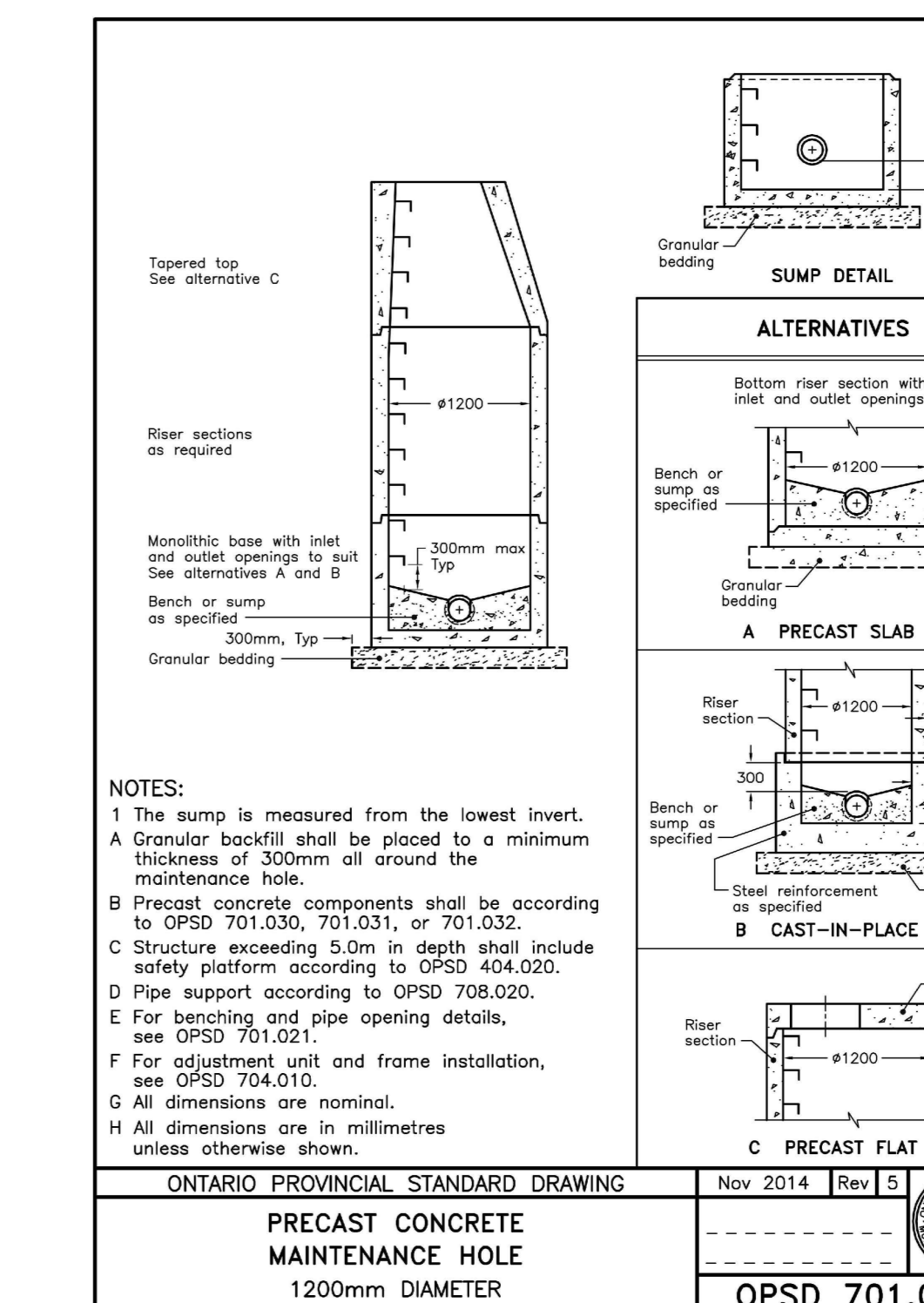
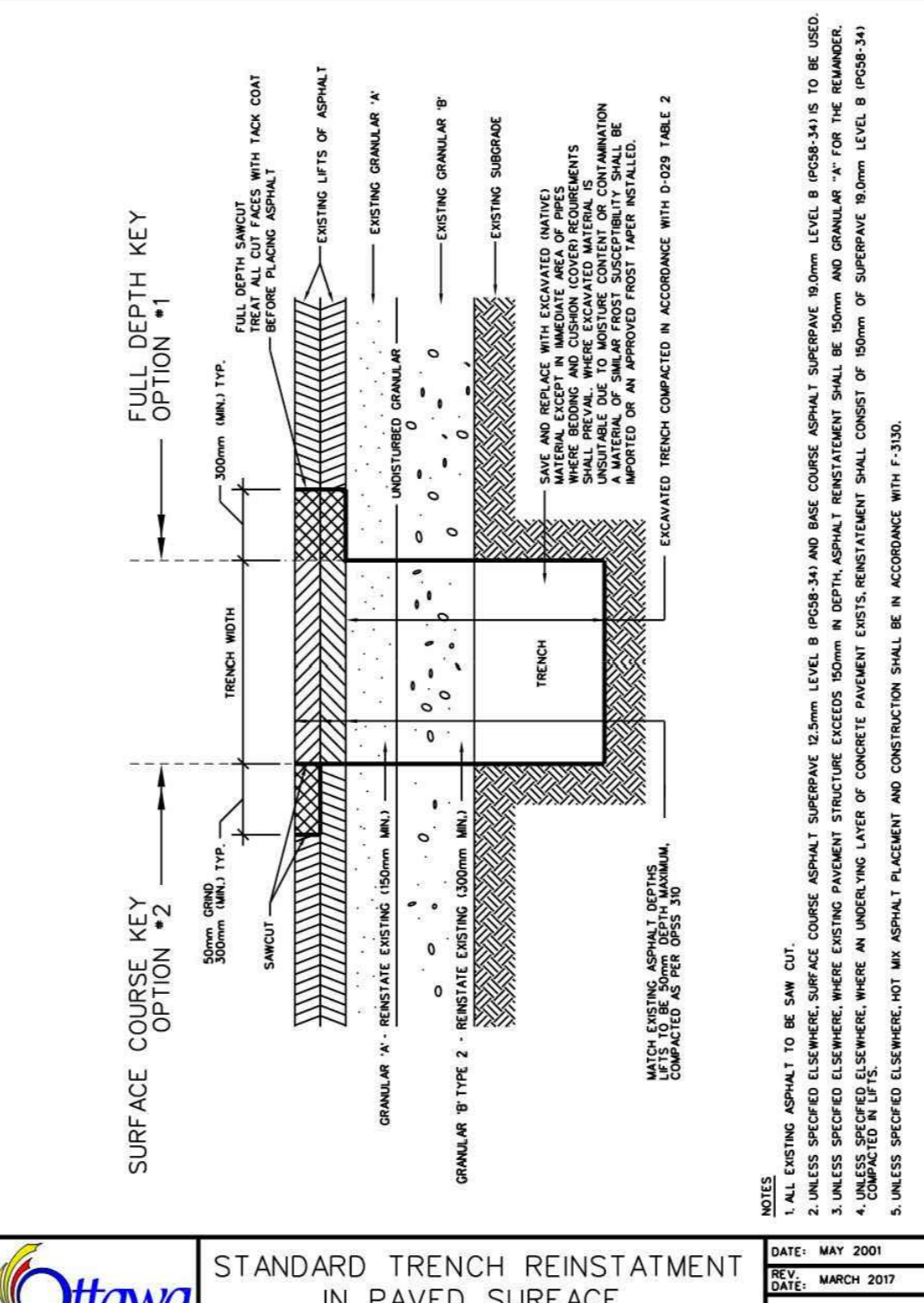
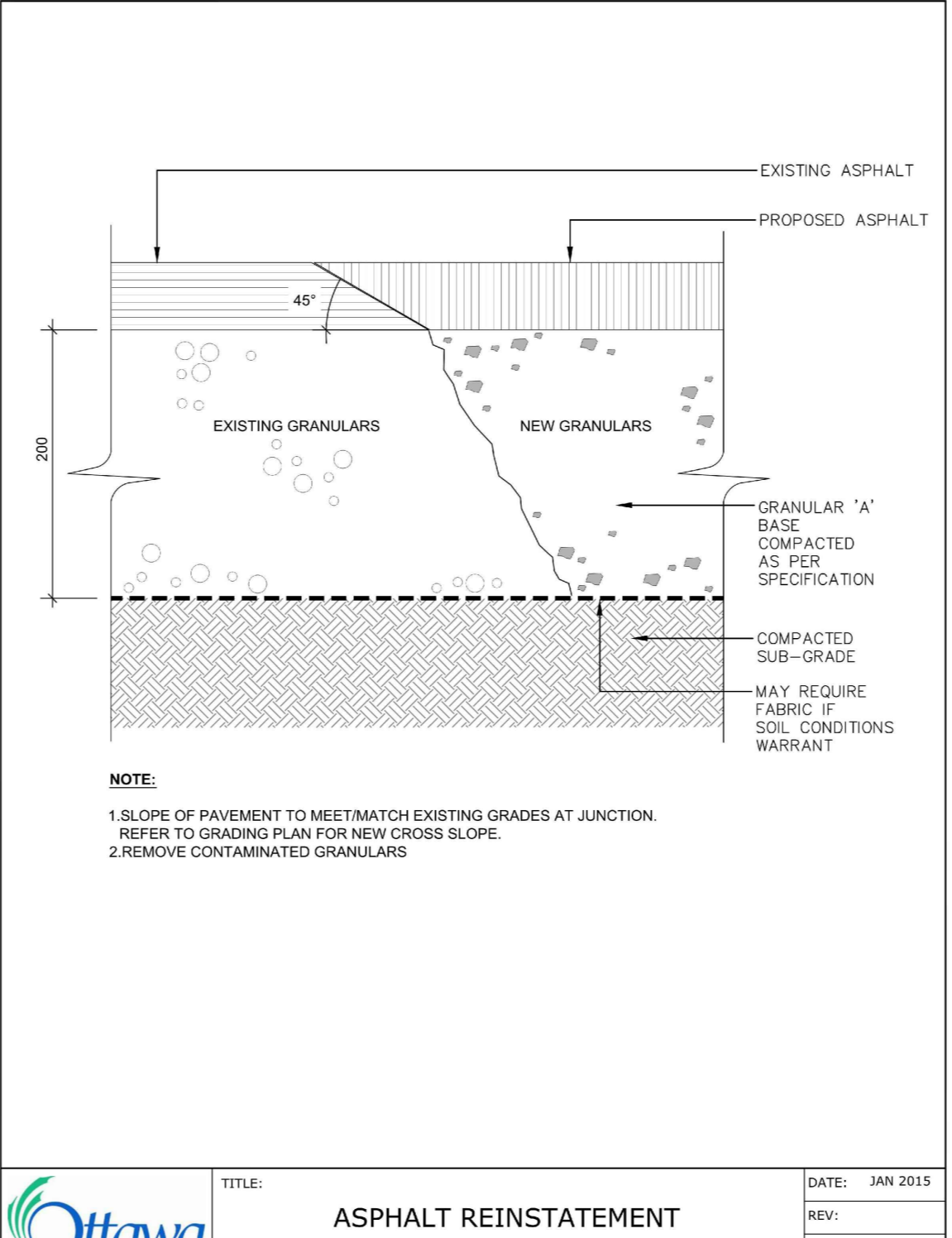
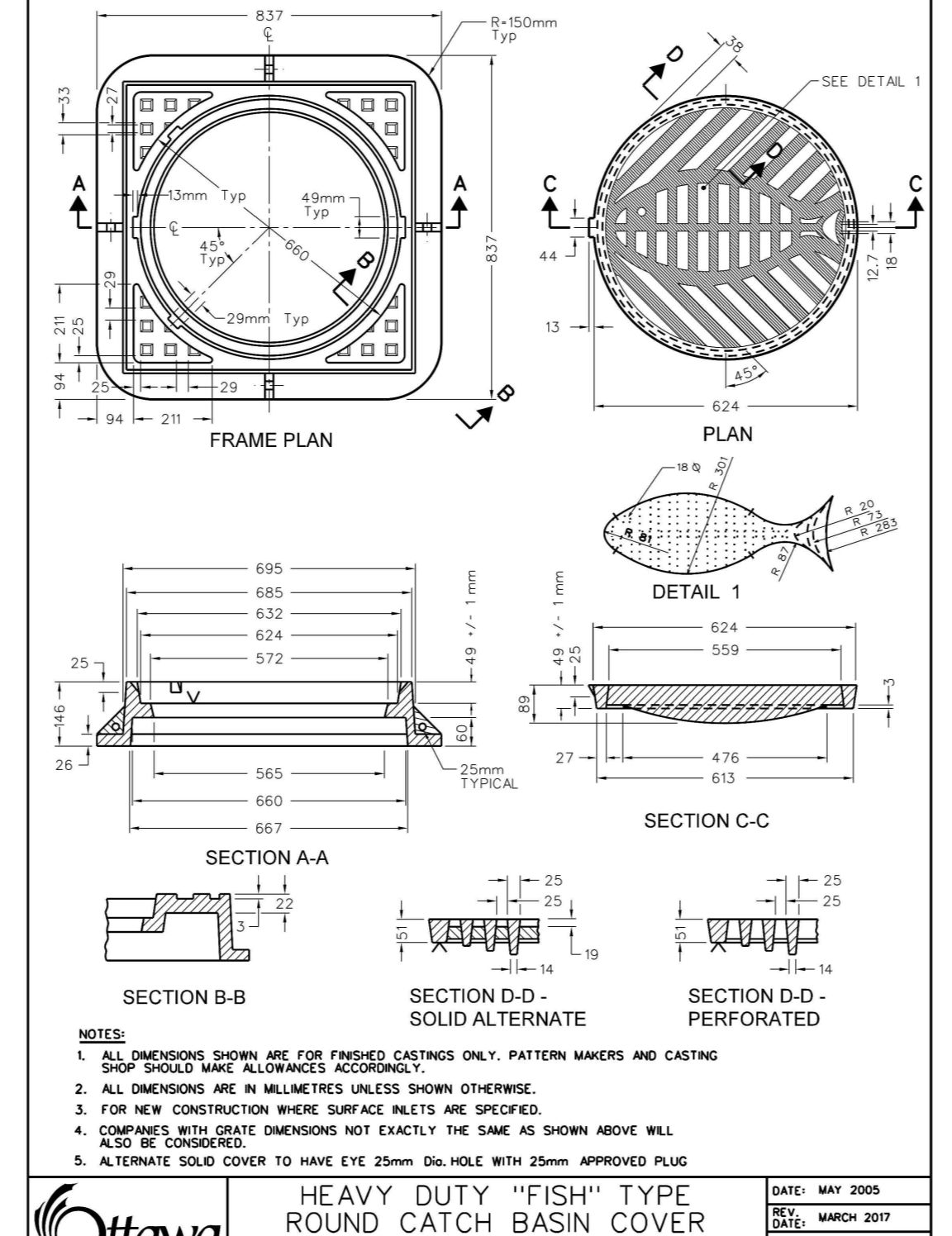
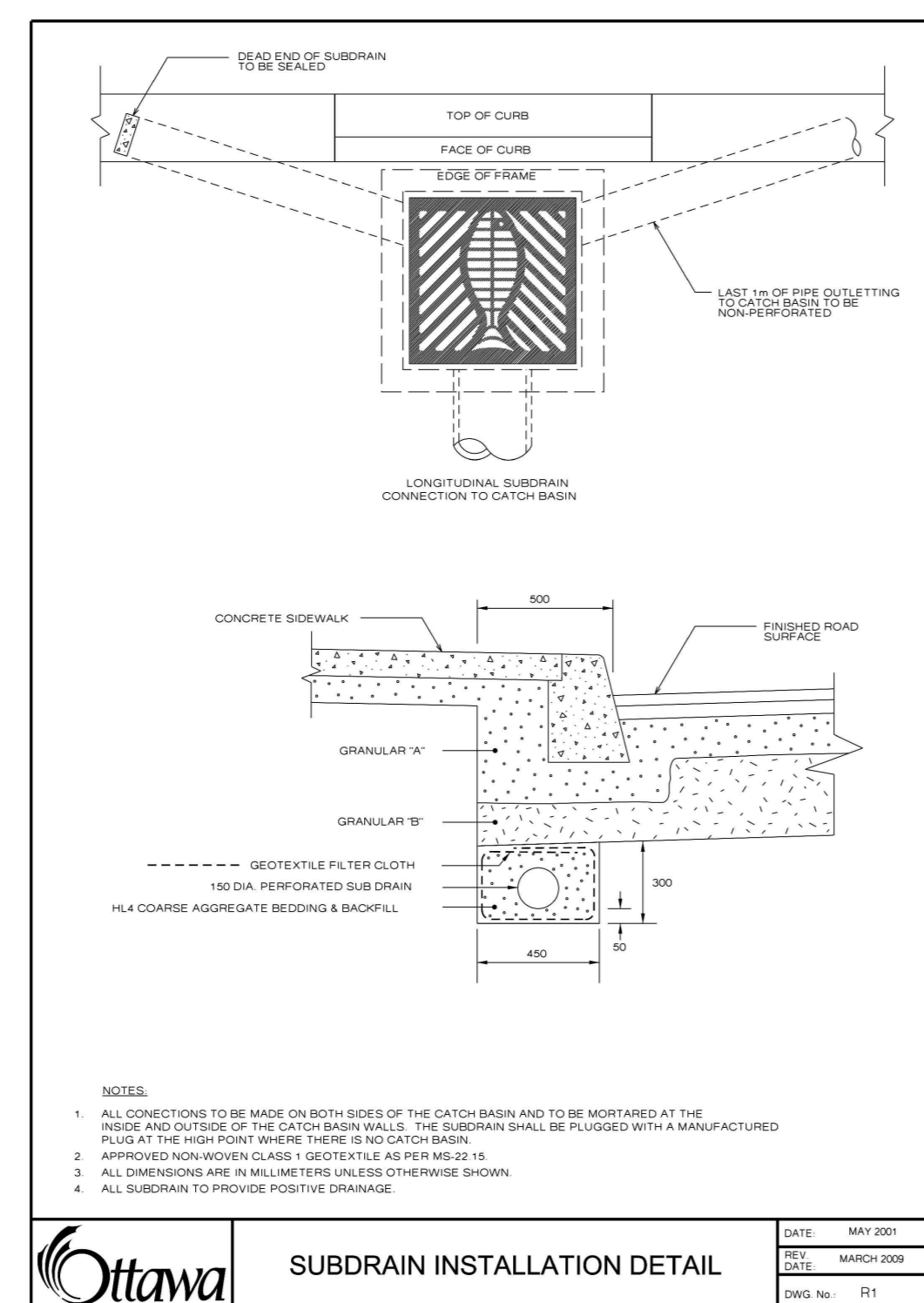
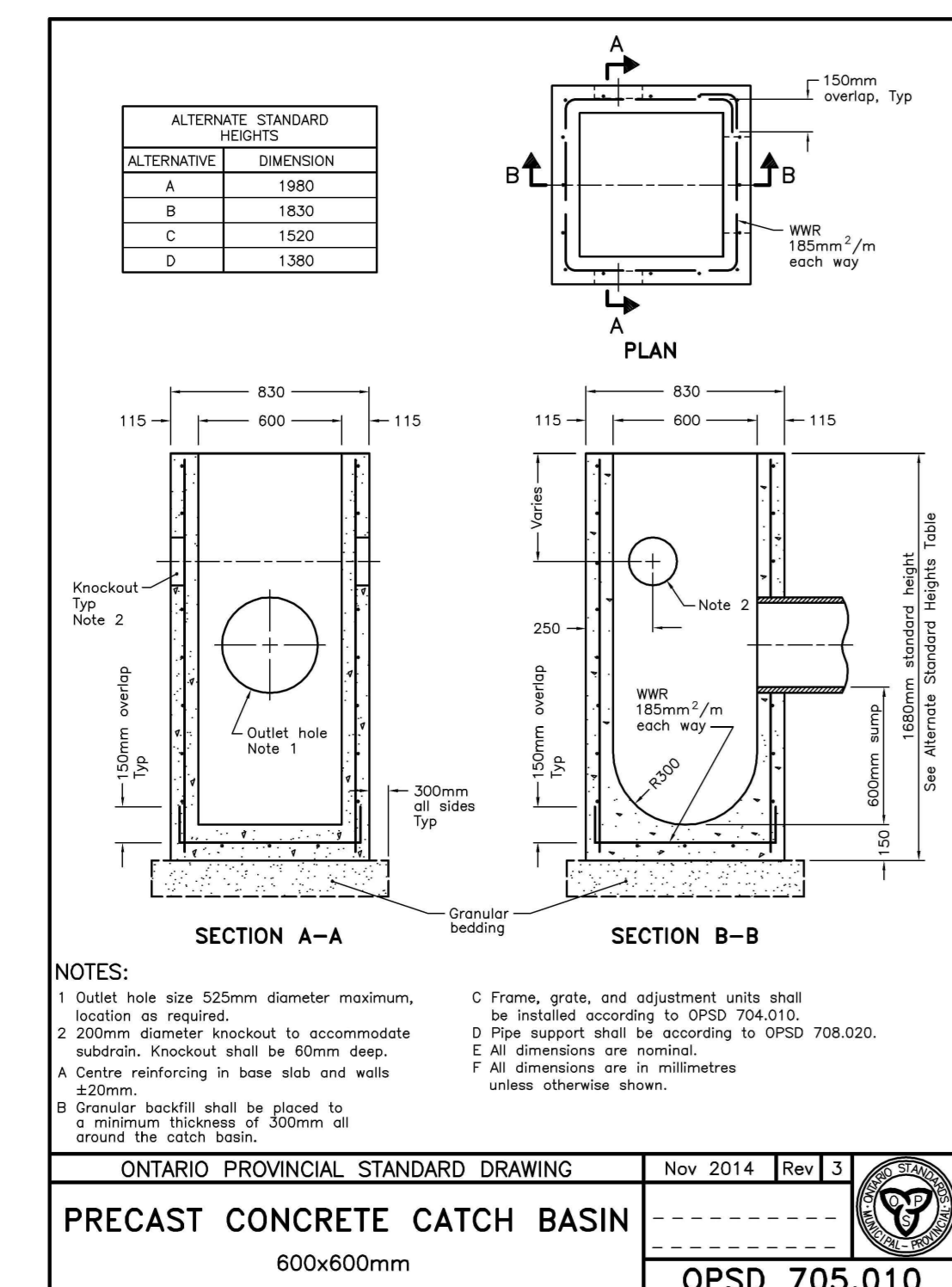
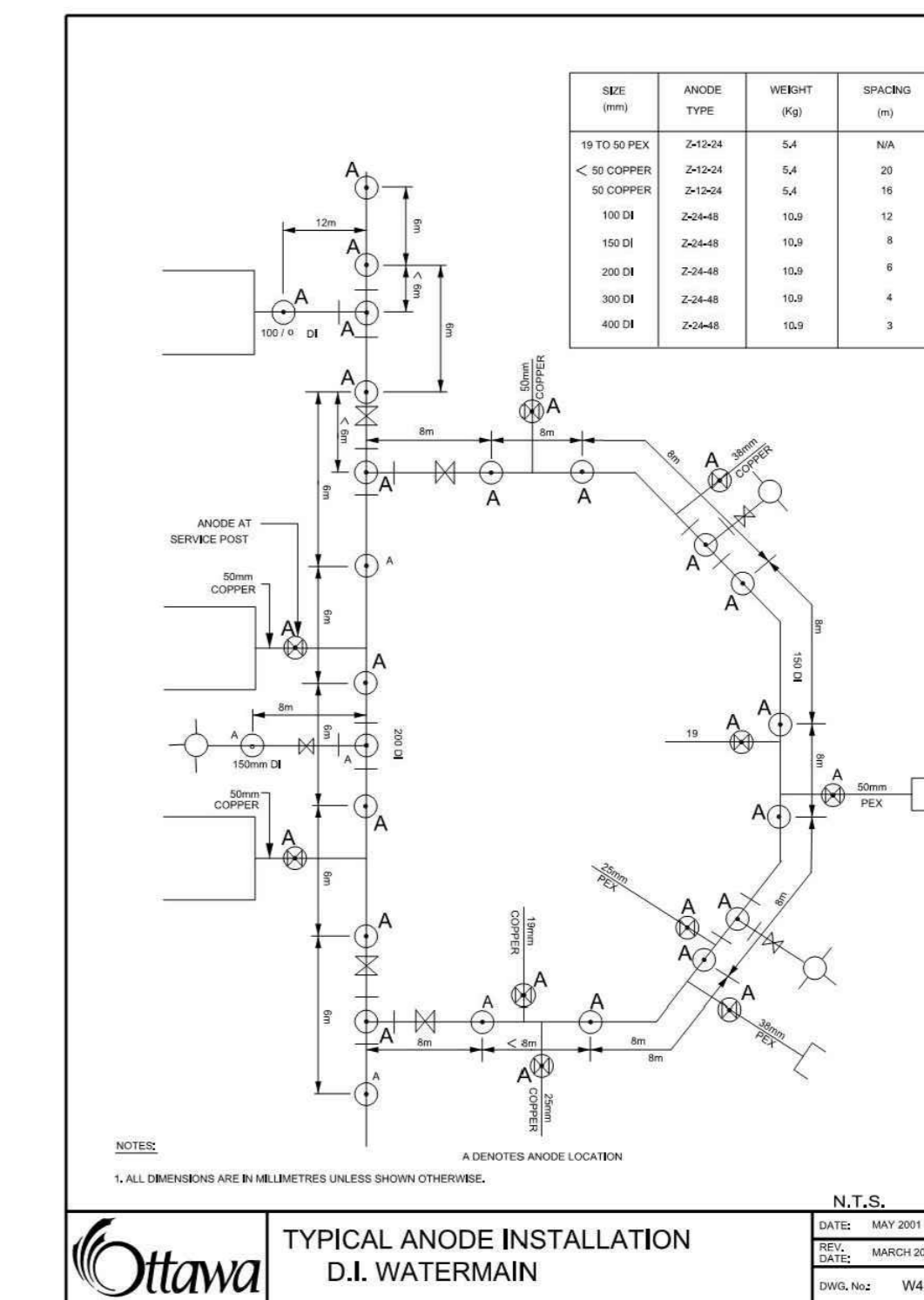
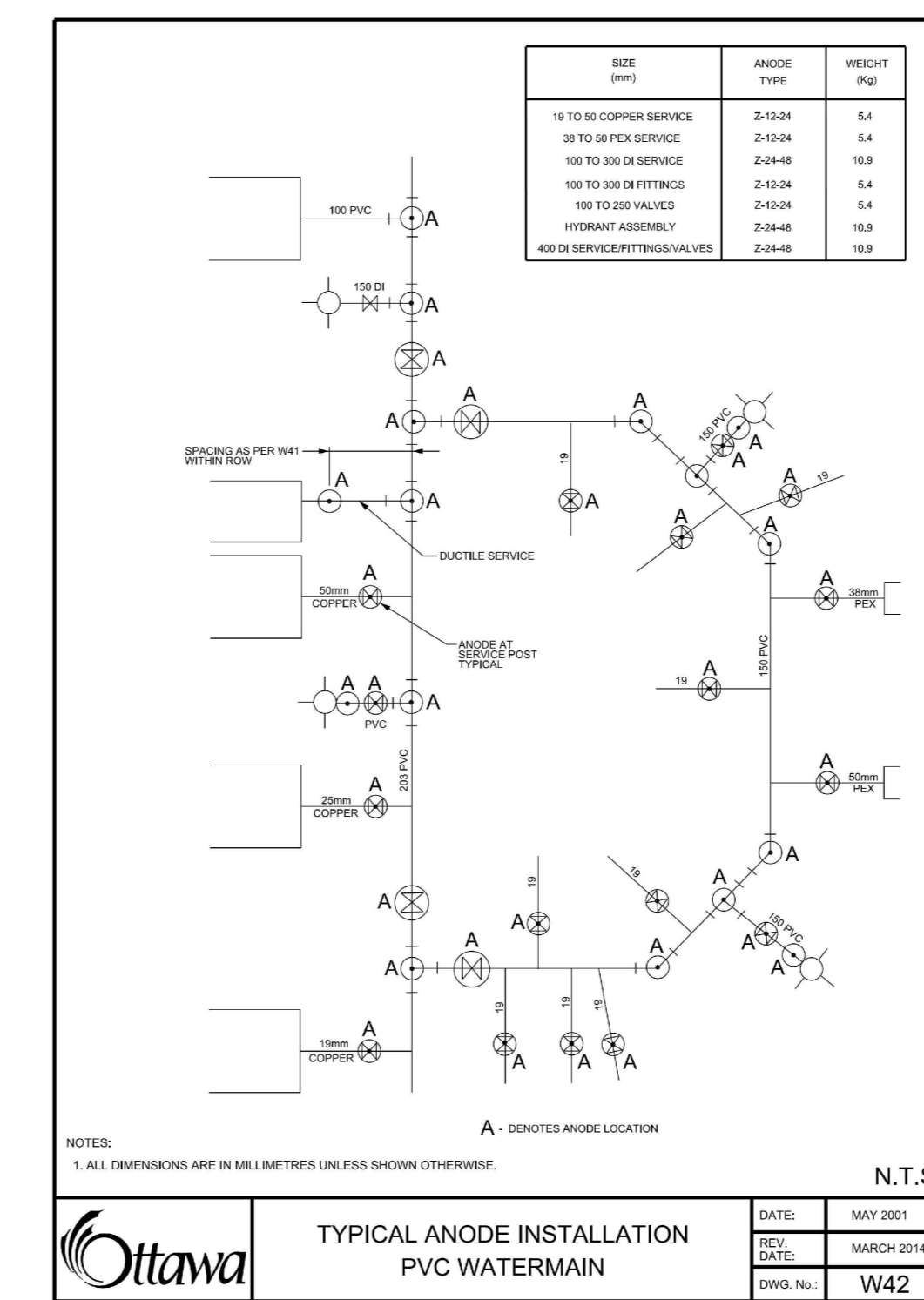
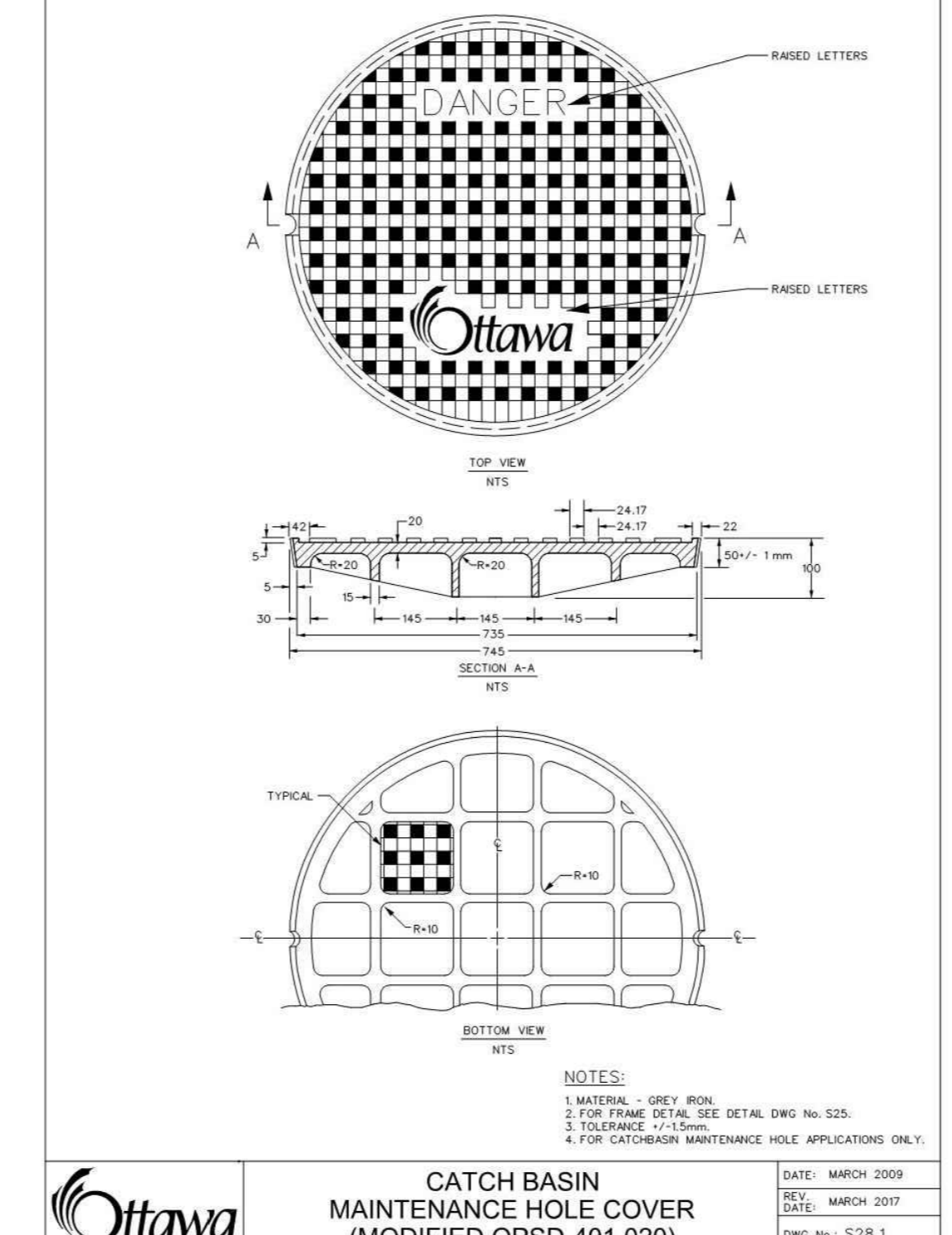
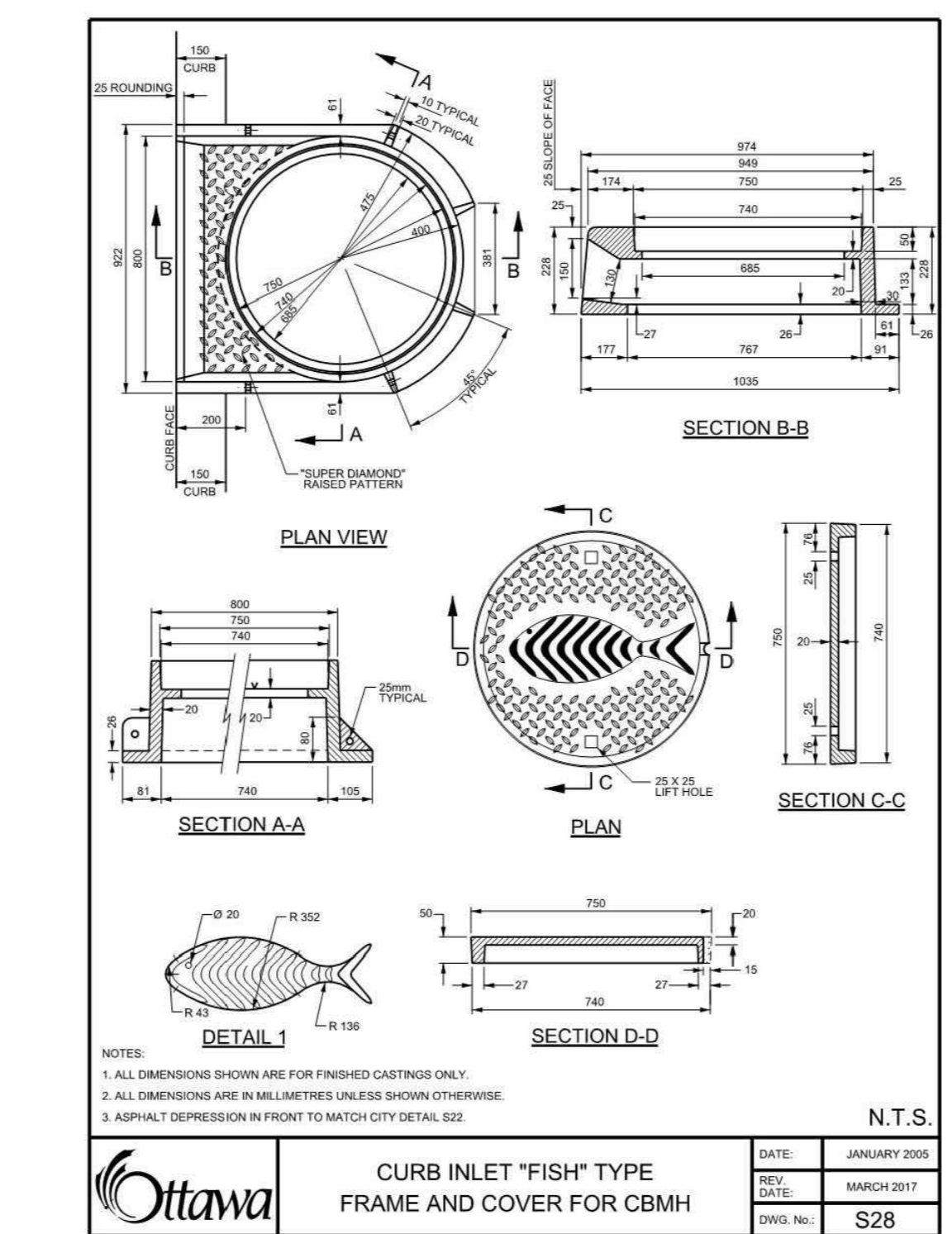
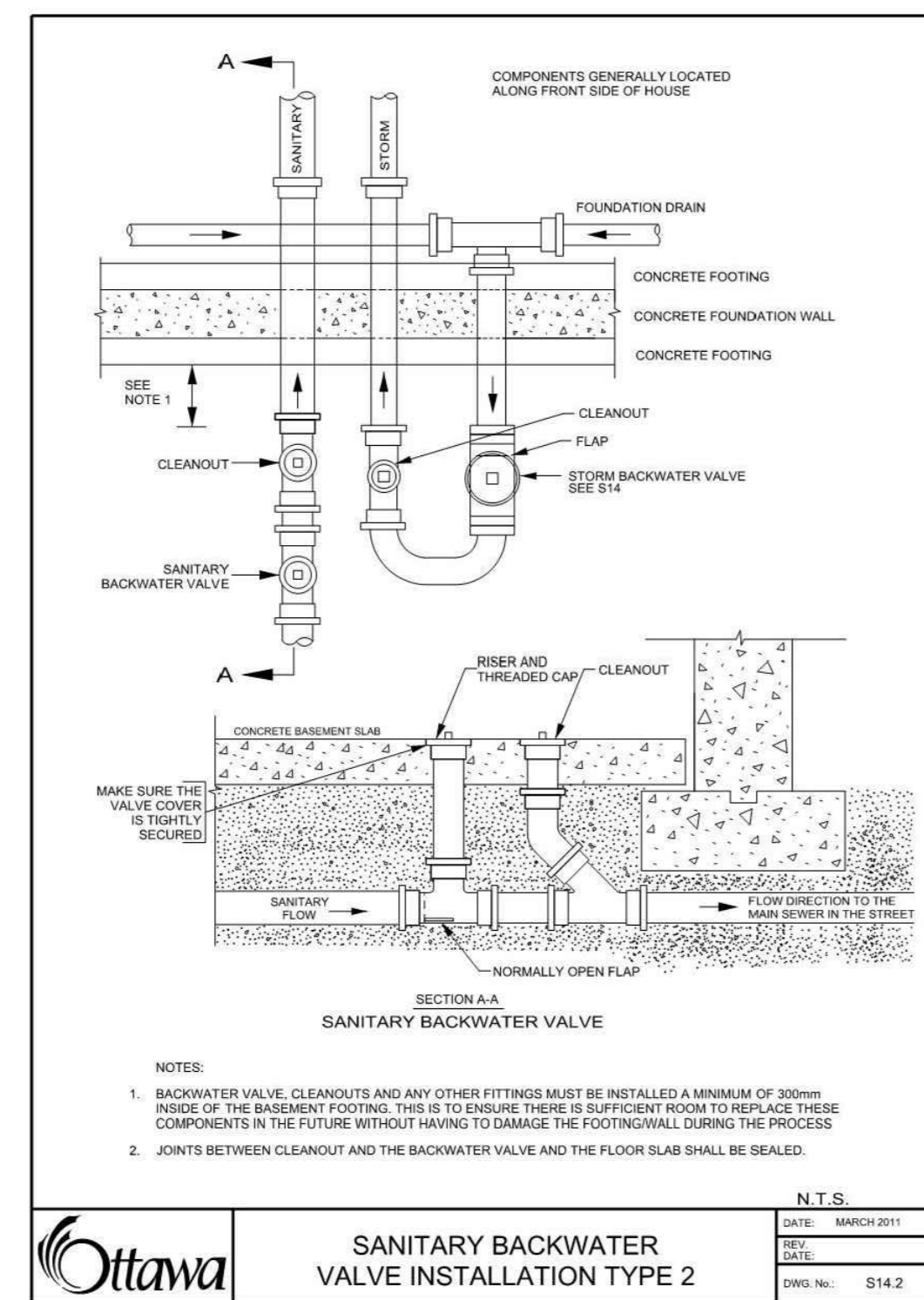
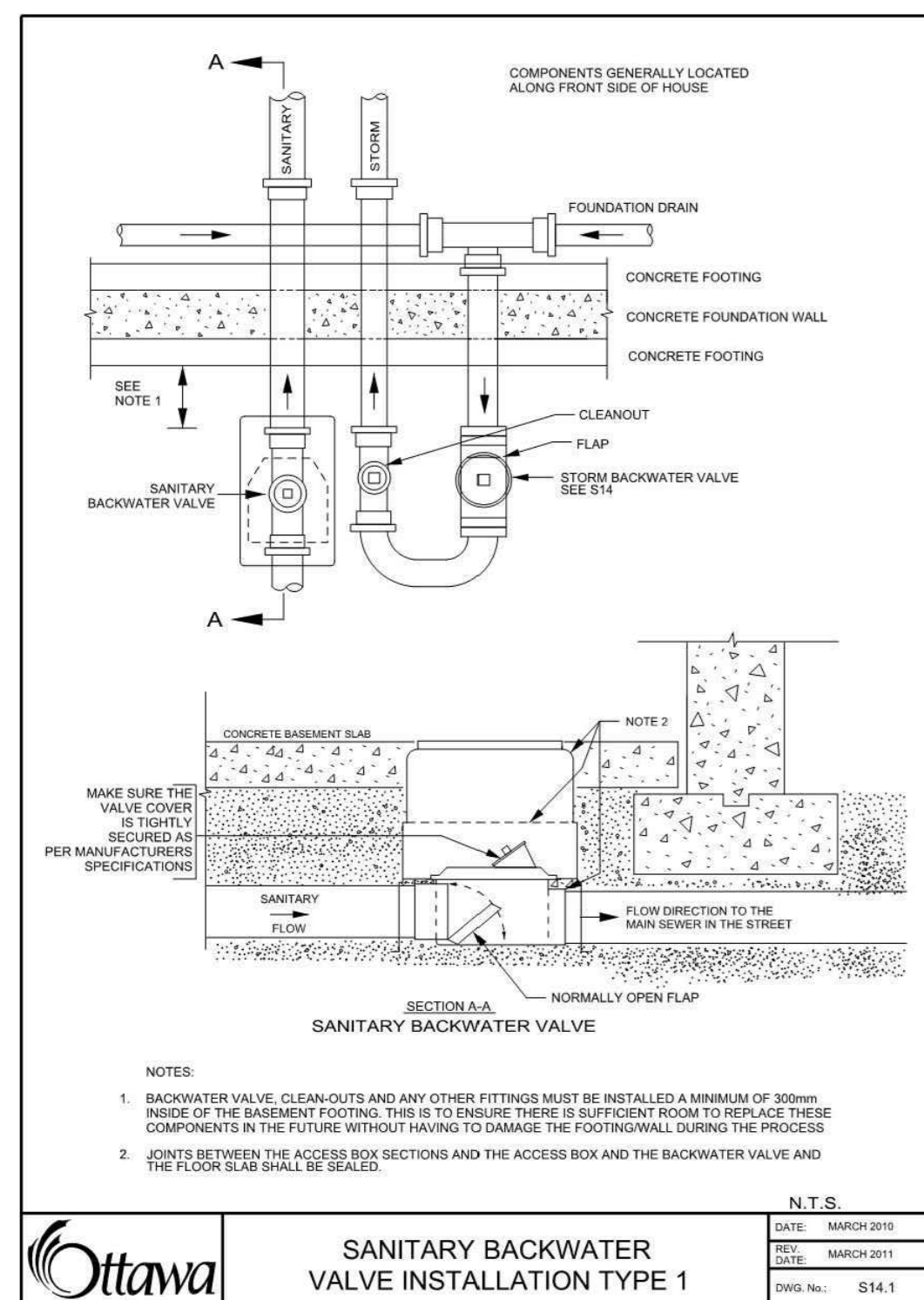
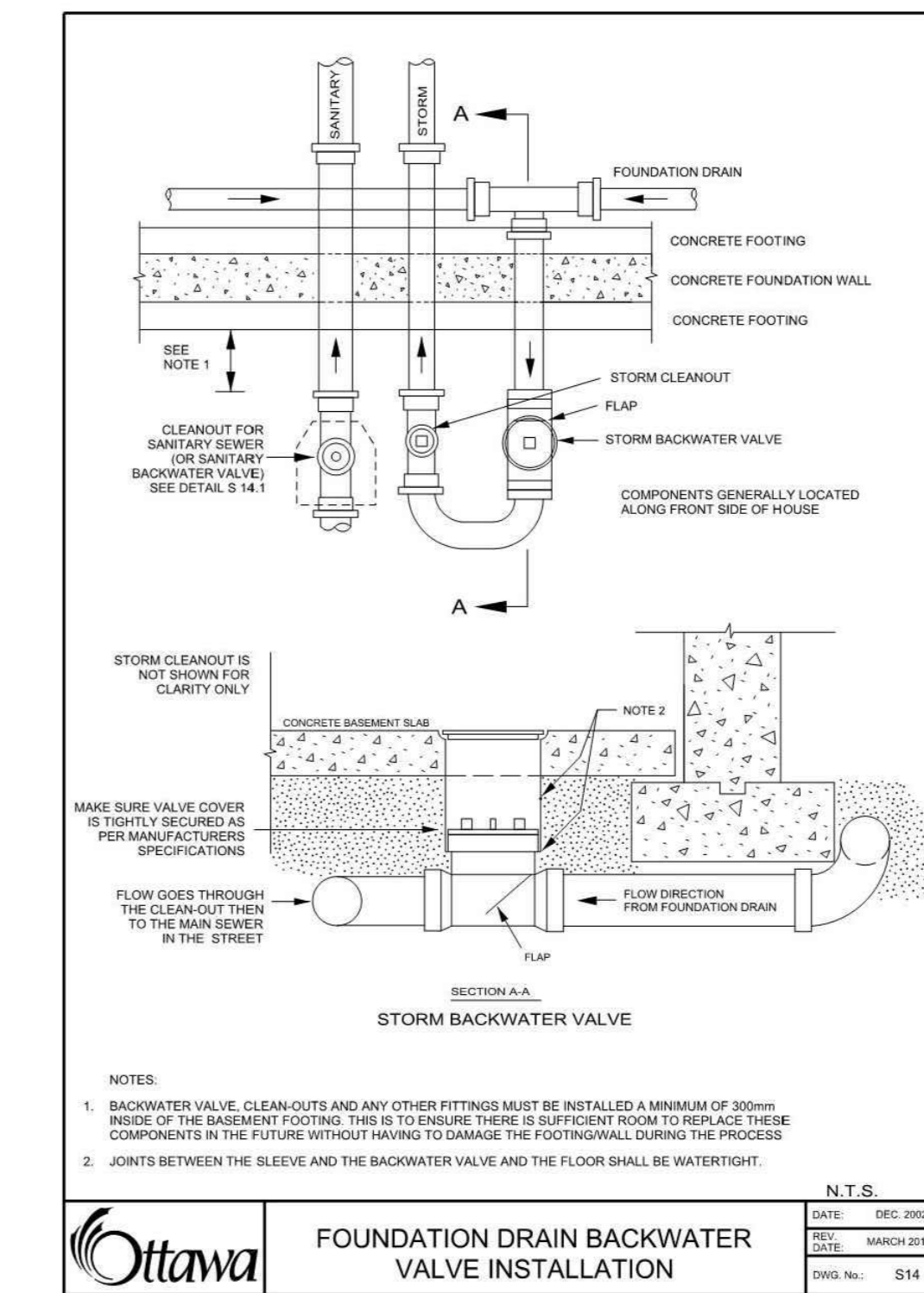
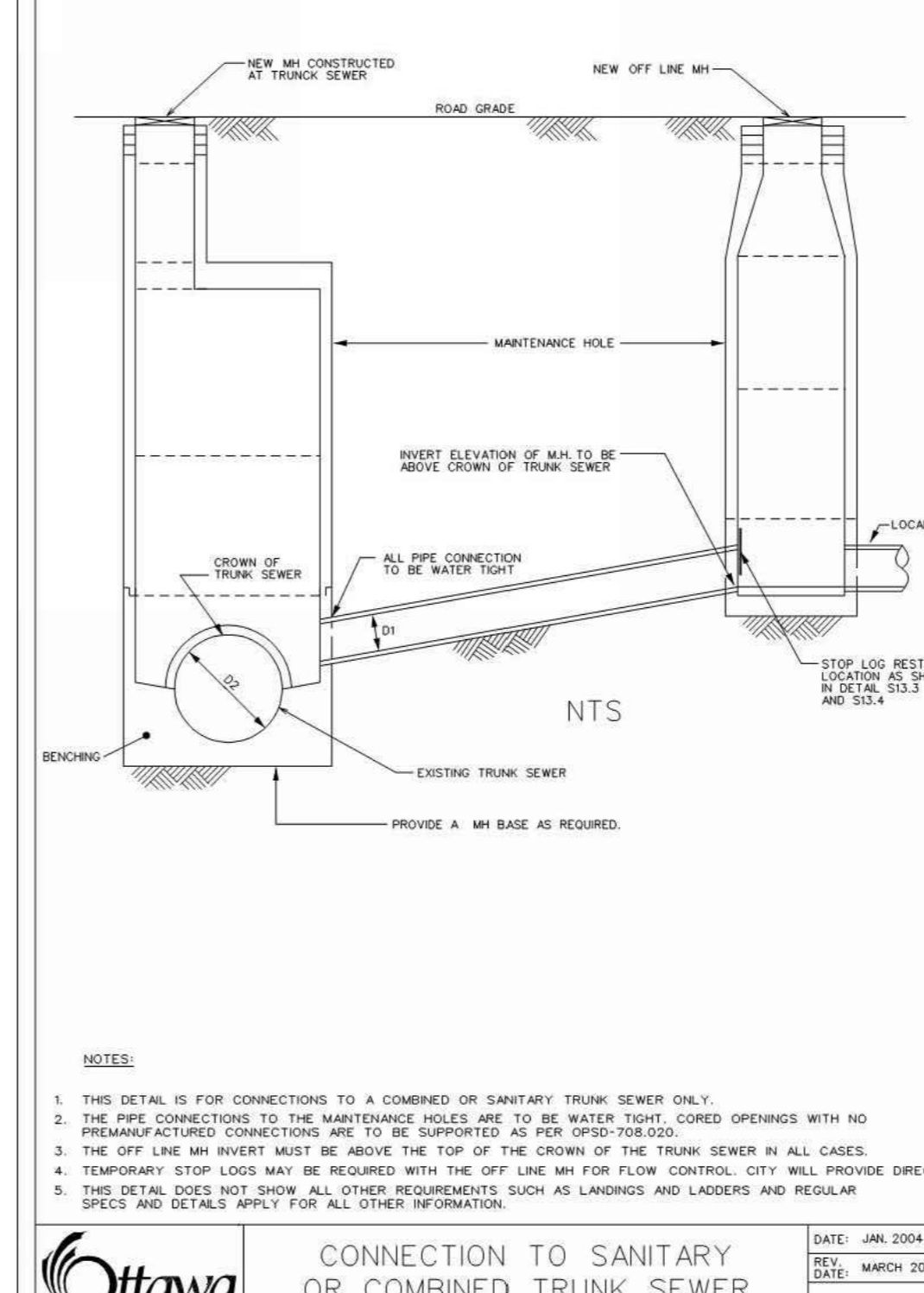
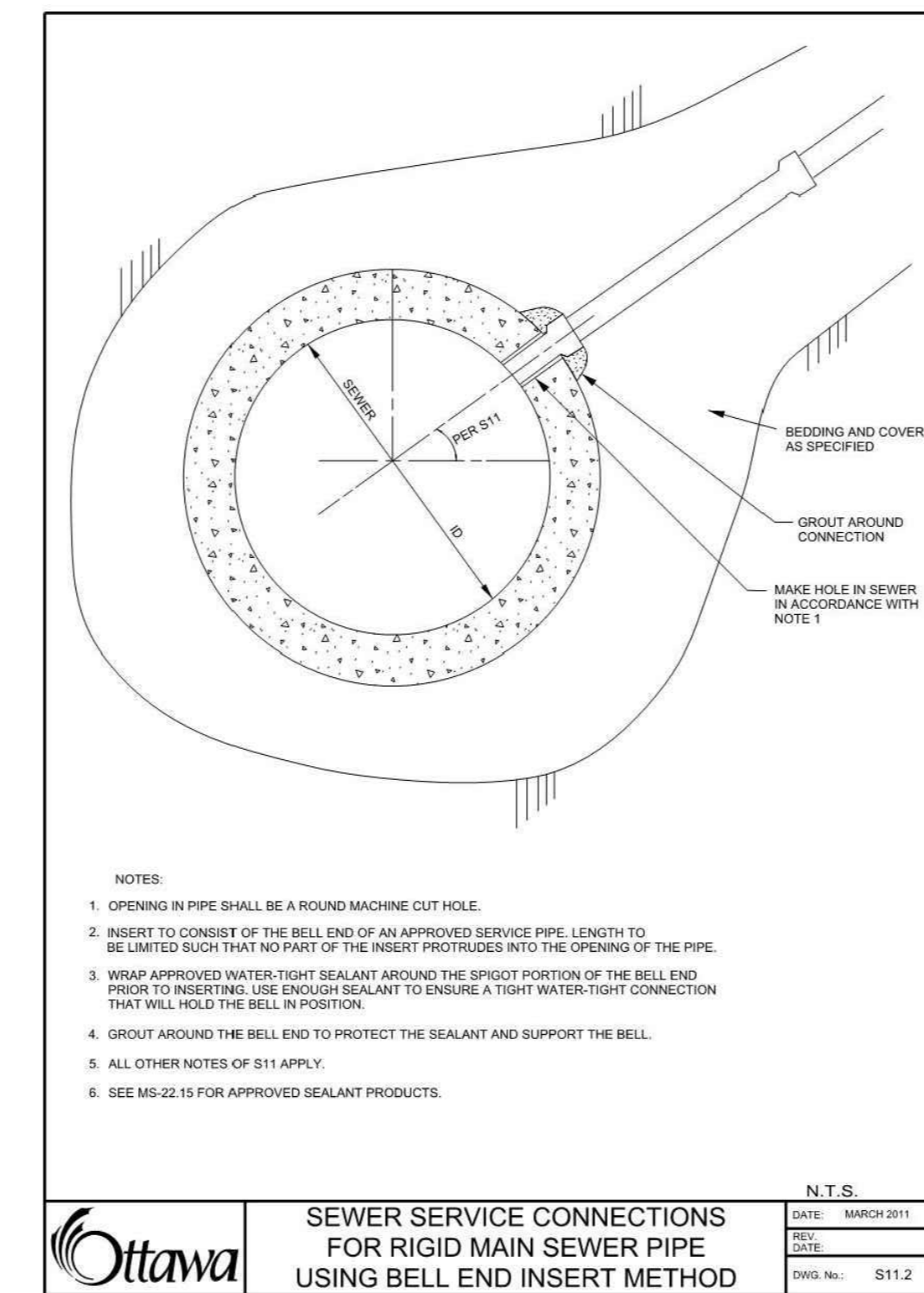
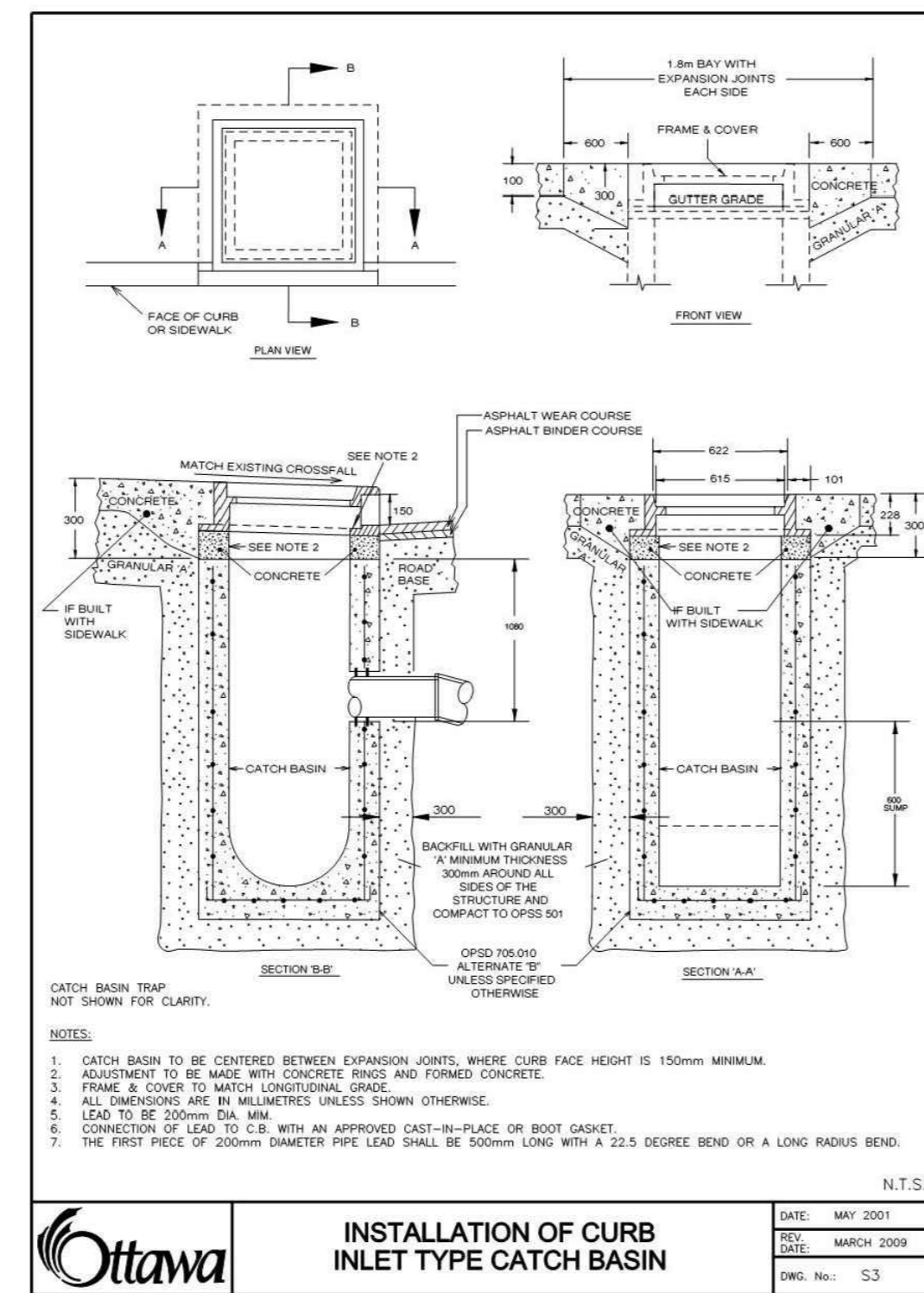
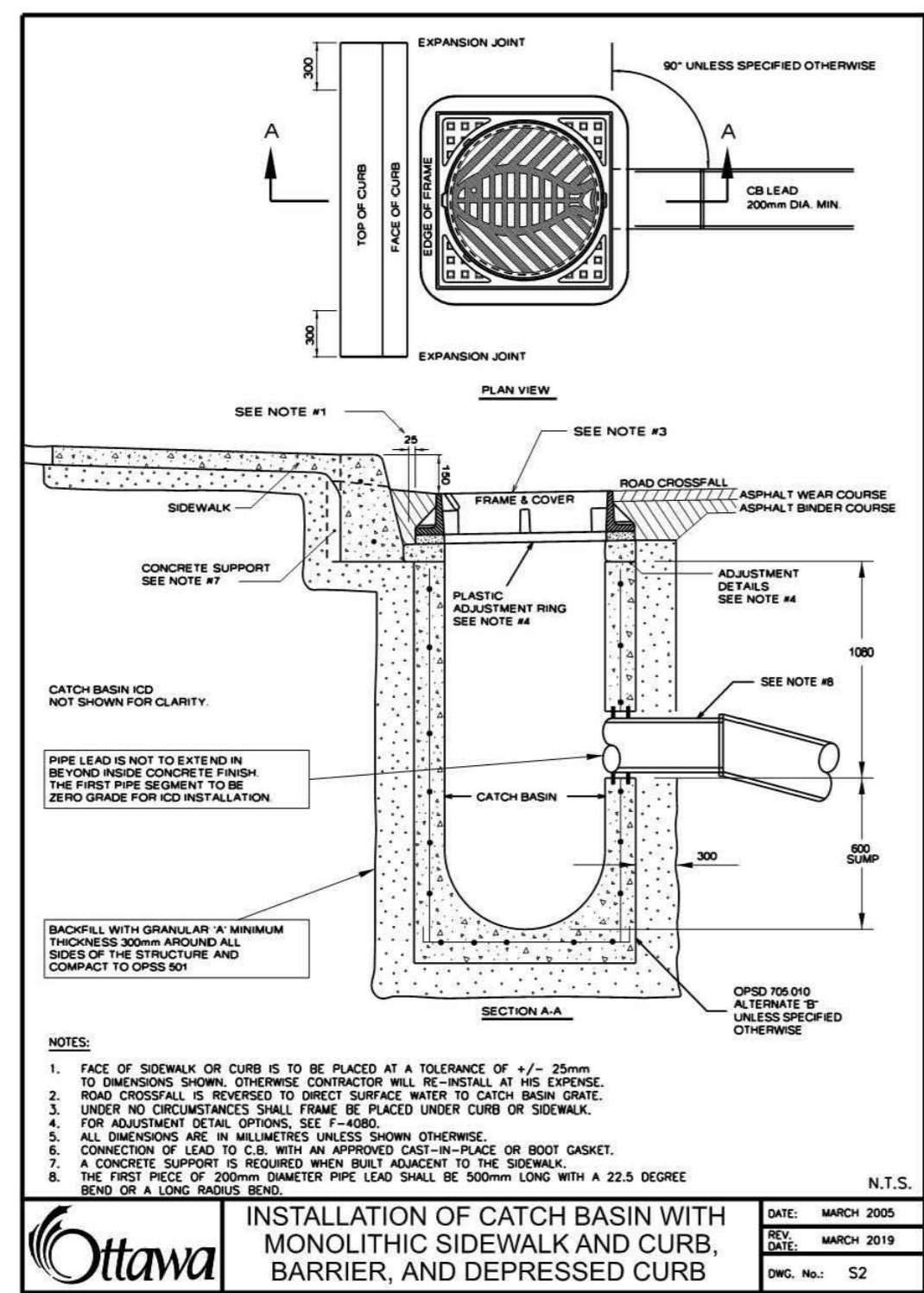
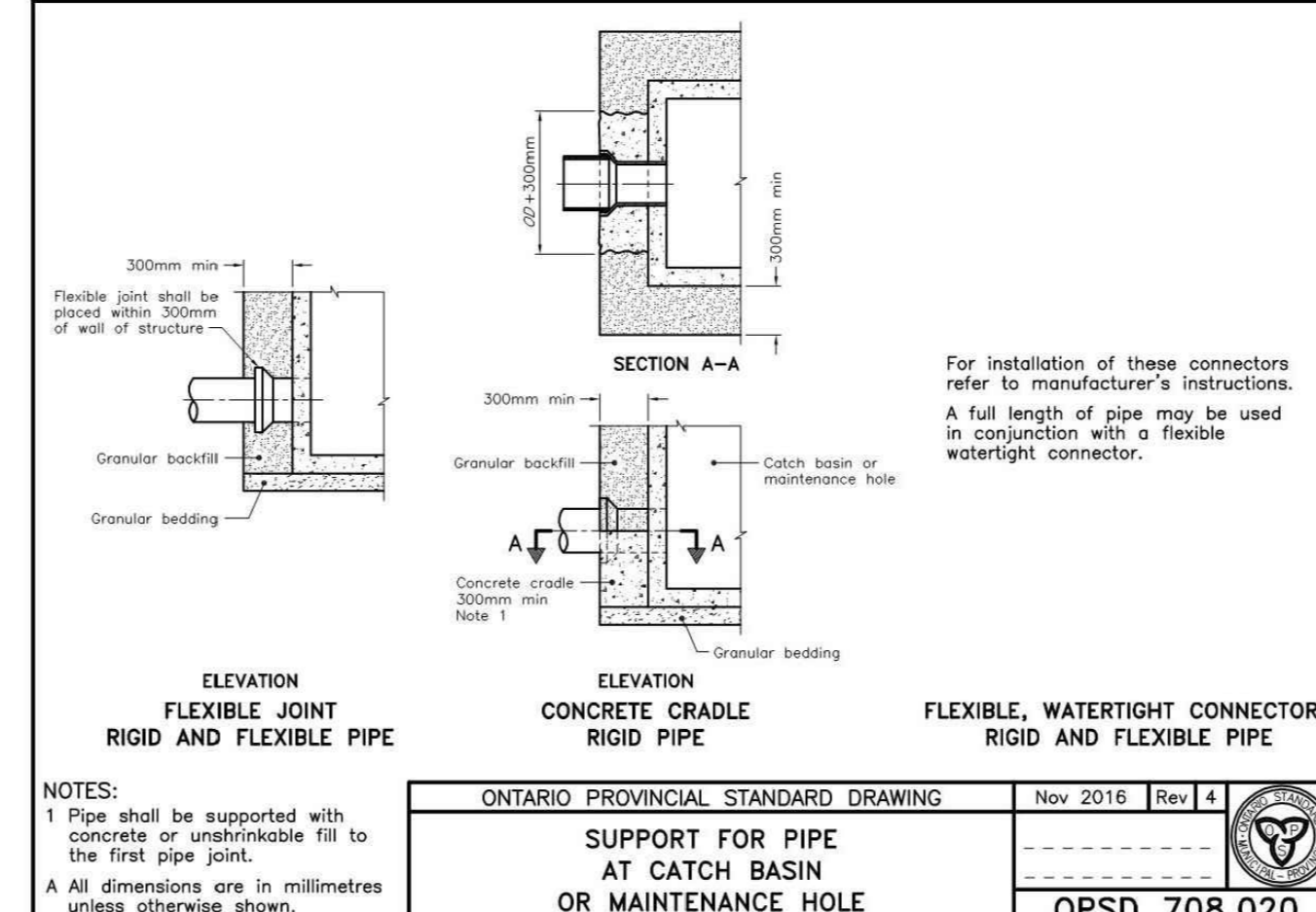
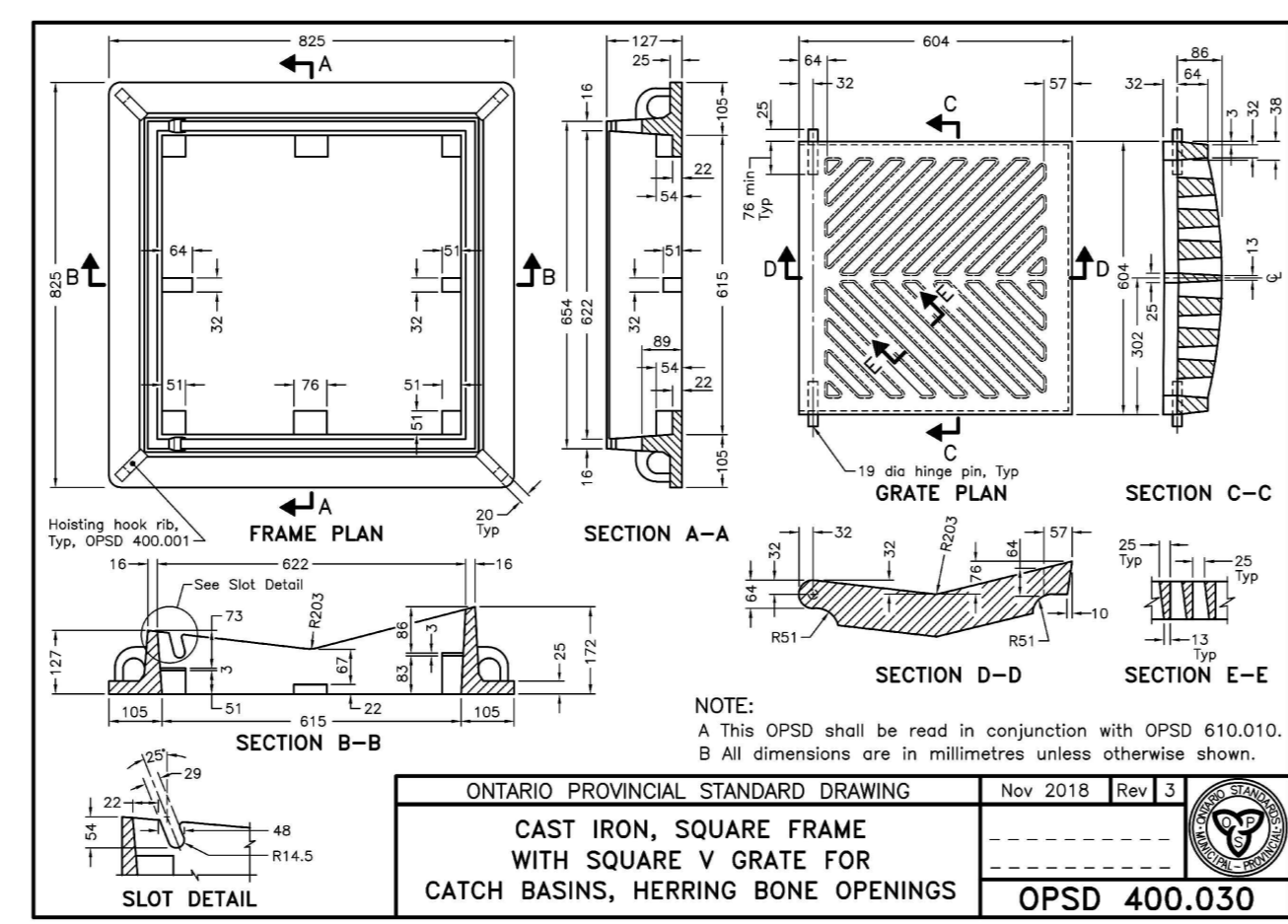


Saïde Sayah

SAÏDE SAYAH
MANAGER, CENTRAL BRANCH
PLANNING, INFRASTRUCTURE & ECONOMIC
DEVELOPMENT DEPARTMENT, CITY OF OTTAWA

APPROVED
By Saïde Sayah at 12:02 pm, Jun 24, 2020



Contractor to verify all dimensions & conditions on site and immediately notify the departmental representative of all discrepancies.

revisions	description	date
1	ISSUED FOR CITY OF OTTAWA SITE COORDINATION R2	2020/02/19
0	ISSUED FOR CITY OF OTTAWA SITE COORDINATION R1	2020/01/20

A	B	C
A detail no. du détail	B location drawing no. sur dessin no.	C drawing no. dessin no.

project
WEST MEMORIAL BUILDING
REHABILITATION PROJECT

344 WELLINGTON, OTTAWA, ON

drawing
DETAILS (3 OF 3)

Designed By: Concu par
Date: 2018/12/14 (yyyy/mm/dd)
Drawn By: NI Dessiné par
Date: 2018/12/14 (yyyy/mm/dd)
Reviewed By: EE Examiné par
Date: 2018/12/14 (yyyy/mm/dd)
Approved By: Approver Approuvé par
Date: 2018/12/14 (yyyy/mm/dd)
Tender: Tender Soumission
Project Manager: Administrateur de projets
Project no.: No. du projet
R.086471.405
Drawing no.: No. du dessin
C-004