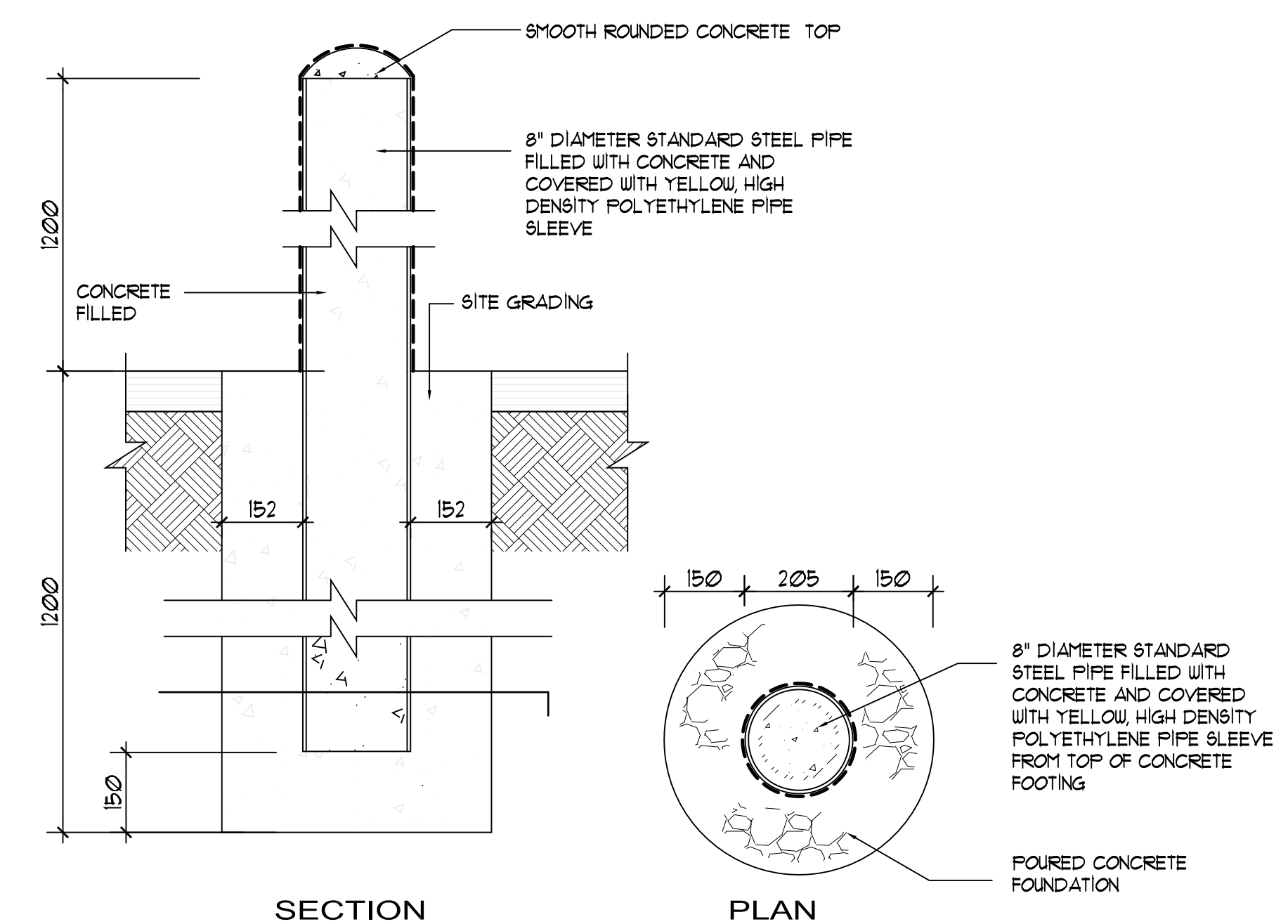
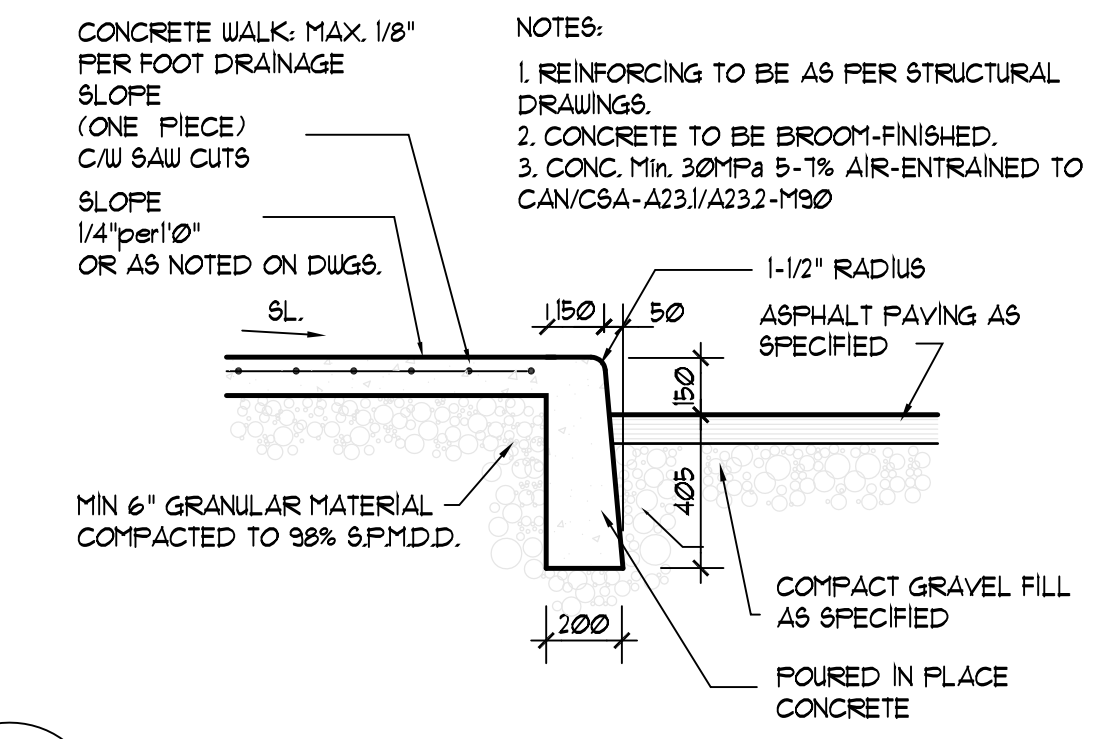


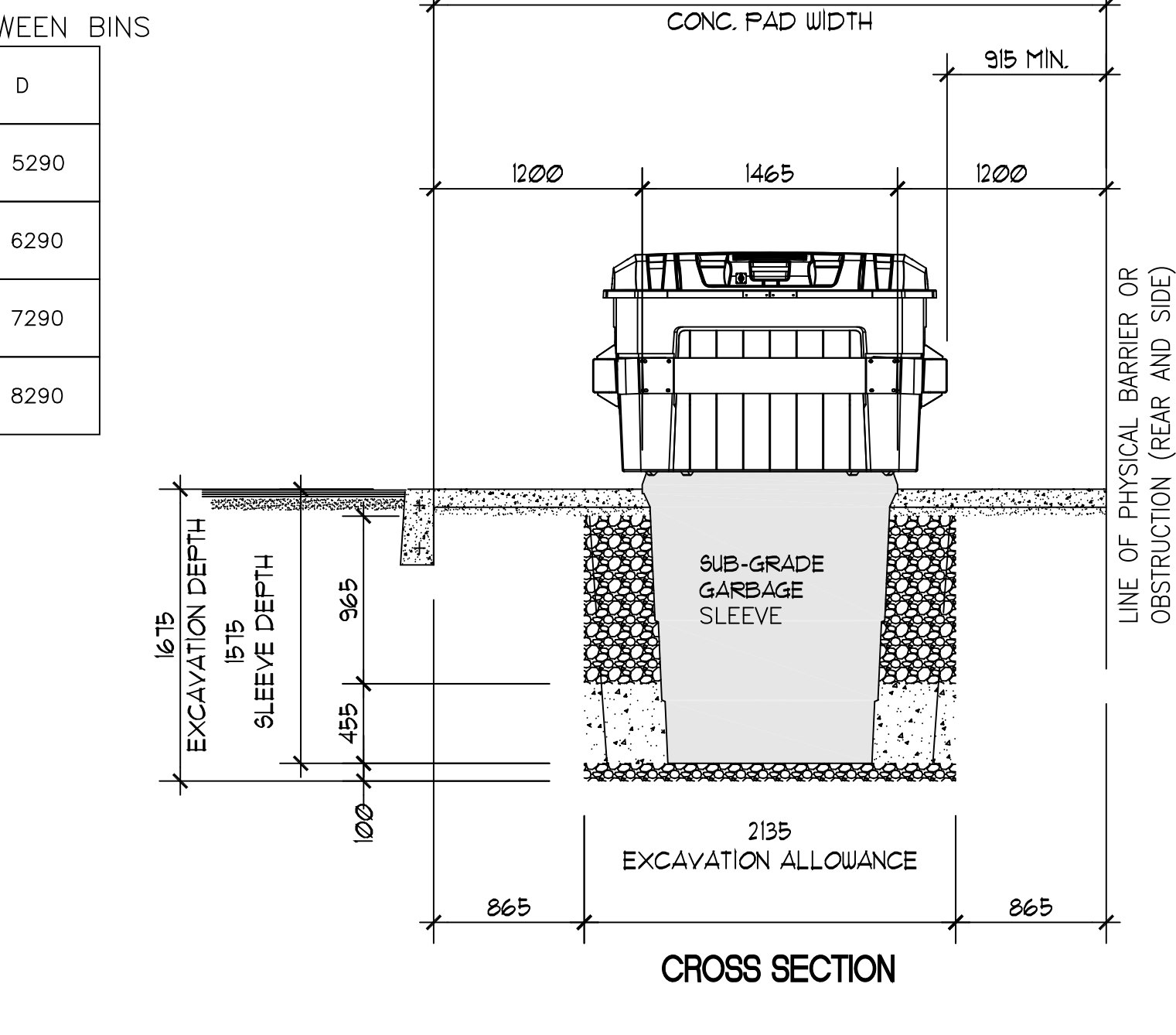
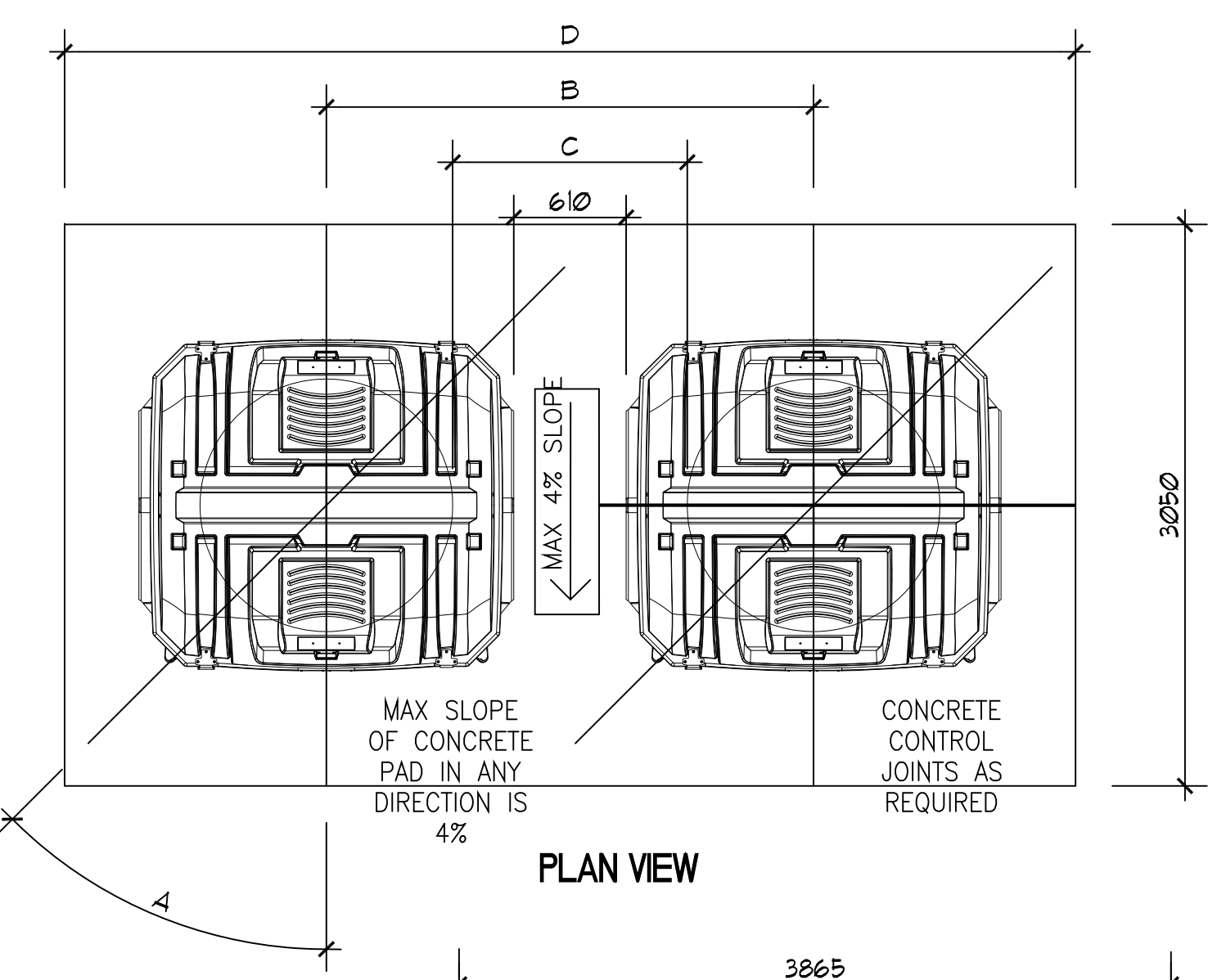
**1 ENLARGED SITE PLAN**  
**A102** PAD B SCALE 1:300



**4 DETAIL**  
**A102** CONC. FILLED STEEL BOLLARD 1:10



**2 DETAIL**  
**A102** MONOLITHIC CONC. CURB 1:10

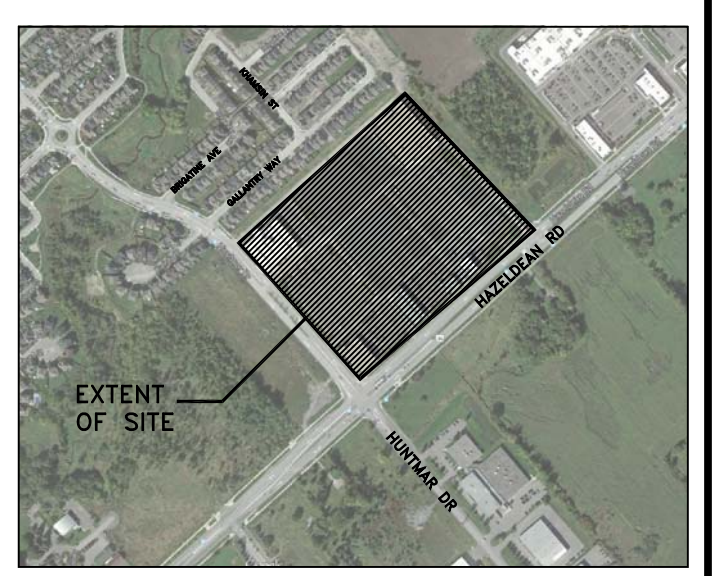


**3 DETAIL**  
**A102** SEMI-BURIED WASTE CONTAINER N.T.S.

MINIMUM DIMENSIONS BETWEEN BINS

A	B	C	D
0'	2645	1275	5290
15'	2740	1365	6290
30'	3055	1685	7290
45'	3865	2495	8290

*Colette Gorni*  
**COLETTE GORNI**  
 PLANNER I  
 PLANNING, INFRASTRUCTURE & ECONOMIC  
 DEVELOPMENT DEPARTMENT, CITY OF OTTAWA  
**APPROVED**  
 By Colette Gorni at 9:28 am, Aug 10, 2020



NO.	BY	DATE	ISSUED
1	AB	03NOV08	FOR SPA
2	AB	12JUN09	FOR SPA
3	AB	14DEC09	FOR SPA
4	AB	25MAR10	FOR SPA
5	CIA	01APR10	FOR SPA
6	AB	28JUL10	FOR SPA
7	AB	09AUG11	REVISED CRU A
8	AB	7DEC11	FOR SPA
9	AB	24FEB12	FOR SPA
10	AB	14NOV12	FOR SPA
11	AB	8JAN13	FOR SPA
12	AB	13MAY13	FOR SPA
13	AB	15MAY14	FOR SPA
14	AB	9.SEP.14	FOR SPA
15	AB	27.OCT.14	EXPANSION
16	AB	3.MAR.16	BLDG 1 AND 2
17	AB	7.JUL.17	SPA
18	AB	8.SEP.17	SPA
19	AB	3.NOV.17	SPA
20	AB	9.SEP.19	SPA
21	AB	9.JAN.2020	SPA
22	AB	27.MAR.2020	SPA

VERIFY ALL DIMENSIONS AND CONDITIONS AT THE JOB. DO NOT SCALE PRINTS.  
 PLANS AND SPECIFICATIONS ARE THE PROPERTY OF THE ARCHITECT AND MUST BE RETURNED AT COMPLETION OF THE WORK OR UPON REQUEST.  
 THIS DRAWING MUST NOT BE USED FOR CONSTRUCTION UNLESS APPROVED AT RIGHT.  
 APPROVED: \_\_\_\_\_ DATE: \_\_\_\_\_

**SCOLER LEE + ASSOCIATES ARCHITECTS INC.**  
 SITE 900, 60 ST. CLAIR AVE. E TEL: (416) 362-7753  
 TORONTO, ONTARIO M4T 1N5 FAX: (416) 362-8519

PROJECT  
 COMMUNITY RETAIL DEVELOPMENT  
 5705 HAZELDEAN ROAD  
 WEST KANATA, ONTARIO

DRAWING TITLE  
 ENLARGED SITE PLAN  
 PAD B  
 SITE DETAILS

	DRAWN	JL	FOLD
	CHECKED	AB	03007
	DATE	JAN 16	DWG. NO.
	SCALE	7172	A102
		AS NOTED	

X-REFS: R14  
 DRAWINGS REVISED: LAST UPDATED: