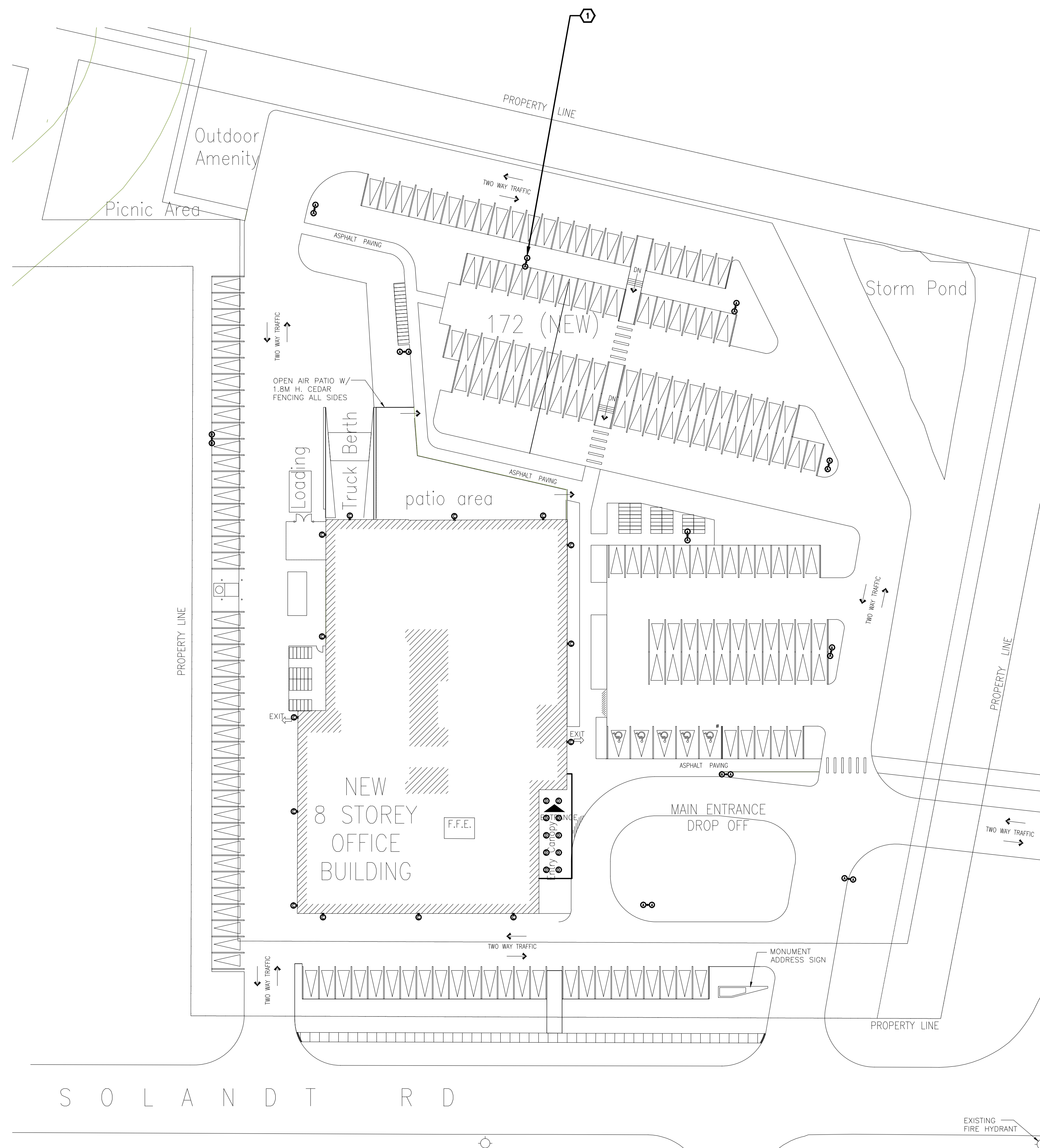
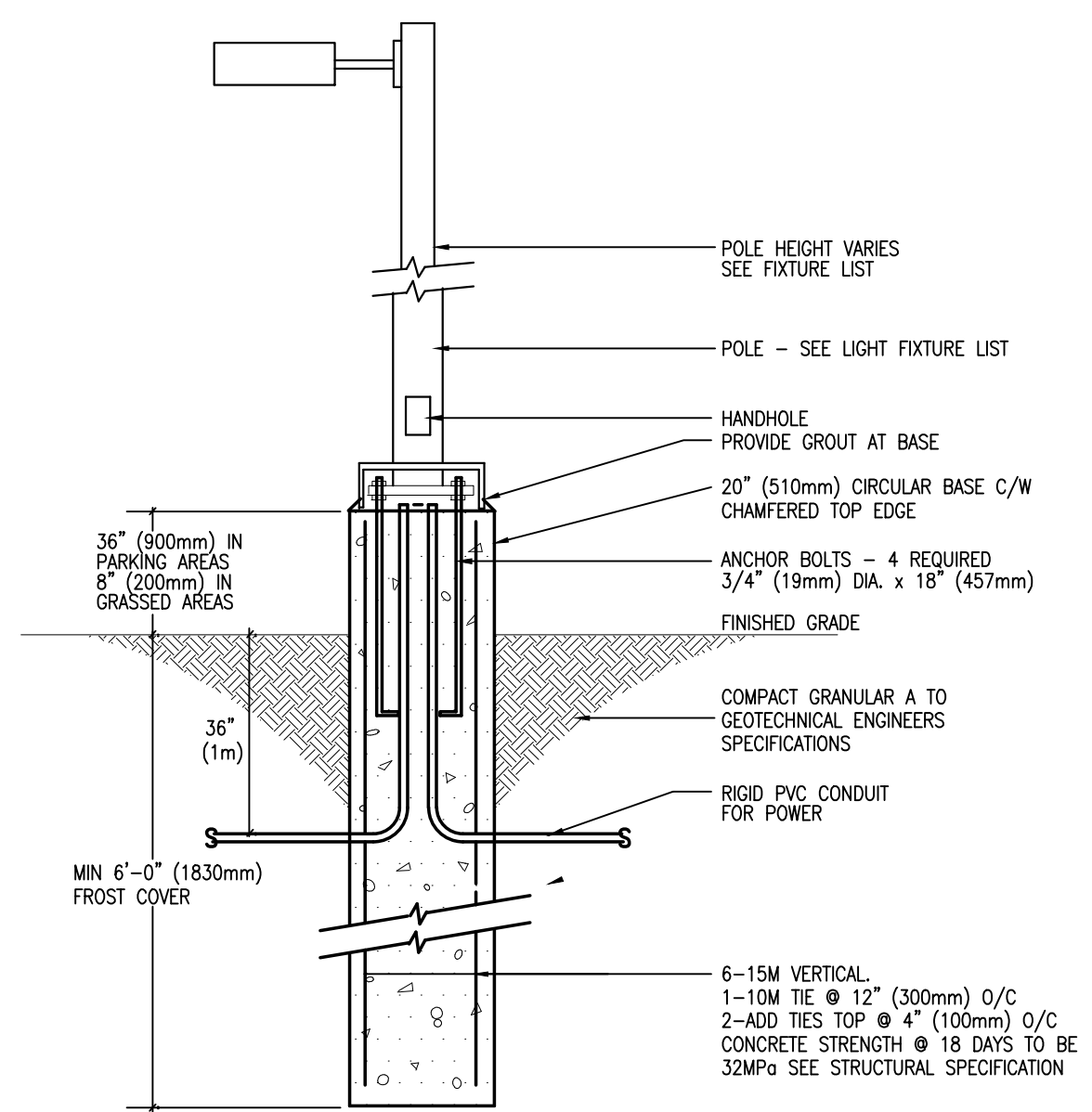


NEW OFFICE BUILDING 2707 SOLANDT RD., KANATA, ON ELECTRICAL

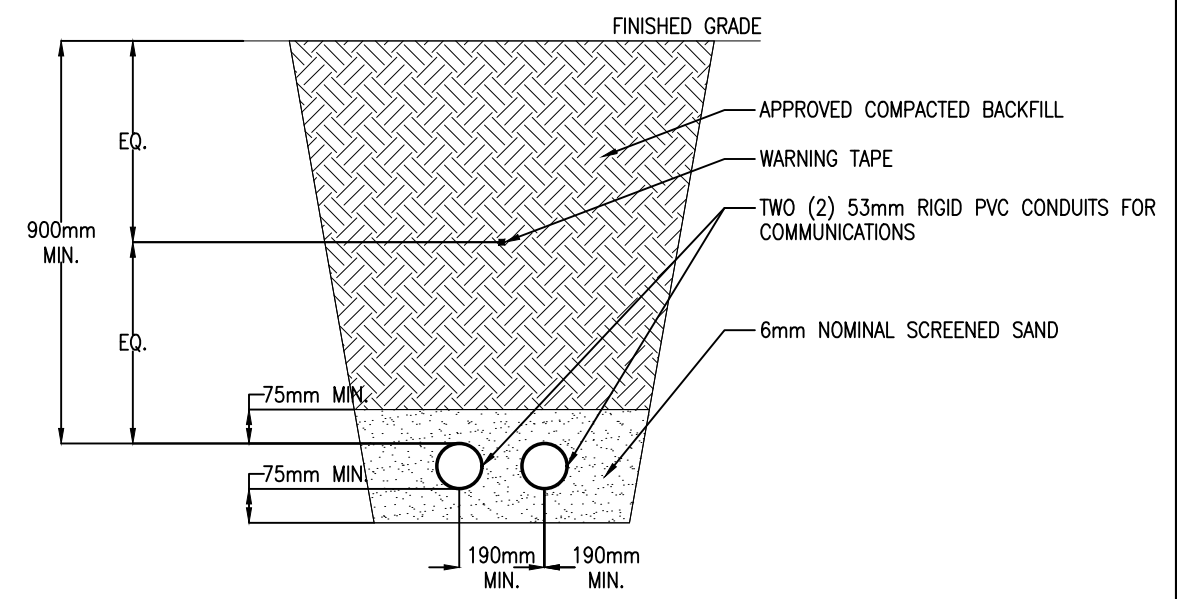


DRAWINGS NOTES

① TYPICAL
 PROVIDE NEW LIGHT FIXTURE TYPE AS INDICATED. CONNECT TO INDICATED CIRCUIT. REFER TO LIGHTING FIXTURE SCHEDULE ON THIS DRAWING FOR ADDITIONAL INFORMATION. PROVIDE PHOTOCELL AND TIMECLOCK C/W CONTACTORS AS REQUIRED TO CONTROL ALL OUTDOOR LIGHTING.



② BASE DETAIL FOR EXTERIOR LIGHT STANDARD
 E1 N.T.S.



③ DIRECT BURIED CONDUIT DETAIL
 E1 N.T.S.

LIGHTING FIXTURE SCHEDULE									
TYPE	DESCRIPTION	CATALOG NUMBER	LAMPS PER FIXTURE			VOLT	MOUNTING	REMARKS	
			QTY	TYPE	WATTS				
A	EXTERIOR LIGHT STANDARD	LITHONIA LIGHTING DSX1 LED-P6-30K-15W-MVOLT	1	LED	163W	3000K	347V	POLE MOUNTED	C/W 7.6m SQUARE STEEL POLE. PROVIDE POLE-TOP ADAPTERS AS REQUIRED. FIXTURE MOUNTED AT 7.6m A.F.F
			1	LED	102W	3000K	347V	POLE MOUNTED	C/W 7.6m SQUARE STEEL POLE. PROVIDE POLE-TOP ADAPTERS AS REQUIRED. FIXTURE MOUNTED AT 7.6m A.F.F
C	EXTERIOR WALL PACK	LITHONIA LIGHTING DSXW1 LED-20C-700-30K-74M-MVOLT	1	LED	46W	3000K	347V	WALL MOUNTED	LED WITH TWO (2) 10 LED LIGHT ENGINES, TYPE T4M OPTIC COORDINATE EXACT LOCATION ON SITE
			1	LED	13W	3000K	347V	RECESSED MOUNTED	RIN LIN, 3000K, 1000LM, 80CRI, CLEAR C/W SEMI-SPECULAR REFLECTOR. COORDINATE EXACT LOCATION ON SITE

① LIGHTING SITE PLAN
 E1 1:400

Client

2019-09-04	ISSUED FOR SITE PLAN APPROVAL	-
DATE	REVISION	REF

THE ENGINEER WAIVES ANY AND ALL RESPONSIBILITY AND LIABILITY FOR PROBLEMS WHICH ARISE FROM FAILURE TO FOLLOW THESE PLANS, SPECIFICATIONS AND THE DESIGN INTENT THEY CONVEY, OR FOR PROBLEMS WHICH ARISE FROM OTHER FAILURE TO OBTAIN AND / OR FOLLOW THE ENGINEER'S GUIDANCE WITH RESPECT TO ANY ERRORS, OMISSIONS, INCONSISTENCIES, AMBIGUITIES OR CONFLICTS WHICH ARE ALLEGED.

THIS DRAWING IS THE PROPERTY OF GOODKEY WEEDMARK & ASSOCIATES LIMITED AND ALL COPYRIGHTS ARE RESERVED. NO USE OF THIS DRAWING MAY BE MADE WITHOUT EXPRESS WRITTEN CONSENT.

DO NOT SCALE DRAWINGS

L'INGÉNIEUR DÉCLINE TOUTE RESPONSABILITÉ DÉCOULANT DE PROBLÈMES FAISANT SUITE AU NON RESPECT DES PLANS, DES ET DE L'INTENTION DU CONCEPT OUTILS INDIQUÉS OU DE TOUTS LES PROBLÈMES POUVANT RÉSULTER DU DÉFAUT D'OBTENIR ET / OU DE SUIVRE LES CONSEILS DE L'INGÉNIEUR EN CE QUI CONCERNE LES ERREURS, OMISSIONS, INCONSISTANCES, AMBIGUITÉS OU CONFLITS ALLÉGUÉS.

CE Dessin est la propriété littéraire de GOODKEY WEEDMARK & ASSOCIATES LIMITED ET TOUTS LES DROITS SONT RÉSERVÉS. L'UTILISATION EST INTERDITE SANS LE CONSENTEMENT ÉCRIT DE L'AUTEUR.

NE PAS MESURER LES DESSINS À L'ÉCHELLE

Goodkey Weedmark
 Consulting Engineers

GOODKEY WEEDMARK & ASSOCIATES LIMITED
 1688 Woodward Dr. Ottawa Ontario Canada K2C 3R8

613 727-5111 Voice
 613 727-5115 Fax
 www.gweal.com Web

Project/Projet
 Nord du projet

Seal/Scell

Project/Projet
 2707 SOLANDT RD., KANATA
 NEW OFFICE BUILDING SITE
 PLAN APPLICATION
 ASSISTANCE

Drawing title/Titre du dessin
LIGHTING SITE PLAN

Scale Échelle	AS NOTED	Project no./No. du projet 2019-412
Design by Conçu par	A.GIRARD	Drawing/Dessin
Drawn by Dessiné par	D.AGUDELO	E1
Reviewed by Examiné par	R.BOVIN	
Date Date	SEPTEMBER 2019	Revision no. Acad file/Fichier: Z:/2019-412