

APPROXIMATE PIECE WEIGHT (TONNES)			
	REBAR	CONCRETE	TOTAL
TOP	2.085	33.435	35.790
BOTTOM	2.085	33.435	35.790
TOTAL	4.170	66.870	71.040

NOTE: TANK WILL FLOAT IN HIGH GROUND WATER CONDITIONS. BUOYANCY IS THE RESPONSIBILITY OF OTHERS

**GENERAL NOTES:**

1. ALL DIMENSIONS ARE IN MILLIMETERS UNLESS NOTED OTHERWISE.
2. PRECAST CONCRETE TANK DESIGNED TO 2012 ONTARIO BUILDING CODE CSA B66-16. BEDDING, WATERPROOFING, BACKFILL, AND ALL OTHER SITE WORK BY OTHERS.
3. CONCRETE WORK TO BE IN ACCORDANCE WITH CAN/CSA A23.1 CONCRETE MATERIALS AND METHODS OF CONCRETE CONSTRUCTION, AND CAN/CSA A23.4 PRECAST CONCRETE MATERIALS AND CONSTRUCTION.
4. BOX DESIGNED FOR A MAXIMUM FILL HEIGHT OF 760 mm WITH 12 kPa LIVE LOAD. DESIGN FILL COVER ON THIS TANK IS 610 mm.
5. CONCRETE TO BE 45 MPa SCC WITH 600 mm ±70 mm SLUMP.
6. CONCRETE COVER AS NOTED, WITH ±10 mm TOLERANCE.
7. REINFORCING STEEL TO BE GRADE 400W BLACK DEFORMED BARS CONFORMING TO CAN/CSA G30.18.
8. DO NOT LIFT UNITS UNTIL CONCRETE HAS REACHED A MINIMUM STRENGTH OF 25 MPa, AS DETERMINED BY COMPRESSIVE TESTING OF CONCRETE CYLINDERS CURED IN SIMILAR CONDITIONS.
9. GROUT TO BE NON-SHRINK CEMENTITIOUS GROUT WITH MINIMUM COMPRESSIVE STRENGTH OF 45 MPa.
10. JOINT SEAL TO BE CONSEAL CS-102 BUTYL RUBBER SEALANT (CONFORMS TO AASHTO M-198B AND ASTM C-990-91). STORE, HANDLE AND APPLY JOINT SEALS IN STRICT ACCORDANCE WITH MANUFACTURER PRODUCT DATA SHEETS.
11. IT IS STRUCTURALLY IMPORTANT THAT THE SEALS IN THE HORIZONTAL JOINTS BE INSTALLED CORRECTLY. TOP PIECES MUST BE INSTALLED WITHOUT SLIDING THE PIECES ON THE SEALS.
12. DESIGN BASED ON GRANULAR BEDDING AND BACKFILL COMPACTED TO 95% SPDD.
13. LIFTING INSERTS TO BE GROUTED ON SITE BY OTHERS.
14. DELIVERY IS MADE BY CRANE-EQUIPPED TRUCKS.
15. EXCAVATION MUST BE READY, SAFE AND ACCESSIBLE FOR UNLOADING FROM THE REAR OF THE TRUCK.
16. MINIMUM OVERHEAD CLEARANCE OF 18 FT. IS REQUIRED.
17. ALL UNITS MUST BE HANDLED WITH PROPER LIFTING EQUIPMENT (i.e. SPREADER BARS).

5598 POWER ROAD  
OTTAWA, ONTARIO  
TEL: 613-822-1488

Version	Description	YYYY-MM-DD
1	ISSUED FOR REVIEW	2018-08-31

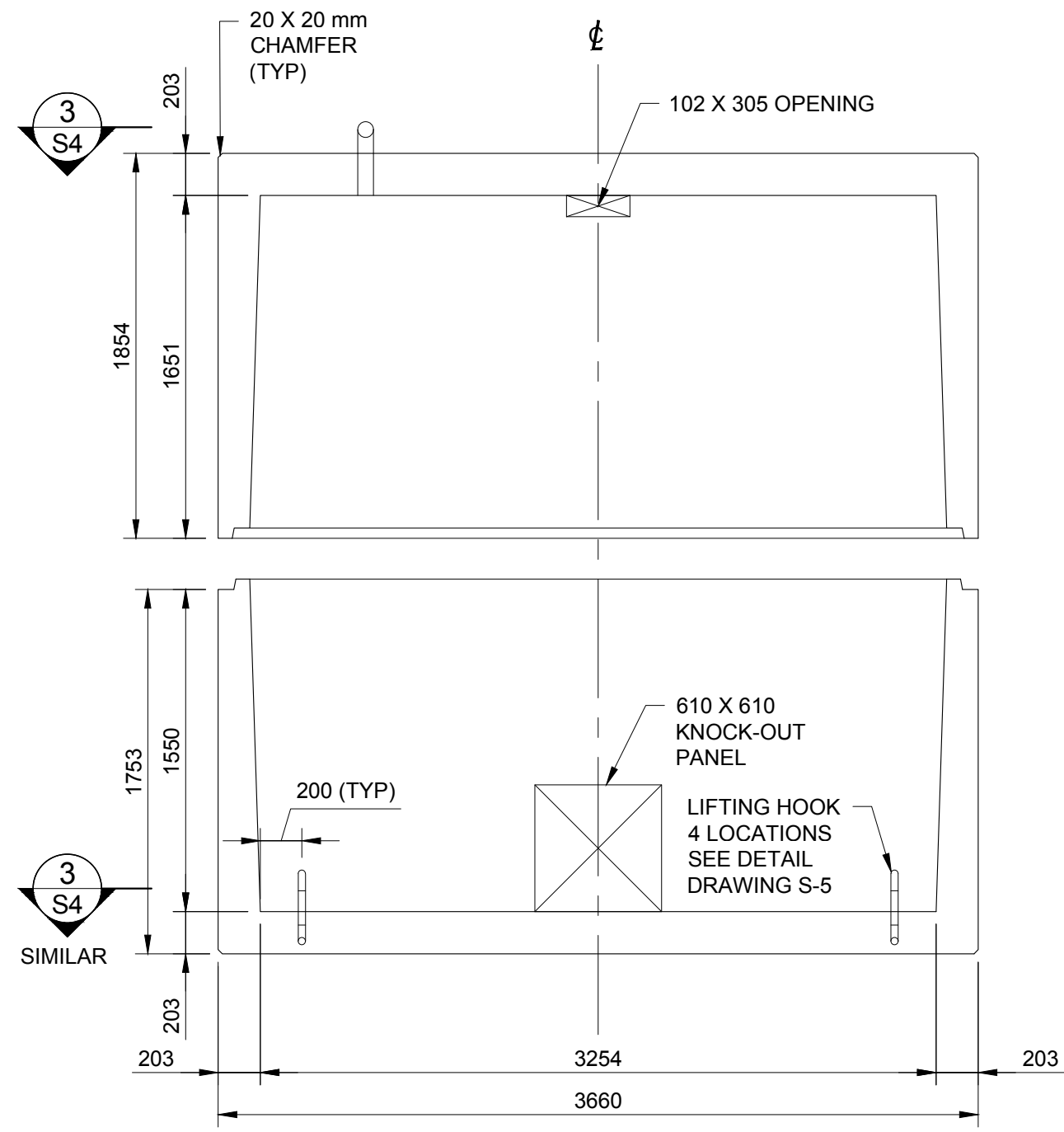
Stamp

WELLINGS OF STITTSVILLE

PPS JOB NO.: 2018-0803  
MH JOB NO.: 2170737.34

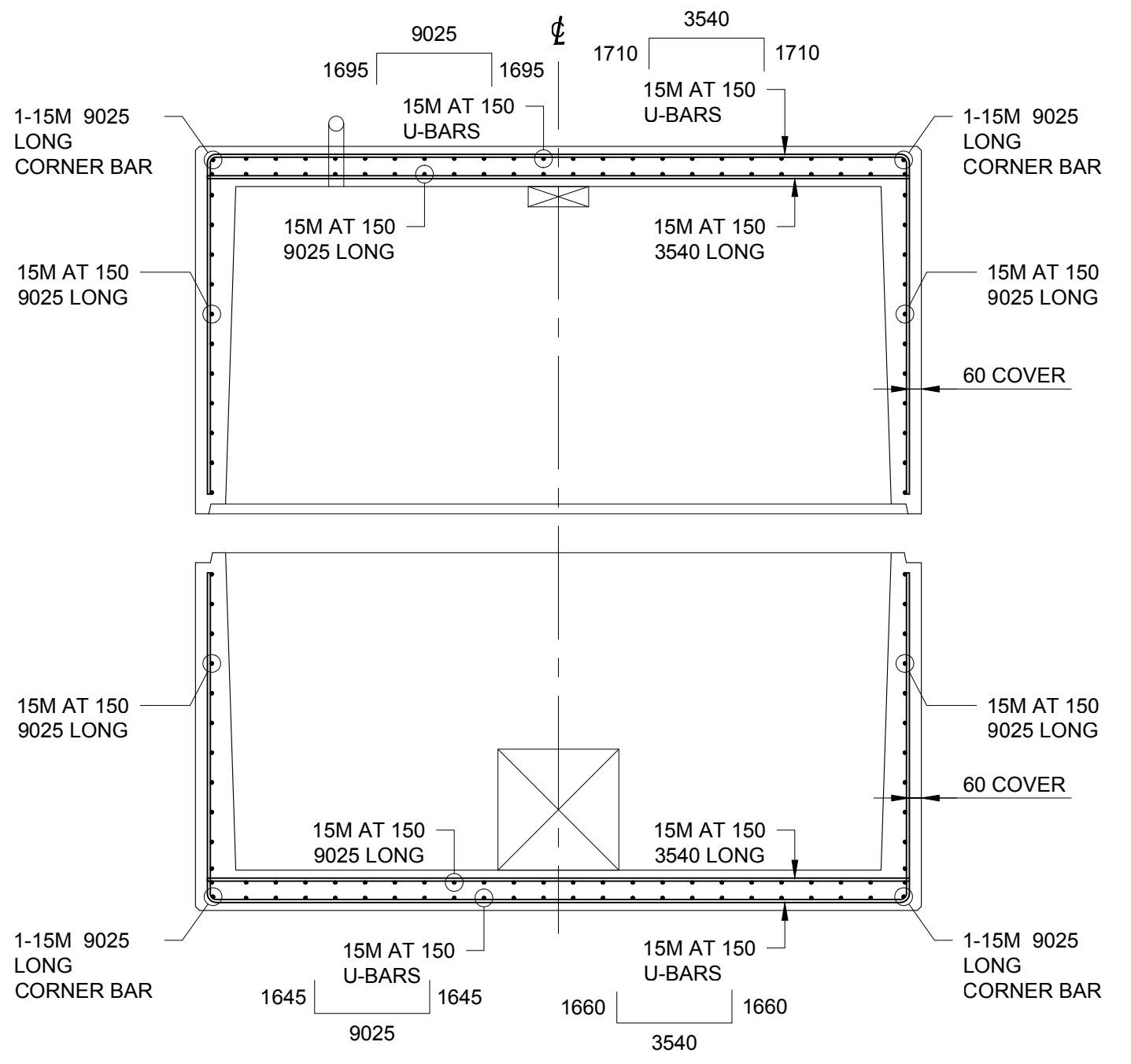
TANK DIMENSIONS		
Scale 1:50		
DWG No. S-1	Version 1	Date 2018-08-28

\\ot01fp\data1\shared\proj\2170737\CAD\PRECAST\_CULVERT\_BLOCKS.dwg



**END VIEW**

1:30



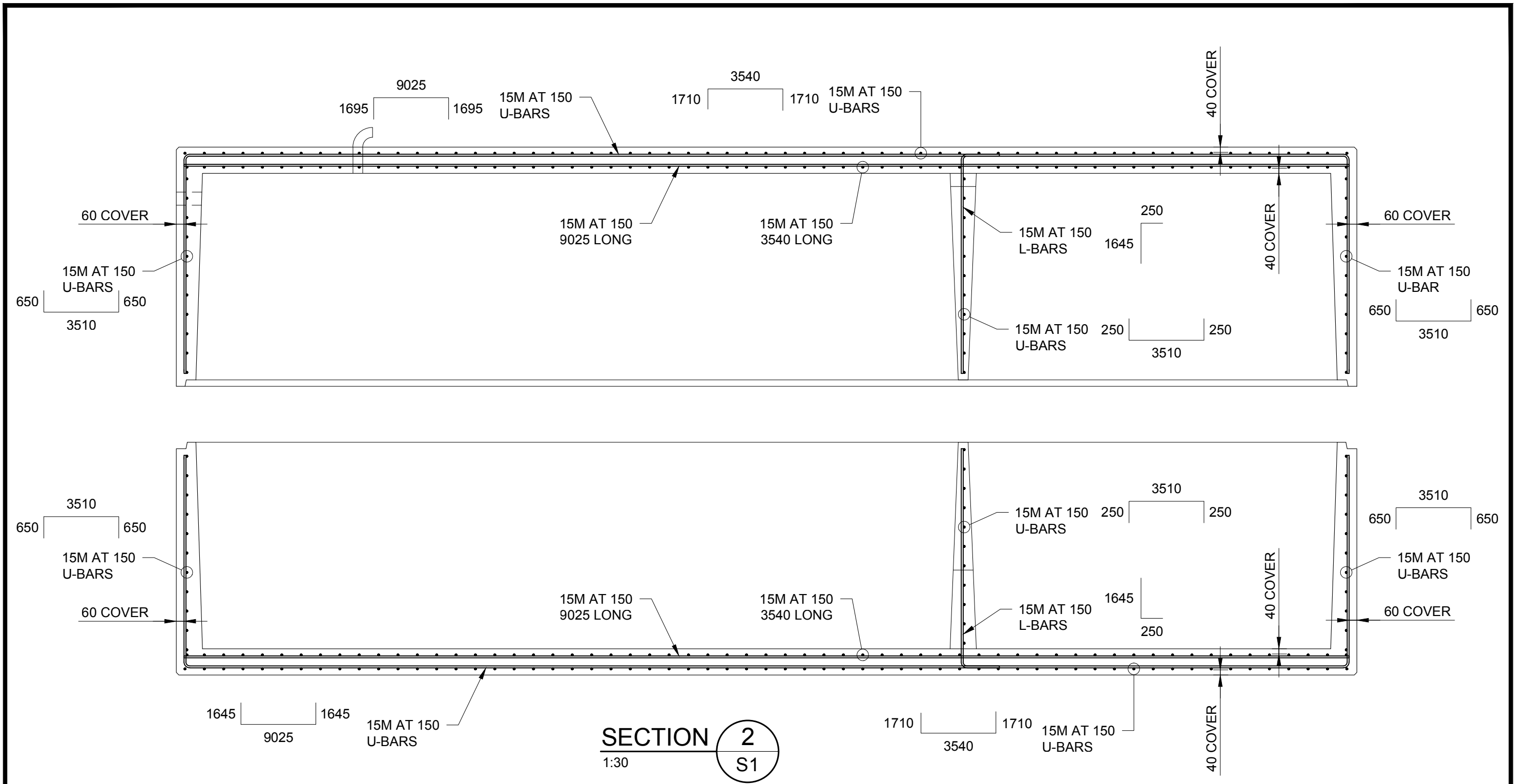
**SECTION 1**

1:30

S-1

				<p>WELLINGS OF STITTSVILLE</p>	<p>SECTIONS</p>		
					<p>Scale AS NOTED</p>	<p>DWG No. S-2</p>	<p>Version 1</p>
	<p>5598 POWER ROAD OTTAWA, ONTARIO TEL: 613-822-1488</p>		<p>Stamp</p>	<p>PPS JOB NO.: 2018-0803 MH JOB NO.: 2170737.34</p>			
	<p>1</p>	<p>ISSUED FOR REVIEW</p>			<p>2018-08-31</p>		
<p>Version</p>	<p>Description</p>	<p>YYYY-MM-DD</p>					

\\ot101p\data1\shared\proj\2170737\CAD\PRECAST CULVERT BLOCKS.dwg



**MORRISON HERSHFIELD**

**POWER PRECAST SOLUTIONS**

5598 POWER ROAD  
OTTAWA, ONTARIO  
TEL: 613-822-1488

Version	Description	YYYY-MM-DD
1	ISSUED FOR REVIEW	2018-08-31

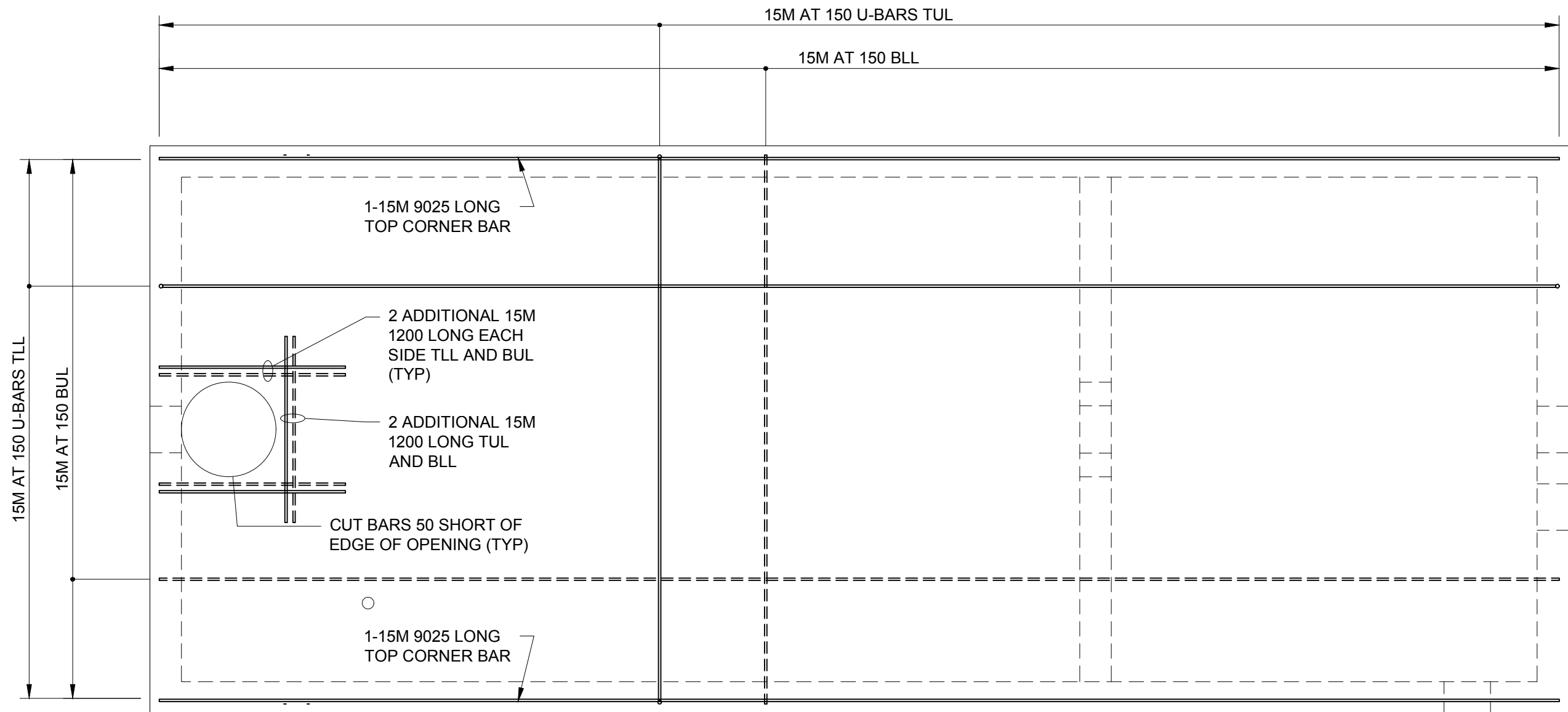


WELLINGS OF STITTSVILLE

PPS JOB NO.: 2018-0803  
MH JOB NO.: 2170737.34

SECTIONS		
Scale AS NOTED		
DWG No. S-3	Version 1	Date 2018-08-28

\\ot01fp\data1\shared\proj\2170737\CAD\PRECAST CULVERT BLOCKS.dwg



SECTION 3  
1:30 S2

LEGEND

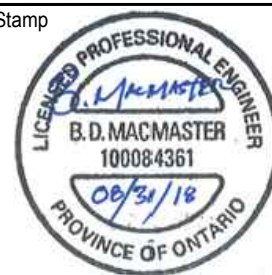
- DENOTES TOP MAT BARS
- ===== DENOTES BOTTOM MAT BARS
- TUL TOP UPPER LAYER
- TLL TOP LOWER LAYER
- BUL BOTTOM UPPER LAYER
- BLL BOTTOM LOWER LAYER



5598 POWER ROAD  
OTTAWA, ONTARIO  
TEL: 613-822-1488

Version	Description	YYYY-MM-DD
1	ISSUED FOR REVIEW	2018-08-31

Stamp



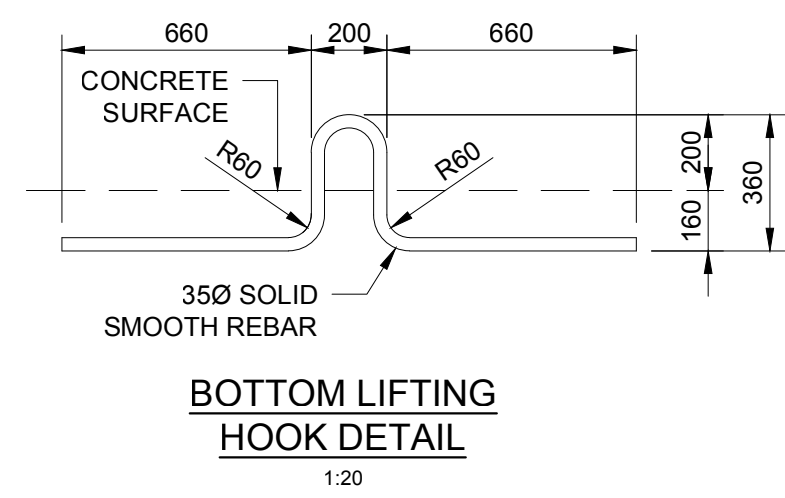
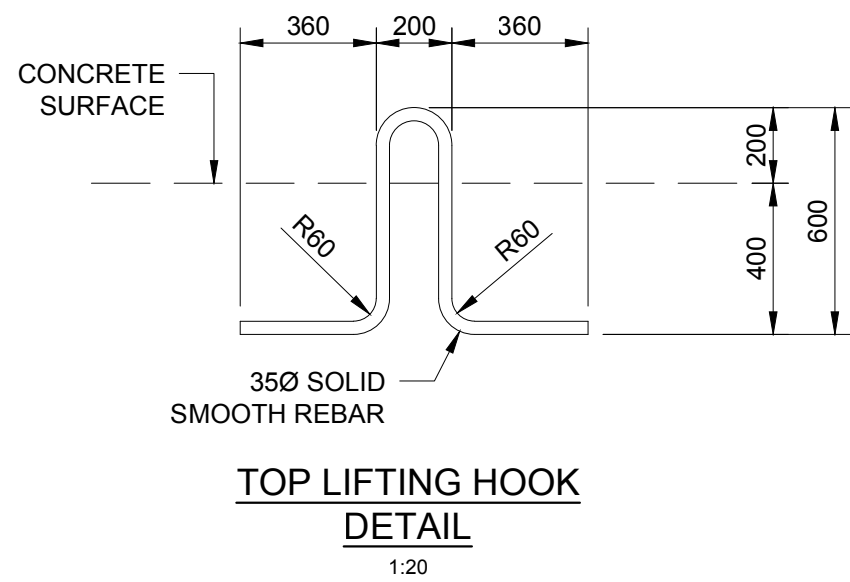
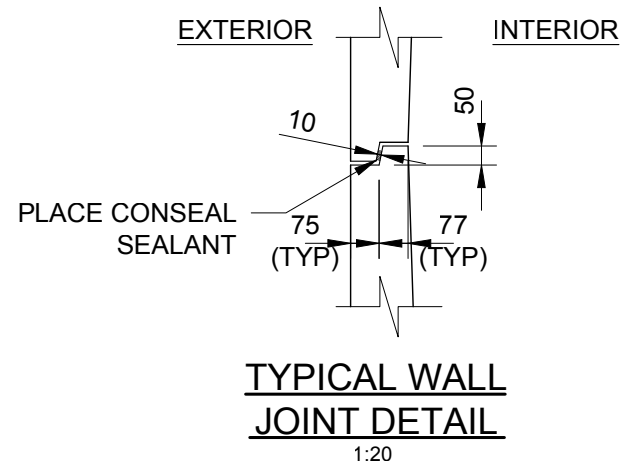
WELLINGS OF STITTSVILLE

PPS JOB NO.: 2018-0803  
MH JOB NO.: 2170737.34

Scale  
AS NOTED

DWG No.	Version	Date
S-4	1	2018-08-28

SECTIONS



			Stamp 	WELLINGS OF STITTSVILLE	DETAILS		
					Scale AS NOTED		
5598 POWER ROAD OTTAWA, ONTARIO TEL: 613-822-1488		1 Version	ISSUED FOR REVIEW Description	2018-08-31 YYYY-MM-DD	PPS JOB NO.: 2018-0803 MH JOB NO.: 2170737.34	DWG No. S-5	Version 1

\\ot101p\data1\shared\proj\2170737\CAD\PRECAST CULVERT BLOCKS.dwg