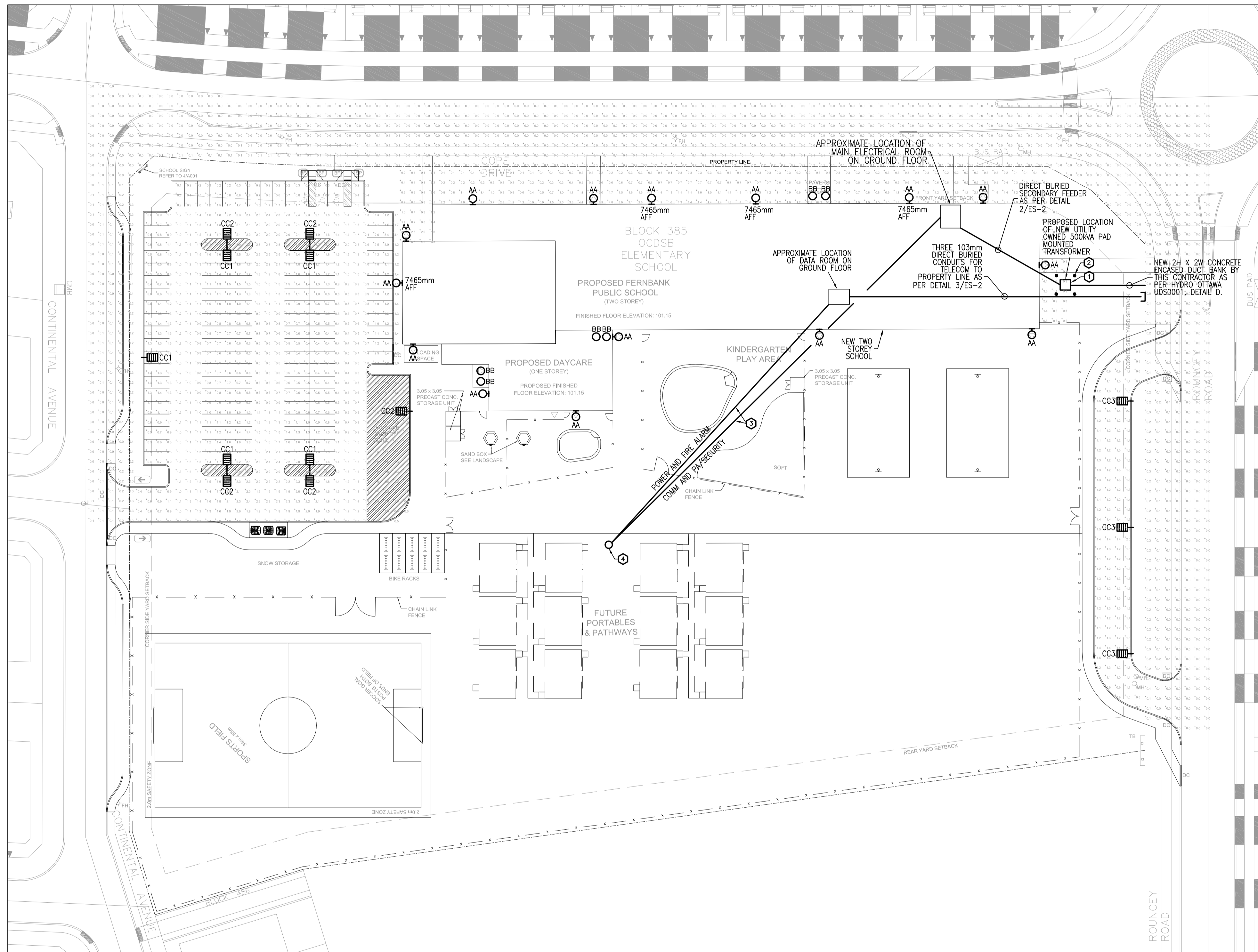


ELECTRICAL DRAWING LIST

DWG. #	DESCRIPTION
ES-1	ELECTRICAL: LEGEND, DRAWING LIST AND SITE PLAN
ES-2	ELECTRICAL: SCHEDULES AND DETAILS

REMOVE	EXISTING TO REMAIN	NEW AND/OR RELOCATED	ELECTRICAL LEGEND
⊘	⊘	⊘ ^{AA}	WALL MOUNTED FIXTURE, LETTER DENOTES TYPE.
○	○	○ ^{BB}	DOWNLIGHT FIXTURE, LETTER DENOTES TYPE.
⊞	⊞	⊞ ^{CC1}	EXTERIOR LIGHT STANDARD FIXTURE, LETTER DENOTES TYPE.



- ### DRAWING NOTES
- APPROXIMATE LOCATION OF UTILITY OWNED 500KVA PAD MOUNTED TRANSFORMER
NOTE THE FOLLOWING:
-PROVIDE NEW 1800mm X 1800mm TRANSFORMER BASE AND PAD AS PER HYDRO OTTAWA DETAILS #UCS0001 AND #UCS0004.
-PROVIDE GROUNDING AS PER HYDRO OTTAWA DETAILS #UFS0001 AND #UGS0002.
 - TYPICAL PROVIDE PROTECTIVE BOLLARD AS PER HYDRO OTTAWA DETAIL #UFS0001.
 - PROVIDE 1-103mmC FOR POWER, 1-53mmC FOR COMMUNICATIONS, 1-53mmC FOR PA/SECURITY AND 1-53mmC FOR FIRE ALARM.
 - PROVIDE MANHOLE TO SERVICE FUTURE PORTABLES. MANHOLE SHALL BE EQUAL TO USI 'E-60 C/W E-61' SERIES.

no.	revision	date
03	RESPONSE TO CITY COMMENTS	10 FEB 20
02	ISSUED FOR SITE PLAN CONTROL	24 JAN 20
01	ISSUED FOR HYDRO OTTAWA USE	19 NOV 19

McKEE ENGINEERING
 R.J. McKEE
 ENGINEERING LTD.
 1785 Woodward Drive
 Ottawa, ON K2C 0P9
 CANADA
 Tel.:(613) 723-9585
 Fax.:(613) 723-9584
 www.mckeeottawa.ca

FERNBANK ELEMENTARY SCHOOL
 OTTAWA-CARLETON DISTRICT
 SCHOOL BOARD

COPE DRIVE
 OTTAWA, ONTARIO
 K2S 1B6

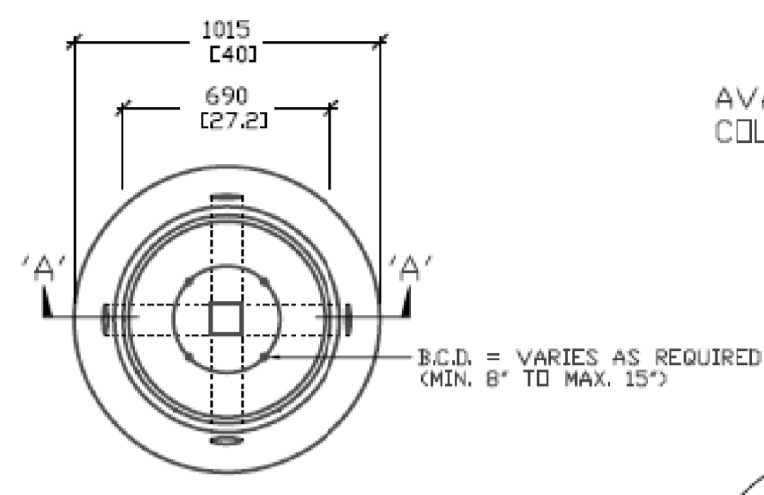
1 SITE PLAN
 ES-1 1:500

STATISTICS						
Description	Symbol	Avg	Max	Min	Max/Min	Avg/Min
Bus Drop Off	+	1.3 fc	2.2 fc	0.5 fc	4.4:1	2.6:1
Pathway	+	1.7 fc	69.3 fc	0.1 fc	693.0:1	17.0:1
Parking	+	1.2 fc	4.2 fc	0.1 fc	42.0:1	12.0:1
Off Property	+	0.0 fc	0.3 fc	0.0 fc	N/A	N/A

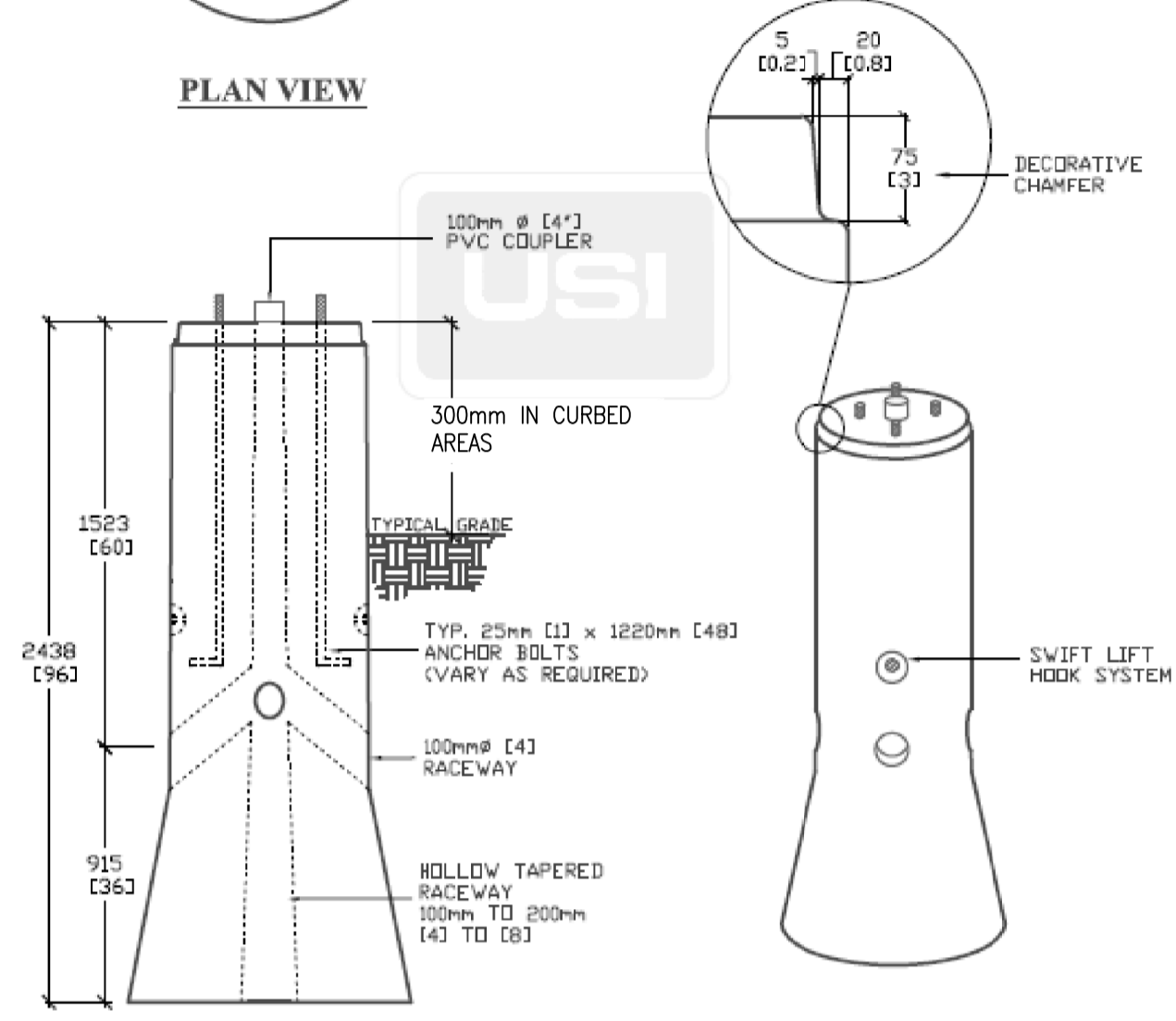
drawing title
**ELECTRICAL:
 LEGEND, DRAWING LIST AND SITE PLAN**

scale AS SHOWN	drawn by N.H.
date 01OCT19	checked by G.O.M.
project number 19214	drawing number ES-1
CONTRACTOR TO VERIFY ALL DIMENSIONS AND NOTIFY THE ARCHITECT OF ANY DISCREPANCIES BEFORE WORK COMMENCES.	
DO NOT SCALE DRAWINGS	revision

D07-12-19-0200



*** NOTE ***
AVAILABLE IN VARIOUS
COLOURS AND FINISHES



PLAN VIEW

SIDE ELEVATION

ISOMETRIC VIEW

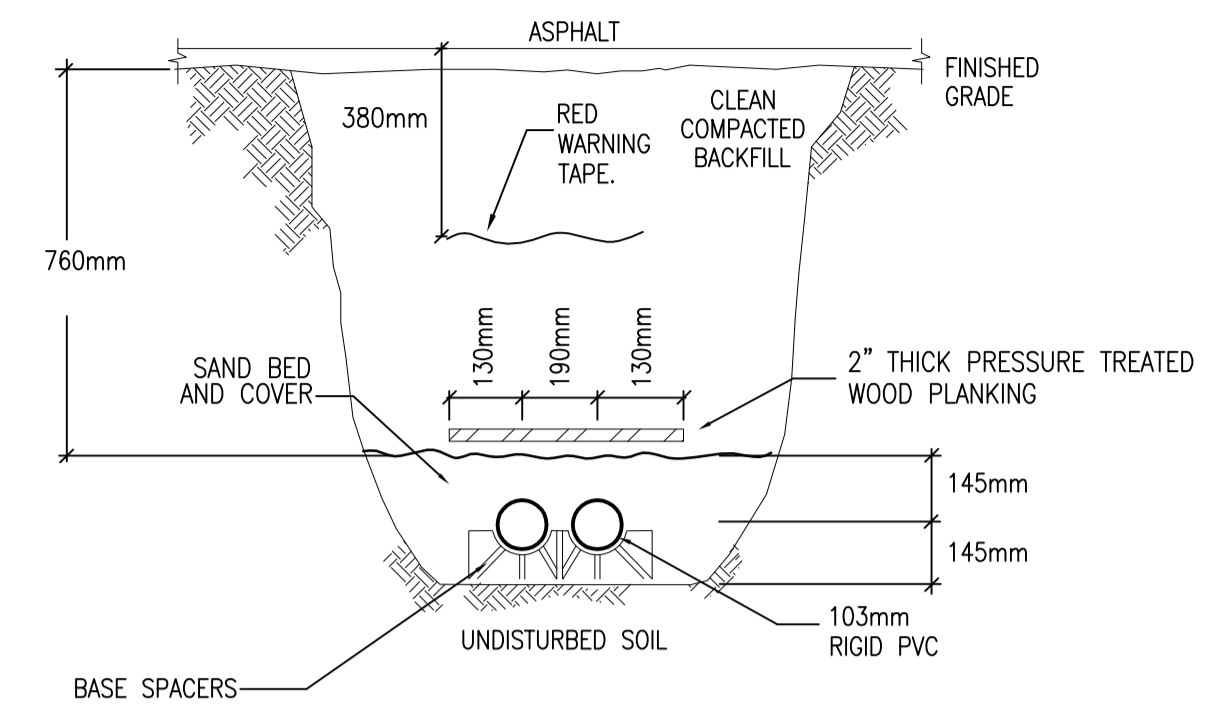
ALL DIMENSIONS DEFAULT TO MILLIMETERS

USI
61 BONGARD AVE
OTTAWA, ON
PH: 800.267.6466
FAX: 613.225.1881

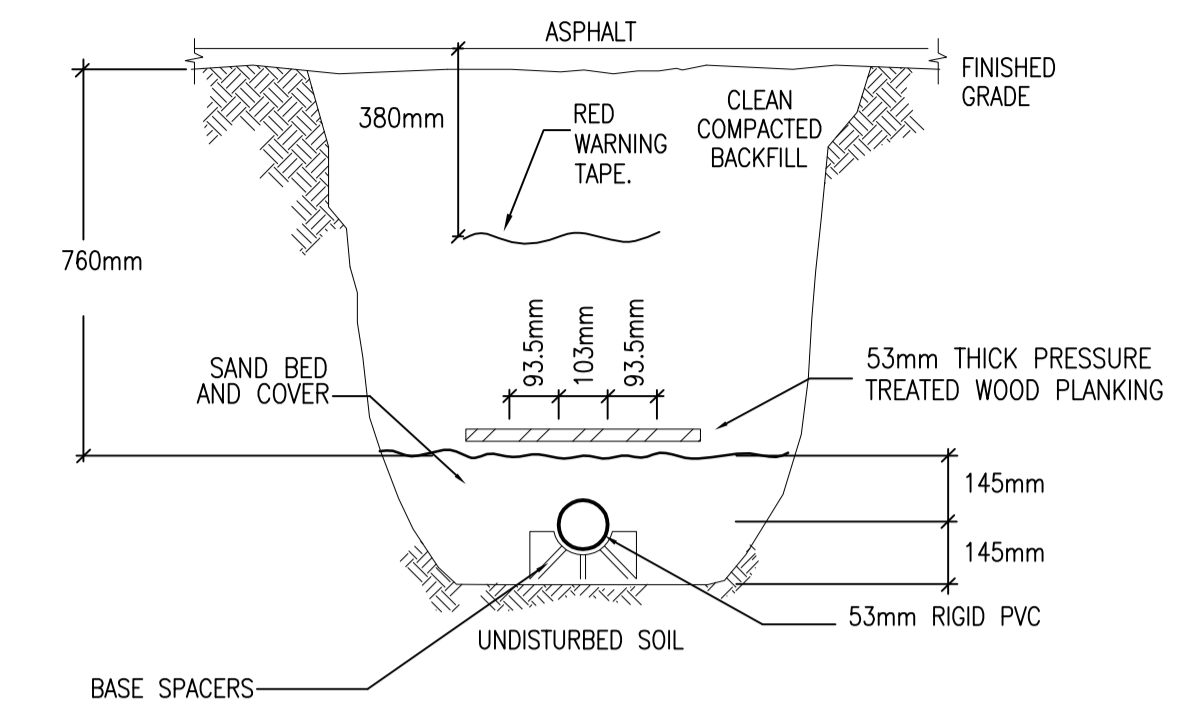
NOTES:
B.C.D. RANGE = 8" TO 15"
CAN ACCOMMODATE A 3" POLE
*CSA 23.4-05
35MPa (5000psi) AT 28 DAYS
6-8% AIR ENTRAINED

E-55
8' PARKING LOT POLE BASE
WEIGHT = 3000kg/6600lbs
2.44m(H) x 690mm dia.

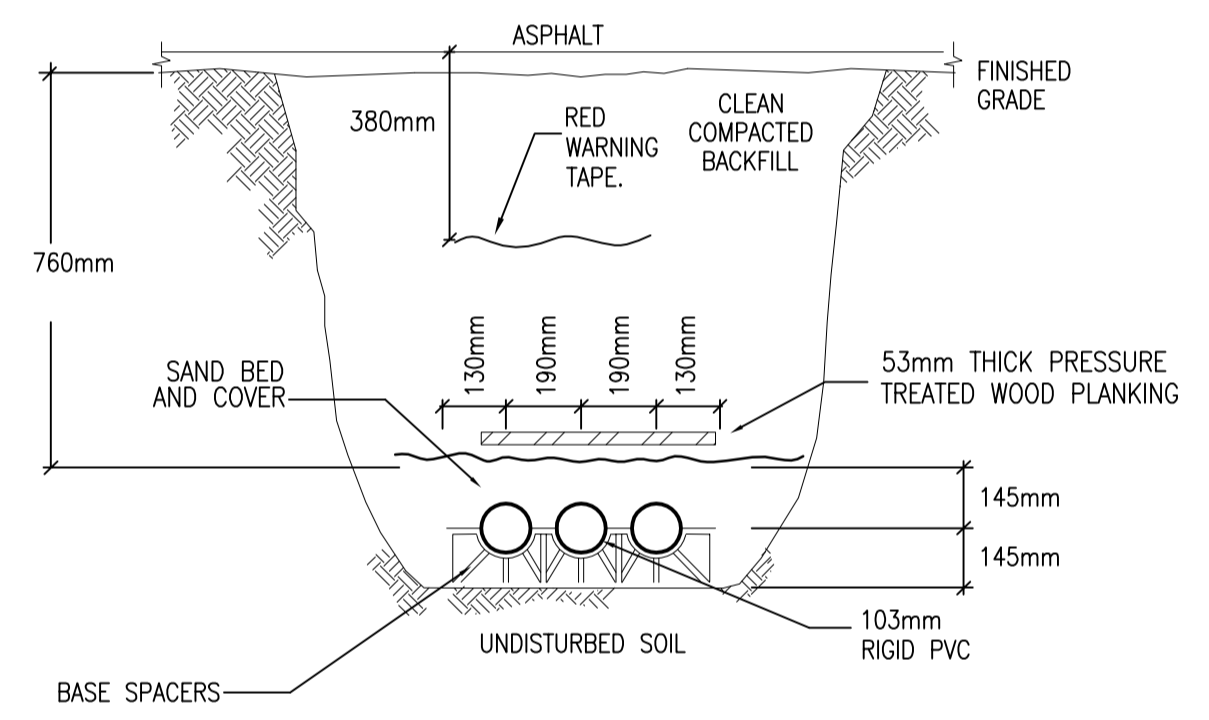
1 PRE-CAST CONCRETE BASE DETAIL
ES-2



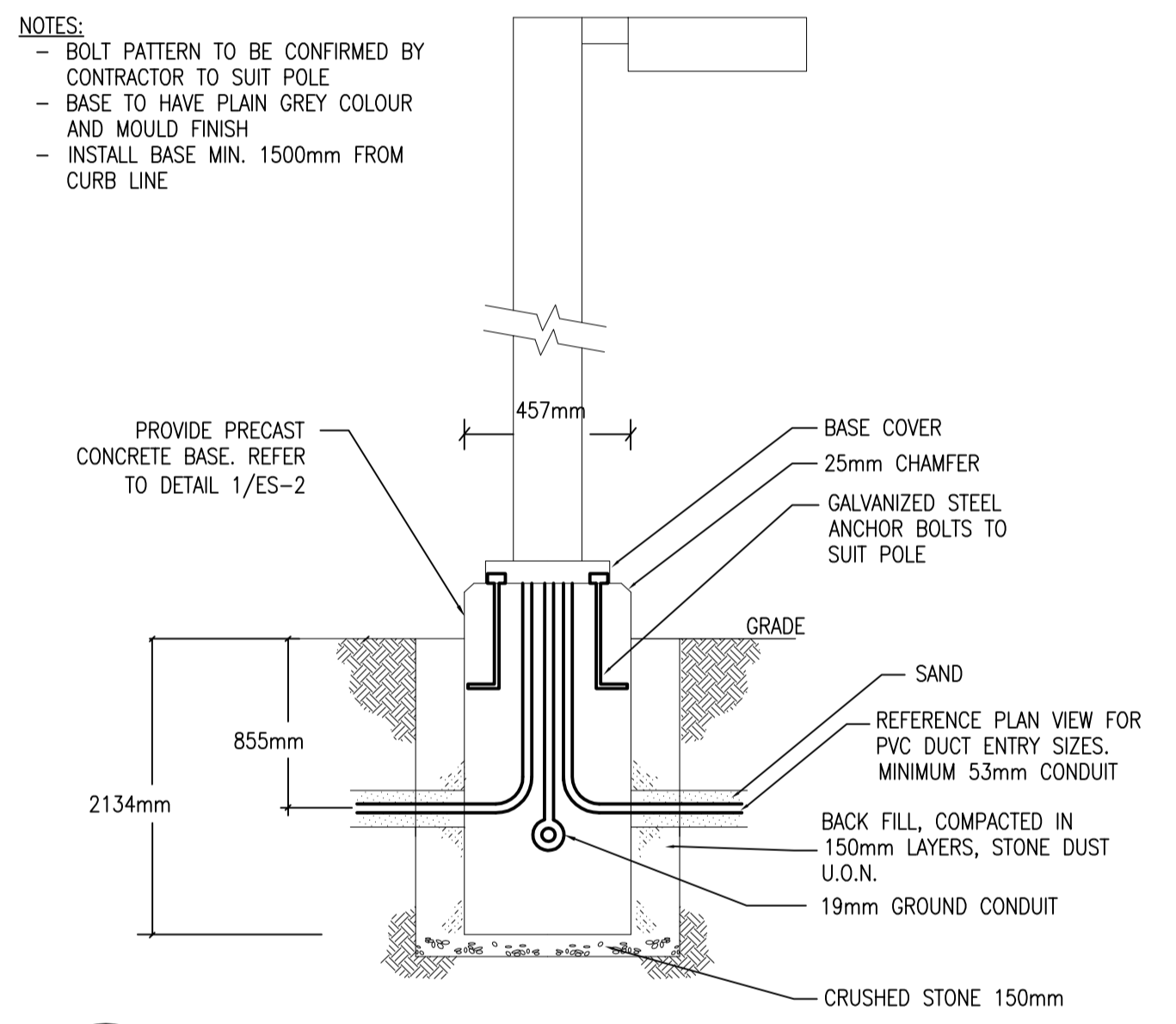
2 TRENCH DETAIL
ES-2 DIRECT BURIED SECONDARY FEEDER



4 DIRECT BURIED CONDUIT TRENCH DETAIL
ES-2 EXTERIOR LIGHT STANDARDS



3 TRENCH DETAIL
ES-2 DIRECT BURIED TELECOMMUNICATIONS CONDUIT



5 MOUNTING OF LAMP POST BASE - CURBED
ES-2 AREAS

NOTES:
- BOLT PATTERN TO BE CONFIRMED BY CONTRACTOR TO SUIT POLE
- BASE TO HAVE PLAIN GREY COLOUR AND MOULD FINISH
- INSTALL BASE MIN. 1500mm FROM CURB LINE

LIGHTING FIXTURE SCHEDULE						
TYPE	DESCRIPTION	LAMPS	VOLT	MOUNTING	REMARKS	
AA	BUILDING MOUNTED FIXTURE. EQUAL TO COOPER LIGHTING 'ENT' ENTRI LED TRIANGLE REVEALS SERIES.	52W LED	120	SURFACE WALL 3340mm AFF U.O.N.	- FULL CUT-OFF - 5570 LUMENS - BLACK FINISH - WALL GRAZER DISTRIBUTION	
BB	200mm LED DOWNLIGHT EQUAL TO COOPER PORTFOLIO 'LDBB' SERIES	41.6W LED	120	RECESSED IN CANOPY	- IC HOUSING - DAMP LOCATION - 4000 SERIES, 80 CRI	
CC1	POLE MOUNTED FIXTURE. EQUAL TO COOPER LIGHTING 'GLEON' SERIES.	59W LED	120	SQUARE ALUMINIUM 6096mm POLE 6858mm TOTAL HEIGHT	- FULL CUT-OFF - TYPE SL4 DISTRIBUTION - 6058 LUMENS - SPILL CONTROL - BLACK FINISH	
CC2	POLE MOUNTED FIXTURE. EQUAL TO COOPER LIGHTING 'GLEON' SERIES.	59W LED	120	SQUARE ALUMINIUM 6096mm POLE 6858mm TOTAL HEIGHT	- FULL CUT-OFF - TYPE SL2 DISTRIBUTION - 6245 LUMENS - SPILL CONTROL - BLACK FINISH	
CC3	POLE MOUNTED FIXTURE. EQUAL TO COOPER LIGHTING 'GLEON' SERIES.	59W LED	120	SQUARE ALUMINIUM 6096mm POLE 6858mm TOTAL HEIGHT	- FULL CUT-OFF - TYPE SL3 DISTRIBUTION - 6376 LUMENS - SPILL CONTROL - BLACK FINISH	



no.	revision	date
03	RESPONSE TO CITY COMMENTS	10 FEB 20
02	ISSUED FOR SITE PLAN CONTROL	24 JAN 20
01	ISSUED FOR HYDRO OTTAWA USE	19 NOV 19

McKee ENGINEERING
R.J. McKee
ENGINEERING LTD.
1785 Woodward Drive
Ottawa, ON K2C 0P9
CANADA
Tel: (613) 723-9585
Fax: (613) 723-9584
www.mckeeottawa.ca

FERNBANK ELEMENTARY SCHOOL
OTTAWA-CARLETON DISTRICT
SCHOOL BOARD

COPE DRIVE
OTTAWA, ONTARIO
K2S 1B6



drawing title	
ELECTRICAL: SCHEDULES AND DETAILS	
scale N.T.S.	drawn by N.H.
date 01OCT19	checked by G.O.M.
project number 19214	drawing number ES-2
CONTRACTOR TO VERIFY ALL DIMENSIONS AND NOTIFY THE ARCHITECT OF ANY DISCREPANCIES BEFORE WORK COMMENCES.	
DO NOT SCALE DRAWINGS	revision