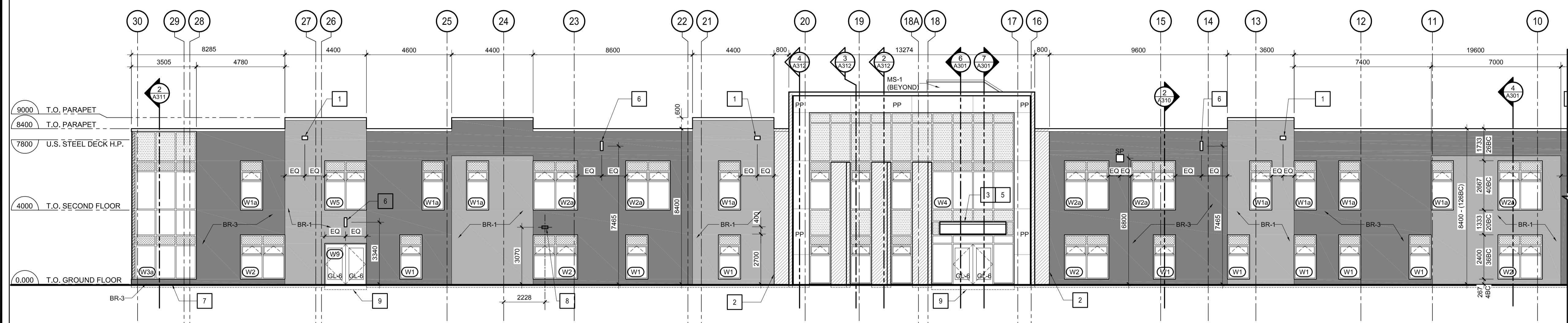
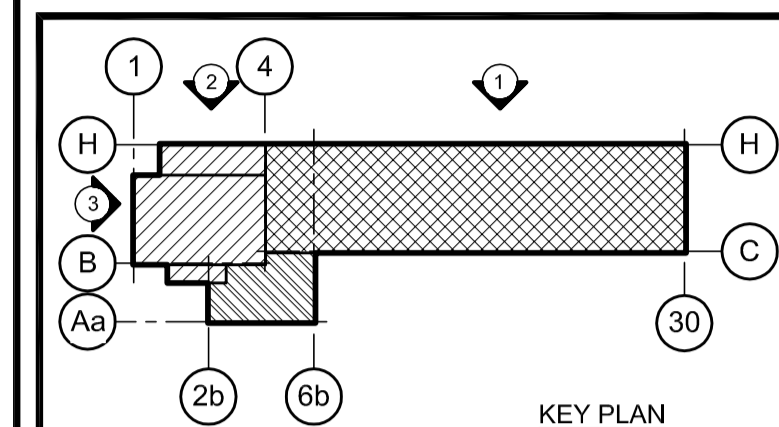
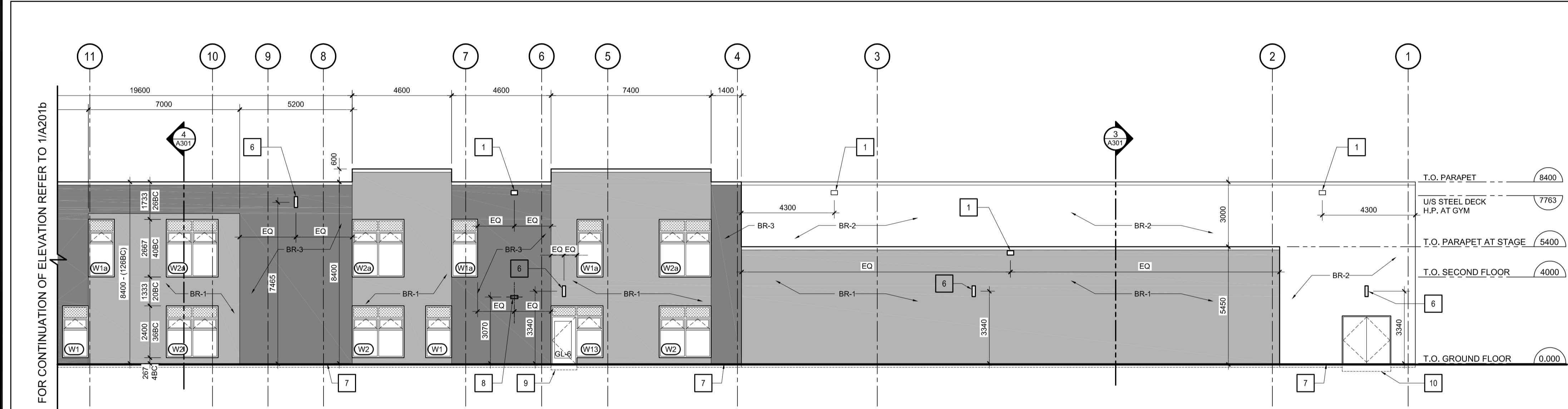


OTTAWA - CARLETON
DISTRICT SCHOOL BOARD



1 NORTH ELEVATION
SCALE 1:100

FOR CONTINUATION OF ELEVATION REFER TO 2/A201b



2 NORTH ELEVATION (CONT'D)
SCALE 1:100

EXTERIOR GLAZING

- GL-1 CURTAIN WALL VISION PANEL
- GL-2 SPANDREL PANEL (WHITE GLASS)
- GL-3 NOT USED
- GL-4 INSULATED TRANSLUCENT GLASS PANEL
- GL-5 NOT USED
- GL-6 DOOR VISION PANEL
- GL-7 SAFETY GLASS FOR SLOPED GLAZING

PJ PANEL JOINT

TILT-UP CONCRETE PANELS

- BR-1 MEDIUM GREY BRICK PATTERN, BR-1 SEE SPEC.
- BR-2 LIGHT GREY BRICK PATTERN, BR-2 SEE SPEC.
- BR-3 CHARCOAL ACCENT BRICK PATTERN BR-3, SEE SPEC.
- SP SMOOTH PANEL WITH ACRYLIC COATING, WALL TYPE 'W2' SEE SPEC.
- PP PHONOLIC WALL PANEL
- MS-1 VERTICAL CORRUGATED METAL SIDING

no.	revision	date
02	RESPONSE TO CITY COMMENTS	20 FEB 20
01	ISSUED FOR SITE PLAN	25 NOV 19

N45 ARCHITECTURE INC.
71 Bank Street, 7th Floor - Ottawa, Ontario, K1P 5N2
tel. 613.224.0095 fax 613.224.9811

FERNBANK ELEMENTARY SCHOOL
OTTAWA-CARLETON DISTRICT
SCHOOL BOARD

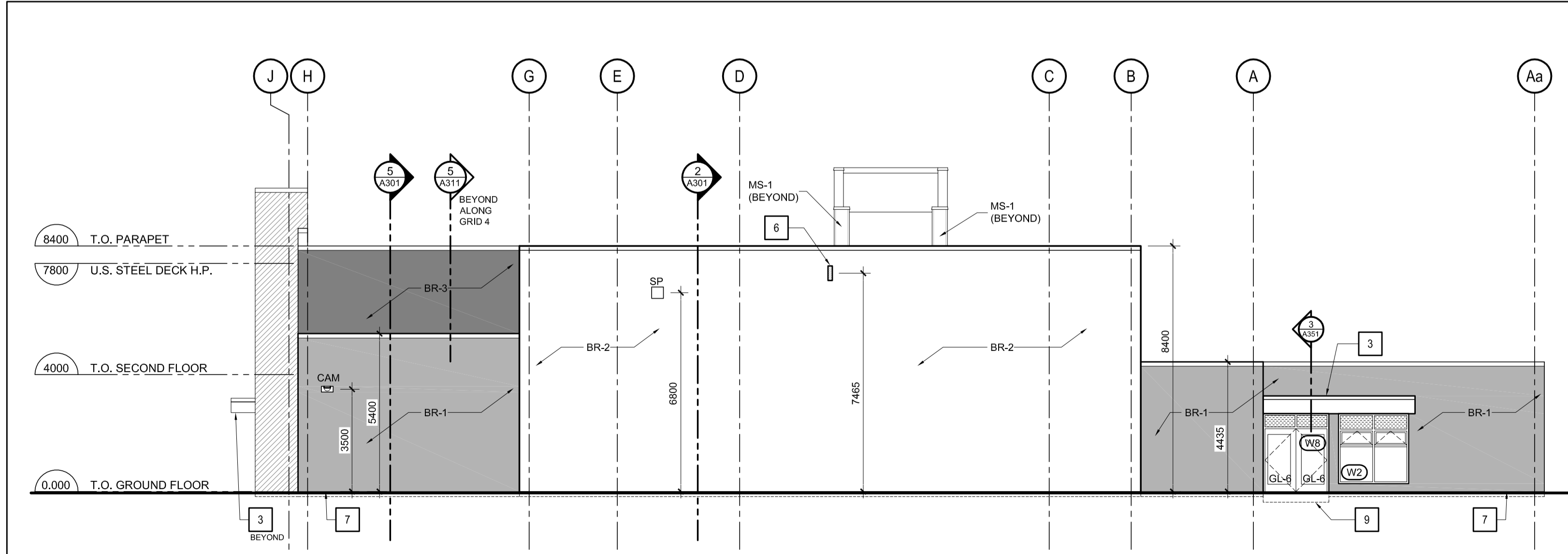
COPE DRIVE
OTTAWA, ONTARIO
K2S 1B6

APPROVED REFUSED

THIS 22 DAY OF October, 2020

Erin O'Connell

ERIN O'CONNELL, MCIP, RPP, MANAGER (A)
DEVELOPMENT REVIEW, WEST
PLANNING, INFRASTRUCTURE AND ECONOMIC
DEVELOPMENT DEPARTMENT, CITY OF OTTAWA



3 WEST ELEVATION
SCALE 1:100

- DRAWING NOTES**
- 1 TYPICAL EMERGENCY OVERFLOW SCUPPER
 - 2 TYPICAL PANEL REVEAL (25mm WIDE x 15mm DEEP). REFER TO DETAIL ON DRAWING 16/A501
 - 3 COMPOSITE ALUMINUM PANEL CLADDING
 - 4 FDC - FIRE DEPARTMENT CONNECTION
 - 5 MAIN ENTRANCE CANOPY, REFER TO SECTION
 - 6 LIGHT FIXTURE, REFER TO ELECTRICAL
 - 7 START BRICK VENEER LAYOUT FROM TOP OF FINISH GROUND FLOOR LEVEL (0.000)
 - 8 WALL VENT GRILLE AT RANGE HOOD EXHAUST
 - 9 AT DOOR OPENING DEPRESS TOP OF FOUNDATION WALL BY 300mm TO ALLOW FOR EXTENDED THICKENED FLOOR SLAB, REFER TO DETAIL 6/A312.
 - 10 AT GYMNASIUM DOOR OPENING DEPRESS TOP OF FOUNDATION WALL BY 305mm TO ALLOW FOR EXTENDED THICKENED FLOOR SLAB, REFER TO SIMILAR DETAIL 6/A312.

drawing title
ELEVATIONS

scale AS SHOWN	drawn by
date 01 AUG 19	checked by V.P.
project number 19-467	drawing number A201a

CONTRACTOR TO VERIFY ALL DIMENSIONS AND NOTIFY THE ARCHITECT OF ANY DISCREPANCIES BEFORE WORK COMMENCES.

DO NOT SCALE DRAWINGS