

EXISTING TREES TO BE REMOVED

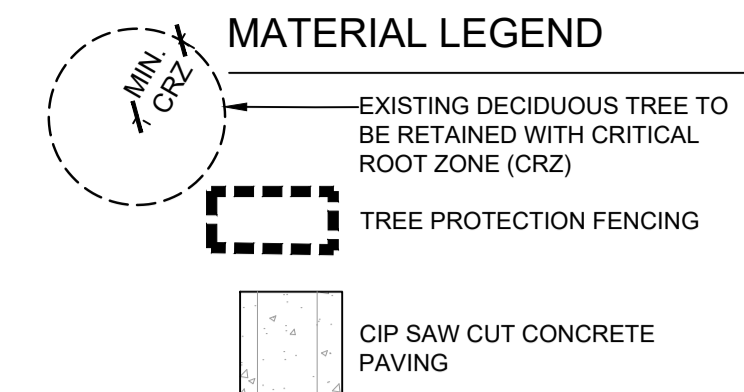
Tree #	BOTANICAL NAME	COMMON NAME	SIZE	CONDITION/COMMENTS
1	<i>Acer ginnala</i>	Amur Maple	16cm DBH	Good Condition. City-owned. Small non-native species.
2	<i>Acer ginnala</i>	Amur Maple	16cm DBH	Good Condition. Private tree. Small non-native species.
3	<i>Acer ginnala</i>	Amur Maple	16cm DBH	Good Condition. Private tree. Small non-native species.
4	<i>Acer ginnala</i>	Amur Maple	16cm DBH	Good Condition. Private tree. Small non-native species.

REFER TO ARBORIST REPORT BY DAVEY RESOURCE GROUP DATED DECEMBER 5, 2019.

PLANT MATERIALS LEGEND

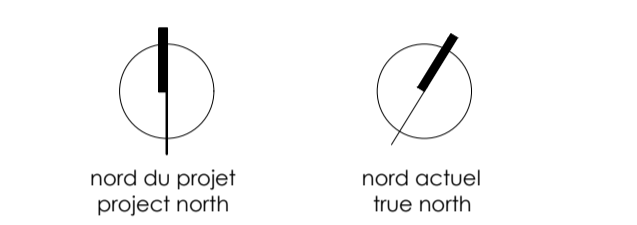
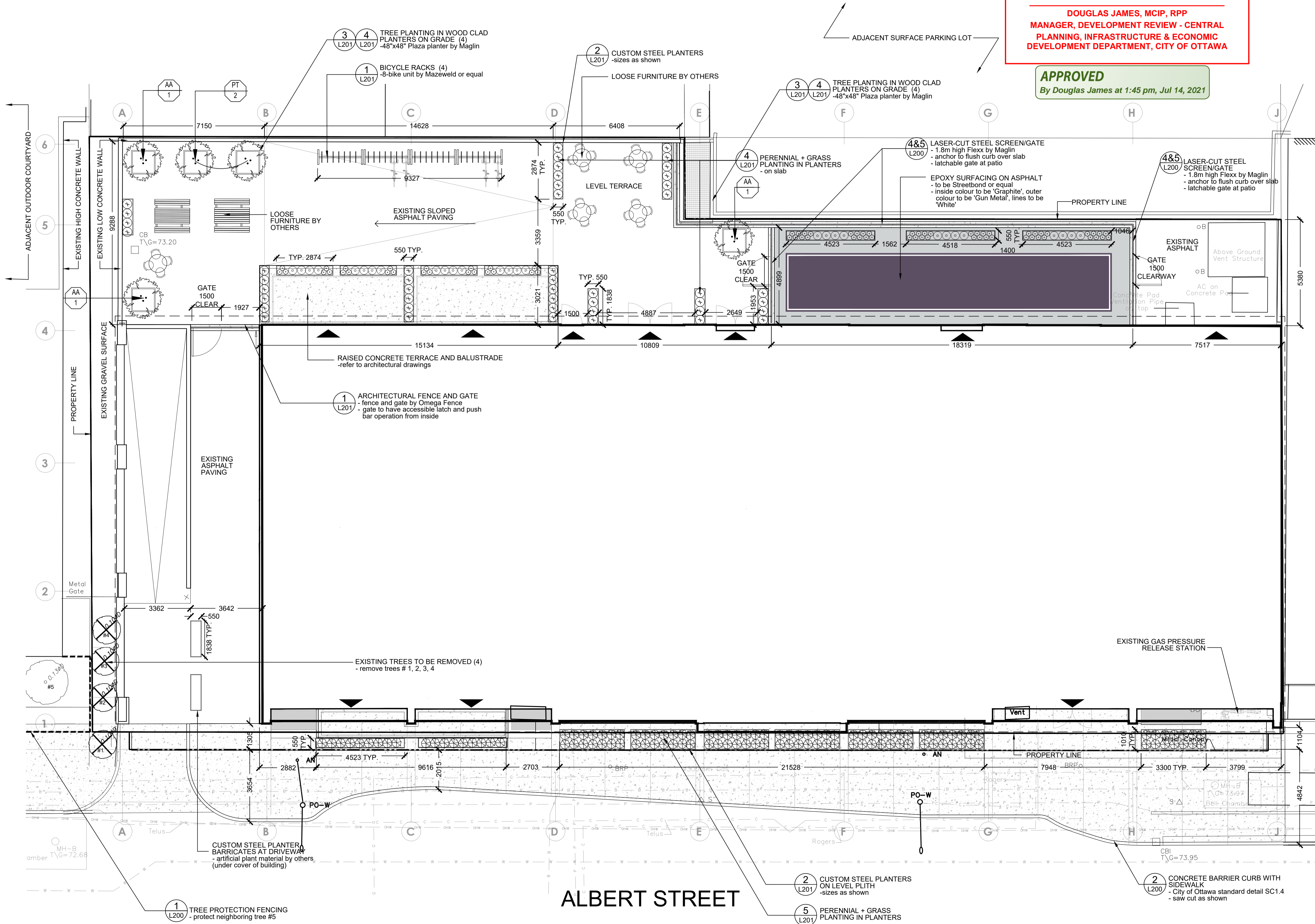
ABBR.	BOTANICAL NAME	COMMON NAME	QTY.	PLANTING SIZE	O.C. PLANT SPACING	NOTES
SHRUBS, PERENNIALS & GRASSES						
AA	<i>Amelanchier arborea</i> var. <i>arborea</i>	Common Serviceberry	3	20 gal. pot	as shown	1800mm height. Specimen form.
PT	<i>Pinus thunbergii</i> 'Thunderhead'	Thunderhead Japanese Pine	2	20 gal. pot	as shown	1800mm height. Specimen form.
SHRUBS, PERENNIALS & GRASSES						
Ac	<i>Astilbe chinensis</i> 'Visions in White'	Astilbe	72	2 GAL. POT	300mm	
Hm	<i>Hakonechloa macra</i> 'Aureola'	Japanese Forest Grass	28	2 GAL. POT	300mm	
Ho	<i>Hosta</i> 'Marmelade on Toast'	Hosta	76	2 GAL. POT	750mm	
Pa	<i>Pennisetum alopecuroides</i> 'Hameln'	Hameln Fountain Grass	116	5 GAL. POT	450mm	FRONT

MATERIAL LEGEND



Douglas James
DOUGLAS JAMES, MCIP, RPP
 MANAGER, DEVELOPMENT REVIEW - CENTRAL
 PLANNING, INFRASTRUCTURE & ECONOMIC
 DEVELOPMENT DEPARTMENT, CITY OF OTTAWA

APPROVED
 By Douglas James at 1:45 pm, Jul 14, 2021



03 REISSUED FOR SPA 2020-10-22
 02 REISSUED FOR SITE PLAN CONTROL 2020-04-06
 01 ISSUED FOR SITE PLAN CONTROL 2019-12-06
 no revisions date
 stamp | timbre

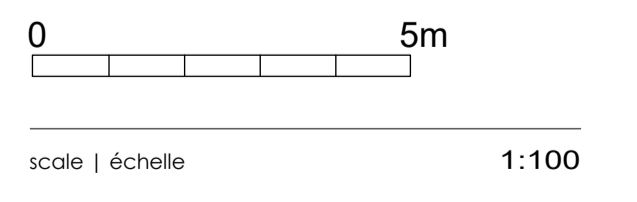


general notes | note générale
 1. CONTRACTOR SHALL CHECK AND VERIFY ALL DIMENSIONS AND REPORT ALL ERRORS AND OMISSIONS TO THE ARCHITECT.
 2. DO NOT SCALE THE DRAWINGS.
 3. NOT FOR CONSTRUCTION.

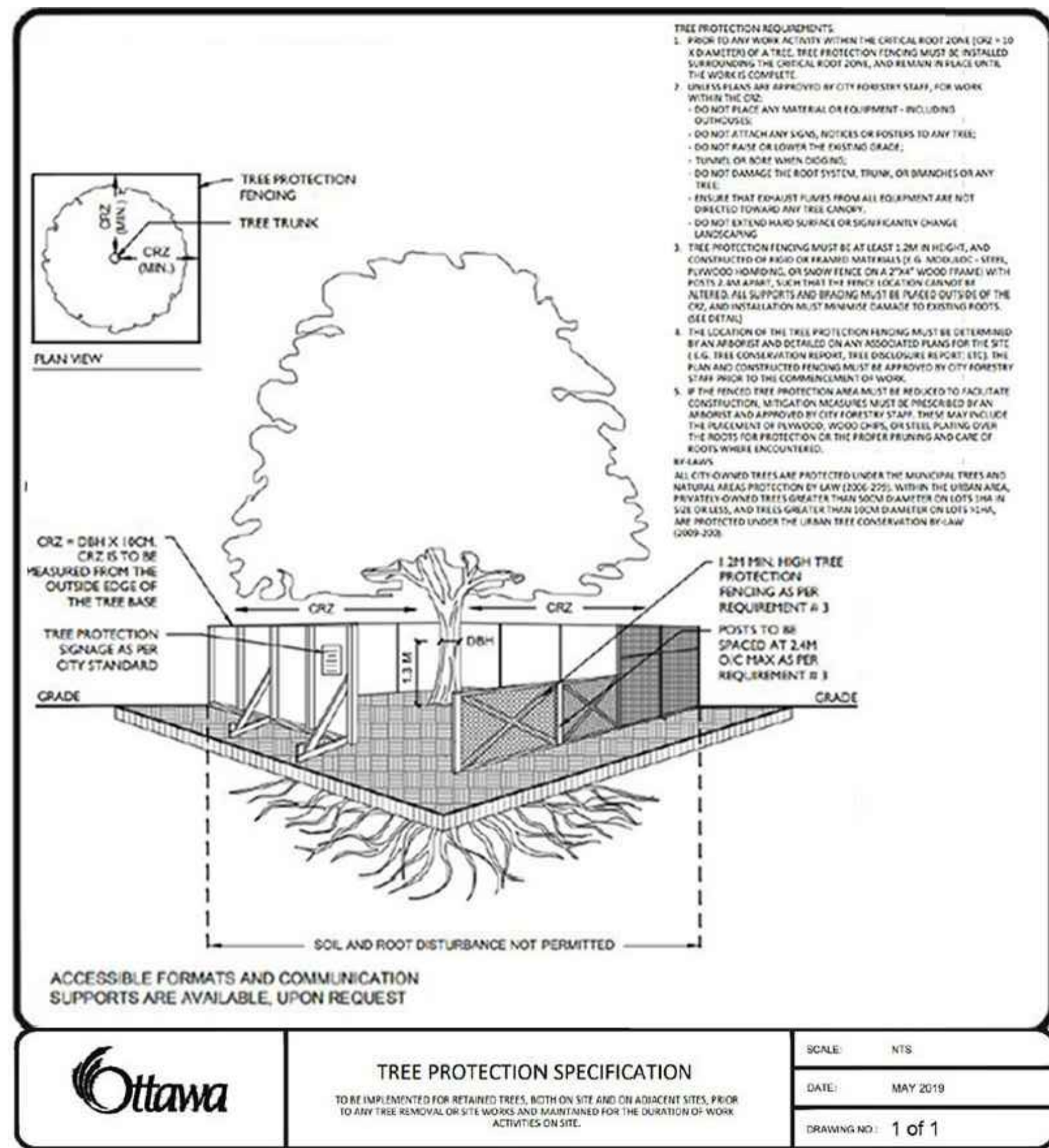
project title
473 ALBERT
 PROPOSED MIXED-USE RENOVATION

473 ALBERT STREET | OTTAWA | ONTARIO | CANADA

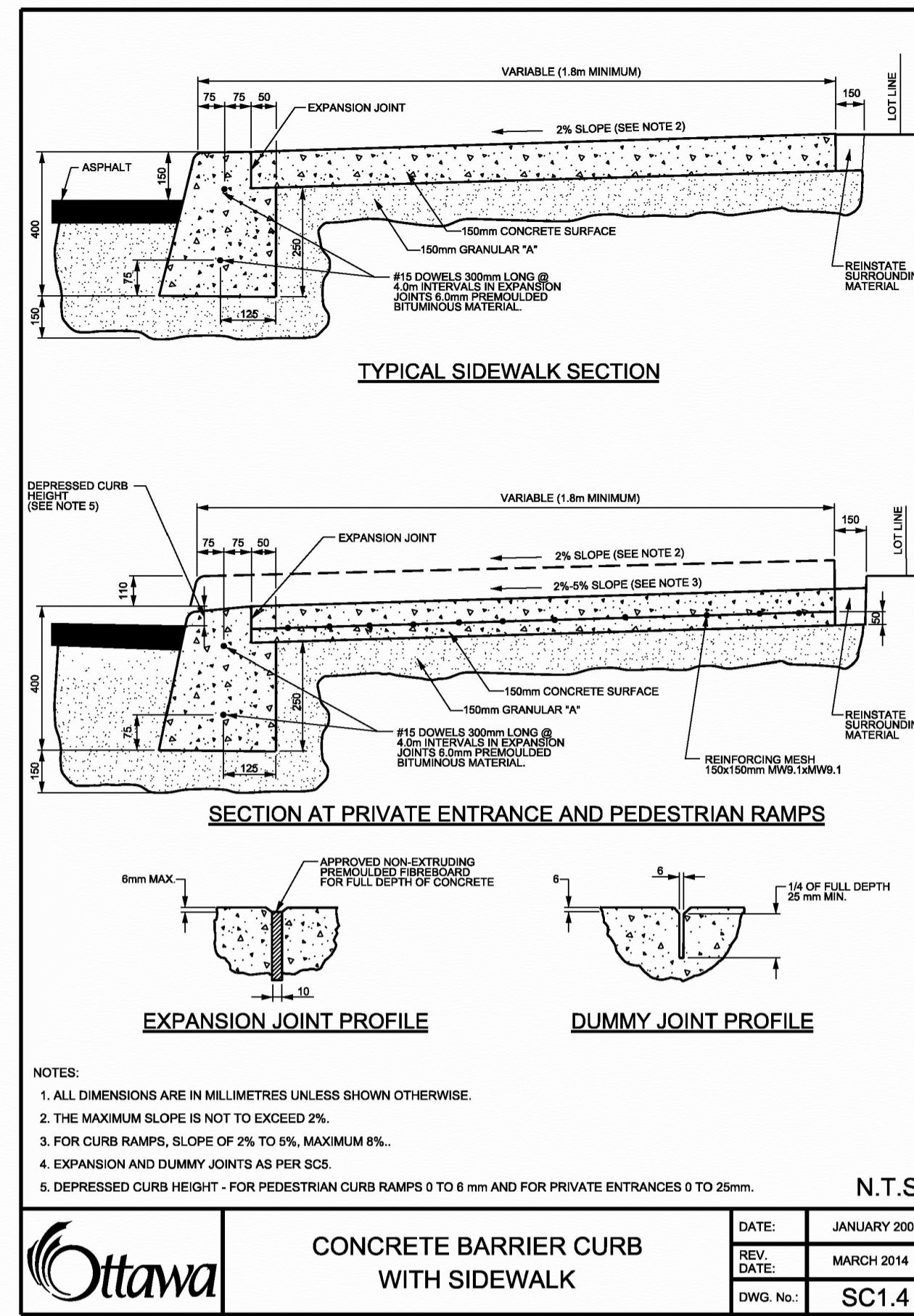
drawing title | titre du dessin
L01 LANDSCAPE PLAN



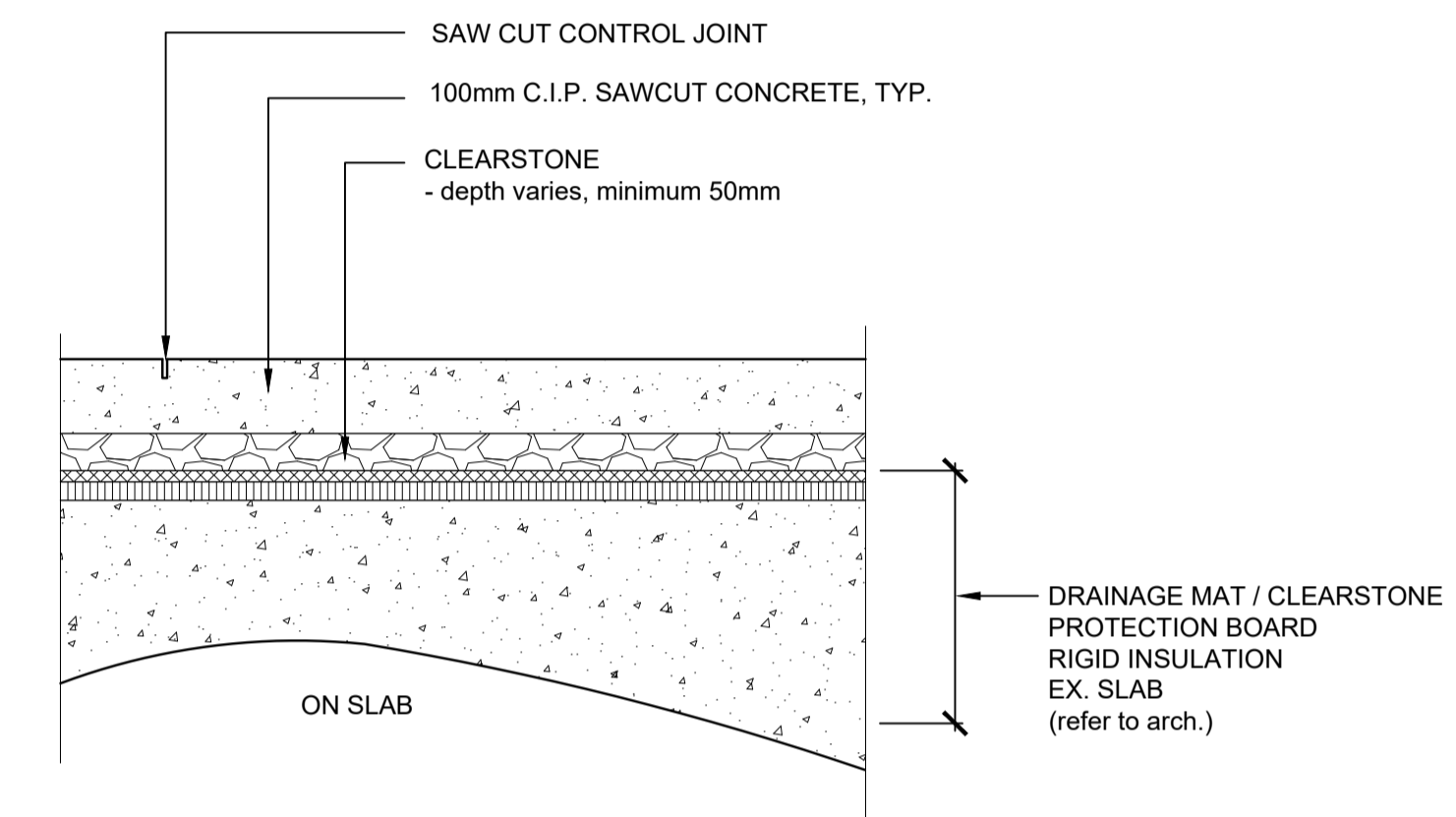
scale | échelle 1:100
 drawing number | numéro du dessin
L01.100



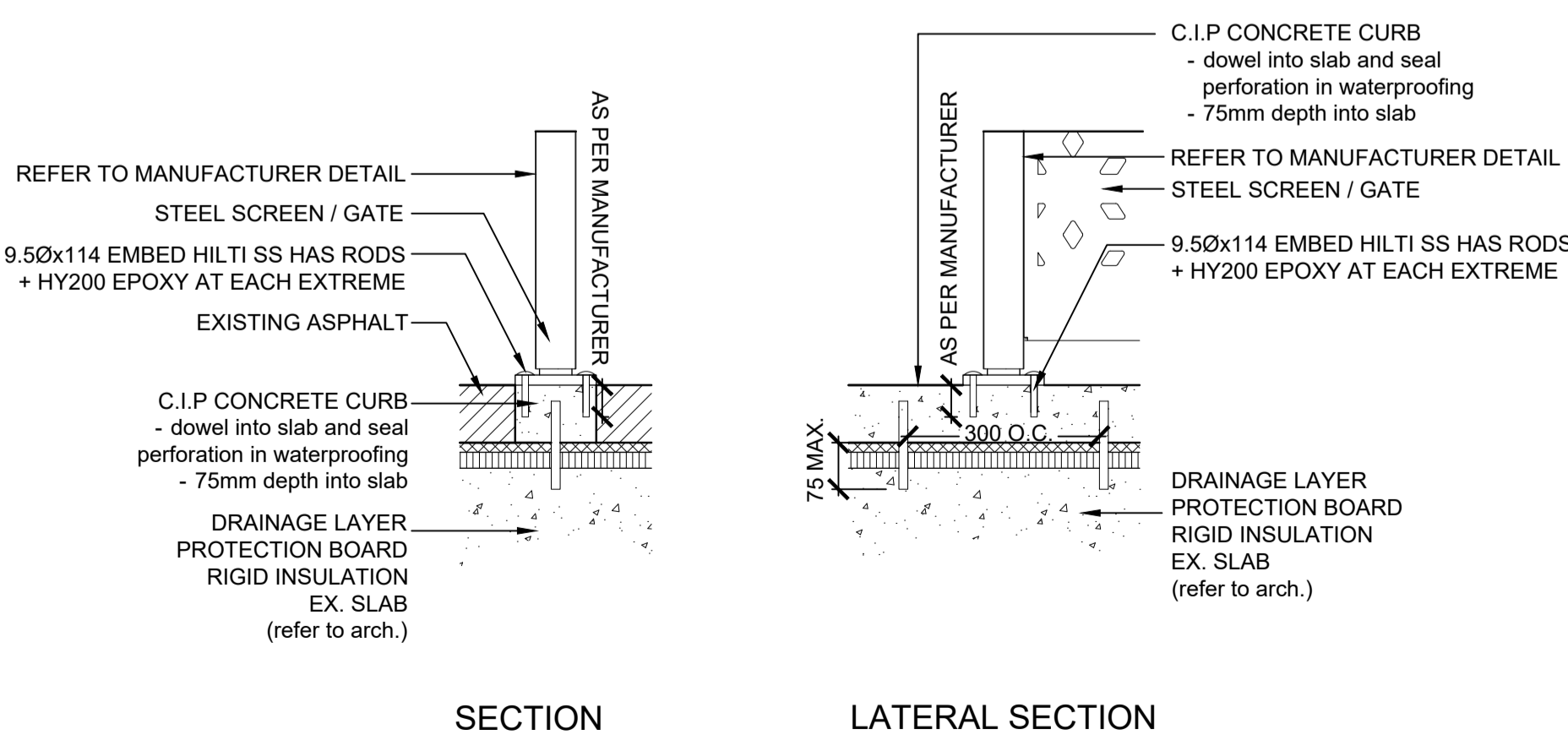
1 TREE PROTECTION BARRIERS
N.T.S.



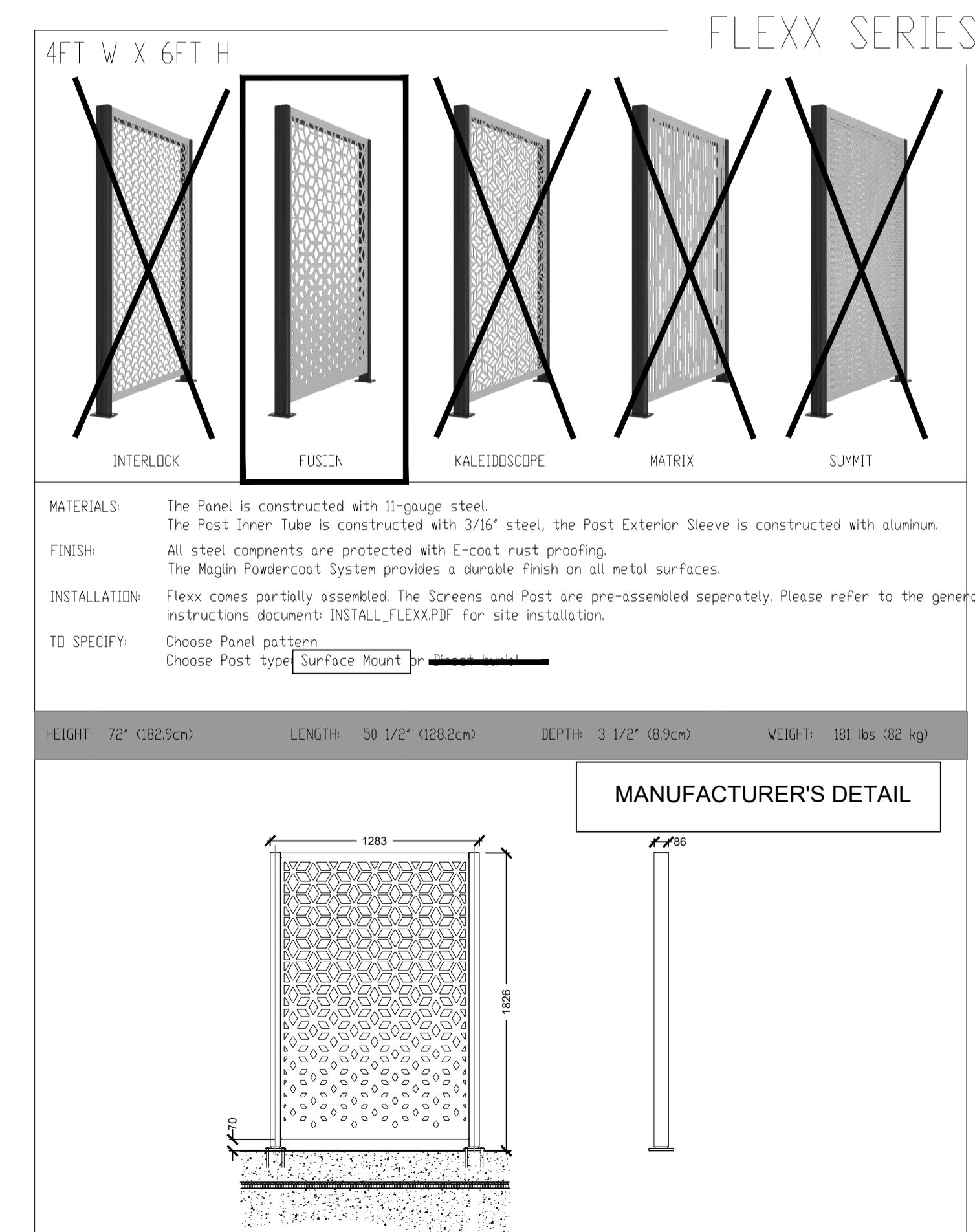
2 CONCRETE BARRIER CURB WITH SIDEWALK
N.T.S. CITY OF OTTAWA DETAIL SC1.4



3 CONCRETE PAVEMENT ON SLAB
1:10



4 CIP CONCRETE FLUSH CURB AT STEEL SCREEN / GATE
1:10

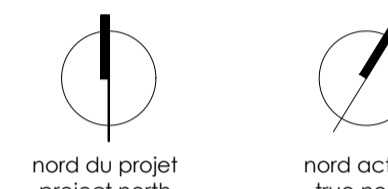


5 STEEL SCREEN/GATE
1:30



CONTACT:
JEFF RODDICK | MAGLIN SITE FURNITURE TERRITORY MANAGER
TF 1 800 716 5506 x 1232 | C 519-532-1914
T 519 539 6776 | F 877 260 9393
E jeff.roddick@maglin.com W www.maglin.com

COLOUR: TO BE GLOSS BRONZE 14
PATTERN: FUSION
INSTALLATION: SURFACE MOUNT



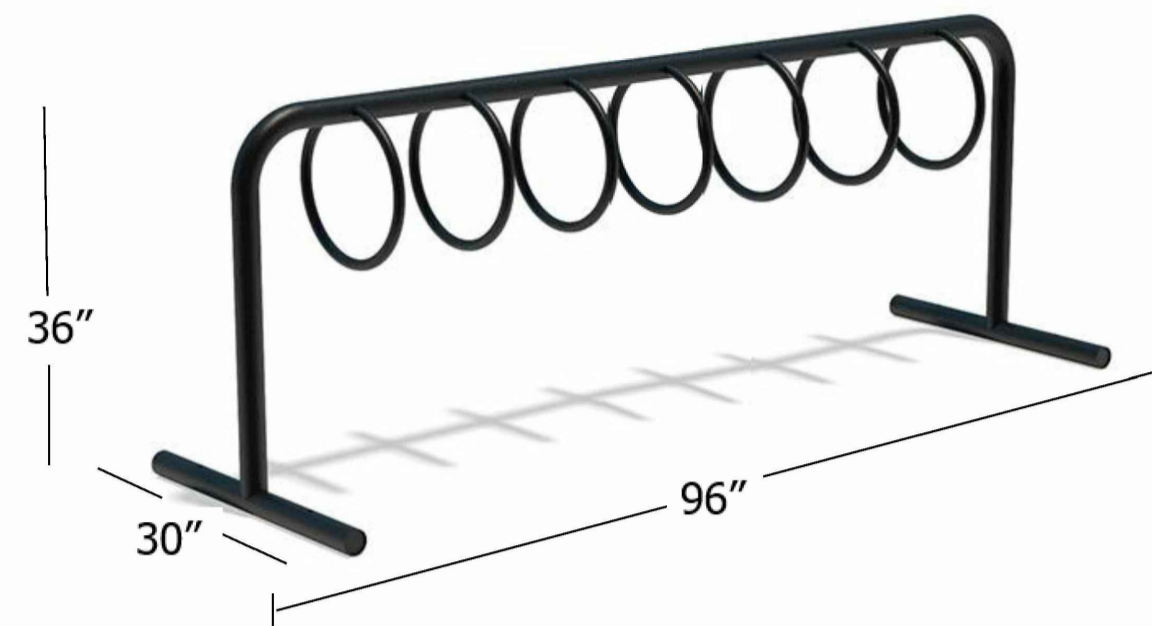
- CONTRACTOR SHALL CHECK AND VERIFY ALL DIMENSIONS AND REPORT ALL ERRORS AND OMISSIONS TO THE ARCHITECT.
- DO NOT SCALE THE DRAWINGS.
- NOT FOR CONSTRUCTION.



COMMERCIAL IN CONFIDENCE

CONTACT:
MazeWeld
Sana-Dee Inc.
T: 613-866-7357
Toll Free: 1-877-866-7357
info@mazeweld.com
www.mazeweld.com

Round-Dee 7 Rings



MANUFACTURER'S DETAIL

Length 96", Height 36", Depth 30"

Frame: 1.5" schedule 40 pipe (1.9" OD)

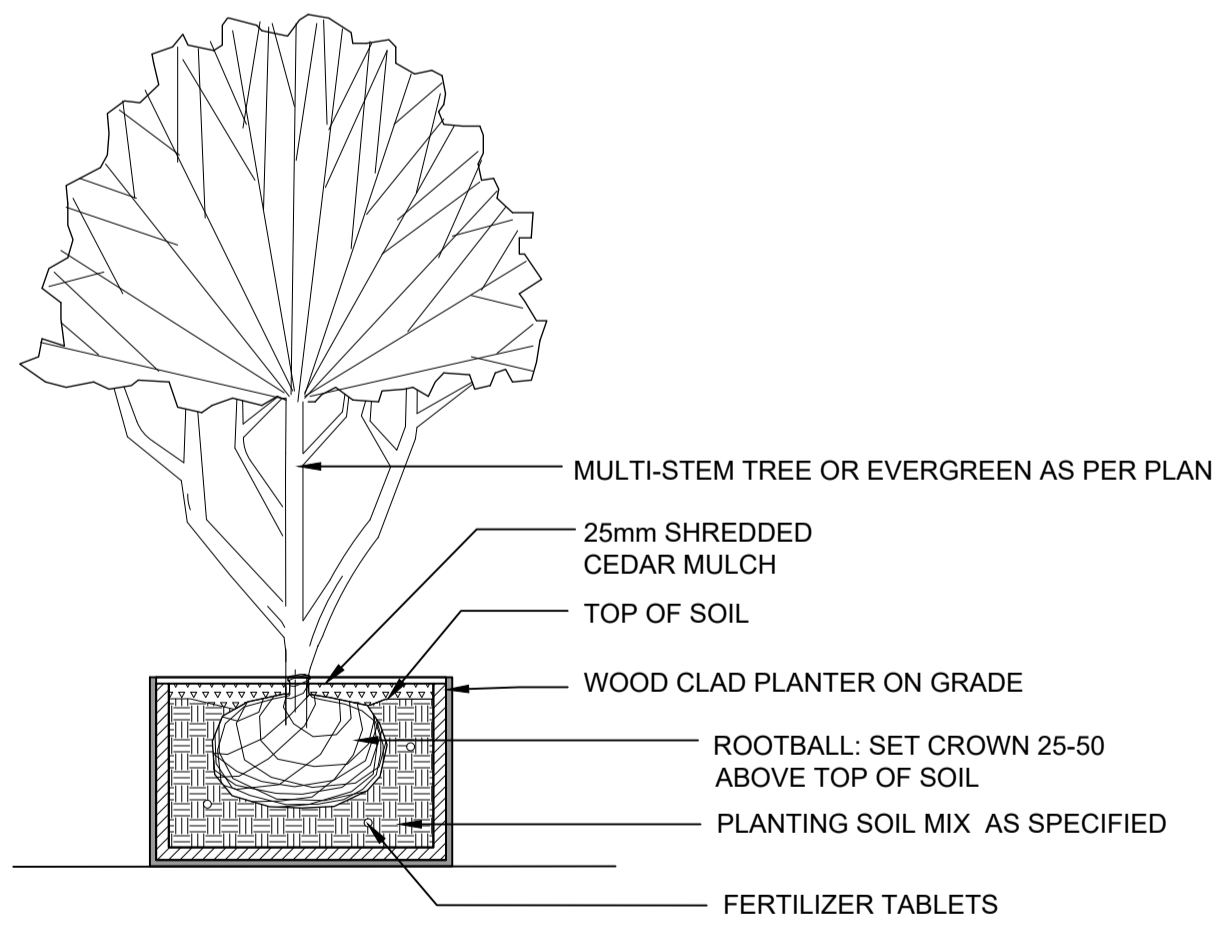
Loops: Extra thick commercial-grade steel-walled 3/4" pipe, schedule 40, diameter 17"

Finish: Mazeweld's Signature Powder Coating available in various colours

COMMERCIAL IN CONFIDENCE

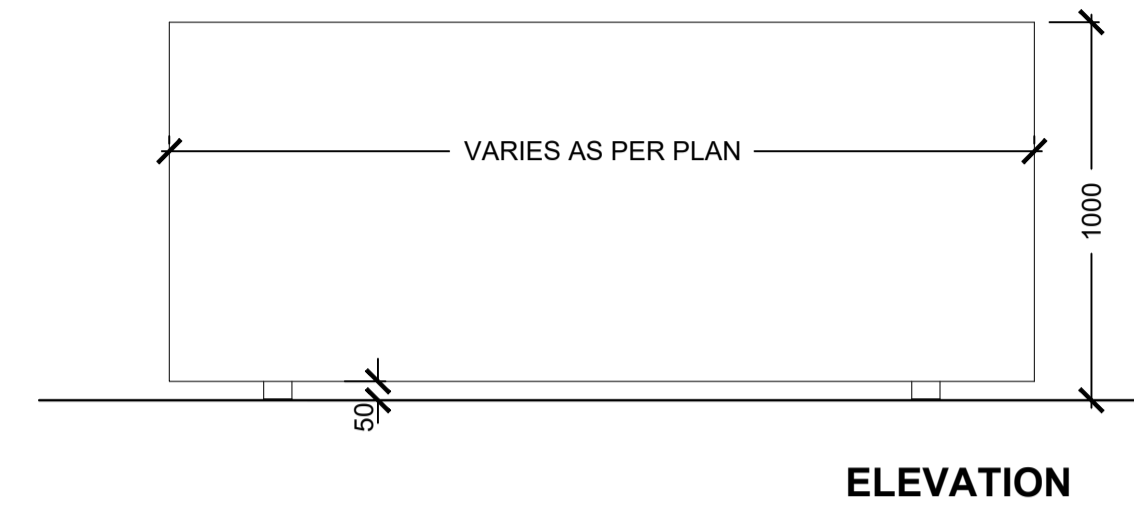
1 CITY OF OTTAWA STANDARD BIKE RACK

NTS

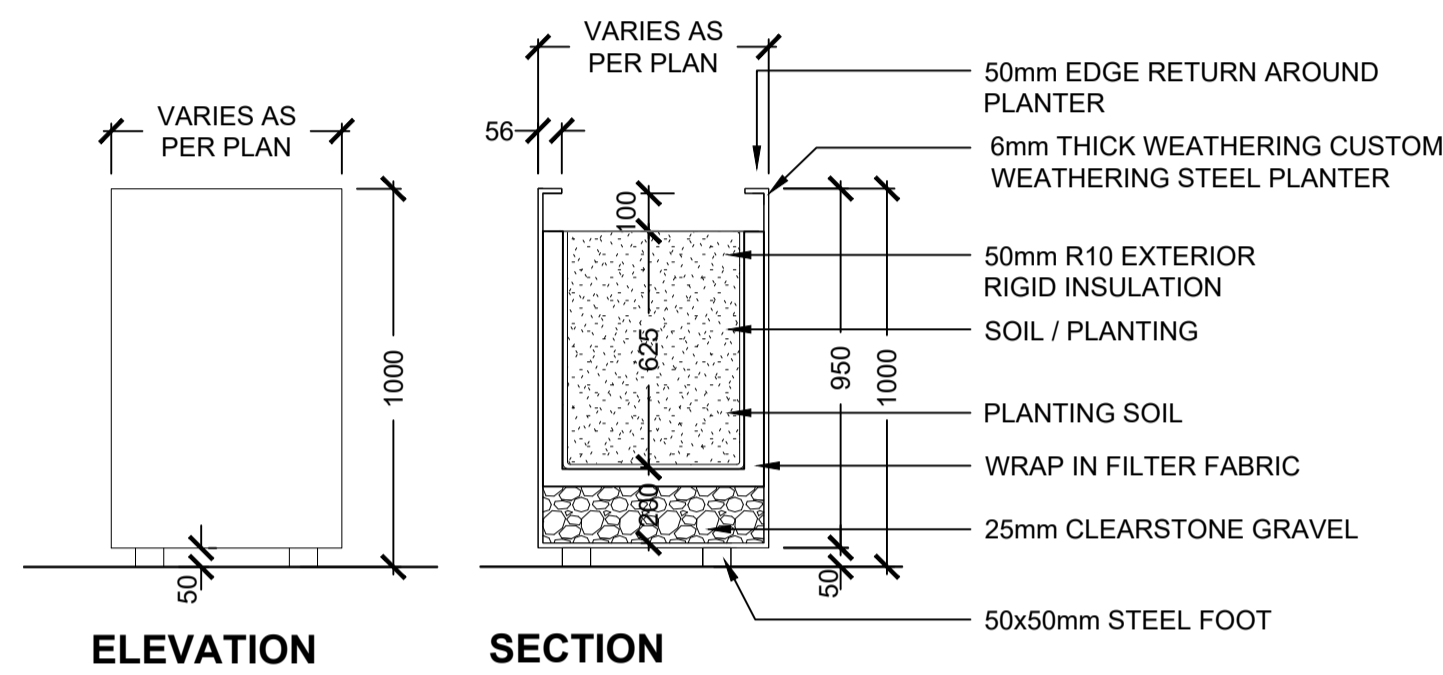


4 TREE PLANTING IN PLANTER

1:20



ELEVATION



ELEVATION

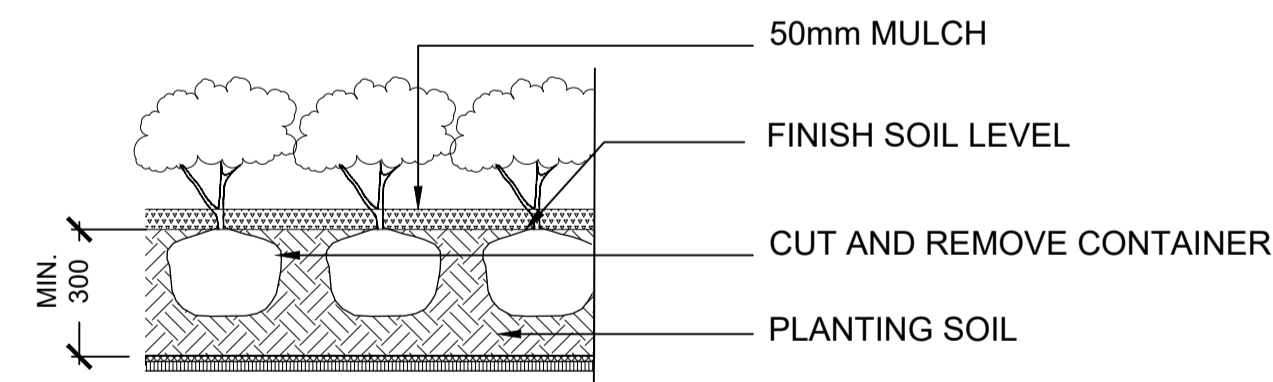
SECTION

2 CUSTOM STEEL PLANTER ON GRADE

1:20

3 WOOD CLAD PLANTER ON GRADE

1:20



NOTE:

- BASE OF PLANT TO RETAIN SAME LEVEL AS FINISH GRADE.
- PRUNE ONLY INJURED, INFECTED OR DEAD BRANCHES TO RETAIN SHAPE.
- WATER THOROUGHLY AFTER PLANTING.

5 PERENNIAL AND GRASS PLANTING

1:20

PLAZA
Product Data Sheet

landscapeforms



STYLE	DEPTH	WIDTH	HEIGHT	PRODUCT WEIGHT
48" Wood	47.5"	47.5"	30.5"	318 lb

These giant square planters in three sizes bring green to urban streetscapes and plazas where conventional planting is not feasible. Plaza's rugged painted steel structure is complemented with infill panels in a choice of wood or steel. A fiberglass inner basin and strong metal mesh bottom make these planters highly functional as well as visually striking.

Planter

•Wood: Thermally Modified Ash

- Planter is available only freestanding.
- Glides are made of cast stainless steel.
- Corners for planter are steel.
- Corners for planter are always powdercoated Matte Black.
- Liner for planter is made of fiberglass.

Designed by Santa & Cole
Spanish Industrial Design #131, 946

Visit our landscapeforms.com for more information. Specifications are subject to change without notice. Landscape Forms supports the Landscape Architecture Foundation at the Second Century level.

©2016 Landscape Forms, Inc. Printed in U.S.A.

Landscape Forms, Inc. | 800.521.2546 | F 269.381.3455 | 7800 E. Michigan Ave., Kalamazoo, MI 49048

CONTACT:
Tracy Cook, B.A., ISA, TRAQ
Central and Western Ontario
Landscape Forms Inc.
Office: 800.430.6206 x 1345
Cell: 647.407.4944
TracyC@landscapeforms.com
www.landscapeforms.com

INTERRENT
REIT

485 BANK ST #207, OTTAWA, ON K2P 1Z2
owner | propriétaire



structural engineers | ingénieur structure



530 - 1600 Carling Avenue Ottawa Ontario K1Z 1G3
1 613 230 1186 smithandandersen.com
MEP engineers | ingénieur MEP

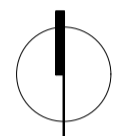
PARSONS
1223 MICHAEL STREET, SUITE 100, OTTAWA, ONTARIO K1J 7T2
Tel 613-738-4160 Fax 613-738-7105

civil engineers | ingénieur civil

Forest and Field Landscape Architecture

5 - 864 College Street Toronto Ontario M6H 1A3
1 647 933 1151 forestandfield.ca

landscape architects | architectes paysagistes



nord du projet
project north



nord actuel
true north

03 REISSUED FOR SPA 2020-10-22
02 REISSUED FOR SITE PLAN CONTROL 2020-04-06
01 ISSUED FOR SITE PLAN CONTROL 2019-12-06

no revisions date

stamp | timbre



architect | architecte

linebox
STUDIO

general notes | note générale

1. CONTRACTOR SHALL CHECK AND VERIFY ALL DIMENSIONS AND REPORT ALL ERRORS AND OMISSIONS TO THE ARCHITECT.
2. DO NOT SCALE THE DRAWINGS.
3. NOT FOR CONSTRUCTION.

project title

473 ALBERT
PROPOSED MIXED-USE RENOVATION

473 ALBERT STREET | OTTAWA | ONTARIO | CANADA

drawing title | titre du dessin

L01
LANDSCAPE DETAILS

scale | échelle as shown

drawing number | numéro du dessin

L01.201

#18100

D07-12-19-0203

PLANT MATERIALS LEGEND						
ABBR.	BOTANICAL NAME	COMMON NAME	QTY.	PLANTING SIZE	O.C. PLANT SPACING	NOTES
SHRUBS, PERENNIALS & GRASSES						
Ca	Calamagrostis acutiflora 'Karl Foerster'	Feather Reed Grass	370	2 GAL. POT	450mm	
Ef	Euonymus fortunei 'Coloratus'	Purple-leaf Wintercreeper	114	2 GAL. POT	450mm	
Ha	Hydrangea arborescens Incrediball	Smooth Hydrangea	41	7 GAL. POT	1000mm	1000mm height.
Pa	Pennisetum alopecuroides 'Hameln'	Hameln Fountain Grass	114	2 GAL. POT	450mm	

MATERIAL LEGEND

- PRECAST CONCRETE UNITS PAVING TYPE 2
2CM Paver | Block Bianco
- PRECAST CONCRETE UNITS PAVING TYPE 2
2CM Paver | AXI Grey Timber



485 BANK ST #207, OTTAWA, ON K2P 1Z2
owner | propriétaire



structural engineers | ingénieur structure



530 - 1600 Carling Avenue Ottawa Ontario K1Z 1G3
1 613 230 1186 smithandandersen.com
MEP engineers | ingénieur MEP

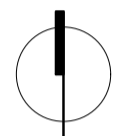


civil engineers | ingénieur civil

Forest and Field
Landscape Architecture

5 - 864 College Street Toronto Ontario M6H 1A3
1 647 933 1151 forestandfield.ca

landscape architects | architectes paysagistes



nord du projet
project north



nord actuel
true north

03 REISSUED FOR SPA 2020-10-22
02 REISSUED FOR SITE PLAN CONTROL 2020-04-06
01 ISSUED FOR SITE PLAN CONTROL 2019-12-06

no revisions date

stamp | timbre



architect | architecte



general notes | note générale

- CONTRACTOR SHALL CHECK AND VERIFY ALL DIMENSIONS AND REPORT ALL ERRORS AND OMISSIONS TO THE ARCHITECT.
- DO NOT SCALE THE DRAWINGS.
- NOT FOR CONSTRUCTION.

project title

473 ALBERT

PROPOSED MIXED-USE RENOVATION

473 ALBERT STREET | OTTAWA | ONTARIO | CANADA

drawing title | titre du dessin

L12
MATERIALS PLAN

0 5m

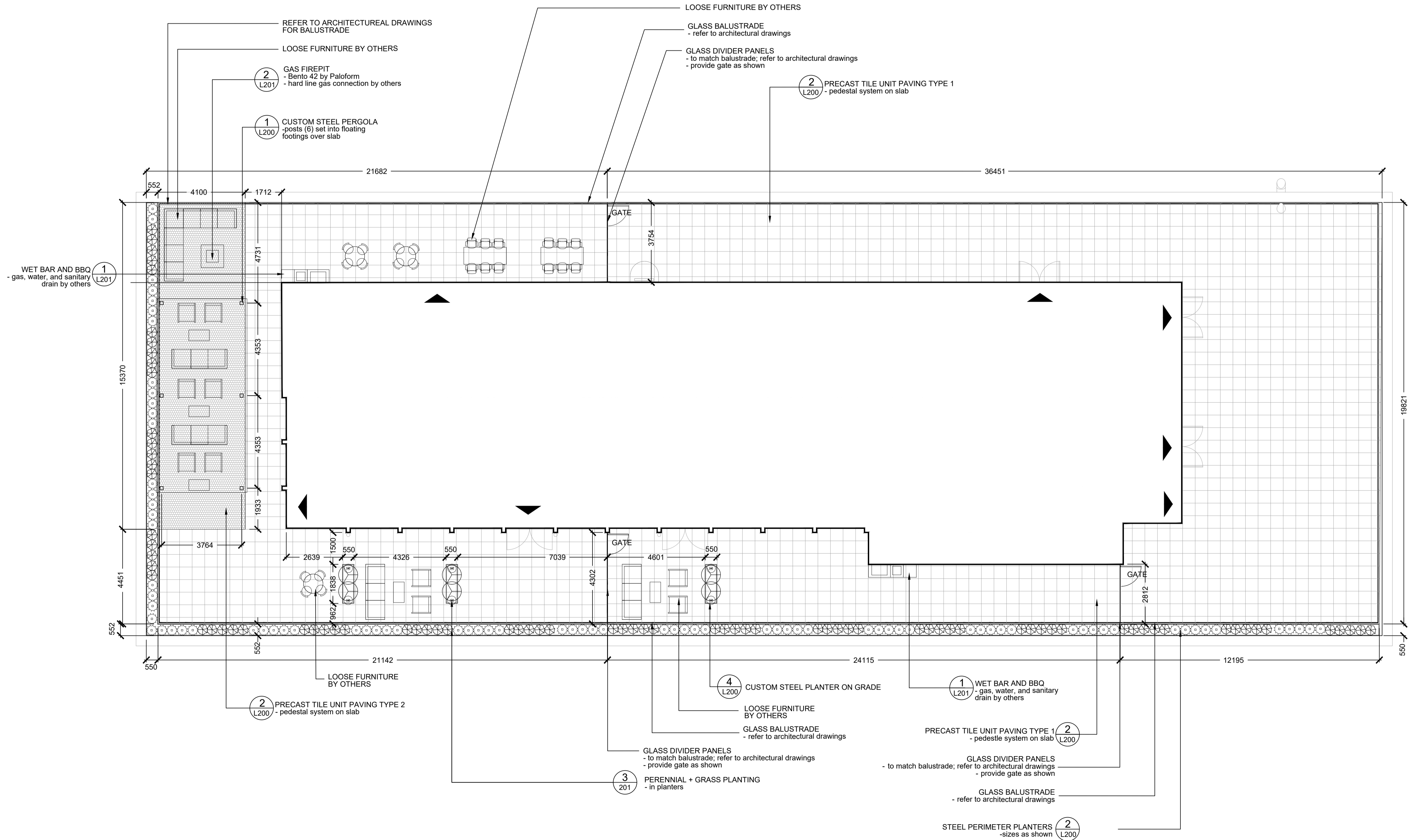
scale | échelle 1:100

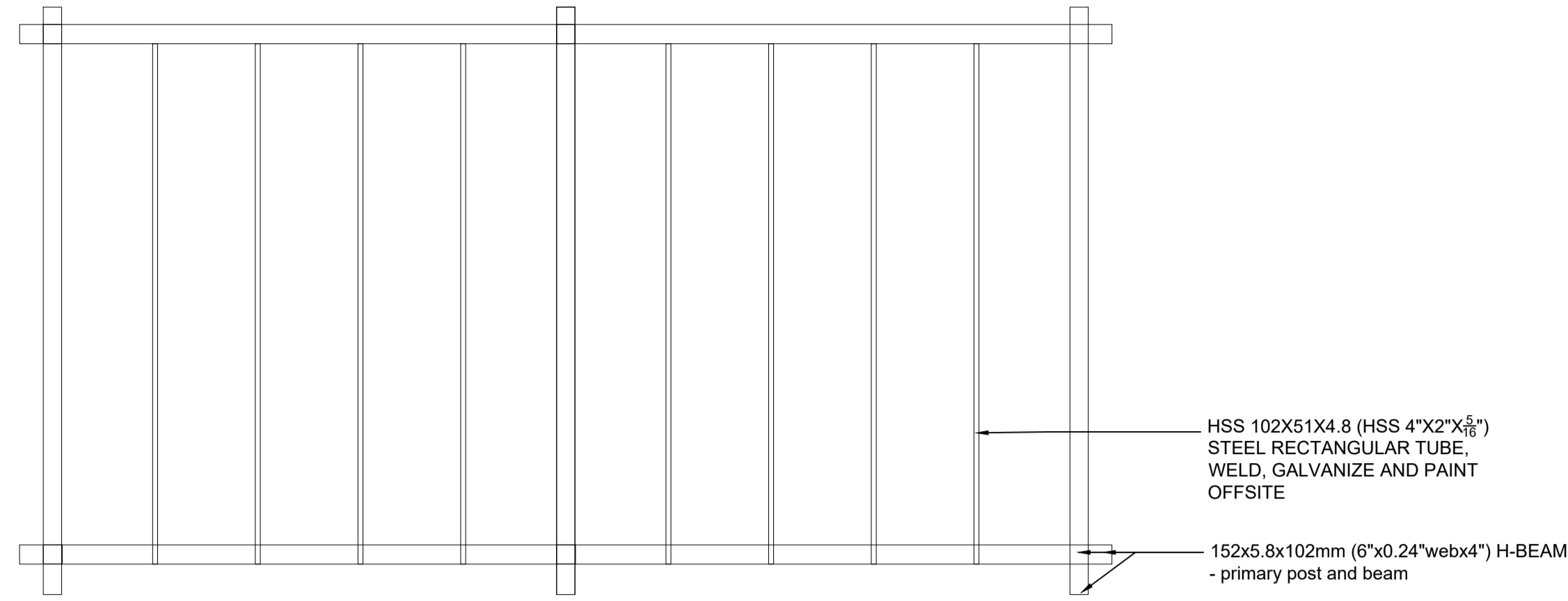
drawing number | numéro du dessin

L12.100

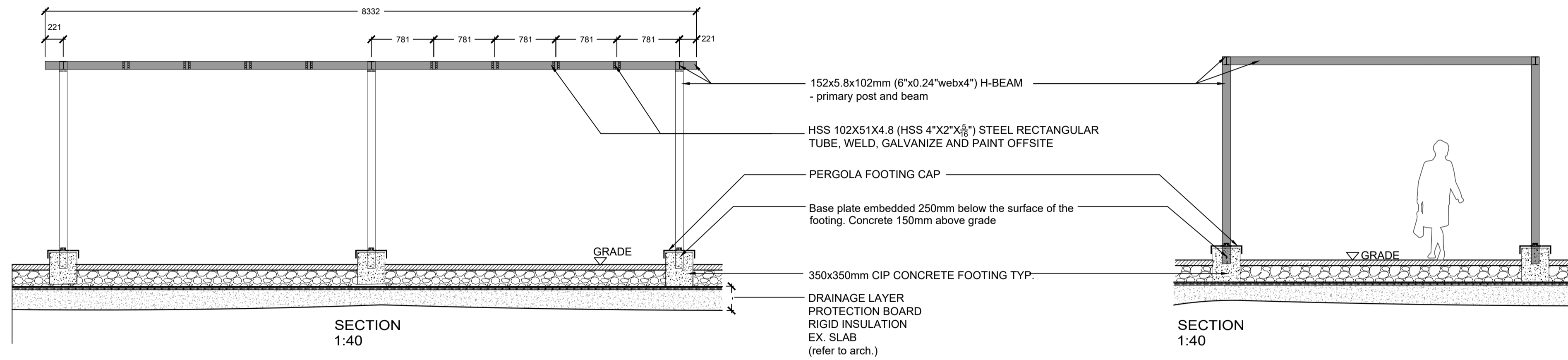
#18100

D07-12-19-0203





PLAN
1:40



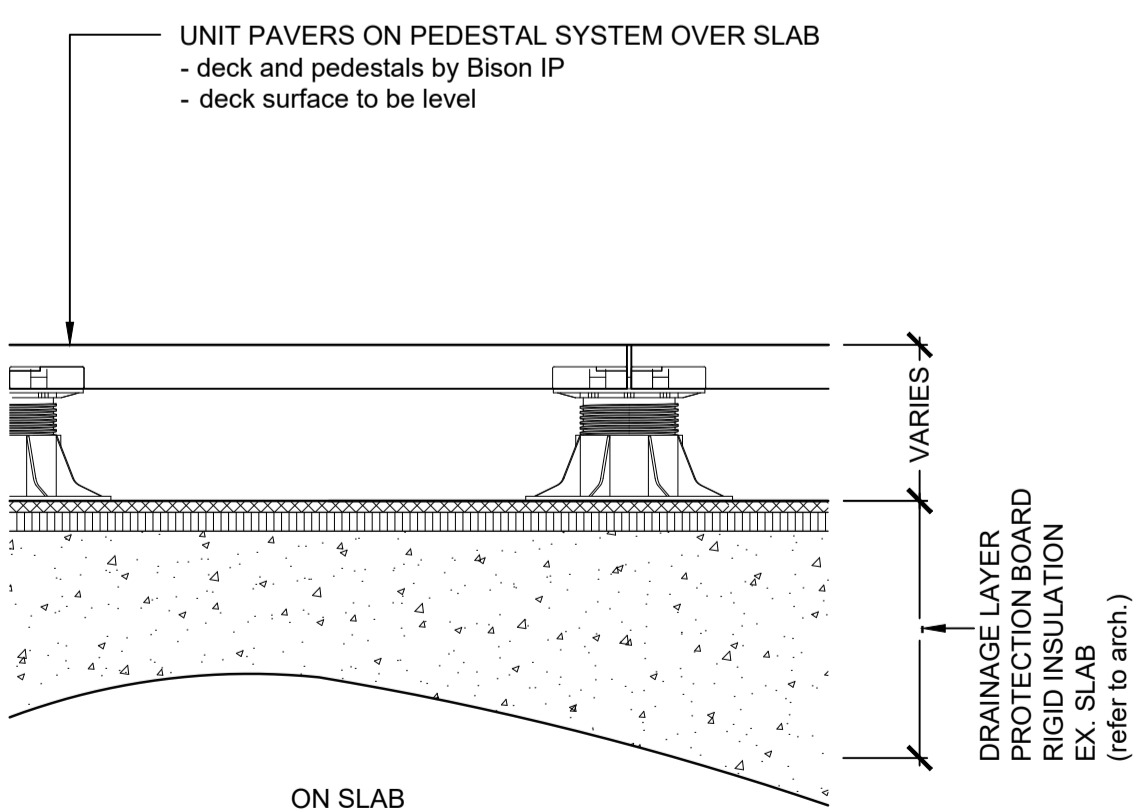
SECTION
1:40

SECTION
1:40

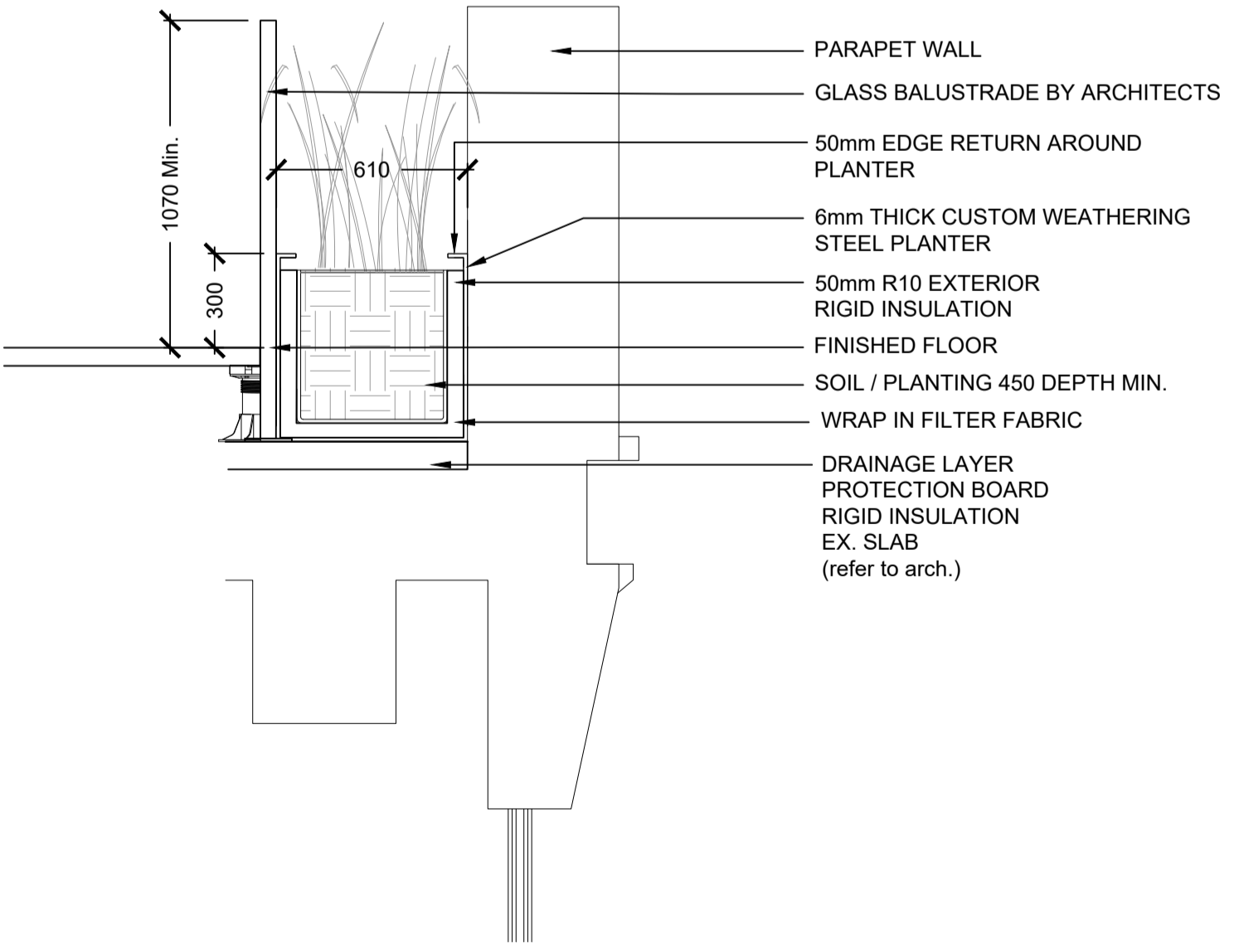
1 CUSTOM STEEL PERGOLA
1:40

BISON 2CM PAVERS (PT-24-BISON)

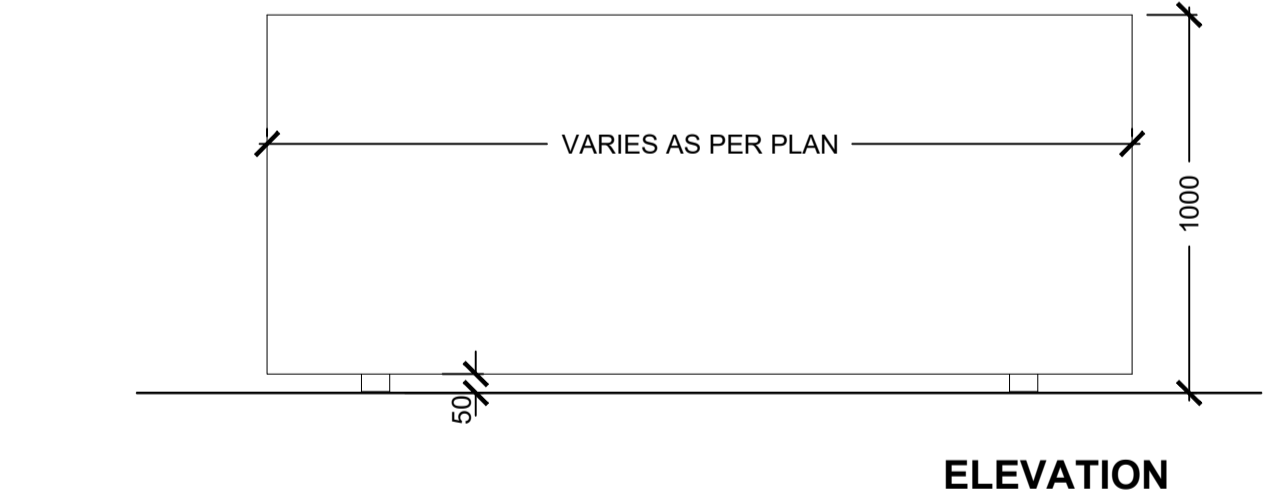
- Colour: Block Bianco and AXI Grey Timber
- Fastening System: Bison FS-1 Fastening Kit
- Modular size: 2' x 2'
- Pedestal spacing: 2' grid
- Standards Compliance: ASTM E108-07a Class A Spread of Flame, ASTM C1028-07 Slip Resistance, ASTM TAS108-95 Wind Uplift
- General Notes: 1. Installation must be completed in accordance with bison innovative products specifications. 2. For product and company information visit www.bisonip.com



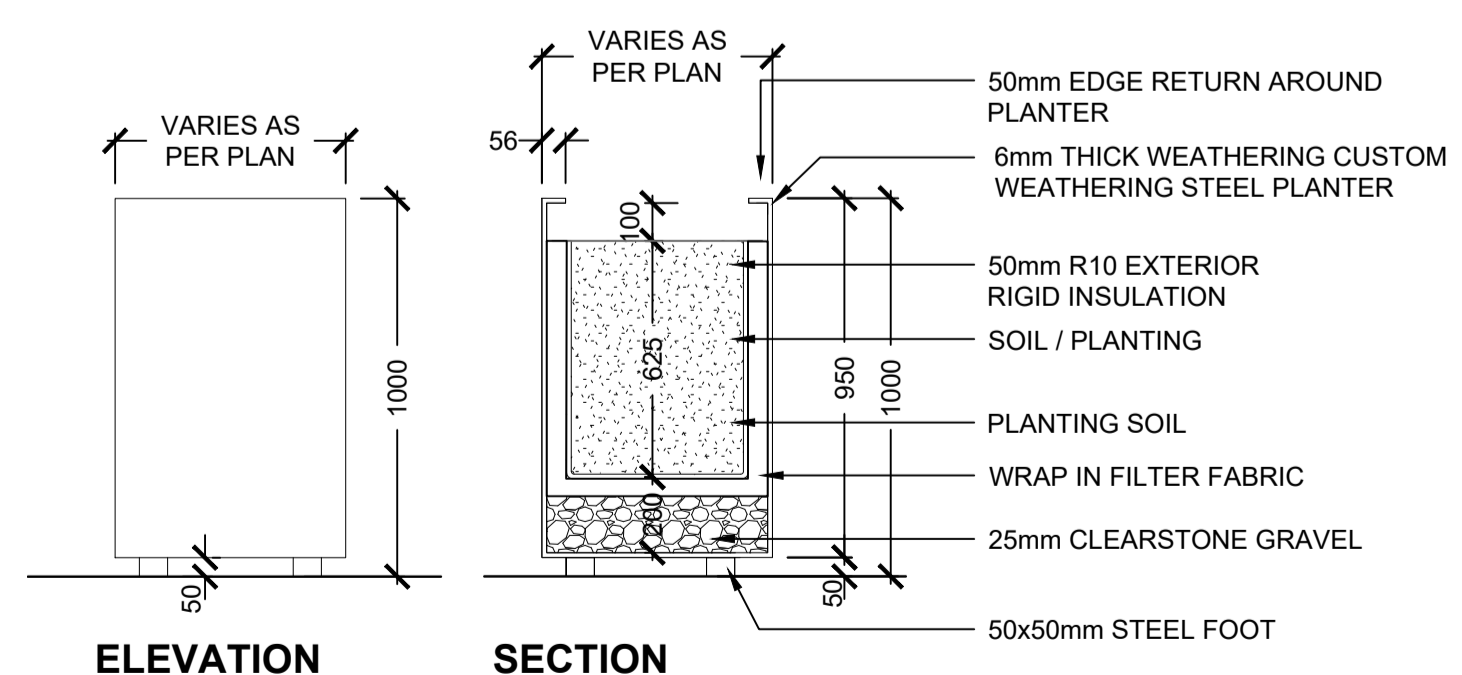
2 PRECAST CONCRETE UNIT PAVERS OVER SLAB
1:10



3 STEEL PERIMETER PLANTERS
1:20



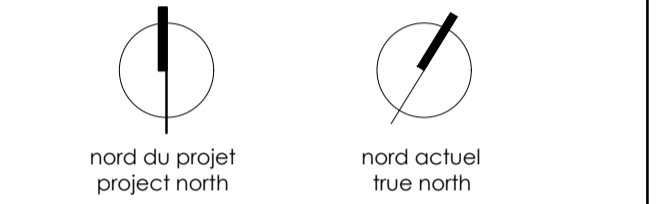
ELEVATION



ELEVATION

SECTION

4 CUSTOM STEEL PLANTER ON GRADE
1:20



03	REISSUED FOR SPA	2020-10-22
02	REISSUED FOR SITE PLAN CONTROL	2020-04-06
01	ISSUED FOR SITE PLAN CONTROL	2019-12-06
no	revisions	date



- general notes | note générale
- CONTRACTOR SHALL CHECK AND VERIFY ALL DIMENSIONS AND REPORT ALL ERRORS AND OMISSIONS TO THE ARCHITECT.
 - DO NOT SCALE THE DRAWINGS.
 - NOT FOR CONSTRUCTION.

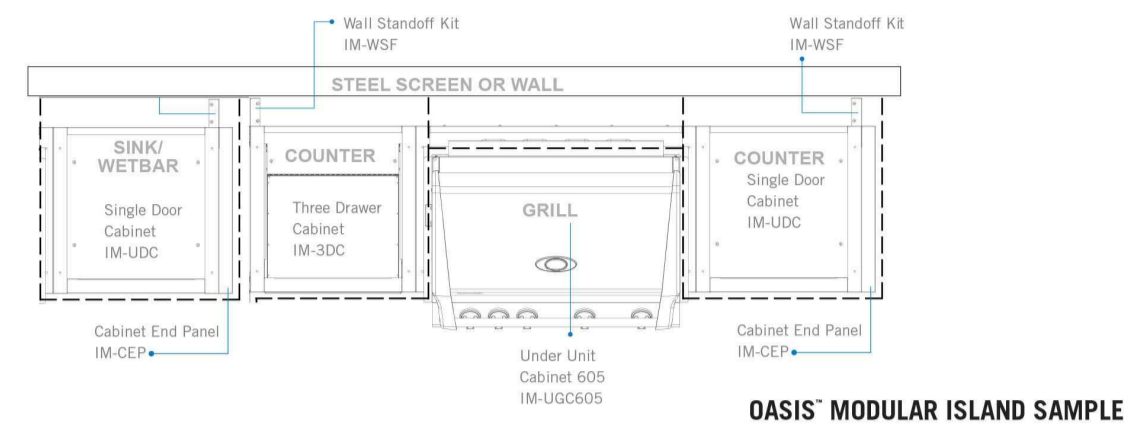
473 ALBERT
PROPOSED MIXED-USE RENOVATION
473 ALBERT STREET | OTTAWA | ONTARIO | CANADA

L12 LANDSCAPE DETAILS

scale | échelle as shown

D07-12-19-0203

The Napoleon Oasis[™] Modular Island series has been developed with versatility in mind.

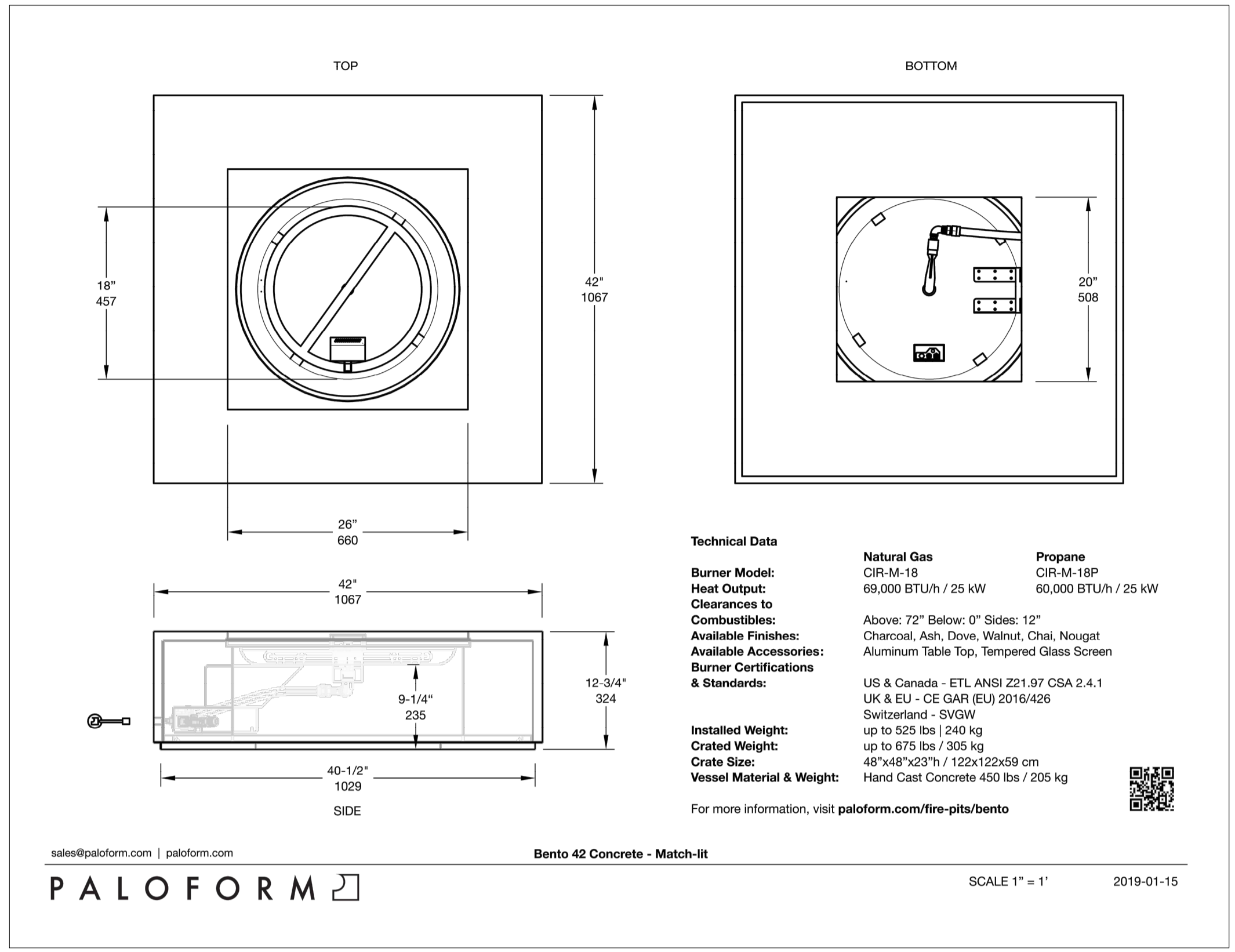


OASIS[™] MODULAR ISLAND SAMPLE



The countertop material must be non-combustible if a grill is to be installed into it. They can be ordered in advance by drawing out the floor plan of how the cabinets will be situated and adding up the width measurements, allowing 1" of countertop overhang. Most countertop manufacturers are willing to come and take measurements after assembly of the cabinets is complete to ensure a perfect fit. For best results the countertop thickness should be between 1" to 1 1/2" thick. The built-in grill head comes with stainless steel brackets and hardware that allow the unit to rest on the countertop above the corresponding island cabinet for that unit. Granite is an excellent choice of countertop materials. Decorative countertops made of ceramic tile set on top of cement slab board can be selected to match your surrounding backyard furniture color.
* Countertops must be ordered and supplied locally by the homeowner.

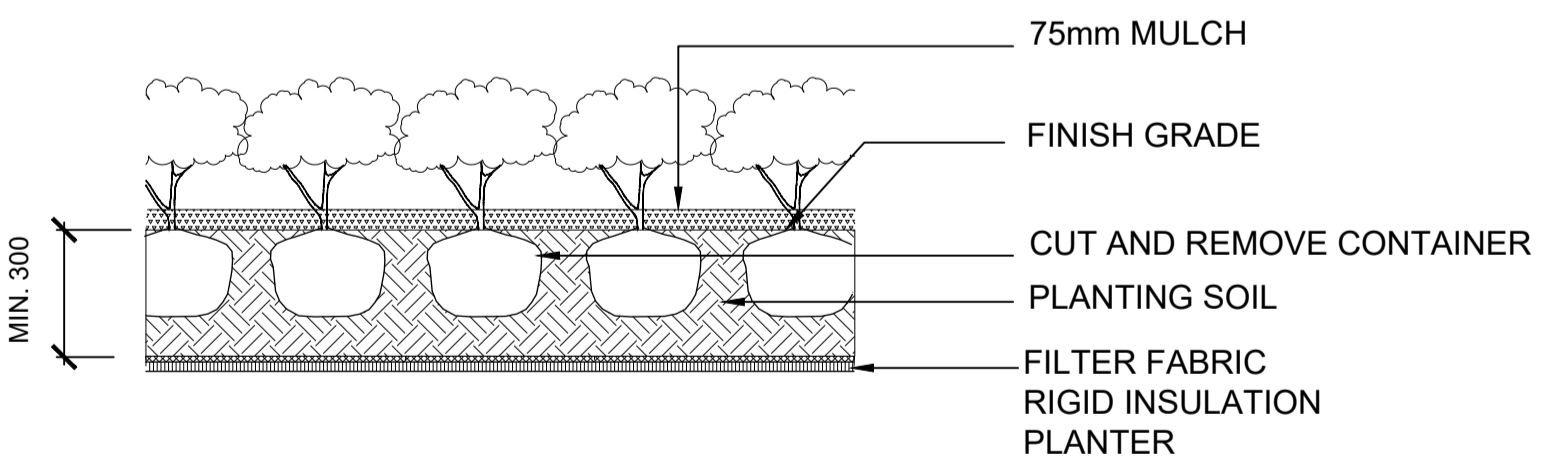
BUILT-IN NATURAL GAS HOOK-UP
The piping up to the gas grill is the responsibility of the installer and piping should be located as shown in the built-in instructions. Do not use hose to connect the unit. It must be connected with rigid pipe, copper tube or an approved flexible metal connector which complies with Z21.4 CSA & 10. The installation must comply with CAN B149.1 Natural Gas and Propane Installation Code in Canada or to the National Fuel Gas Code, ANSI Z223.1 in the United States. The gas supply pipe must be sufficiently sized to supply the BTU/h specified on the rating plate, based on the length of the piping run. If installing a side burner, a separate line must be branched off to the side burner unit and enter the side burner opening at the specified location.



sales@paloform.com | paloform.com **Bento 42 Concrete - Match-It** SCALE 1" = 1' 2019-01-15

1 WET BAR AND BBQ
1:20

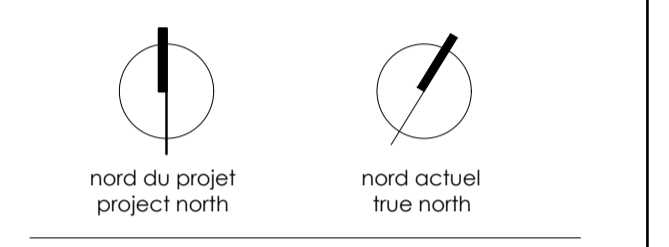
2 GAS FIREPIT
1:20



ON SLAB

NOTE:
 -BASE OF PLANT TO RETAIN SAME LEVEL AS FINISH GRADE.
 -PRUNE ONLY INJURED, INFECTED OR DEAD BRANCHES TO RETAIN SHAPE.
 -WATER THOROUGHLY AFTER PLANTING.

3 PERENNIAL AND GRASS PLANTING
1:20



03 REISSUED FOR SPA 2020-10-22
 02 REISSUED FOR SITE PLAN CONTROL 2020-04-06
 01 ISSUED FOR SITE PLAN CONTROL 2019-12-06

no revisions date
stamp | timbre



general notes | note générale
 1. CONTRACTOR SHALL CHECK AND VERIFY ALL DIMENSIONS AND REPORT ALL ERRORS AND OMISSIONS TO THE ARCHITECT.
 2. DO NOT SCALE THE DRAWINGS.
 3. NOT FOR CONSTRUCTION.

project title
473 ALBERT
PROPOSED MIXED-USE RENOVATION

473 ALBERT STREET | OTTAWA | ONTARIO | CANADA

drawing title | titre du dessin

scale | échelle **L12**
LANDSCAPE DETAILS

scale | échelle as shown

drawing number | numéro du dessin

L12.201