

## Structural Comments SC-01

<u>Project:</u>	Aluminum Decking	<u>Project No.</u>	517-9
<u>Location:</u>	Ottawa, ON	<u>Date:</u>	Apr. 26, 2019
<u>Client:</u>	Aluminum Depot Gatineau	<u>Report #.</u>	1
<u>Issued By:</u>	Brett Perras, P. Eng.	<u>Distribution:</u>	Claude Poirier

---

**Subject:** Aluminum Decking  
Aluminum Depot Gatineau

Leekor Engineering completed a structural review of the Aluminum Decking structural drawing 624940-000-43DD-001 REV 0, dated 2015-01-08. Based on the mentioned review, a live load of 4.80 kPa and a dead load of 0.48 kPa was applied to the 6" wide decking strips as a uniform distributed load.

A design check was completed for the decking spanning a maximum of 24" on center as per general site conditions given by Aluminum Depot. Leekor Engineering can confirm that the Aluminum Decking is in general conformance with the design requirements of the 2012 Ontario Building Code, including amendments and the structural design specifications of the National Building Code as defined in Division B, Section 4.3.5. "Aluminum" and conforms to CAN 3-S157-M "Strength Design in Aluminum". The Aluminum Decking also meet the safety objectives of the Ontario Building Code as defined in Division A, Section 2.2, Table 2.2.1.1. Category "Structural Safety", Number "OS2".

### END OF STRUCTURAL COMMENTS

Should you have any questions regarding this report please contact the undersigned.

**LEEKOR Engineering Inc.,**

Brett Perras, P. Eng.



359 Kent Street Suite 501 Ottawa, Ontario K2P 0R6  
Phone (613) 234-0886 Fax (613) 233-4413 info@leekor.com

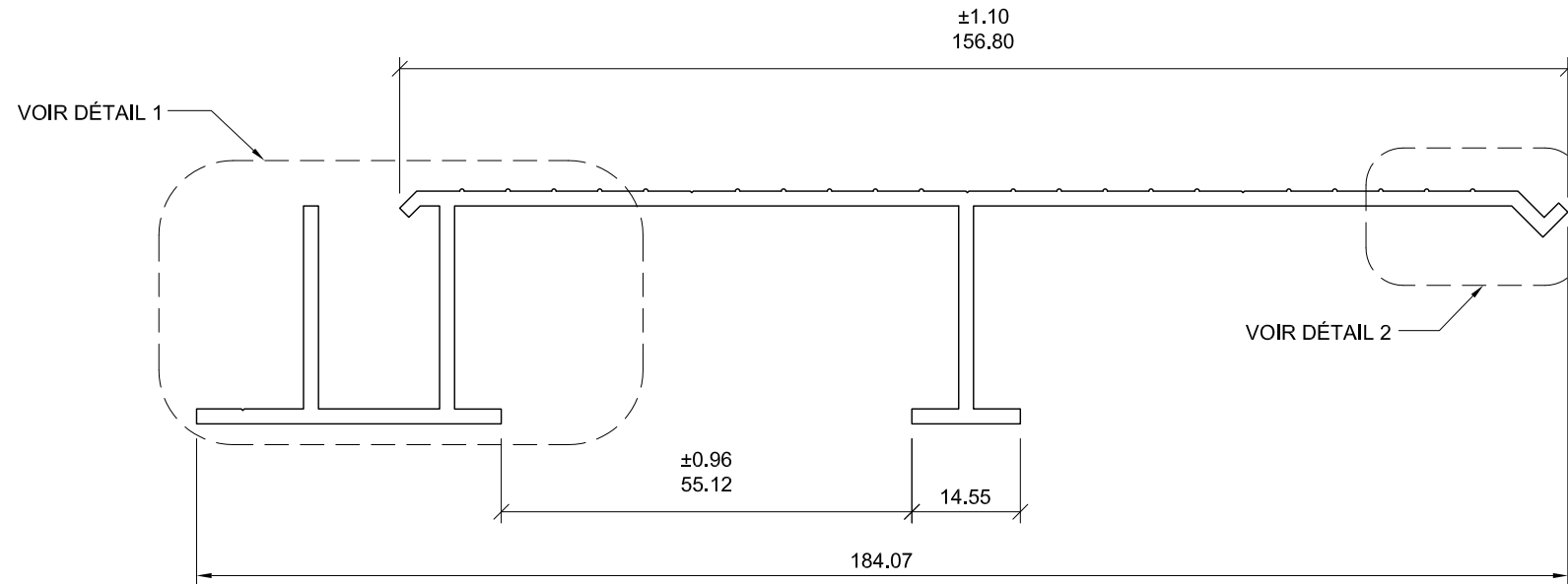




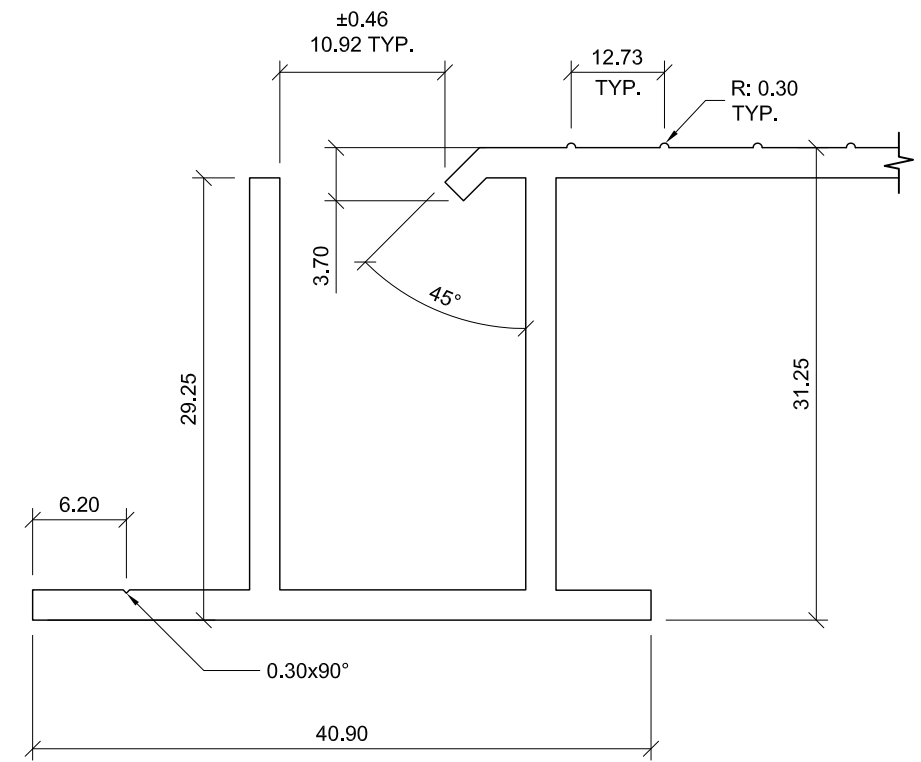
359 Kent Street Suite 501 Ottawa, Ontario K2P 0R6  
Phone (613) 234-0886 Fax (613) 233-4413 [info@leekor.com](mailto:info@leekor.com)

Format: ANSIB 11"x 17" (280 x 432 mm) Ver.:3.7 2014-05-12

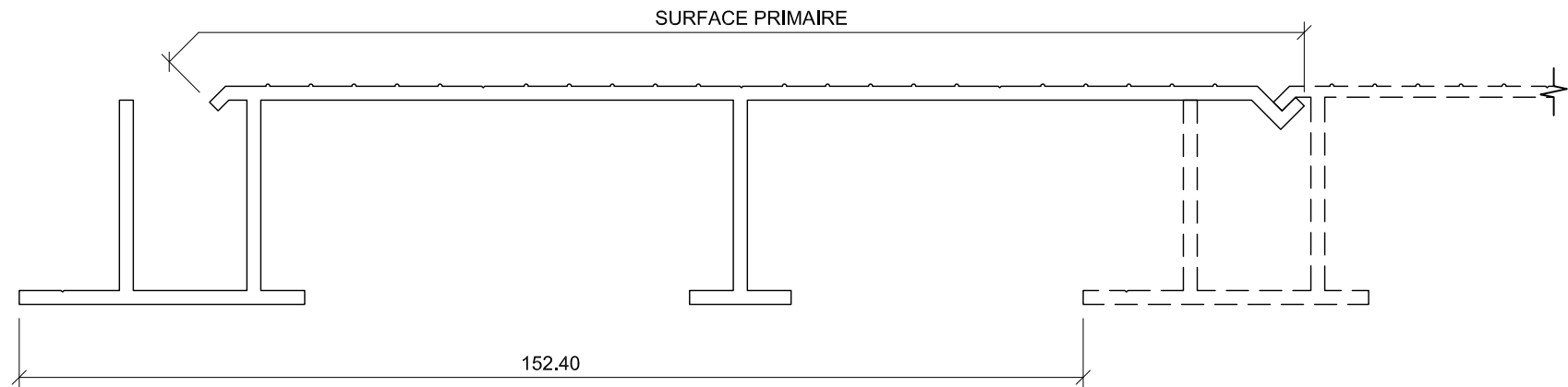
ALLIAGE	6063-T5
ALUMINIUM	
MASSE LINÉAIRE (kg/m)	1.62



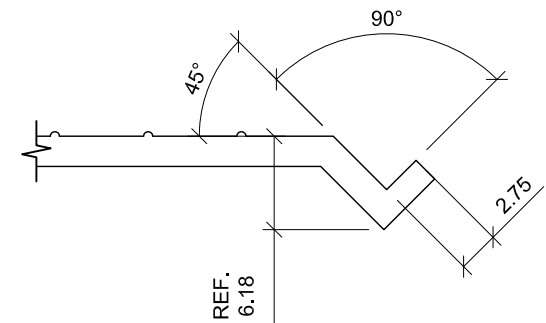
**PROFIL**  
ÉCHELLE : 1:1



**DÉTAIL 1**  
ÉCHELLE : 2:1



**ASSEMBLAGE**  
ÉCHELLE : 1:1




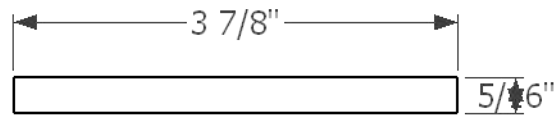
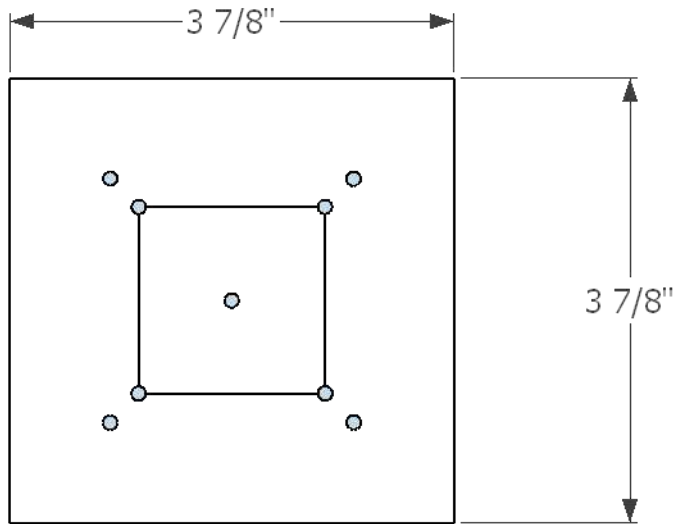
**DÉTAIL 2**  
ÉCHELLE : 2:1



NOTE:  
BASÉ SUR LES SPÉCIFICATIONS  
TECHNIQUES DE METRA ALUMINIUM INC.

Tracé par: "Garnv2", 2015-01-21 14:12:09 (Lis: 1.00 ; Mea: 1)  
P:\300-RN\624940\0000\4-Ingénierie\4-Dessins maitres\43-ST\624940-0000-ST-MT.dwg

			Dessiné par : <b>Valérie Garneau, tech.</b>		Date orig. : 2015-01-08		 <b>STAVIBEL</b> SERVICES D'INGÉNIERIE Stavibel 150, rue Gamble Ouest Rouyn-Noranda (Québec) J9X 2R7 Tél. : 819 764-5181 Téléc. : 819 797-0158 Courriel : stavibel-rn@stavibel.qc.ca www.stavibel.qc.ca	Titre : <b>STRUCTURE</b>	
			Conçu par :		Chargé de projet : <b>Isabelle Leclerc</b>			PROFILÉ DE PLANCHER EN ALUMINIUM	
			Vérifié par : <b>Danny Shane, ing.</b>		Projet n° : 624940-0000		Client / Projet : <b>ALUMINIUM DÉPOT GATINEAU PROFILÉ EN ALUMINIUM</b>		
			Approuvé par : <b>Danny Shane, ing.</b>		Référence :		Échelle : TEL QU'INDIQUÉ		
0	2015-01-21	ÉMIS POUR INFORMATION SEULEMENT	V.Gar	D.Sha	D.Sha	Dessin n° : <b>624940-0000-43DD-0001</b>		Rév. n° : <b>0</b>	
REV	DATE	ÉMISSIONS	PAR	VÉR.	APP.				

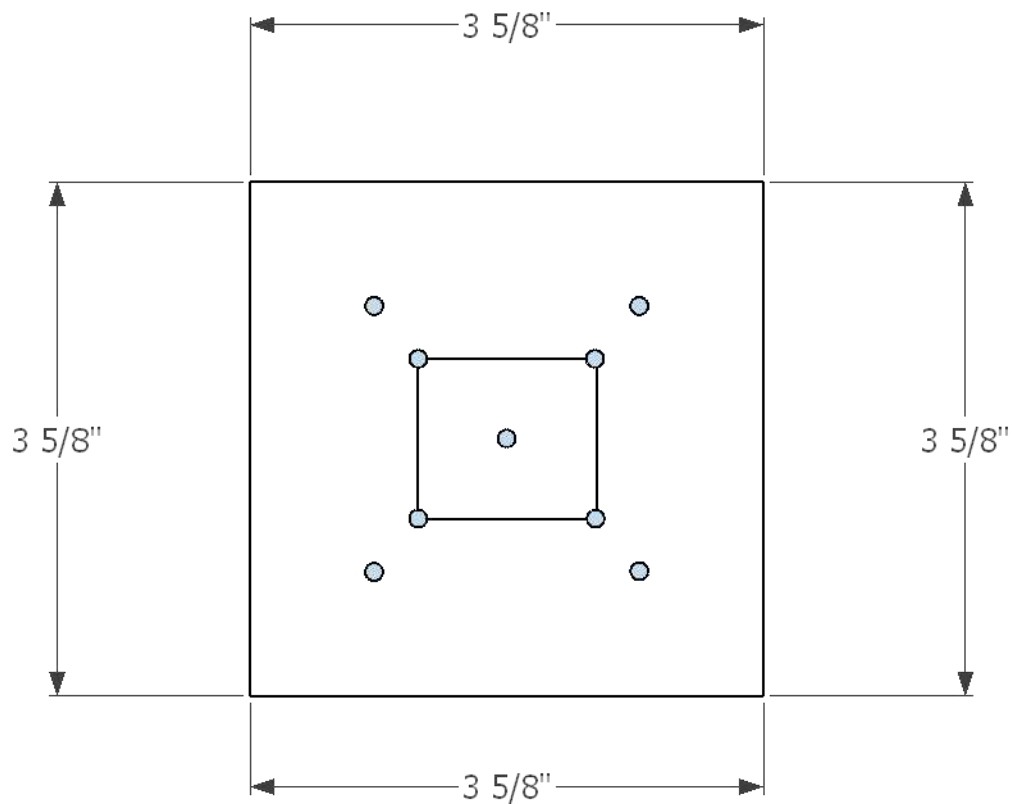


M12004  
 Weight : 2.713 Kg/m  
 AP: 287.03 mm  
 Unsepec thinckness 5/16  
 Unspec radius 1/16  
 Alloy 6061-T6  
 Finishing : MF  
 Unspec id mark: 7/8  
 All Dimension are in inch



1623, rue Atmec, unité 4, Gatineau (Québec) J8R 0H8  
 Gatineau: 819-663-5002/Ottawa: 613-909-8951/Fax: 819-663-4628

Client:	Vendeur:	Date:
		Page(s)
Adresse:	Mesuré par:	
	Approuvé par:	
Numero de commande:	Dessiné par: Mélina Poirier	



M12004

Weight : 2.713 Kg/m  
 AP: 287.03 mm  
 Unsepec thinckness 5/16  
 Unspec radius 1/16  
 Alloy 6061-T6  
 Finishing : MF  
 Unspec id mark: 7/8  
 All Dimension are in inch



1623, rue Atmec, unité 4, Gatineau (Québec) J8R 0H8  
 Gatineau: 819-663-5002/Ottawa: 613-909-8951/Fax: 819-663-4628

Client:

Adresse:

Numero de commande:

Vendeur:

Mesuré par:  
 Approuvé par:

Dessiné par: Mélina Poirier

Date:

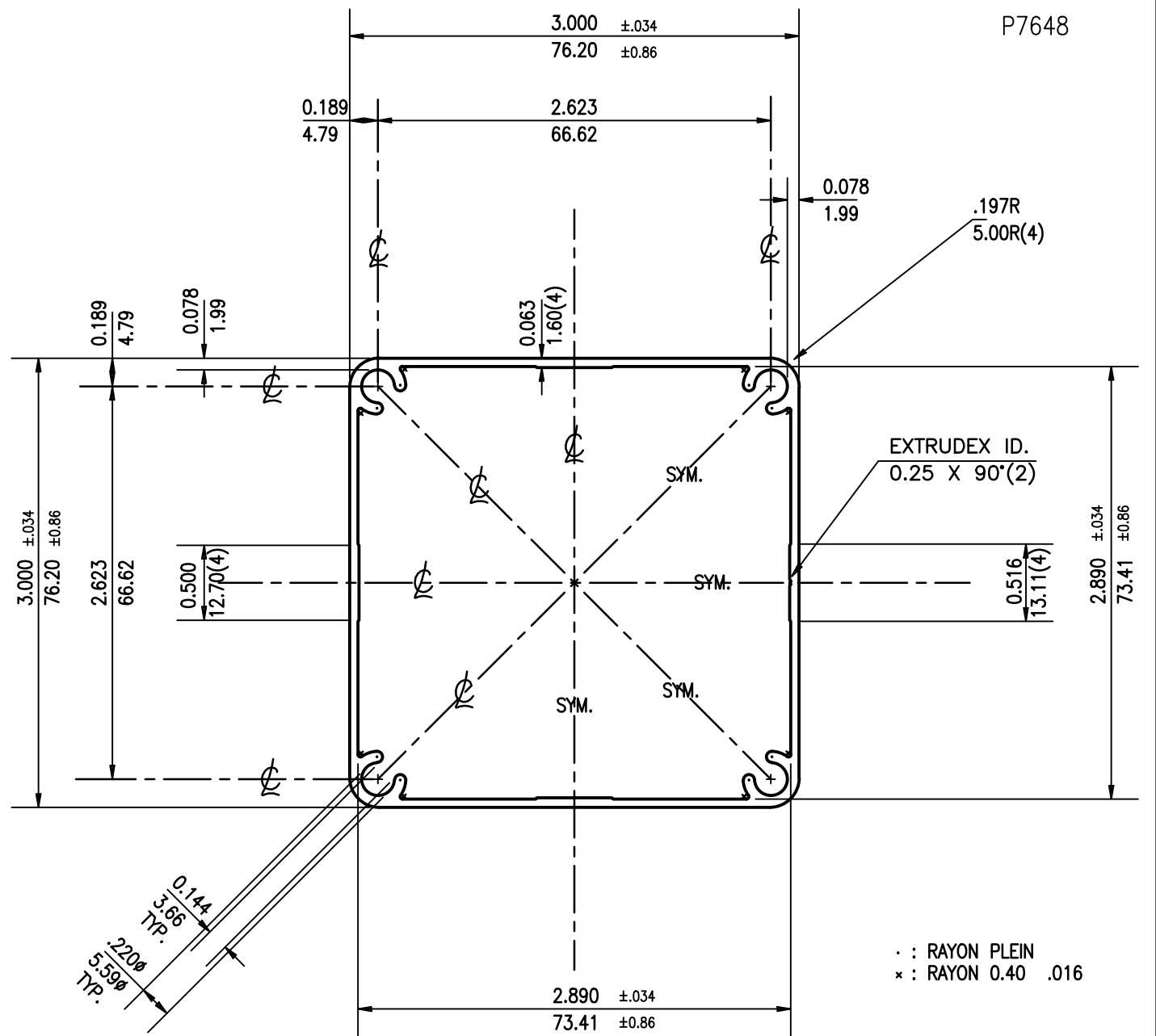
Page(s)

CUSTOMER NO.

M.C.M.E.L.

DIE NO.

-4  
V-15148



PER. EXT.: 11.662(296.21)

UNMARKED THICKNESS 0.055(1.40)  
 BREAK CORNERS .010" (0.25mm), OUTSIDE CORNERS .015" (0.38mm)  
 STANDARD TOLERANCES TO APPLY UNLESS OTHERWISE STATED.

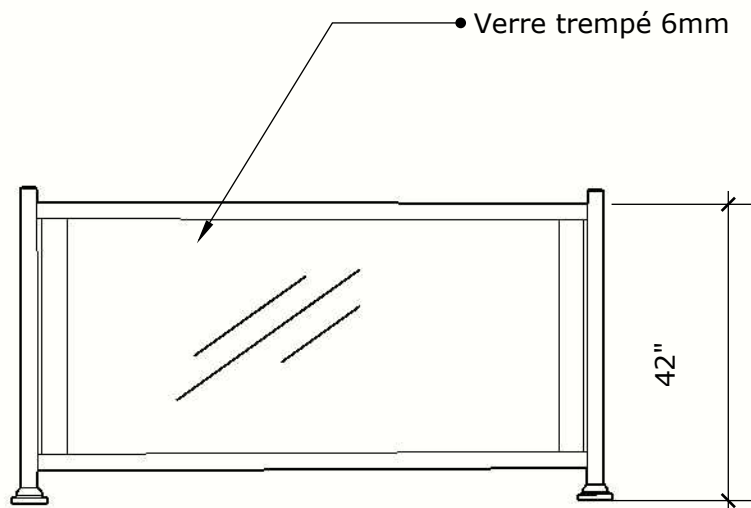
**\*\* GRANDEUR REELLE \*\***  
**\*\* EXPOSEE TOUT LE TOUR \*\***

DETAIL:  
 EXTRUDEX ID.

DESCRIPTION		POTEAU 3 X 3						DIE NO. V-15148	
DWN. BY	Rich	DATE	02/22/07	DIE SIZE	10 X 7				
SCALE	1=1	ALLOY	6063-T5	DIE PLATE					
EST. AREA	0.782	IN <sup>2</sup>	504.40	mm <sup>2</sup>					
EST. WT.	0.915	LBS/FT	1.361	KG/M	BOLSTER	1015	DATE		REVISION
EST. PER.	24.992	IN	634.80	mm	NO. HOLES	1			
FACTOR	27	466		BILLET	7				

**NOTE(S)**

- Rampe de verre 42"



1623, rue Atmec, unité 4, Gatineau (Québec) J8R 0H8  
Gatineau: 819-663-5002/Ottawa: 613-909-8951/Fax: 819-663-4628

**Client:**

**Vendeur:** Claude Poirier

**Date:** 15-07-2020

**Adresse:**

**Approuvé par:**

**Numero de commande:**

**Dessiné par:** Carolyn Tremblay

**Page(s)** 1 de 1