

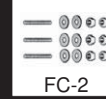


RD-100-A

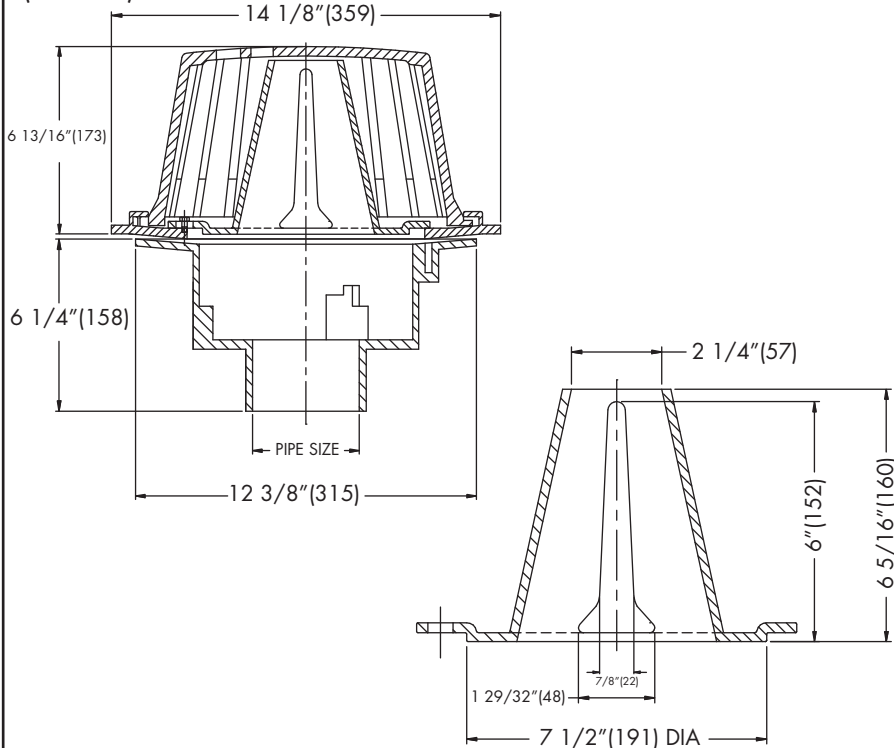
Large Capacity Roof Drain

Tag: \_\_\_\_\_

Components:



SPECIFICATION: Watts Drainage Products RD-100 epoxy coated cast iron roof drain with deep sump, wide serrated flashing flange, flashing clamp device with integral gravel stop, accutrol weir and self-locking polyethylene (standard) dome.



Free Area Sq. In.
137

Deck opening 10" (254) with sump receiver 13-1/4" (337)

\*\* Side Outlet (-SO) option only available in 2"(51), 3"(76), 4"(102) pipe sizes. Underdeck Clamp (-BED and -D options) are not available when -SO is selected.

Optional Body Material (NH Only)	
Suffix	Description
-60	PVC Body w/Socket Outlet <input type="checkbox"/>
-61	ABS Body w/Socket Outlet <input type="checkbox"/>

Order Code: RD-10  -A  -  -

Ex. RD-102P-K

Pipe Sizing (Select One)	
Suffix	Description
2	2"(51) Pipe Size <input type="checkbox"/>
3	3"(76) Pipe Size <input type="checkbox"/>
4	4"(102) Pipe Size <input type="checkbox"/>
5	5"(127) Pipe Size <input type="checkbox"/>
6	6"(152) Pipe Size <input type="checkbox"/>
8	8"(203) Pipe Size <input type="checkbox"/>

Outlet Type (Select One)	
Suffix	Description
NH	No Hub (MJ) <input type="checkbox"/>
P	Push On <input type="checkbox"/>
T	Threaded Outlet <input type="checkbox"/>
X	Inside Caulk <input type="checkbox"/>

Options (Select One or More)	
Suffix	Description
-B	Sump Receiver Flange <input type="checkbox"/>
-BED	Sump Receiver, Adj Ext., Deck Clamp <input type="checkbox"/>
-C	Secondary Membrane Clamp <input type="checkbox"/>
-D	Underdeck Clamp <input type="checkbox"/>
-E	Adjustable Extension <input type="checkbox"/>
-GSS	Stainless Steel Ballast Guard <input type="checkbox"/>
-H	Adj. to 6" IRMA Ballast Guard <input type="checkbox"/>
-K	Ductile Iron Dome <input type="checkbox"/>
-K80	Aluminum Dome <input type="checkbox"/>
-L	Vandal Proof Dome <input type="checkbox"/>
-R	2" High External Water Dam <input type="checkbox"/>
-SO	Side Outlet** <input type="checkbox"/>
-V	Fixed Extension (1-1/2", 2", 3", 4") <input type="checkbox"/>
-W	Adj. Water Level Regulator <input type="checkbox"/>
-W-1	Waterproofing Flange <input type="checkbox"/>
-Z	Extended Integral Wide Flange <input type="checkbox"/>
-5	Sediment Bucket <input type="checkbox"/>
-6	Vandal Proof Top <input type="checkbox"/>
-12	Galvanized Dome <input type="checkbox"/>
-13	All Galvanized <input type="checkbox"/>
-83	Mesh Covered Dome <input type="checkbox"/>
-113M	Special Epoxy from 3M Range <input type="checkbox"/>

Job Name \_\_\_\_\_

Contractor \_\_\_\_\_

Job Location \_\_\_\_\_

Contractor's P.O. No. \_\_\_\_\_

Engineer \_\_\_\_\_

Representative \_\_\_\_\_

Watts product specifications in U.S. customary units and metric are approximate and are provided for reference only. For precise measurements, please contact Watts Technical Service. Watts reserves the right to change or modify product design, construction, specifications, or materials without prior notice and without incurring any obligation to make such changes and modifications on Watts products previously or subsequently sold.

USA: Tel: (800) 338-2581 • Fax: (828) 248-3929 • Watts.com  
Canada: Tel: (905) 332-4090 • Fax: (905) 332-7068 • Watts.ca  
Latin America: Tel: (52) 81-1001-8600 • Fax: (52) 81-8000-7091 • Watts.com



A Watts Water Technologies Company

New Roof Drain: Watts model num. RD100A with Accutrol weir - Controlled Flow of 30 USGPM maximum, 4"φ outlet, equipped with adjustable flow control up to 6" of head, epoxy-coated cast-iron construction with weirs, under deck clamp, gravel guard and sump.