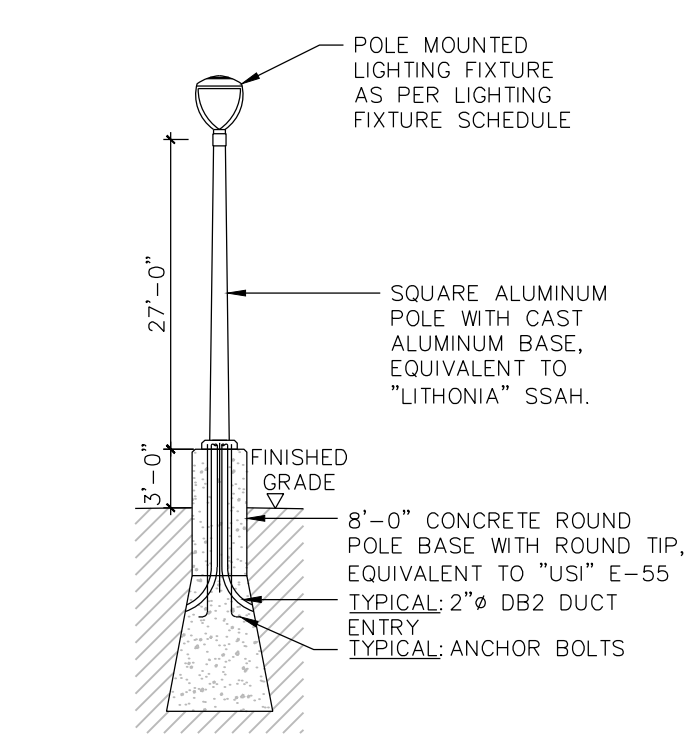
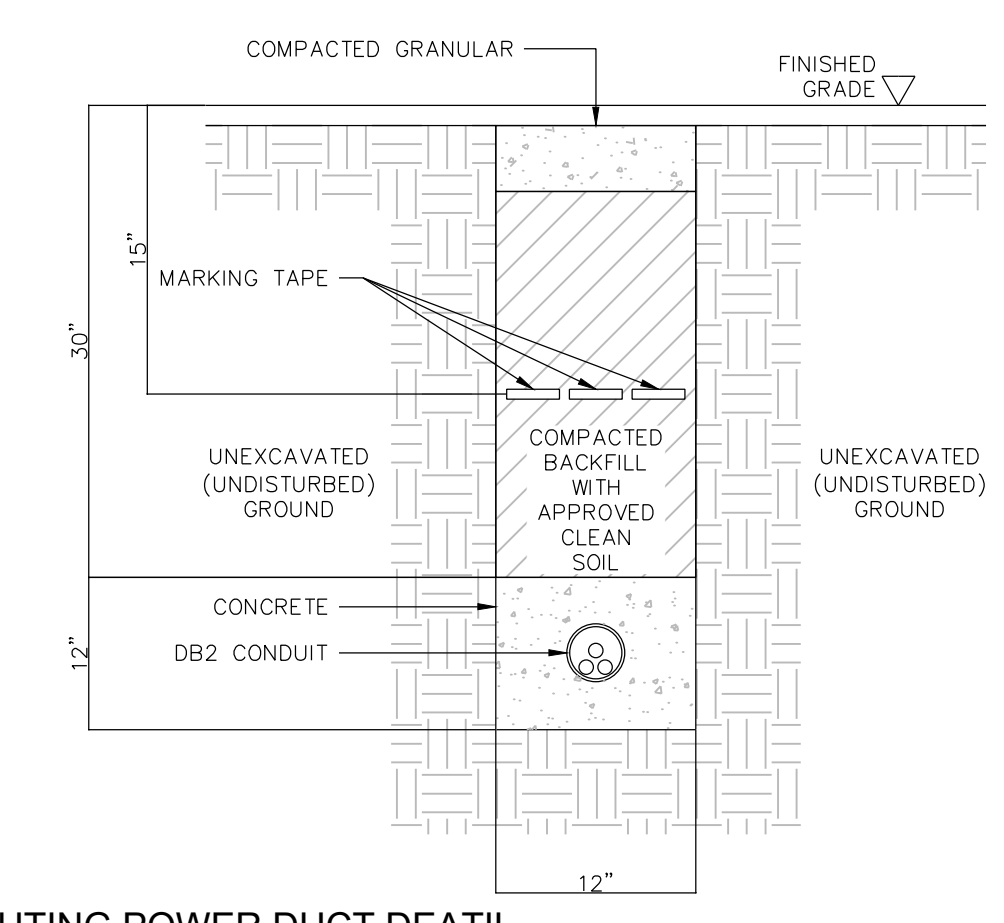


| LIGHT FIXTURE SCHEDULE |  |              |             |        |        |         |       |          |                     |
|------------------------|--|--------------|-------------|--------|--------|---------|-------|----------|---------------------|
| ID                     | DESCRIPTION  | MANUFACTURER | PART NUMBER | LUMENS | COLOUR | VOLTAGE | WATTS | MOUNTING | NOTES               |
| A1                     | LUMENAREA PURE Y DARK SKY FRIENDLY FIXTURE IS DURABLE, HIGH-PERFORMANCE LED LUMINAIRE CONSISTING OF A DIE CAST LOW COPPER 360 ALUMINUM ALLOY CAST HOUSING WITH STAINLESS STEEL HARDWARE, HIGH POWER LED IP67 SEALED WITH A MOULDED CLEAR UV STABILISED ACRYLIC FLAT LENS, 80+ CRI FOR HIGHEST EFFICIENCY AND PERFORMANCE, C/W A BRONZE SANDTEX "BRZTX" FINISH THAT IS TEXTURED PROVIDES SUPER DURABLE EXTREMELY RESISTANT EXTERIOR POLYESTER POWDER COATING WITH PRE FINISH AVAILABLE TO MEET ASTM G7, B117, D1654 AND D2247 REQUIREMENTS (SALT SPRAY, CORROSION AND HUMIDITY RESISTANCE), 0-10V DIMMABLE HIGH POWER FACTOR DRIVER 120/208VOLTS PROGRAMMABLE DRIVER WITH ADJUSTABLE 10% INCREMENT STEP-DIMMING SWITCH, PROVIDING 60% ENERGY SAVINGS. | LUMENPULSE   | PUR100Y     | 6000   | 3000K  | 120V    | 55W   | POLE     | TYPE 3 DISTRIBUTION |
| A2                     | LUMENAREA PURE Y   | LUMENPULSE   | PUR100Y     | 6000   | 3000K  | 120V    | 55W   | POLE     | TYPE 5 DISTRIBUTION |



**B**  
E200  
POLE BASE DETAIL  
SCALE: N.T.S.



**C**  
E200  
LIGHTING POWER DUCT DETAIL  
SCALE: N.T.S.

**USE AND INTERPRETATION OF DRAWINGS**

GENERAL CONDITIONS OF THE CONTRACT FOR CONSTRUCTION ARE PART OF THE CONTRACT DOCUMENTS AND DESIGNEE USE AND INTENT OF THE DRAWING. THE CONTRACT DOCUMENTS INCLUDE NOT ONLY THE DRAWINGS, BUT ALSO THE OWNER-CONTRACTOR AGREEMENTS, CONDITIONS OF THE CONTRACT, THE SPECIFICATIONS, ADDENDA, AND MODIFICATIONS ISSUED AFTER EXECUTION OF THE CONTRACT. THESE CONTRACT DOCUMENTS ARE COMPLEMENTARY, AND WHAT IS REQUIRED BY ANY ONE SHALL BE BINDING AS IF REQUIRED BY ALL. WORK NOT COMPLETELY DELINEATED HEREON SHALL BE CONSTRUCTED OF THE SAME MATERIALS AND DETAILED SIMILARLY AS WORK SHOWN MORE COMPLETELY ELSEWHERE IN THE CONTRACT DOCUMENTS.

BY USE OF THE DRAWINGS FOR CONSTRUCTION OF THE PROJECT, THE OWNER CONFIRMS THAT HE HAS REVIEWED AND APPROVED THE DRAWINGS. THE CONTRACTOR CONFIRMS THAT HE HAS VISITED THE SITE, FAMILIARIZED HIMSELF WITH THE LOCAL CONDITIONS, VERIFIED FIELD DIMENSIONS AND CORRELATED HIS OBSERVATIONS WITH THE REQUIREMENTS OF THE CONTRACT DOCUMENTS.

AS INSTRUMENTS OF SERVICE, ALL DRAWINGS, SPECIFICATIONS, ADDENDAS AND OTHER ELECTRONIC MEDIA AND COPIES THEREOF FURNISHED BY THE ENGINEER ARE HIS PROPERTY. THEY ARE TO BE USED ONLY FOR THE PROJECT AND ARE NOT TO BE USED ON ANY OTHER PROJECT, INCLUDING REPEATS OF THE PROJECT CHANGES TO THE DRAWINGS MAY ONLY BE MADE BY THE ENGINEER.

UNLESS THE REVISION TITLE IS "ISSUED FOR CONSTRUCTION", THESE DRAWINGS SHALL BE CONSIDERED PRELIMINARY AND SHALL NOT BE USED AS A CONSTRUCTION DOCUMENT.

THESE DRAWINGS ILLUSTRATE THE WORK TO BE DONE. THE ENGINEER IS NOT RESPONSIBLE FOR THE MEANS, METHODS, TECHNIQUES, SCIENCES, AND PROCEDURES USED TO DO THE WORK, OR THE SAFETY ASPECTS OF CONSTRUCTION, AND NOTHING ON THESE DRAWINGS COMPRESSES OR IMPOSES CHANGES THIS CONDITION. CONTRACTOR SHALL DETERMINE ALL CONDITIONS AT THE SITE AND SHALL BE RESPONSIBLE FOR DETERMINING HOW THEY AFFECT THE WORK. SUBMITTAL OF A BID TO PERFORM THIS WORK IS ACKNOWLEDGMENT OF THE RESPONSIBILITIES AND THAT THEY HAVE BEEN FULLY CONSIDERED IN PLANNING OF THE WORK, AND THE BID PRICE. NO CLAIMS FOR EXTRA CHARGES DUE TO THESE CONDITIONS WILL BE FORTHCOMING.

UNAUTHORIZED CHANGES:

IN THE EVENT THE CLIENT, THE CLIENT'S CONTRACTORS OR SUBCONTRACTORS, OR ANYONE FOR WHOM THE CLIENT IS LEGALLY LIABLE MAKES OR PERMITS TO BE MADE ANY CHANGES TO ANY REPORTS, PLANS, SPECIFICATIONS OR OTHER CONSTRUCTION DOCUMENTS PREPARED BY LRJ ASSOCIATES LTD. (LRJ) WITHOUT OBTAINING LRJ'S PRIOR WRITTEN CONSENT, THE CLIENT SHALL ASSUME FULL RESPONSIBILITY FOR THE RESULTS OF SUCH CHANGES. THEREFORE THE CLIENT AGREES TO WAIVE ANY CLAIM AGAINST LRJ AND TO RELEASE LRJ FROM ANY LIABILITY ARISING DIRECTLY OR INDIRECTLY FROM SUCH UNAUTHORIZED CHANGES.

IN ADDITION, THE CLIENT AGREES, TO THE FULLEST EXTENT PERMITTED BY LAW, TO INDEMNIFY AND HOLD HARMLESS LRJ FROM ANY DAMAGES, LIABILITIES OR COST, INCLUDING REASONABLE ATTORNEY'S FEES AND COST OF DEFENSE, ARISING FROM SUCH CHANGES.

IN ADDITION, THE CLIENT AGREES TO INCLUDE IN ANY CONTRACTS FOR CONSTRUCTION APPROPRIATE LANGUAGE THAT PROHIBITS THE CONTRACTOR OR ANY SUBCONTRACTORS OF ANY TIER FROM MAKING ANY CHANGES OR MODIFICATIONS TO LRJ'S CONSTRUCTION DOCUMENTS WITHOUT THE PRIOR WRITTEN APPROVAL OF LRJ AND THAT FURTHER REQUIRES THE CONTRACTOR TO INDEMNIFY BOTH LRJ AND THE CLIENT FROM ANY LIABILITY OR COST ARISING FROM SUCH CHANGES MADE WITHOUT SUCH PROPER AUTHORIZATION.

**GENERAL NOTES:**

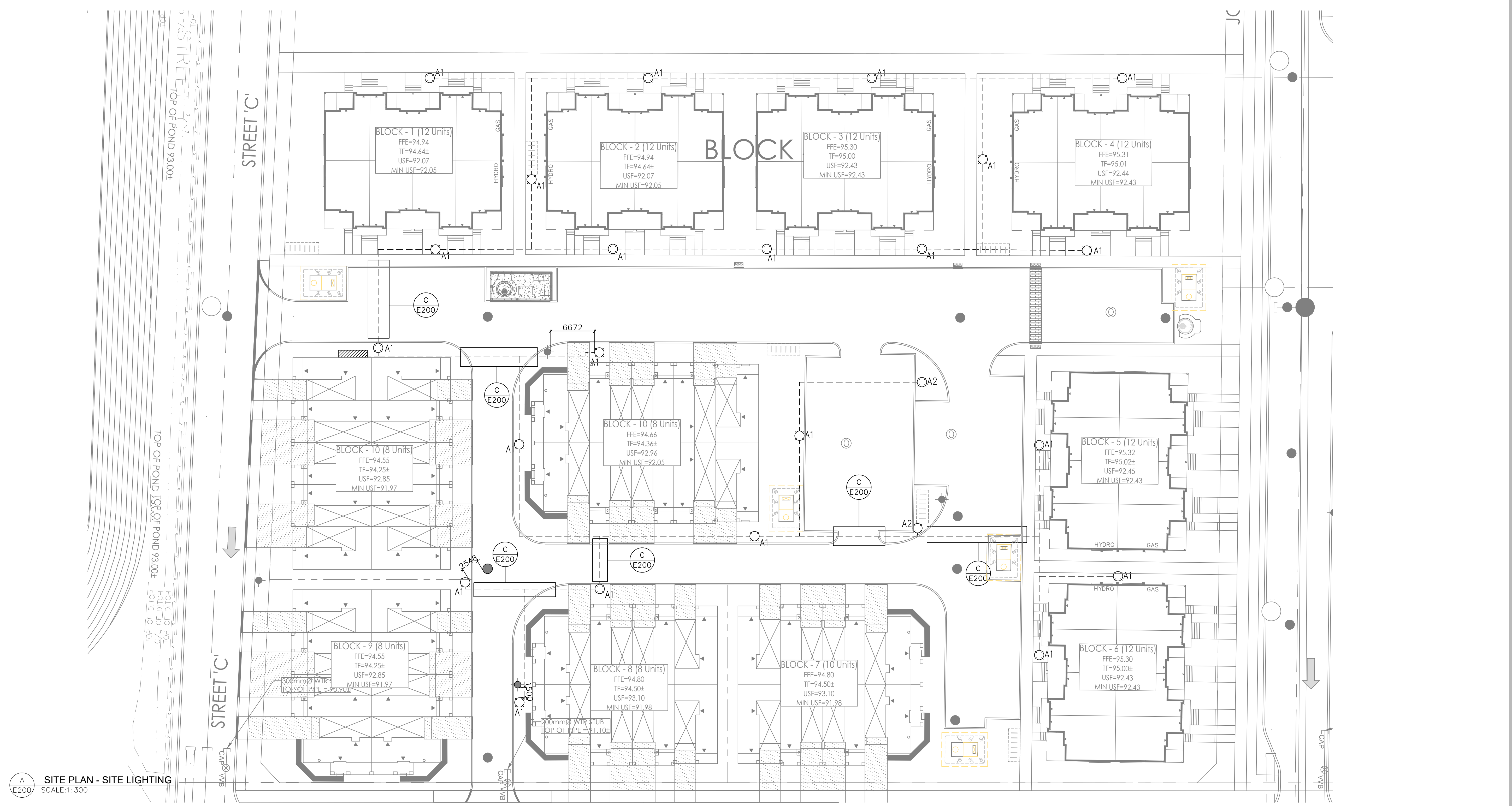
EXISTING SERVICES AND UTILITIES SHOWN ON THESE DRAWINGS ARE TAKEN FROM THE BEST AVAILABLE RECORDS, BUT MAY NOT BE COMPLETE OR TO DATE. CONTRACTOR SHALL VERIFY IN FIELD FOR LOCATION AND ELEVATION OF PIPES AND CHECK WITH THE UTILITY COMPANIES BEFORE DIGGING OR PERFORMING WORK.

CONTRACTOR IS ADVISED TO COLLECT INFORMATION ON SOIL CONDITIONS BEFORE START OF CONSTRUCTION.

THE ENGINEER WAIVES ANY AND ALL RESPONSIBILITY AND LIABILITY FOR PROBLEMS WHICH ARISE FROM FAILURE TO FOLLOW THESE PLANS, SPECIFICATIONS AND THE DESIGN INTENT THEY CONVEY, OR FOR PROBLEMS WHICH ARISE FROM OTHERS' FAILURE TO OBTAIN AND/OR FOLLOW THE ENGINEER'S GUIDANCE WITH RESPECT TO ANY ERRORS, OMISSIONS, INCONSISTENCIES, AMBIGUITIES OR CONFLICTS WHICH ARE ALLEGED.

CONTRACTOR TO VERIFY ALL DIMENSIONS AND NOTIFY THE ENGINEER OF ANY DISCREPANCIES BEFORE WORK COMMENCES. DO NOT SCALE DRAWINGS.

**NOT FOR CONSTRUCTION TENDER OR PERMIT**



**A**  
E200  
SITE PLAN - SITE LIGHTING  
SCALE: 1:300

| No. | ISSUED FOR HYDRO REVIEW | E.B. | APR. 27, 2020 |
|-----|-------------------------|------|---------------|
|     | REVISIONS               | BY   | DATE          |

NOT AUTHENTIC UNLESS SIGNED AND DATED

**LRJ**  
ENGINEERING | INGENIERIE  
5430 Canotek Road | Ottawa, ON, K1J 9G2  
www.lrl.ca | (613) 842-3434

CLIENT  
**MATTAMY HOMES**

DESIGNED BY: E.B. DRAWN BY: E.B. APPROVED BY: M.T.

PROJECT  
**SOUTH NEPEAN TOWNCENTER PHASE-3 BARRHAVEAN, ONTARIO**

DRAWING TITLE  
**ELECTRICAL POWER DISTRIBUTION**

PROJECT NO.  
200158

DATE  
AUG. 01, 2015

**E200**