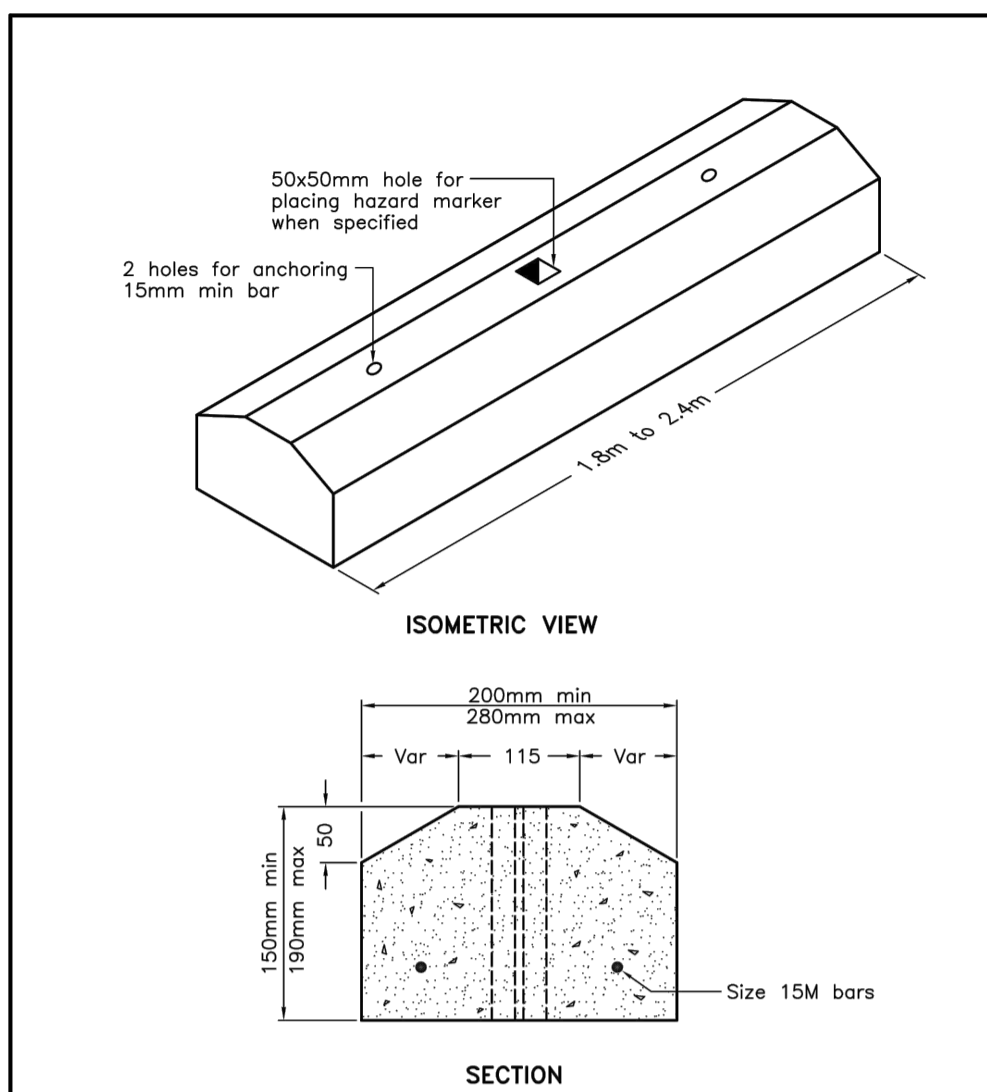


TYPICAL KEY CONNECTION TO EXISTING ASPHALT (N.T.S.)

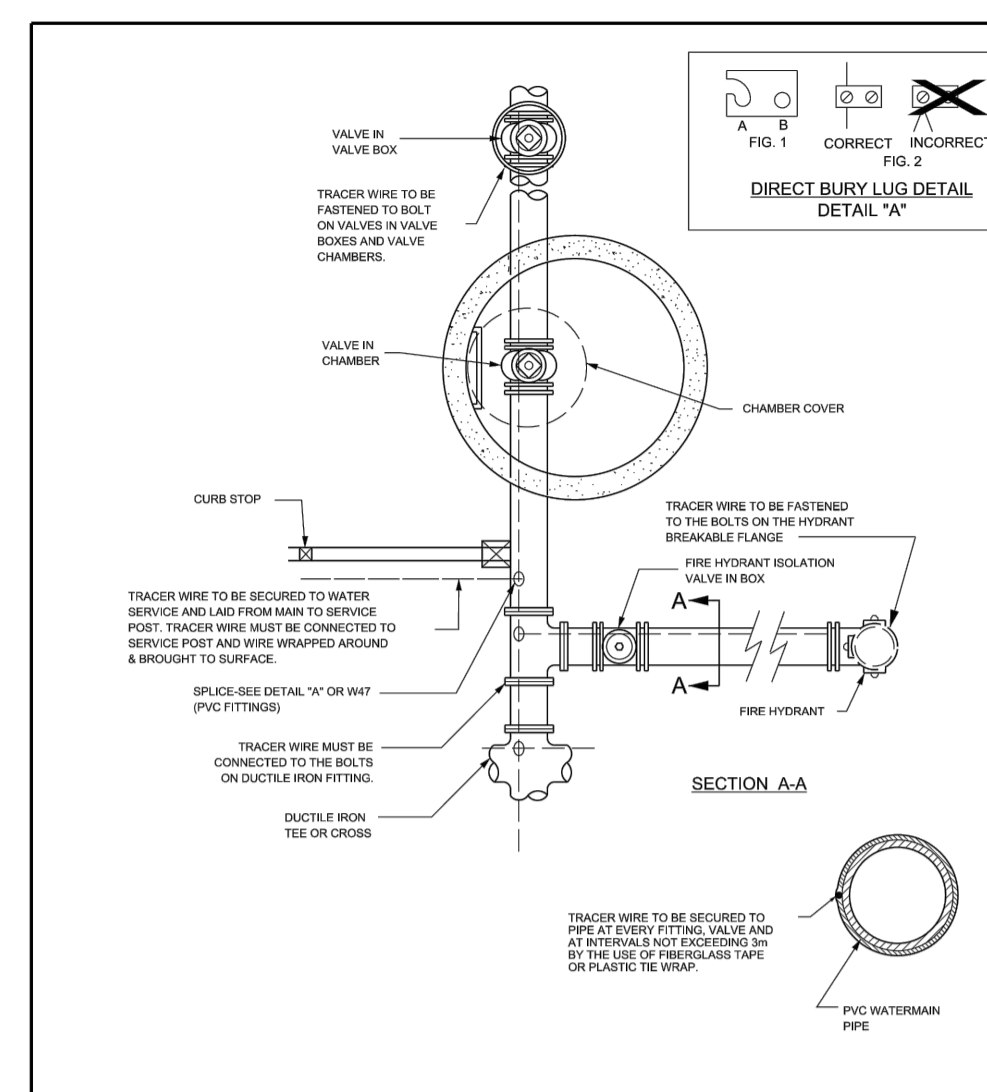


NOTES:
A Class of concrete shall be C2 according to CSA A23.1.
B All dimensions are in millimetres unless otherwise shown.

ONTARIO PROVINCIAL STANDARD DRAWING Nov 2006 Rev 1

PRECAST CONCRETE CURB

OPSD 603.020



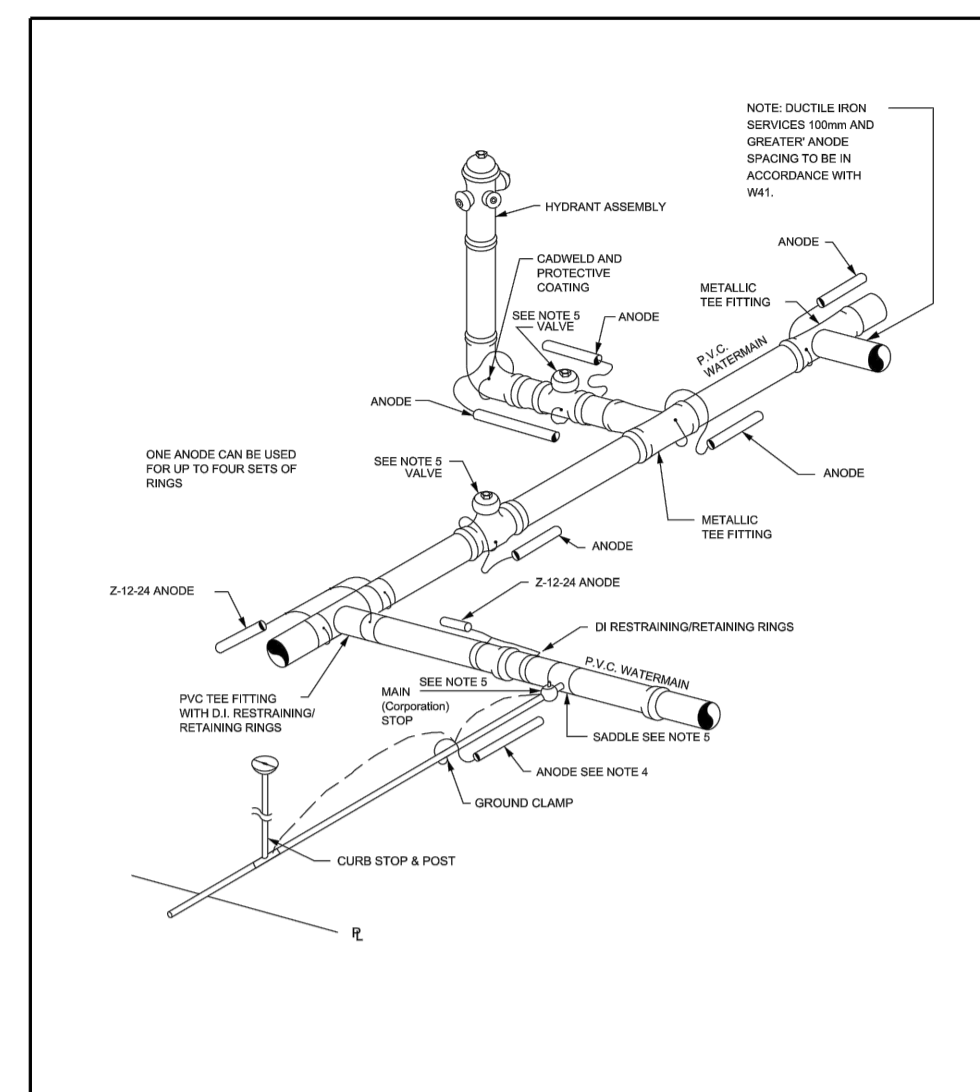
NOTES:
1. ALL CONNECTIONS MUST BE WATERPROOFED.
2. SPRINGS OF MAIN TRACER WIRE IS NOT ALLOWED UNLESS SPECIFIED OR APPROVED.
3. TRACER WIRE CONTINUITY OF CURRENT MUST BE TESTED AND VERIFIED.
4. FOR PIPES TO DUCTILE IRON CONNECTIONS, THE TRACER WIRE MUST BE ATTACHED TO THE ELECTRIC IRON PIPE BY GALVANIZED IRON RODS AND NUTS. THE TRACER WIRE MUST BE ATTACHED TO THE ELECTRIC IRON PIPE BY GALVANIZED IRON RODS AND NUTS. THE TRACER WIRE MUST BE ATTACHED TO THE ELECTRIC IRON PIPE BY GALVANIZED IRON RODS AND NUTS. THE TRACER WIRE MUST BE ATTACHED TO THE ELECTRIC IRON PIPE BY GALVANIZED IRON RODS AND NUTS.

N.T.S.

Ottawa

TRACER WIRE INSTALLATION

DATE: MAY 2001
REV: MARCH 2011
DWG. NO.: W36



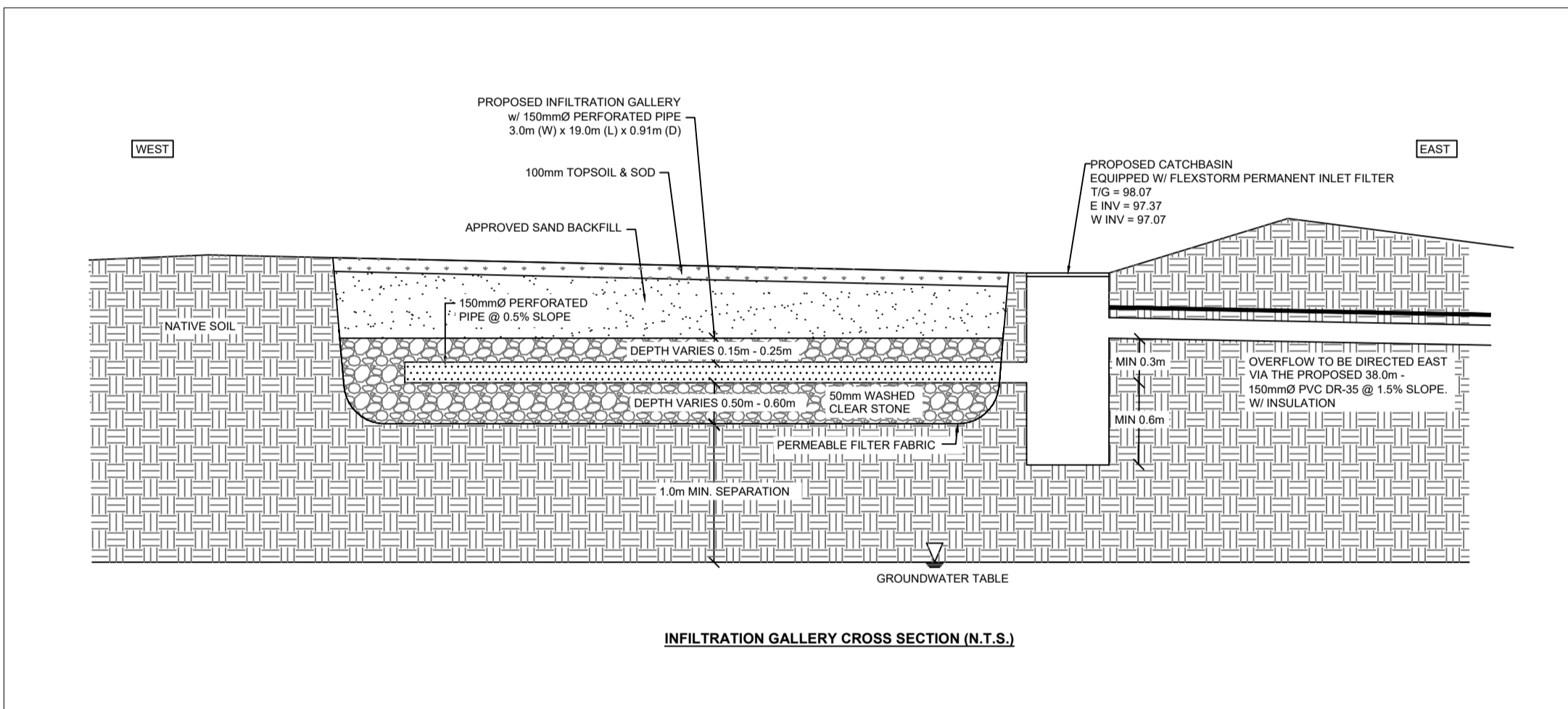
NOTES:
1. ANODE CONNECTIONS WIRE TO BE GALVANIZED ANODES (PVC) FITTINGS AND ANGLED.
2. PROTECTIVE COATING TO BE APPLIED TO ALL GALVANIZED ANODES.
3. ANODE TYPE IS SPECIFIED IN THE NOTES.
4. ANODE TYPE IS SPECIFIED IN THE NOTES.
5. ANODE TYPE IS SPECIFIED IN THE NOTES.
6. ANODE TYPE IS SPECIFIED IN THE NOTES.
7. ANODE TYPE IS SPECIFIED IN THE NOTES.
8. ANODE TYPE IS SPECIFIED IN THE NOTES.
9. ANODE TYPE IS SPECIFIED IN THE NOTES.
10. ANODE TYPE IS SPECIFIED IN THE NOTES.

N.T.S.

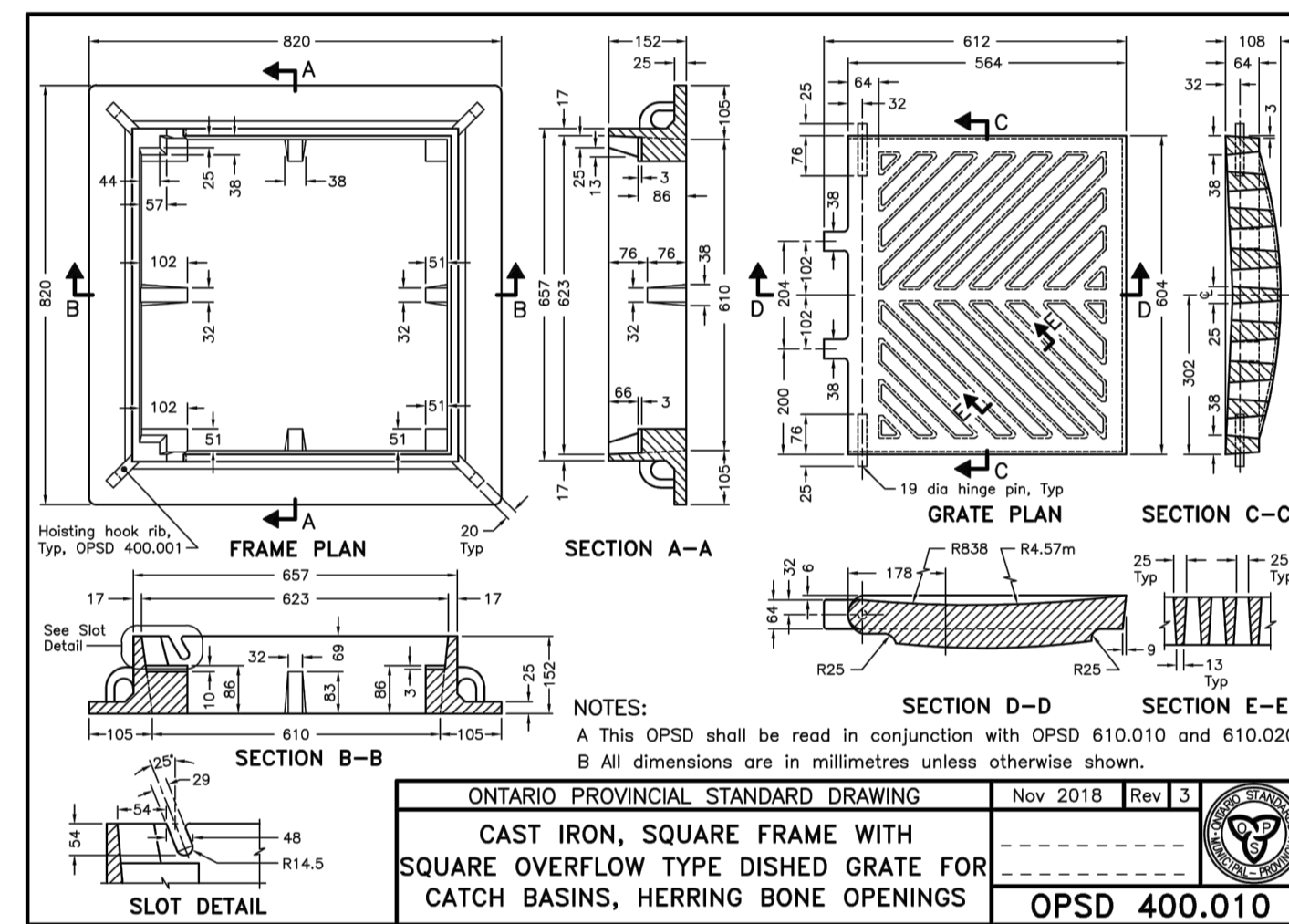
Ottawa

CATHODIC PROTECTION FOR PVC WATERMAIN SYSTEMS

DATE: MAY 2001
REV: MARCH 2011
DWG. NO.: W40



INFILTRATION GALLERY CROSS SECTION (N.T.S.)

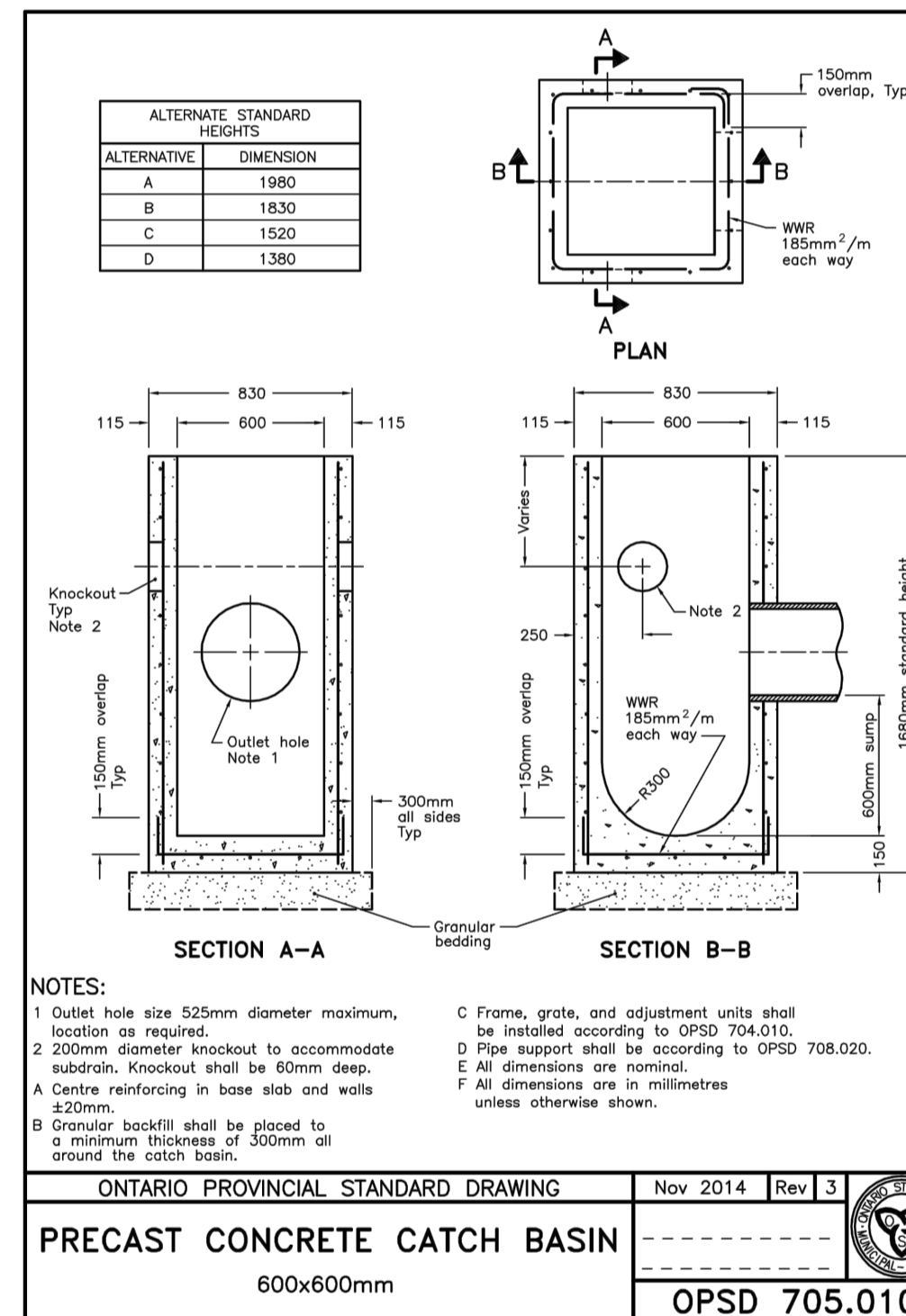


NOTES:
A This OPSD shall be read in conjunction with OPSD 610.010 and 610.020.
B All dimensions are in millimetres unless otherwise shown.

ONTARIO PROVINCIAL STANDARD DRAWING Nov 2018 Rev 3

CAST IRON, SQUARE FRAME WITH SQUARE OVERFLOW TYPE DISHED GRATE FOR CATCH BASINS, HERRING BONE OPENINGS

OPSD 400.010



NOTES:
1. Outlet hole size 525mm diameter maximum, location as required.
2. 200mm diameter knockout to accommodate substrate. Knockout shall be 60mm deep.
A Centre reinforcing in base slab and walls 2X20mm.
B Granular backfill shall be placed to a minimum thickness of 300mm all around the catch basin.
C Frame, grate, and adjustment units shall be installed according to OPSD 704.010.
D Pipe support shall be according to OPSD 708.020.
E All dimensions are nominal.
F All dimensions are in millimetres unless otherwise shown.

ONTARIO PROVINCIAL STANDARD DRAWING Nov 2014 Rev 3

PRECAST CONCRETE CATCH BASIN

600x600mm

OPSD 705.010

USE AND INTERPRETATION OF DRAWINGS

GENERAL CONDITIONS OF THE CONTRACT FOR CONSTRUCTION ARE PART OF THE CONTRACT DOCUMENTS AND DESCRIBE USE AND INTENT OF THE DRAWING. THE CONTRACT DOCUMENTS INCLUDE NOT ONLY THE DRAWINGS, BUT ALSO THE OWNER-CONTRACTOR AGREEMENTS, CONDITIONS OF THE CONTRACT, THE SPECIFICATIONS, ADDENDA, AND MODIFICATIONS ISSUED AFTER EXECUTION OF THE CONTRACT. THESE CONTRACT DOCUMENTS ARE COMPLEMENTARY, AND WHAT IS REQUIRED BY ANY ONE SHALL BE BINDING AS REQUIRED BY ALL. WORK NOT COMPLETELY DELINEATED HEREON SHALL BE CONSTRUCTED OF THE SAME MATERIALS AND DETAIL AS SHOWN UNLESS OTHERWISE SHOWN COMPLETELY ELSEWHERE IN THE CONTRACT DOCUMENTS.

BY USE OF THE DRAWINGS FOR CONSTRUCTION OF THE PROJECT, THE OWNER CONFIRMS THAT HE HAS REVIEWED AND APPROVED THE DRAWINGS. THE CONTRACTOR CONFIRMS THAT HE HAS VISITED THE SITE, FAMILIARIZED HIMSELF WITH THE LOCAL CONDITIONS, VERIFIED FIELD DIMENSIONS AND CORRELATED HIS OBSERVATIONS WITH THE REQUIREMENTS OF THE CONTRACT DOCUMENTS.

AS INSTRUMENTS OF SERVICE ALL DRAWINGS, SPECIFICATIONS, CAD FILES OR OTHER ELECTRONIC MEDIA AND COPIES THERE OF FURNISHED BY THE ENGINEER ARE HIS PROPERTY. THEY ARE TO BE USED ONLY FOR THIS PROJECT AND ARE NOT TO BE USED ON ANY OTHER PROJECT, INCLUDING REPEATS OF THE PROJECT. CHANGES TO THE DRAWINGS MAY ONLY BE MADE BY THE ENGINEER.

UNLESS THE REVISION TITLE IS "ISSUED FOR CONSTRUCTION", THESE DRAWINGS SHALL BE CONSIDERED PRELIMINARY AND SHALL NOT BE USED AS A CONSTRUCTION DOCUMENT.

THESE DRAWINGS ILLUSTRATE THE WORK TO BE DONE. THE ENGINEER IS NOT RESPONSIBLE FOR THE MEANS, METHODS, TECHNIQUES, SEQUENCES, AND PROCEDURES USED TO DO THE WORK, OR THE SAFETY ASPECTS OF CONSTRUCTION, AND NOTHING ON THESE DRAWINGS EXPRESSED OR IMPLIED CHANGES THIS CONDITION. CONTRACTOR SHALL DETERMINE ALL CONDITIONS AT THE SITE AND SHALL BE RESPONSIBLE FOR KNOWING HOW THEY AFFECT THE WORK. SUBMITTAL OF A BID TO PERFORM THIS WORK IS ACKNOWLEDGEMENT OF THE RESPONSIBILITIES, AND THAT THEY HAVE BEEN FULLY CONSIDERED IN PLANNING OF THE WORK, AND THE BID PRICE. NO CLAIMS FOR EXTRA CHARGES DUE TO THESE CONDITIONS WILL BE FORTHCOMING.

UNAUTHORIZED CHANGES

IN THE EVENT OF THE CLIENT, THE CLIENT'S CONTRACTORS OR SUBCONTRACTORS, OR ANYONE FOR WHOM THE CLIENT IS LEGALLY LIABLE MAKES OR PERMITS TO BE MADE ANY CHANGES TO ANY REPORTS, PLANS, SPECIFICATIONS OR OTHER CONSTRUCTION DOCUMENTS PREPARED BY LRL ASSOCIATES LTD. (LRL) WITHOUT OBTAINING LRL'S PRIOR WRITTEN CONSENT, THE CLIENT SHALL ASSUME FULL RESPONSIBILITY FOR THE RESULTS OF SUCH CHANGES. THEREFORE THE CLIENT AGREES TO WAIVE ANY CLAIM AGAINST LRL AND TO RELEASE LRL FROM ANY LIABILITY ARISING DIRECTLY OR INDIRECTLY FROM SUCH UNAUTHORIZED CHANGES.

IN ADDITION, THE CLIENT AGREES TO THE FULLEST EXTENT PERMITTED BY LAW, TO INDEMNIFY AND HOLD HARMLESS LRL FROM ANY DAMAGES, LIABILITIES OR COSTS, INCLUDING REASONABLE ATTORNEY'S FEES AND COST OF DEFENSE, ARISING FROM SUCH CHANGES.

IN ADDITION, THE CLIENT AGREES TO INCLUDE IN ANY CONTRACTS FOR CONSTRUCTION APPROPRIATE LANGUAGE THAT PROHIBITS THE CONTRACTOR OR ANY SUBCONTRACTORS OF ANY TIER FROM MAKING ANY CHANGES OR MODIFICATIONS TO LRL'S CONSTRUCTION DOCUMENTS WITHOUT THE PRIOR WRITTEN APPROVAL OF LRL AND THAT FURTHER REQUIRES THE CONTRACTOR TO INDEMNIFY BOTH LRL AND THE CLIENT FROM ANY LIABILITY OR COST ARISING FROM SUCH CHANGES MADE WITHOUT SUCH PROPER AUTHORIZATION.

GENERAL NOTES

EXISTING SERVICES AND UTILITIES SHOWN ON THESE DRAWINGS ARE TAKEN FROM THE BEST AVAILABLE RECORDS, BUT MAY NOT BE COMPLETE OR TO DATE. CONTRACTOR SHALL VERIFY IN FIELD FOR LOCATION AND ELEVATION OF PIPES AND CHECK WITH THE UTILITY COMPANIES BEFORE DIGGING OR PERFORMING WORK.

CONTRACTOR IS ADVISED TO COLLECT INFORMATION ON SOIL CONDITIONS BEFORE START OF CONSTRUCTION.

THE ENGINEER WAIVES ANY AND ALL RESPONSIBILITY AND LIABILITY FOR PROBLEMS WHICH ARISE FROM FAILURE TO FOLLOW THESE PLANS, SPECIFICATIONS AND THE DESIGN INTENT THEY CONVEY, OR FOR PROBLEMS WHICH ARISE FROM OTHERS' FAILURE TO OBTAIN AND/OR FOLLOW THE ENGINEER'S GUIDANCE WITH RESPECT TO ANY ERRORS, OMISSIONS, INCONSISTENCIES AMBIGUITIES OR CONFLICTS WHICH ARE ALLEGED.

CONTRACTOR TO VERIFY ALL DIMENSIONS AND NOTIFY THE ENGINEER OF ANY DISCREPANCIES BEFORE WORK COMMENCES. DO NOT SCALE DRAWINGS.

No.	REVISIONS	BY	DATE
05	RE-ISSUED FOR SITE PLAN APPLICATION	K.H.	31 OCT 2022
04	RE-ISSUED FOR SITE PLAN APPLICATION	K.H.	22 SEPT 2021
03	RE-ISSUED FOR SITE PLAN APPLICATION	K.H.	23 DEC 2020
02	ISSUED FOR CLIENT REVIEW	K.H.	11 DEC 2020
01	ISSUED FOR CLIENT APPROVAL	K.H.	11 MAR 2020

NOT AUTHENTIC UNLESS SIGNED AND DATED



ENGINEERING | INGENIERIE

5430 Canotek Road | Ottawa, ON, K1J 9G2

www.lrl.ca | (613) 842-3434

CLIENT THE HINDU HERITAGE CENTRE OF OTTAWA CARLETON

DESIGNED BY: P.P. DRAWN BY: K.H. APPROVED BY: M.B.

PROJECT PROPOSED ASSEMBLY HALL 4835 BANK STREET, OTTAWA

DRAWING TITLE CONSTRUCTION DETAIL PLAN

PROJECT NO. 170132

DATE JAN2020

C902

TYPICAL STORM AND SANITARY SEWER, AND WATERMAIN INSULATION DETAIL (N.T.S.)

NOTES:
-FOR STORM INSULATION USE AN X VALUE OF 2000 IN THE ABOVE "TI" EQUATION.
-FOR SANITARY INSULATION USE AN X VALUE OF 2500 IN THE ABOVE "TI" EQUATION.
-FOR WATERMAIN INSULATION USE AN X VALUE OF 2400 IN THE ABOVE "TI" EQUATION.
-INCREMENTS OF INSULATION THICKNESS SHALL BE ADJUSTABLE TO 25mm.
-STAGGER JOINTS OF MULTIPLE SHEETS.
-ALL DIMENSIONS ARE IN MILLIMETERS UNLESS SHOWN OTHERWISE.