

Drawing Remains the Property of/Copyright Reserved by Gino J. Aiello Landscape Architect. Do Not Use or Reproduce Without Approval of Gino J. Aiello. NOT To Be Used For Construction Unless indicated by Revision: "FOR LANDSCAPE CONSTRUCTION". Contractor is Responsible for Verification of Site Locations of all Utilities. Report any Discrepancies Between Site and Drawing Immediately to Gino J. Aiello. Do NOT Proceed Until Clarified.

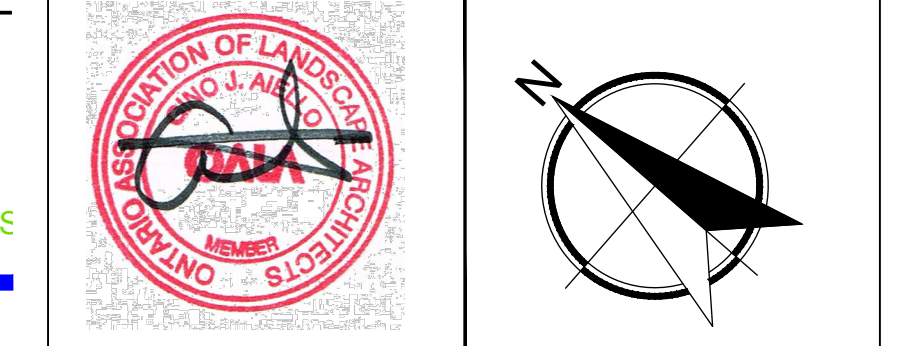
TURF AREAS TO BE SOD C/W 150MM DEPTH TOPSOIL ON APPROVED SUBGRADE | SOD TO BE #1 GRADE TURFGRASS NURSERY SOD per NSGA - Fine Fescue/Kentucky Bluegrass Sod | PLANTING MIX TO BE APPROVED BY LANDSCAPE ARCHITECT | PLANT MATERIAL TO MEET CNLA STANDARDS/BE APPROVED BY LANDSCAPE ARCHITECT PRIOR TO PLANTING | ALL MATERIALS & WORK TO BE MAINTAINED UNTIL FINAL ACCEPTANCE. (MOWING TURF, WEEDING BEDS, WATERING TURF & PLANTS) & INCLUDE 1 YEAR WARRANTY FROM DATE OF FINAL ACCEPTANCE | PROVIDE WATERING OF ALL PLANT MATERIAL AS REQUIRED FOR PROPER ESTABLISHMENT, UNTIL END OF WARRANTY PERIOD | REFER TO CIVIL ENGINEER'S DRAWING FOR ELEVATIONS / GRADING |

The Landscape Plan is to be read in conjunction with the grading, servicing, site and survey plan | Bare root material to be planted in season only | All plant material locations to be staked on site by the landscape contractor and checked by the landscape architect prior to planting | All trees to be preserved on or directly adjacent to the site will be protected | Plant material are to be installed a minimum of, 3.0m away from any part of any hydro transformer, 3.0m corridor between a fire hydrant and the curb, a 2.5m radius beside or behind a fire hydrant, 2.0m from any servicing/utility line or structure |

- REFER TO TCR BY IFS
- # Existing Tree to Remain
 - # Existing Tree to be Removed
 - Protection for Existing Trees
 - Proposed Deciduous Tree
 - Proposed Planting Bed
 - Proposed Peagravel On Filter Cloth

#	Revision	Date
3	SPC2	DECEMBER 23 2021
2	UDRP	APRIL 21 2020
1	SPC SUBMISSION 1	APRIL 1 2020

#	Revision	Date
3	SPC2	DECEMBER 23 2021
2	UDRP	APRIL 21 2020
1	SPC SUBMISSION 1	APRIL 1 2020



Property Owner
1343678 Ontario LTD
 2775 Moodie Drive, Nepean, Ontario, K2J 4S6

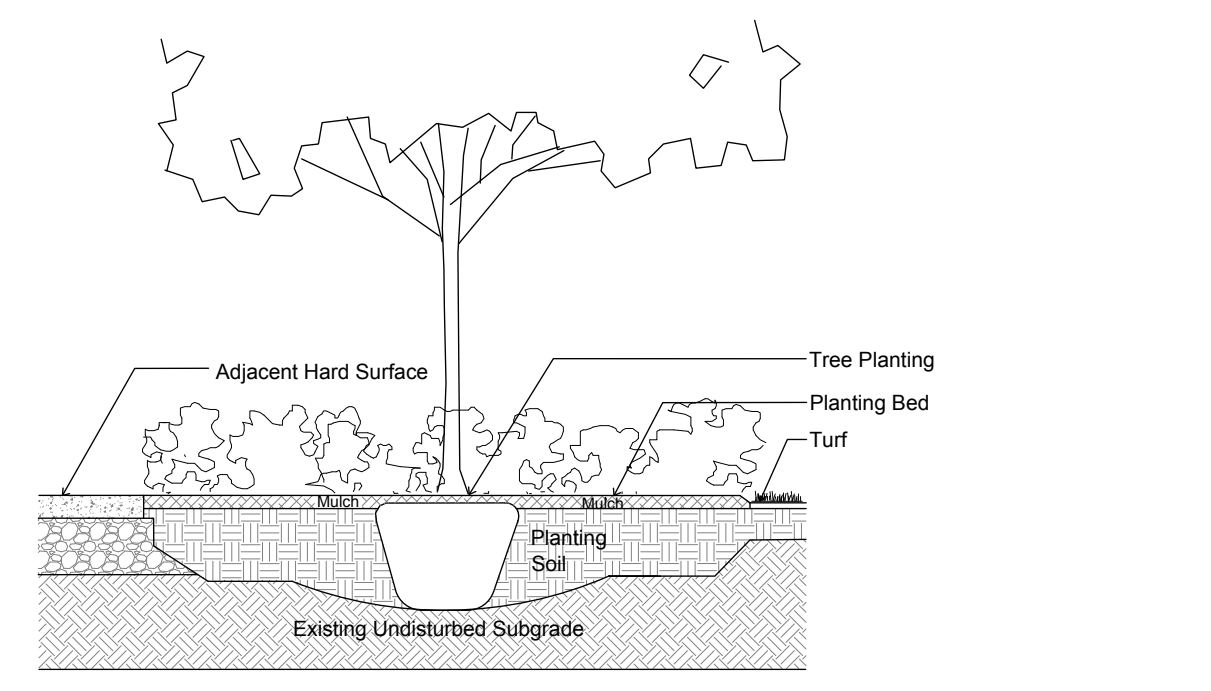
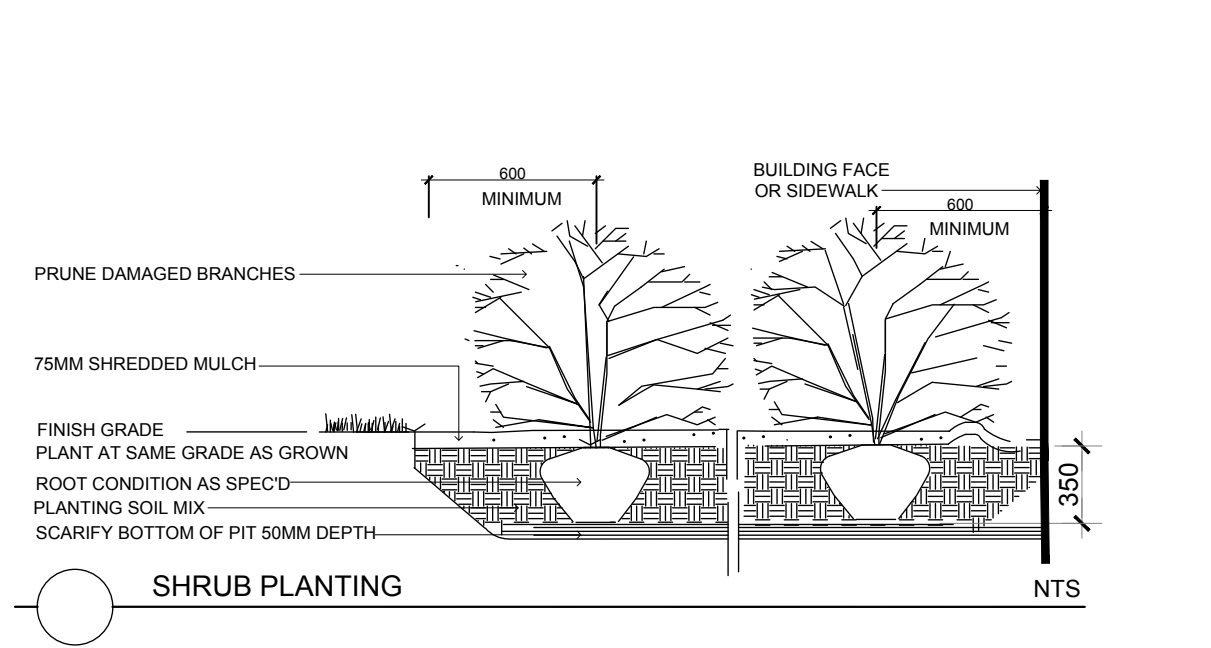
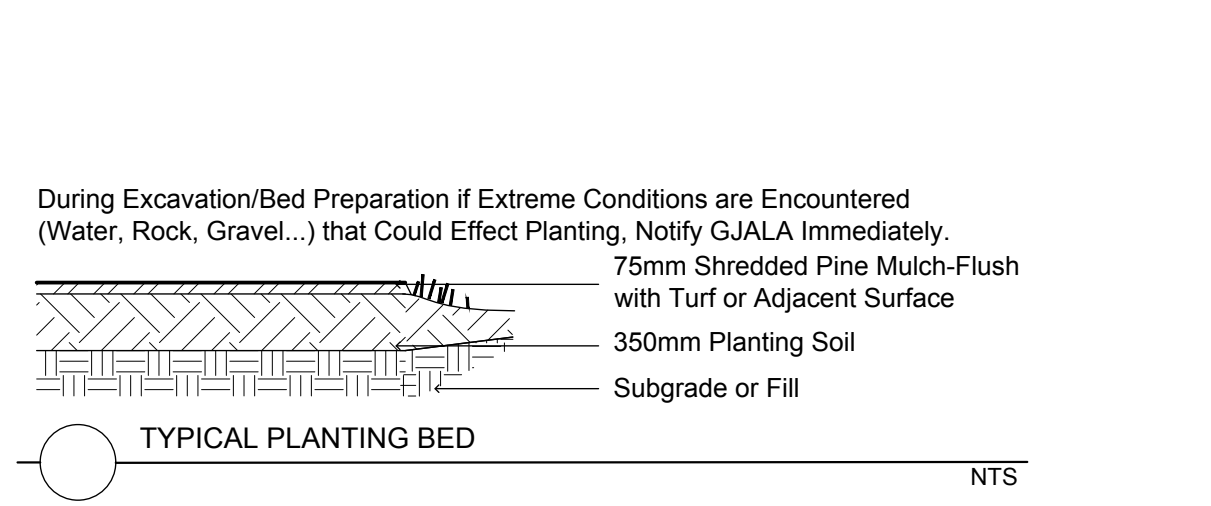
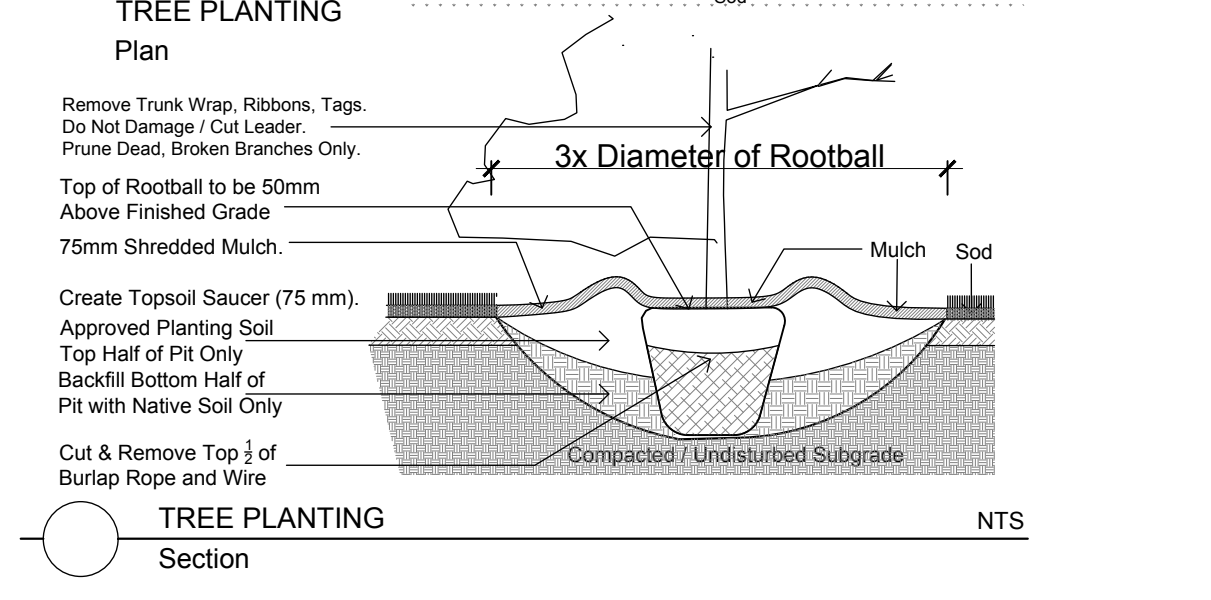
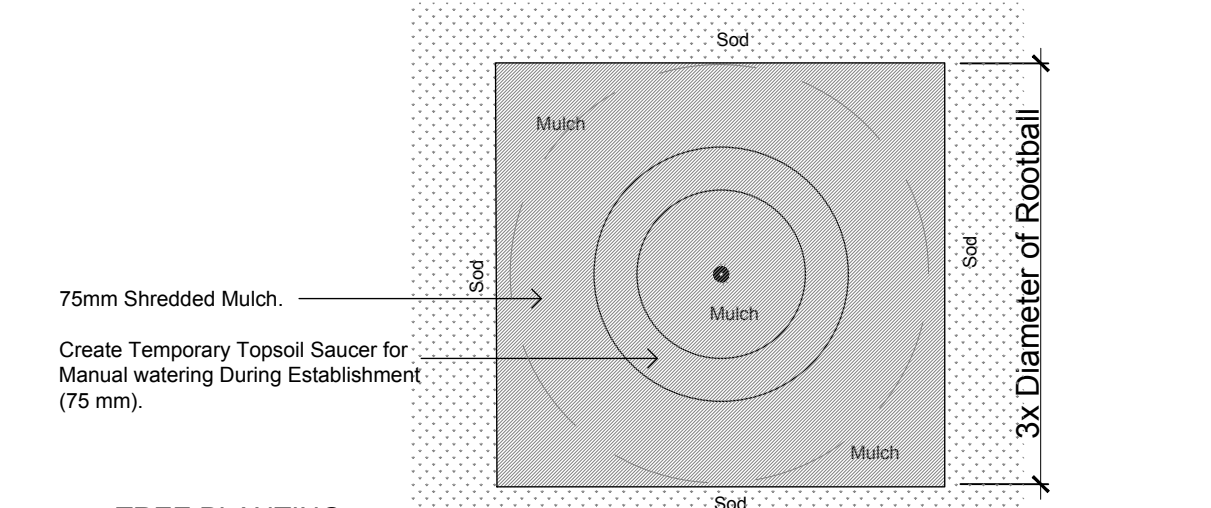
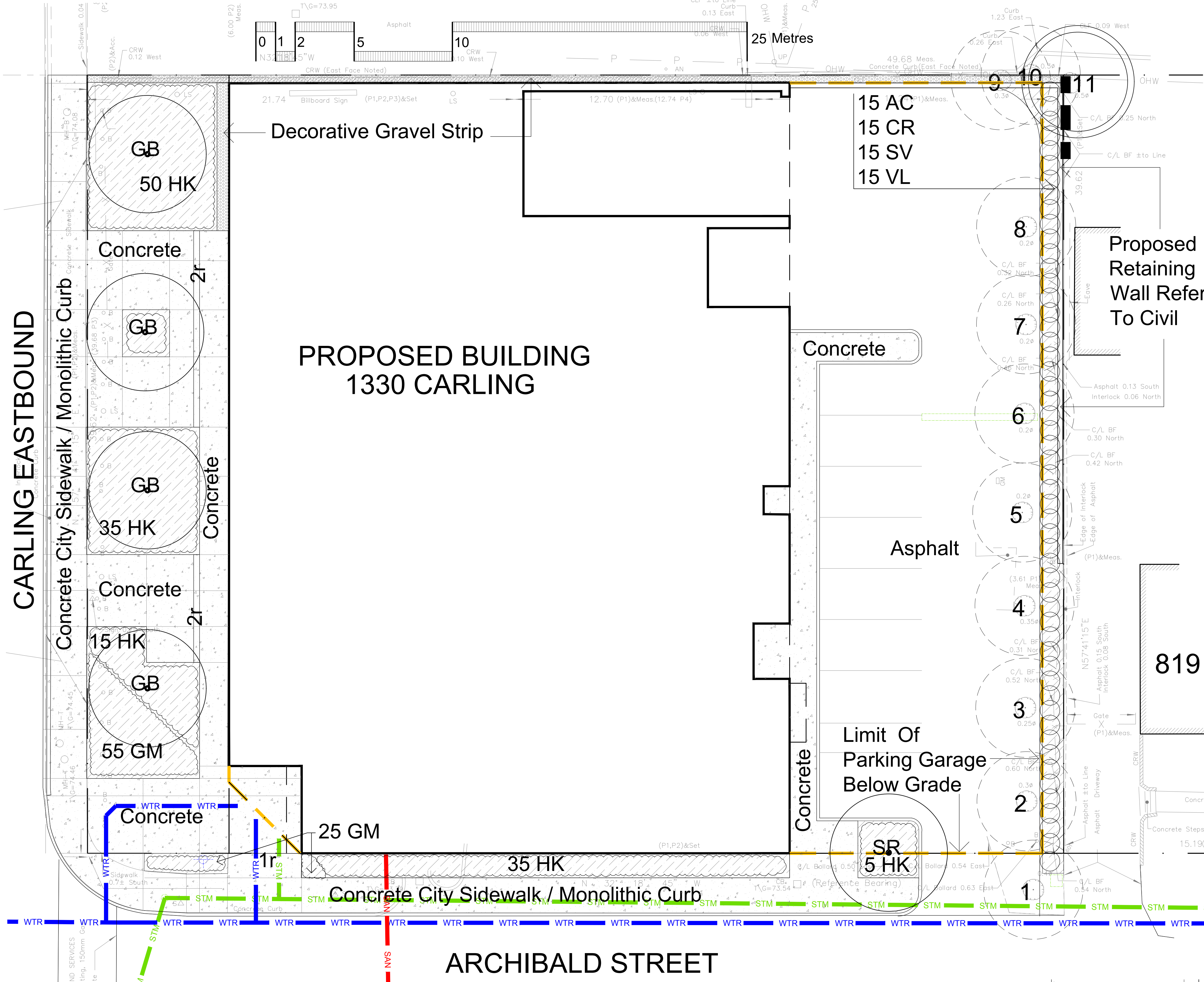
Gino J. Aiello | landscape architect GJALA.com
 GJA Inc. Gino@GJALA.com (613) 286 5130
 110 Dabury Road Unit # 9 | Ottawa Ontario | K2T 0C2

Project **Mixed Use Building**
 1330 Carling Avenue at Archibald

Drawing **Landscape Plan**

Date: MARCH 2020 Sheet Number
 Scale: 1:100
 City of Ottawa
 Dwg - 18182

D07-12-20-0063

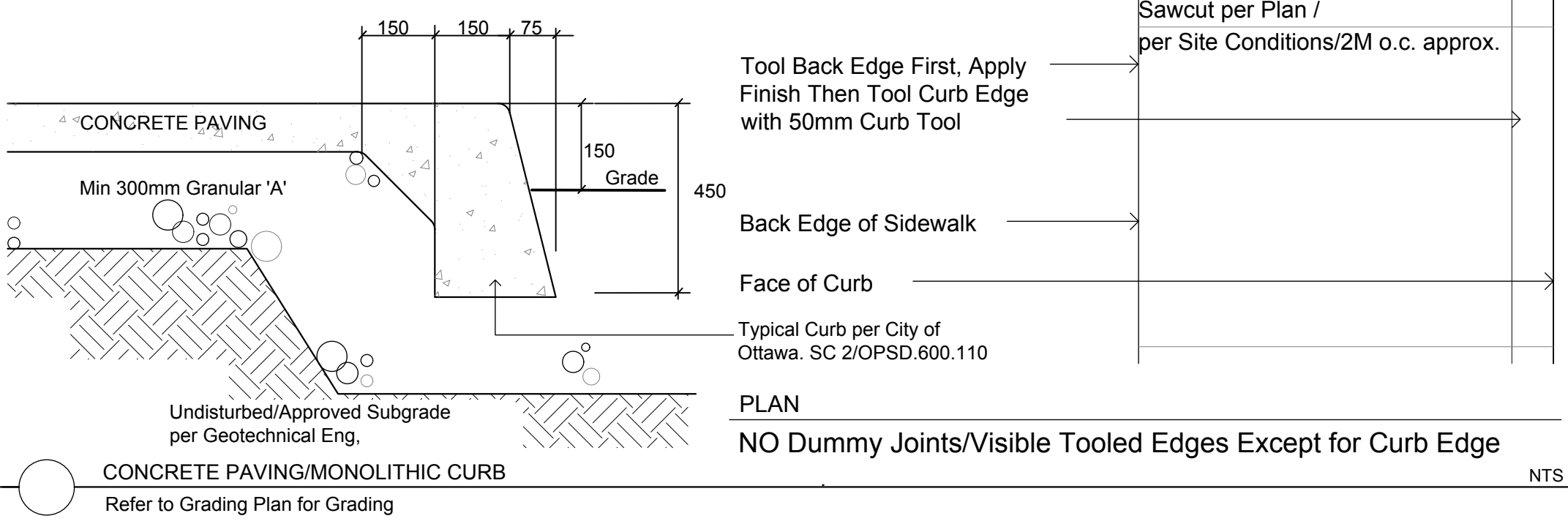
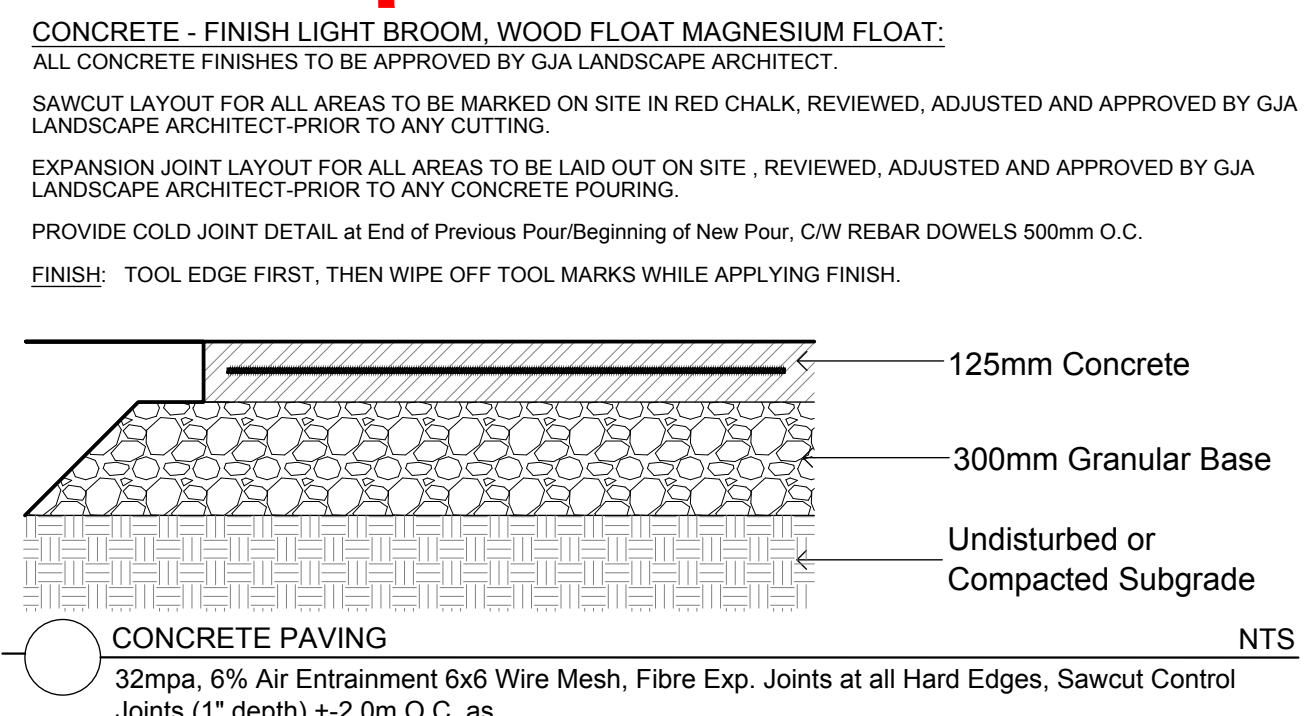
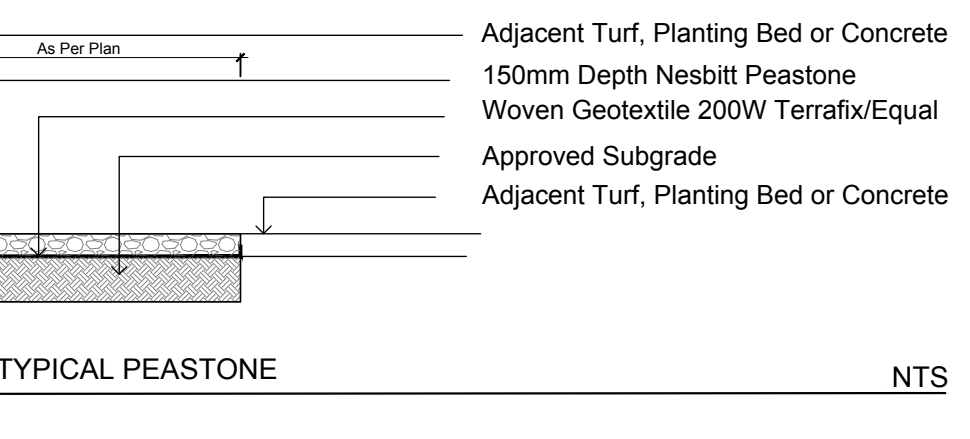
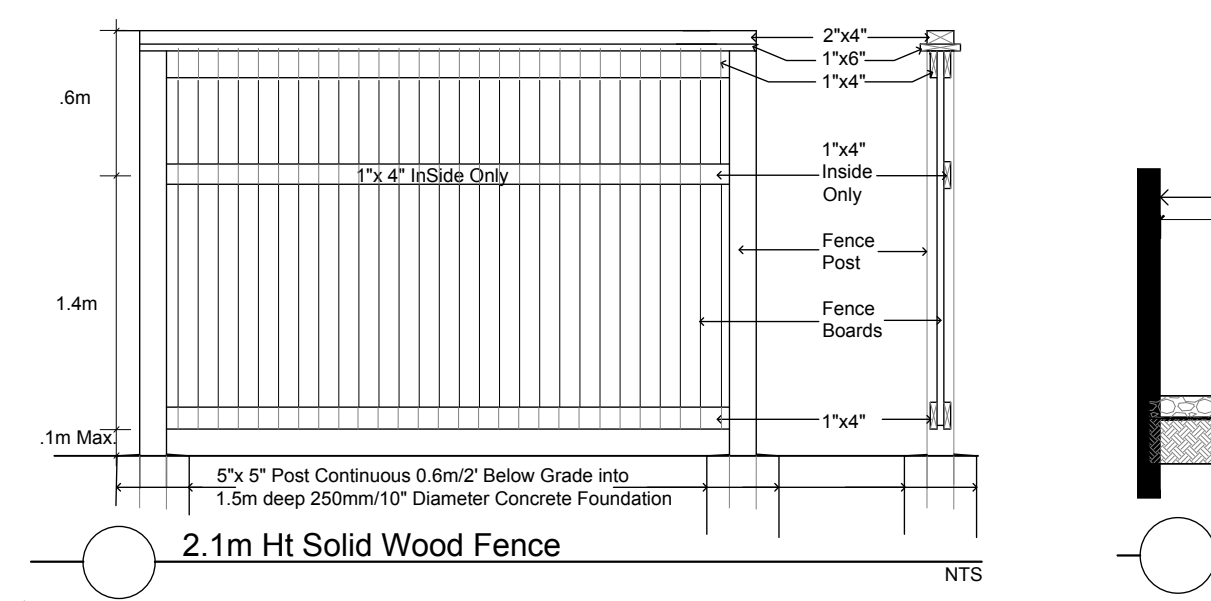


TREES 1330 CARLING AVENUE MIXED USE BUILDING

Code	Qty	Botanical Name	Common Name	Size	Condition
GB	5	Ginkgo biloba	Maidenhair Tree	70mm cal	B + B specimen

SHRUBS 1330 CARLING AVENUE MIXED USE BUILDING

Code	Qty	Botanical Name	Common Name	Size	Condition
AC	15	Amelanchier canadensis	Serviceberry	80cm HT.	Pot
CR	15	Cornus racemosa	Grey Dogwood	80cm HT.	Pot
HK	140	Hypericum kalmianum	St. John's Wort	40cm HT.	Pot
SV	15	Syringa vulgaris alba	White Common Lilac	60cm HT.	Pot
VL	15	Viburnum lentago	Nannyberry	80cm HT.	Pot
GM	80	Geranium macrorrhizum	Bigroot Geranium	9cm Pot	



NTS