

1 LANDSCAPE PLAN
SCALE: 1:200



CLIENT:
PHOENIX HOMES
18A Bentley Avenue
Ottawa, ON
Tel: (613) 706-6537

LOCATION PLAN:

CONSULTANTS
ARCHITECTS:
VINCENT P. COLIZZA ARCHITECT INCORPORATED
2511 Greenway Drive #100, Ottawa, ON
Tel: (613) 820-7881

CIVIL ENGINEERS:
IBI GROUP
333 Preston Street #400, Ottawa, ON
Tel: (613) 225-5111

LEGEND

- PROPOSED SODDED GRASS AREA
- PROPOSED DECIDUOUS TREE
- PROPOSED SHRUBS / ORNAMENTAL GRASSES
- PROPOSED CONCRETE SIDEWALK
- PROPOSED PRECAST CONCRETE PAVERS
- PROPOSED 2.0m HI. SCREEN

No.	Issue	Date	DR	CK
7				
6				
5	REVISED PER NEW CIVIL DRAWING	02/17/2021	ML	JL
4	REVISED PER CITY COMMENTS	01/22/2021	ML	JL
3	REVISED PER NEW SITE PLAN	06/02/2020	ML	JL
2	REVISED PER NEW CIVIL DRAWING	01/13/2020	ML	JL
1	ISSUED FOR DISCUSSION AND REVIEW	01/02/2020	ML	JL

JAMES B. LENNOX & ASSOCIATES INC.
LANDSCAPE ARCHITECTS
3332 CARLING AVE. OTTAWA, ONTARIO K2H 5A8
Tel: (613) 722-5168 Fax: (613) 343-3942

PROJECT
MEDICAL OFFICE AND RESTAURANT
115 LUSK STREET OTTAWA, ON

DRAWING
LANDSCAPE PLAN

STAMP

SCALE
AS SHOWN

START DATE
DECEMBER 2019

PROJECT NO.
20DCR2017

PROJECT NORTH

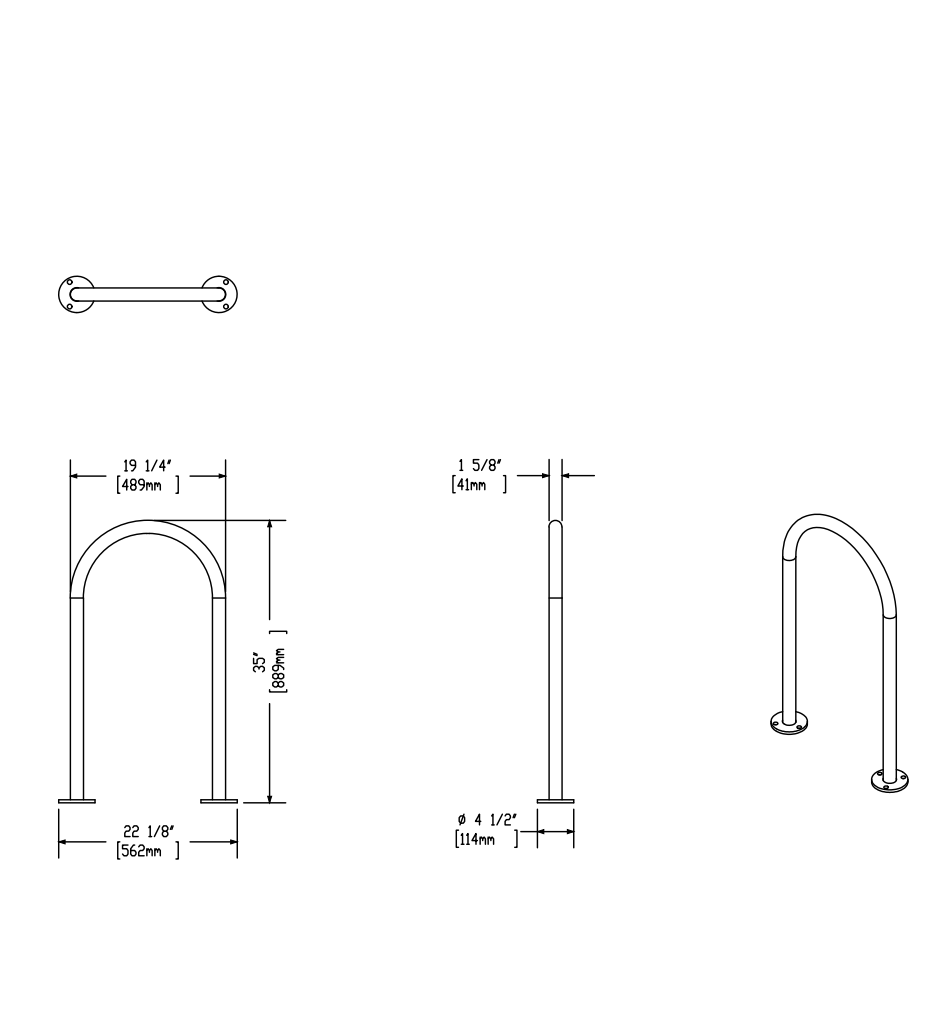
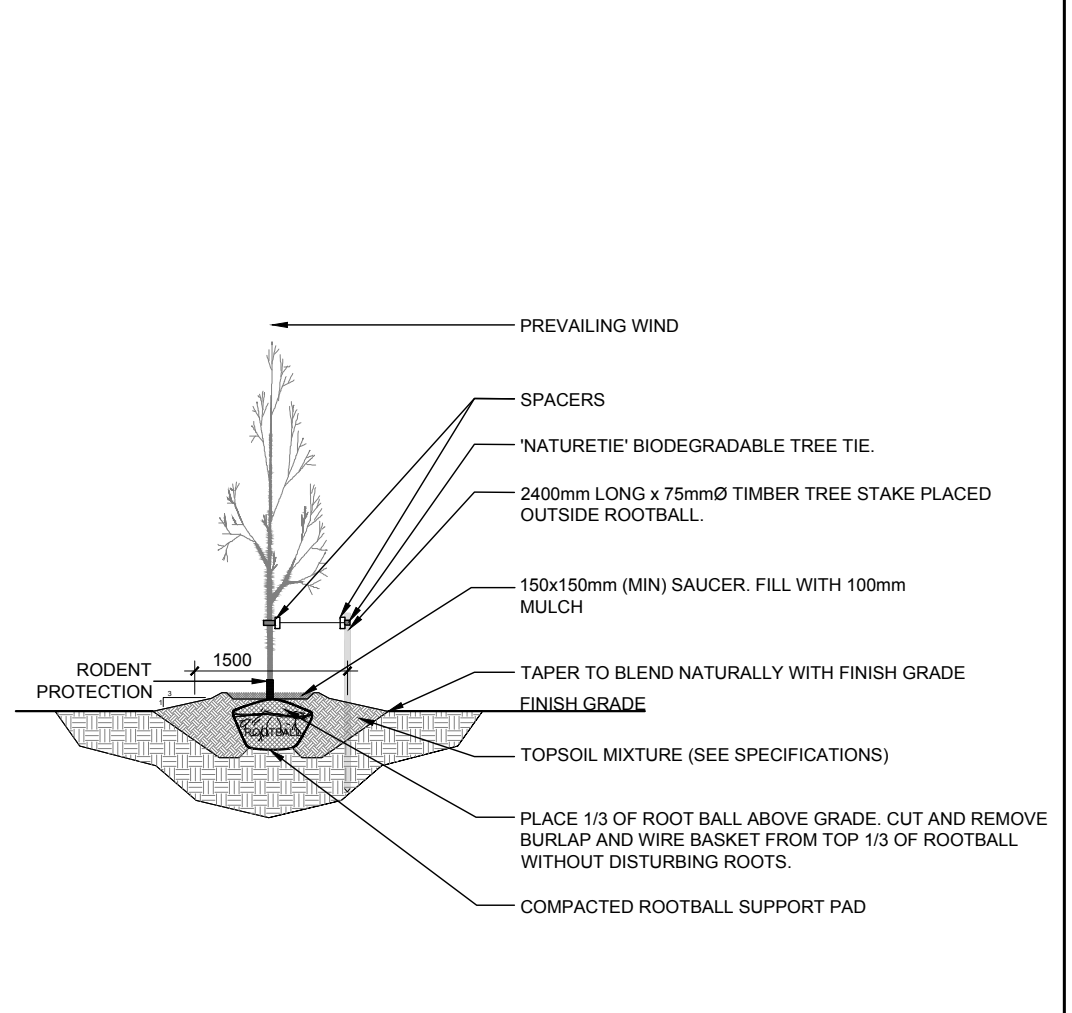
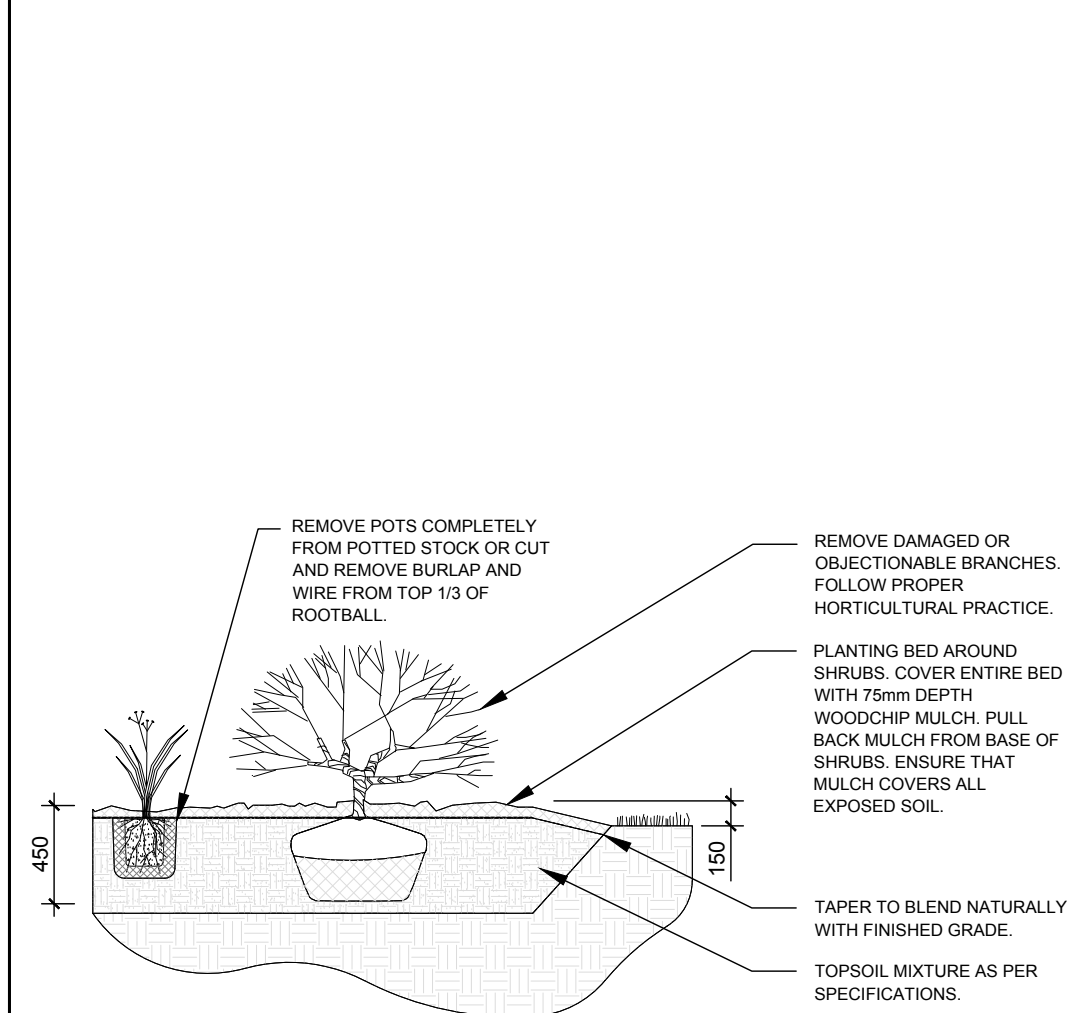
DRAWING NO.
L.1

PLOT SIZE ARCH-D

PROPOSED PLANT LIST QTY KEY

KEY	QTY	BOTANICAL NAME	COMMON NAME	SIZE	CONDITION	REMARKS
TREES						
FM	1	Acer x freemanii	Freeman's Maple	60mm cal.	B&B	
HB	1	Celtis occidentalis	Hackberry	60mm cal.	B&B	
HL	5	Gleditsia triacanthos 'Draves'	Street Keeper Honey Locust	60mm cal.	B&B	
JL	3	Syringa reticulata	Japanese Tree Lilac	60mm cal.	B&B	
RM	1	Acer rubrum	Red Maple	60mm cal.	B&B	
SM	1	Acer saccharum	Sugar Maple	60mm cal.	B&B	
SHRUBS						
AH	26	Hydrangea arborescens 'Annabelle'	Annabelle Hydrangea	1 gallon pot	Potted	1000mm o.c.
FS	44	Sorbaria sorbifolia 'Sem'	Sem False Spirea	600mm ht.	Potted	1000mm o.c.
PF	13	Potentilla fruticosa 'Goldfinger'	Goldfinger Cinquefoil	800mm ht.	Potted	1000mm o.c.
RR	48	Rosa rugosa	Rugosa Rose	800mm ht.	Potted	1000mm o.c.
ORNAMENTAL GRASSES						
KF	75	Calamagrostis x acutiflora 'Karl Foerster'	Feather Reed Grass	250mm pot	Potted	800 mm o.c.
SG	52	Panicum virgatum 'Shenandoah'	Shenandoah Switch Grass	250mm pot	Potted	800 mm o.c.

- GENERAL NOTES:**
- It is the responsibility of the appropriate contractor or official to report any errors, omissions or discrepancies on this plan with actual site conditions to the Landscape Architect before proceeding with construction.
 - The contractor is to notify all utility companies and authorities prior to any excavation and ascertain locations of underground services.
 - The contractor is to reinstate all areas and items damaged as a result of construction activity.
 - The contractor is to comply with all pertinent codes and by-laws.
 - The contractor is to maintain a positive surface run-off throughout the entire construction period.
 - The Landscape Architect is not responsible for subsurface conditions.
 - The contractor is to identify all existing trees to remain on site with the Landscape Architect prior to construction.
 - The contractor is to stake the proposed location of all plant material in conjunction with the Landscape Architect prior to excavation.
 - Building Foundations 7.5m
 - Sidewalks 1.5m
 - Public Streets 2.5m
 - Underground Infrastructure 2.0m
 - Minimum distances for selected deciduous trees are as follows:
 - Building Foundations 7.5m
 - Sidewalks 1.5m
 - Public Streets 2.5m
 - Underground Infrastructure 2.0m
 - All trees within 1m of underground utility trenches are to be excavated by hand.
 - Remove all protective wrapping from tree trunks after installation.
 - Staking of trees shall only be performed if necessary.
 - Ensure that mulch is pulled back a min. distance of 75mm from base of tree trunk.



D07-12-20-0080