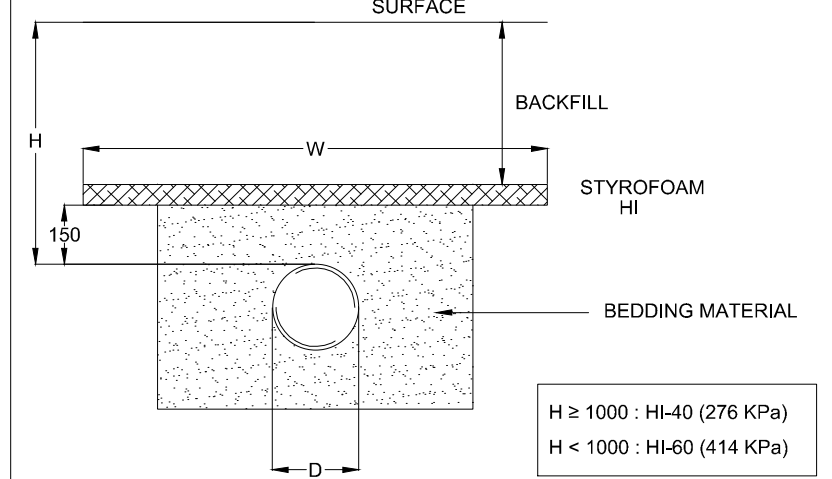


- NOTES
- Size and shape of the silt trap sack to fit the storm structure. It will service (rectangular or round).
  - The silt trap sack shall have a built-in high-flow relief system (overflow bypass).
  - The silt trap sack assembly must allow removal without spilling the collected material.
  - Empty silt trap sacks and blocks of sediment and debris before the sack is tied full.
  - Ensure the silt trap sack assembly does not spill or fall into the storm structure. If sediment is spilled into the storm structure, remove the spilled material by suction hose or other approved method.
  - Provide protection for catch basin hoods (Wattles, 2x4 lumber, and so forth).

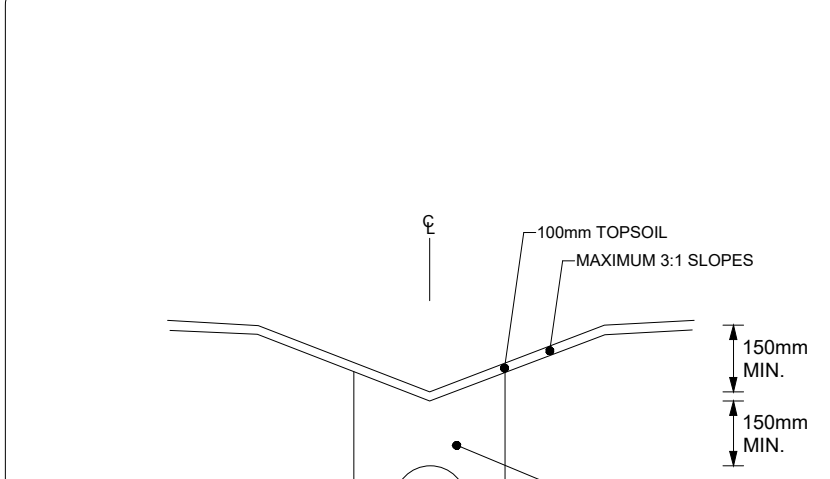
SILT SACK DETAIL  
PARSONS D1



INSULATION MINIMUM WIDTH (W)

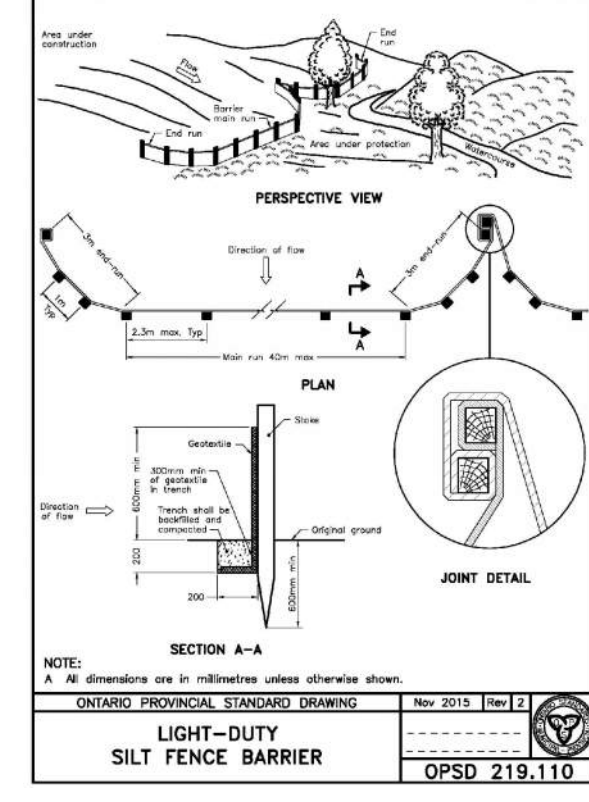
H	≤150	200	250	300	400	500	600	INSULATION THICKNESS
750	2250	2300	2350	2400	2500	2600	2700	100
1000	1750	1800	1850	1900	2000	2100	2200	90
1250	1250	1300	1350	1400	1500	1600	1700	80
1500	750	800	850	900	1000	1100	1200	70
1750	600	600	600	600	600	600	700	60

THERMAL INSULATION FOR SEWER IN SHALLOW TRENCHES  
PARSONS D2

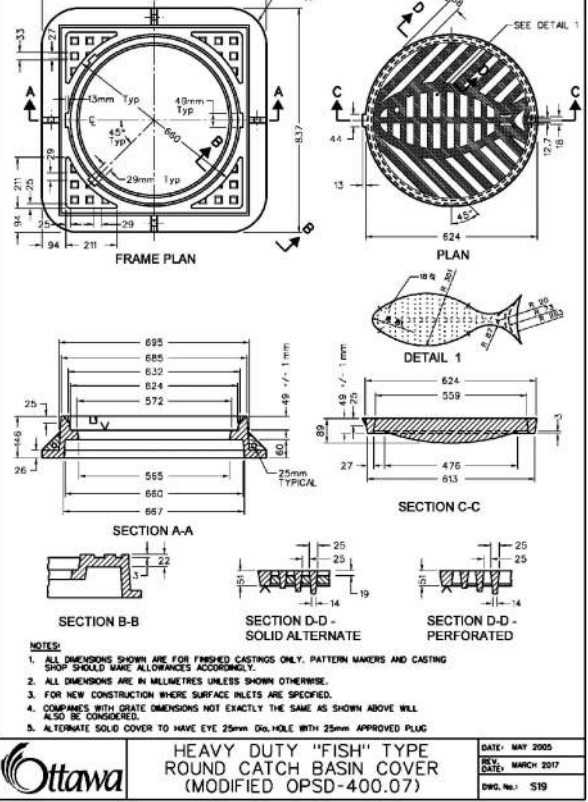


- NOTES
- SIDE SLOPE OF SWALE - MIN. 1.5% MAX 3:1
  - UNDERPAVEMENT STRUCTURE NON PERFORATED PIPE TO BE USED WITH 75mm BEDDING AND BACKFILLED WITH APPROVED NATIVE MATERIAL.
  - GEOTEXTILE SHALL BE APPROVED NON-WOVEN CLASS 1 OR AS SPECIFIED.

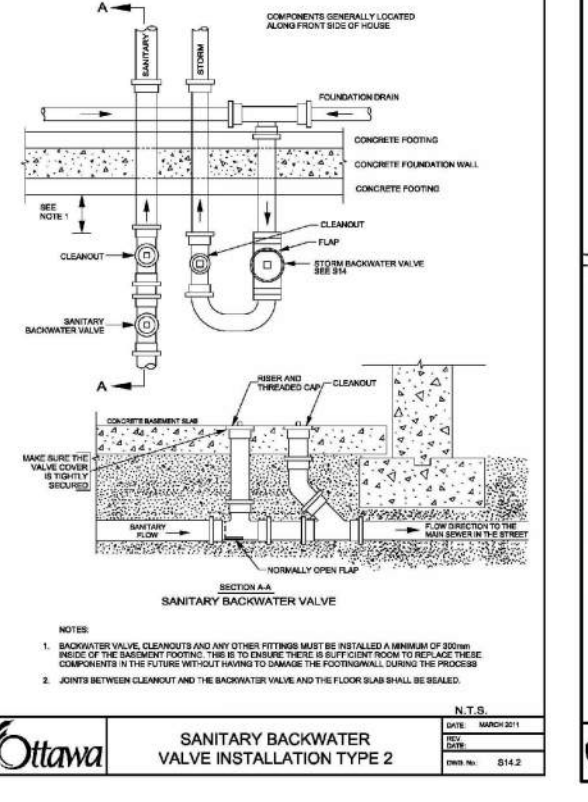
PERFORATED PIPE INSTALLATION UNDERNEATH SWALE  
PARSONS D3



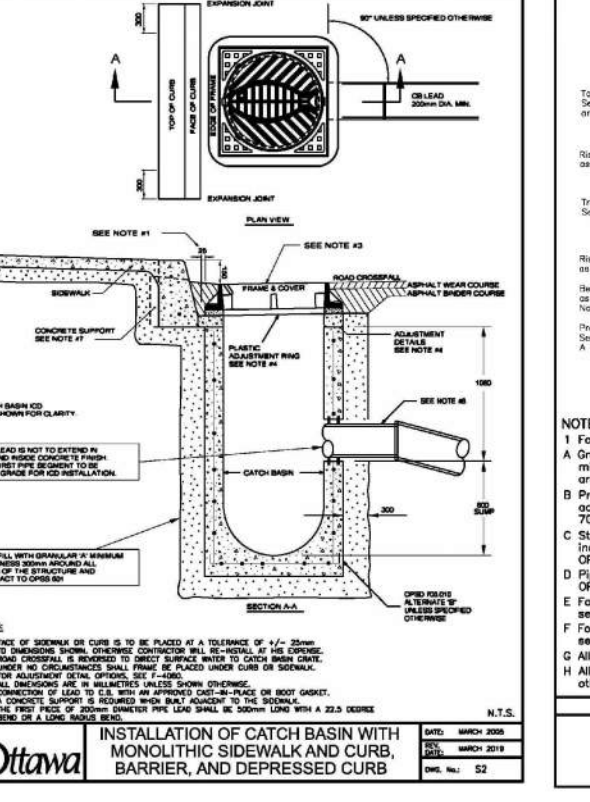
LIGHT-DUTY SILT FENCE BARRIER  
OTAWA OPSD 219.110



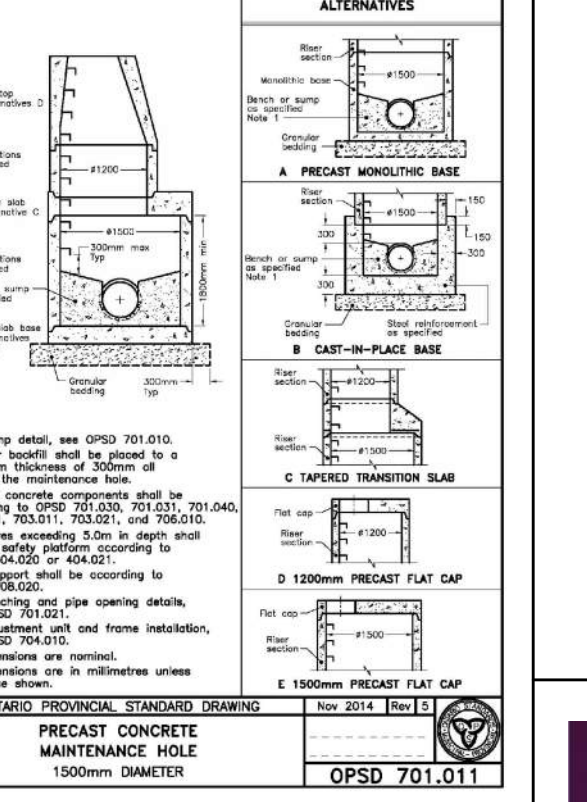
HEAVY DUTY "FISH" TYPE ROUND CATCH BASIN COVER  
OTAWA OPSD 420.071



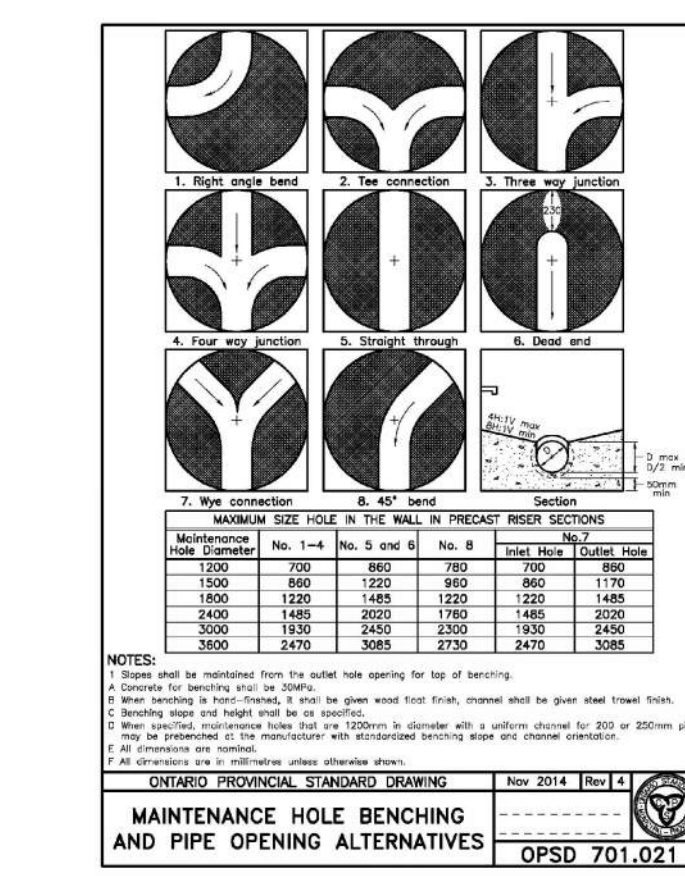
SANITARY BACKWATER VALVE INSTALLATION TYPE 2  
OTAWA OPSD 602.013



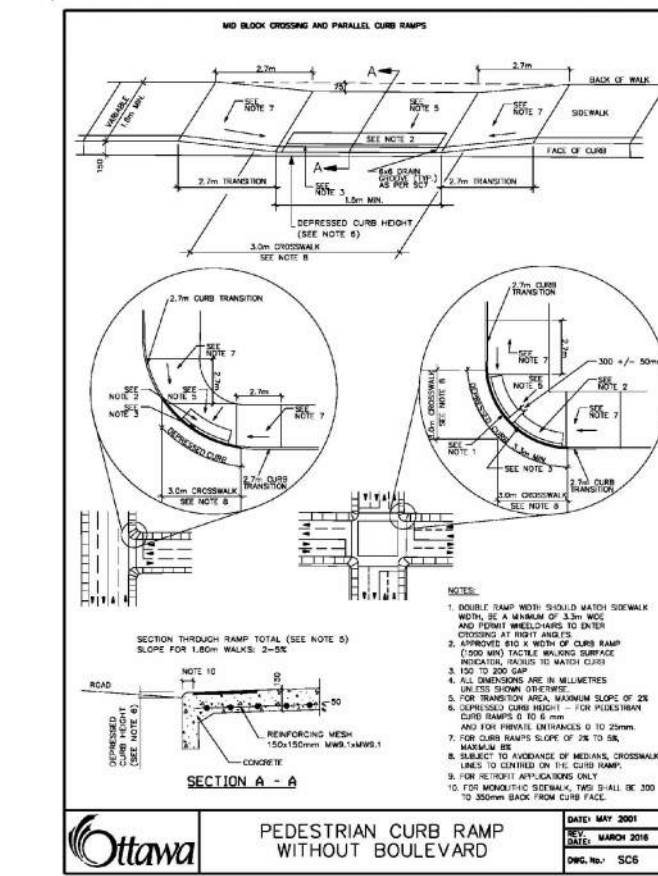
INSTALLATION OF CATCH BASIN WITH MONOLITHIC SIDEWALK AND CURB BARRIER AND DEPRESSED CURB  
OTAWA OPSD 3120.100



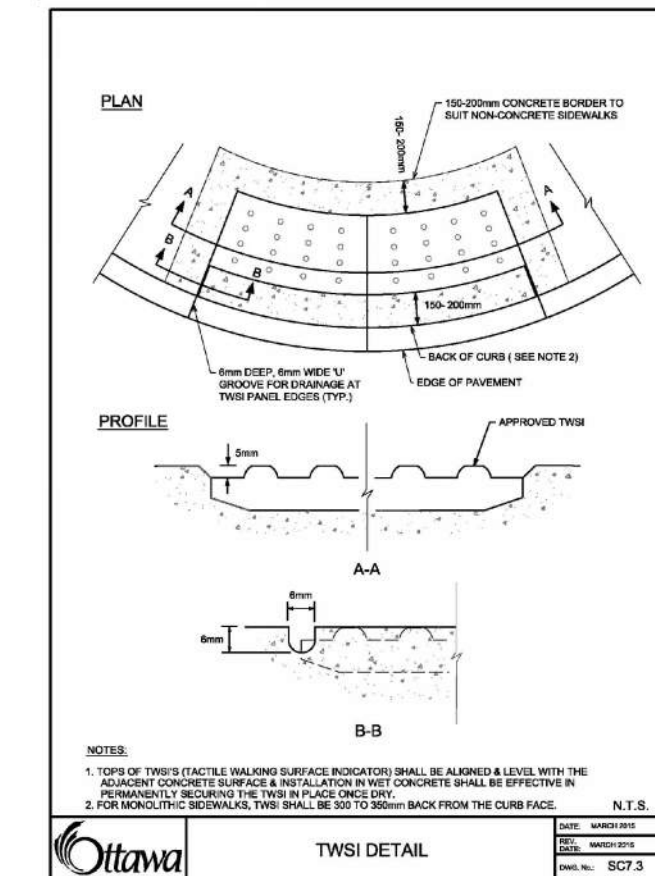
PRECAST CONCRETE MAINTENANCE HOLE 1500mm DIAMETER  
OTAWA OPSD 701.011



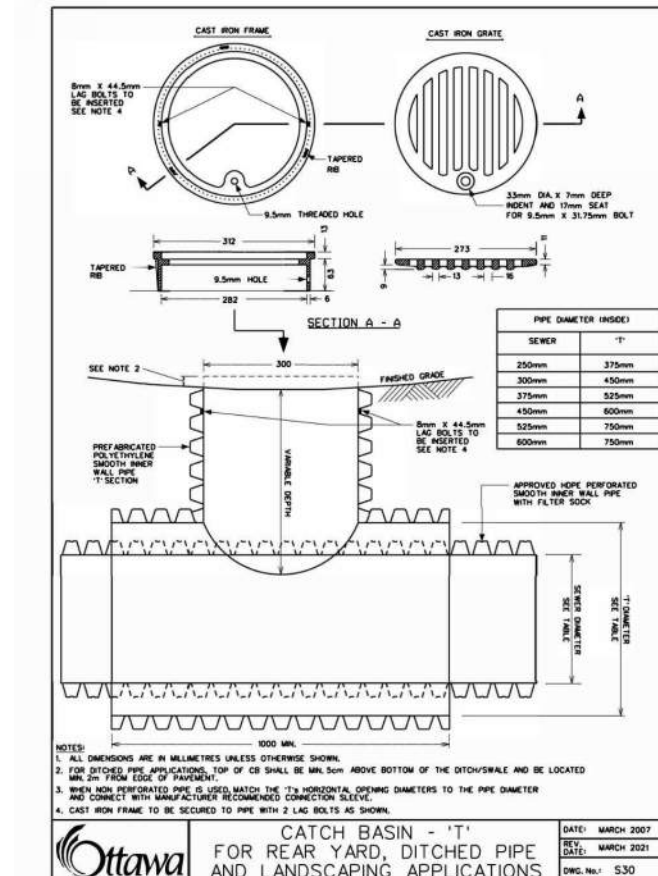
MAINTENANCE HOLE BENCHING AND PIPE OPENING ALTERNATIVES  
OTAWA OPSD 701.021



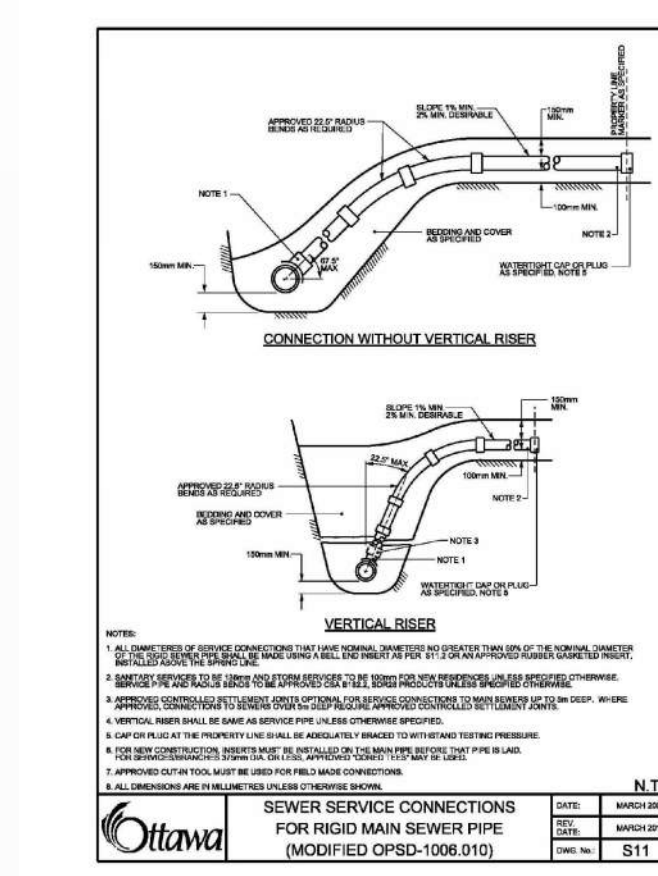
PEDESTRIAN CURB RAMP WITHOUT BOULEVARD  
OTAWA OPSD 507



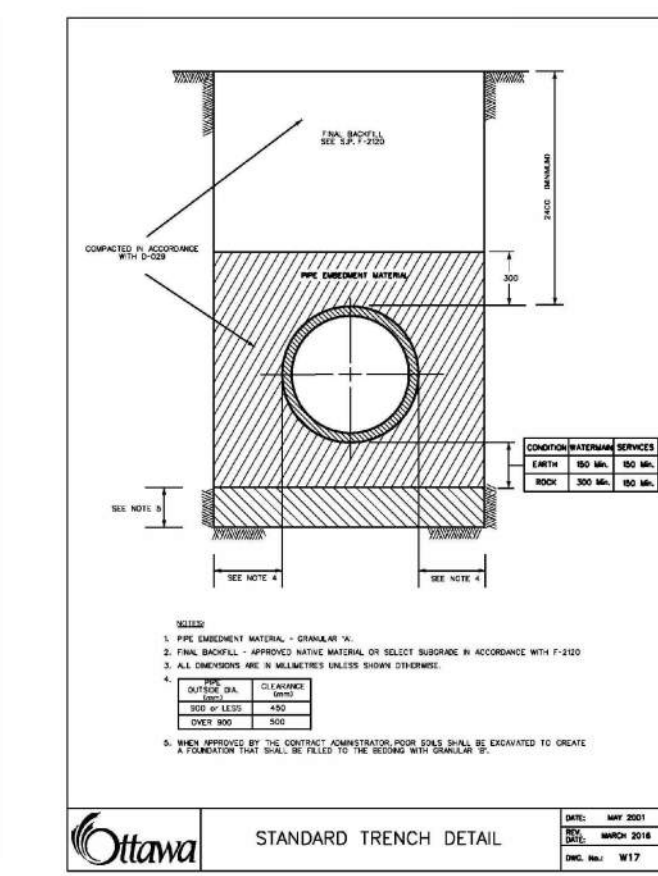
TWSI DETAIL  
OTAWA OPSD 507



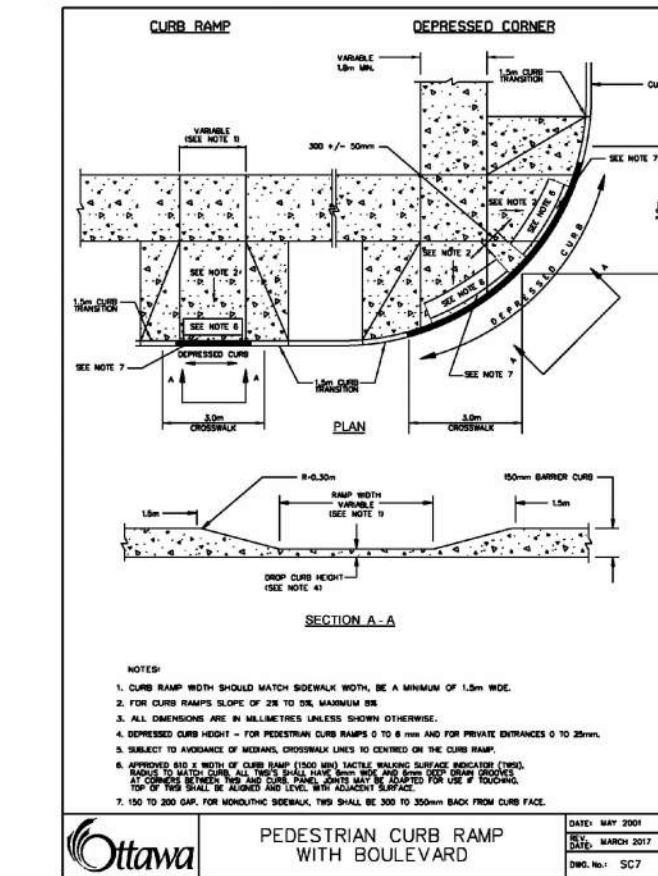
FOR REAR YARD, DITCHED PIPE AND LANDSCAPING APPLICATIONS  
OTAWA OPSD 507



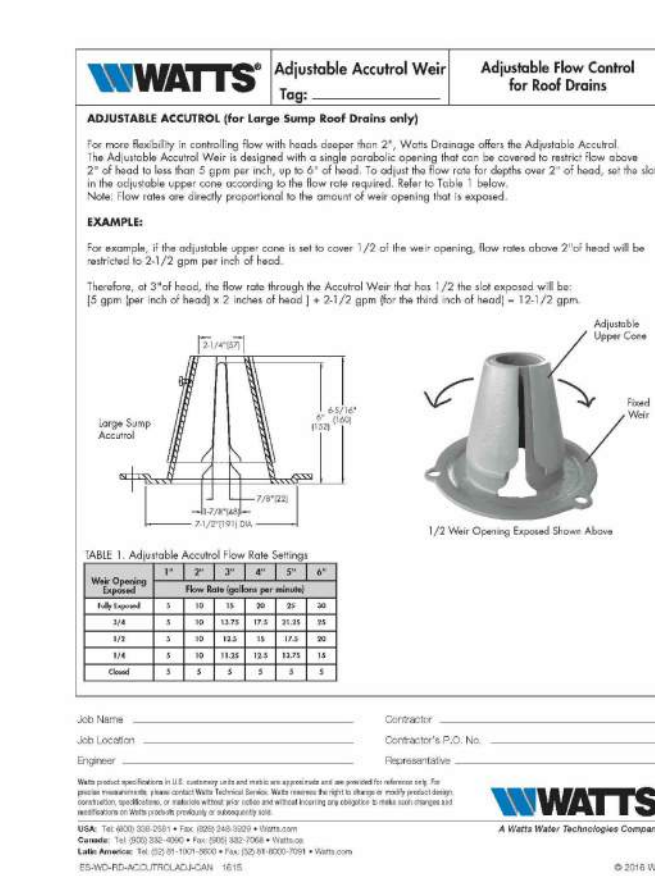
SEWER SERVICE CONNECTIONS FOR RIGID MAIN SEWER PIPE (MODIFIED OPSD-1006.915)  
OTAWA OPSD S11



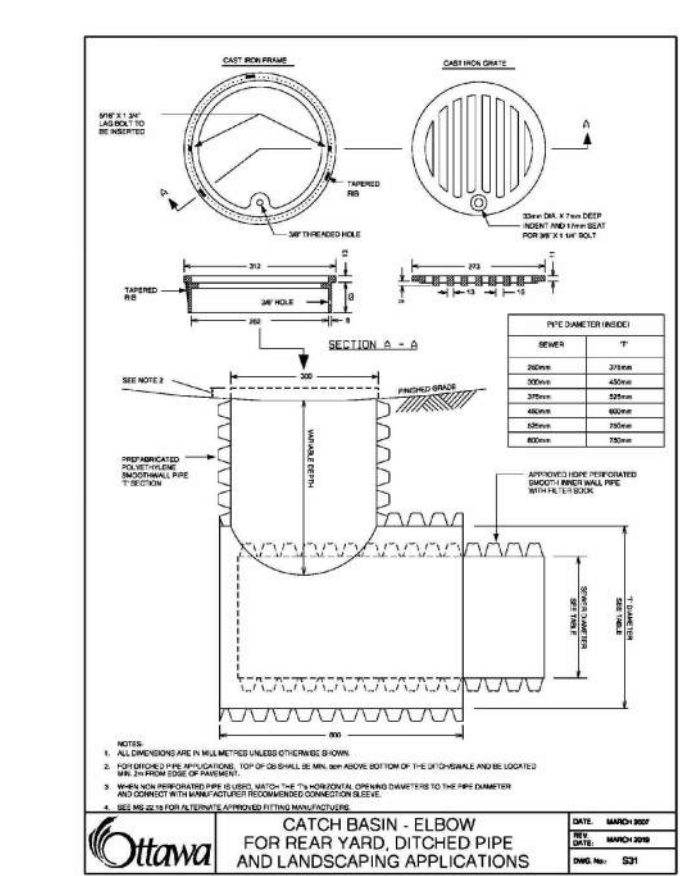
STANDARD TRENCH DETAIL  
OTAWA OPSD 507



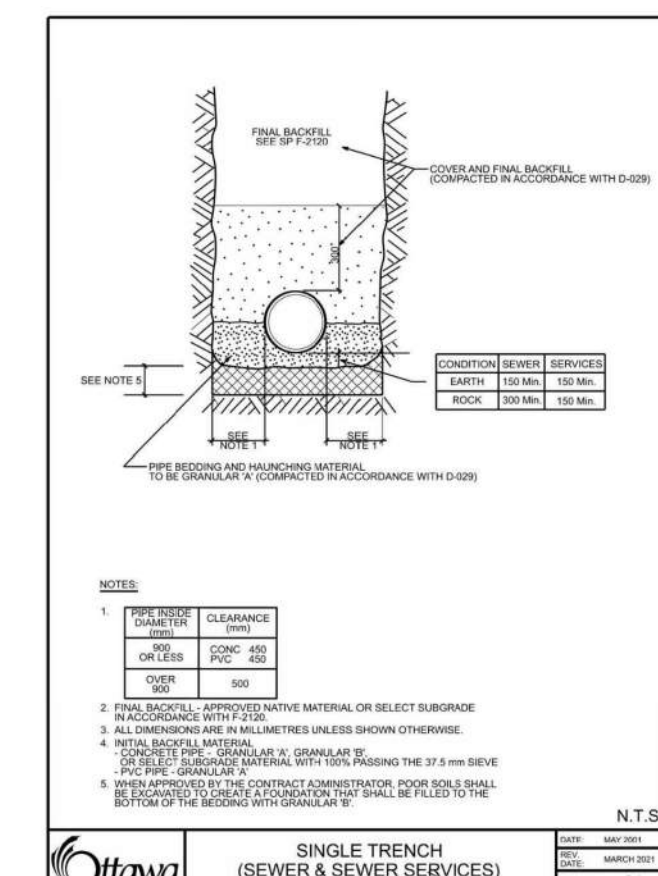
PEDESTRIAN CURB RAMP WITH BOULEVARD  
OTAWA OPSD 507



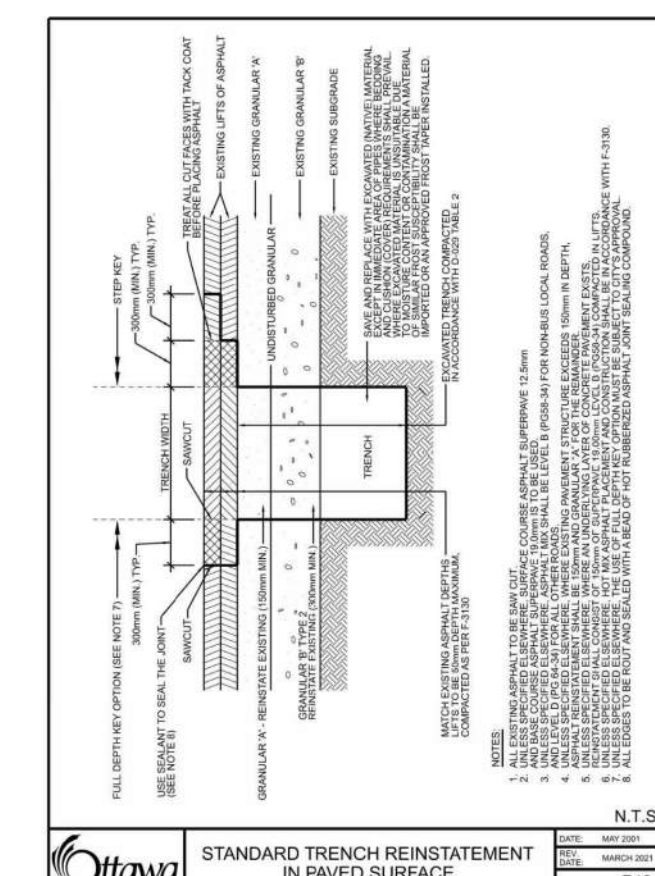
WATTS Adjustable Flow Control for Roof Drains  
WATTS



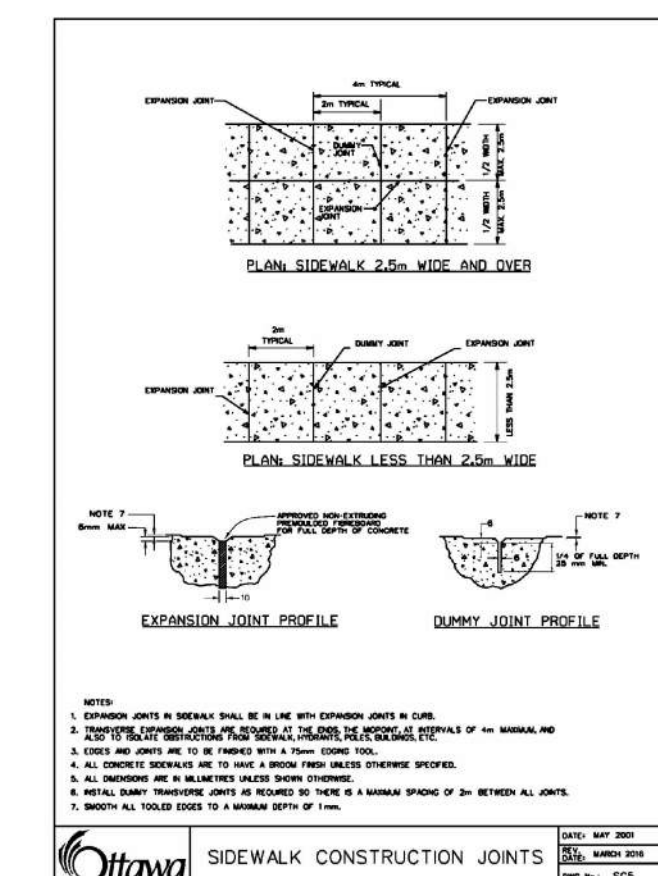
CATCH BASIN - FLOW FOR REAR YARD, DITCHED PIPE AND LANDSCAPING APPLICATIONS  
OTAWA OPSD 507



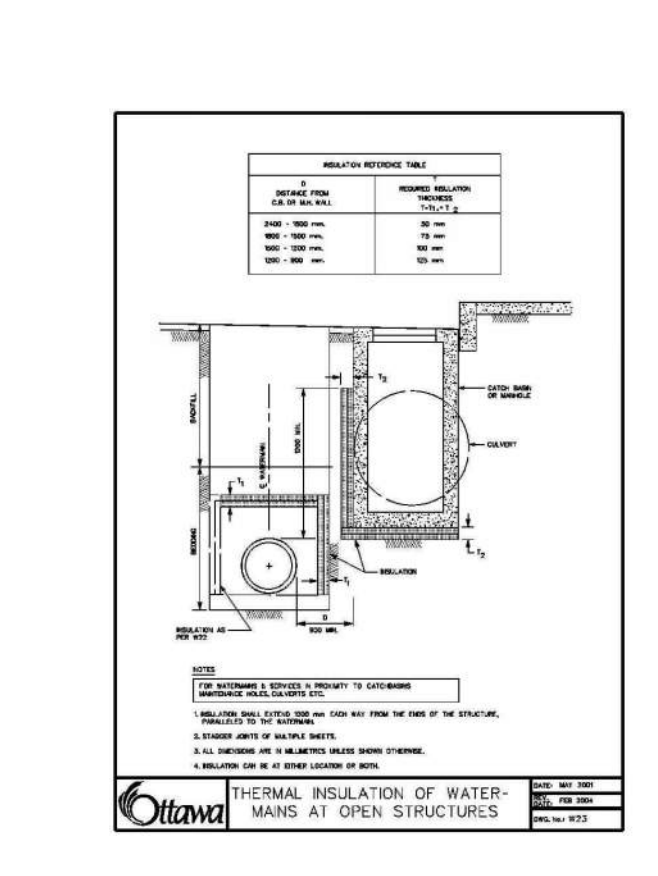
SINGLE TRENCH (SEWER & SEWER SERVICES)  
OTAWA OPSD 507



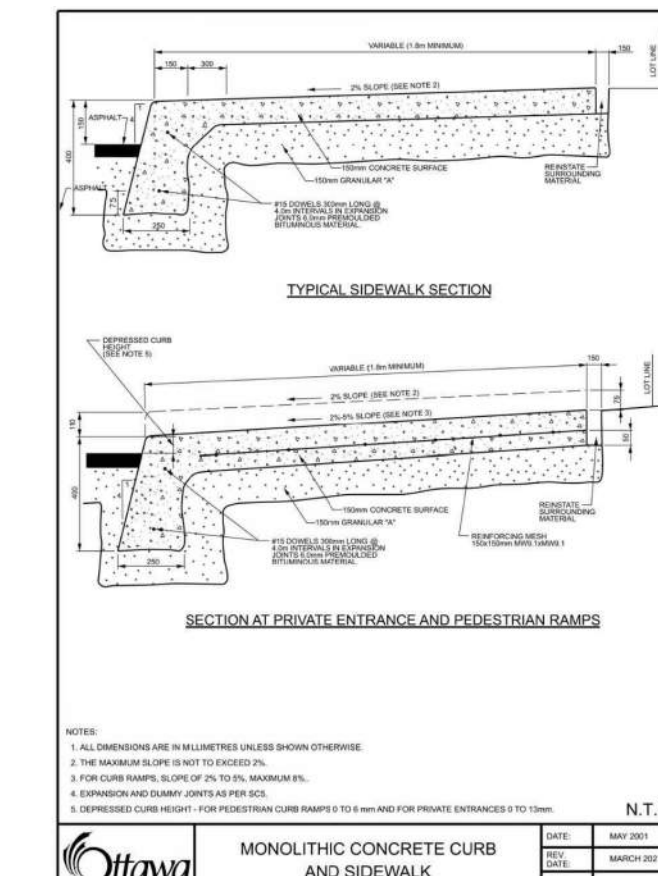
STANDARD TRENCH REINSTATEMENT IN PAVED SURFACE  
OTAWA OPSD R10



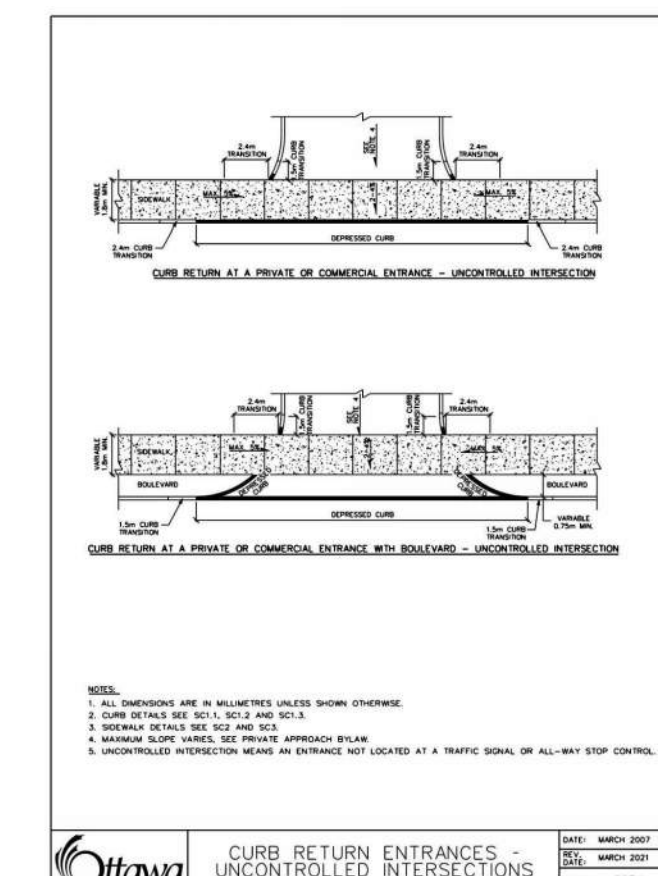
SIDEWALK CONSTRUCTION JOINTS  
OTAWA OPSD 507



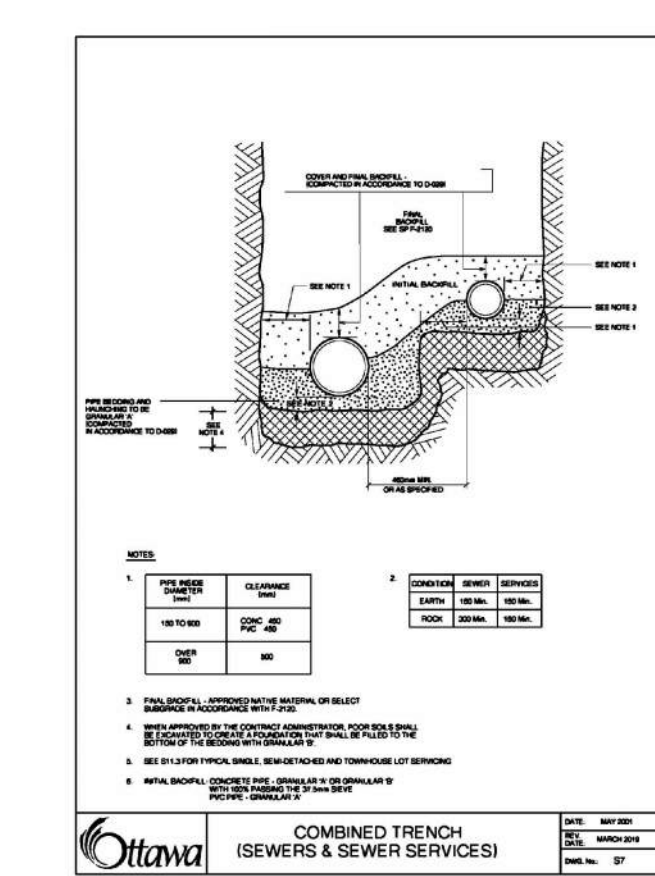
THERMAL INSULATION OF WATER-MAINS AT OPEN STRUCTURES  
OTAWA OPSD 507



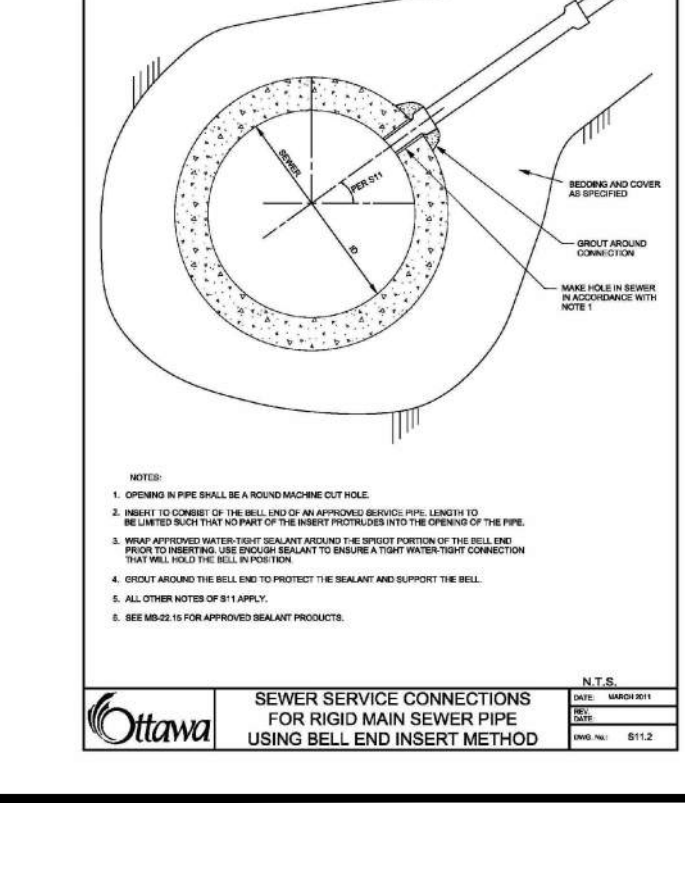
MONOLITHIC CONCRETE CURB AND SIDEWALK  
OTAWA OPSD SC2



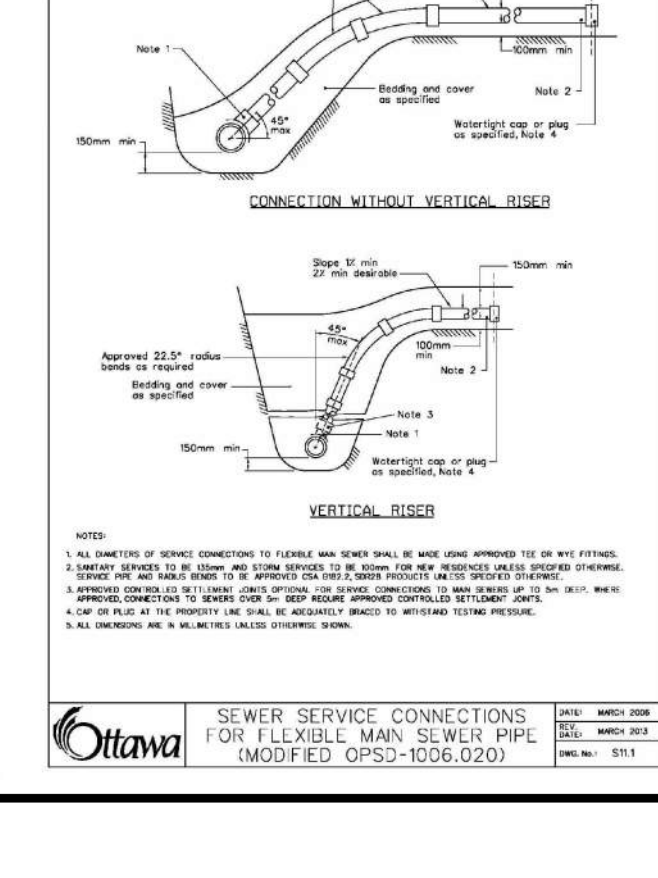
CURB RETURN ENTRANCES - UNCONTROLLED INTERSECTIONS  
OTAWA OPSD SC1



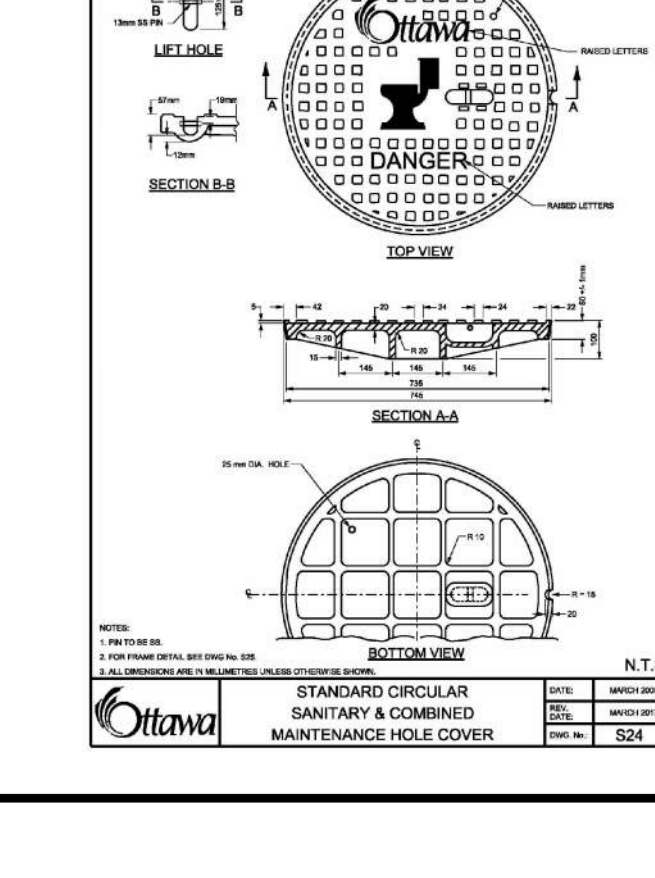
COMBINED TRENCH (SEWERS & SEWER SERVICES)  
OTAWA OPSD 507



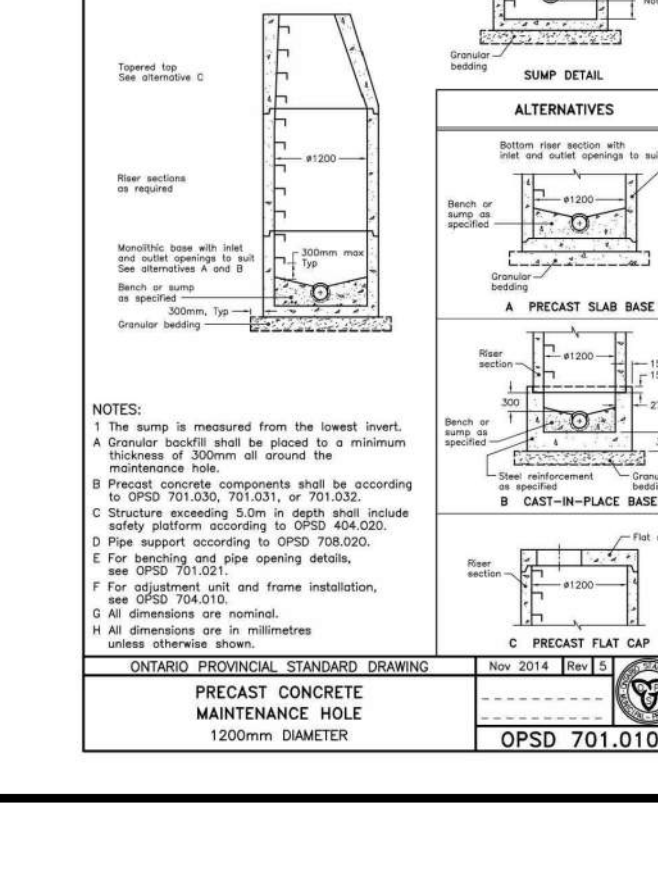
SEWER SERVICE CONNECTIONS FOR RIGID MAIN SEWER PIPE USING BELL END INSERT METHOD  
OTAWA OPSD S11



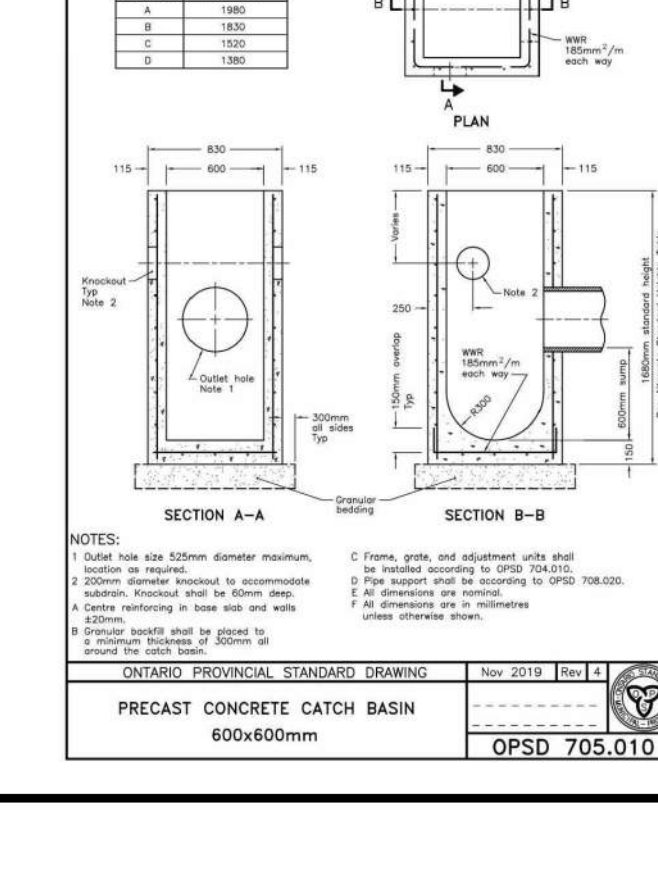
SEWER SERVICE CONNECTIONS FOR FLEXIBLE MAIN SEWER PIPE (MODIFIED OPSD-1006.920)  
OTAWA OPSD S11



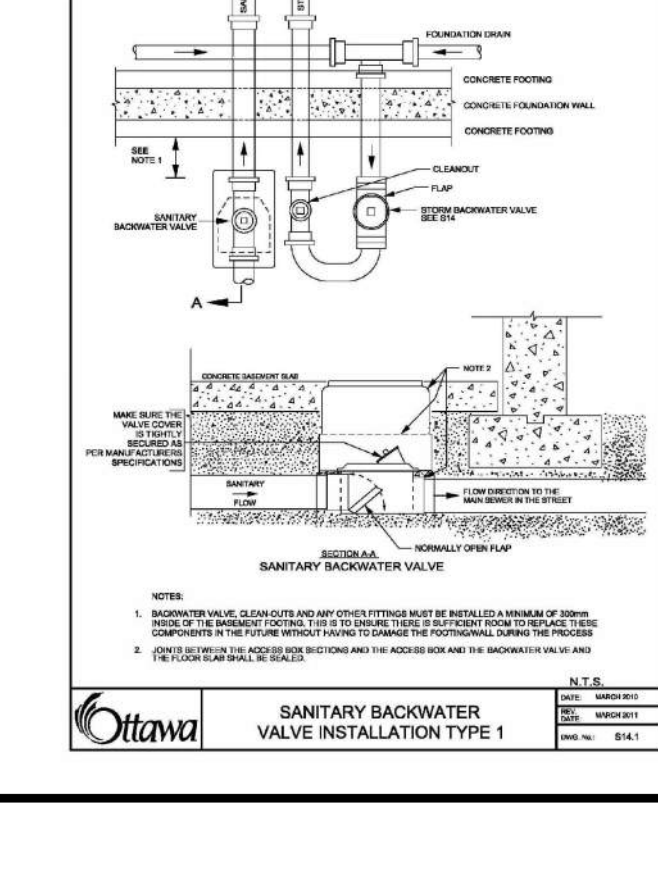
STANDARD CIRCULAR SANITARY & COMBINED MAINTENANCE HOLE COVER  
OTAWA OPSD S21



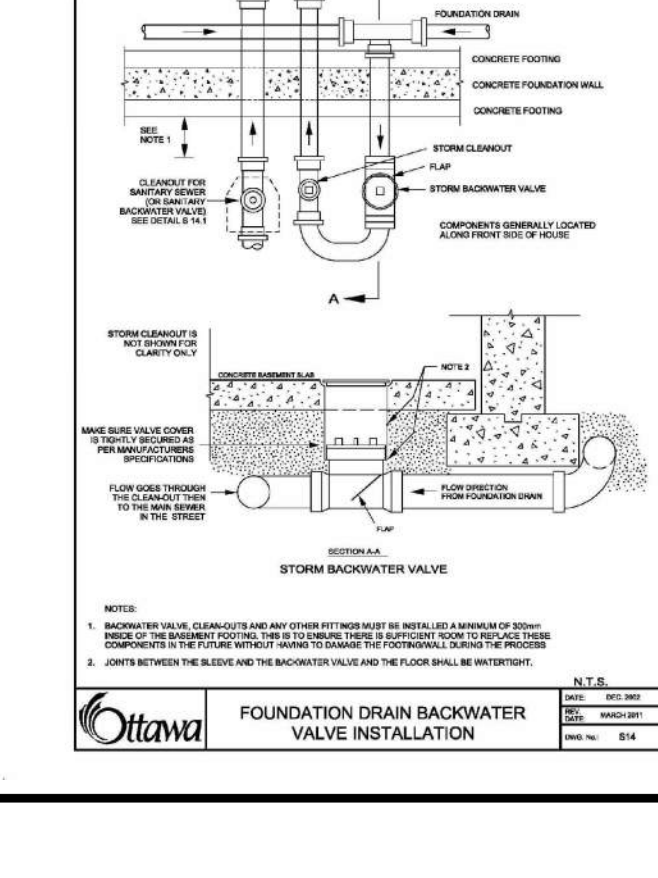
PRECAST CONCRETE MAINTENANCE HOLE 1200mm DIAMETER  
OTAWA OPSD 701.010



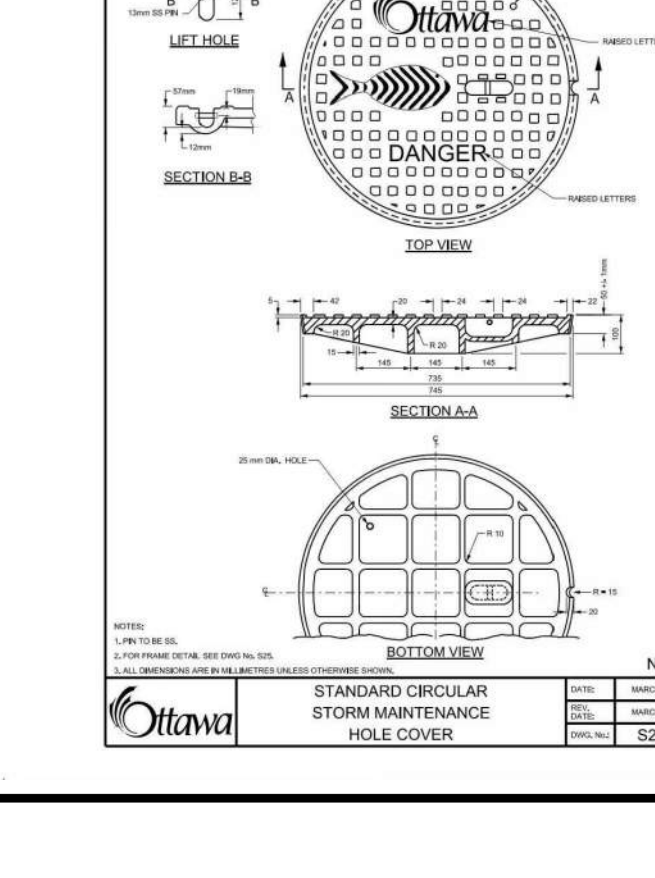
PRECAST CONCRETE CATCH BASIN 600x600mm  
OTAWA OPSD 705.010



SANITARY BACKWATER VALVE INSTALLATION TYPE 1  
OTAWA OPSD 602.013

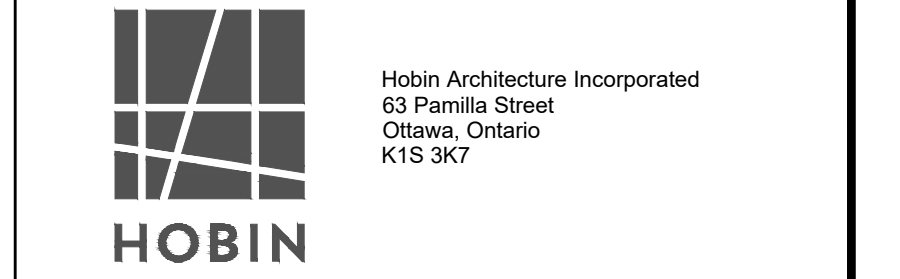


SANITARY BACKWATER VALVE INSTALLATION  
OTAWA OPSD 602.013



STANDARD CIRCULAR STORM MAINTENANCE HOLE COVER  
OTAWA OPSD S24

Owner  
Richmond Churchill Limited Partnership  
485 Bank Street, Suite 200  
Ottawa, Ontario  
K2P 1Z2



Landscaping Architecture  
Urban Design  
Site Planning  
Recreation and Park Planning  
Project Management

319 McRae Avenue, Suite 502, Ottawa, Ontario, K1Z 0B9  
Tel: (613) 729-4536

No.	Revision	Date
05	RE-ISSUED FOR SPA	NOV 24, 2021
04	RE-ISSUED FOR SPA	OCT 8, 2021
03	RE-ISSUED FOR SPA	MAY 6, 2021
02	RE-ISSUED FOR SPA	DEC 18, 2020
01	ISSUED FOR SPA	JUNE 11, 2020

Stamp: REGISTERED PROFESSIONAL ENGINEER  
M. MacSwain  
S. L. STERLING  
100104372  
NOV 24, 2021  
PROVINCE OF ONTARIO



1223 MICHAEL STREET, SUITE 100, OTTAWA, ONTARIO K1J 7T2  
Tel: 613-738-4160 Fax: 613-739-7105

DOUGLAS JAMES, MCIP, RPP  
MANAGER, DEVELOPMENT REVIEW - CENTRAL  
PLANNING, INFRASTRUCTURE & ECONOMIC  
DEVELOPMENT DEPARTMENT, CITY OF OTTAWA

APPROVED  
By Douglas James at 3:18 pm, Feb 07, 2022

Project: 327 RICHMOND ROAD  
OTTAWA, ONTARIO

Drawing: DETAILS

Scale: 1:200 Date: MAY 2020

Design By: MM Drawn By: SS

Project Number: 477093 Sheet Number: C103

D07-12-20-0081