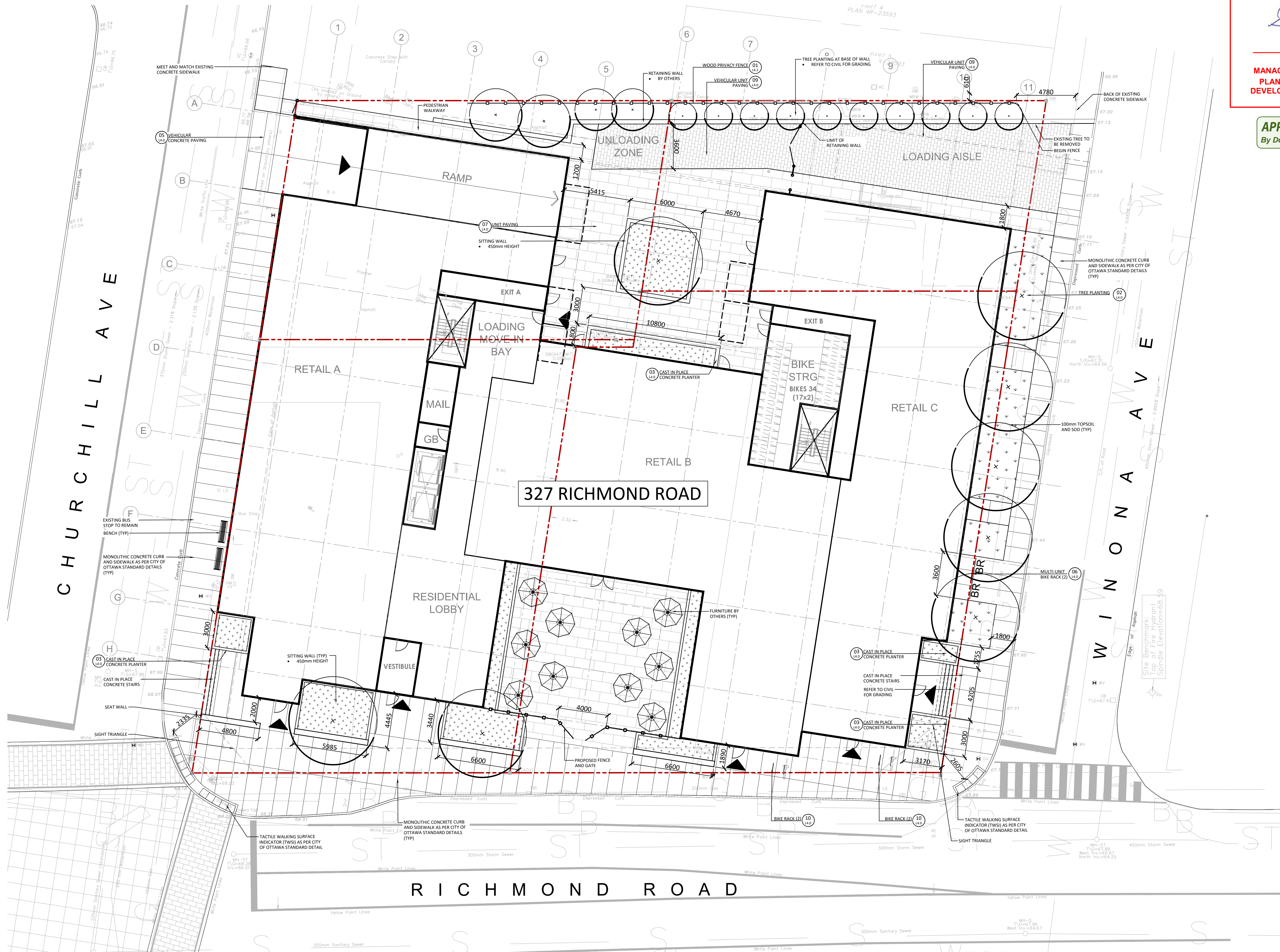


DJ

DOUGLAS JAMES, MCIP, RPP
MANAGER, DEVELOPMENT REVIEW - CENTRAL
PLANNING, INFRASTRUCTURE & ECONOMIC
DEVELOPMENT DEPARTMENT, CITY OF OTTAWA

APPROVED
 By Douglas James at 3:12 pm, Feb 07, 2022



No.	Revision	Date
5	RE-ISSUED FOR SPA	08 OCT 2021
4	RE-ISSUED FOR SPA	11 MAY 2021
3	ISSUED FOR COORDINATION	23 APR 2021
2	RE-ISSUED FOR SPA	18 DEC 2020
1	ISSUED FOR SPA	22 MAY 2020

North:

Stamp:

CSW Landscape Architecture
 Urban Design
 Site Planning
 Recreation and Park Planning
 Project Management

319 McRae Avenue, Suite 502, Ottawa, Ontario, K1Z 0B9
 Tel: (613) 729-4536

- All measurements in millimeters unless specified otherwise. Do not scale drawing. All drawings to be read in conjunction with written specifications.
- Copyright reserved. This drawing is the exclusive property of CSW Landscape Architects Ltd. and shall not be used without the consent thereof.
- This Drawing may not be used for construction until signed by the landscape architect. It is the responsibility of the contractor to:
 - check and verify all dimensions on site;
 - report all errors and/or omissions to the landscape architect;
 - comply with all pertinent codes and by-laws;
 - check and verify locations of all underground services with all local utilities prior to any digging.

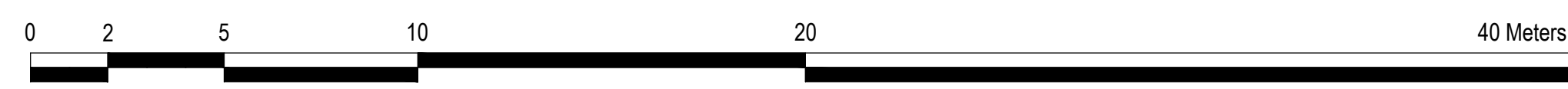
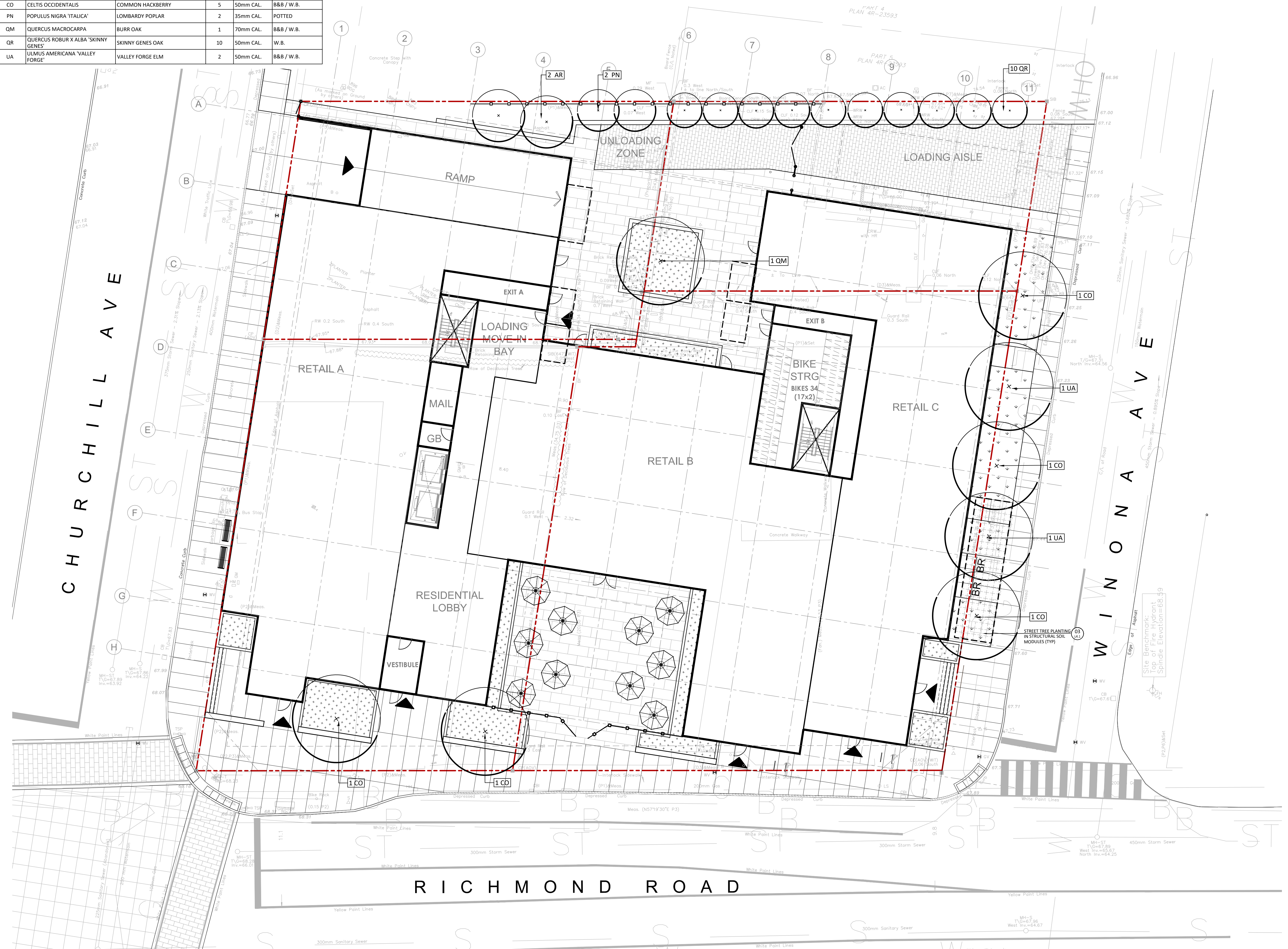
Project:
327 RICHMOND ROAD
RICHMOND CHURCHILL
LIMITED PARTNERSHIP
 OTTAWA, ONTARIO

Drawing:
LANDSCAPE PLAN

Scale: 1:150	Date: MARCH 2020
Design By: JM	Drawn By: SMc
Project Number: 1942-12	Sheet Number: L1.0

D07-12-20-0081

KEY	BOTANICAL NAME	COMMON NAME	QTY	SIZE	REMARKS
AR	ACER RUBRUM 'ARMSTRONG'	ARMSTRONG MAPLE	2	50mm CAL.	B&B / W.B.
CO	CELTIS OCCIDENTALIS	COMMON HACKBERRY	5	50mm CAL.	B&B / W.B.
PN	POPULUS NIGRA 'ITALICA'	LOMBARDY POPLAR	2	35mm CAL.	POTTED
QM	QUERCUS MACROCARPA	BURR OAK	1	70mm CAL.	B&B / W.B.
QR	QUERCUS ROBUR X ALBA 'SKINNY GENES'	SKINNY GENES OAK	10	50mm CAL.	W.B.
UA	ULMUS AMERICANA 'VALLEY FORGE'	VALLEY FORGE ELM	2	50mm CAL.	B&B / W.B.



No.	Revision	Date
5	RE-ISSUED FOR SPA	08 OCT 2021
4	RE-ISSUED FOR SPA	11 MAY 2021
3	ISSUED FOR COORDINATION	23 APR 2021
2	RE-ISSUED FOR SPA	18 DEC 2020
1	ISSUED FOR SPA	22 MAY 2020

North:

Stamp:

CSW Landscape Architecture
 Urban Design
 Site Planning
 Recreation and Park Planning
 Project Management

319 McRae Avenue, Suite 502, Ottawa, Ontario, K1Z 0B9
 Tel: (613) 729-4536

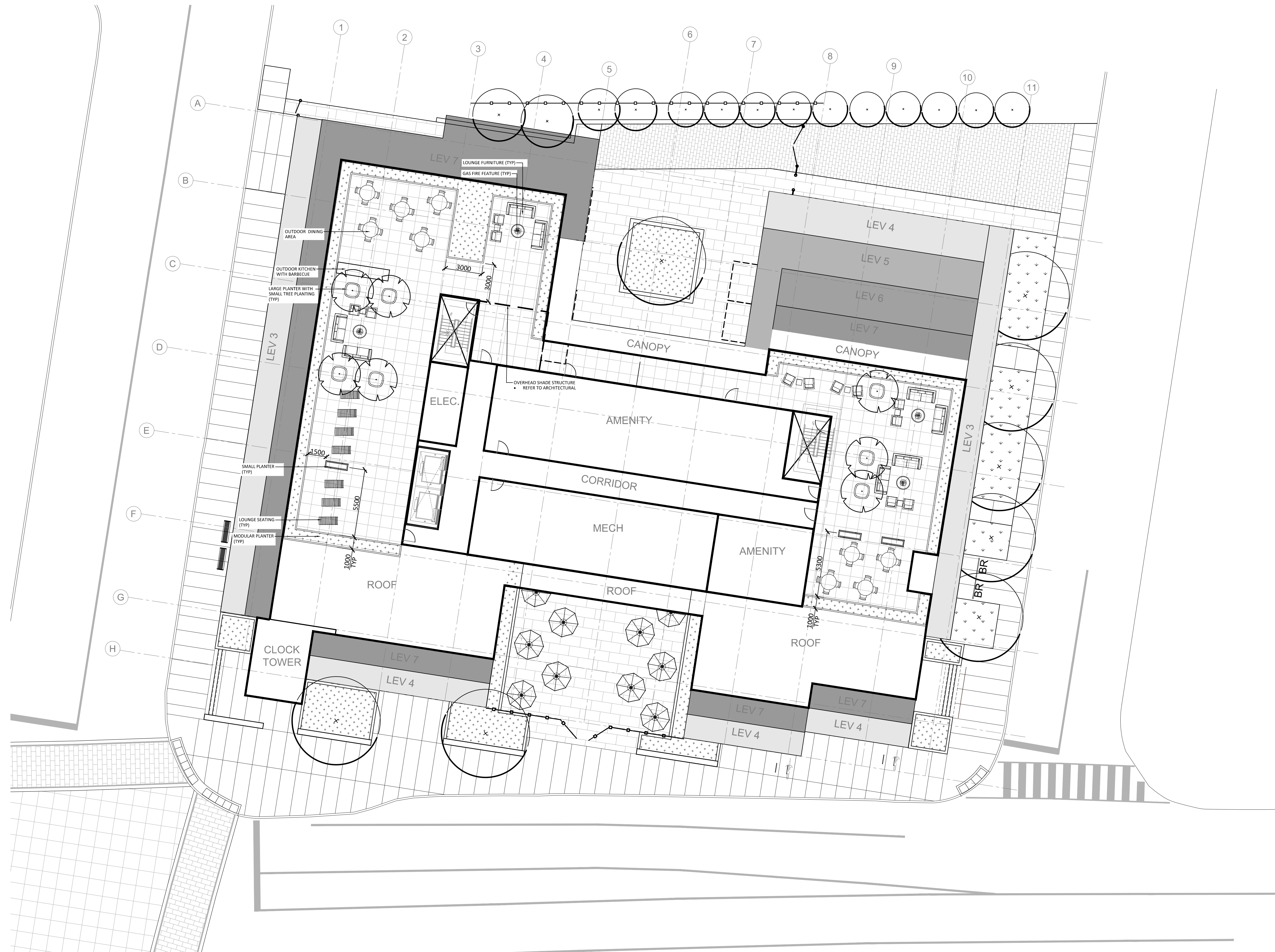
- All measurements in millimeters unless specified otherwise. Do not scale drawing. All drawings to be read in conjunction with written specifications.
- Copyright reserved. This drawing is the exclusive property of CSW Landscape Architects Ltd. and shall not be used without the consent thereof.
- This Drawing may not be used for construction until signed by the landscape architect. It is the responsibility of the contractor to:
 - check and verify all dimensions on site;
 - report all errors and/or omissions to the landscape architect;
 - comply with all pertinent codes and by-laws;
 - check and verify locations of all underground services with all local utilities prior to any digging.

Project:
327 RICHMOND ROAD
RICHMOND CHURCHILL
LIMITED PARTNERSHIP
 OTTAWA, ONTARIO

Drawing:
PLANTING PLAN

Scale: 1:150	Date: MARCH 2020
Design By: JM	Drawn By: SMc
Project Number: 1942-12	Sheet Number: L1.1

D07-12-20-0081



No.	Revision	Date
5	RE-ISSUED FOR SPA	08 OCT 2021
4	RE-ISSUED FOR SPA	11 MAY 2021
3	ISSUED FOR COORDINATION	23 APR 2021
2	RE-ISSUED FOR SPA	18 DEC 2020
1	ISSUED FOR SPA	22 MAY 2020

North:

Stamp:

CSW Landscape Architecture
 Urban Design
 Site Planning
 Recreation and Park Planning
 Project Management

319 McRae Avenue, Suite 502, Ottawa, Ontario, K1Z 0B9
 Tel: (613) 729-4536

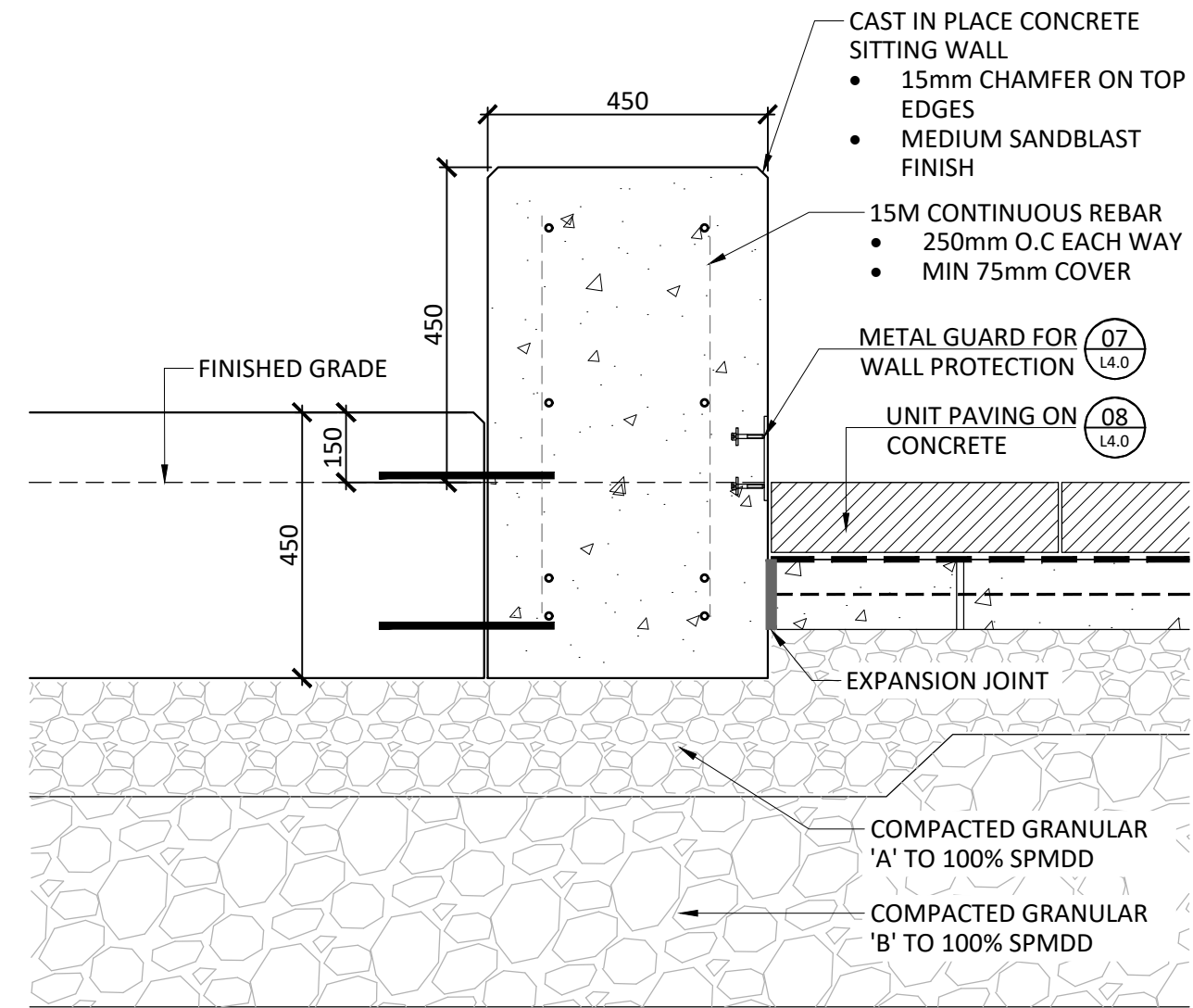
- All measurements in millimeters unless specified otherwise. Do not scale drawing. All drawings to be read in conjunction with written specifications.
- Copyright reserved. This drawing is the exclusive property of CSW Landscape Architects Ltd. and shall not be used without the consent thereof.
- This Drawing may not be used for construction until signed by the landscape architect. It is the responsibility of the contractor to:
 - check and verify all dimensions on site;
 - report all errors and/or omissions to the landscape architect;
 - comply with all pertinent codes and by-laws;
 - check and verify locations of all underground services with all local utilities prior to any digging.

Project:
327 RICHMOND ROAD
 RICHMOND CHURCHILL
 LIMITED PARTNERSHIP
 OTTAWA, ONTARIO

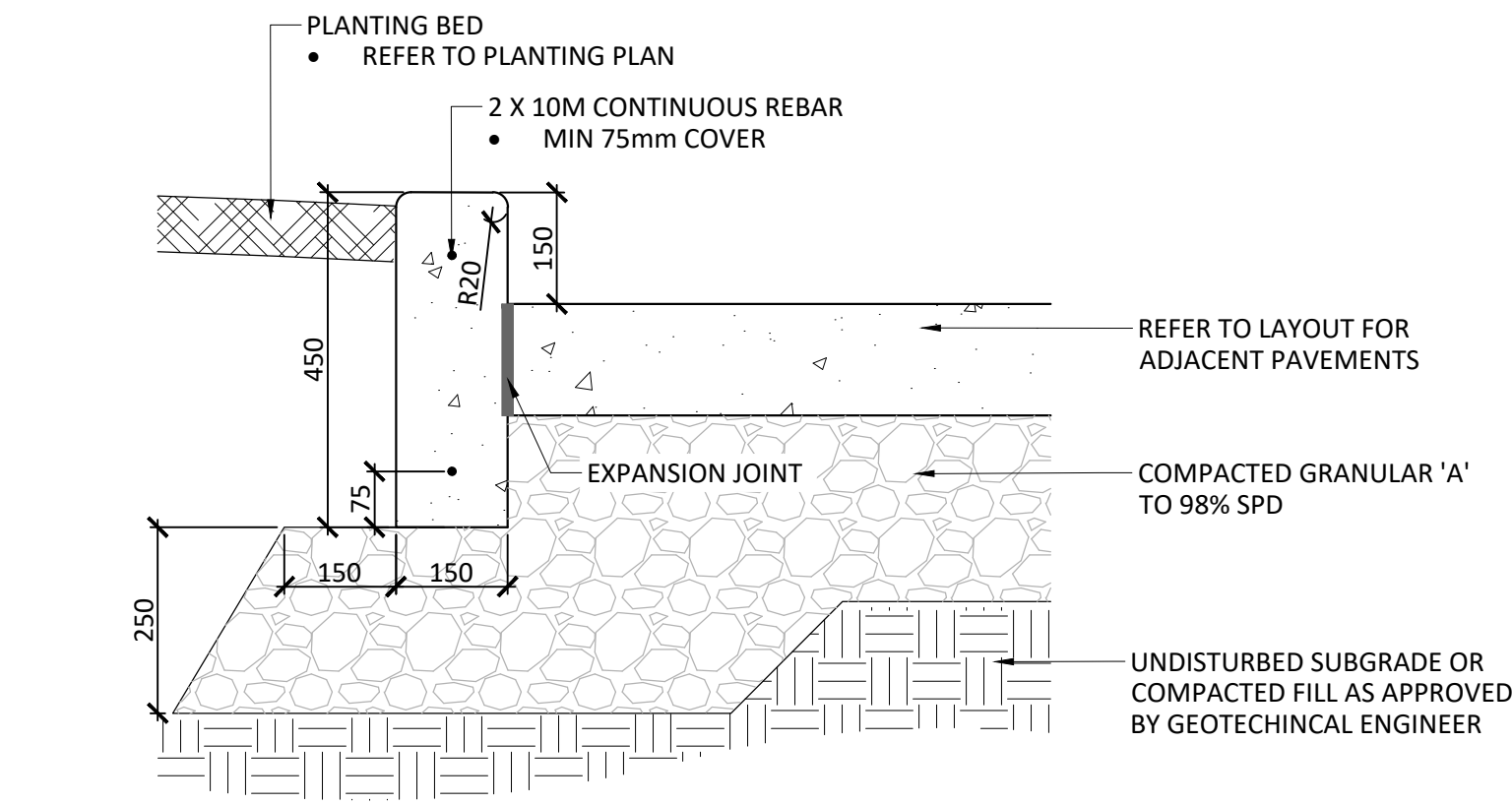
Drawing:
ROOF TERRACES

Scale: 1:150	Date: MARCH 2020
Design By: JM	Drawn By: SMc
Project Number: 1942-12	Sheet Number: L2.0

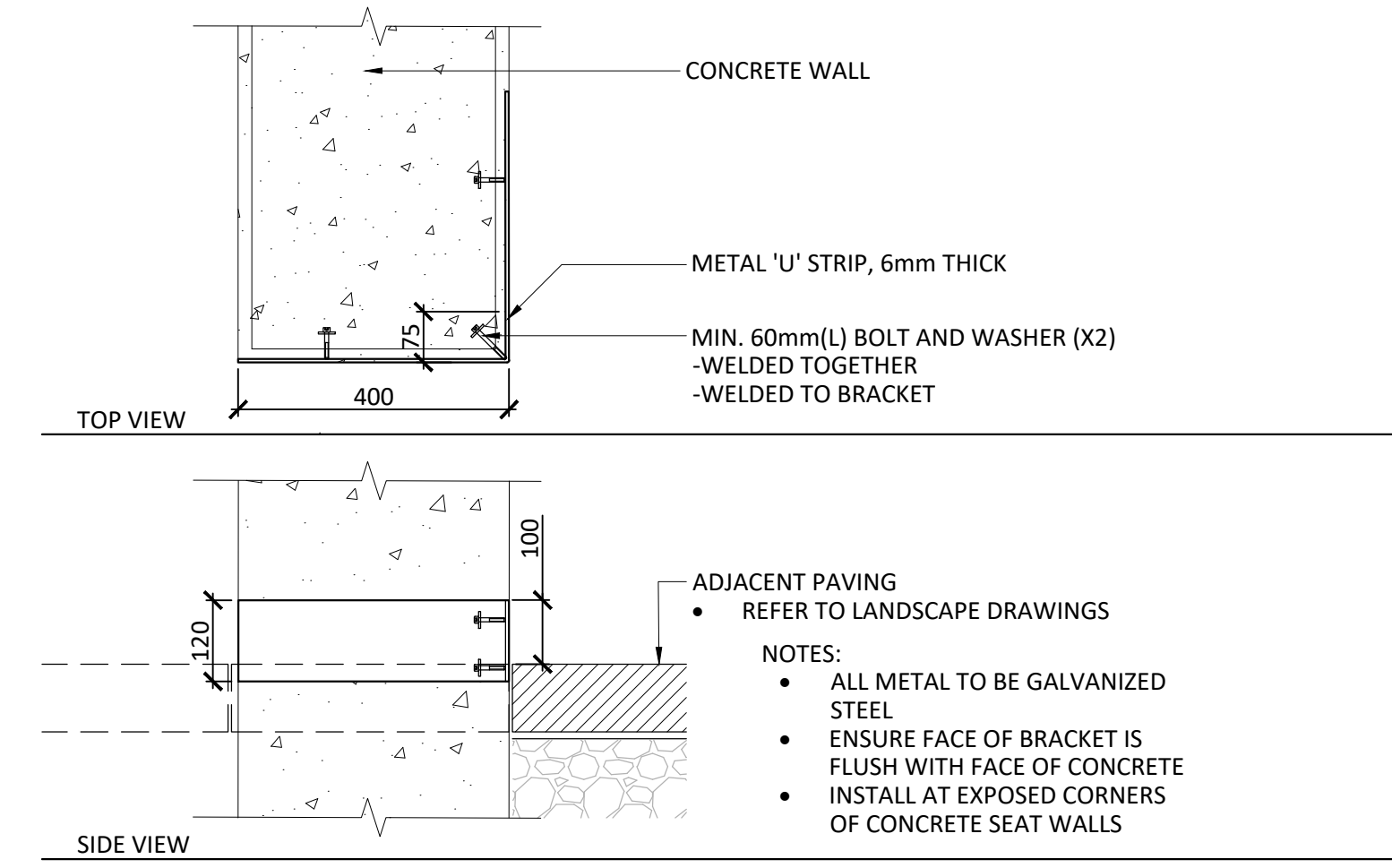
D07-12-20-0081



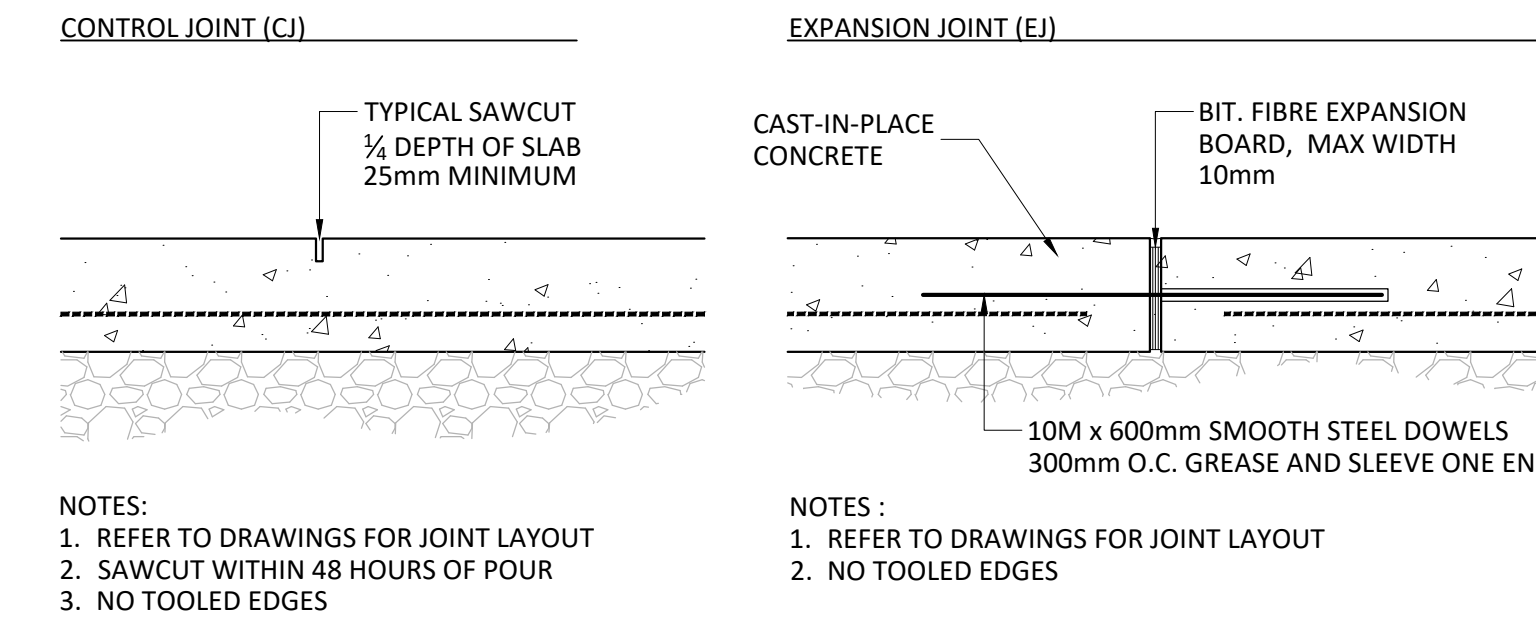
01 CONCRETE SITTING WALL
Scale 1:10



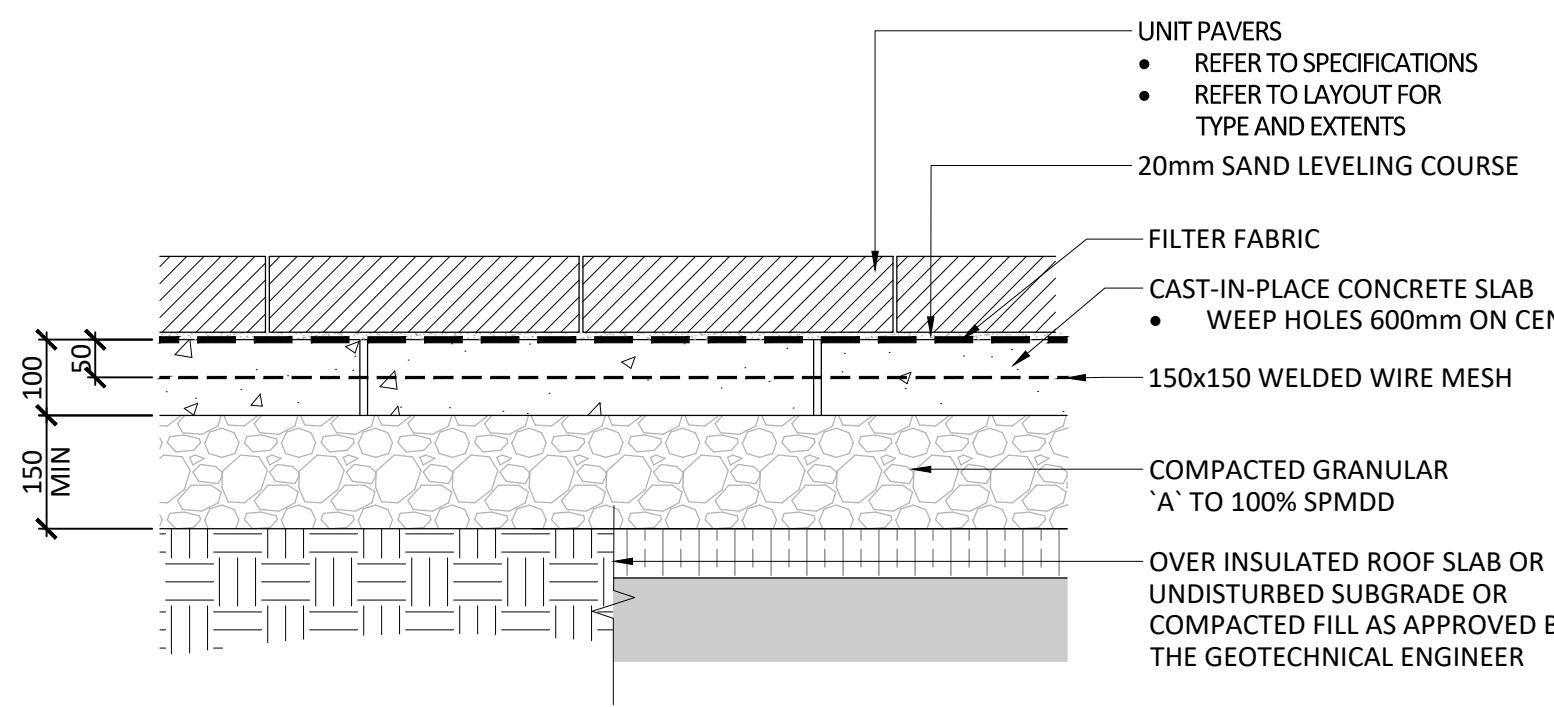
03 CAST IN PLACE CONCRETE PLANTER CURB
Scale 1:10



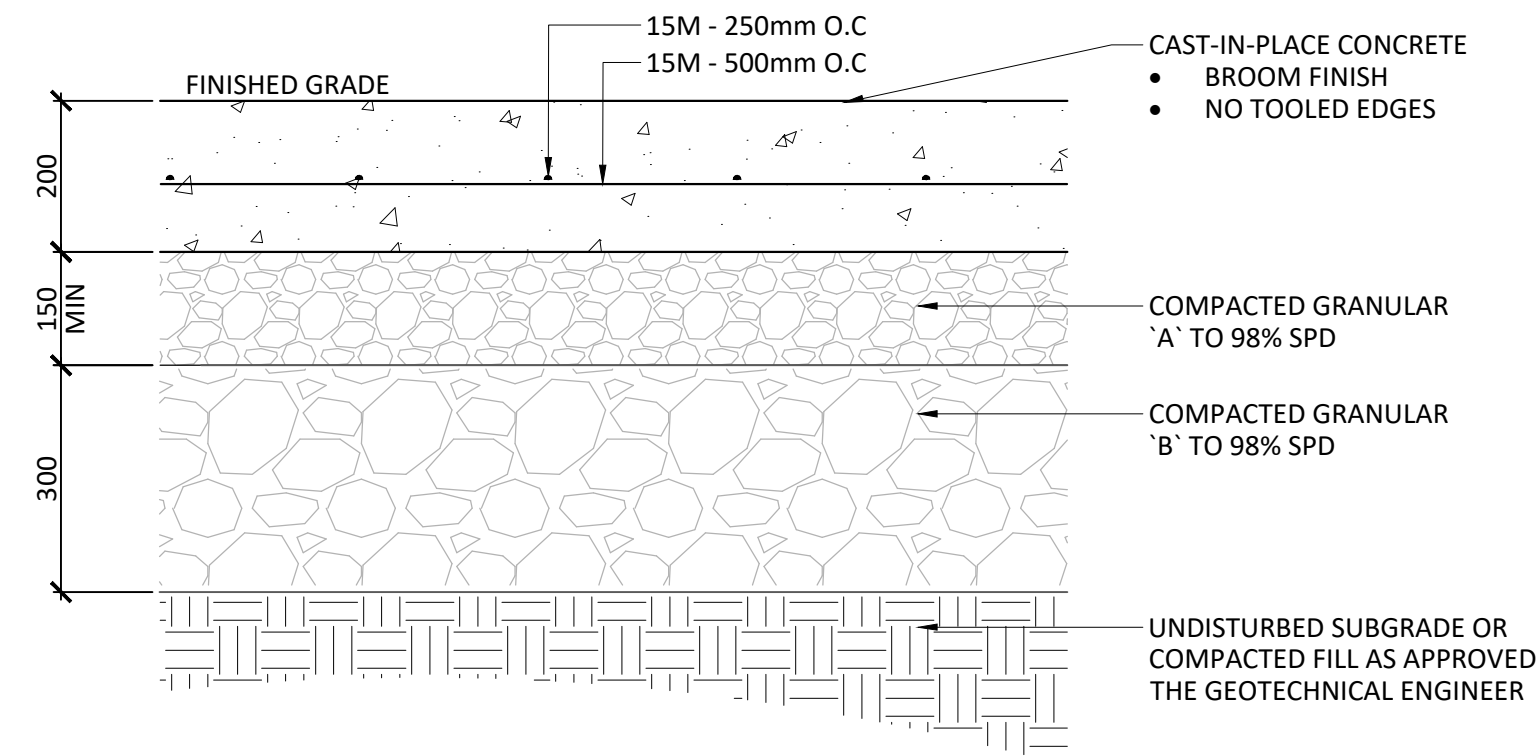
07 METAL GUARD FOR WALL PROTECTION
1:10



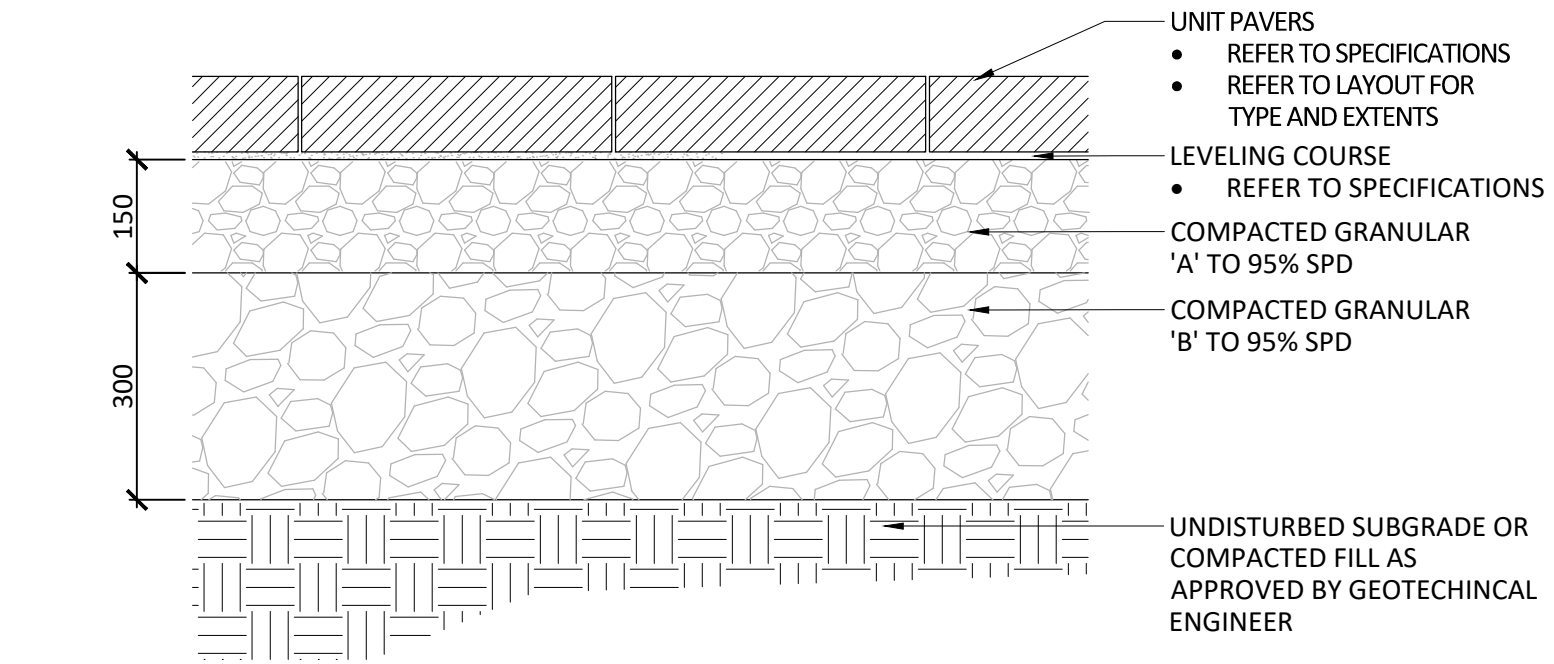
04 CONCRETE JOINTING
Scale 1:10



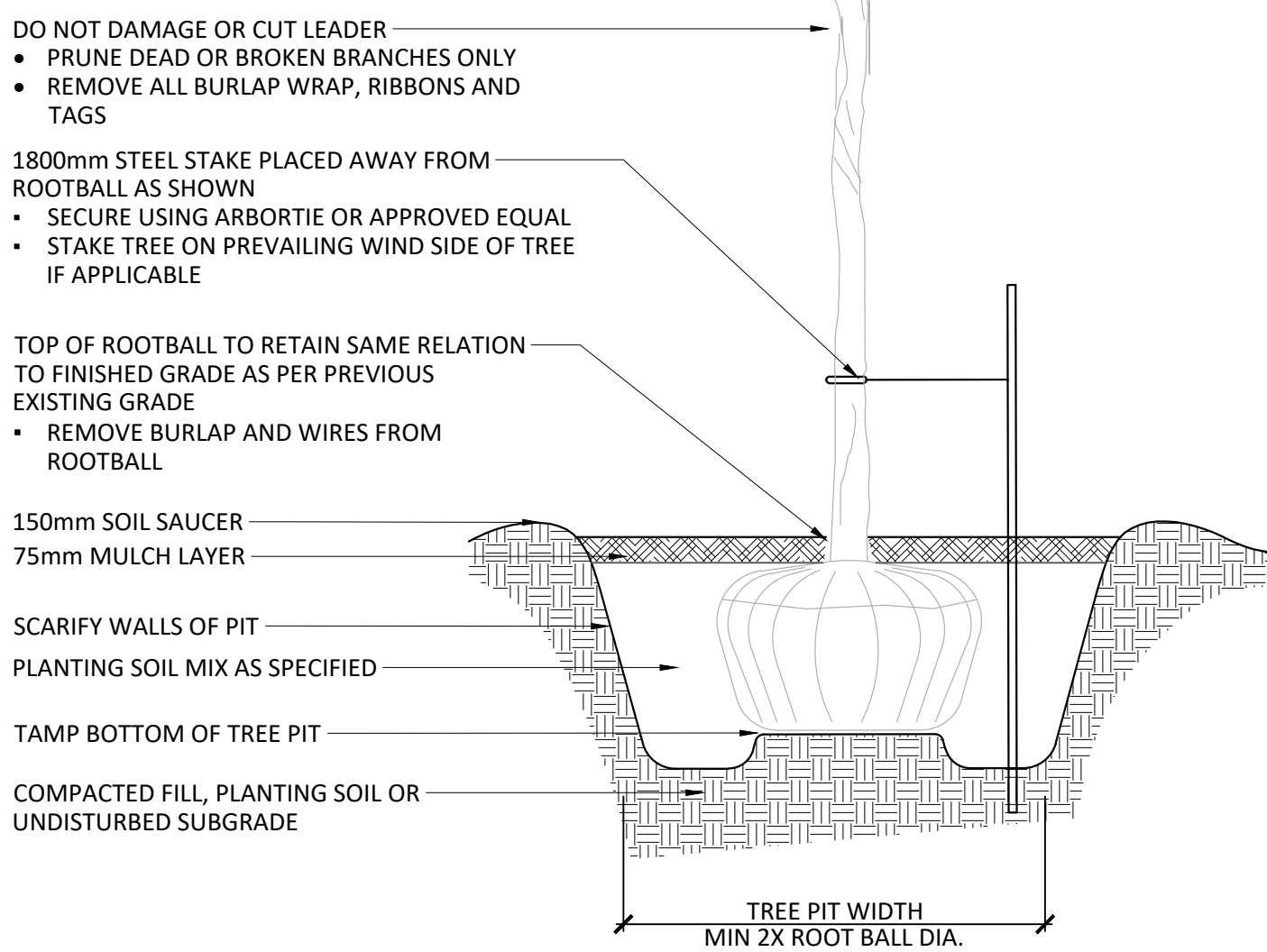
08 UNIT PAVING ON CONCRETE
Scale 1:10



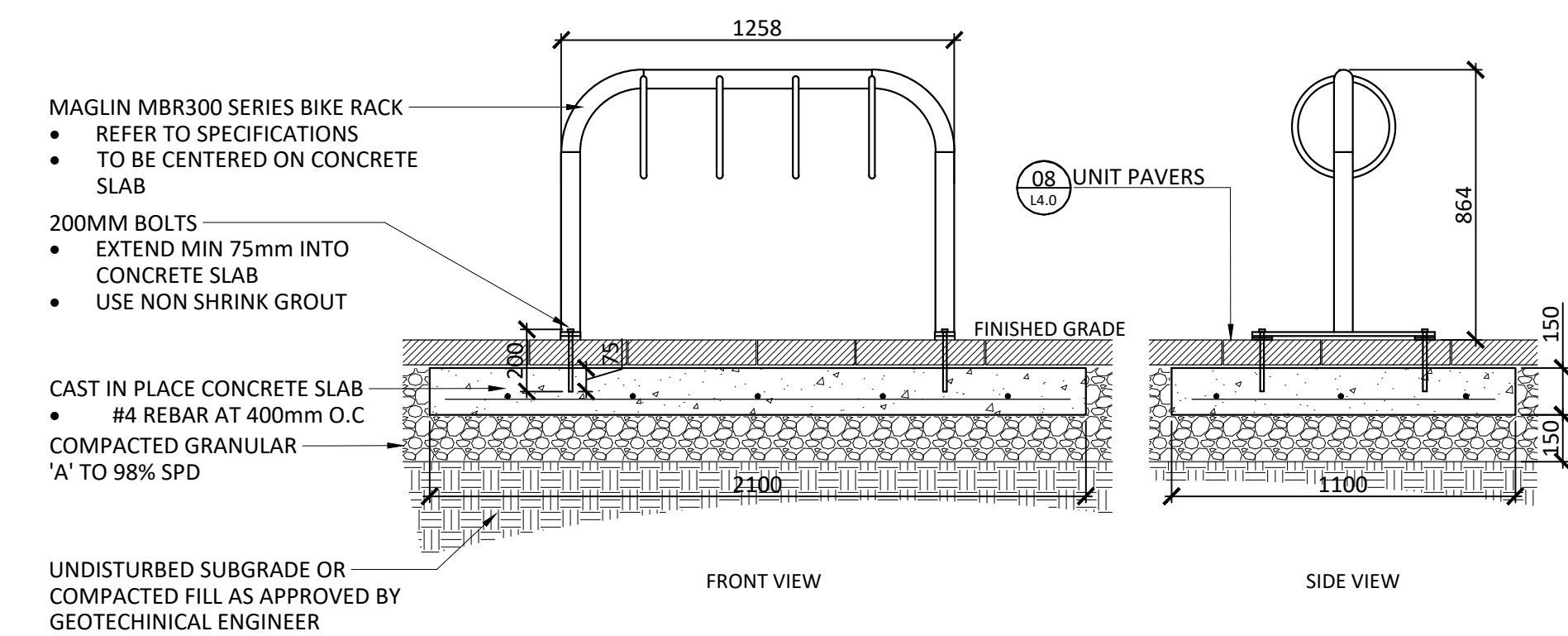
05 VEHICULAR CONCRETE PAVING
Scale 1:10



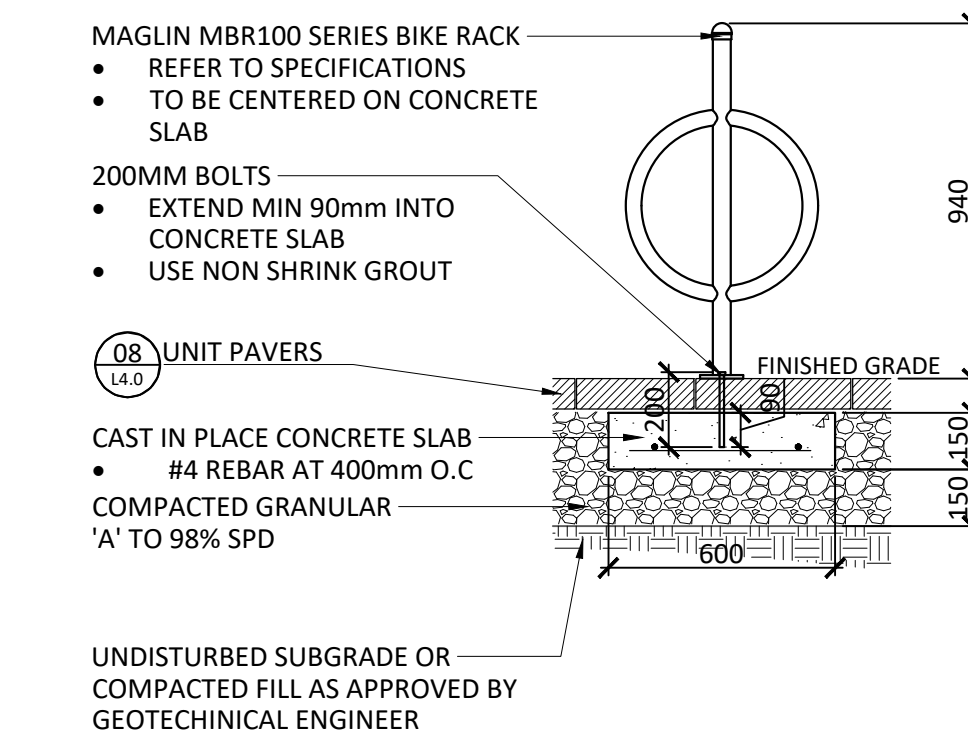
09 VEHICULAR UNIT PAVING
Scale 1:10



02 TREE PLANTING
NOT TO SCALE



06 MULTI-UNIT BIKE RACK
1:20



10 BIKE RACK
1:20



5	RE-ISSUED FOR SPA	08 OCT 2021
4	RE-ISSUED FOR SPA	11 MAY 2021
3	ISSUED FOR COORDINATION	23 APR 2021
2	RE-ISSUED FOR SPA	18 DEC 2020
1	ISSUED FOR SPA	22 MAY 2020
No.	Revision	Date

North: Stamp:

CSW Landscape Architecture
Urban Design
Site Planning
Recreation and Park Planning
Project Management

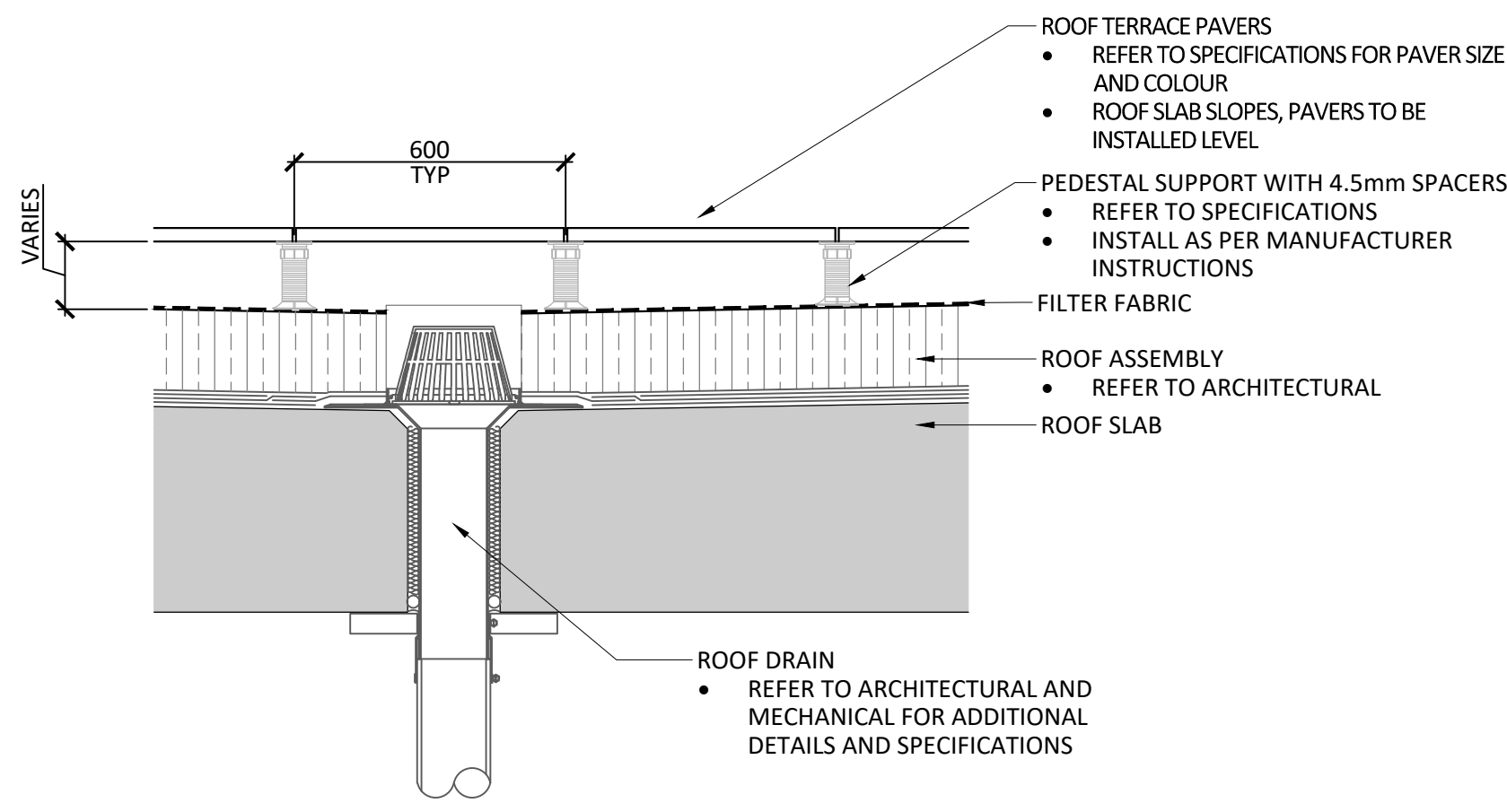
319 McRae Avenue, Suite 502, Ottawa, Ontario, K1Z 0B9
Tel: (613) 729-4536

- GENERAL NOTES:
- All measurements in millimeters unless specified otherwise. Do not scale drawing. All drawings to be read in conjunction with written specifications.
 - Copyright reserved. This drawing is the exclusive property of CSW Landscape Architects Ltd. and shall not be used without the consent thereof.
 - This Drawing may not be used for construction until signed by the landscape architect. It is the responsibility of the contractor to:
 - check and verify all dimensions on site;
 - report all errors and/or omissions to the landscape architect;
 - comply with all pertinent codes and by-laws;
 - check and verify locations of all underground services with all local utilities prior to any digging.

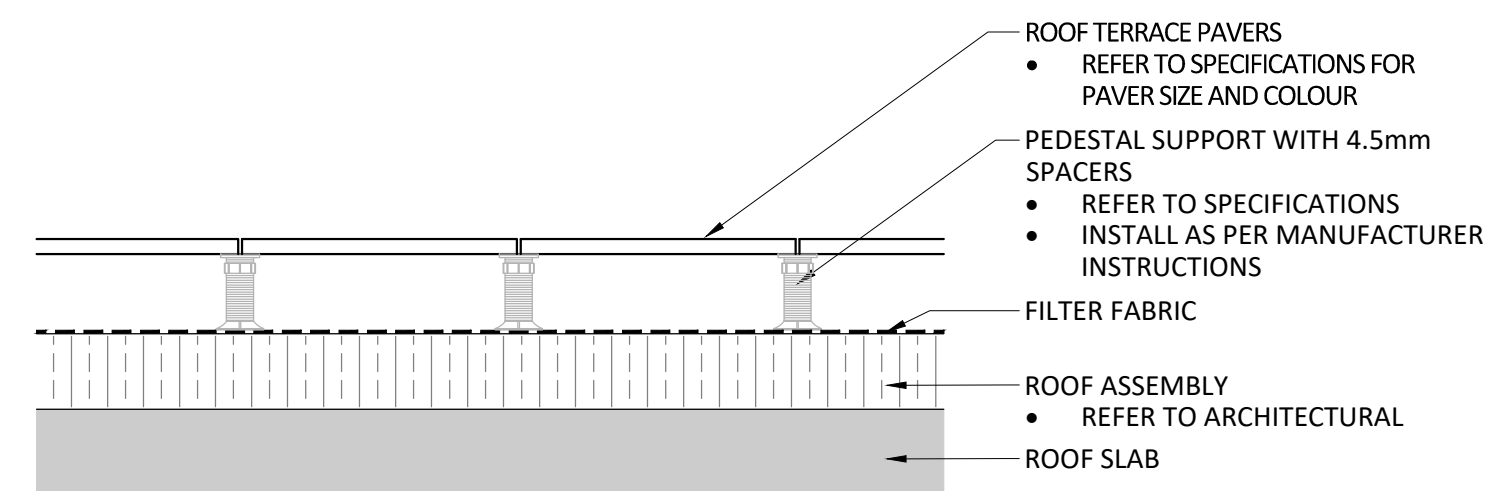
Project:
327 RICHMOND ROAD
RICHMOND CHURCHILL LIMITED PARTNERSHIP
OTTAWA, ONTARIO

Drawing:
DETAILS

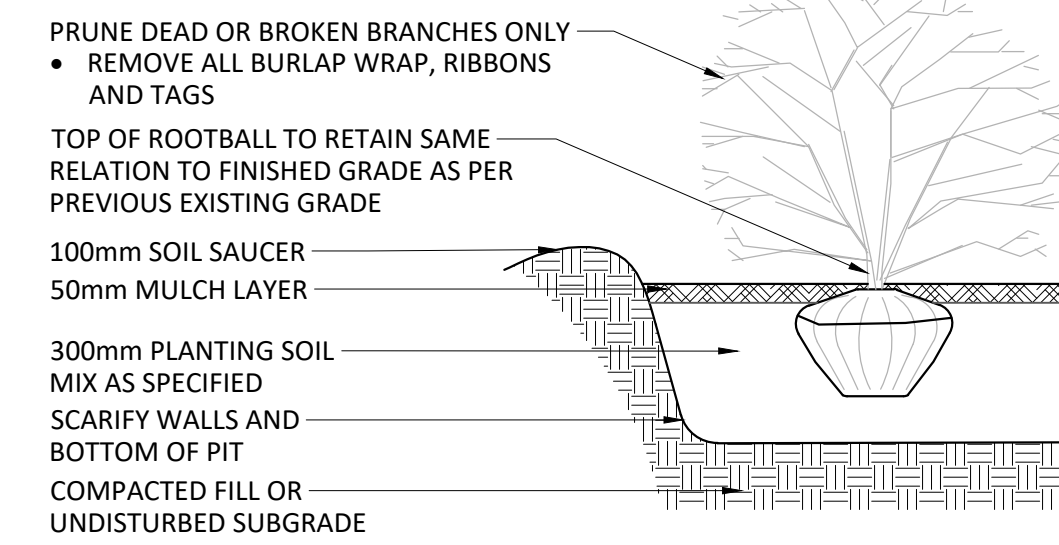
Scale:	Date:
Design By:	MARCH 2020
Project Number:	Drawn By:
1942-12	JM SMc
Sheet Number:	L4.0



01 ROOF DRAIN AT ROOF TERRACE PAVING
Scale 1:10



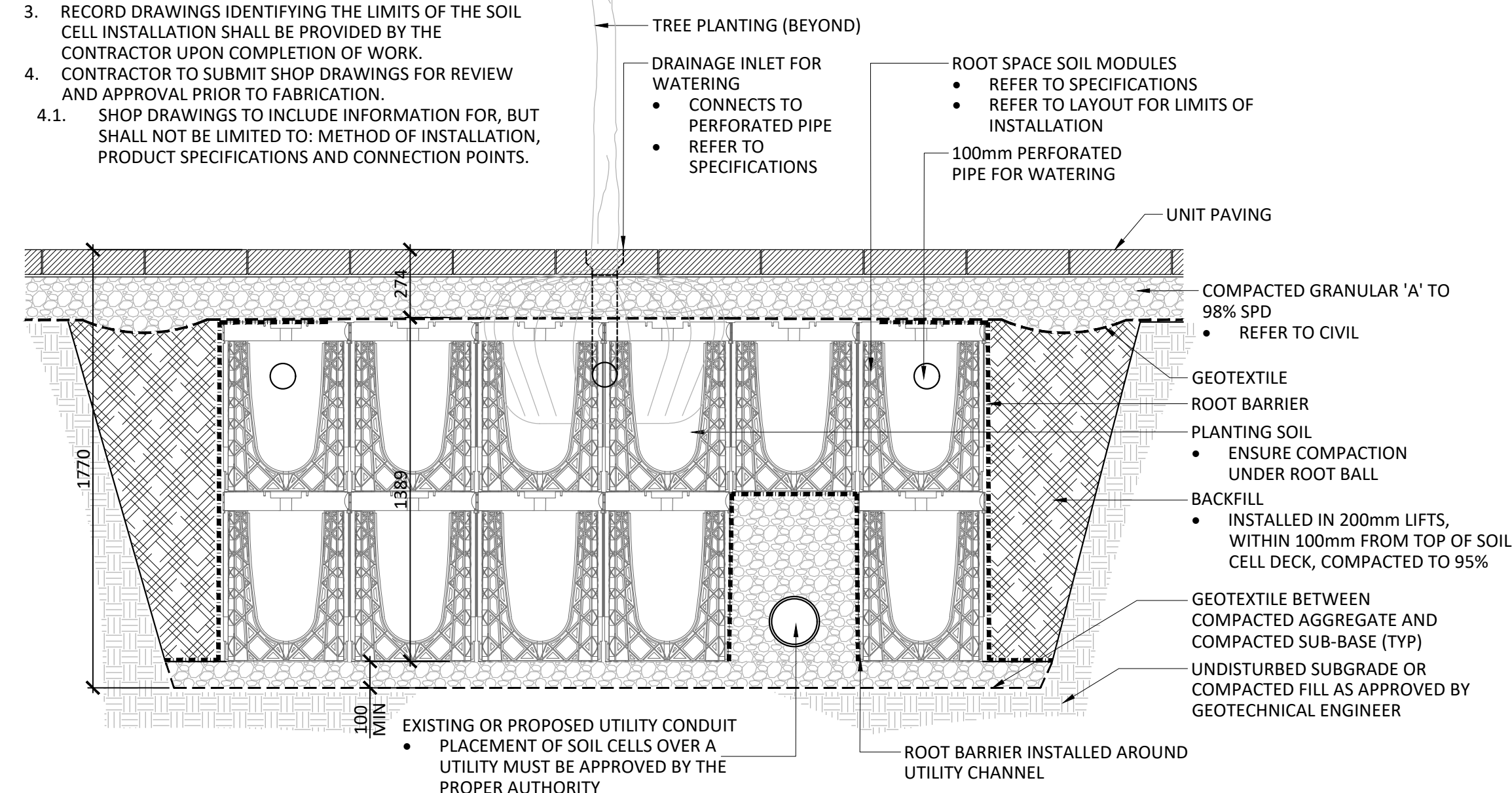
02 ROOF TERRACE PAVING
Scale 1:10



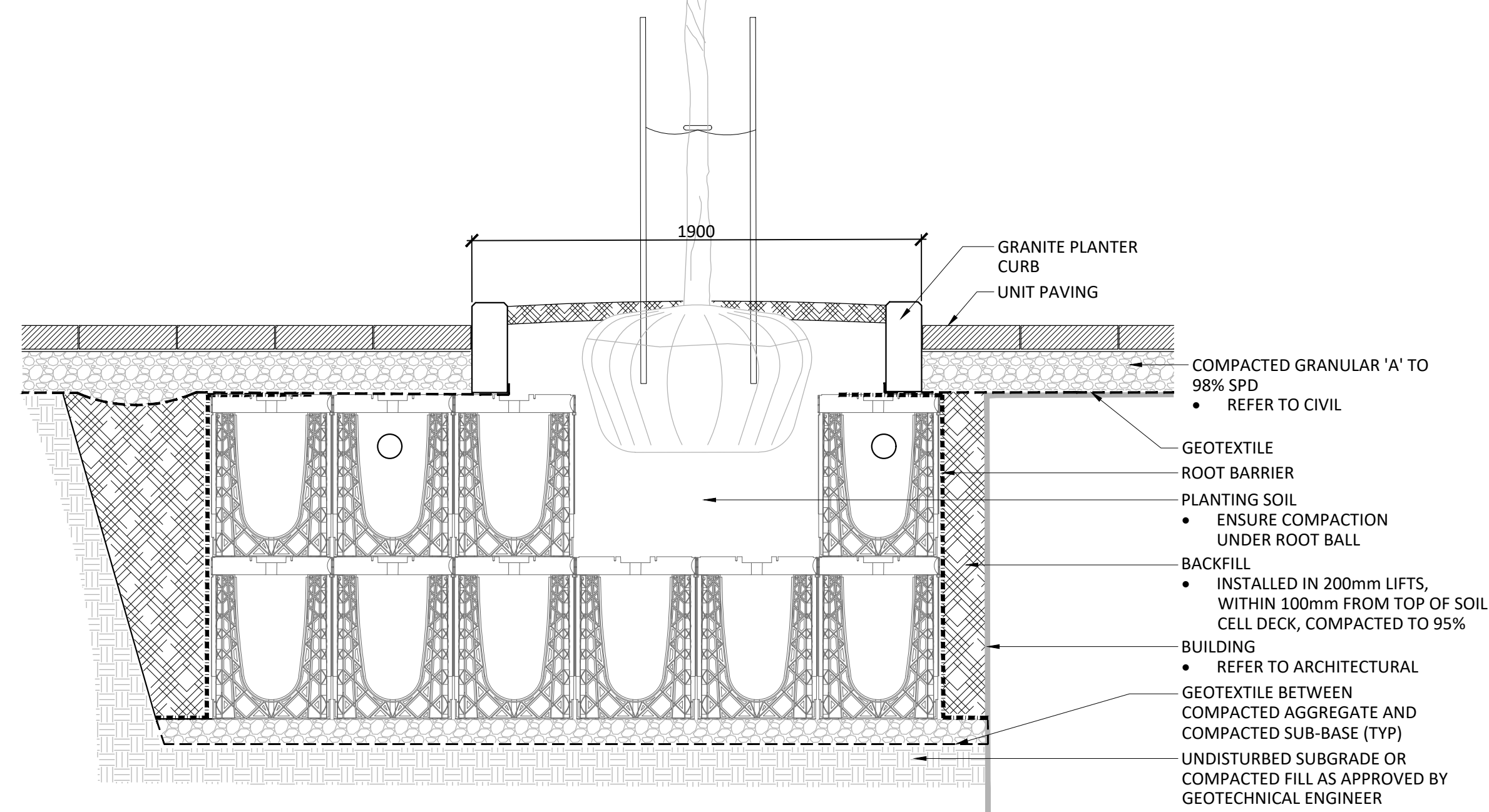
05 SHRUB / PERENNIAL PLANTING
NOT TO SCALE



- NOTES:
1. CONFIRM LAYOUT AND DIMENSIONS ON SITE PRIOR TO INSTALLATION.
 2. CONTRACTOR SHALL LOCATE AND VERIFY THE EXISTENCE OF ALL UTILITIES WITHIN LIMITS OF SOIL CELL INSTALLATION PRIOR TO COMMENCEMENT OF WORK.
 3. RECORD DRAWINGS IDENTIFYING THE LIMITS OF THE SOIL CELL INSTALLATION SHALL BE PROVIDED BY THE CONTRACTOR UPON COMPLETION OF WORK.
 4. CONTRACTOR TO SUBMIT SHOP DRAWINGS FOR REVIEW AND APPROVAL PRIOR TO FABRICATION.
 - 4.1. SHOP DRAWINGS TO INCLUDE INFORMATION FOR, BUT SHALL NOT BE LIMITED TO: METHOD OF INSTALLATION, PRODUCT SPECIFICATIONS AND CONNECTION POINTS.



03 STREET TREE PLANTING IN SOIL CELLS - OVER UTILITY
Scale 1:20



04 STREET TREE PLANTING IN SOIL CELLS - PLANTING BED
Scale 1:20

No.	Revision	Date
5	RE-ISSUED FOR SPA	08 OCT 2021
4	RE-ISSUED FOR SPA	11 MAY 2021
3	ISSUED FOR COORDINATION	23 APR 2021
2	RE-ISSUED FOR SPA	18 DEC 2020
1	ISSUED FOR SPA	22 MAY 2020

North: _____ Stamp: _____

CSW Landscape Architecture
Urban Design
Site Planning
Recreation and Park Planning
Project Management

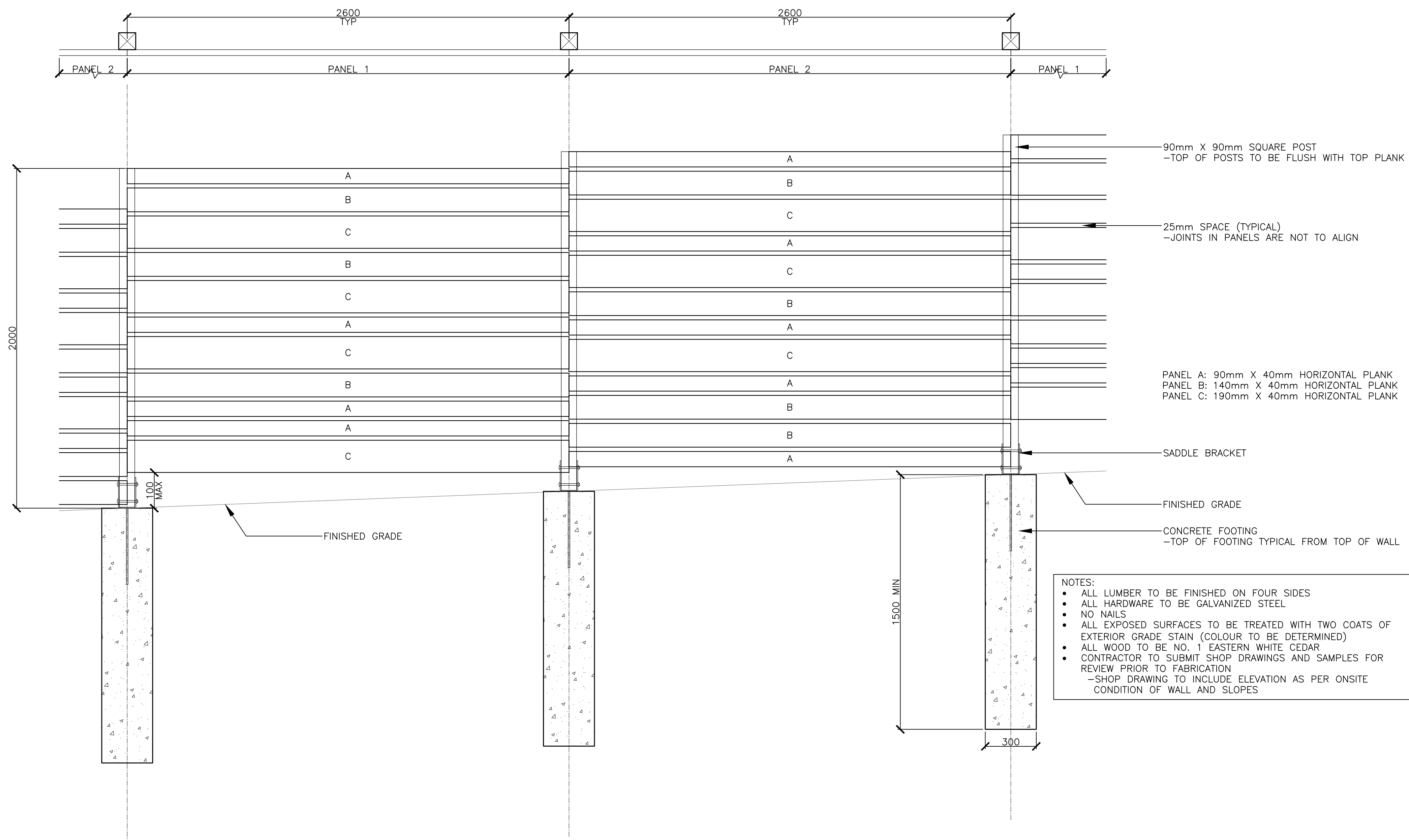
319 McRae Avenue, Suite 502, Ottawa, Ontario, K1Z 0B9
Tel: (613) 729-4536

- GENERAL NOTES:
1. All measurements in millimeters unless specified otherwise. Do not scale drawing. All drawings to be read in conjunction with written specifications.
 2. Copyright reserved. This drawing is the exclusive property of CSW Landscape Architects Ltd. and shall not be used without the consent thereof.
 3. This Drawing may not be used for construction until signed by the landscape architect. It is the responsibility of the contractor to:
 - check and verify all dimensions on site;
 - report all errors and/or omissions to the landscape architect;
 - comply with all pertinent codes and by-laws;
 - check and verify locations of all underground services with all local utilities prior to any digging.

Project:
327 RICHMOND ROAD
RICHMOND CHURCHILL
LIMITED PARTNERSHIP
OTTAWA, ONTARIO

Drawing:
DETAILS

Scale:	Date:
Design By:	MARCH 2020
Project Number:	Drawn By:
1942-12	JM SMc
Sheet Number:	L4.1



No.	Revision	Date
5	RE-ISSUED FOR SPA	08 OCT 2021
4	RE-ISSUED FOR SPA	11 MAY 2021
3	ISSUED FOR COORDINATION	23 APR 2021
2	RE-ISSUED FOR SPA	18 DEC 2020
1	ISSUED FOR SPA	22 MAY 2020

North:

Stamp:

CSW Landscape Architecture
Urban Design
Site Planning
Recreation and Park Planning
Project Management

319 McRae Avenue, Suite 502, Ottawa, Ontario, K1Z 0B9
Tel: (613) 729-4536

- GENERAL NOTES:
1. All measurements in millimeters unless specified otherwise. Do not scale drawing. All drawings to be read in conjunction with written specifications.
 2. Copyright reserved. This drawing is the exclusive property of CSW Landscape Architects Ltd. and shall not be used without the consent thereof.
 3. This Drawing may not be used for construction until signed by the landscape architect. It is the responsibility of the contractor to:
 - check and verify all dimensions on site;
 - report all errors and/or omissions to the landscape architect;
 - comply with all pertinent codes and by-laws;
 - check and verify locations of all underground services with all local utilities prior to any digging.

Project:
327 RICHMOND ROAD
RICHMOND CHURCHILL LIMITED PARTNERSHIP
OTTAWA, ONTARIO

Drawing:
DETAILS

Scale:	Date: MARCH 2020
Design By: JM	Drawn By: SMc
Project Number: 1942-12	Sheet Number: L4.2

01 WOOD PRIVACY FENCE
1:15