

- GENERAL NOTES:**
- All dimensions are in metres; all elevations are in metres and are geodetic. TBM = top of spring of existing fire hydrant on Trailledge Way, Elevation = 85.68. Geodetic datum reference: CSD-1928/1978.
 - This is not a legal survey. Boundary and topographic information were derived from FARLEY, SMITH & DENIS SURVEYING LTD File No. 253-17.
 - Contractor is responsible for location and protection of utilities.
 - All dimensions to be verified on site by contractor prior to construction.
 - Any changes made to this plan must be verified and approved by Kollaard Associates Inc.
 - Client is responsible for acquiring all necessary permits. This drawing is not for construction until a building permit has been granted.
 - The proposed grades have been set and verified for site grading control only. The grade rises at the building location should be verified with regard to subsurface conditions by qualified geotechnical personnel after completion of the excavation.
 - The underside of footing elevation has been set based on the information available and may not have accounted for actual ground water conditions at the exact house location and should be verified by qualified geotechnical personnel upon completion of the excavation.
 - A geotechnical engineer should be retained to provide recommendations with respect to the sub-grade conditions prior to footing installation.
 - The owner agrees to prepare and implement an erosion and sediment control plan to the satisfaction of the City of Ottawa, appropriate to the site conditions, prior to undertaking any site alterations (filling, grading, removal of vegetation, etc.) and during all phases of site preparation and construction in accordance with the current Best Management Practices for Erosion and Sediment Control such as, and not limited to installing filter cloths across manholes/catchbasin lids to prevent sediments from entering structures and install and maintain a light duty silt fence barrier as required.
 - All materials and construction to be in accordance with City of Ottawa standards and Ontario Provincial Standards and Specifications: sewer and watermain material types, disinfection, provide minimum 2.4 metres of cover for water services, cathodic protection, City of Ottawa insulation specifications for watermain, pipe bedding, reinstatement of disturbed areas and leakage testing.
 - Reference to Kollaard File No. 190867 for Servicing and Stormwater Management Design and Geotechnical Reports.

No.	REVISION	DATE	BY
5	REVISIONS PER 3rd REVIEW COMMENTS	AUG. 15/2022	ML
4	REVISIONS PER NEW SITE PLAN AND REVIEW COMMENTS	APR. 13/2022	ML
3	ISSUED FOR SPC RE-SUBMISSION	APR. 22/2021	ML
2	REVISIONS PER SITE PLAN AND 1ST REVIEW COMMENTS	MAR. 29/2020	ML
1	ISSUED FOR SPC APPLICATION	JUNE 30/2020	ML
#	REVISION ITEM / DESCRIPTION	REV. DATE	INT.

Kollaard Associates Engineers
 (613) 860-0923
 info@kollaard.ca
 P.O. BOX 189, 210 PRESCOTT ST.
 KEMPTVILLE, ONTARIO
 K0G 1J0 FAX (613) 258-0475
 http://www.kollaard.ca

CLIENT:
 TEAK DEVELOPMENTS
 31 WOODVIEW CRESCENT
 OTTAWA, ON K1B 3B1

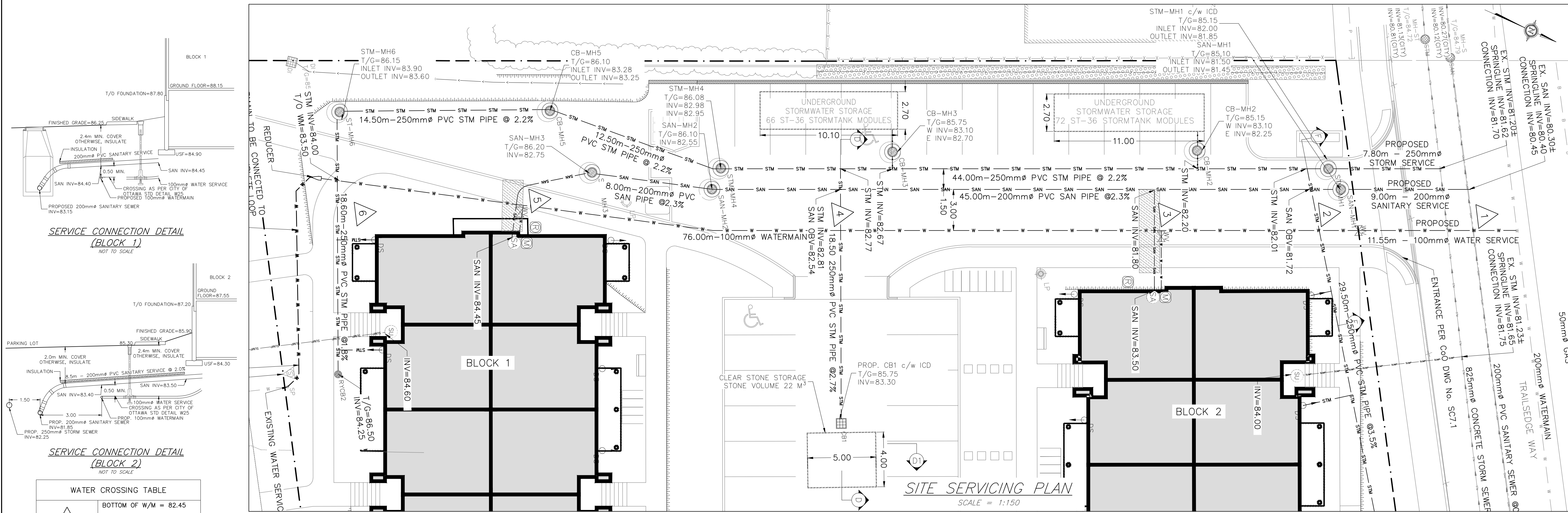
PROJECT:
 PROPOSED RESIDENTIAL DEVELOPMENT

LOCATION:
 6173 RENAUD ROAD
 CITY OF OTTAWA, ON
 K1W 0K9

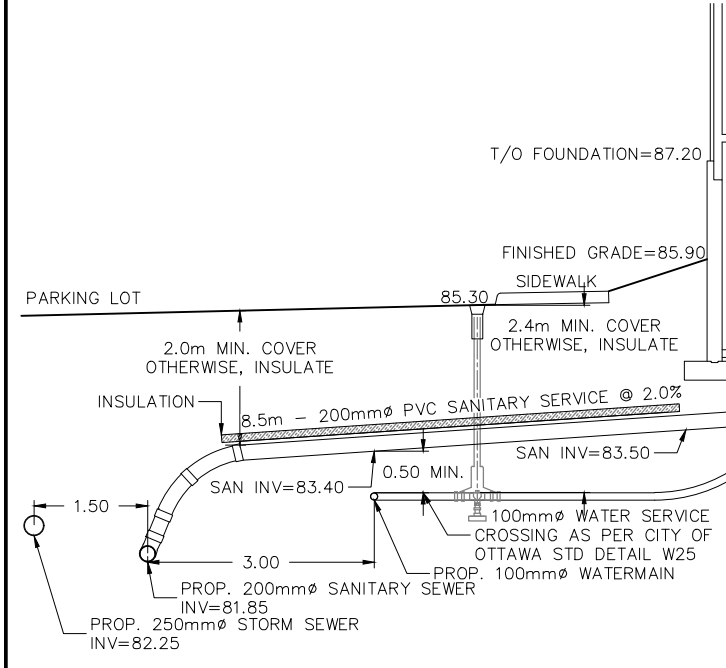
DESIGNED BY: SD	CHECKED BY: SD
DRAWN BY: ML	APPROVED BY: SD
DATE: NOV. 11, 2019	KOLLAARD FILE NUMBER: 190867

DRAWING NUMBER: 190867-DET
DRAWING NAME: DETAILS

#18196



SERVICE CONNECTION DETAIL (BLOCK 1)
 NOT TO SCALE



SERVICE CONNECTION DETAIL (BLOCK 2)
 NOT TO SCALE

WATER CROSSING TABLE

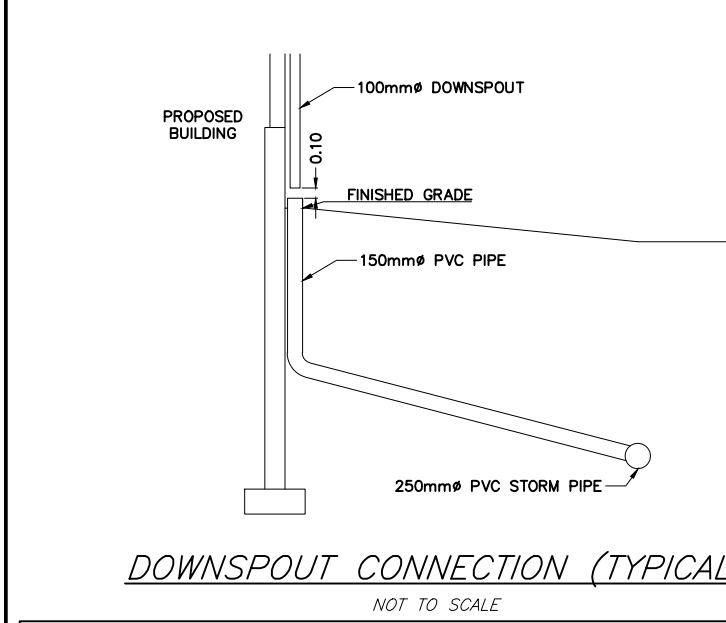
NO.	DESCRIPTION	START ELEV. (m)	END ELEV. (m)
1	BOTTOM OF W/M = 82.45 STM OBV = 82.05± SAN OBV = 80.55±	82.45	80.55
2	BOTTOM OF W/M = 82.70 STM OBV = 82.44	82.70	82.44
3	SAN INV = 83.40 TOP OF W/M = 82.90	83.40	82.90
4	BOTTOM OF W/M = 83.40 STM OBV = 83.14	83.40	83.14
5	SAN INV = 84.40 TOP OF W/M = 83.85	84.40	83.85
6	STM INV = 84.00 TOP OF W/M = 83.50	84.00	83.50

NOTES:

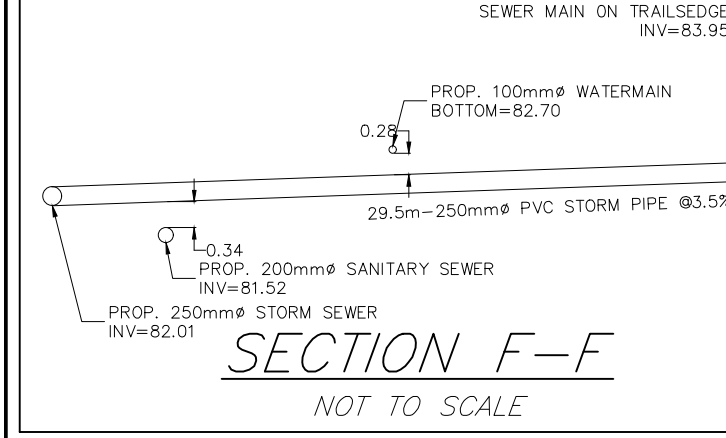
- REFER TO CITY OF OTTAWA STANDARD DWG. NO. W25 FOR INSTANCES WHERE WATERMAIN CROSSING IS BELOW SEWER.
- PROVIDE INSULATION WHERE SEPARATION DISTANCES ARE LESS THAN 1m.

WATER TABLE [6173 RENAUD ROAD - SERVICE CONNECTION ON TRAILSLEDGE WAY]

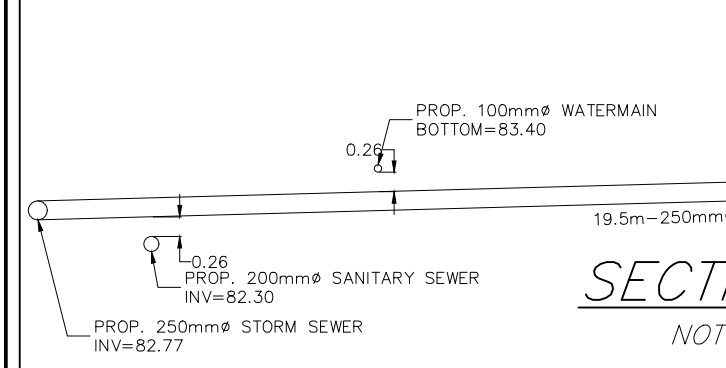
LOCATION	DISTANCE (m)	GRADE ELEV. (m)	TOP OF WATER SERVICE ELEV. (m)
CONNECTION @ TRAILSLEDGE WAY	0.00	85.00	82.60
PROPERTY LINE	11.50	85.10	82.70
BLOCK 2	24.50	85.30	82.80
BLOCK 1	72.00	86.25	83.85
PROPERTY LINE @ RENAUD ROAD	100.50	86.25	83.85



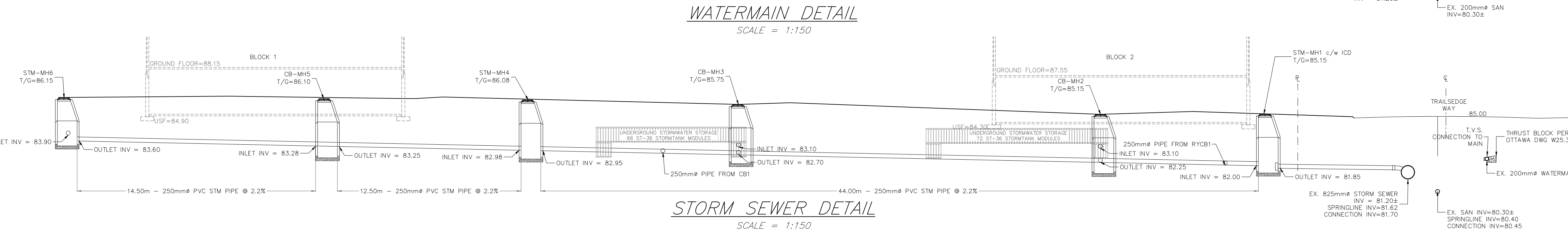
DOWNSPOUT CONNECTION (TYPICAL)
 NOT TO SCALE



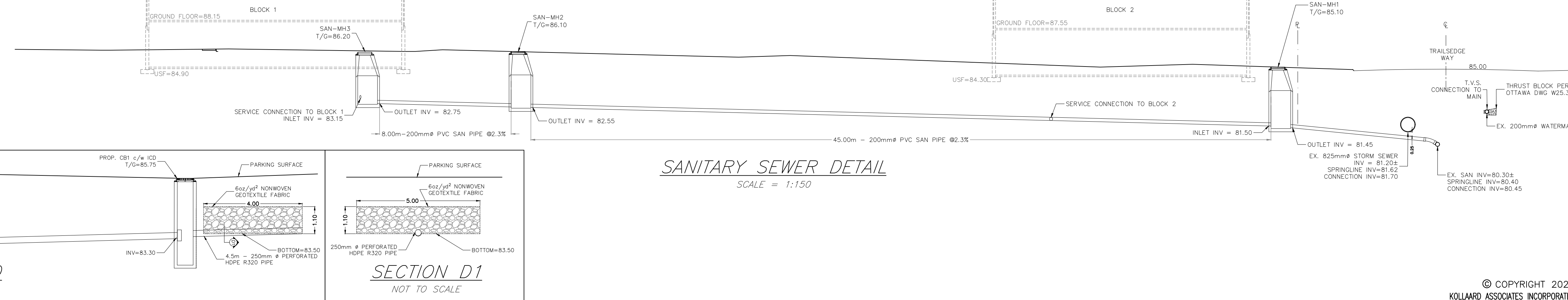
SECTION F-F
 NOT TO SCALE



SECTION D-D
 NOT TO SCALE



STORM SEWER DETAIL
 SCALE = 1:150



SANITARY SEWER DETAIL
 SCALE = 1:150

SECTION D-D
 NOT TO SCALE

SECTION D1
 NOT TO SCALE

D07-12-20-0094