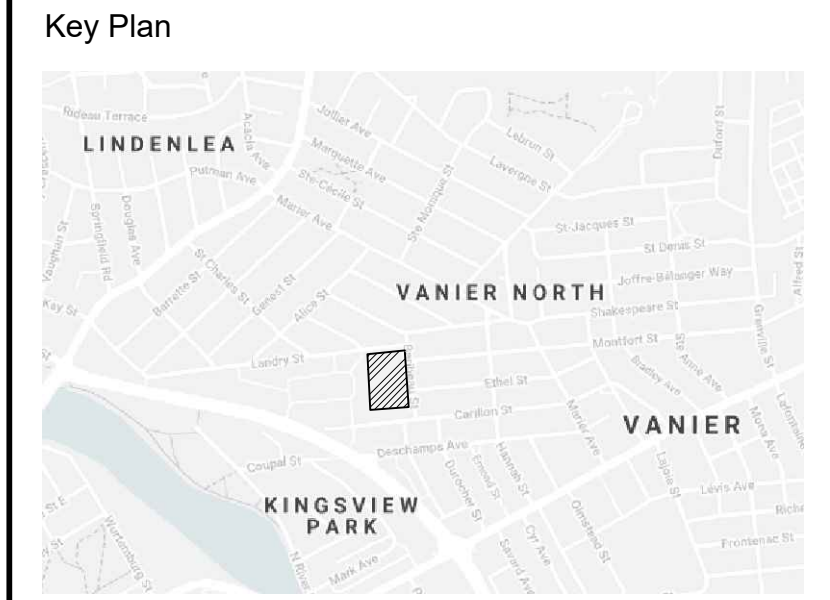


1 LANDSCAPE LAYOUT

| PLANT LIST | | | | | |
|-------------------------------|---|------------------------|------|-------------|----------------------------|
| SYM. | BOTANICAL NAME | COMMON NAME | QTY. | SIZE | REMARKS |
| LARGE DECIDUOUS TREES | | | | | |
| AF | ACER FREEMANII 'CELZAM' | CELEBRATION MAPLE | 13 | 70mm CAL. | B&B / W.B. |
| PT* | POPULUS TREMULOIDES | TREMBLING ASPEN | 21 | 40mm CAL. | BAREROOT |
| QR1 | QUERCUS RUBRA | RED OAK | 7 | 70mm CAL. | B&B / W.B. PLANT IN SPRING |
| QR2* | QUERCUS RUBRA | RED OAK | 20 | 40mm CAL. | BAREROOT |
| TA* | TILIA AMERICANA | AMERICAN LINDEN | 20 | 40mm CAL. | BAREROOT |
| SMALL DECIDUOUS TREES | | | | | |
| AP | ACER PLATANOIDES 'COLUMARE' | COLUMNAR NORWAY MAPLE | 12 | 1800mm HT. | B&B / W.B. |
| QR | QUERCUS ROBUR 'FASTIGIATA' | COLUMNAR ENGLISH OAK | 14 | 1800mm HT. | B&B / W.B. |
| RA* | RHUS AROMATICA 'GRO LOW' | LOW GRO FRAGRANT SUMAC | -- | 600mm HT. | WHIP/BAREROOT, 1.2m O.C. |
| CONIFEROUS TREES | | | | | |
| JS | JUNIPERUS SCOPULORUM 'SKYROCKET' | SKYROCKET JUNIPER | 8 | 1800mm HT. | B&B / W.B. |
| TO* | THUJA OCCIDENTALIS | EASTERN WHITE CEDAR | 21 | 40mm CAL. | BAREROOT |
| SHRUBS | | | | | |
| JH | JUNIPERUS HORIZONTALIS 'PLUMOSA COMPACTA' | COMPACT ANDORA JUNIPER | -- | 600mm SPR. | POT. 750mm O.C. |
| SB | SPIREA X BUMALDA 'GOLDFLAME' | GOLDFLAME SPIREA | -- | 500mm HT. | POT. 600mm O.C. |
| SS | SORBARIA SORBIFOLIA | FALSE SPIREA | -- | 500mm HT. | POT. 900mm O.C. |
| RA | RHUS AROMATICA 'GRO-LOW' | GRO-LOW FRAGRANT SUMAC | -- | 1 GAL. POT. | POT. 600mm O.C. |
| PERENNIALS AND GRASSES | | | | | |
| HS | HEMEROCALLIS 'STELLA D'ORO' | STELL D'ORO DAYLILY | -- | 1 GAL. POT. | POT. 400mm O.C. |
| MS | MISCANTHUS SIN. 'GRACILLIMUS' | MAIDEN GRASS | -- | 1 GAL. POT. | POT. 600mm O.C. |
| PV | PANICUM VIRGATUM | SWITCH GRASS | -- | 1 GAL. POT. | POT. 600mm O.C. |

* TREES/SHRUBS FOR REAR-YARD SCREENING



| LEGEND | |
|--------|--------------------------------|
| | PROPOSED LARGE DECIDUOUS TREES |
| | PROPOSED PERENNIAL GRASS |
| | PROPOSED SMALL DECIDUOUS TREES |
| | PROPOSED CONIFEROUS TREES |
| | *40mm CAL. TREES |
| | SHRUB / PERENNIAL PLANTING |
| | TURF GRASS |
| | RESTORATIVE GRASSES |
| | MAINTENANCE EDGE |
| | RIVERSTONE |

| No. | Revision | Date | No. | Revision | Date |
|-----|-------------------------|--------------|-----|-------------------------|--------------|
| 11 | RE-ISSUED FOR SPA | 26 JUL 2022 | 11 | RE-ISSUED FOR SPA | 26 JUL 2022 |
| 10 | RE-ISSUED FOR SPA | 22 JUL 2022 | 10 | RE-ISSUED FOR SPA | 22 JUL 2022 |
| 9 | RE-ISSUED FOR SPA | 22 DEC 2021 | 9 | RE-ISSUED FOR SPA | 22 DEC 2021 |
| 8 | RE-ISSUED FOR SPA | 26 OCT 2021 | 8 | RE-ISSUED FOR SPA | 26 OCT 2021 |
| 7 | RE-ISSUED FOR SPA | 09 JUN 2021 | 7 | RE-ISSUED FOR SPA | 09 JUN 2021 |
| 6 | RE-ISSUED FOR SPA | 09 AUG 2021 | 6 | RE-ISSUED FOR SPA | 09 AUG 2021 |
| 5 | RE-ISSUED FOR SPA | 12 FEB 2021 | 5 | RE-ISSUED FOR SPA | 12 FEB 2021 |
| 4 | RE-ISSUED FOR SPA | 03 SEPT 2020 | 4 | RE-ISSUED FOR SPA | 03 SEPT 2020 |
| 3 | RE-ISSUED FOR SPA | 10 AUG 2020 | 3 | RE-ISSUED FOR SPA | 10 AUG 2020 |
| 2 | ISSUED FOR SPA | 17 JULY 2020 | 2 | ISSUED FOR SPA | 17 JULY 2020 |
| 1 | ISSUED FOR COORDINATION | 10 JULY 2020 | 1 | ISSUED FOR COORDINATION | 10 JULY 2020 |

North:

Stamp:

CSW Landscape Architecture
 Urban Design
 Site Planning
 Recreation and Park Planning
 Project Management

319 McRae Avenue, Suite 502, Ottawa, Ontario, K1Z 0B9
 Tel: (613) 729-4536

- All measurements in millimeters unless specified otherwise. Do not scale drawing. All drawings to be read in conjunction with written specifications.
- Copyright reserved. This drawing is the exclusive property of CSW Landscape Architects Ltd. and shall not be used without the consent thereof.
- This Drawing may not be used for construction until signed by the landscape architect. It is the responsibility of the contractor to:
 - check and verify all dimensions on site;
 - report all errors and/or omissions to the landscape architect;
 - comply with all pertinent codes and by-laws;
 - check and verify locations of all underground services with all local utilities prior to any digging.

Project:
**200 BARIBEAU STREET
 RESIDENTIAL DEVELOPMENT**

200 BARIBEAU STREET
 OTTAWA, ONTARIO

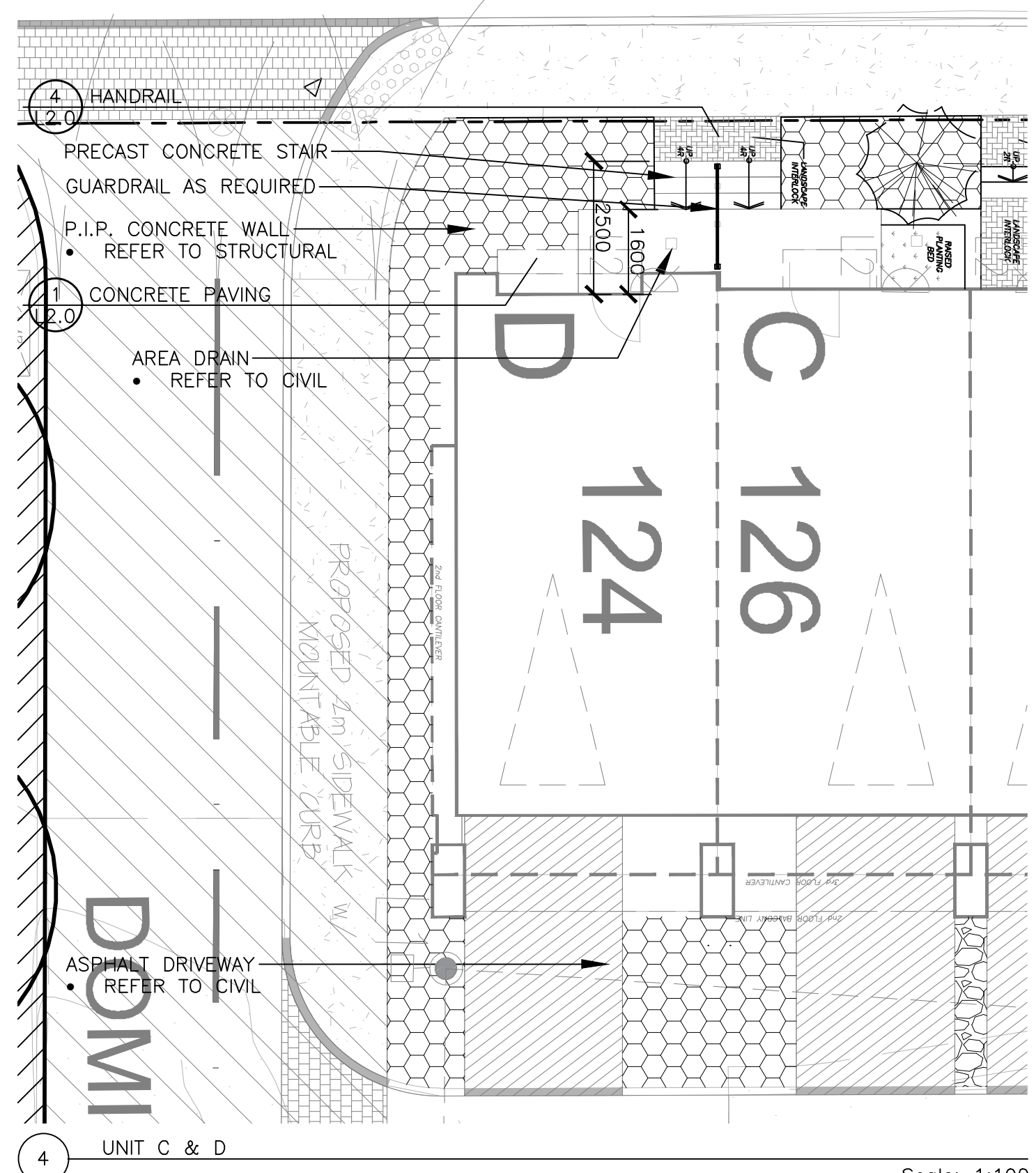
Drawing:
LANDSCAPE LAYOUT

| | | | |
|-----------------|---------|---------------|--------------|
| Scale: | 1:300 | Date: | JULY 06 2020 |
| Design By: | SMc | Drawn By: | SMc |
| Project Number: | 2053-01 | Sheet Number: | L 1.0 |

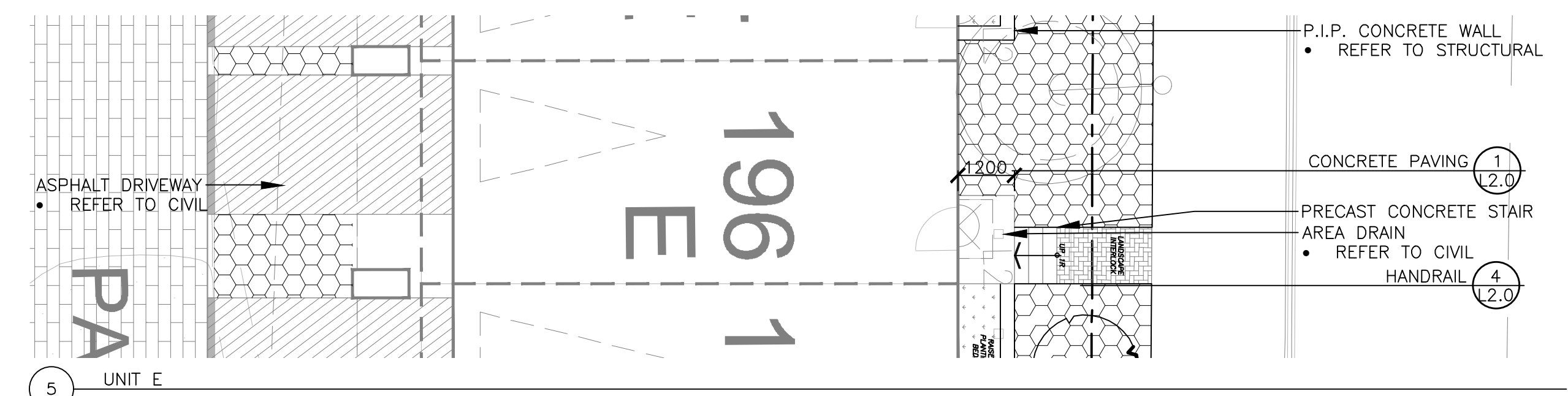


Last Saved: 2020-11-09 13:33:27 PM
 File Location: Z:\Projects\2053-01_200 Baribeau Street\Drawings\SPA\SPA-15_Landscape.dwg

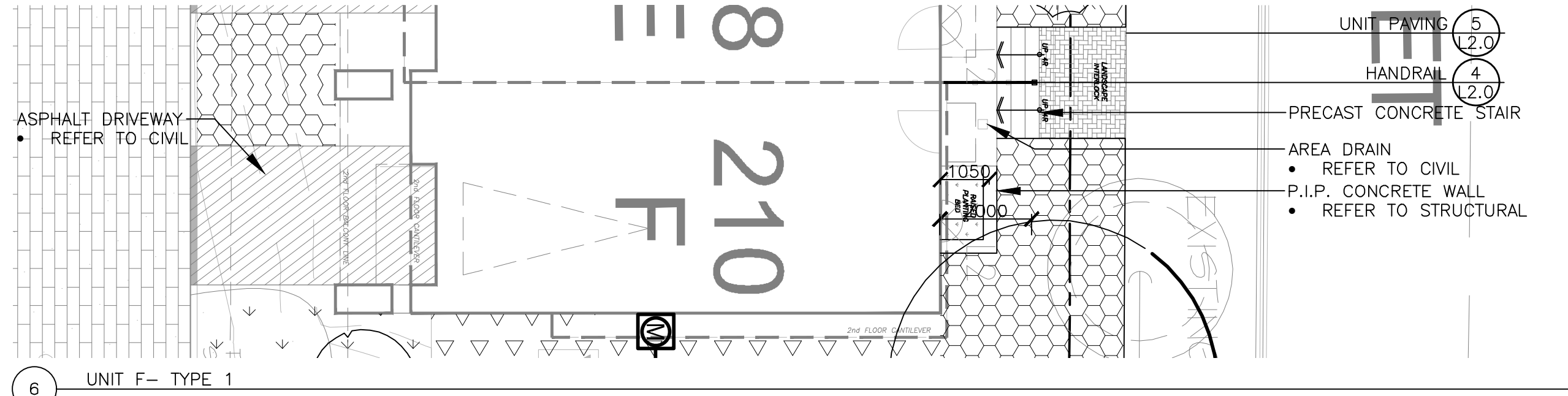
Last Saved: 2022-11-09 12:32:27 PM
 File Location: Z:\Projects\2053-01_200 Baribeau Street\Drawings\SPA\SPA_15(Landscape)1.dwg



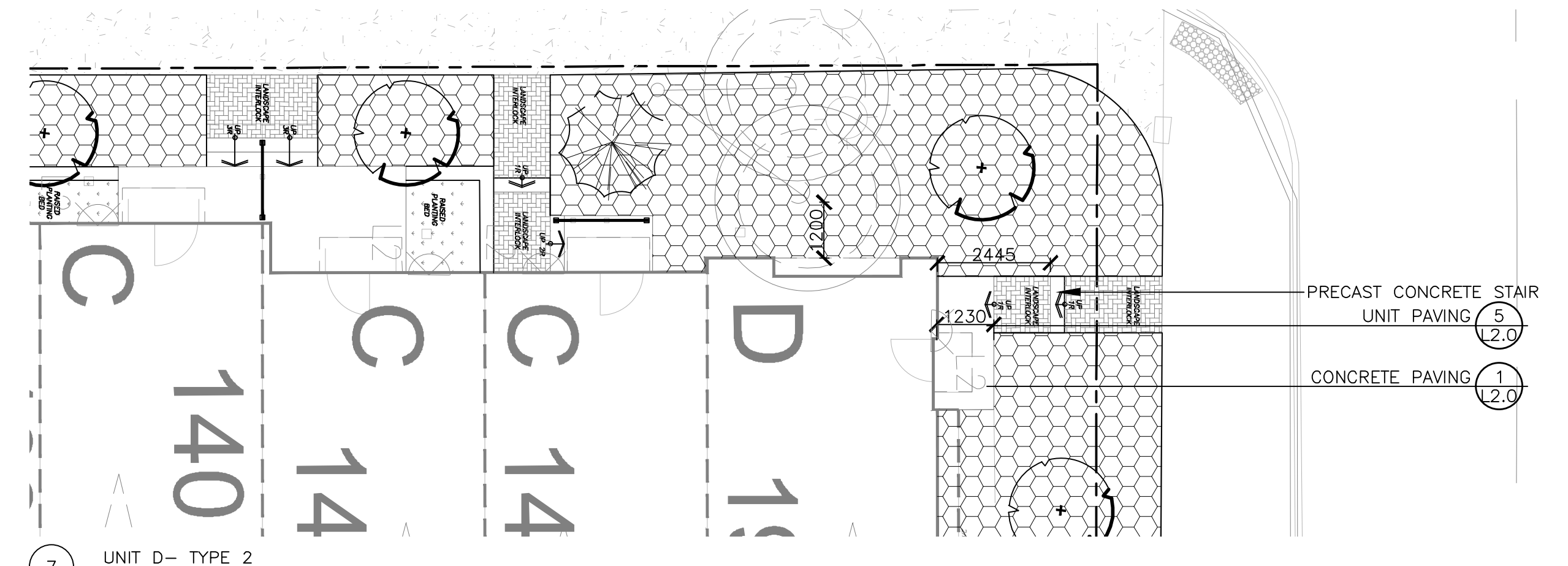
Scale: 1:100



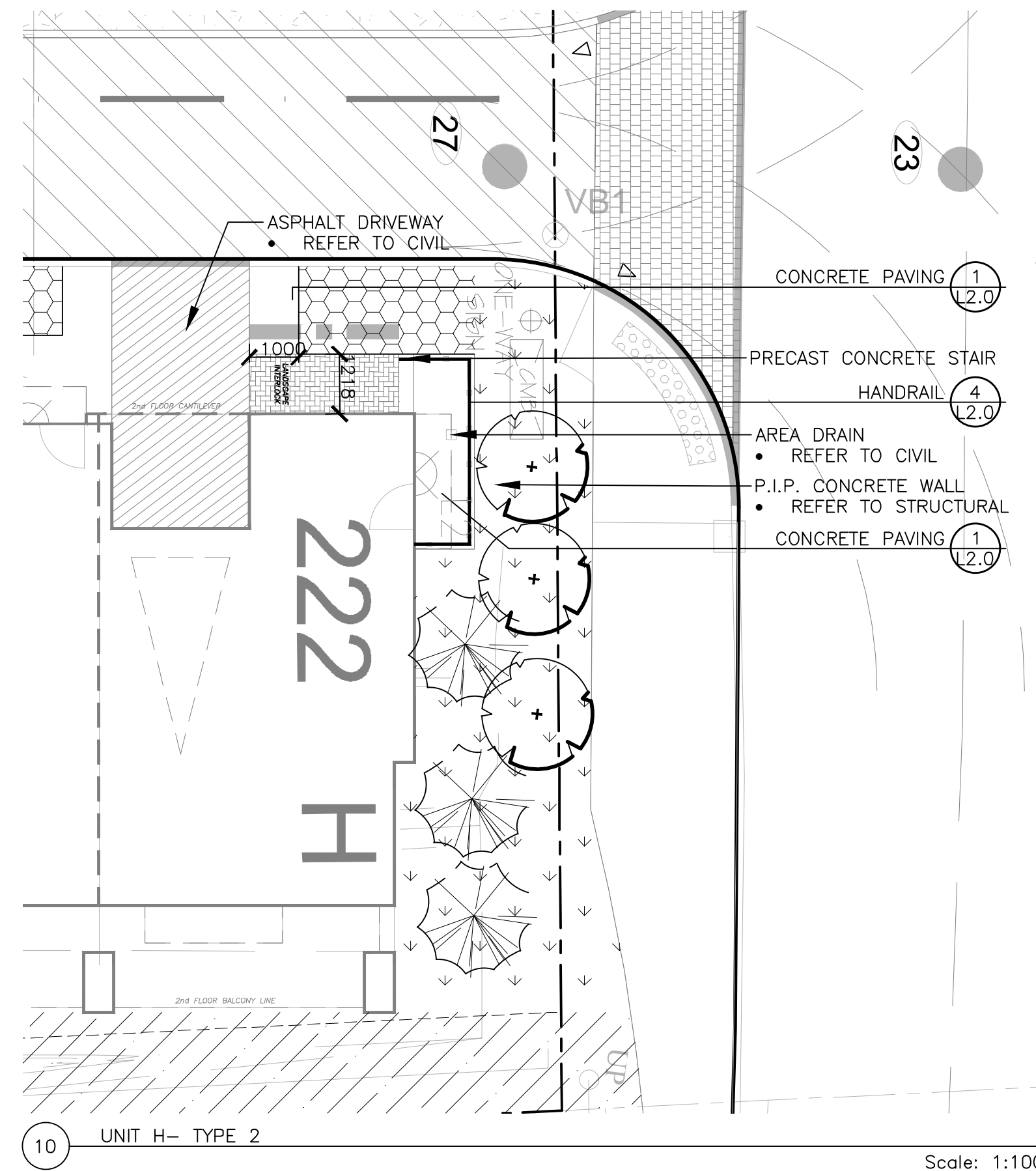
Scale: 1:100



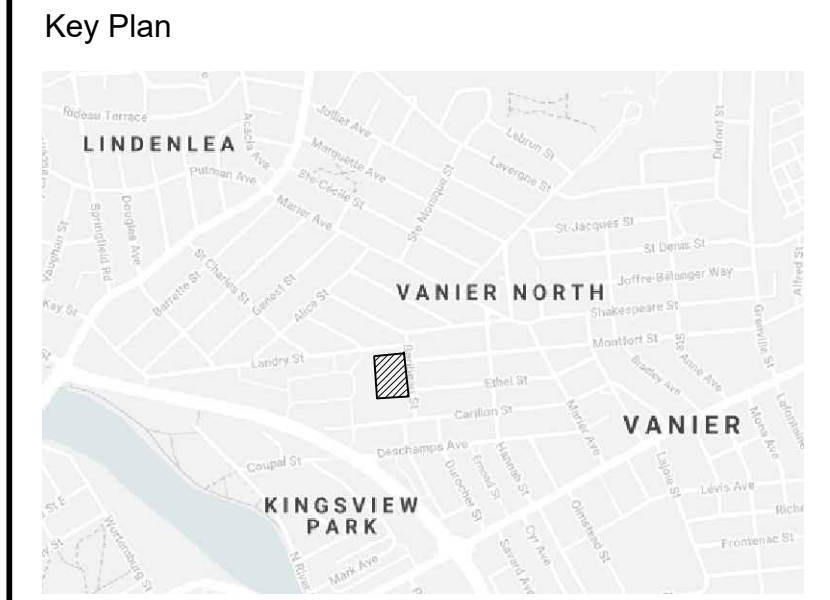
Scale: 1:100



Scale: 1:100



Scale: 1:100



LEGEND

- PROPOSED LARGE DECIDUOUS TREES
- PROPOSED PERENNIAL GRASS
- PROPOSED SMALL DECIDUOUS TREES
- PROPOSED CONIFEROUS TREES
- *40mm CAL. TREES
- SHRUB / PERENNIAL PLANTING
- TURF GRASS
- RESTORATIVE GRASSES
- MAINTENANCE EDGE
- RIVERSTONE

| No. | Revision | Date |
|-----|-------------------------|--------------|
| 15 | RE-ISSUED FOR SPA | 09 NOV 2022 |
| 14 | RE-ISSUED FOR SPA | 31 OCT 2022 |
| 13 | RE-ISSUED FOR SPA | 09 AUG 2022 |
| 12 | RE-ISSUED FOR SPA | 26 JUL 2022 |
| 11 | RE-ISSUED FOR SPA | 26 JUL 2022 |
| 10 | RE-ISSUED FOR SPA | 22 JUL 2022 |
| 9 | RE-ISSUED FOR SPA | 22 DEC 2021 |
| 8 | RE-ISSUED FOR SPA | 26 OCT 2021 |
| 7 | RE-ISSUED FOR SPA | 09 AUG 2021 |
| 6 | RE-ISSUED FOR SPA | 09 JUN 2021 |
| 5 | RE-ISSUED FOR SPA | 12 FEB 2021 |
| 4 | RE-ISSUED FOR SPA | 03 SEPT 2020 |
| 3 | RE-ISSUED FOR SPA | 10 AUG 2020 |
| 2 | ISSUED FOR SPA | 17 JULY 2020 |
| 1 | ISSUED FOR COORDINATION | 10 JULY 2020 |

| No. | Revision | Date |
|-----|-------------------------|--------------|
| 11 | RE-ISSUED FOR SPA | 26 JUL 2022 |
| 10 | RE-ISSUED FOR SPA | 22 JUL 2022 |
| 9 | RE-ISSUED FOR SPA | 22 DEC 2021 |
| 8 | RE-ISSUED FOR SPA | 26 OCT 2021 |
| 7 | RE-ISSUED FOR SPA | 09 AUG 2021 |
| 6 | RE-ISSUED FOR SPA | 09 JUN 2021 |
| 5 | RE-ISSUED FOR SPA | 12 FEB 2021 |
| 4 | RE-ISSUED FOR SPA | 03 SEPT 2020 |
| 3 | RE-ISSUED FOR SPA | 10 AUG 2020 |
| 2 | ISSUED FOR SPA | 17 JULY 2020 |
| 1 | ISSUED FOR COORDINATION | 10 JULY 2020 |

North:

Stamp:

CSW Landscape Architecture
 Urban Design
 Site Planning
 Recreation and Park Planning
 Project Management

319 McRae Avenue, Suite 502, Ottawa, Ontario, K1Z 0B9
 Tel: (613) 729-4536

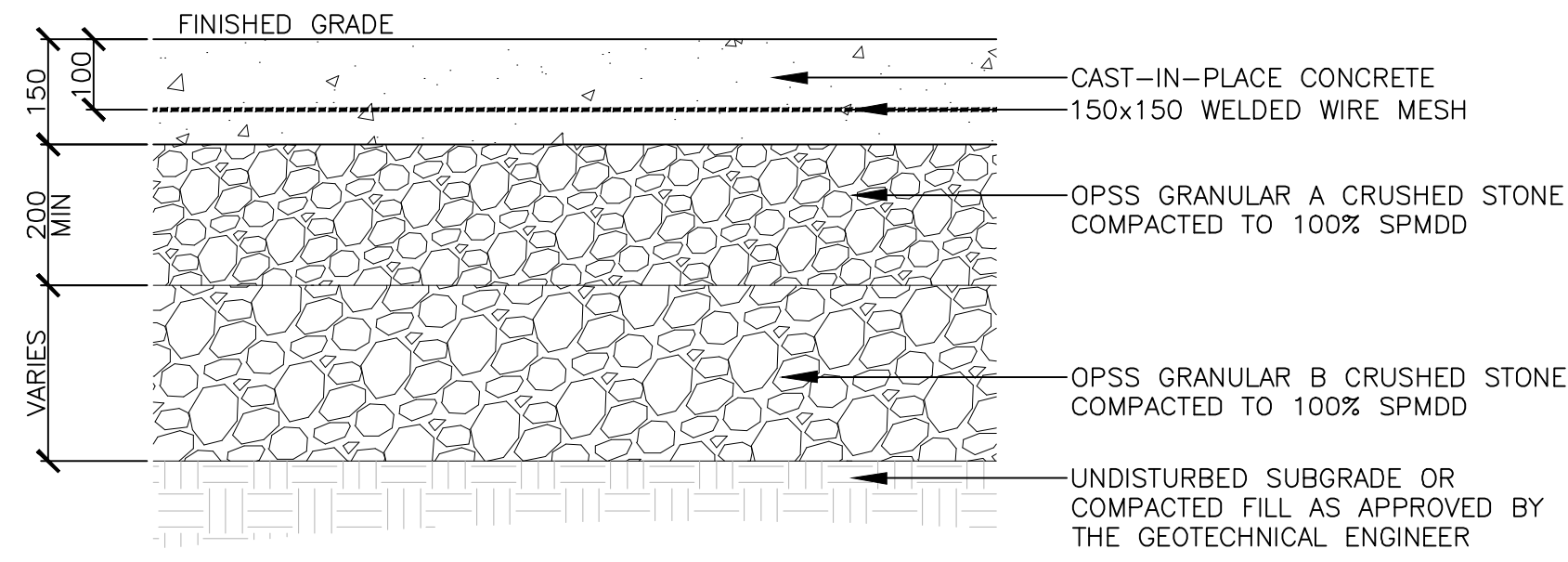
- All measurements in millimeters unless specified otherwise. Do not scale drawing. All drawings to be read in conjunction with written specifications.
- Copyright reserved. This drawing is the exclusive property of CSW Landscape Architects Ltd. and shall not be used without the consent thereof.
- This Drawing may not be used for construction until signed by the landscape architect. It is the responsibility of the contractor to:
 - check and verify all dimensions on site;
 - report all errors and/or omissions to the landscape architect;
 - comply with all pertinent codes and by-laws;
 - check and verify locations of all underground services with all local utilities prior to any digging.

Project:
**200 BARIBEAU STREET
 RESIDENTIAL DEVELOPMENT**

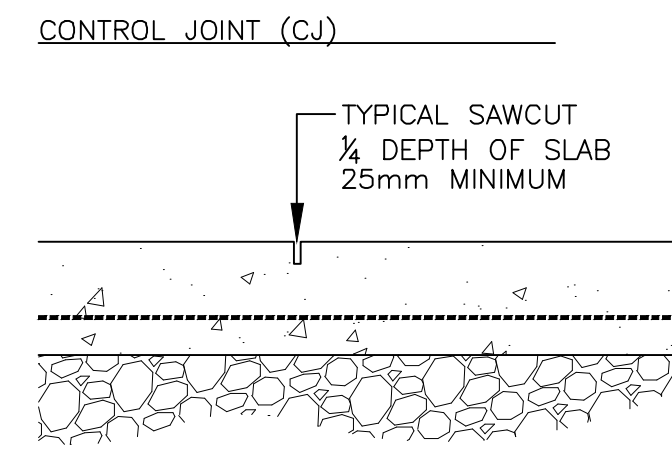
200 BARIBEAU STREET
 OTTAWA, ONTARIO

Drawing:
LANDSCAPE LAYOUT

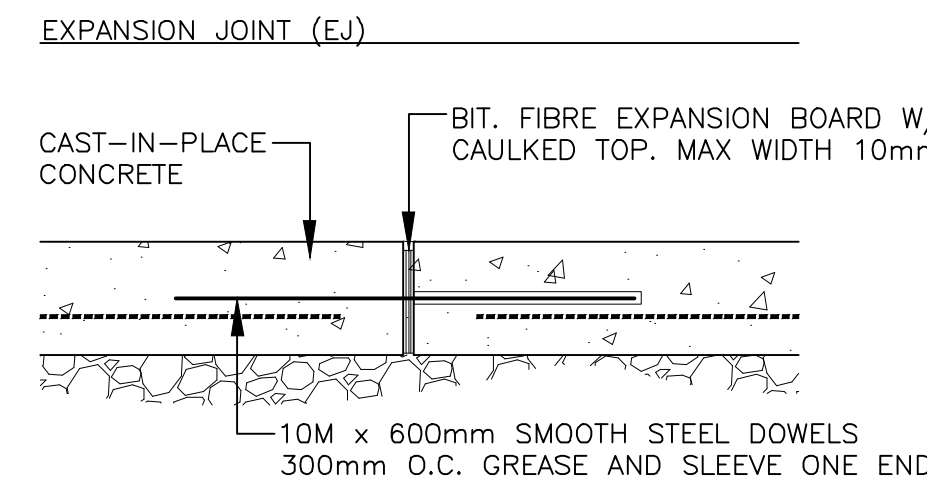
| | |
|----------------------------|------------------------|
| Scale: AS NOTED | Date: JULY 06 2020 |
| Design By: SMc | Drawn By: SMc |
| Project Number: 2053-01 | Sheet Number: L 1.1 |



1 CONCRETE PAVING 1:10

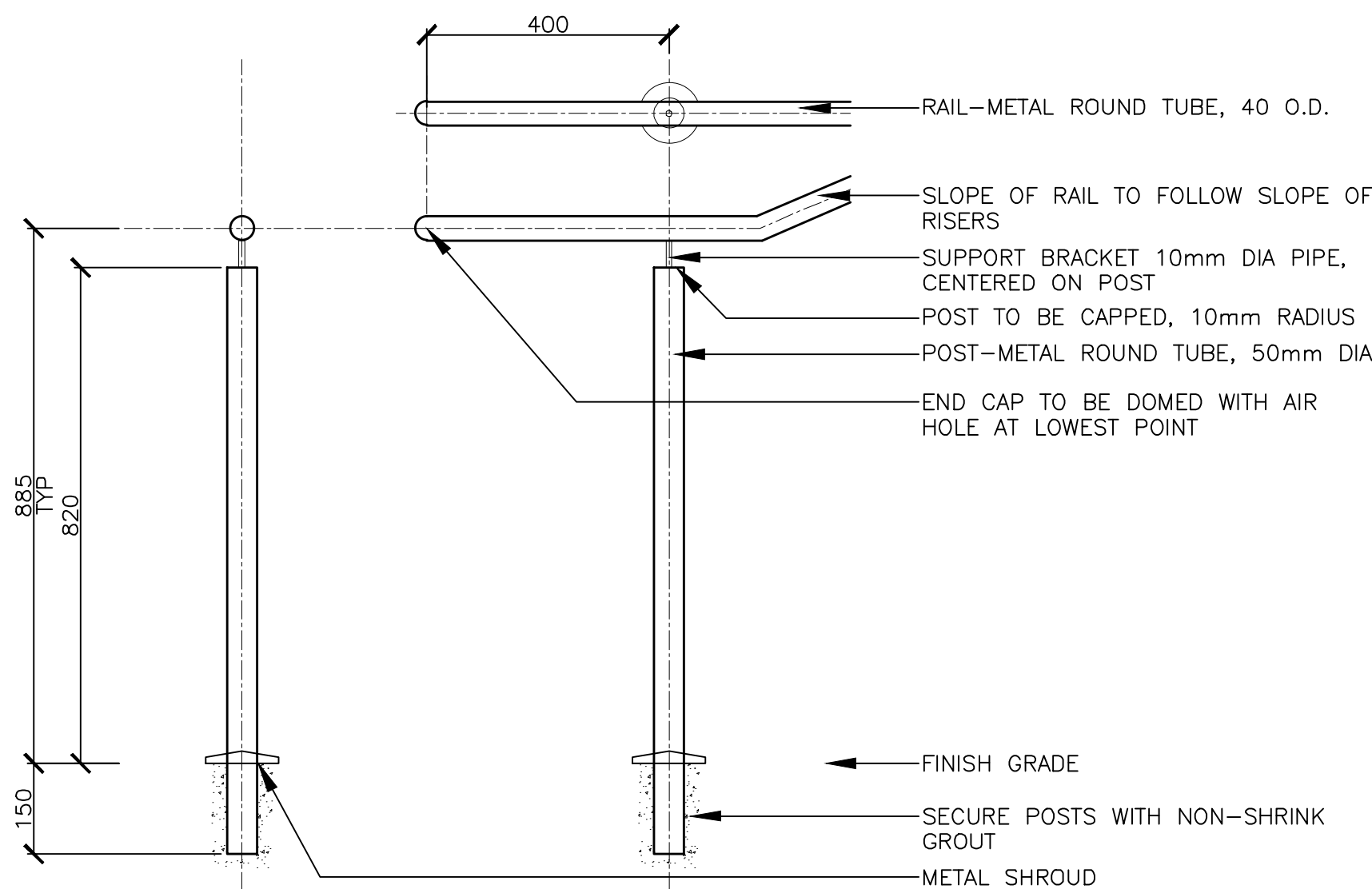


NOTES:
 1. REFER TO DRAWINGS FOR JOINT LAYOUT
 2. SAWCUT WITHIN 48 HOURS OF POUR
 3. NO TOOLED EDGES



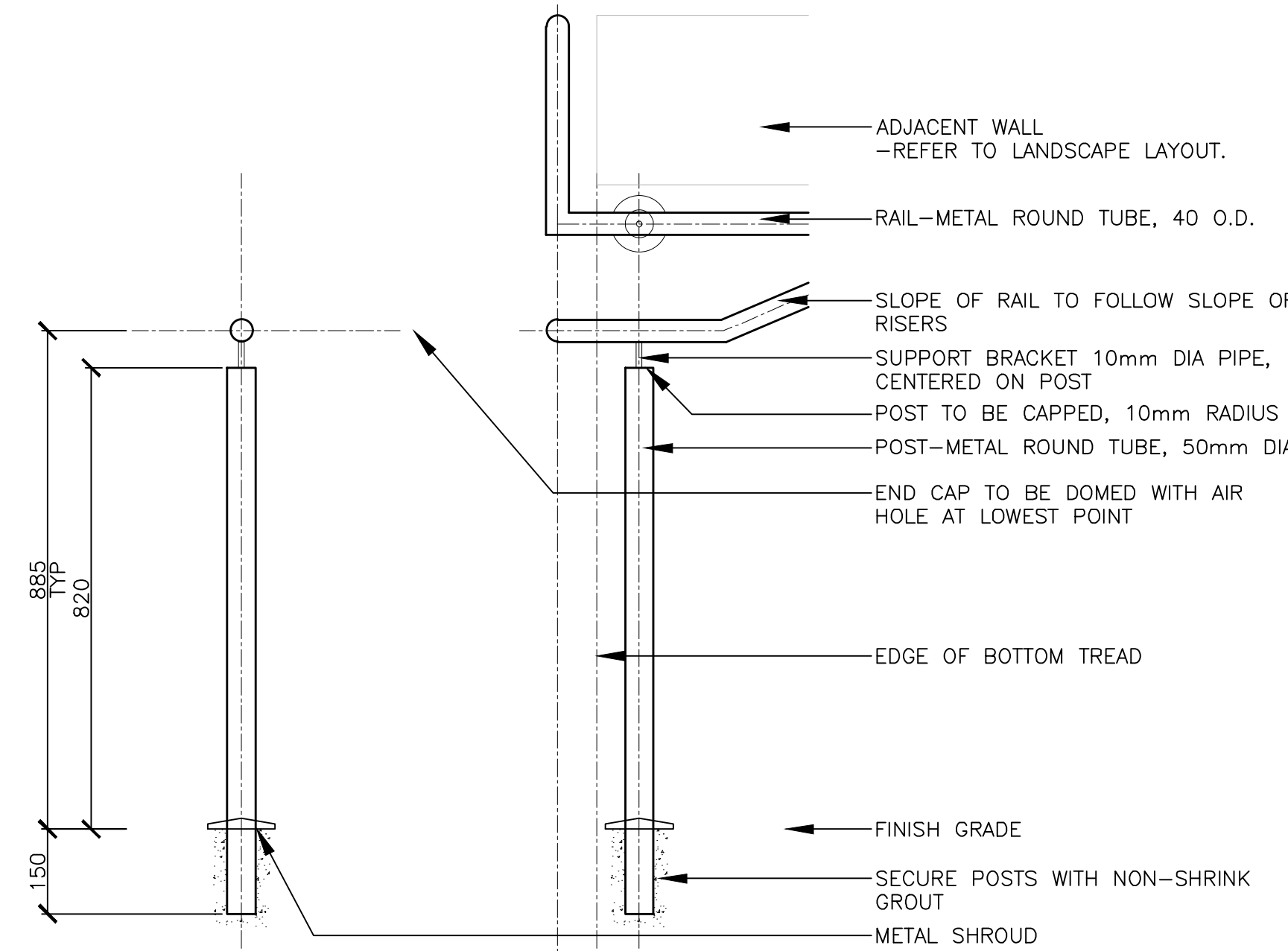
NOTES:
 1. REFER TO DRAWINGS FOR JOINT LAYOUT
 2. ALL STEEL DOWELS TO BE EPOXY - COATED
 3. NO TOOLED EDGES

2 CONCRETE JOINTS 1:10



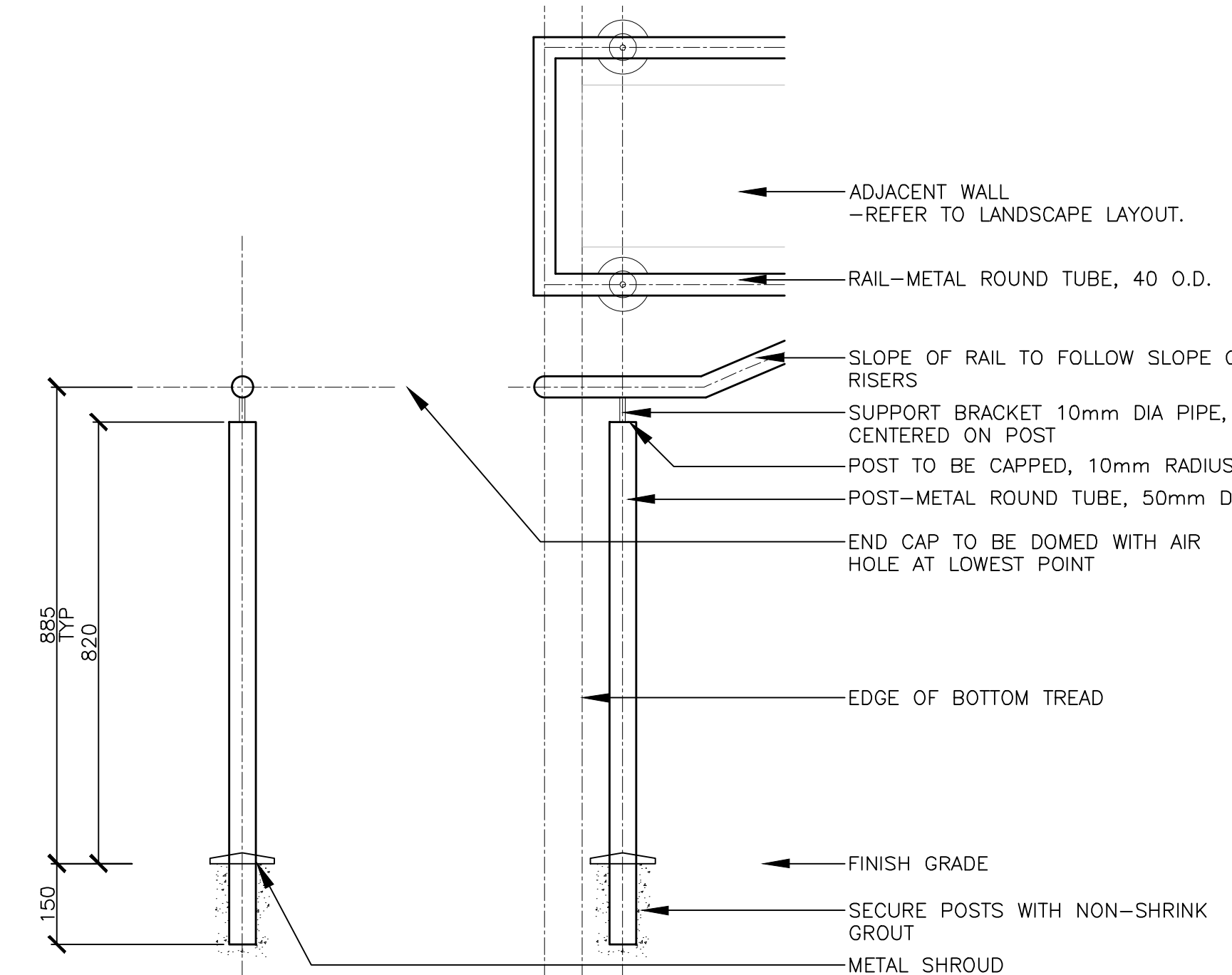
NOTES:
 1. ALL METAL TO BE MARINE GRADE, SAE 316, STAINLESS STEEL - ENSURE IT COVERS GROUT
 2. ALL WELDS TO BE FULL LENGTH AND BOTH SIDES OF ALL METAL SURFACES
 3. GRIND SMOOTH ALL JOINTS AND EDGES
 4. CONTRACTOR TO SUBMIT SHOP DRAWINGS FOR REVIEW PRIOR TO FABRICATION

4 HAND RAIL 1:10



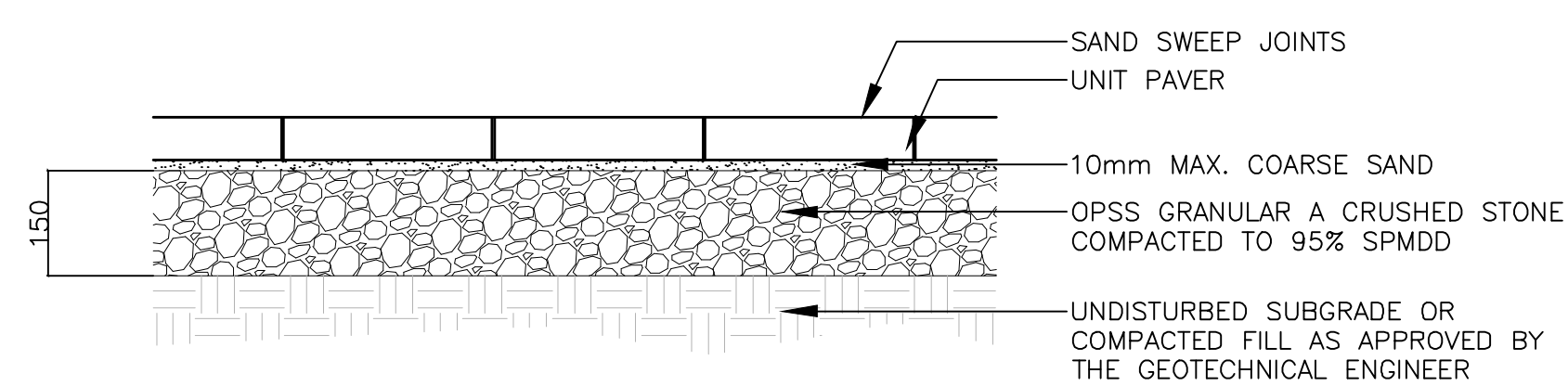
NOTES:
 1. ALL METAL TO BE MARINE GRADE, SAE 316, STAINLESS STEEL
 2. ALL WELDS TO BE FULL LENGTH AND BOTH SIDES OF ALL METAL SURFACES
 3. GRIND SMOOTH ALL JOINTS AND EDGES
 4. CONTRACTOR TO SUBMIT SHOP DRAWINGS FOR REVIEW PRIOR TO FABRICATION

3 90 DEGREE BEND (ONE-SIDED) 1:10

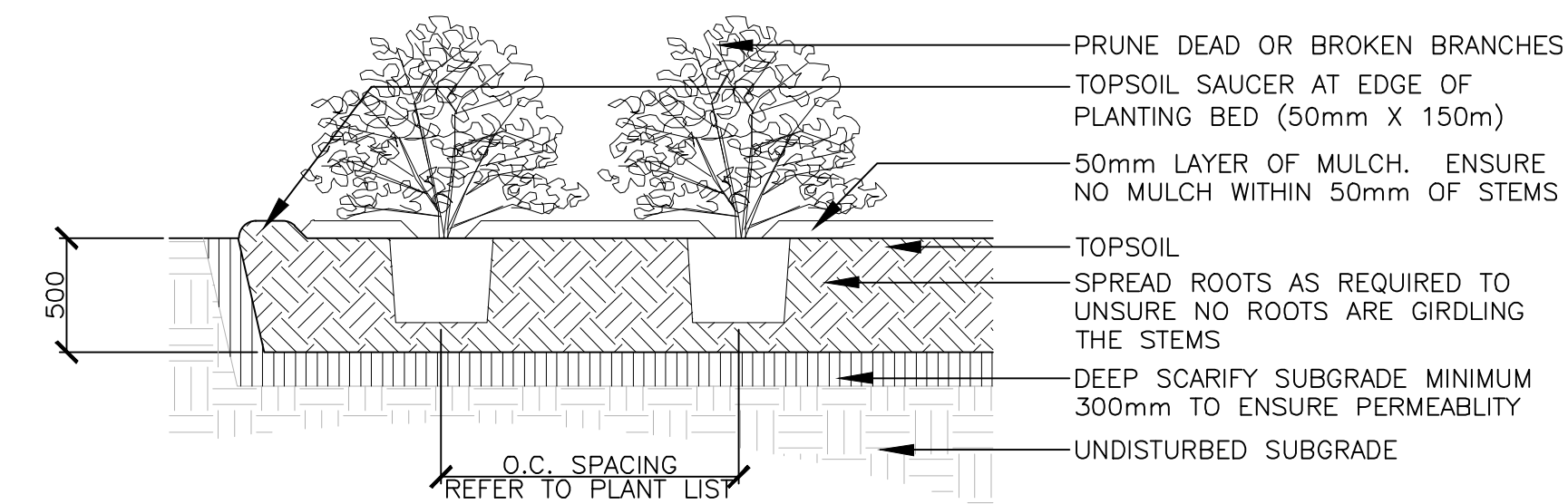


NOTES:
 1. ALL METAL TO BE MARINE GRADE, SAE 316, STAINLESS STEEL
 2. ALL WELDS TO BE FULL LENGTH AND BOTH SIDES OF ALL METAL SURFACES
 3. GRIND SMOOTH ALL JOINTS AND EDGES
 4. CONTRACTOR TO SUBMIT SHOP DRAWINGS FOR REVIEW PRIOR TO FABRICATION

3 90 DEGREE BEND (TWO-SIDED) 1:10

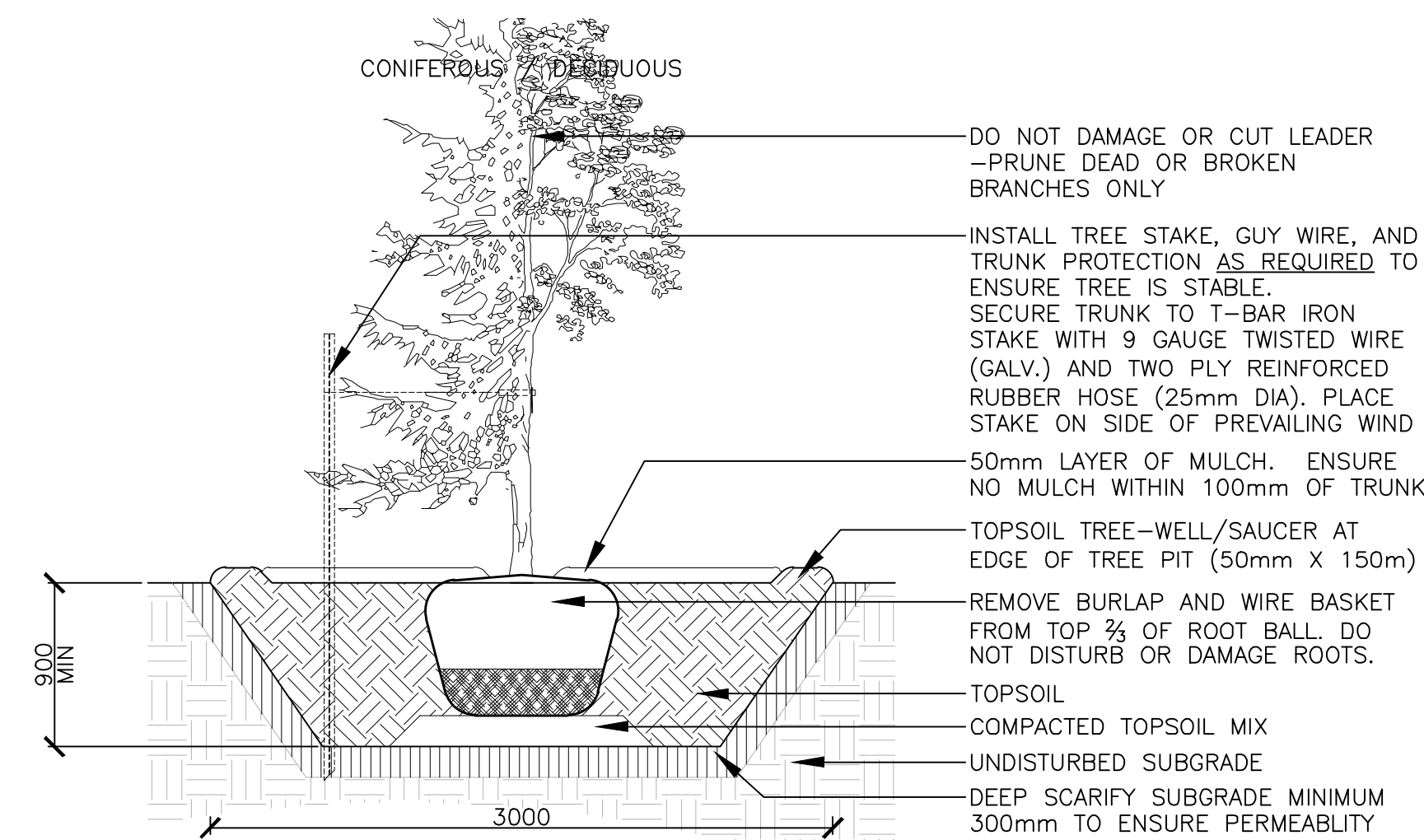


5 UNIT PAVING 1:10



NOTES:
 • TOP OF ROOT BALL TO RETAIN SAME ELEVATION AS GROWING CONDITIONS

6 SHRUB PLANTING 1:10



NOTES:
 • TREE STAKES ARE GENERALLY ARE TO BE USED FOR CONDITIONS WHERE THE INSTALLED TREE IS UNSTABLE AND/OR BECOMES UNSTABLE
 • ALLOW 10mm TO 25mm SLACK ON GUY WIRE SUPPORT FOR TREE
 • TOP OF ROOT BALL TO RETAIN SAME ELEVATION AS GROWING CONDITIONS
 • REMOVE STAKES ONE YEAR AFTER INSTALL
 • INSTALL STAKE BEYOND EDGE OF ROOT BALL

7 TREE PLANTING 1:30

Key Plan

| No. | Revision | Date |
|-----|-------------------------|--------------|
| 15 | RE-ISSUED FOR SPA | 09 NOV 2022 |
| 14 | RE-ISSUED FOR SPA | 31 OCT 2022 |
| 13 | RE-ISSUED FOR SPA | 09 AUG 2022 |
| 12 | RE-ISSUED FOR SPA | 26 JUL 2022 |
| 11 | RE-ISSUED FOR SPA | 26 JUL 2022 |
| 10 | RE-ISSUED FOR SPA | 22 JUL 2022 |
| 9 | RE-ISSUED FOR SPA | 22 DEC 2021 |
| 8 | RE-ISSUED FOR SPA | 26 OCT 2021 |
| 7 | RE-ISSUED FOR SPA | 09 JUN 2021 |
| 6 | RE-ISSUED FOR SPA | 09 JUN 2021 |
| 5 | RE-ISSUED FOR SPA | 12 FEB 2021 |
| 4 | RE-ISSUED FOR SPA | 03 SEPT 2020 |
| 3 | RE-ISSUED FOR SPA | 10 AUG 2020 |
| 2 | ISSUED FOR SPA | 17 JULY 2020 |
| 1 | ISSUED FOR COORDINATION | 10 JULY 2020 |

North: Stamp:

CSW Landscape Architecture
 Urban Design
 Site Planning
 Recreation and Park Planning
 Project Management
 319 McRae Avenue, Suite 502, Ottawa, Ontario, K1Z 0B9
 Tel: (613) 729-4536

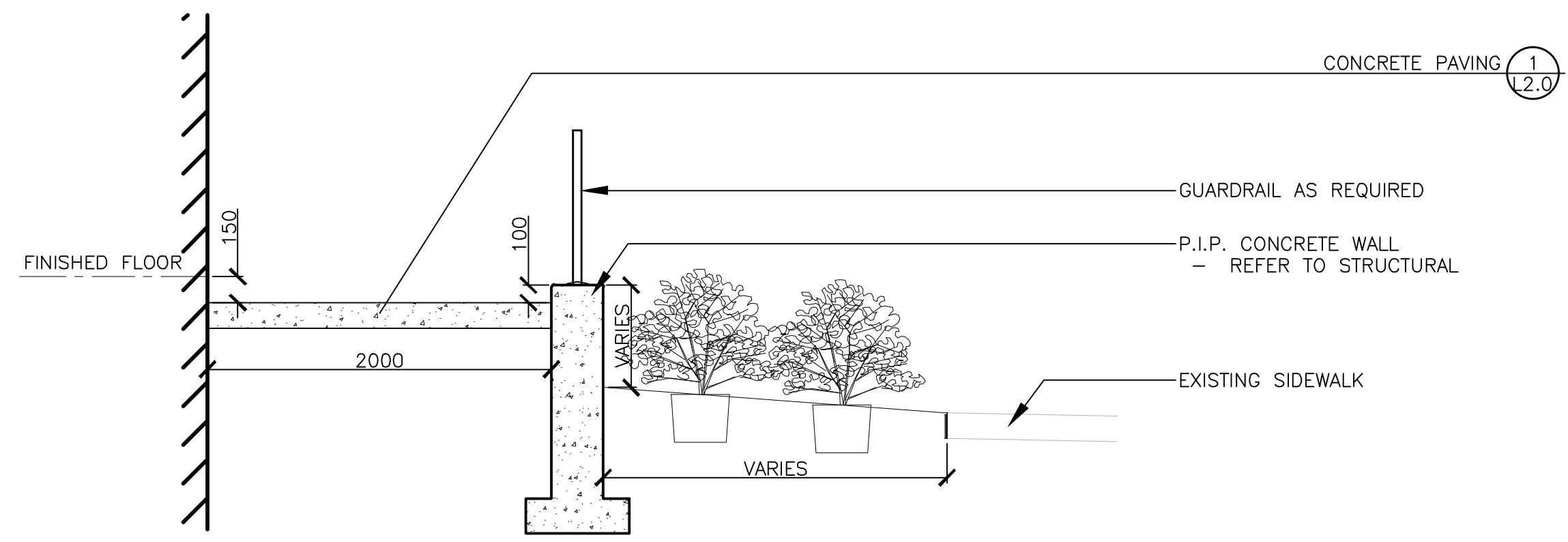
- All measurements in millimeters unless specified otherwise. Do not scale drawing. All drawings to be read in conjunction with written specifications.
- Copyright reserved. This drawing is the exclusive property of CSW Landscape Architects Ltd. and shall not be used without the consent thereof.
- This Drawing may not be used for construction until signed by the landscape architect. It is the responsibility of the contractor to:
 - check and verify all dimensions on site;
 - report all errors and/or omissions to the landscape architect;
 - comply with all pertinent codes and by-laws;
 - check and verify locations of all underground services with all local utilities prior to any digging.

Project:
200 BARIBEAU STREET RESIDENTIAL DEVELOPMENT
 200 BARIBEAU STREET
 OTTAWA, ONTARIO

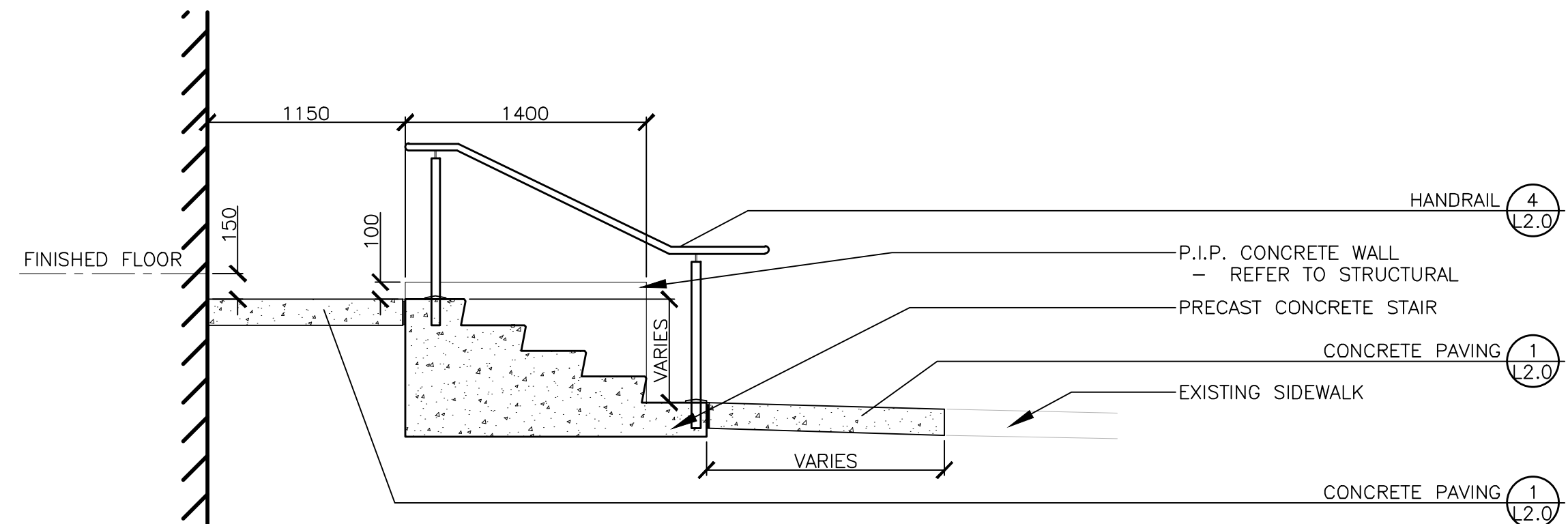
Drawing:
LANDSCAPE DETAILS

| | |
|-------------------------|---------------------|
| Scale: AS NOTED | Date: JULY 06 2020 |
| Design By: SMc | Drawn By: SMc |
| Project Number: 2053-01 | Sheet Number: L 2.0 |

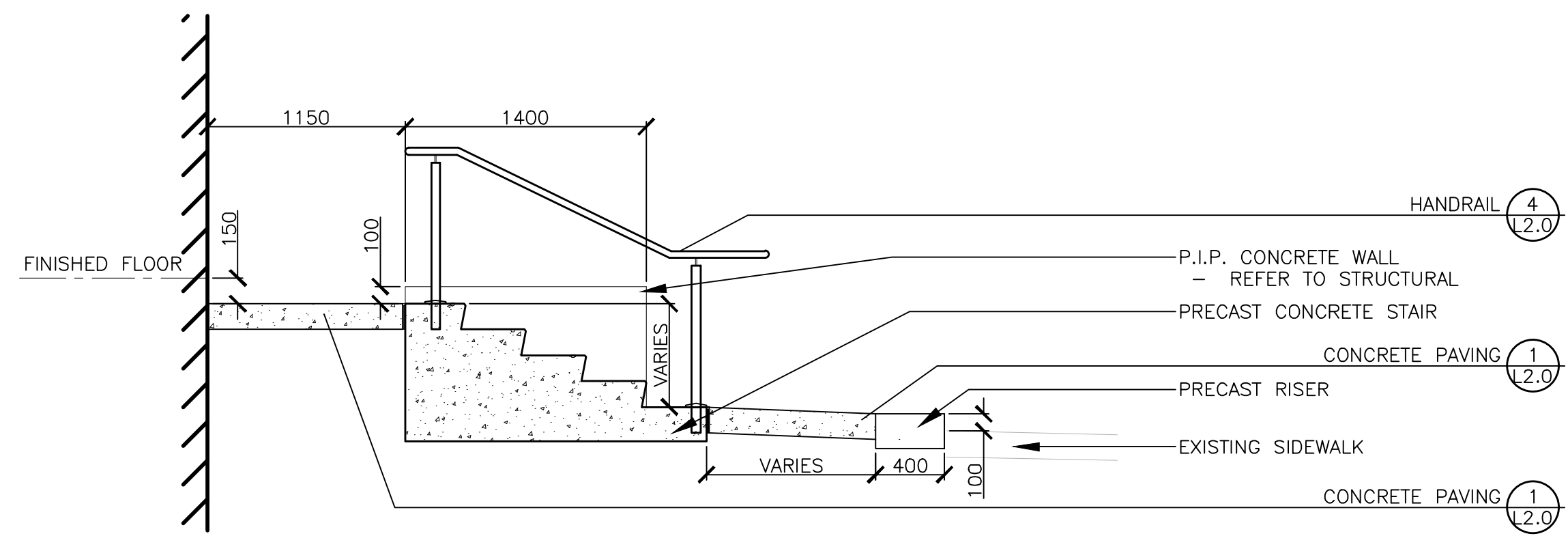
Last Saved: 2022-11-09 12:32:34 PM
 File Location: Z:\Projects\2053-01_200 Baribeau Street\Drawings\SPA\SPA15(L-Detail).dwg



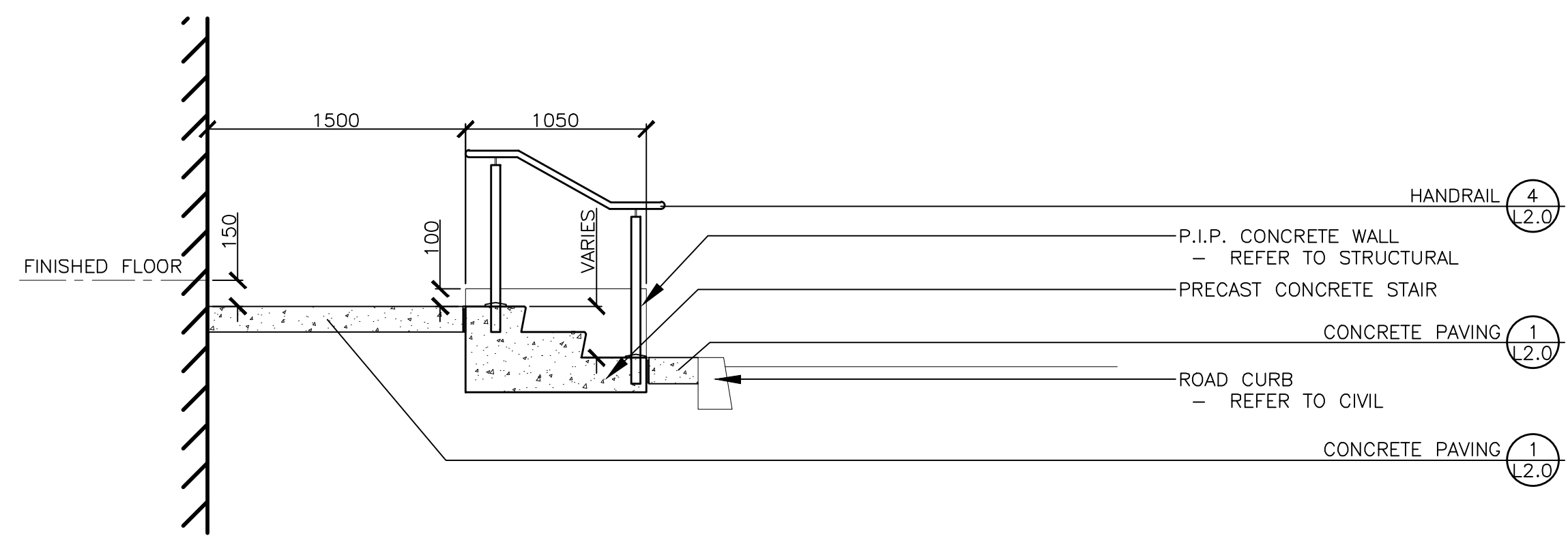
1 CROSS SECTION A- UNITS C, D, E & F 1:30



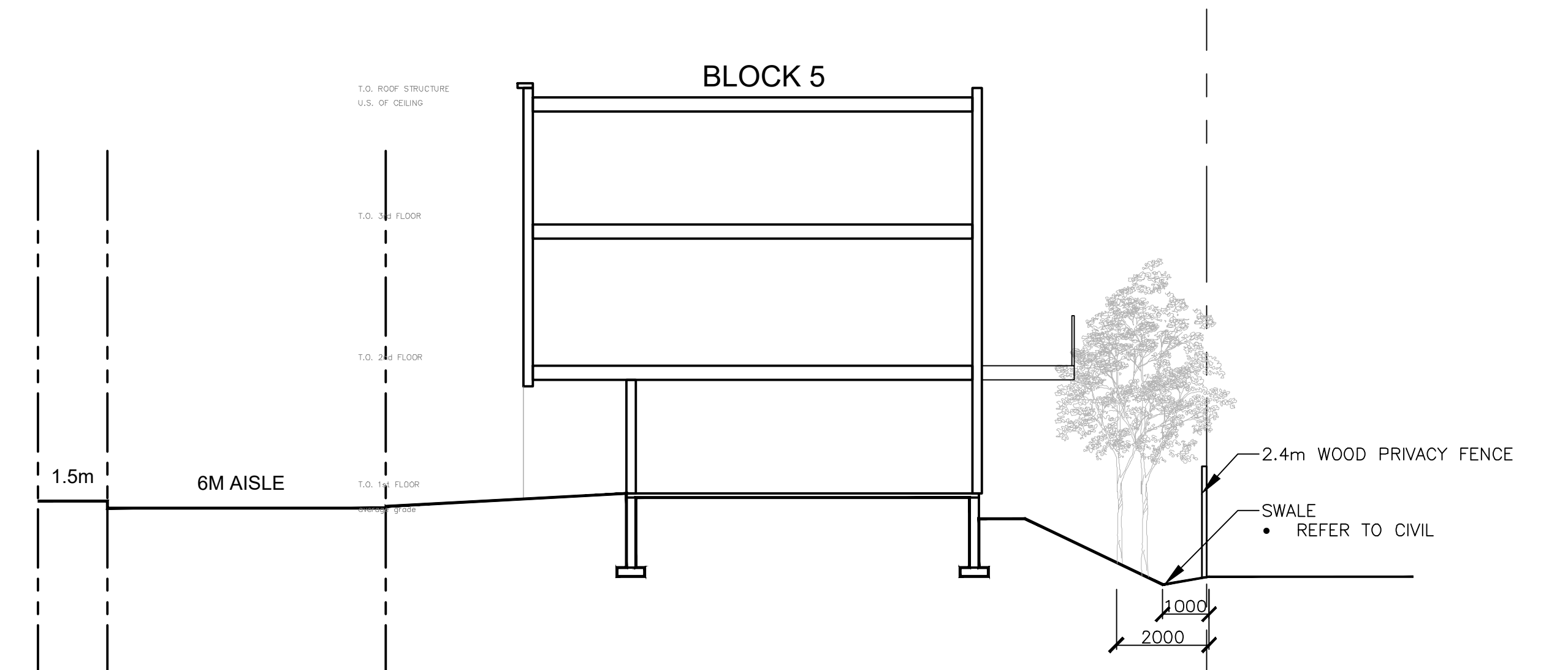
2 CROSS SECTION B- UNITS C, D, E & F 1:30



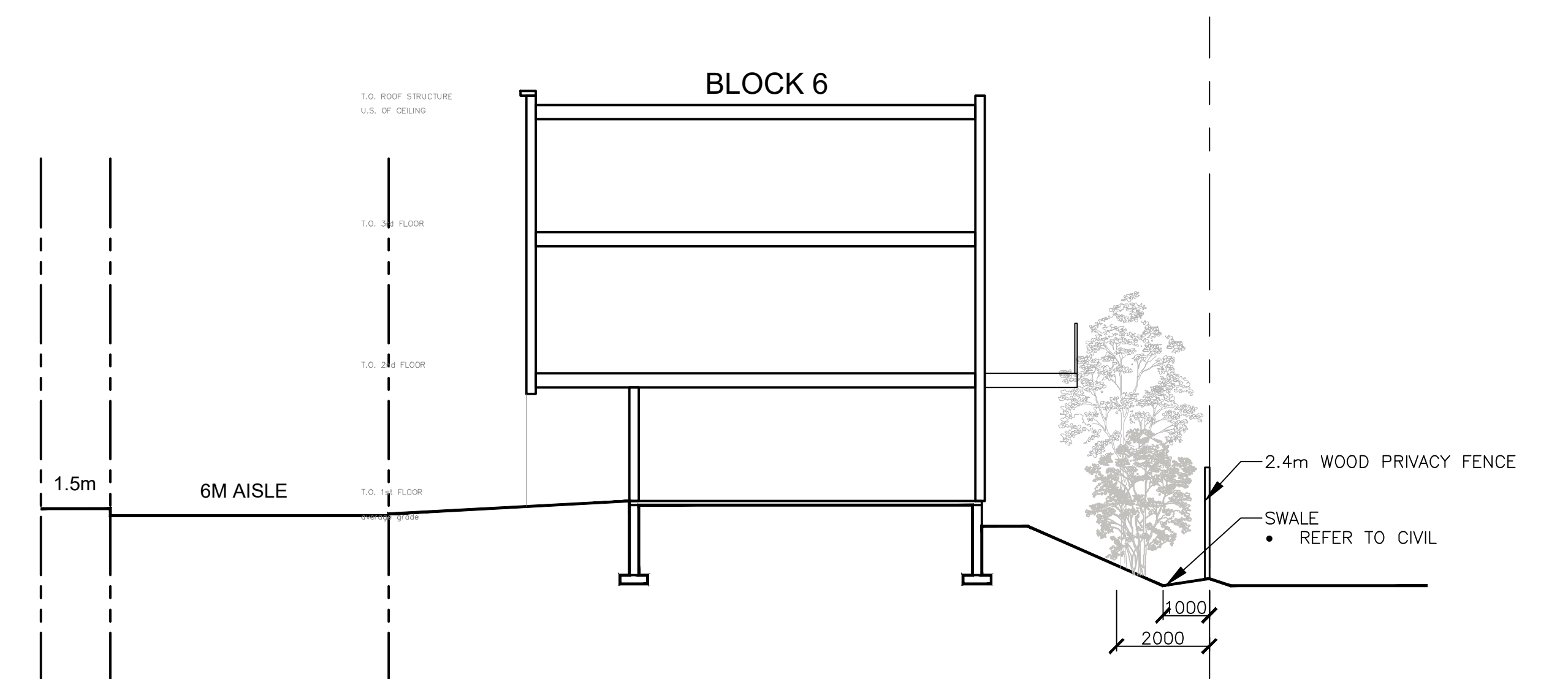
3 CROSS SECTION C- UNITS E, F 1:30



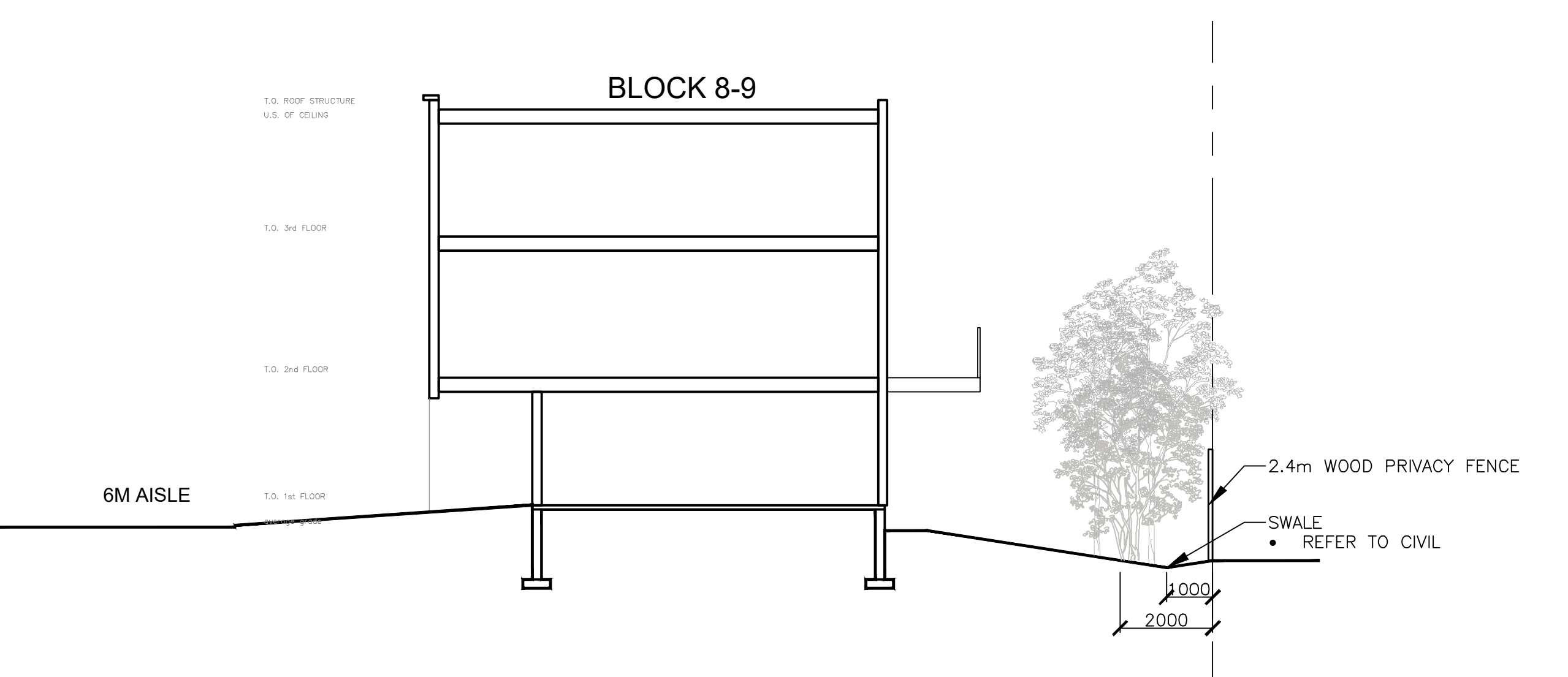
4 CROSS SECTION - UNIT H 1:30



5 BLOCKS 5 CROSS SECTION Scale: 1:100



6 BLOCKS 6 CROSS SECTION Scale: 1:100



7 BLOCKS 8-9 CROSS SECTION Scale: 1:100

Key Plan

| No. | Revision | Date |
|-----|-------------------------|--------------|
| 15 | RE-ISSUED FOR SPA | 09 NOV 2022 |
| 14 | RE-ISSUED FOR SPA | 31 OCT 2022 |
| 13 | RE-ISSUED FOR SPA | 09 AUG 2022 |
| 12 | RE-ISSUED FOR SPA | 26 JUL 2022 |
| 11 | RE-ISSUED FOR SPA | 26 JUL 2022 |
| 10 | RE-ISSUED FOR SPA | 22 JUL 2022 |
| 9 | RE-ISSUED FOR SPA | 22 DEC 2021 |
| 8 | RE-ISSUED FOR SPA | 26 OCT 2021 |
| 7 | RE-ISSUED FOR SPA | 09 AUG 2021 |
| 6 | RE-ISSUED FOR SPA | 09 JUN 2021 |
| 5 | RE-ISSUED FOR SPA | 12 FEB 2021 |
| 4 | RE-ISSUED FOR SPA | 03 SEPT 2020 |
| 3 | RE-ISSUED FOR SPA | 10 AUG 2020 |
| 2 | ISSUED FOR SPA | 17 JULY 2020 |
| 1 | ISSUED FOR COORDINATION | 10 JULY 2020 |

North: Stamp:

CSW Landscape Architecture
 Urban Design
 Site Planning
 Recreation and Park Planning
 Project Management

319 McRae Avenue, Suite 502, Ottawa, Ontario, K1Z 0B9
 Tel: (613) 729-4536

- All measurements in millimeters unless specified otherwise. Do not scale drawing. All drawings to be read in conjunction with written specifications.
- Copyright reserved. This drawing is the exclusive property of CSW Landscape Architects Ltd. and shall not be used without the consent thereof.
- This Drawing may not be used for construction until signed by the landscape architect. It is the responsibility of the contractor to:
 - check and verify all dimensions on site;
 - report all errors and/or omissions to the landscape architect;
 - comply with all pertinent codes and by-laws;
 - check and verify locations of all underground services with all local utilities prior to any digging.

Project:
**200 BARIBEAU STREET
 RESIDENTIAL DEVELOPMENT**

200 BARIBEAU STREET
 OTTAWA, ONTARIO

Drawing:
LANDSCAPE SECTIONS

| | |
|----------------------------|------------------------|
| Scale: AS NOTED | Date: JULY 06 2020 |
| Design By: SMC | Drawn By: SMC |
| Project Number: 2053-01 | Sheet Number: L 2.1 |

Last Saved: 2022-11-09 12:32:34 PM
 File Location: Z:\Projects\2053-01_200 Baribeau Street\Drawings\SPA\SPA151-Detail.dwg