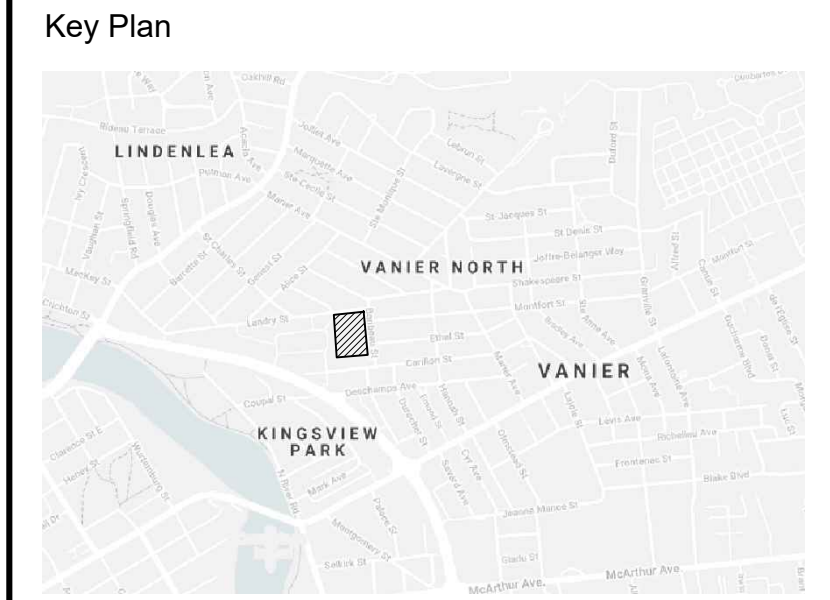


1 LANDSCAPE LAYOUT

SYM.	BOTANICAL NAME	COMMON NAME	QTY.	SIZE	REMARKS
LARGE DECIDUOUS TREES					
AF	ACER FREEMANII 'CELZAM'	CELEBRATION MAPLE	13	70mm CAL.	B&B / W.B.
PT*	POPULUS TREMULOIDES	TREMBLING ASPEN	21	40mm CAL.	BAREROOT
QR1	QUERCUS RUBRA	RED OAK	7	70mm CAL.	B&B / W.B. PLANT IN SPRING
QR2*	QUERCUS RUBRA	RED OAK	20	40mm CAL.	BAREROOT
TA*	TILIA AMERICANA	AMERICAN LINDEN	20	40mm CAL.	BAREROOT
SMALL DECIDUOUS TREES					
AP	ACER PLATANOIDES 'COLUMARE'	COLUMNAR NORWAY MAPLE	14	1800mm HT.	B&B / W.B.
QR	QUERCUS ROBUR 'FASTIGIATA'	COLUMNAR ENGLISH OAK	11	1800mm HT.	B&B / W.B.
RA*	RHUS AROMATICA 'GRO LOW'	LOW GRO FRAGRANT SUMAC	--	600mm HT.	WHIP/BAREROOT, 1.2m O.C.
CONIFEROUS TREES					
JS	JUNIPERUS SCOPULORUM 'SKYROCKET'	SKYROCKET JUNIPER	8	1800mm HT.	B&B / W.B.
TO*	THUJA OCCIDENTALIS	EASTERN WHITE CEDAR	21	40mm CAL.	BAREROOT
SHRUBS					
JH	JUNIPERUS HORIZONTALIS 'PLUMOSA COMPACTA'	COMPACT ANDORA JUNIPER	--	600mm SPR.	POT. 750mm O.C.
SB	SPIREA X BUMALDA 'GOLDFLAME'	GOLDFLAME SPIREA	--	500mm HT.	POT. 600mm O.C.
SS	SORBARIA SORBIFOLIA	FALSE SPIREA	--	500mm HT.	POT. 900mm O.C.
RA	RHUS AROMATICA 'GRO-LOW'	GRO-LOW FRAGRANT SUMAC	--	1 GAL. POT.	POT. 600mm O.C.
PERENNIALS AND GRASSES					
HS	HEMEROCALLIS 'STELLA D'ORO'	STELL D'ORO DAYLILY	--	1 GAL. POT.	POT. 400mm O.C.
MS	MISCANTHUS SIN. 'GRACILLIMUS'	MAIDEN GRASS	--	1 GAL. POT.	POT. 600mm O.C.
PV	PANICUM VIRGATUM	SWITCH GRASS	--	1 GAL. POT.	POT. 600mm O.C.

* TREES/SHRUBS FOR REAR-YARD SCREENING



LEGEND

- ⊕ PROPOSED LARGE DECIDUOUS TREES
- ⊙ PROPOSED SMALL DECIDUOUS TREES
- ⊗ PROPOSED CONIFEROUS TREES
- ⊛ *40mm CAL. TREES
- ⊞ SHRUB / PERENNIAL PLANTING

No.	Revision	Date
8	RE-ISSUED FOR SPA	26 OCT 2021
7	RE-ISSUED FOR SPA	09 AUG 2021
6	RE-ISSUED FOR SPA	09 JUN 2021
5	RE-ISSUED FOR SPA	12 FEB 2021
4	RE-ISSUED FOR SPA	03 SEPT 2020
3	RE-ISSUED FOR SPA	10 AUG 2020
2	ISSUED FOR SPA	17 JULY 2020
1	ISSUED FOR COORDINATION	10 JULY 2020

North:

Stamp:

CSW Landscape Architecture
 Urban Design
 Site Planning
 Recreation and Park Planning
 Project Management

319 McRae Avenue, Suite 502, Ottawa, Ontario, K1Z 0B9
 Tel: (613) 729-4536

- All measurements in millimeters unless specified otherwise. Do not scale drawing. All drawings to be read in conjunction with written specifications.
- Copyright reserved. This drawing is the exclusive property of CSW Landscape Architects Ltd. and shall not be used without the consent thereof.
- This Drawing may not be used for construction until signed by the landscape architect. It is the responsibility of the contractor to:
 - check and verify all dimensions on site;
 - report all errors and/or omissions to the landscape architect;
 - comply with all pertinent codes and by-laws;
 - check and verify locations of all underground services with all local utilities prior to any digging.

Project:
**200 BARIBEAU STREET
 RESIDENTIAL DEVELOPMENT**

200 BARIBEAU STREET
 OTTAWA, ONTARIO

Drawing:
LANDSCAPE LAYOUT

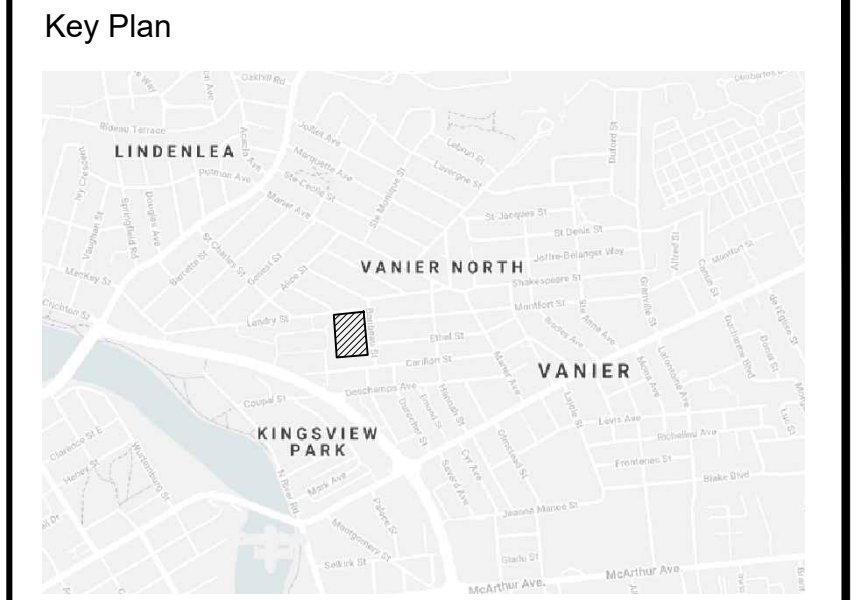
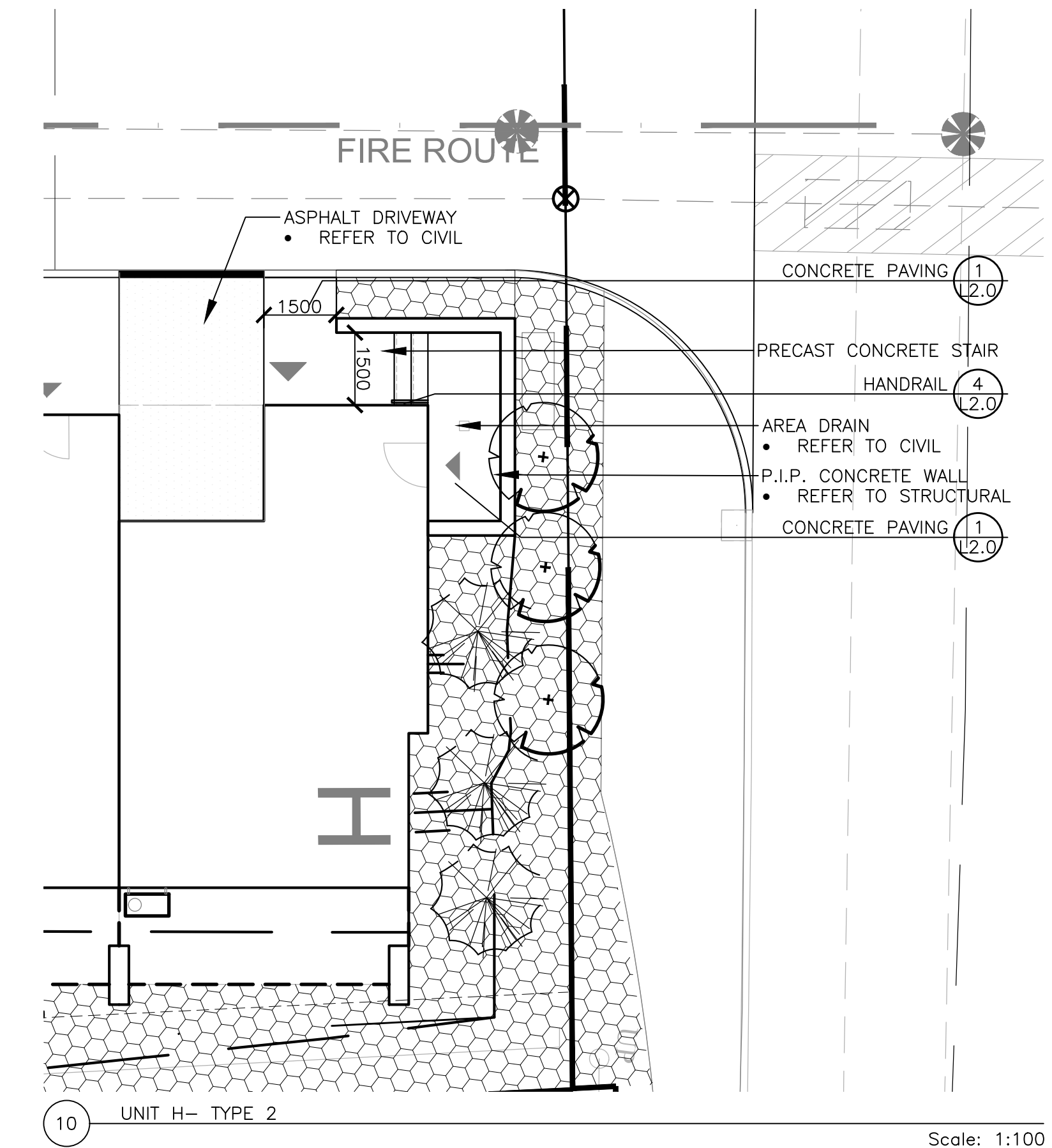
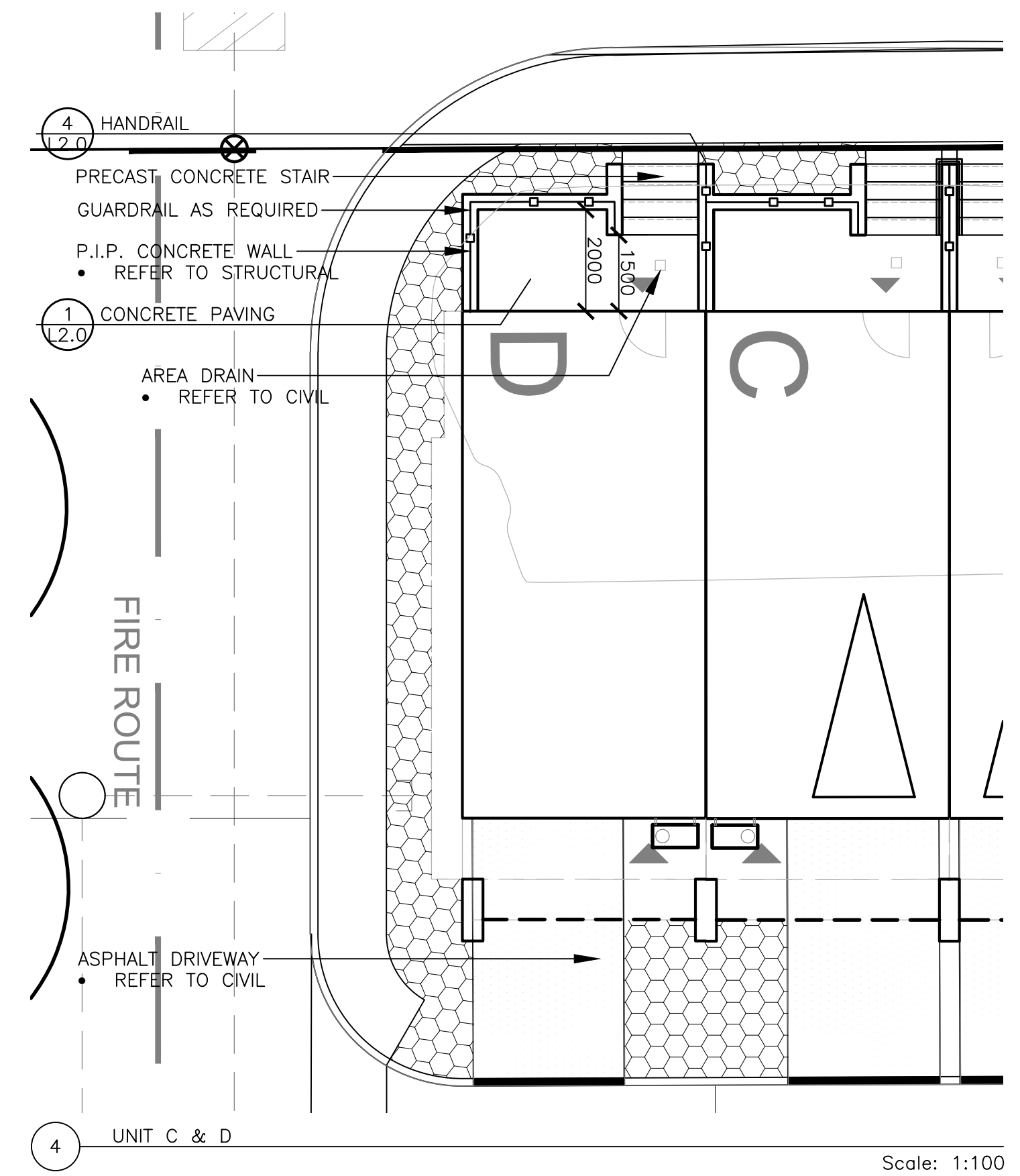
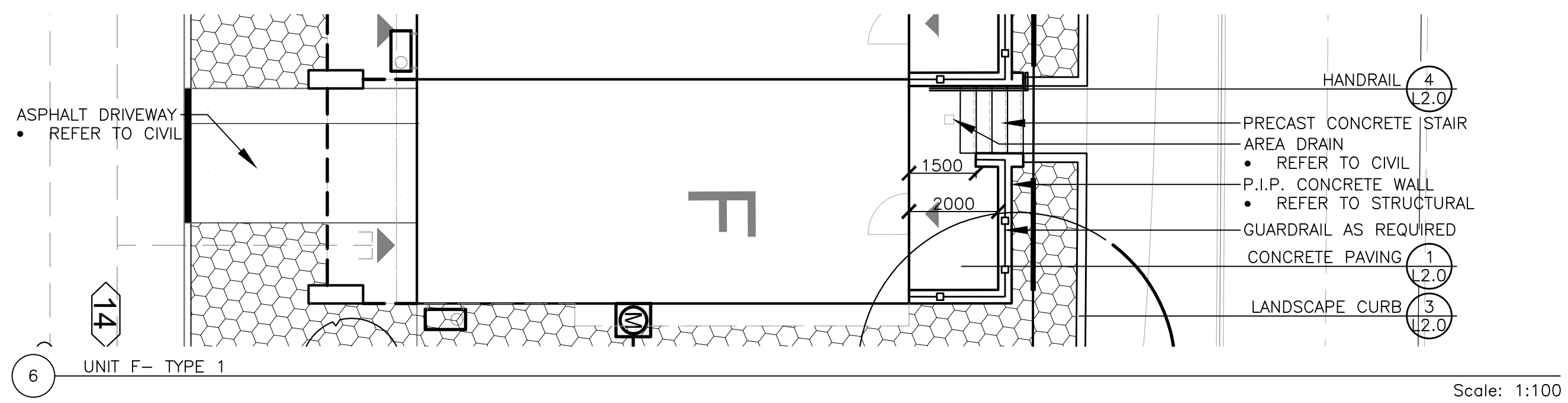
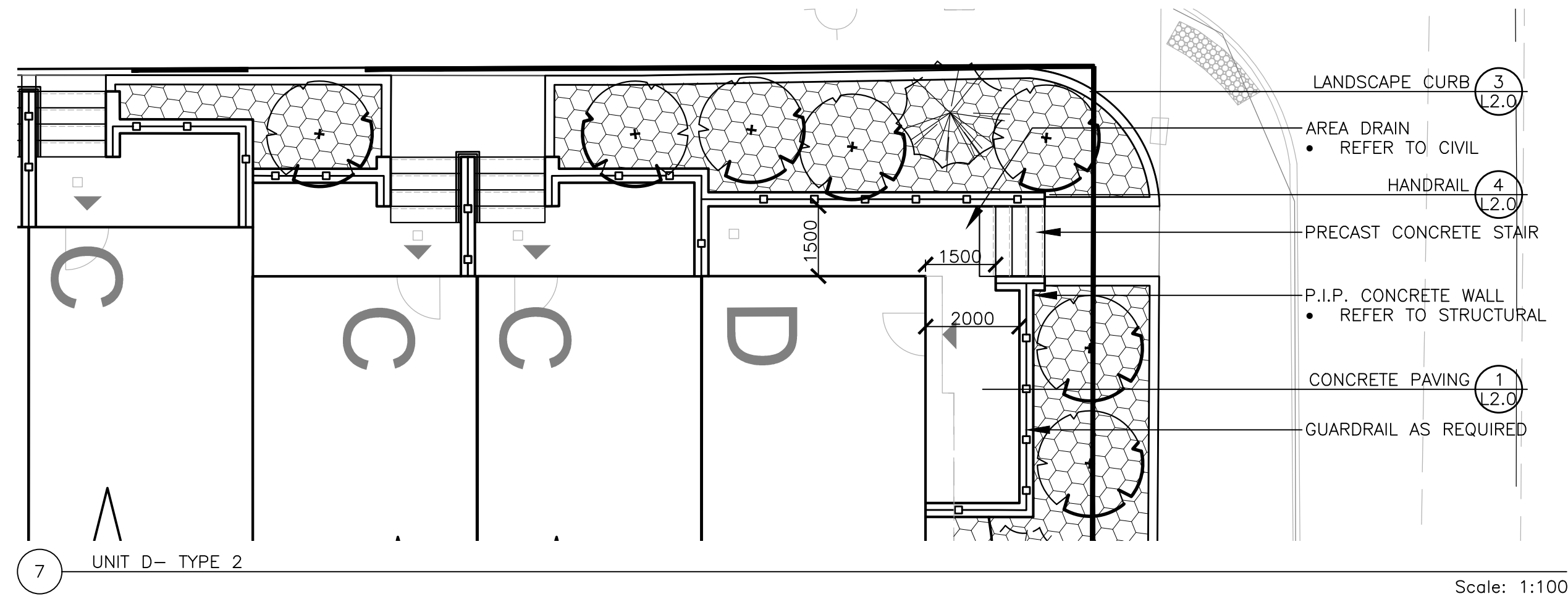
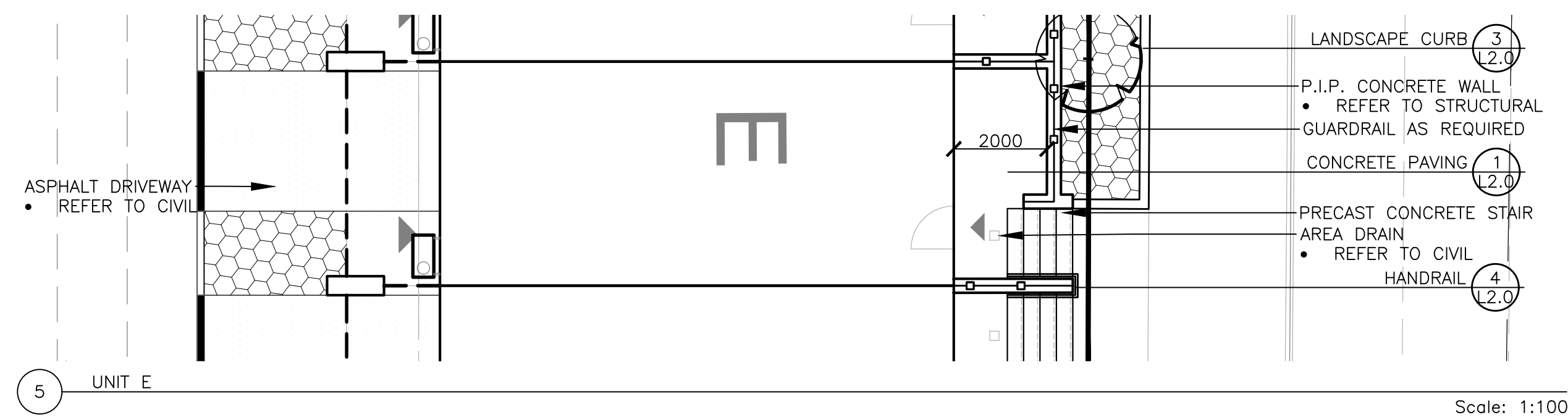
Scale:	1:300	Date:	JULY 06 2020
Design By:	SMc	Drawn By:	SMc
Project Number:	2053-01	Sheet Number:	L 1.0

Last Saved: 2021-10-28 1:09:52 PM
 File Location: Z:\Projects\2053-01_200 Baribeau Street\Drawings\SPA\SPA_08102053-01_200 Baribeau Street_SPA08102053-01.dwg

Scale: 1:300



Last Saved: 2021-10-20 1:09:52 PM
 File Location: Z:\Projects\2053-01_200 Baribeau Street\Drawings\SPA\SPA_09\2053-01_200 Baribeau Street_SPA\06(Landscape).dwg



LEGEND

- PROPOSED LARGE DECIDUOUS TREES
- PROPOSED SMALL DECIDUOUS TREES
- PROPOSED CONIFEROUS TREES
- *40mm CAL. TREES
- SHRUB / PERENNIAL PLANTING

No.	Revision	Date
8	RE-ISSUED FOR SPA	26 OCT 2021
7	RE-ISSUED FOR SPA	09 AUG 2021
6	RE-ISSUED FOR SPA	09 JUN 2021
5	RE-ISSUED FOR SPA	12 FEB 2021
4	RE-ISSUED FOR SPA	03 SEPT 2020
3	RE-ISSUED FOR SPA	10 AUG 2020
2	ISSUED FOR SPA	17 JULY 2020
1	ISSUED FOR COORDINATION	10 JULY 2020

North:

Stamp:

Landscape Architecture
 Urban Design
 Site Planning
 Recreation and Park Planning
 Project Management

319 McRae Avenue, Suite 502, Ottawa, Ontario, K1Z 0B9
 Tel: (613) 729-4536

- All measurements in millimeters unless specified otherwise. Do not scale drawing. All drawings to be read in conjunction with written specifications.
- Copyright reserved. This drawing is the exclusive property of CSW Landscape Architects Ltd. and shall not be used without the consent thereof.
- This Drawing may not be used for construction until signed by the landscape architect. It is the responsibility of the contractor to:
 - check and verify all dimensions on site;
 - report all errors and/or omissions to the landscape architect;
 - comply with all pertinent codes and by-laws;
 - check and verify locations of all underground services with all local utilities prior to any digging.

Project:

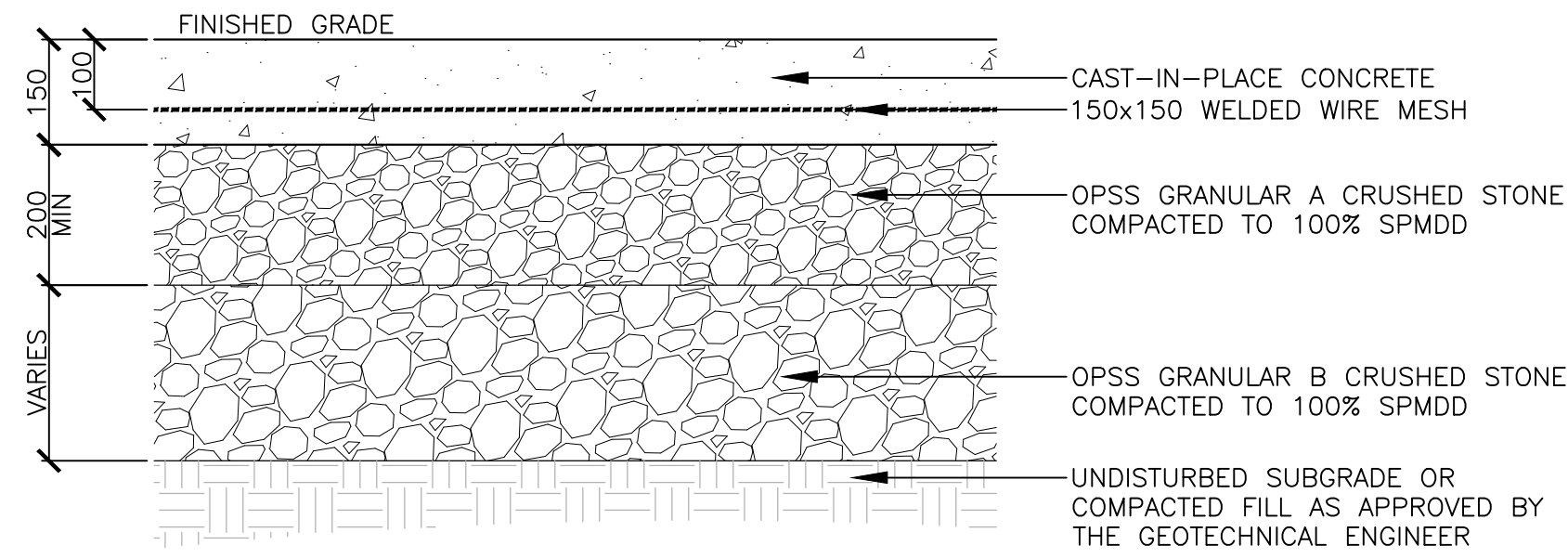
200 BARIBEAU STREET RESIDENTIAL DEVELOPMENT

200 BARIBEAU STREET
OTTAWA., ONTARIO

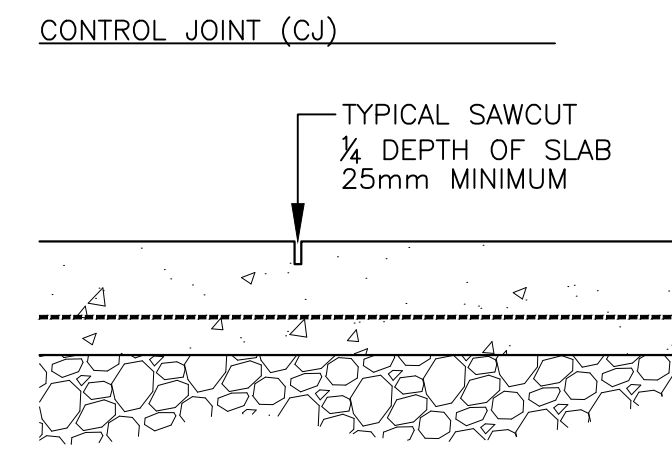
Drawing:

LANDSCAPE LAYOUT

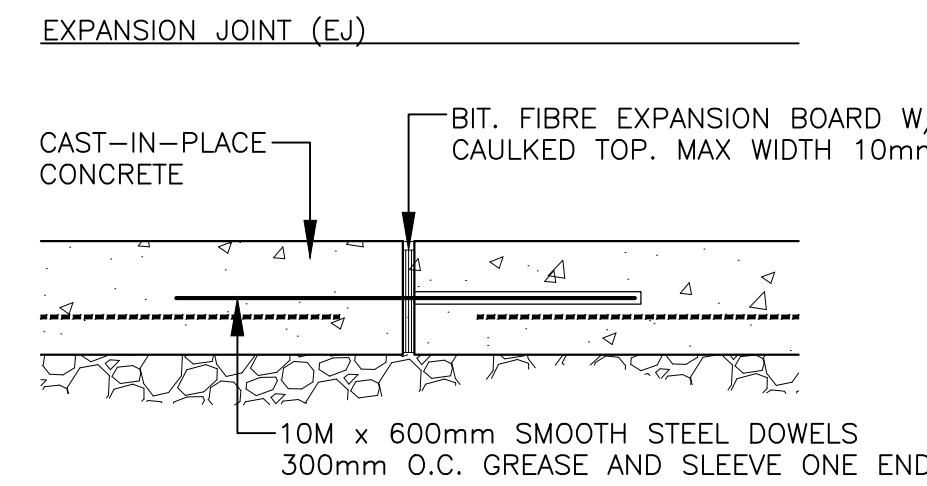
Scale:	AS NOTED	Date:	JULY 06 2020
Design By:	SMc	Drawn By:	SMc
Project Number:	2053-01	Sheet Number:	L 1.1



1 CONCRETE PAVING 1:10

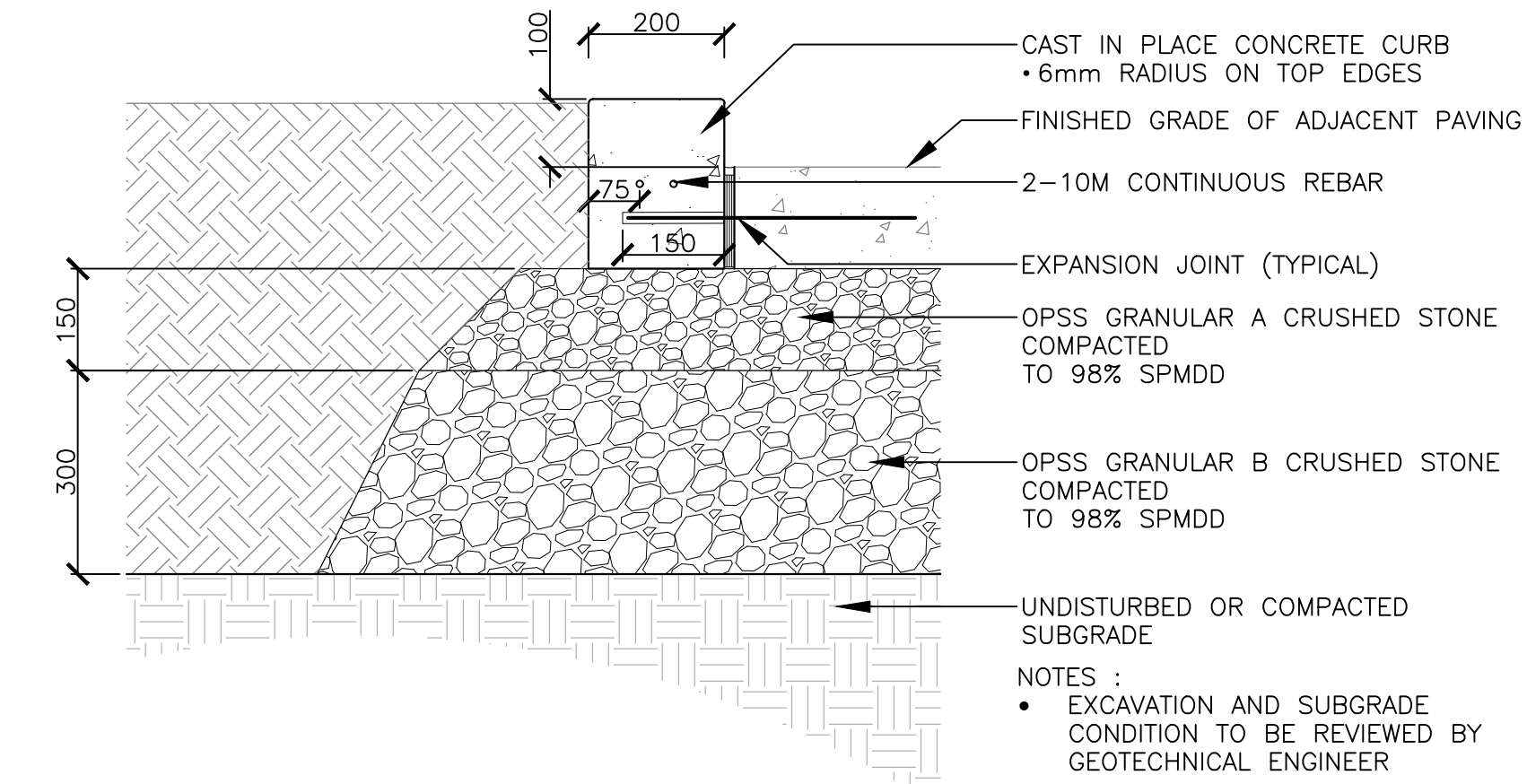


NOTES:
 1. REFER TO DRAWINGS FOR JOINT LAYOUT
 2. SAWCUT WITHIN 48 HOURS OF POUR
 3. NO TOOLED EDGES

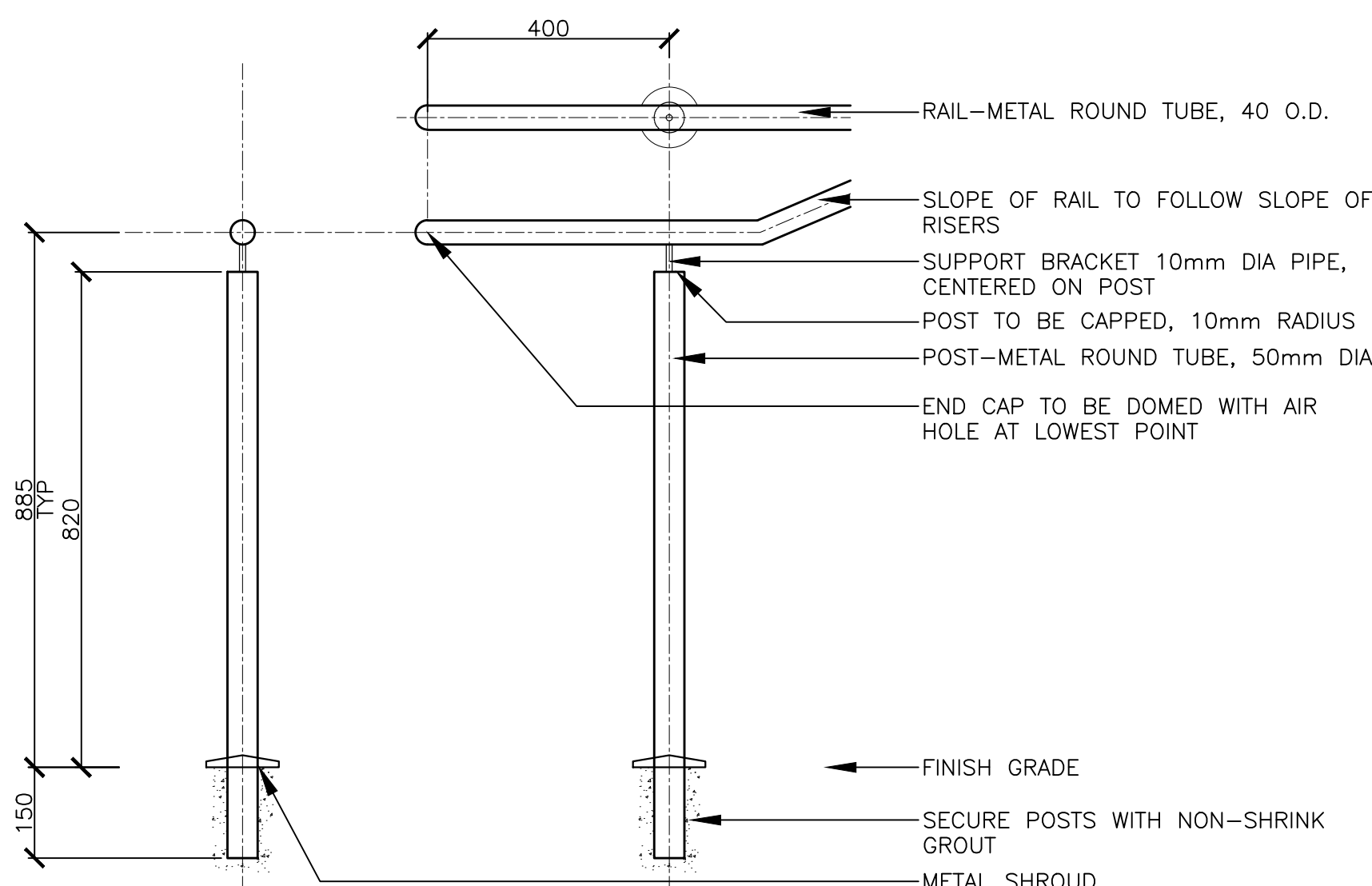


NOTES:
 1. REFER TO DRAWINGS FOR JOINT LAYOUT
 2. ALL STEEL DOWELS TO BE EPOXY - COATED
 3. NO TOOLED EDGES

2 CONCRETE JOINTS 1:10

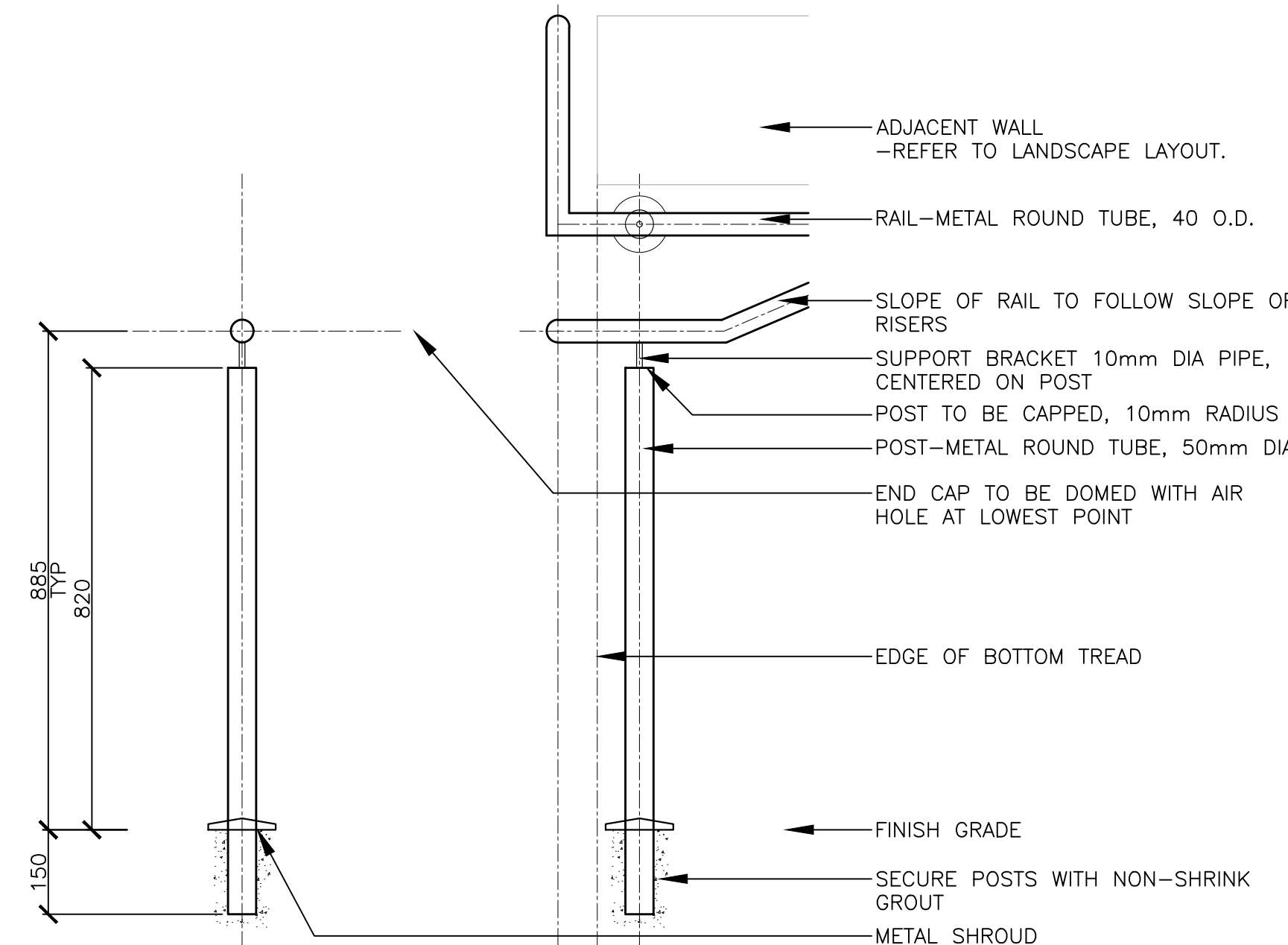


3 LANDSCAPE CURB 1:10



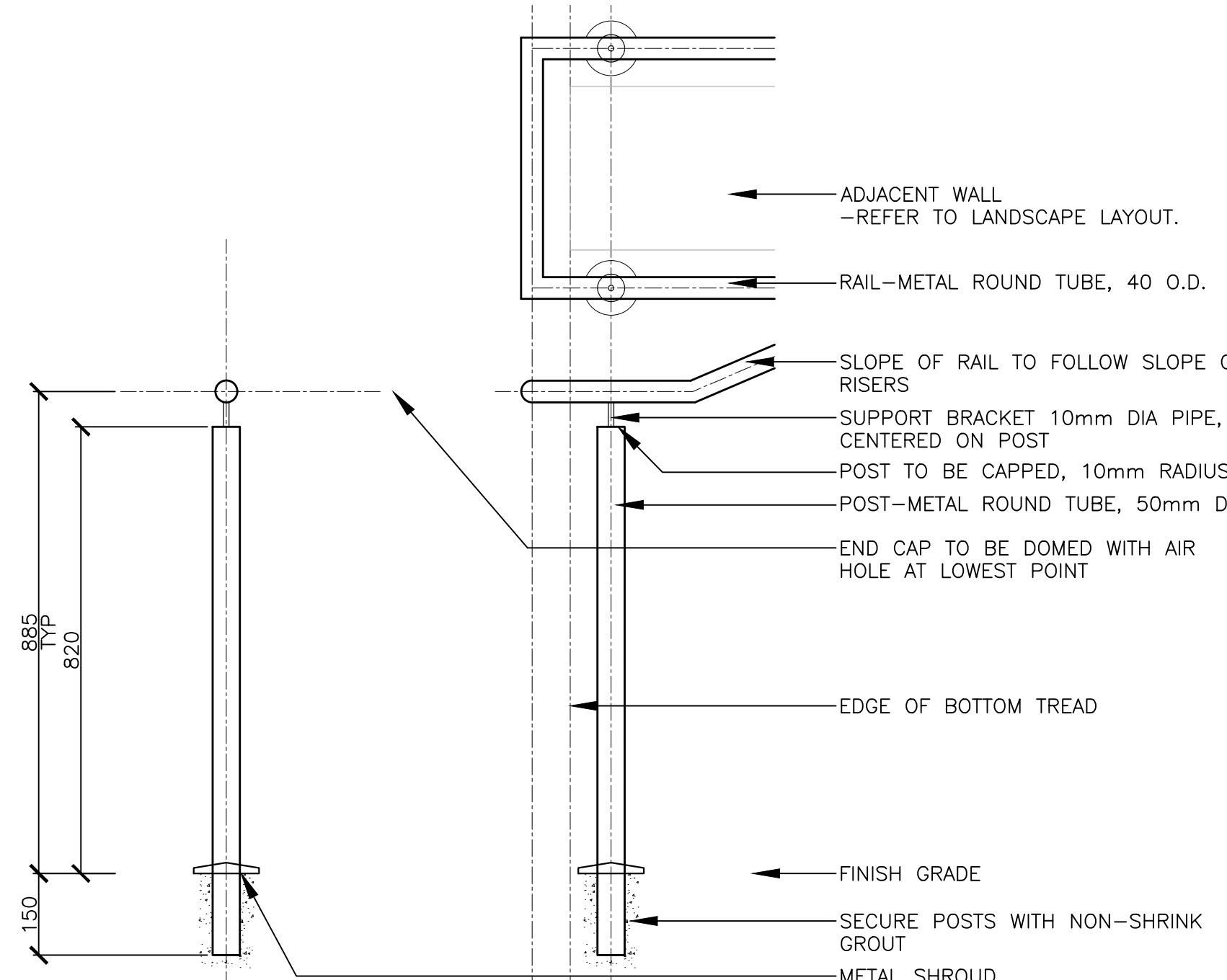
NOTES:
 1. ALL METAL TO BE MARINE GRADE, SAE 316, STAINLESS STEEL - ENSURE IT COVERS GROUT
 2. ALL WELDS TO BE FULL LENGTH AND BOTH SIDES OF ALL METAL SURFACES
 3. GRIND SMOOTH ALL JOINTS AND EDGES
 4. CONTRACTOR TO SUBMIT SHOP DRAWINGS FOR REVIEW PRIOR TO FABRICATION

4 HAND RAIL 1:10



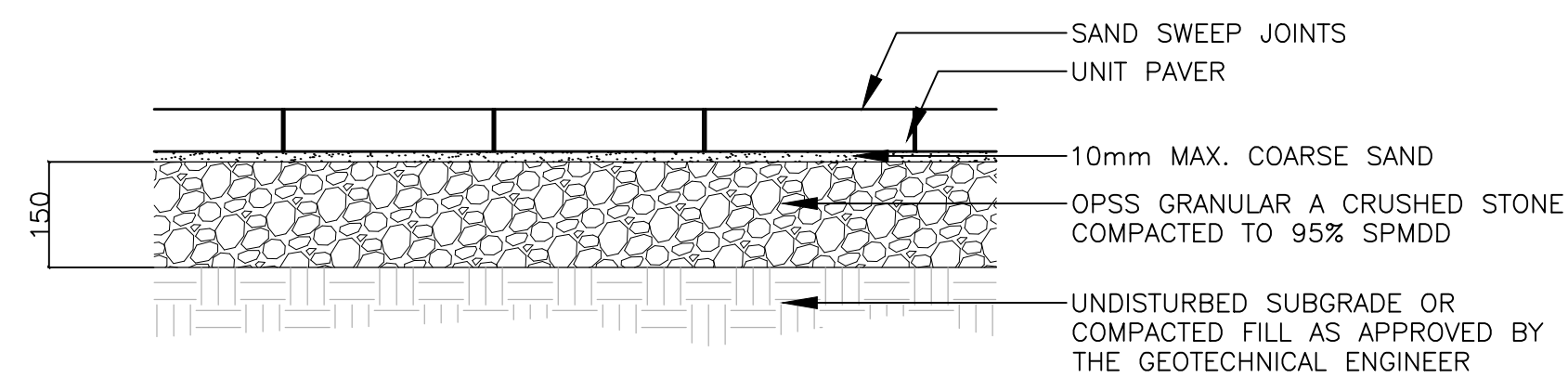
NOTES:
 1. ALL METAL TO BE MARINE GRADE, SAE 316, STAINLESS STEEL
 2. ALL WELDS TO BE FULL LENGTH AND BOTH SIDES OF ALL METAL SURFACES
 3. GRIND SMOOTH ALL JOINTS AND EDGES
 4. CONTRACTOR TO SUBMIT SHOP DRAWINGS FOR REVIEW PRIOR TO FABRICATION

90 DEGREE BEND (ONE-SIDED) 1:10

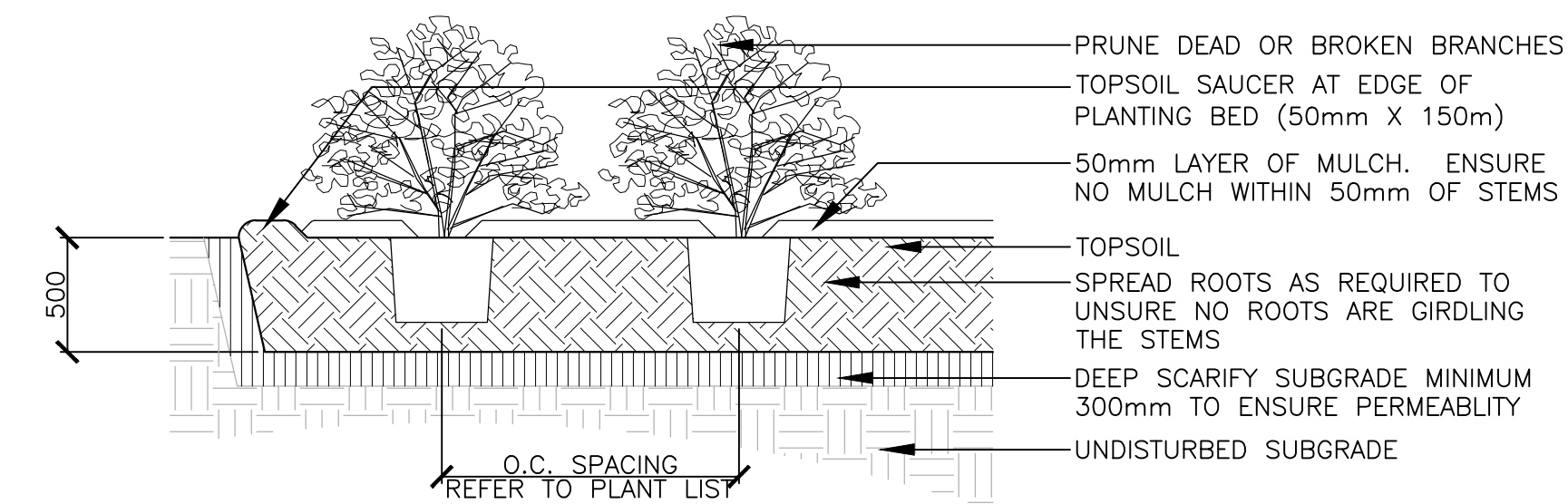


NOTES:
 1. ALL METAL TO BE MARINE GRADE, SAE 316, STAINLESS STEEL
 2. ALL WELDS TO BE FULL LENGTH AND BOTH SIDES OF ALL METAL SURFACES
 3. GRIND SMOOTH ALL JOINTS AND EDGES
 4. CONTRACTOR TO SUBMIT SHOP DRAWINGS FOR REVIEW PRIOR TO FABRICATION

90 DEGREE BEND (TWO-SIDED) 1:10

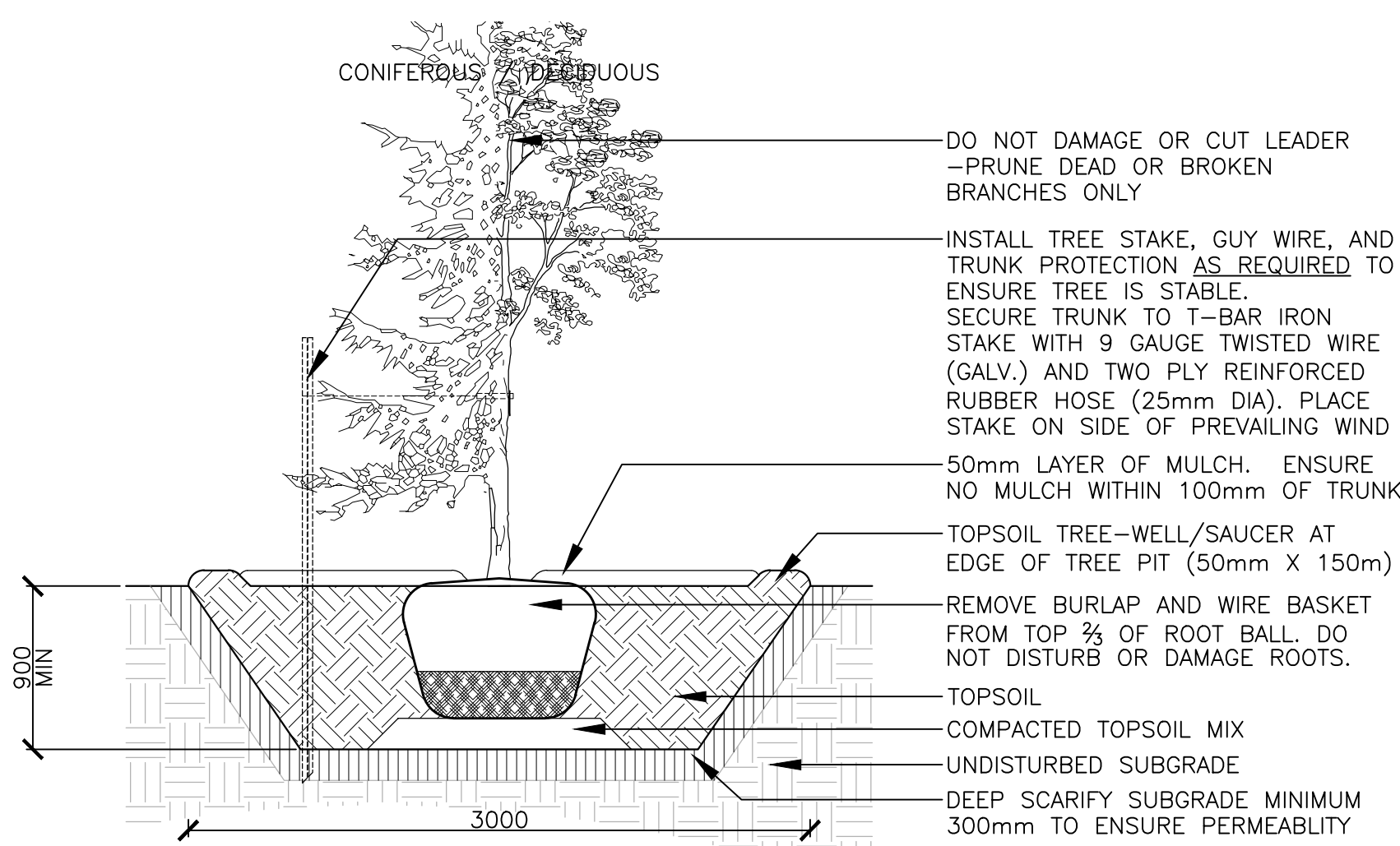


5 UNIT PAVING 1:10



NOTES:
 • TOP OF ROOT BALL TO RETAIN SAME ELEVATION AS GROWING CONDITIONS

6 SHRUB PLANTING 1:30



NOTES:
 • TREE STAKES ARE GENERALLY ARE TO BE USED FOR CONDITIONS WHERE THE INSTALLED TREE IS UNSTABLE AND/OR BECOMES UNSTABLE
 • ALLOW 10mm TO 25mm SLACK ON GUY WIRE SUPPORT FOR TREE
 • TOP OF ROOT BALL TO RETAIN SAME ELEVATION AS GROWING CONDITIONS
 • REMOVE STAKES ONE YEAR AFTER INSTALL
 • INSTALL STAKE BEYOND EDGE OF ROOT BALL

7 TREE PLANTING 1:30

No.	Revision	Date
8	RE-ISSUED FOR SPA	26 OCT 2021
7	RE-ISSUED FOR SPA	09 AUG 2021
6	RE-ISSUED FOR SPA	09 JUN 2021
5	RE-ISSUED FOR SPA	12 FEB 2021
4	RE-ISSUED FOR SPA	03 SEPT 2020
3	RE-ISSUED FOR SPA	10 AUG 2020
2	ISSUED FOR SPA	17 JULY 2020
1	ISSUED FOR COORDINATION	10 JULY 2020

North:

Stamp:

CSW Landscape Architecture
 Urban Design
 Site Planning
 Recreation and Park Planning
 Project Management

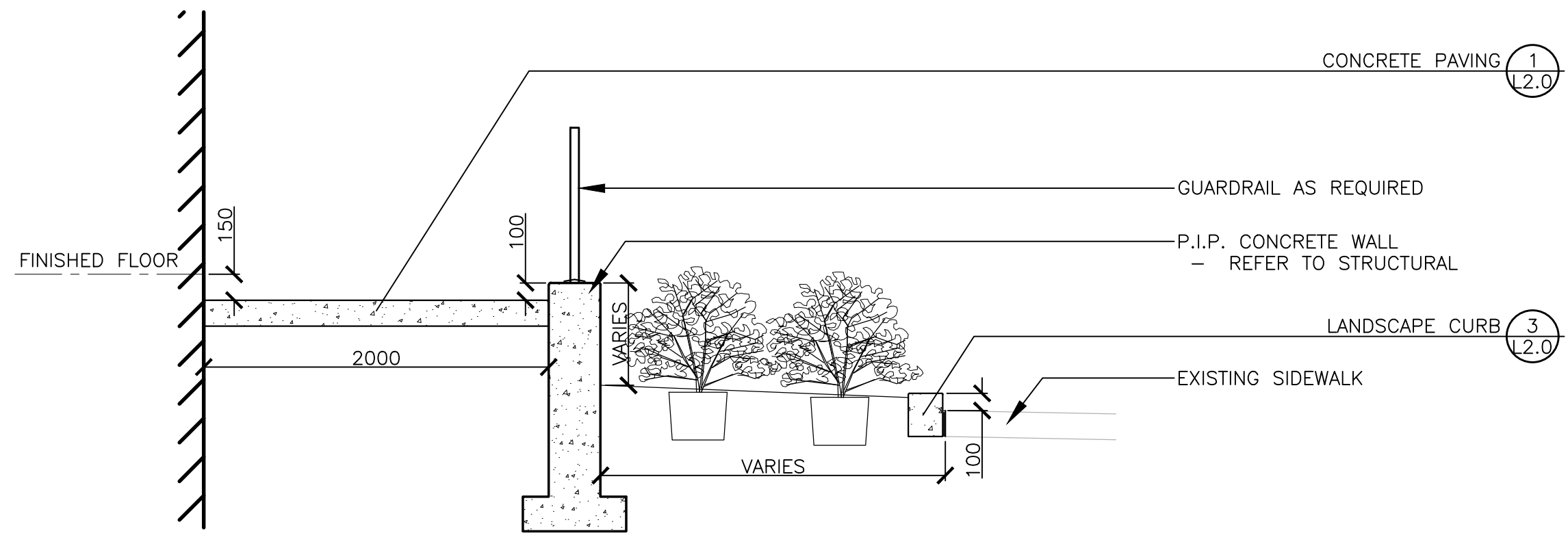
319 McRae Avenue, Suite 502, Ottawa, Ontario, K1Z 0B9
 Tel: (613) 729-4536

- All measurements in millimeters unless specified otherwise. Do not scale drawing. All drawings to be read in conjunction with written specifications.
- Copyright reserved. This drawing is the exclusive property of CSW Landscape Architects Ltd. and shall not be used without the consent thereof.
- This Drawing may not be used for construction until signed by the landscape architect. It is the responsibility of the contractor to:
 - check and verify all dimensions on site;
 - report all errors and/or omissions to the landscape architect;
 - comply with all pertinent codes and by-laws;
 - check and verify locations of all underground services with all local utilities prior to any digging.

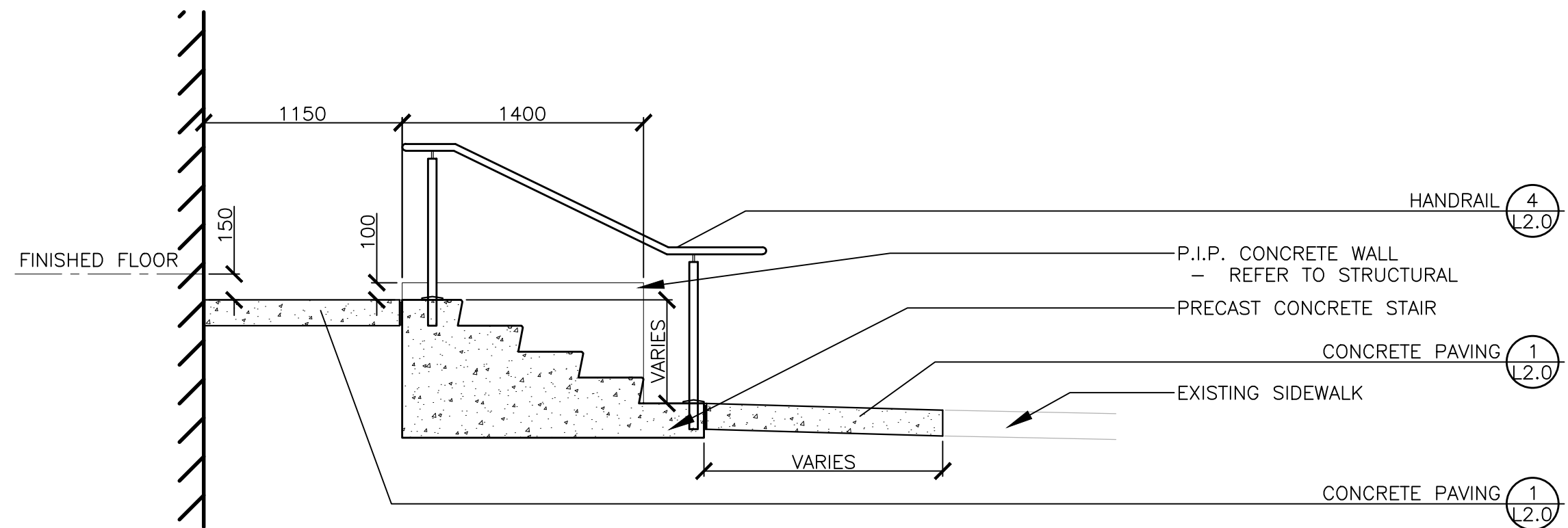
Project:
200 BARIBEAU STREET RESIDENTIAL DEVELOPMENT
 200 BARIBEAU STREET
 OTTAWA, ONTARIO

Drawing:
LANDSCAPE DETAILS

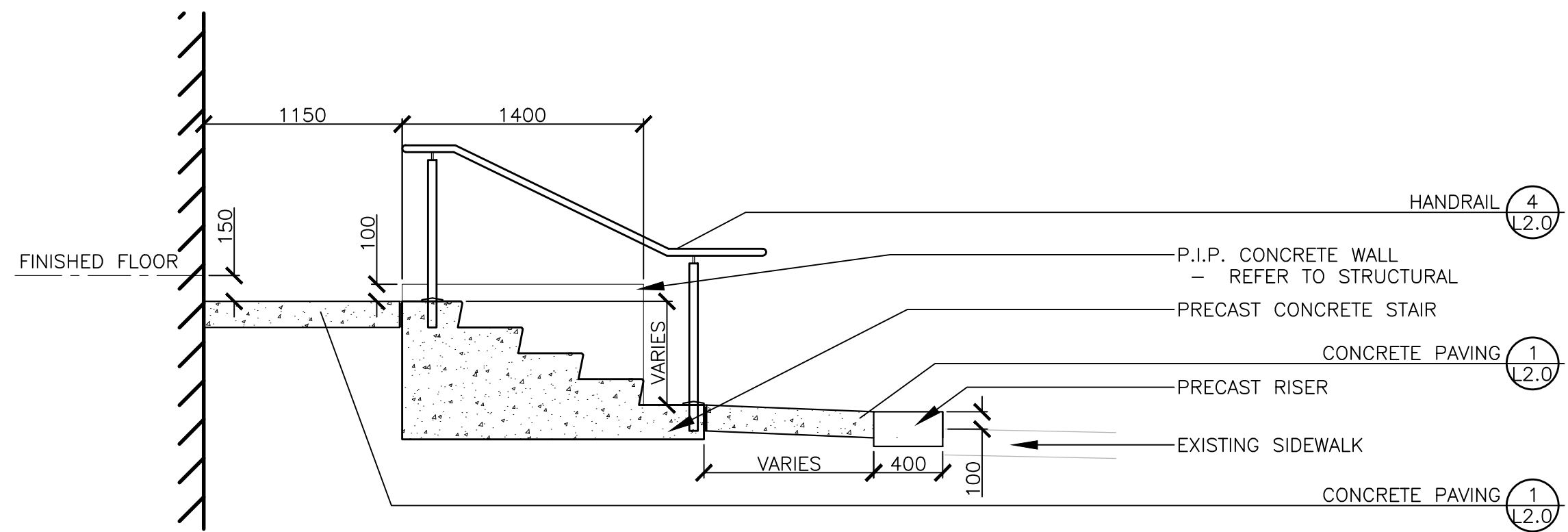
Scale: AS NOTED	Date: JULY 06 2020
Design By: SMc	Drawn By: SMc
Project Number: 2053-01	Sheet Number: L 2.0



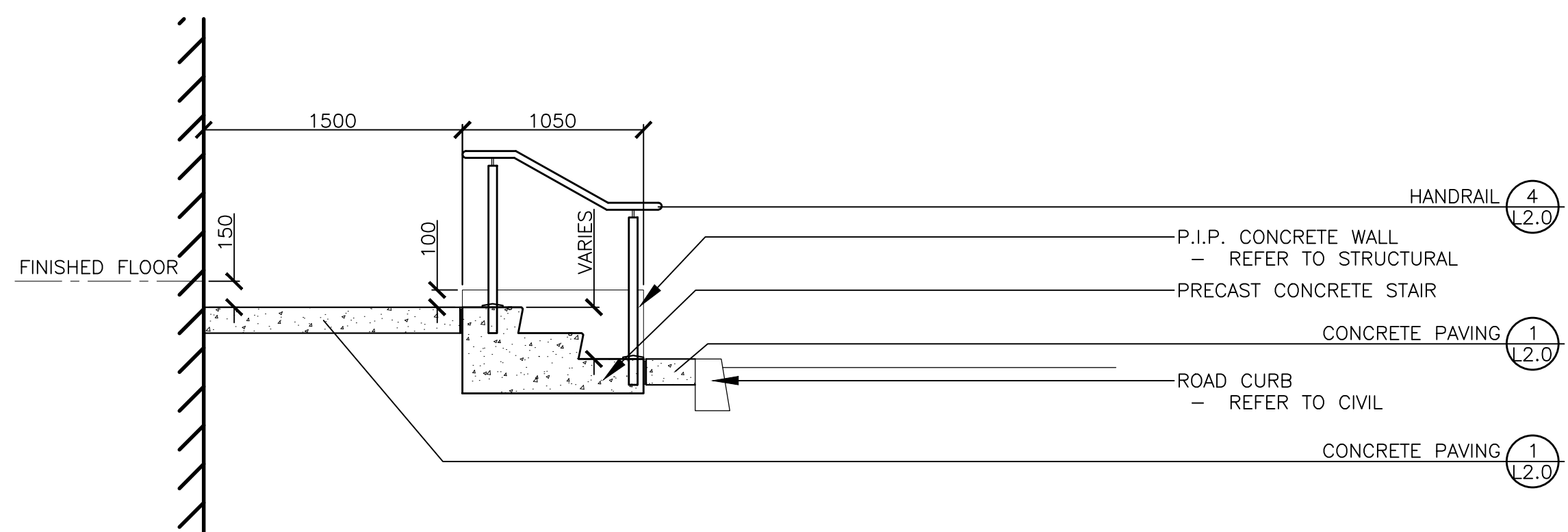
1 CROSS SECTION A- UNITS C, D, E & F 1:30



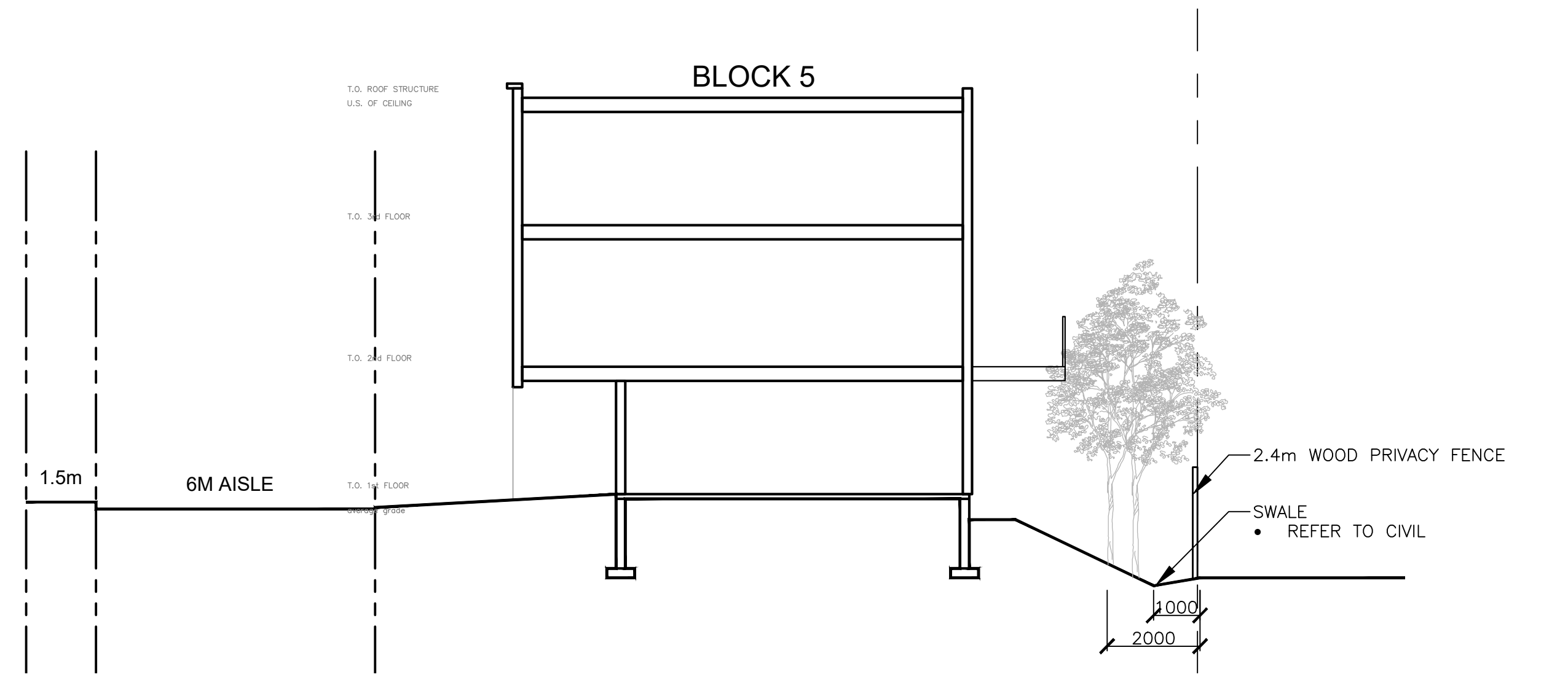
2 CROSS SECTION B- UNITS C, D, E & F 1:30



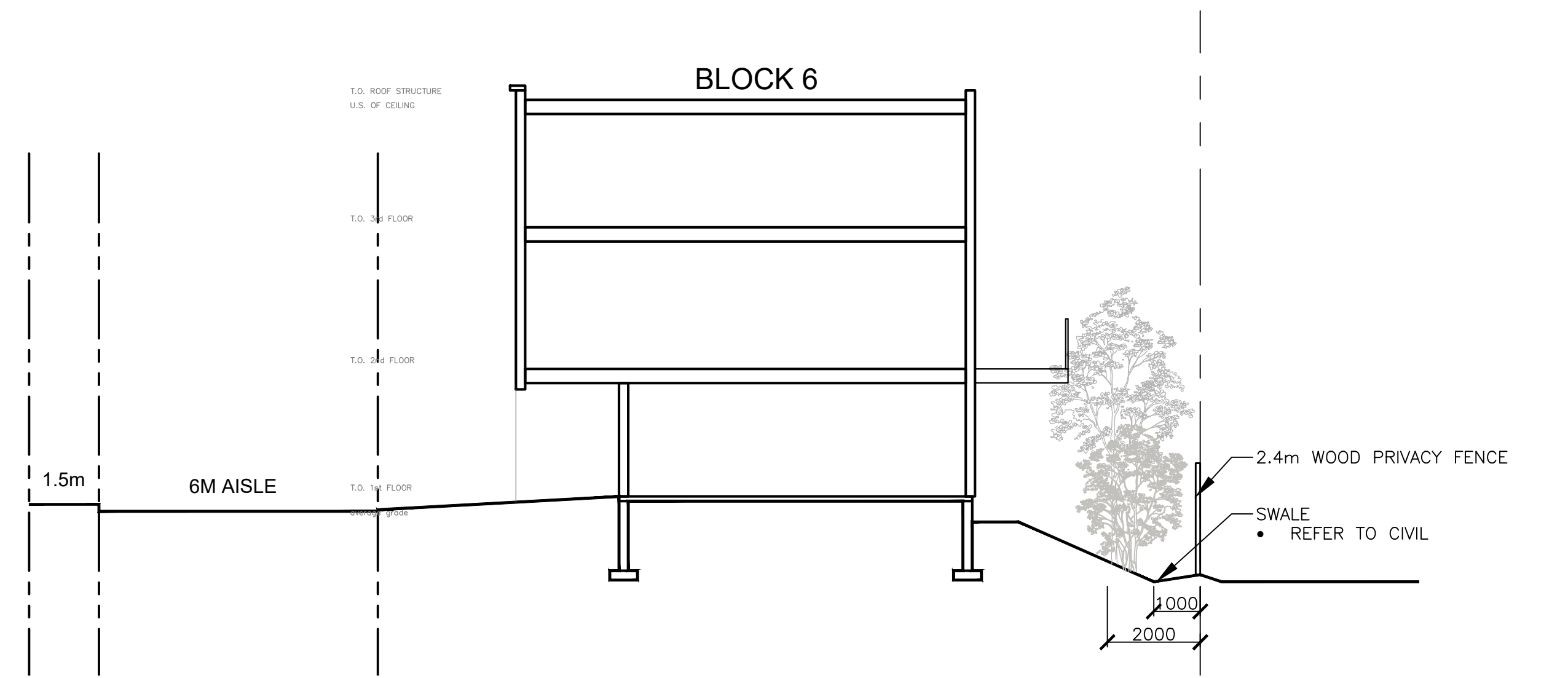
3 CROSS SECTION C- UNITS E, F 1:30



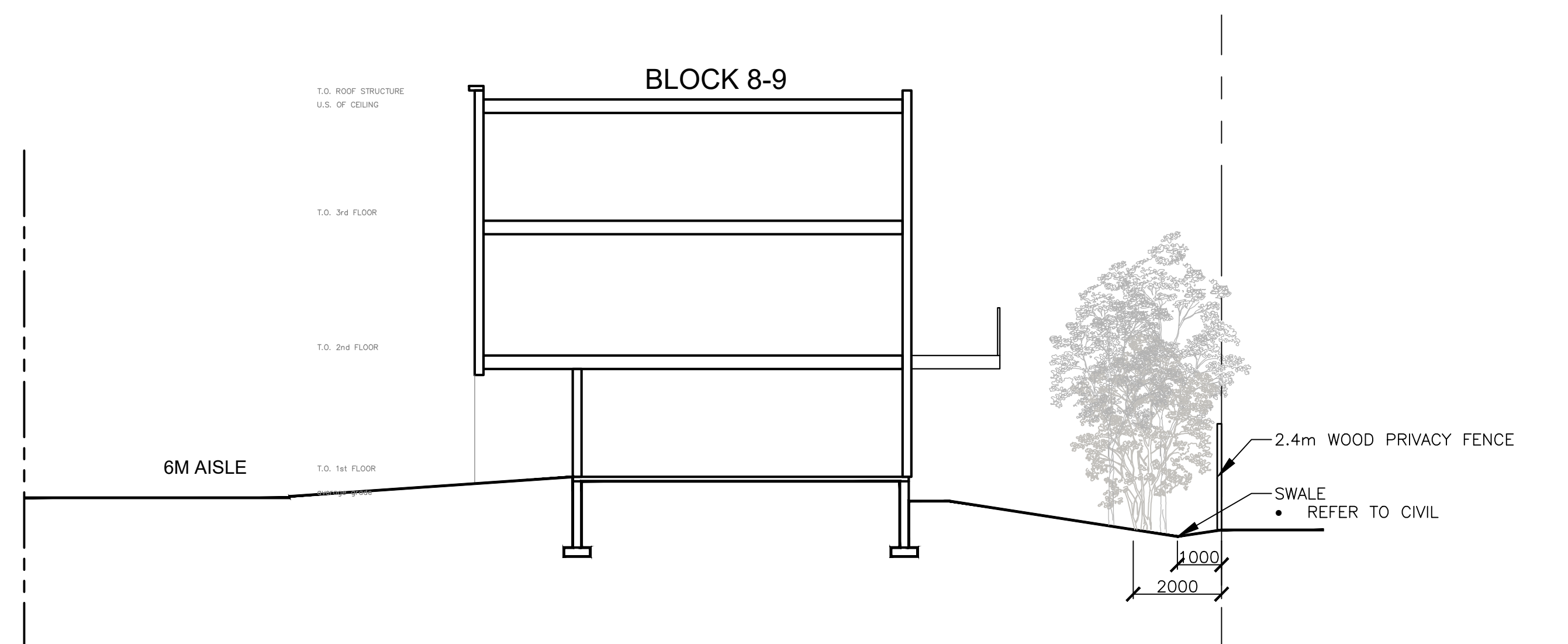
4 CROSS SECTION - UNIT H 1:30



5 BLOCKS 5 CROSS SECTION Scale: 1:100



6 BLOCKS 6 CROSS SECTION Scale: 1:100



7 BLOCKS 8-9 CROSS SECTION Scale: 1:100

Key Plan

No.	Revision	Date
8	RE-ISSUED FOR SPA	26 OCT 2021
7	RE-ISSUED FOR SPA	09 AUG 2021
6	RE-ISSUED FOR SPA	09 JUN 2021
5	RE-ISSUED FOR SPA	12 FEB 2021
4	RE-ISSUED FOR SPA	03 SEPT 2020
3	RE-ISSUED FOR SPA	10 AUG 2020
2	ISSUED FOR SPA	17 JULY 2020
1	ISSUED FOR COORDINATION	10 JULY 2020

North:

Stamp:

CSW Landscape Architecture
 Urban Design
 Site Planning
 Recreation and Park Planning
 Project Management

319 McRae Avenue, Suite 502, Ottawa, Ontario, K1Z 0B9
 Tel: (613) 729-4536

- All measurements in millimeters unless specified otherwise. Do not scale drawing. All drawings to be read in conjunction with written specifications.
- Copyright reserved. This drawing is the exclusive property of CSW Landscape Architects Ltd. and shall not be used without the consent thereof.
- This Drawing may not be used for construction until signed by the landscape architect. It is the responsibility of the contractor to:
 - check and verify all dimensions on site;
 - report all errors and/or omissions to the landscape architect;
 - comply with all pertinent codes and by-laws;
 - check and verify locations of all underground services with all local utilities prior to any digging.

Project:
**200 BARIBEAU STREET
 RESIDENTIAL DEVELOPMENT**

200 BARIBEAU STREET
 OTTAWA, ONTARIO

Drawing:
LANDSCAPE SECTIONS

Scale: AS NOTED	Date: JULY 06 2020
Design By: SMc	Drawn By: SMc
Project Number: 2053-01	Sheet Number: L 2.1