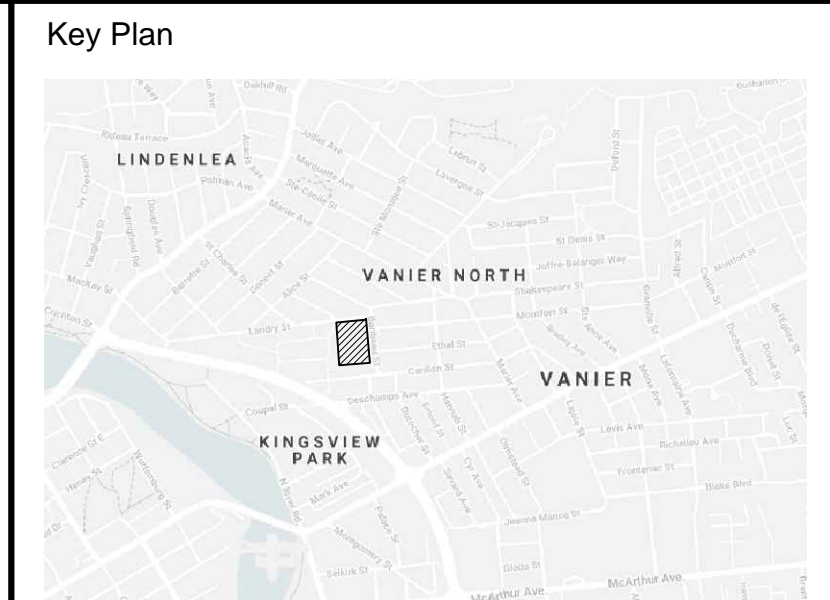


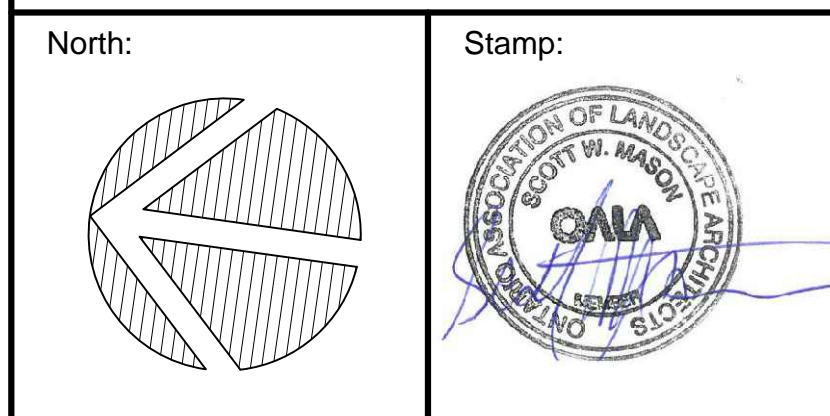
SYM.	BOTANICAL NAME	COMMON NAME	QTY.	SIZE	REMARKS
PLANT LIST					
LARGE DECIDUOUS TREES					
AF	ACER FREEMANII 'CELZAM'	CELEBRATION MAPLE	13	70mm CAL.	B&B / W.B.
PT	POPULUS TREMULOIDES	TREMBLING ASPEN	--	40mm CAL.	BAREROOT
QR1	QUERCUS RUBRA	RED OAK	7	70mm CAL.	B&B / W.B. PLANT IN SPRING
QR2	QUERCUS RUBRA	RED OAK	--	40mm CAL.	BAREROOT
TA	TILIA AMERICANA	AMERICAN LINDEN	--	40mm CAL.	BAREROOT
SMALL DECIDUOUS TREES					
AP	ACER PLATANOIDES 'COLUMARE'	COLUMNAR NORWAY MAPLE	14	1800mm HT.	B&B / W.B.
QR	QUERCUS ROBUR 'FASTIGIATA'	COLUMNAR ENGLISH OAK	11	1800mm HT.	B&B / W.B.
RT	RHUS TYPHINA	STAGHORN SUMAC	--	600mm HT.	WHIP/BAREROOT, 1.2m O.C.
CONIFEROUS TREES					
JS	JUNIPERUS HORIZONTALIS 'SKYROCKET'	SKYROCKET JUNIPER	8	1800mm HT.	B&B / W.B.
TO	THUJA OCCIDENTALIS	EASTERN WHITE CEDAR	--	40mm CAL.	BAREROOT
SHRUBS					
JH	JUNIPERUS HORIZONTALIS 'PLUMOSA COMPACTA'	COMPACT ANDORA JUNIPER	--	600mm SPR.	POT. 750mm O.C.
SB	SPIREA X BUMALDA 'GOLDFLAME'	GOLDFLAME SPIREA	--	500mm HT.	POT. 600mm O.C.
SS	SORBARIA SORBIFOLIA	FALSE SPIREA	--	500mm HT.	POT. 900mm O.C.
RA	RHUS AROMATICA 'GRO-LOW'	GRO-LOW FRAGRANT SUMAC	--	1 GAL. POT	POT. 600mm O.C.
PERENNIALS AND GRASSES					
HS	HEMEROCALLIS 'STELLA D'ORO'	STELL D'ORO DAYLILY	--	1 GAL. POT	POT. 400mm O.C.
MS	MISCANTHUS SIN. 'GRACILLIMUS'	MAIDEN GRASS	--	1 GAL. POT	POT. 600mm O.C.
PV	PANICUM VIRGATUM	SWITCH GRASS	--	1 GAL. POT	POT. 600mm O.C.



LEGEND

- ⊕ PROPOSED LARGE DECIDUOUS TREES
- ⊙ PROPOSED SMALL DECIDUOUS TREES
- ⊗ PROPOSED CONIFEROUS TREES
- ⊘ 40mm CAL. TREES
- ⊞ SHRUB / PERENNIAL PLANTING

No.	Revision	Date
6	RE-ISSUED FOR SPA	09 JUN 2021
5	RE-ISSUED FOR SPA	12 FEB 2021
4	RE-ISSUED FOR SPA	03 SEPT 2020
3	RE-ISSUED FOR SPA	10 AUG 2020
2	ISSUED FOR SPA	17 JULY 2020
1	ISSUED FOR COORDINATION	10 JULY 2020



CSW Landscape Architecture
 Urban Design
 Site Planning
 Recreation and Park Planning
 Project Management

319 McRae Avenue, Suite 502, Ottawa, Ontario, K1Z 0B9
 Tel: (613) 729-4536

- All measurements in millimeters unless specified otherwise. Do not scale drawing. All drawings to be read in conjunction with written specifications.
- Copyright reserved. This drawing is the exclusive property of CSW Landscape Architects Ltd. and shall not be used without the consent thereof.
- This Drawing may not be used for construction until signed by the landscape architect. It is the responsibility of the contractor to:
 - check and verify all dimensions on site;
 - report all errors and/or omissions to the landscape architect;
 - comply with all pertinent codes and by-laws;
 - check and verify locations of all underground services with all local utilities prior to any digging.

Project:
**200 BARBEAU STREET
 RESIDENTIAL DEVELOPMENT**

200 BARBEAU STREET
 OTTAWA, ONTARIO

Drawing:
LANDSCAPE LAYOUT

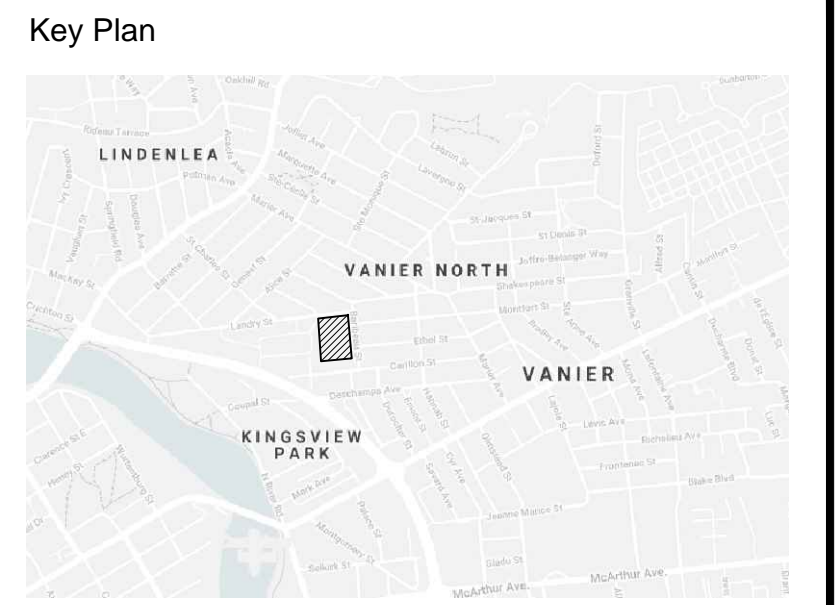
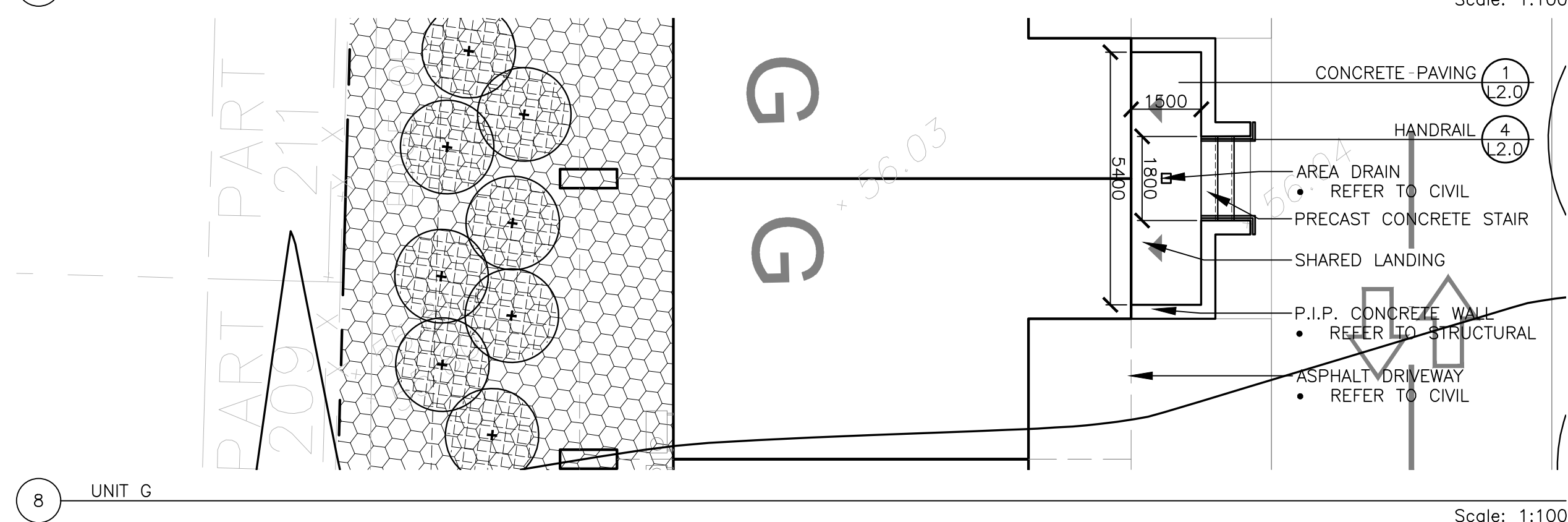
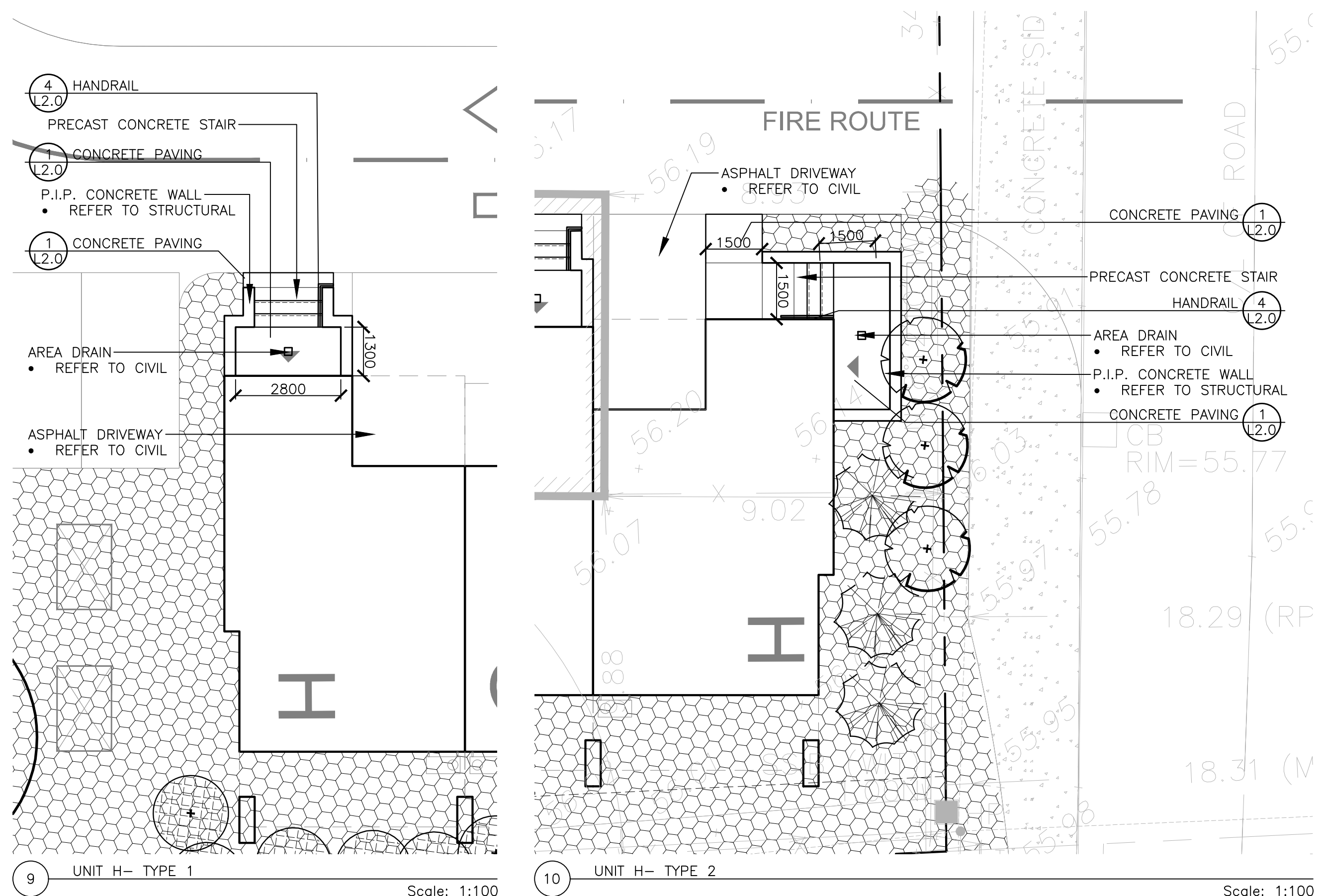
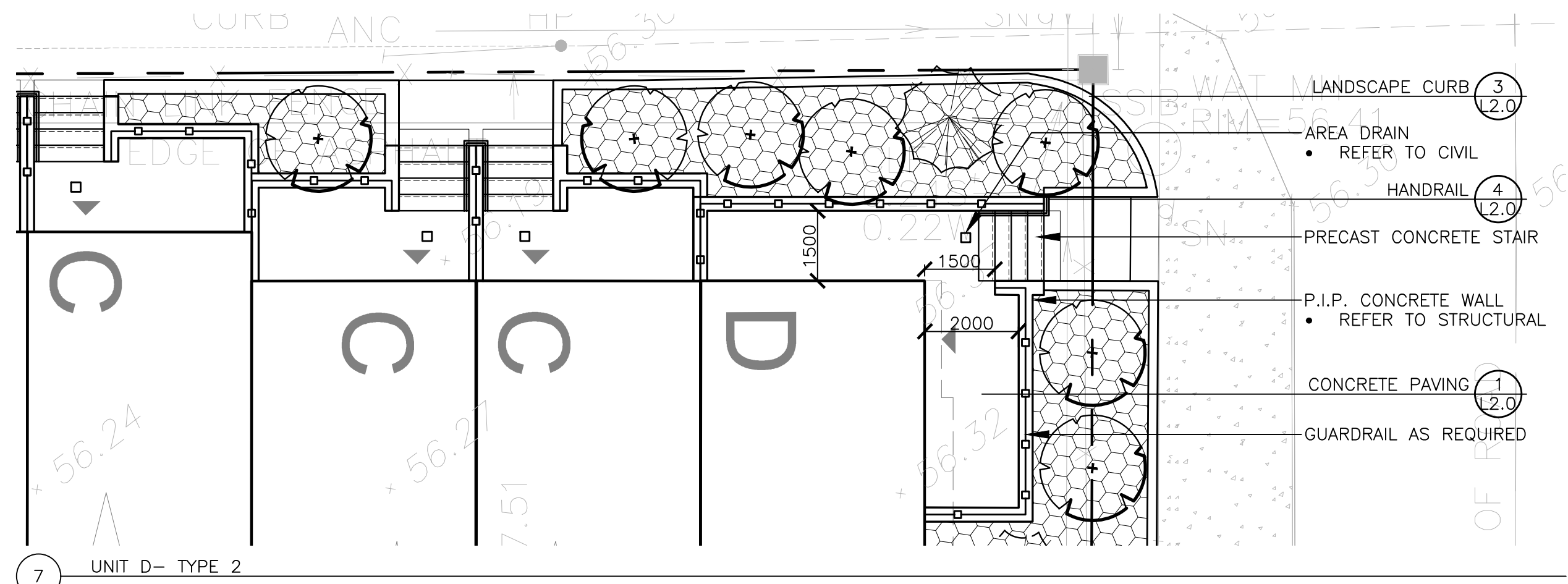
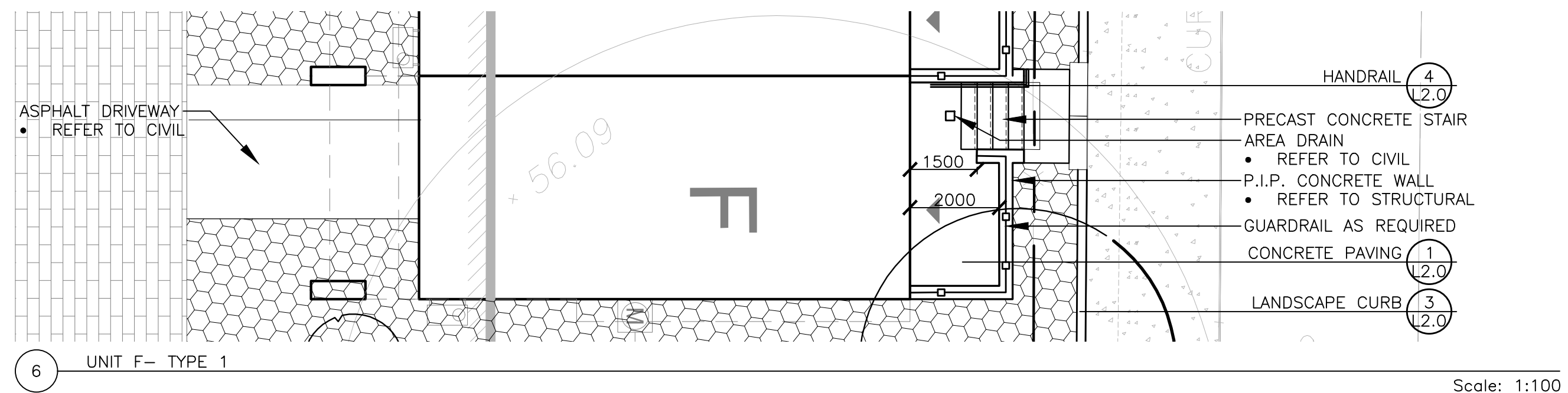
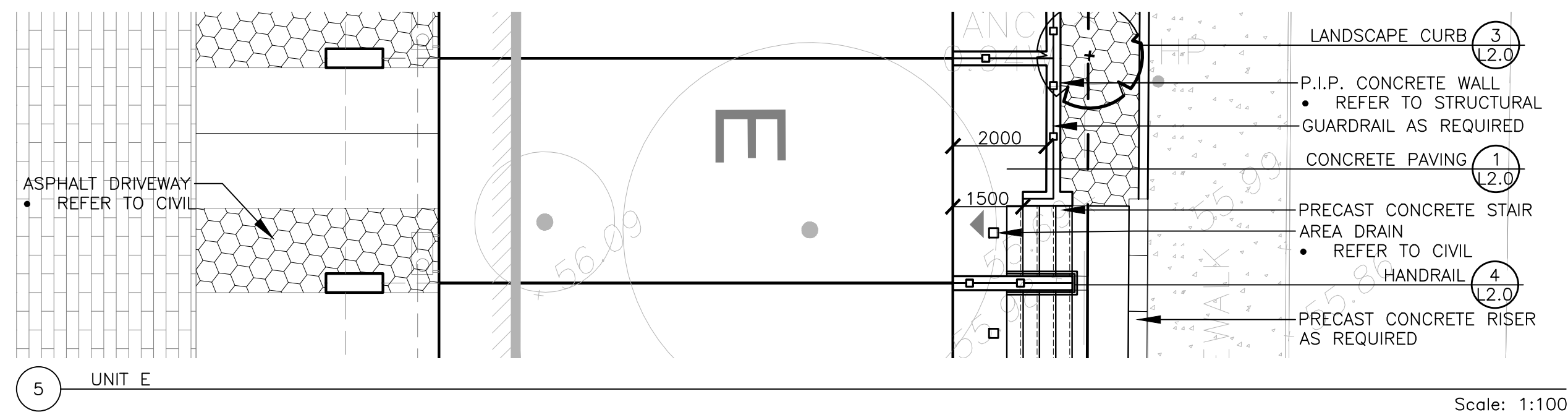
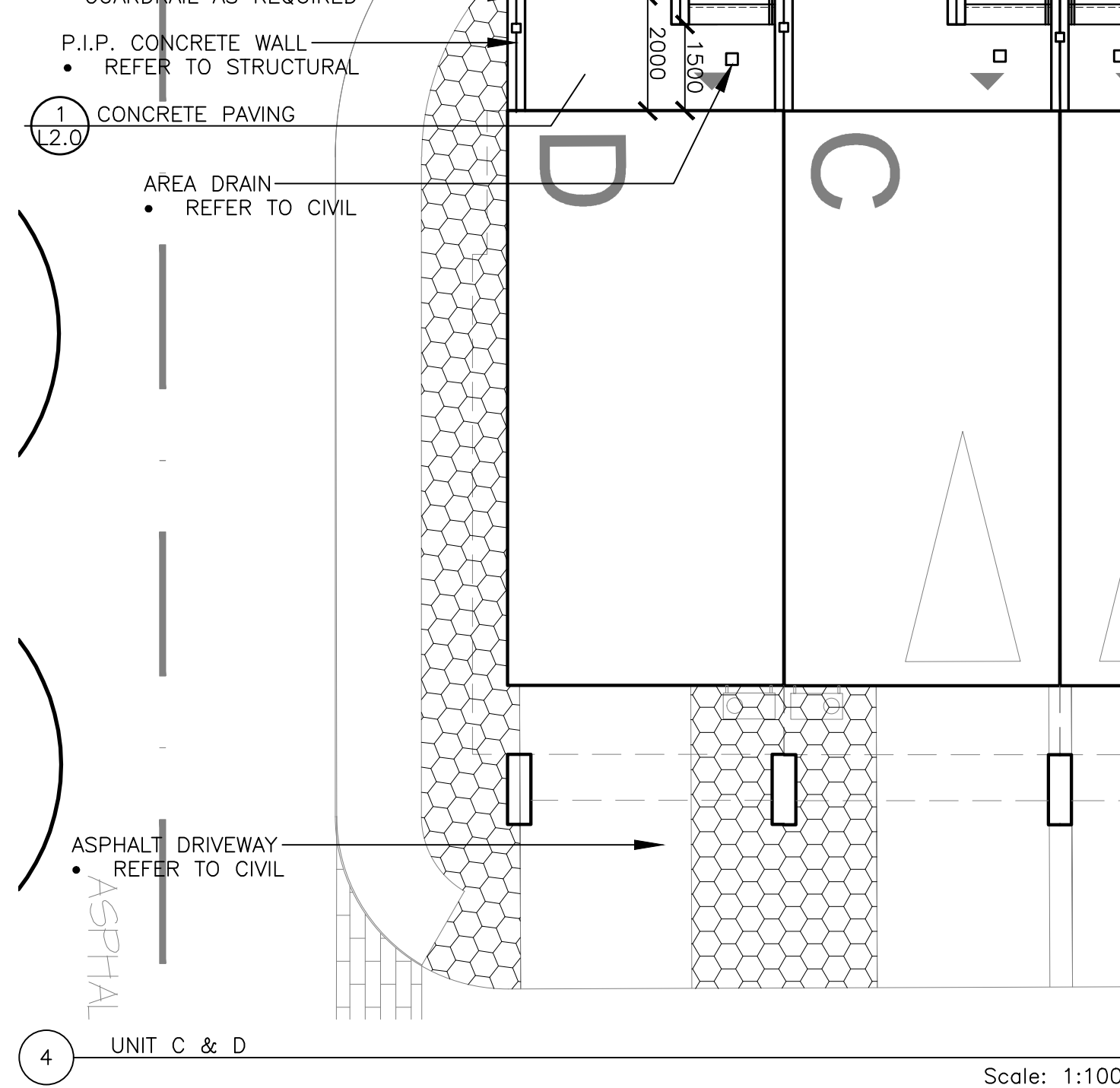
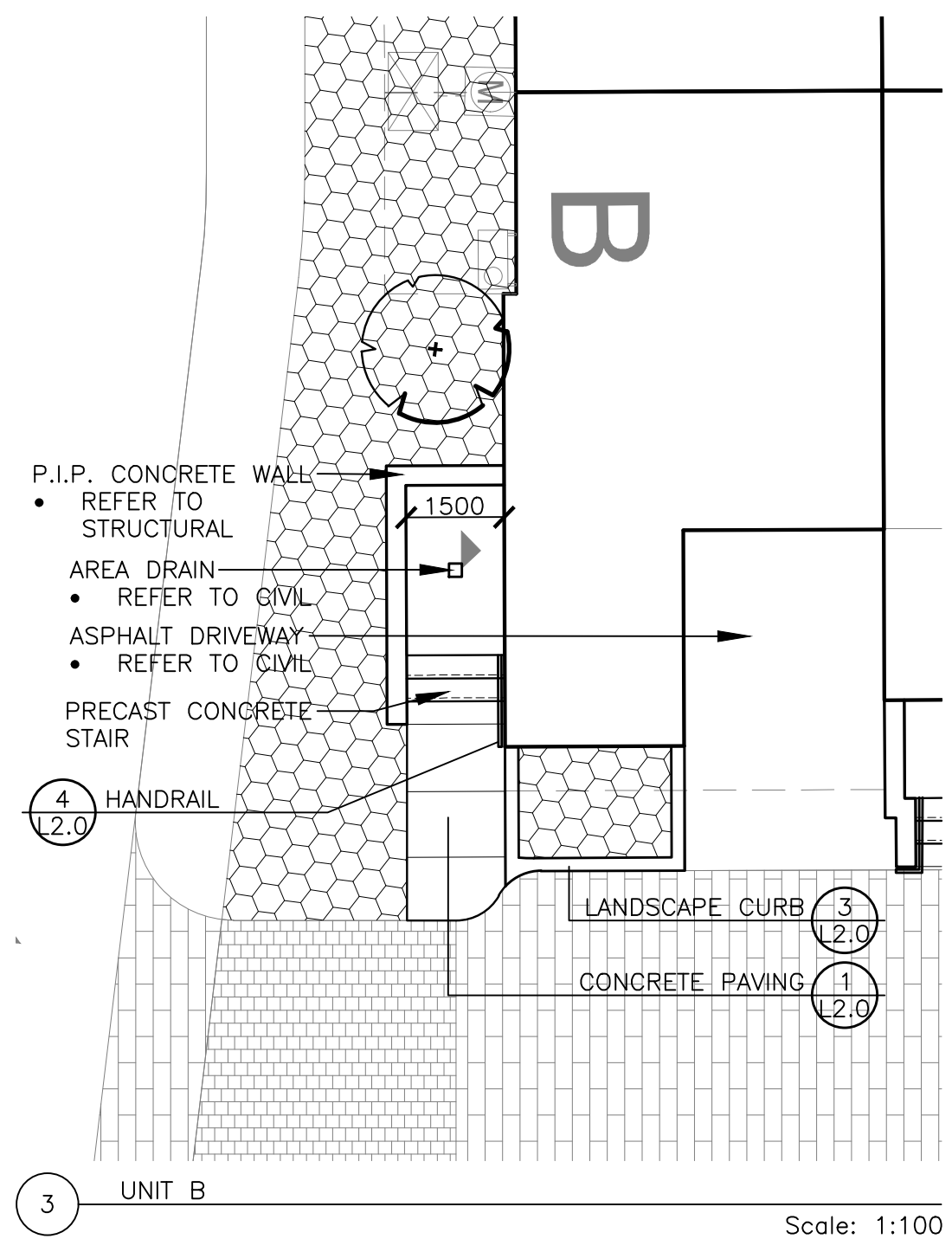
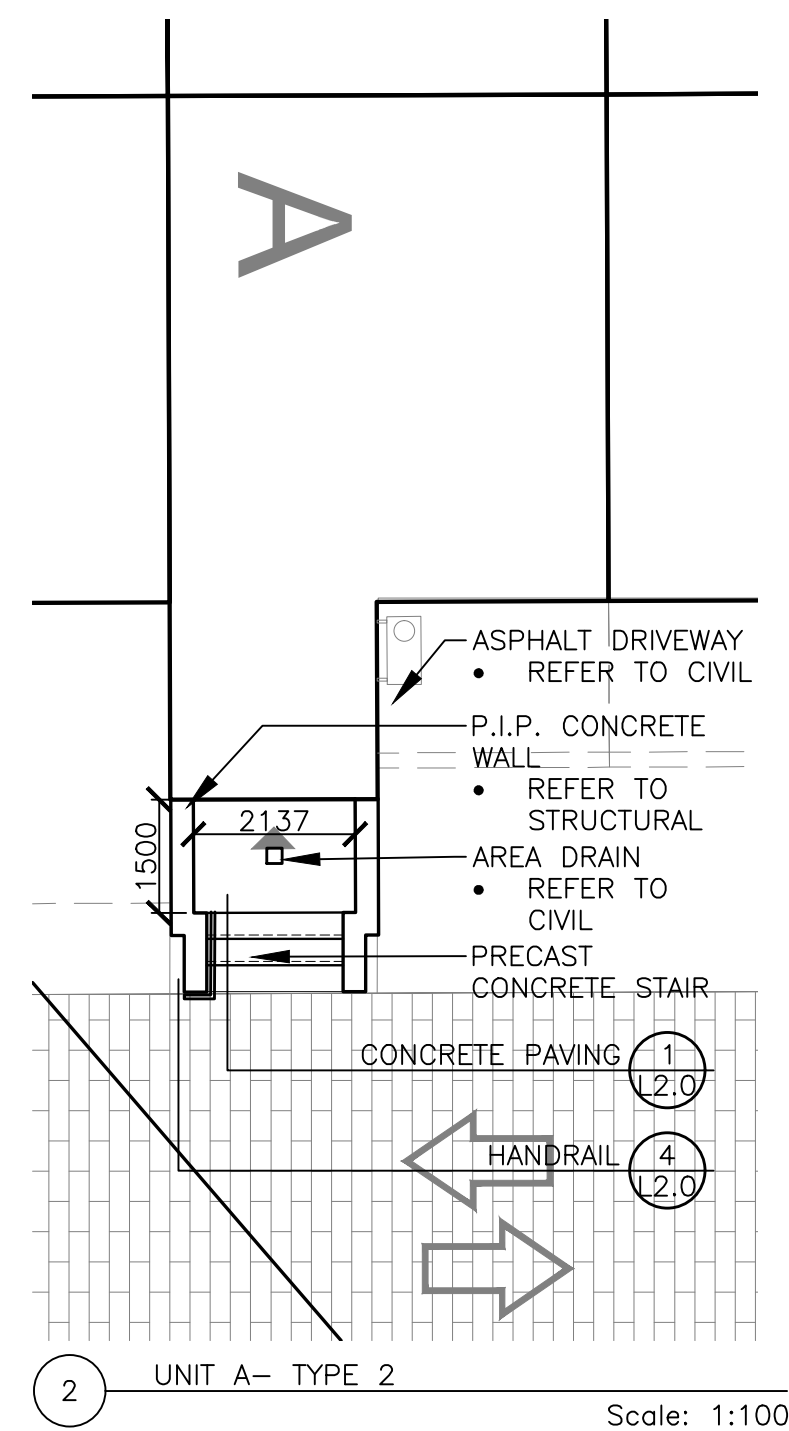
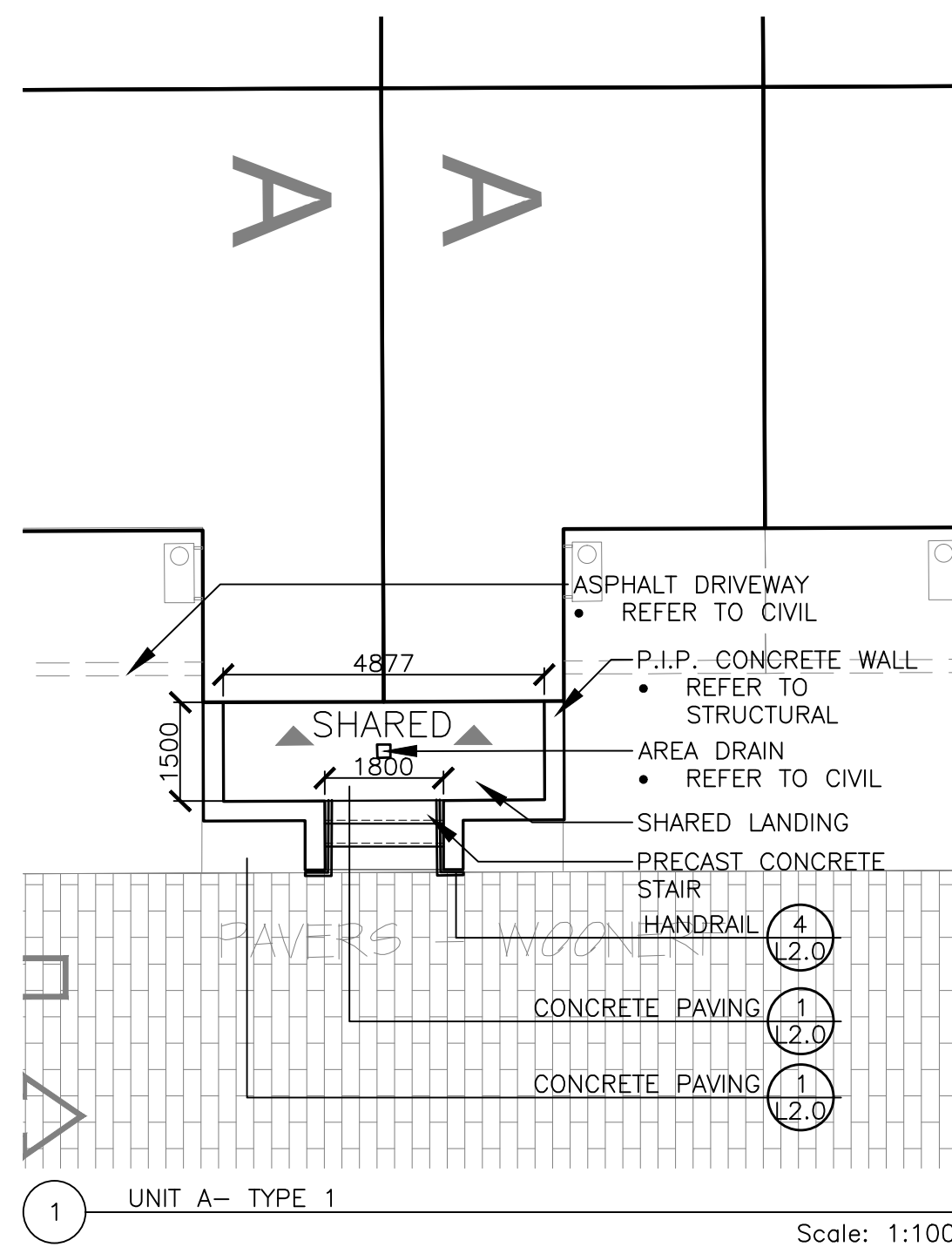
Scale:	1:300	Date:	JULY 06 2020
Design By:	SMc	Drawn By:	SMc
Project Number:	2053-01	Sheet Number:	L 1.0

1 LANDSCAPE LAYOUT

Scale: 1:300



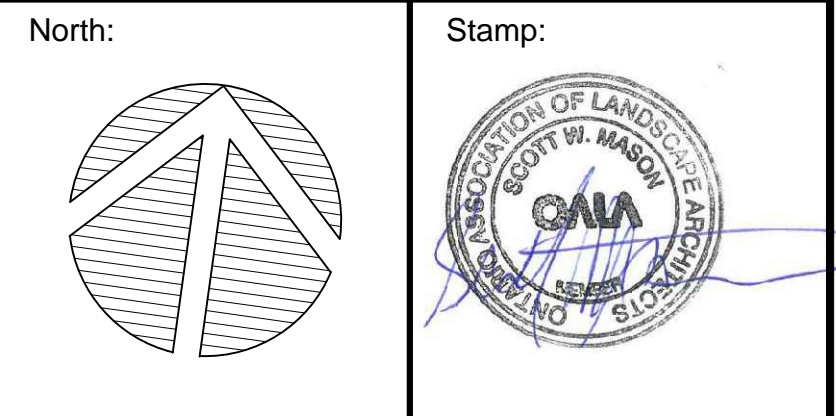
Last Save: 6/9/2021 7:50:14 AM
 File Location: Z:\Projects\2053-01 200 Baribeau Street\Drawings\SPA\SPA_06\2053-01 200 Baribeau Street_SPA\06(Landscape)_Lz.rvt



LEGEND

	PROPOSED LARGE DECIDUOUS TREES
	PROPOSED SMALL DECIDUOUS TREES
	PROPOSED CONIFEROUS TREES
	40mm CAL. TREES
	SHRUB / PERENNIAL PLANTING

No.	Revision	Date
6	RE-ISSUED FOR SPA	09 JUN 2021
5	RE-ISSUED FOR SPA	12 FEB 2021
4	RE-ISSUED FOR SPA	03 SEPT 2020
3	RE-ISSUED FOR SPA	10 AUG 2020
2	ISSUED FOR SPA	17 JULY 2020
1	ISSUED FOR COORDINATION	10 JULY 2020



CSW Landscape Architecture
 Urban Design
 Site Planning
 Recreation and Park Planning
 Project Management

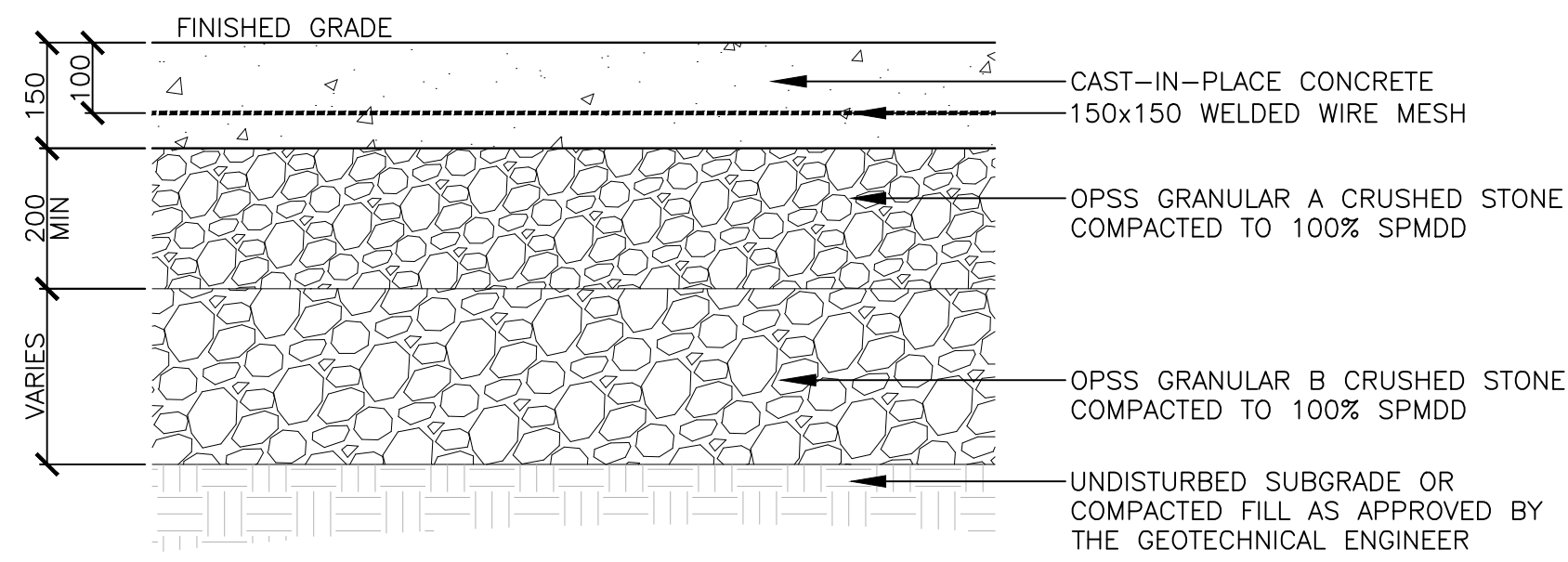
319 McRae Avenue, Suite 502, Ottawa, Ontario, K1Z 0B9
 Tel: (613) 729-4536

- All measurements in millimeters unless specified otherwise. Do not scale drawing. All drawings to be read in conjunction with written specifications.
- Copyright reserved. This drawing is the exclusive property of CSW Landscape Architects Ltd. and shall not be used without the consent thereof.
- This Drawing may not be used for construction until signed by the landscape architect. It is the responsibility of the contractor to:
 - check and verify all dimensions on site;
 - report all errors and/or omissions to the landscape architect;
 - comply with all pertinent codes and by-laws;
 - check and verify locations of all underground services with all local utilities prior to any digging.

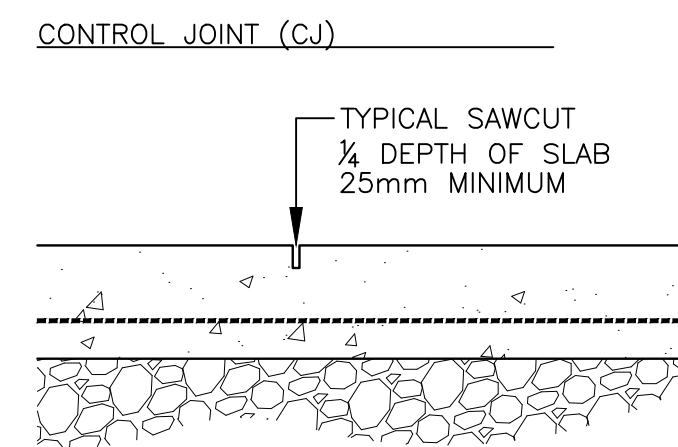
Project:
200 BARIBEAU STREET RESIDENTIAL DEVELOPMENT
 200 BARIBEAU STREET
 OTTAWA, ONTARIO

Drawing:
LANDSCAPE LAYOUT

Scale: AS NOTED	Date: JULY 06 2020
Design By: SMc	Drawn By: SMc
Project Number: 2053-01	Sheet Number: L 1.1

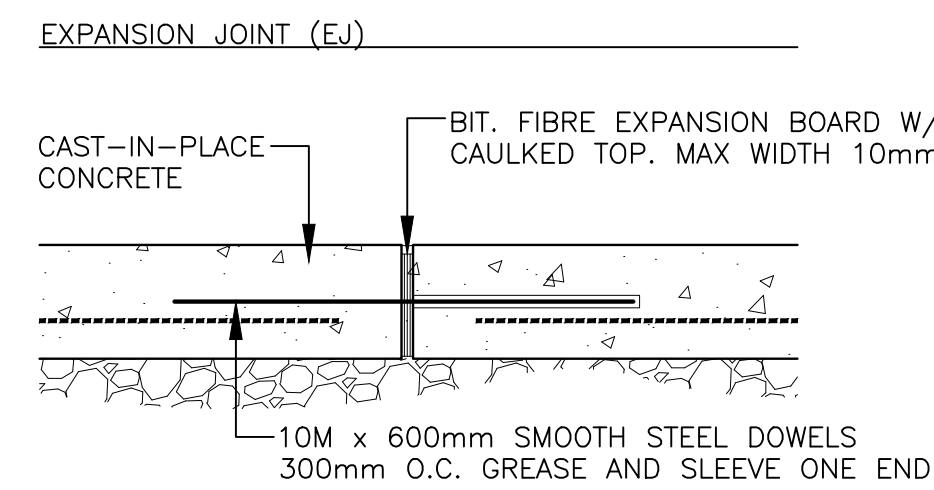


1 CONCRETE PAVING 1:10



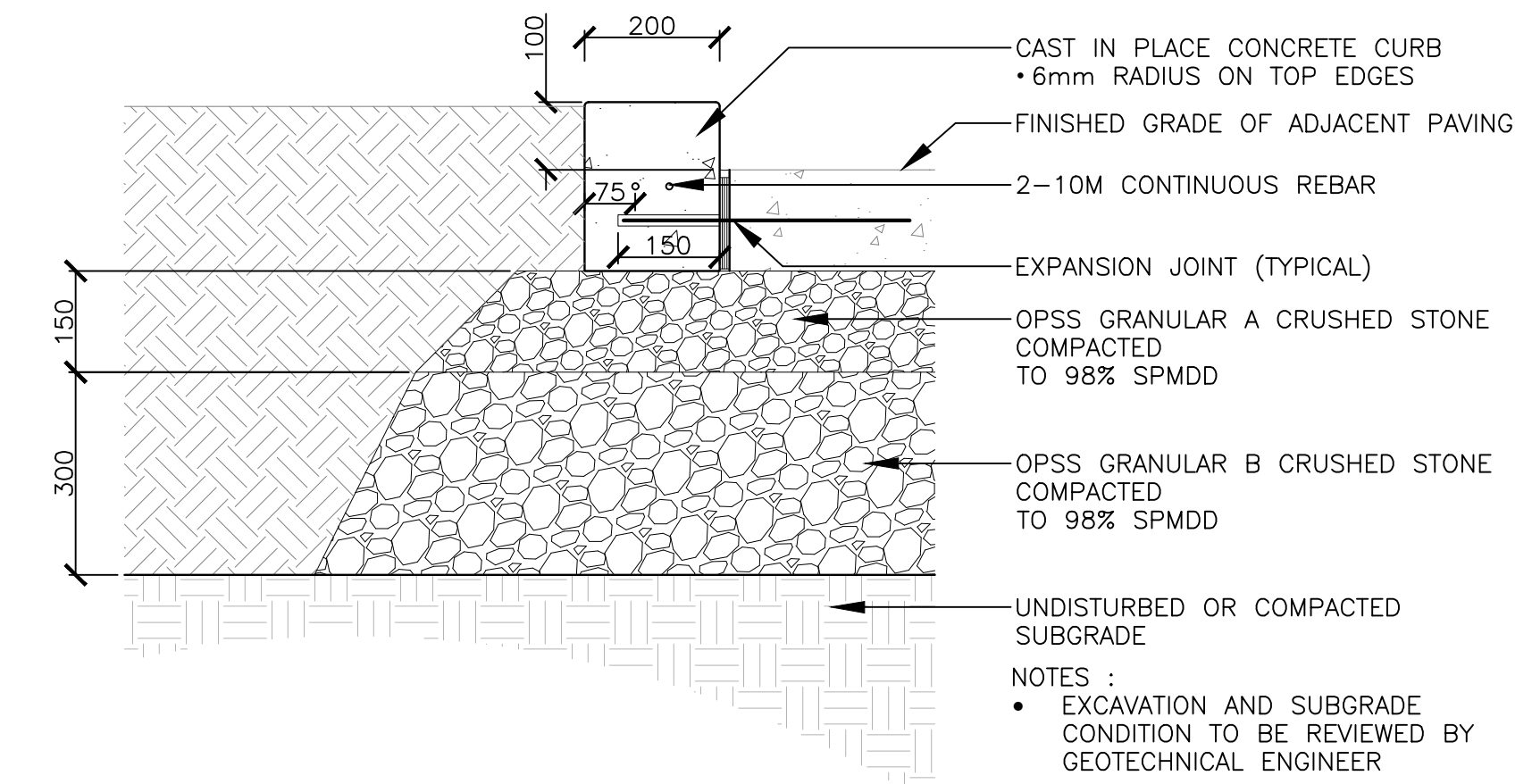
CONTROL JOINT (CJ)
TYPICAL SAWCUT
1/4 DEPTH OF SLAB
25mm MINIMUM

2 CONCRETE JOINTS 1:10

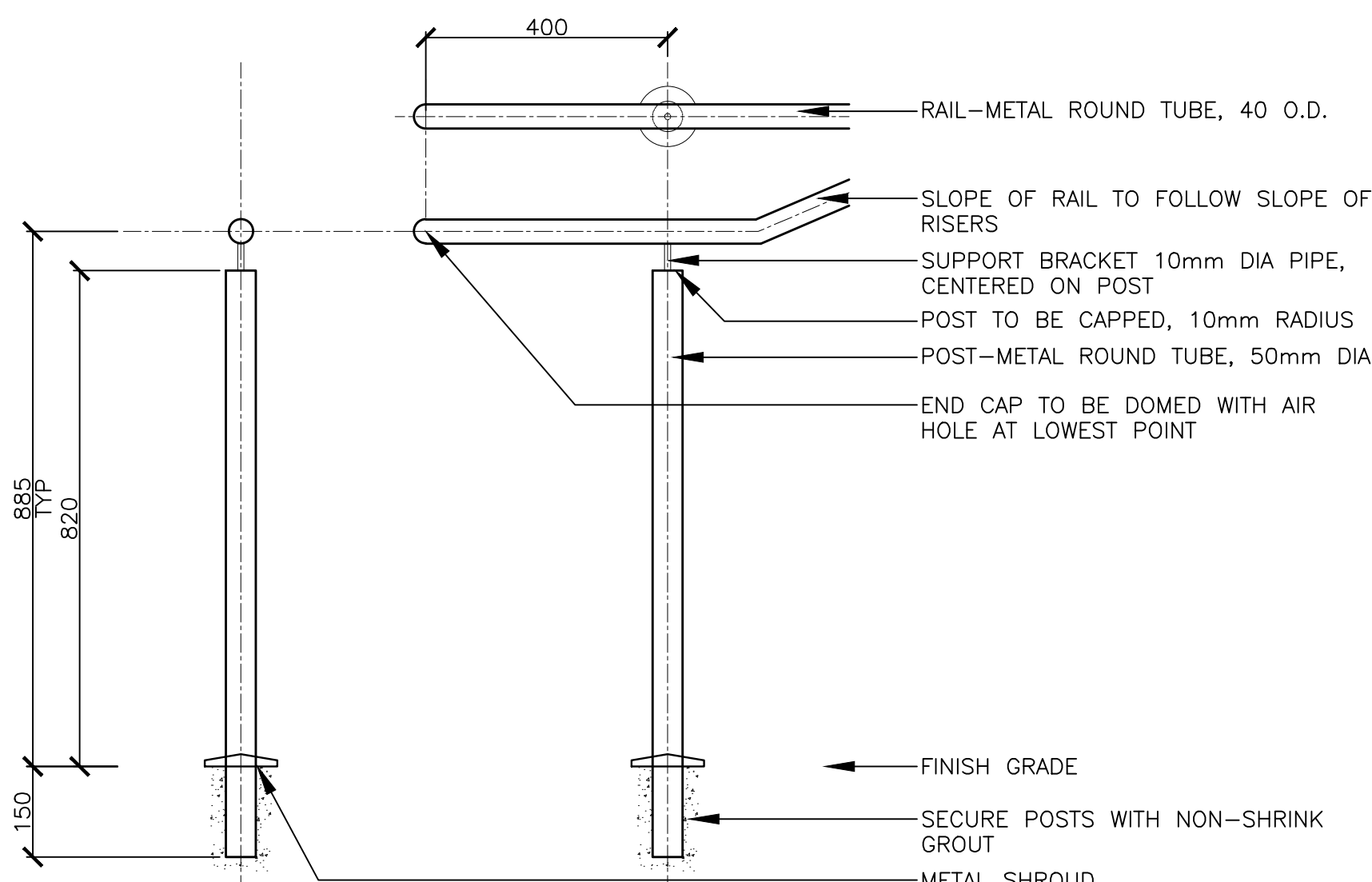


EXPANSION JOINT (EJ)
CAST-IN-PLACE CONCRETE
BIT. FIBRE EXPANSION BOARD W/
CAULKED TOP. MAX WIDTH 10mm
10M x 600mm SMOOTH STEEL DOWELS
300mm O.C. GREASE AND SLEEVE ONE END

2 CONCRETE JOINTS 1:10

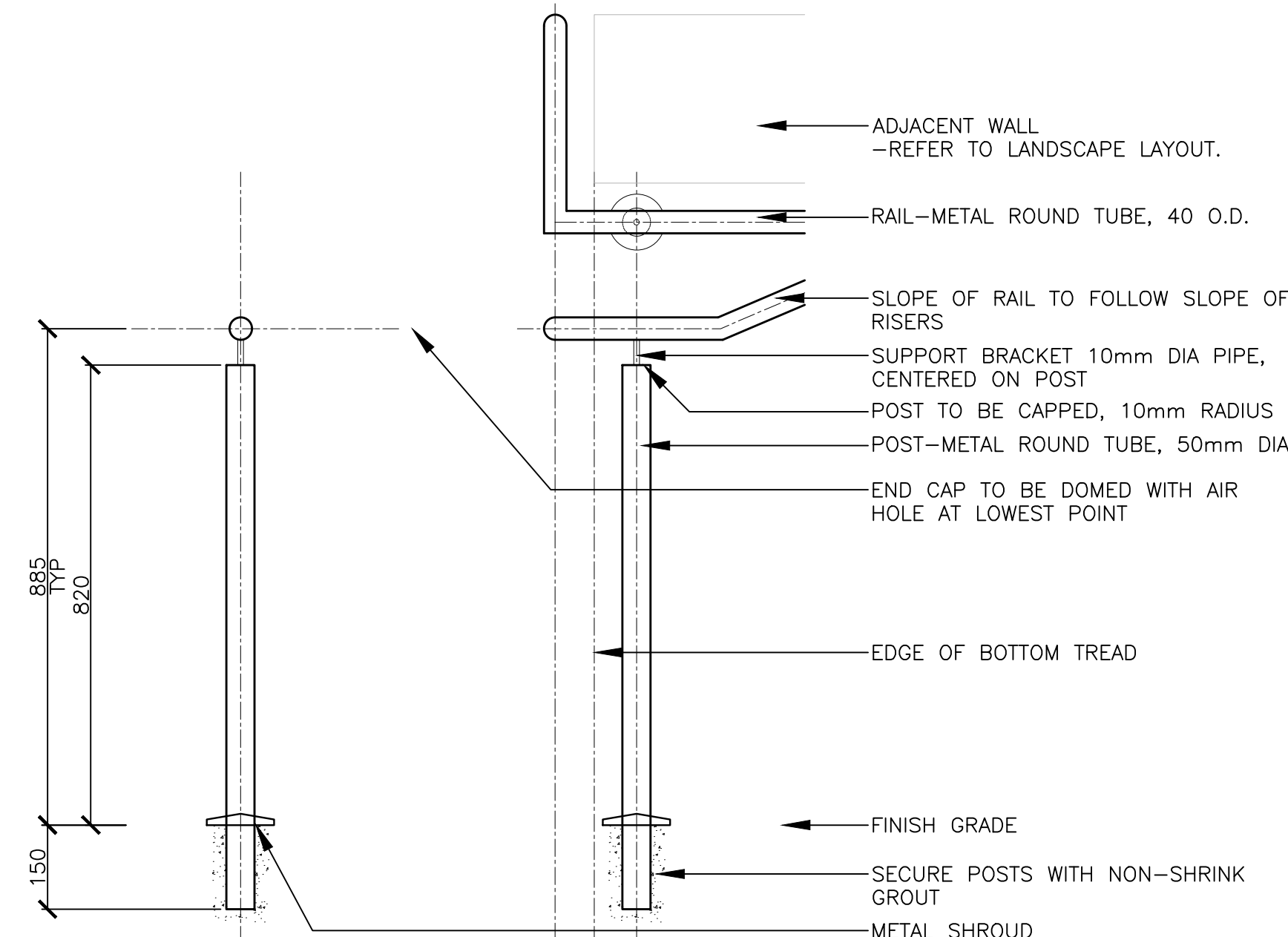


3 LANDSCAPE CURB 1:10



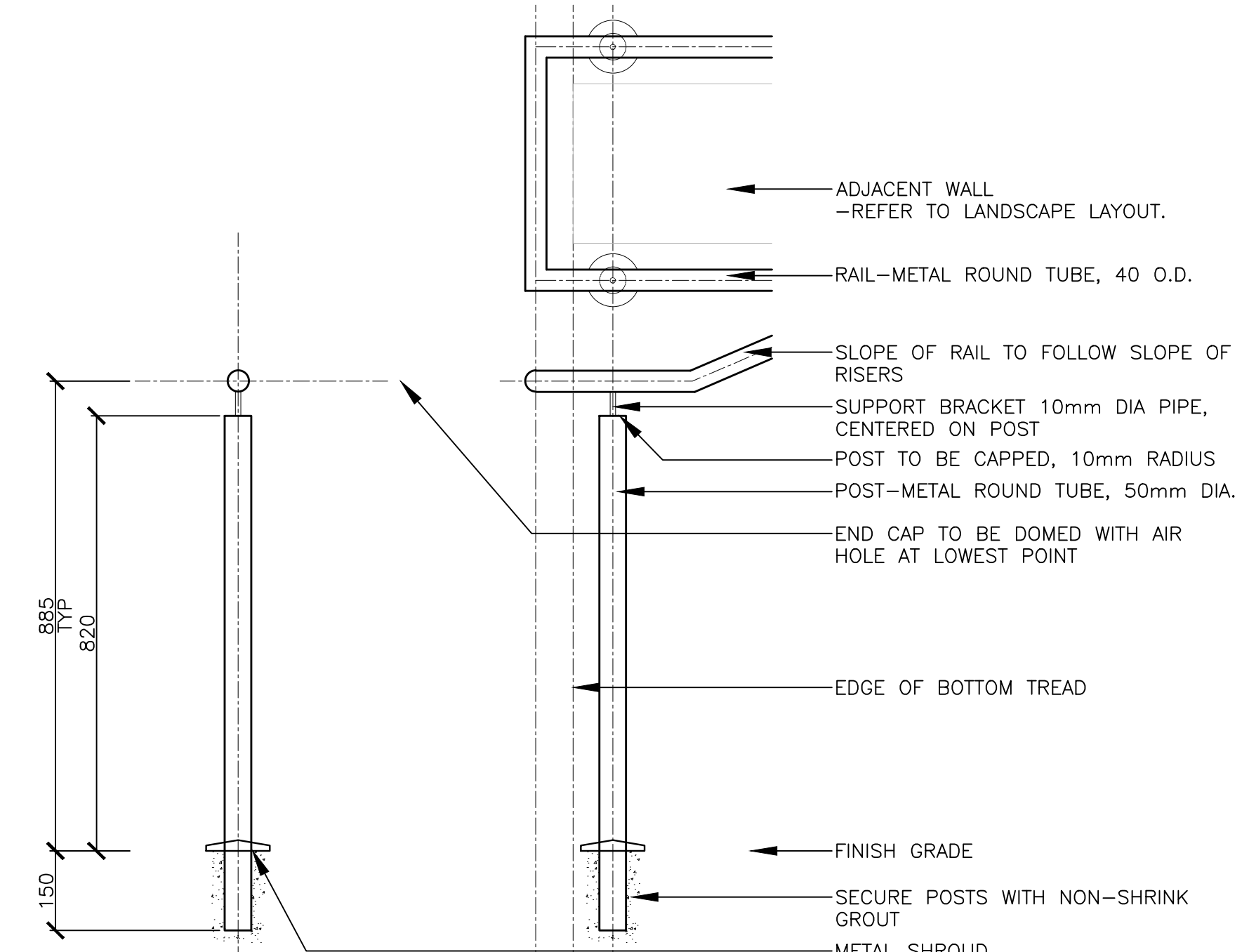
NOTES :
1. ALL METAL TO BE MARINE GRADE, SAE 316, STAINLESS STEEL
2. ALL WELDS TO BE FULL LENGTH AND BOTH SIDES OF ALL METAL SURFACES
3. GRIND SMOOTH ALL JOINTS AND EDGES
4. CONTRACTOR TO SUBMIT SHOP DRAWINGS FOR REVIEW PRIOR TO FABRICATION

4 HAND RAIL 1:10



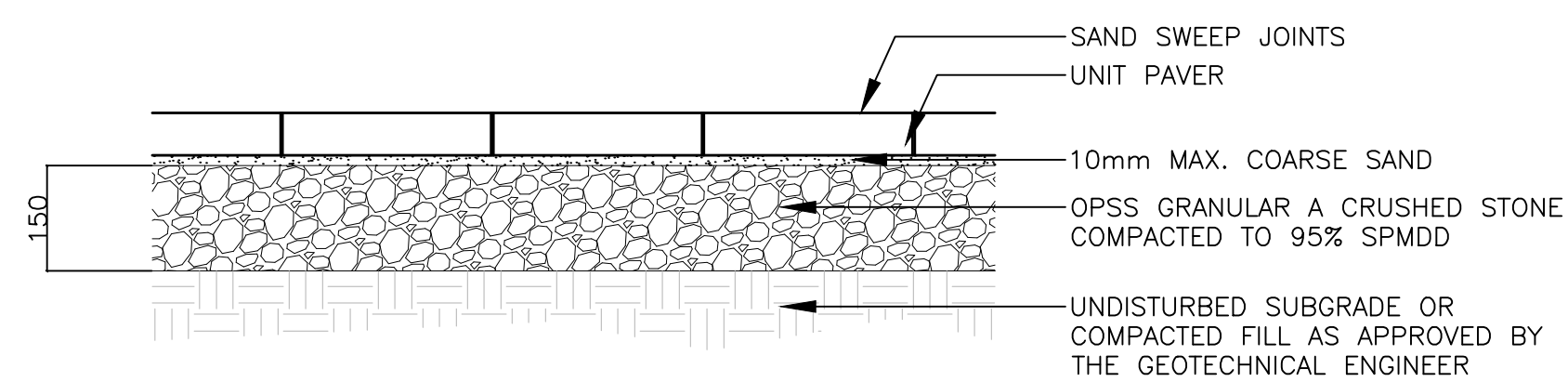
NOTES :
1. ALL METAL TO BE MARINE GRADE, SAE 316, STAINLESS STEEL
2. ALL WELDS TO BE FULL LENGTH AND BOTH SIDES OF ALL METAL SURFACES
3. GRIND SMOOTH ALL JOINTS AND EDGES
4. CONTRACTOR TO SUBMIT SHOP DRAWINGS FOR REVIEW PRIOR TO FABRICATION

90 DEGREE BEND (ONE-SIDED) 1:10

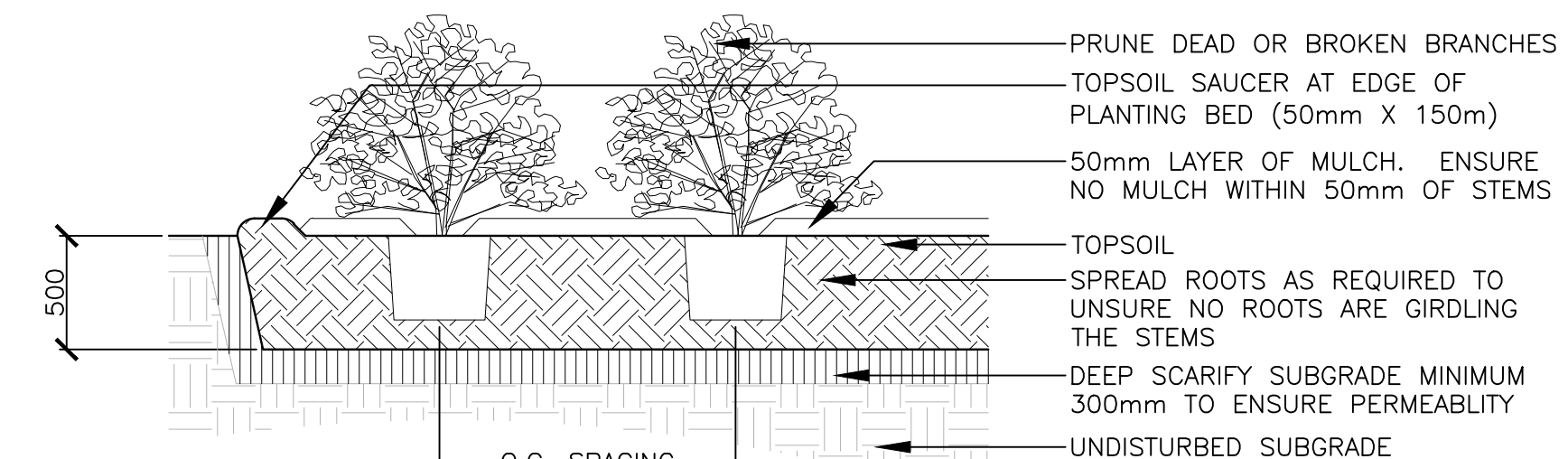


NOTES :
1. ALL METAL TO BE MARINE GRADE, SAE 316, STAINLESS STEEL
2. ALL WELDS TO BE FULL LENGTH AND BOTH SIDES OF ALL METAL SURFACES
3. GRIND SMOOTH ALL JOINTS AND EDGES
4. CONTRACTOR TO SUBMIT SHOP DRAWINGS FOR REVIEW PRIOR TO FABRICATION

90 DEGREE BEND (TWO-SIDED) 1:10

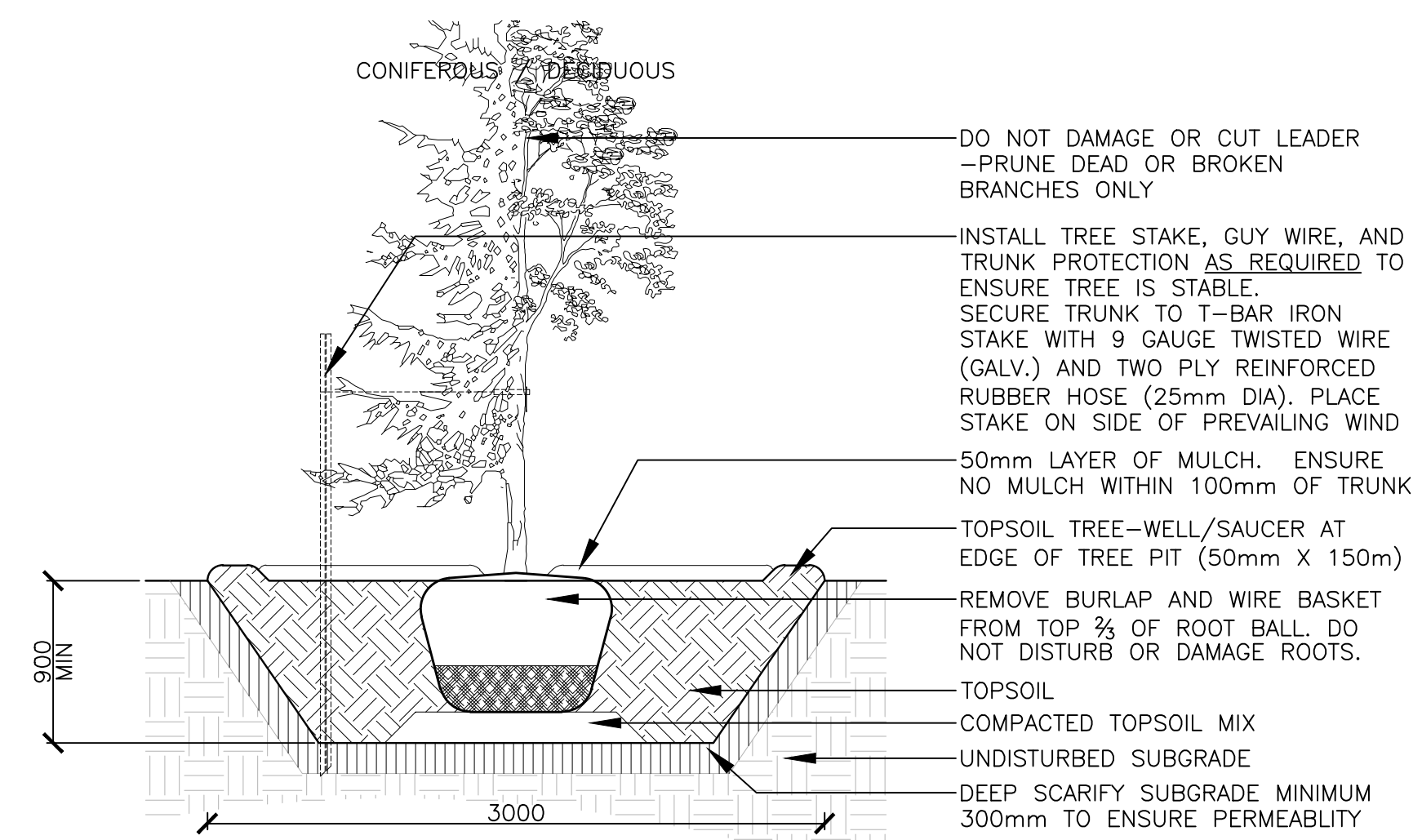


5 UNIT PAVING 1:10



NOTES :
• TOP OF ROOT BALL TO RETAIN SAME ELEVATION AS GROWING CONDITIONS

6 SHRUB PLANTING 1:30



NOTES :
• TREE STAKES ARE GENERALLY ARE TO BE USED FOR CONDITIONS WHERE THE INSTALLED TREE IS UNSTABLE AND/OR BECOMES UNSTABLE
• ALLOW 10mm TO 25mm SLACK ON GUY WIRE SUPPORT FOR TREE
• TOP OF ROOT BALL TO RETAIN SAME ELEVATION AS GROWING CONDITIONS
• REMOVE STAKES ONE YEAR AFTER INSTALL
• INSTALL STAKE BEYOND EDGE OF ROOT BALL

7 TREE PLANTING 1:30

Key Plan

No.	Revision	Date
6	RE-ISSUED FOR SPA	09 JUN 2021
5	RE-ISSUED FOR SPA	12 FEB 2021
4	RE-ISSUED FOR SPA	03 SEPT 2020
3	RE-ISSUED FOR SPA	10 AUG 2020
2	ISSUED FOR SPA	17 JULY 2020
1	ISSUED FOR COORDINATION	10 JULY 2020

North: Stamp:

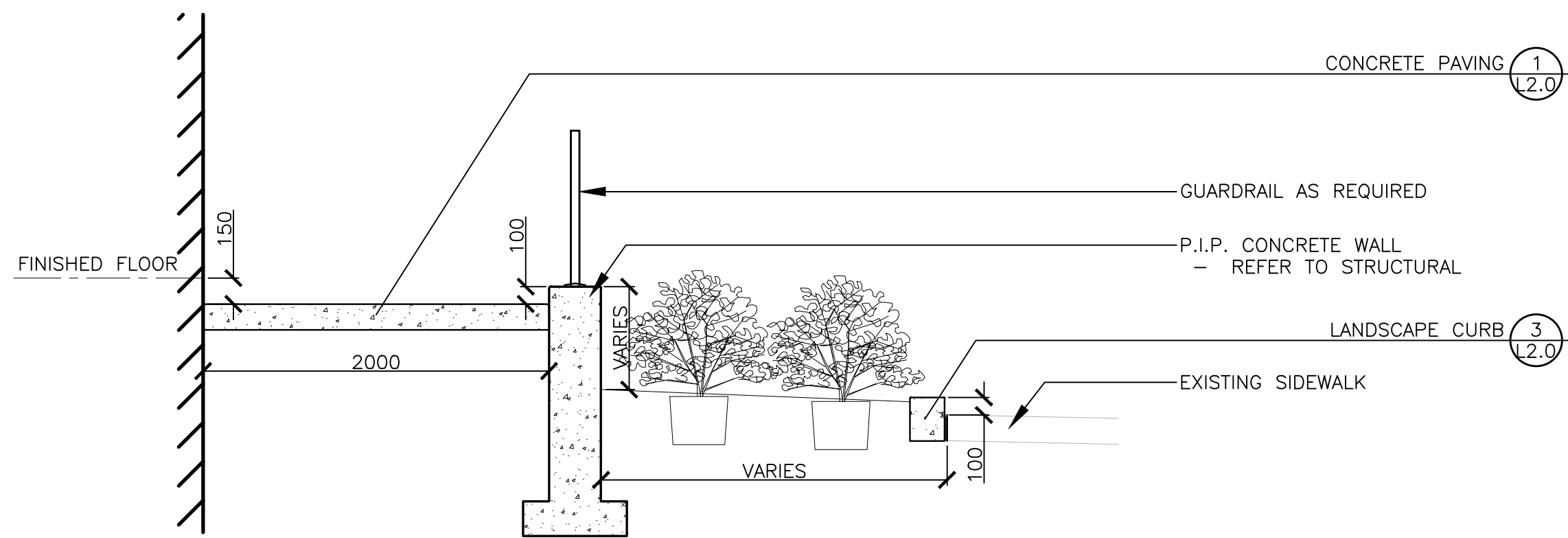
CSW Landscape Architecture
Urban Design
Site Planning
Recreation and Park Planning
Project Management
319 McRae Avenue, Suite 502, Ottawa, Ontario, K1Z 0B9
Tel: (613) 729-4536

- All measurements in millimeters unless specified otherwise. Do not scale drawing. All drawings to be read in conjunction with written specifications.
- Copyright reserved. This drawing is the exclusive property of CSW Landscape Architects Ltd. and shall not be used without the consent thereof.
- This Drawing may not be used for construction until signed by the landscape architect. It is the responsibility of the contractor to:
 - check and verify all dimensions on site;
 - report all errors and/or omissions to the landscape architect;
 - comply with all pertinent codes and by-laws;
 - check and verify locations of all underground services with all local utilities prior to any digging.

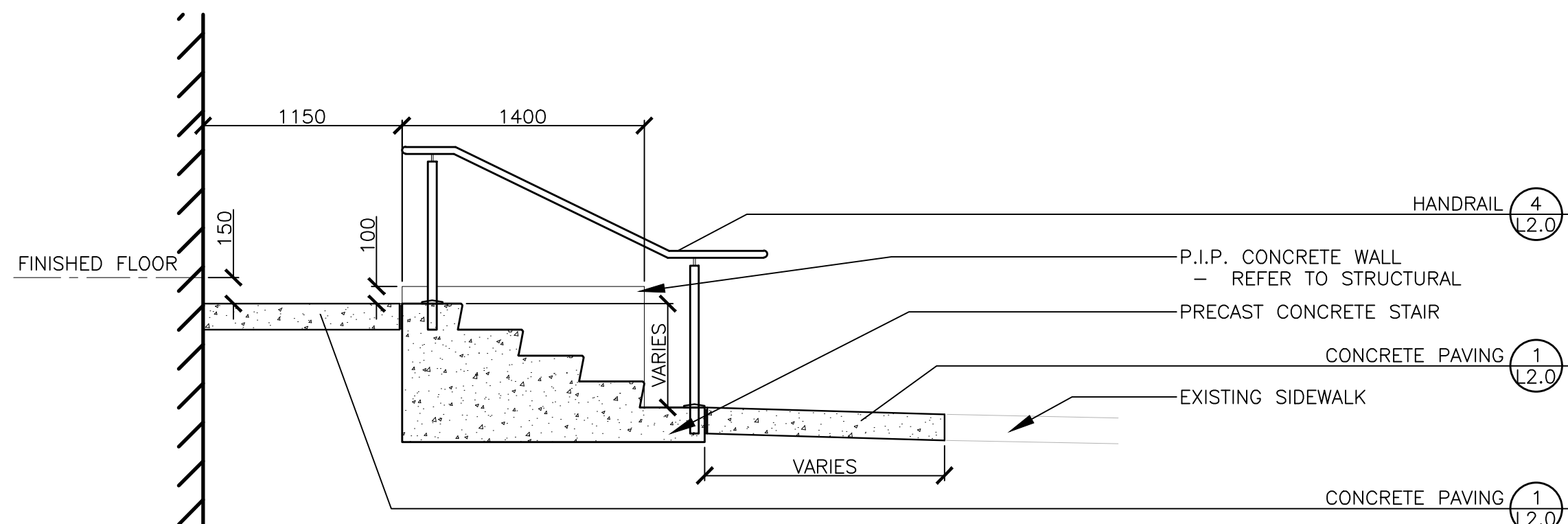
Project:
200 BARIBEAU STREET RESIDENTIAL DEVELOPMENT
200 BARIBEAU STREET
OTTAWA, ONTARIO

Drawing:
LANDSCAPE DETAILS

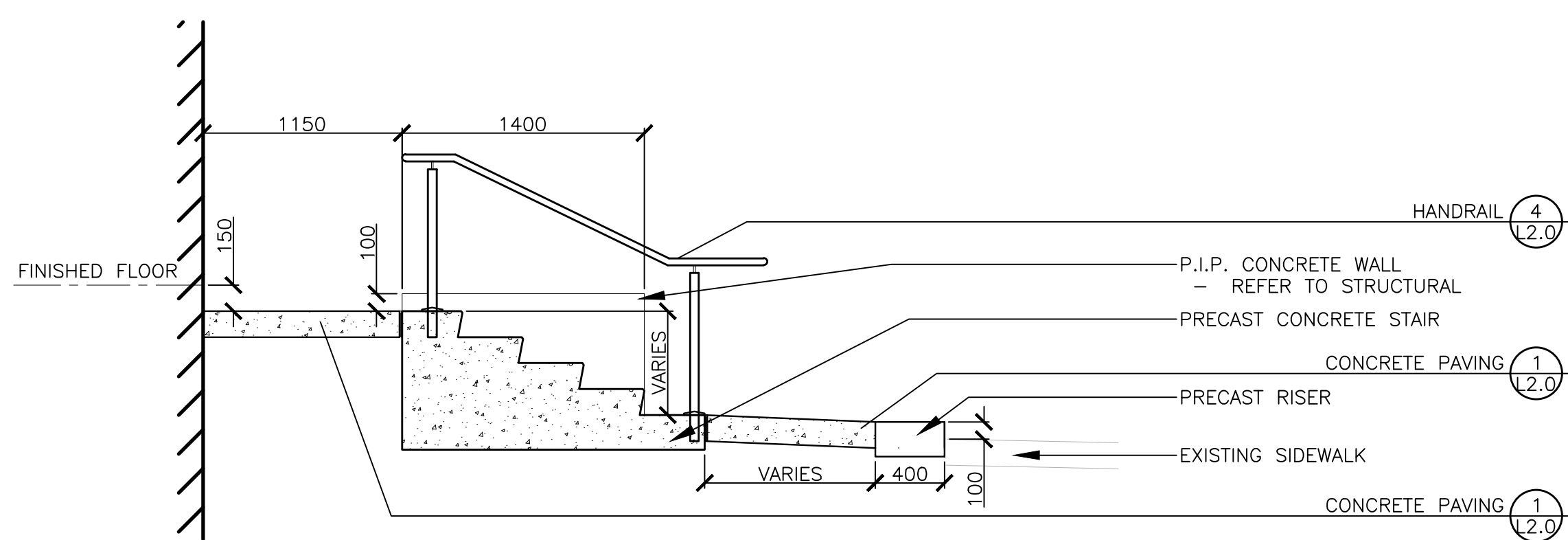
Scale:	AS NOTED	Date:	JULY 06 2020
Design By:	SMc	Drawn By:	SMc
Project Number:	2053-01	Sheet Number:	L 2.0



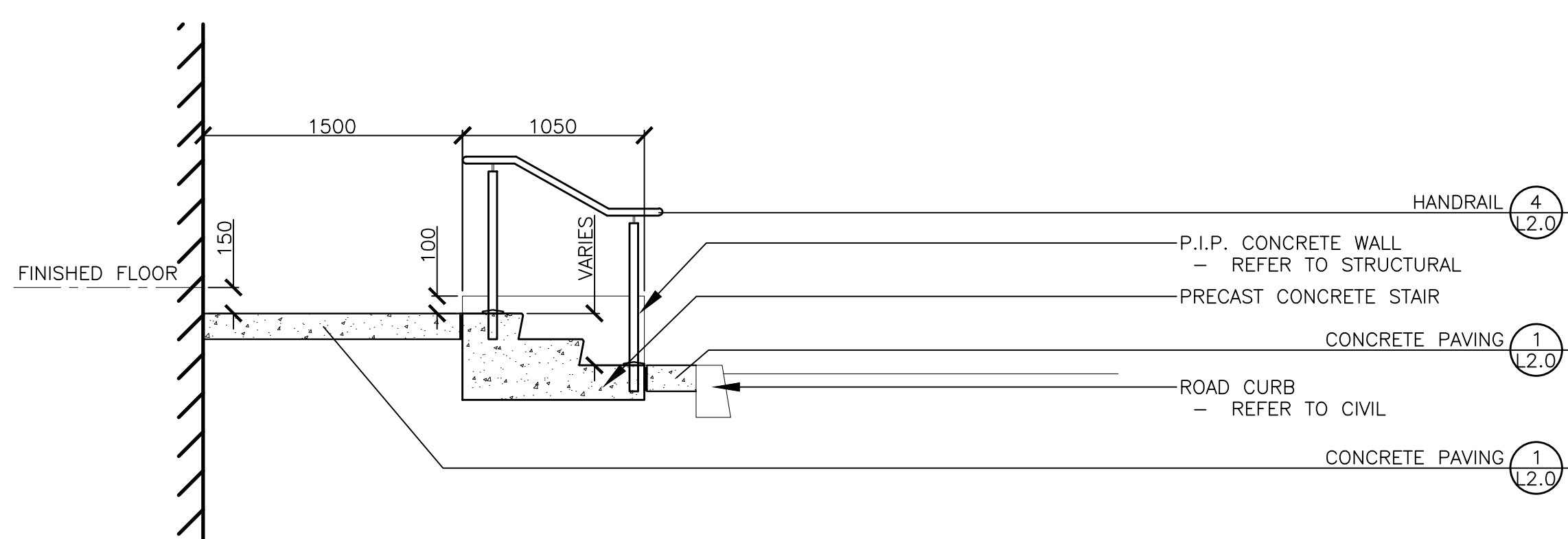
1 CROSS SECTION A- UNITS C, D, E & F 1:30



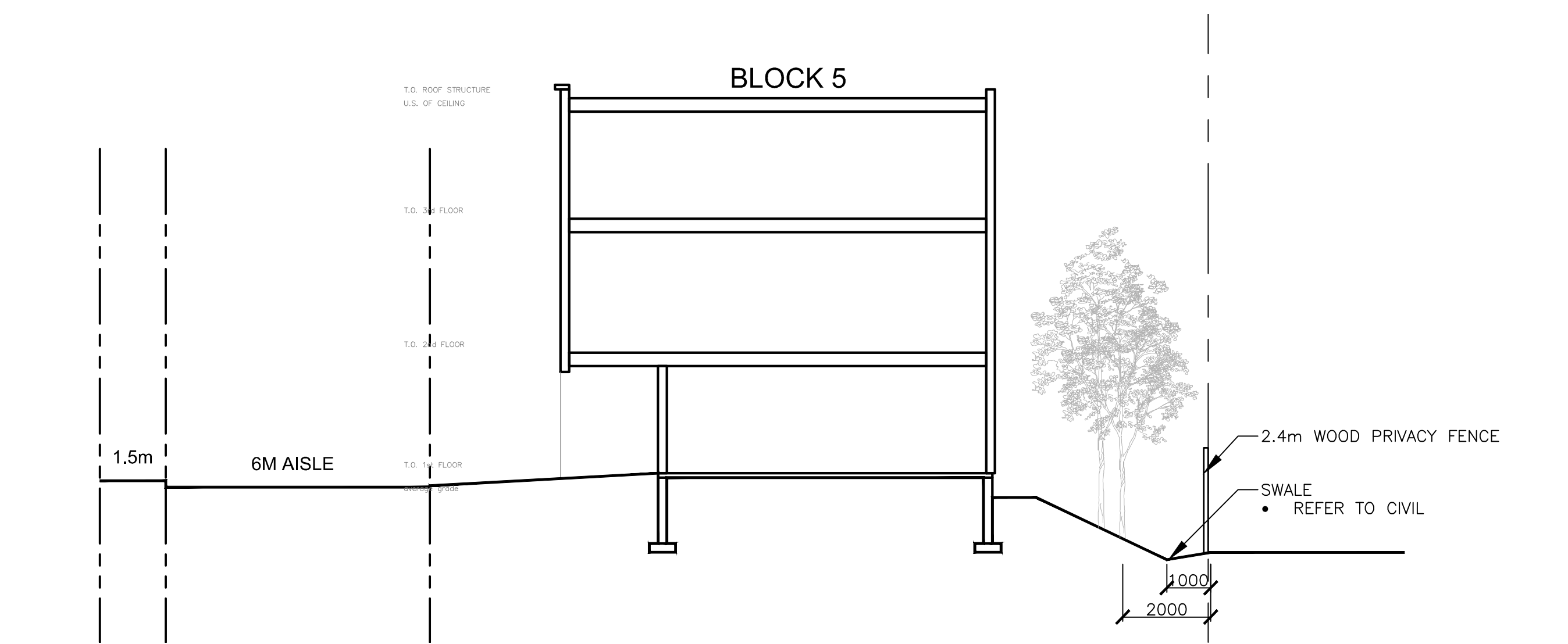
2 CROSS SECTION B- UNITS C, D, E & F 1:30



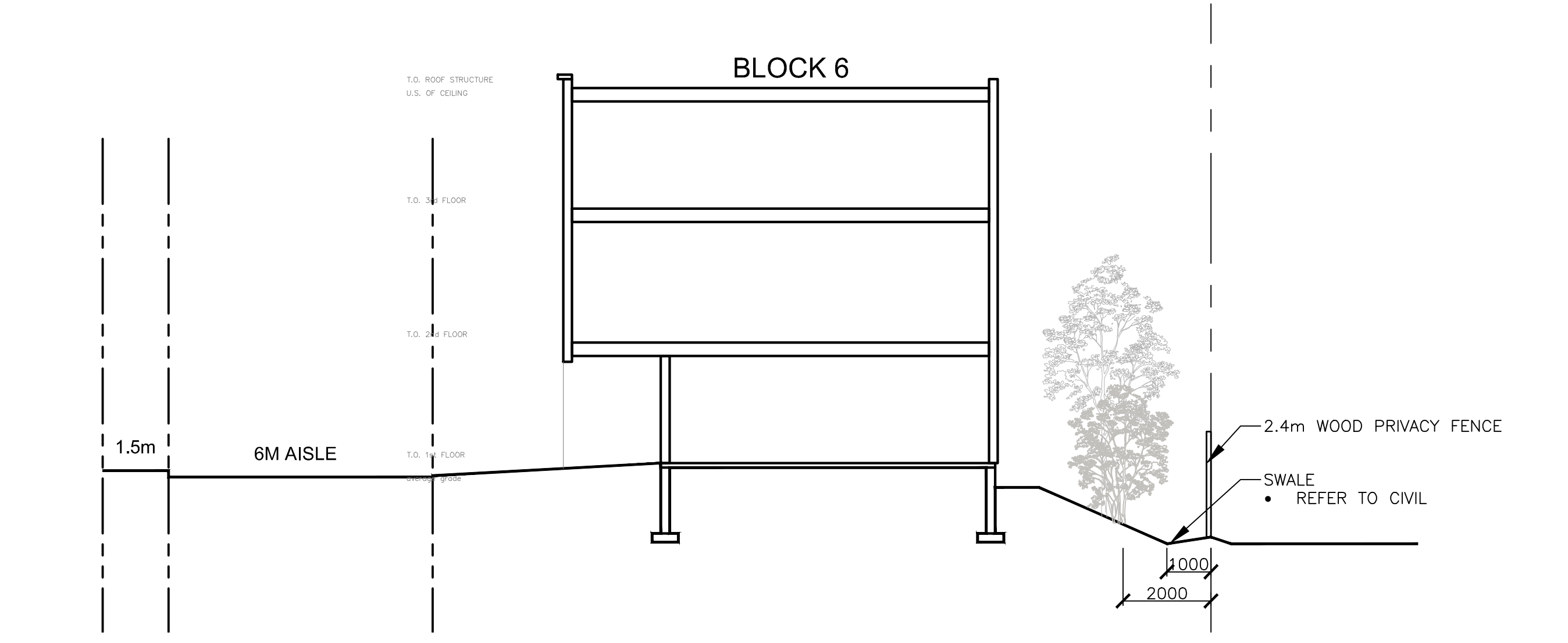
3 CROSS SECTION C- UNITS E, F 1:30



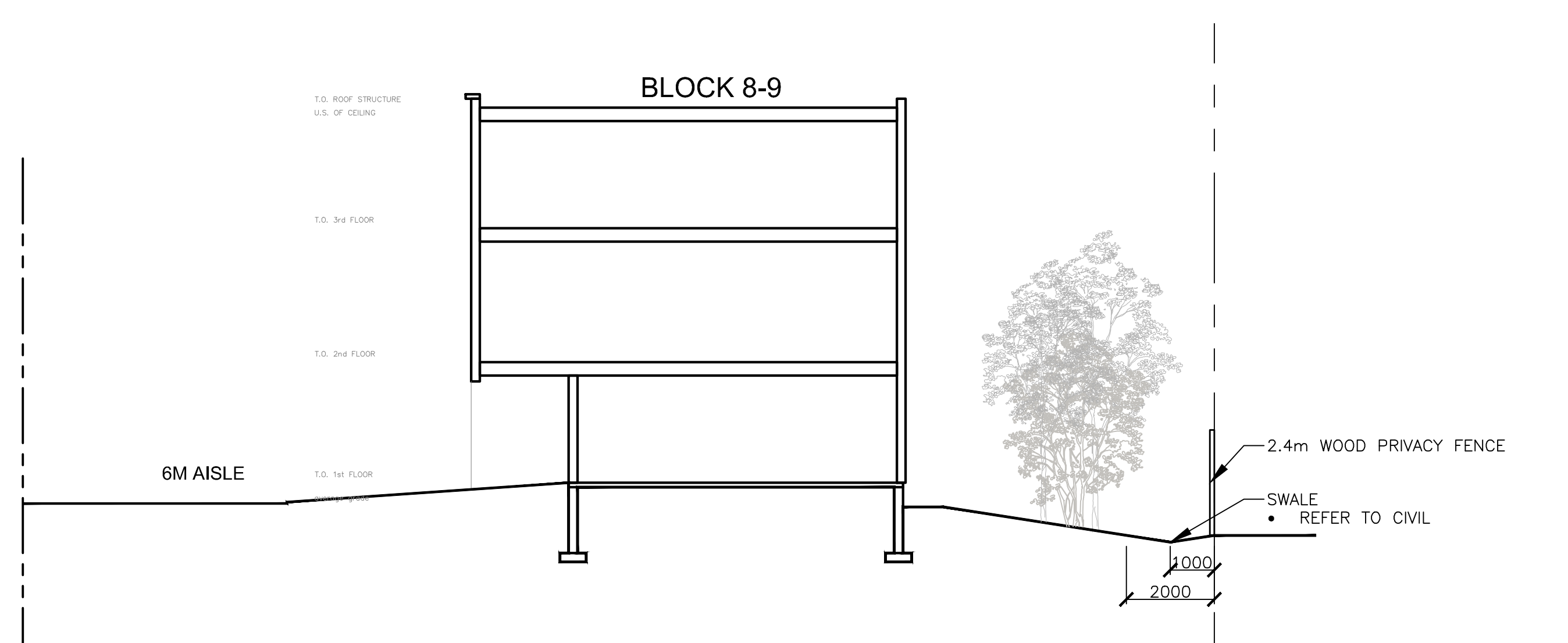
4 CROSS SECTION - UNITS A, G, H 1:30



5 BLOCKS 5 CROSS SECTION Scale: 1:100



6 BLOCKS 6 CROSS SECTION Scale: 1:100



7 BLOCKS 8-9 CROSS SECTION Scale: 1:100

Key Plan

No.	Revision	Date
6	RE-ISSUED FOR SPA	09 JUN 2021
5	RE-ISSUED FOR SPA	12 FEB 2021
4	RE-ISSUED FOR SPA	03 SEPT 2020
3	RE-ISSUED FOR SPA	10 AUG 2020
2	ISSUED FOR SPA	17 JULY 2020
1	ISSUED FOR COORDINATION	10 JULY 2020

North: Stamp:

CSW Landscape Architecture
 Urban Design
 Site Planning
 Recreation and Park Planning
 Project Management

319 McRae Avenue, Suite 502, Ottawa, Ontario, K1Z 0B9
 Tel: (613) 729-4536

- All measurements in millimeters unless specified otherwise. Do not scale drawing. All drawings to be read in conjunction with written specifications.
- Copyright reserved. This drawing is the exclusive property of CSW Landscape Architects Ltd. and shall not be used without the consent thereof.
- This Drawing may not be used for construction until signed by the landscape architect. It is the responsibility of the contractor to:
 - check and verify all dimensions on site;
 - report all errors and/or omissions to the landscape architect;
 - comply with all pertinent codes and by-laws;
 - check and verify locations of all underground services with all local utilities prior to any digging.

Project:
**200 BARIBEAU STREET
 RESIDENTIAL DEVELOPMENT**

200 BARIBEAU STREET
 OTTAWA, ONTARIO

Drawing:
LANDSCAPE SECTIONS

Scale: AS NOTED	Date: JULY 06 2020
Design By: SMc	Drawn By: SMc
Project Number: 2053-01	Sheet Number: L 2.1

Last Save: 6/9/2021 7:20:21 AM
 File Location: Z:\Projects\2053-01 200 Baribeau Street\Drawings\SPA\SPA 06\2053-01 200 Baribeau Street_SPA06 (Detail).R2.dwg