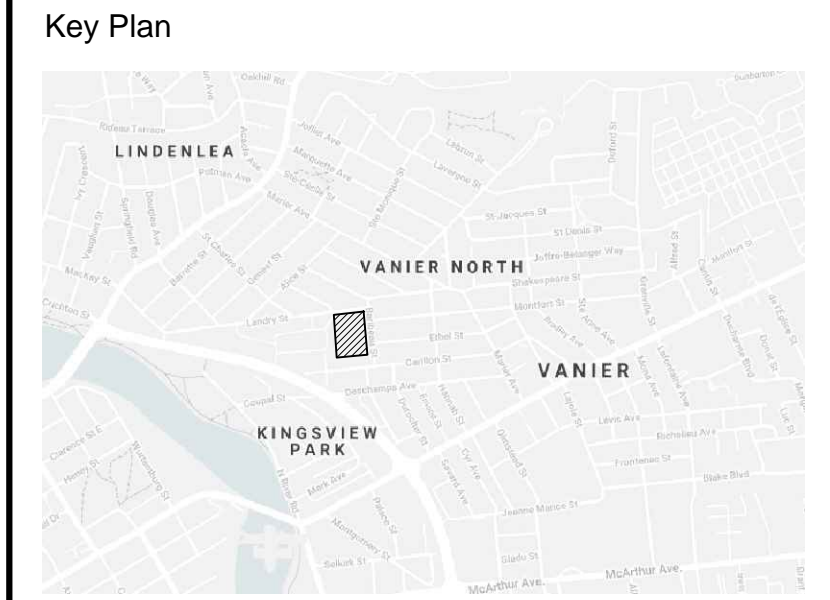


PLANT LIST

SYM.	BOTANICAL NAME	COMMON NAME	QTY.	SIZE	REMARKS
	LARGE DECIDUOUS TREES				
AF	ACER FREEMANII 'CELZAM'	CELEBRATION MAPLE	12	70mm CAL.	B&B / W.B.
	SMALL DECIDUOUS TREES				
AP	ACER PLATANOIDES 'COLUMARE'	COLUMNAR NORWAY MAPLE	13	1800mm HT.	B&B / W.B.
QR	QUERCUS ROBUR 'FASTIGIATA'	COLUMNAR ENGLISH OAK	14	1800mm HT.	B&B / W.B.
RT	RHUS TYPHINA	STAGHORN SUMAC	--	600mm HT.	WHIP/BAREROOT, 1.2m O.C.
	CONIFEROUS TREES				
JS	JUNIPERUS SCOPULORUM 'SKYROCKET'	SKYROCKET JUNIPER	9	1800mm HT.	B&B / W.B.
	SHRUBS				
JH	JUNIPERUS HORIZONTALIS 'PLUMOSA COMPACTA'	COMPACT ANDORA JUNIPER	--	600mm SPR.	POT. 750mm O.C.
SB	SPIREA X BUMALDA 'GOLDFLAME'	GOLDFLAME SPIREA	--	500mm HT.	POT. 600mm O.C.
SS	SORBARIA SORBIFOLIA	FALSE SPIREA	--	500mm HT.	POT. 900mm O.C.
RA	RHUS AROMATICA 'GRO-LOW'	GRO-LOW FRAGRANT SUMAC	--	1 GAL. POT.	POT. 600mm O.C.
	PERENNIALS AND GRASSES				
HS	HEMEROCALLIS 'STELLA D'ORO'	STELL D'ORO DAYLILY	--	1 GAL. POT.	POT. 400mm O.C.
MS	MISCANTHUS SIN. 'GRACILLIMUS'	MAIDEN GRASS	--	1 GAL. POT.	POT. 600mm O.C.
PV	PANICUM VIRGATUM	SWITCH GRASS	--	1 GAL. POT.	POT. 600mm O.C.



LEGEND

- PROPOSED LARGE DECIDUOUS TREES
- PROPOSED SMALL DECIDUOUS TREES
- PROPOSED CONIFEROUS TREES
- SHRUB / PERENNIAL PLANTING
- 100mm TOPSOIL AND SOD ON TOP OF FREE-DRAINING GROWING MEDIUM

No.	Revision	Date
5	RE-ISSUED FOR SPA	12 FEB 2021
4	RE-ISSUED FOR SPA	03 SEPT 2020
3	RE-ISSUED FOR SPA	10 AUG 2020
2	ISSUED FOR SPA	17 JULY 2020
1	ISSUED FOR COORDINATION	10 JULY 2020

North:

Stamp:

**CSW** Landscape Architecture  
 Urban Design  
 Site Planning  
 Recreation and Park Planning  
 Project Management

319 McRae Avenue, Suite 502, Ottawa, Ontario, K1Z 0B9  
 Tel: (613) 729-4536

- All measurements in millimeters unless specified otherwise. Do not scale drawing. All drawings to be read in conjunction with written specifications.
- Copyright reserved. This drawing is the exclusive property of CSW Landscape Architects Ltd. and shall not be used without the consent thereof.
- This Drawing may not be used for construction until signed by the landscape architect. It is the responsibility of the contractor to:
  - check and verify all dimensions on site;
  - report all errors and/or omissions to the landscape architect;
  - comply with all pertinent codes and by-laws;
  - check and verify locations of all underground services with all local utilities prior to any digging.

Project:  
**200 BARIBEAU STREET  
 RESIDENTIAL DEVELOPMENT**

200 BARIBEAU STREET  
 OTTAWA., ONTARIO

Drawing:  
**LANDSCAPE LAYOUT**

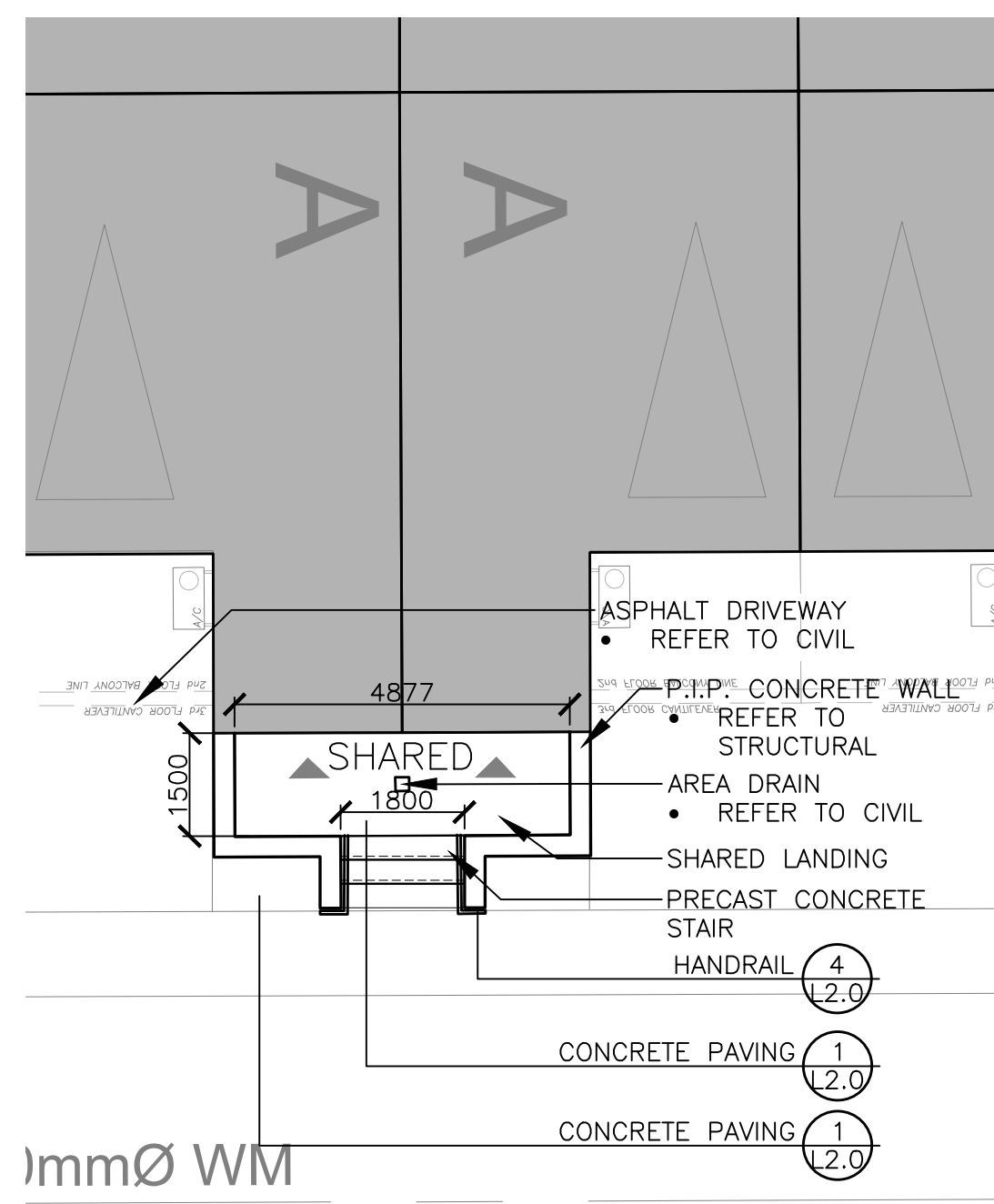
Scale:	1:300	Date:	JULY 06 2020
Design By:	SMc	Drawn By:	SMc
Project Number:	2053-01	Sheet Number:	L 1.0

Last Save: 2021-08-22 10:08:18 AM  
 File Location: Z:\Projects\2053-01-200 Baribeau Street\Drawings\SPA\SPA\_04235-0202(LT).dwg

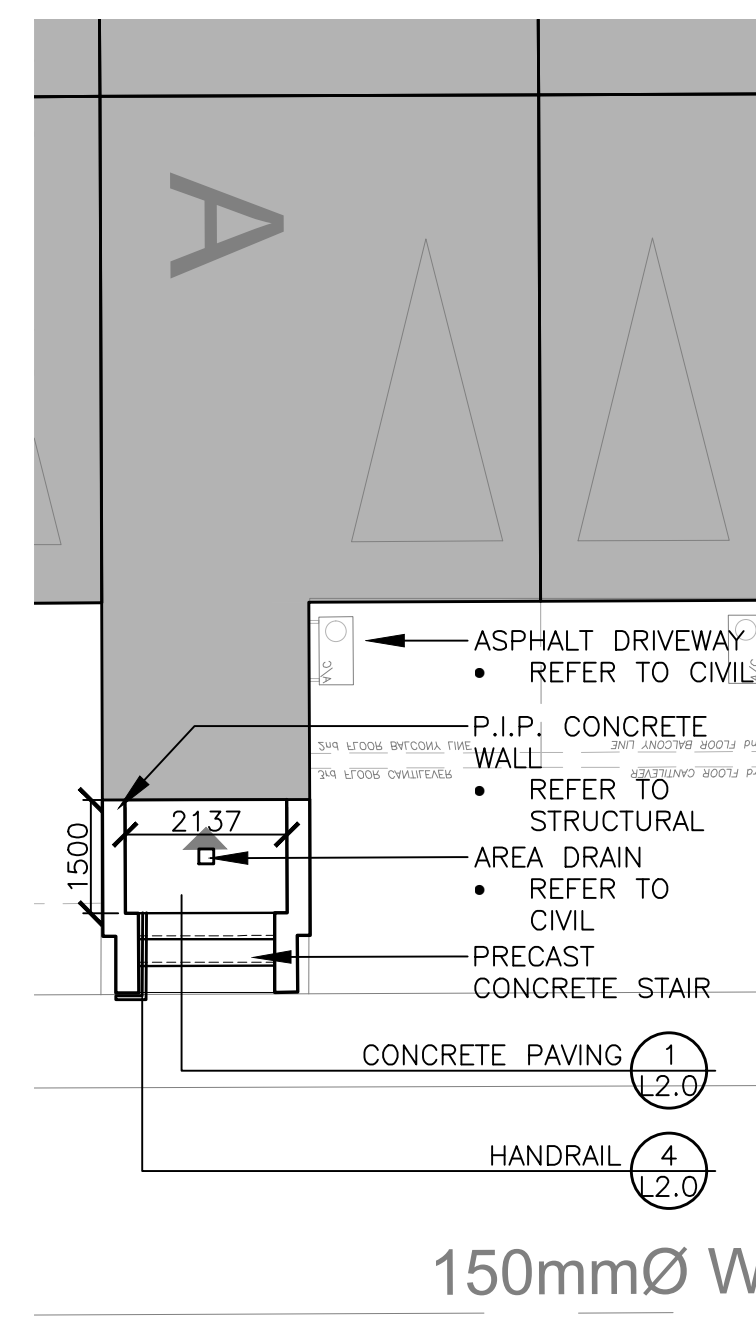
1 LANDSCAPE LAYOUT



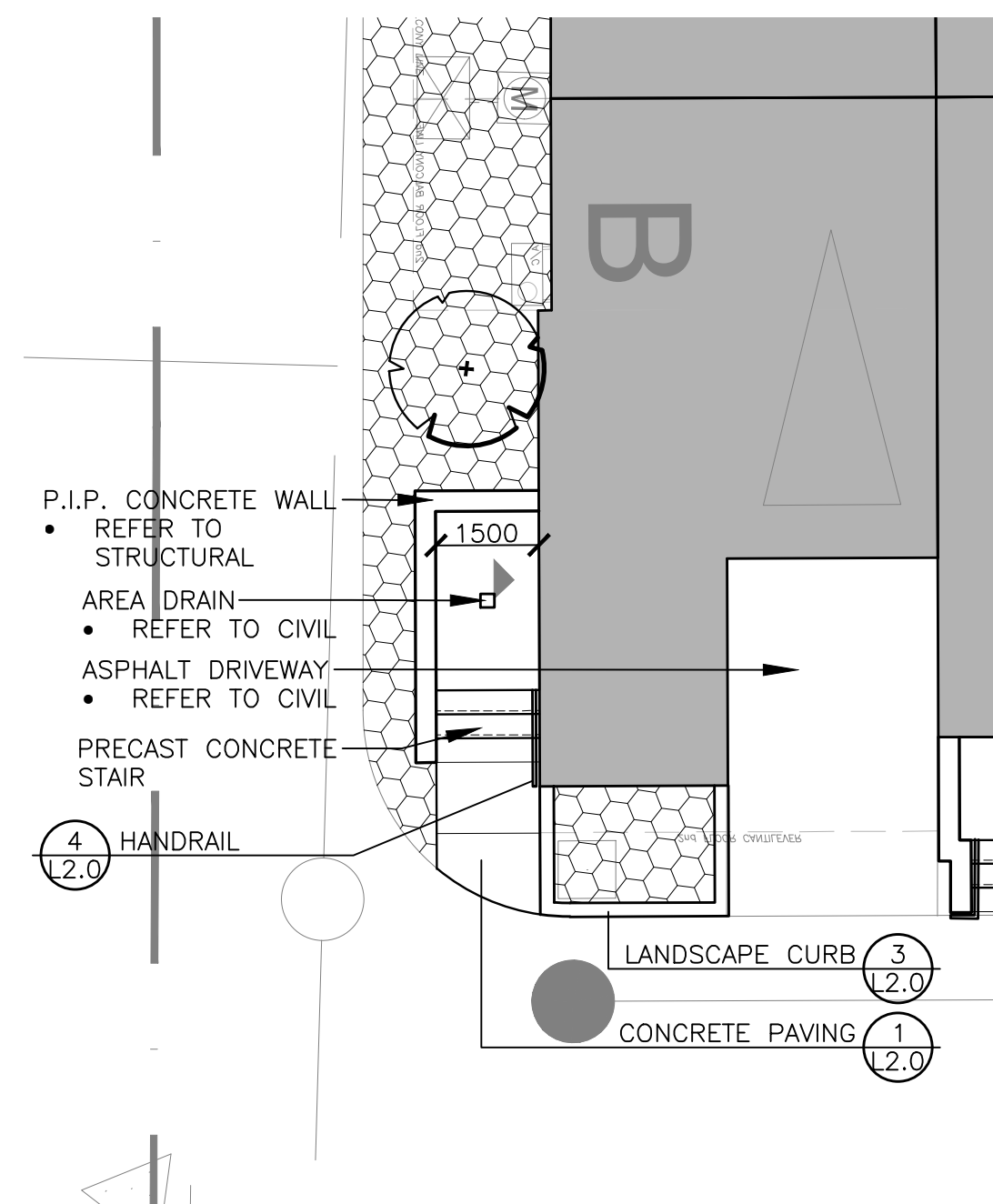
Scale: 1:300



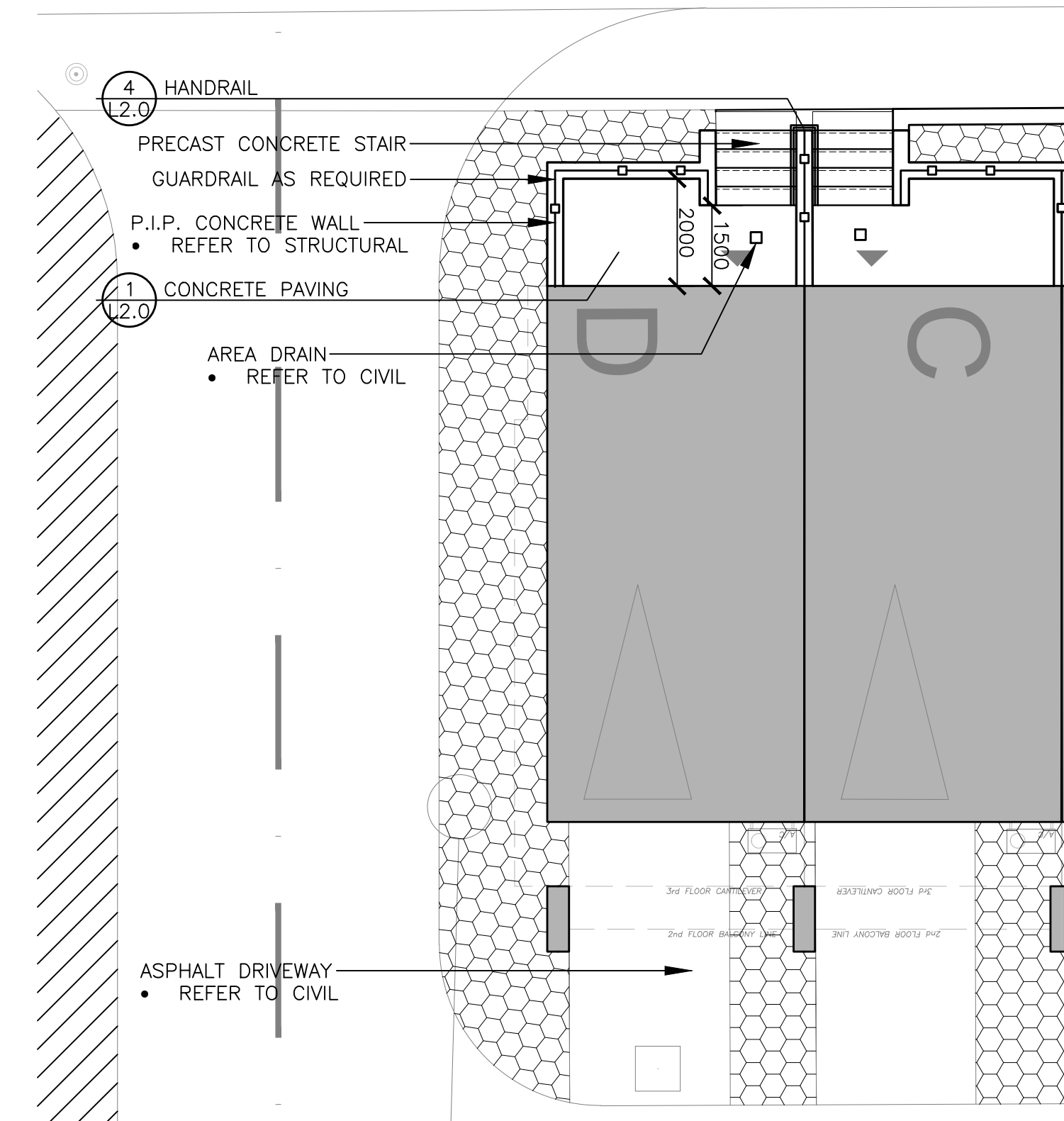
1 UNIT A- TYPE 1 Scale: 1:100



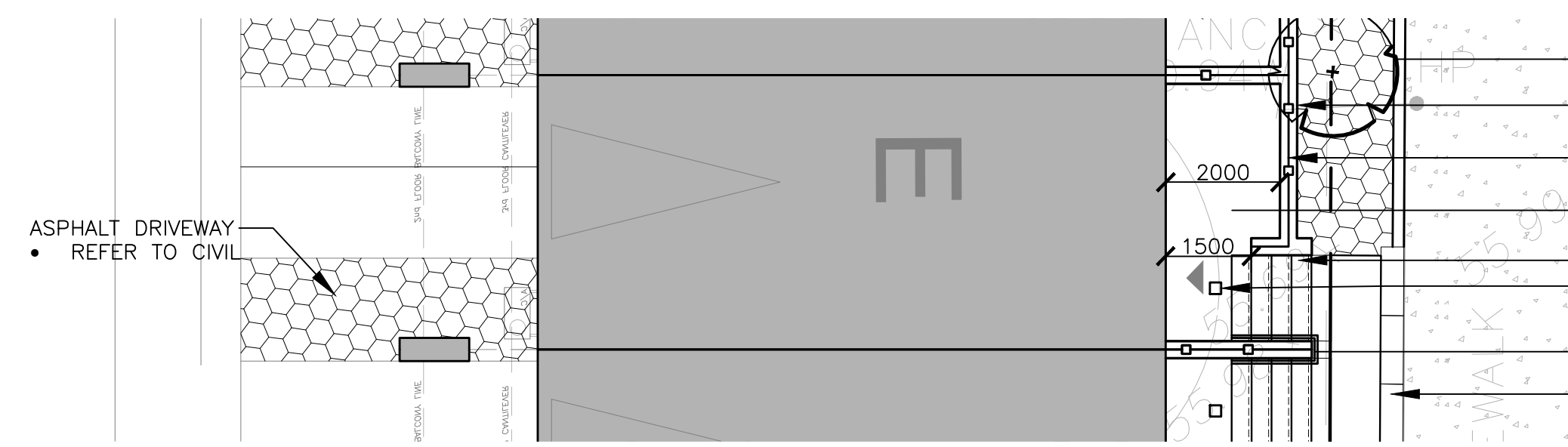
2 UNIT A- TYPE 2 Scale: 1:100



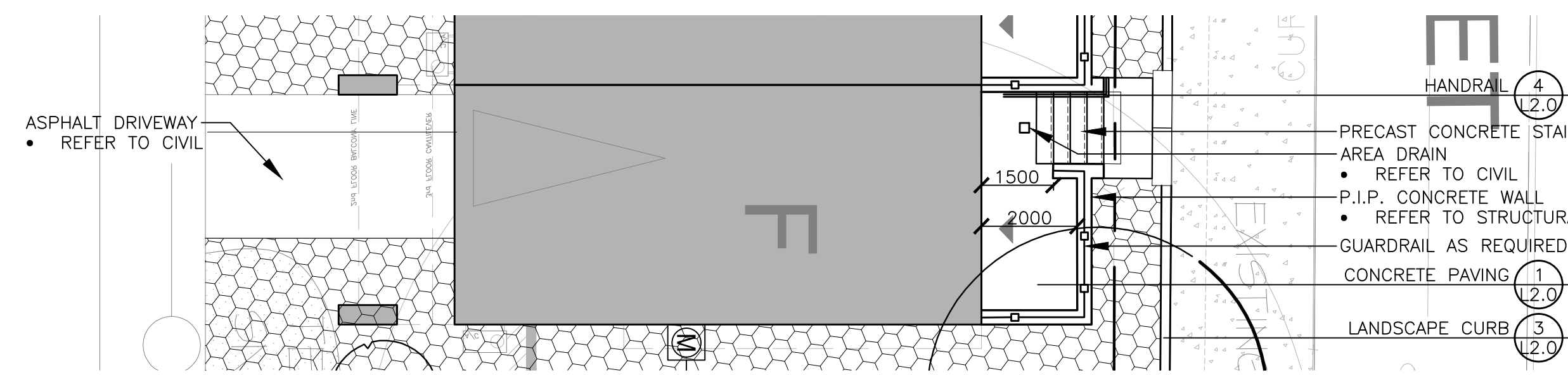
3 UNIT B Scale: 1:100



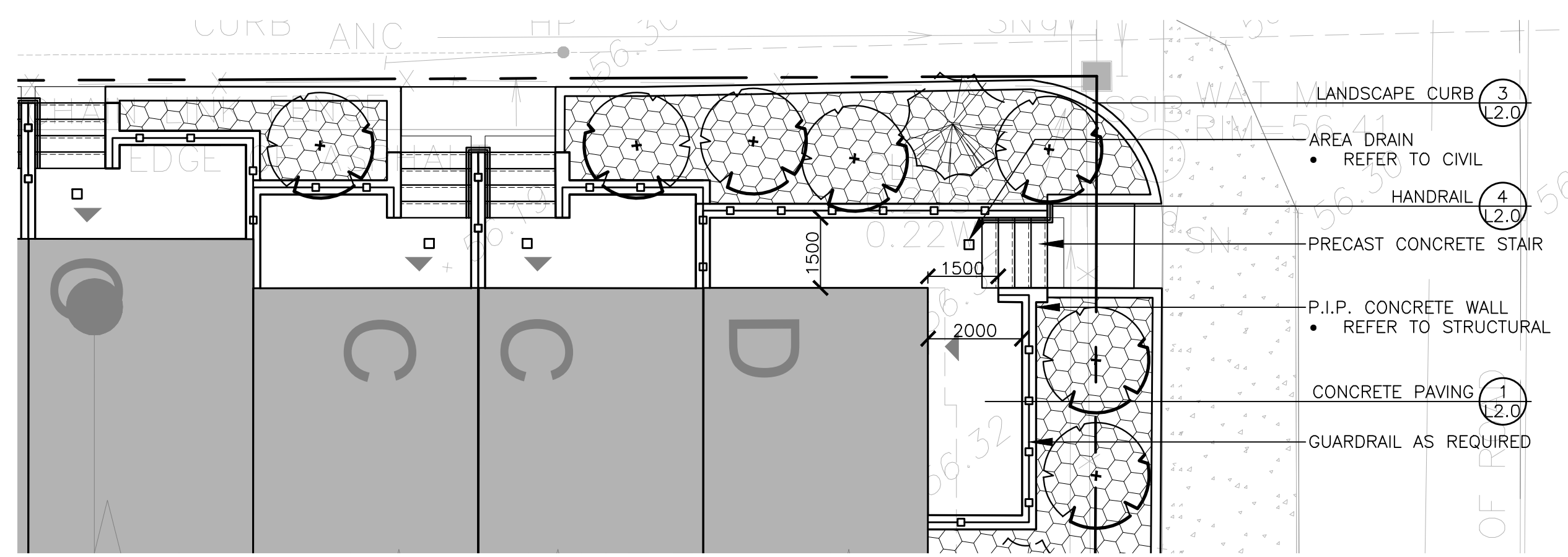
4 UNIT C & D Scale: 1:100



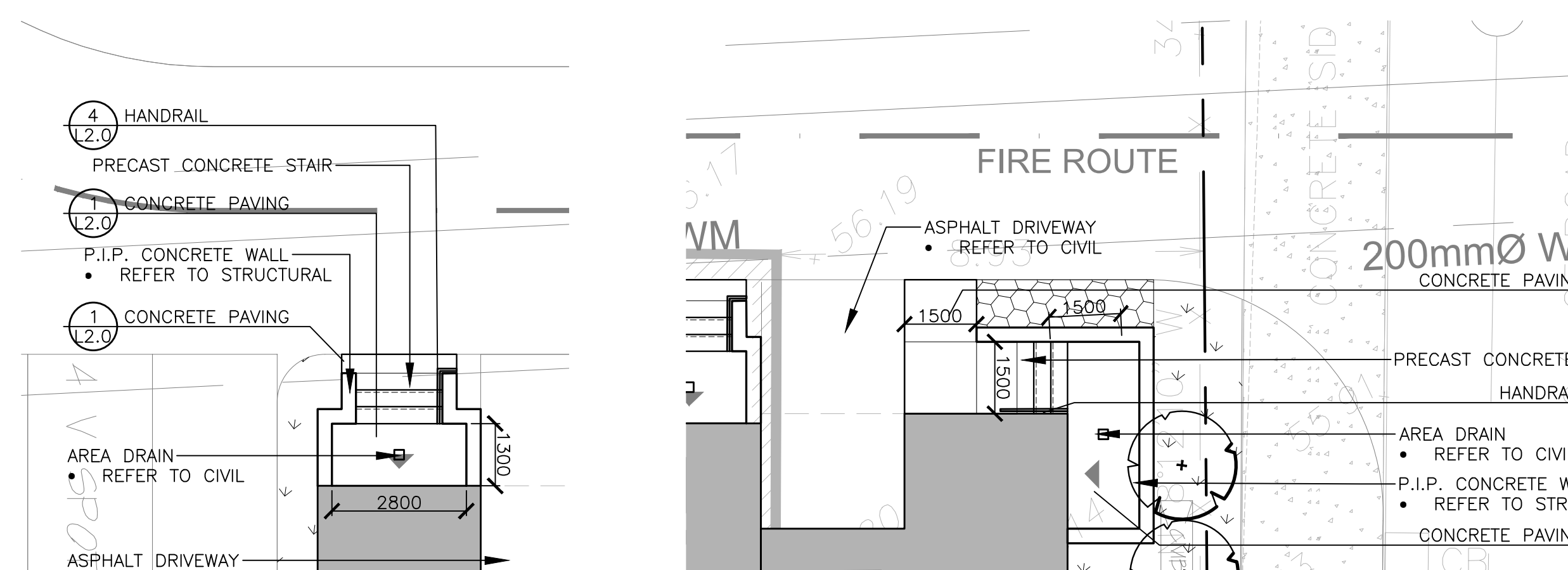
5 UNIT E Scale: 1:100



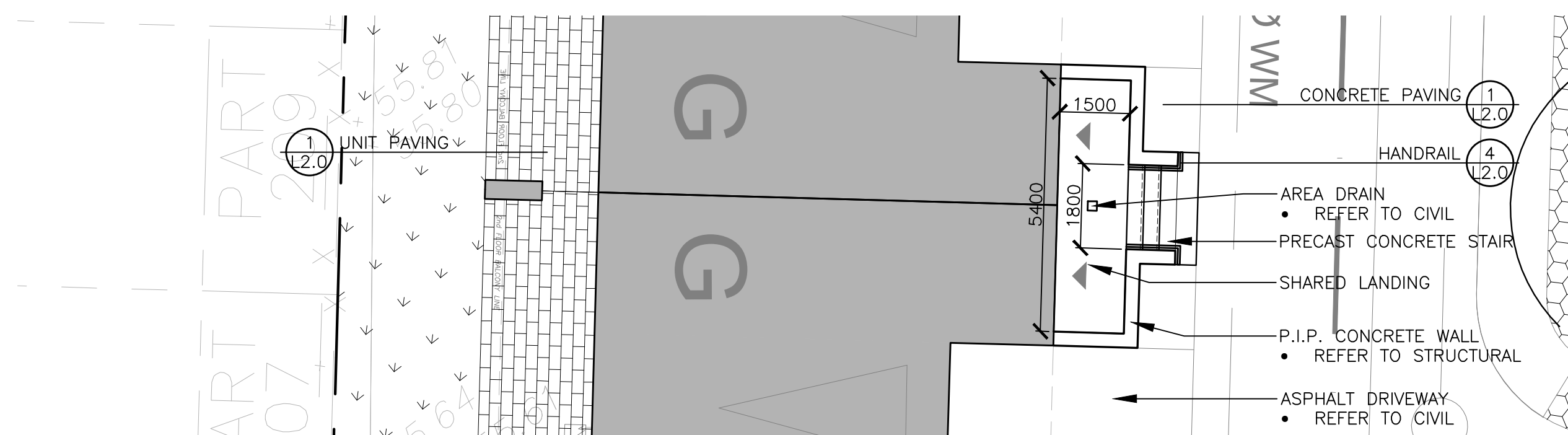
6 UNIT F- TYPE 1 Scale: 1:100



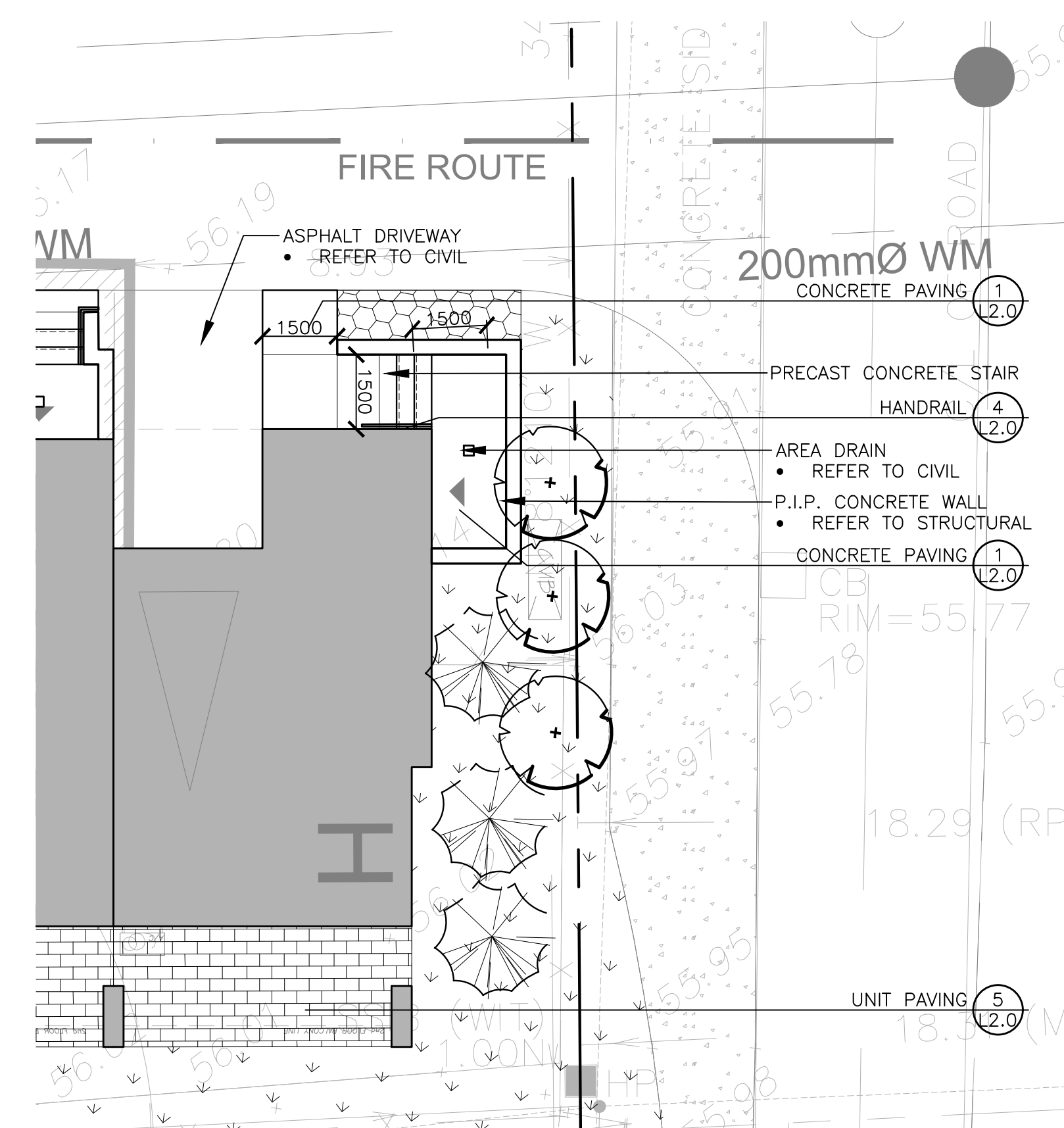
7 UNIT D- TYPE 2 Scale: 1:100



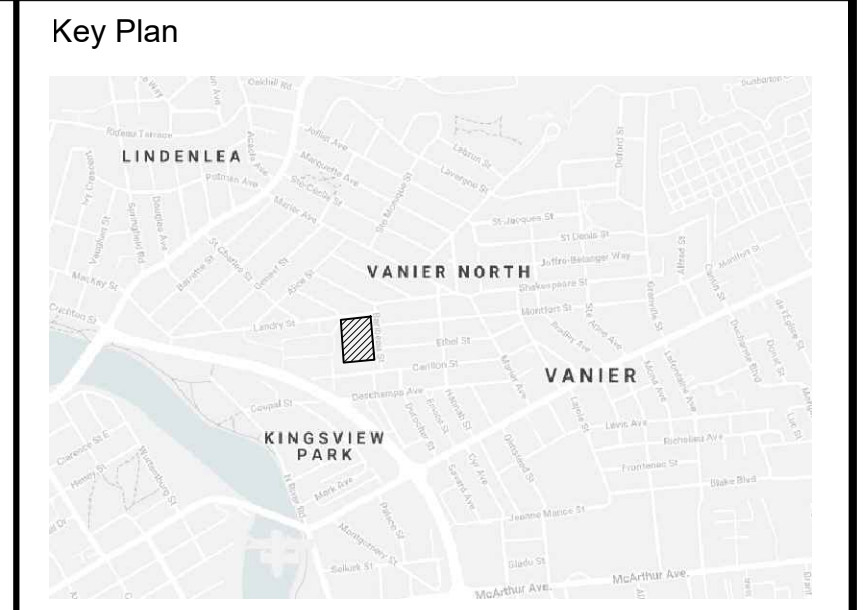
9 UNIT H- TYPE 1 Scale: 1:100



8 UNIT G Scale: 1:100



10 UNIT H- TYPE 2 Scale: 1:100



- LEGEND
- PROPOSED LARGE DECIDUOUS TREES
  - PROPOSED SMALL DECIDUOUS TREES
  - PROPOSED CONIFEROUS TREES
  - SHRUB / PERENNIAL PLANTING
  - 100mm TOPSOIL AND SOD ON TOP OF FREE-DRAINING GROWING MEDIUM

No.	Revision	Date
5	RE-ISSUED FOR SPA	12 FEB 2021
4	RE-ISSUED FOR SPA	03 SEPT 2020
3	RE-ISSUED FOR SPA	10 AUG 2020
2	ISSUED FOR SPA	17 JULY 2020
1	ISSUED FOR COORDINATION	10 JULY 2020

North:

Stamp:

**CSW** Landscape Architecture  
 Urban Design  
 Site Planning  
 Recreation and Park Planning  
 Project Management

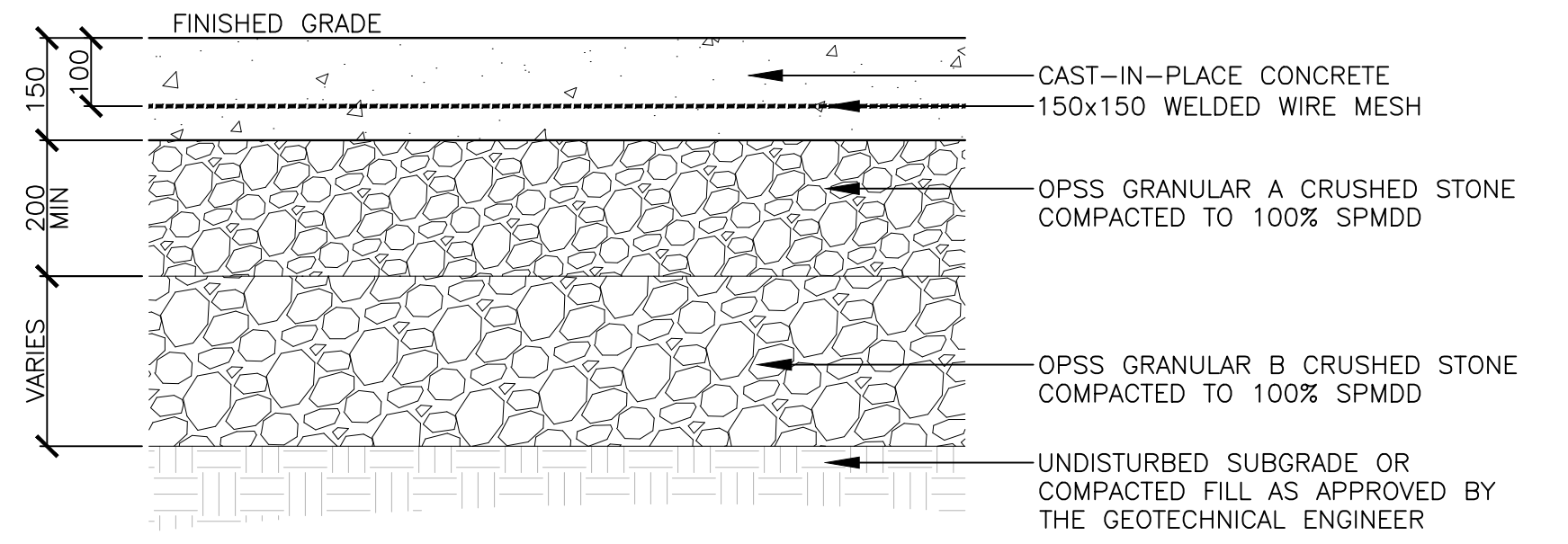
319 McRae Avenue, Suite 502, Ottawa, Ontario, K1Z 0B9  
 Tel: (613) 729-4536

- All measurements in millimeters unless specified otherwise. Do not scale drawing. All drawings to be read in conjunction with written specifications.
- Copyright reserved. This drawing is the exclusive property of CSW Landscape Architects Ltd. and shall not be used without the consent thereof.
- This Drawing may not be used for construction until signed by the landscape architect. It is the responsibility of the contractor to:
  - check and verify all dimensions on site;
  - report all errors and/or omissions to the landscape architect;
  - comply with all pertinent codes and by-laws;
  - check and verify locations of all underground services with all local utilities prior to any digging.

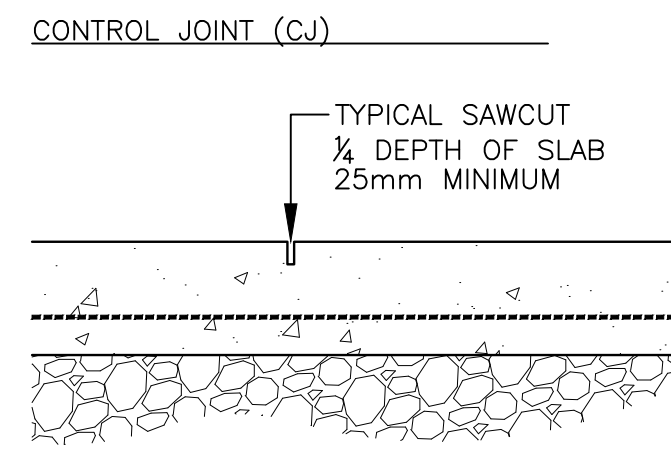
Project:  
**200 BARIBEAU STREET RESIDENTIAL DEVELOPMENT**  
 200 BARIBEAU STREET  
 OTTAWA, ONTARIO

Drawing:  
**LANDSCAPE LAYOUT**

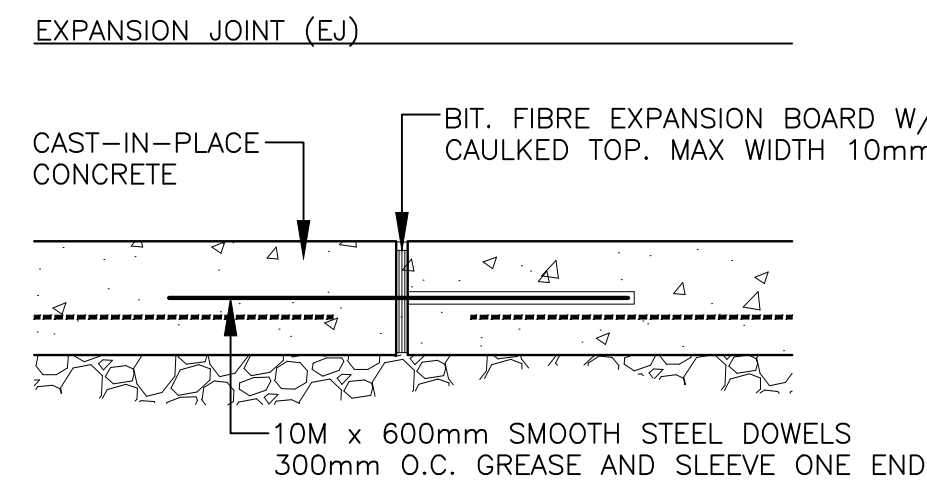
Scale: AS NOTED	Date: JULY 06 2020
Design By: SMc	Drawn By: SMc
Project Number: 2053-01	Sheet Number: L 1.1



1 CONCRETE PAVING 1:10

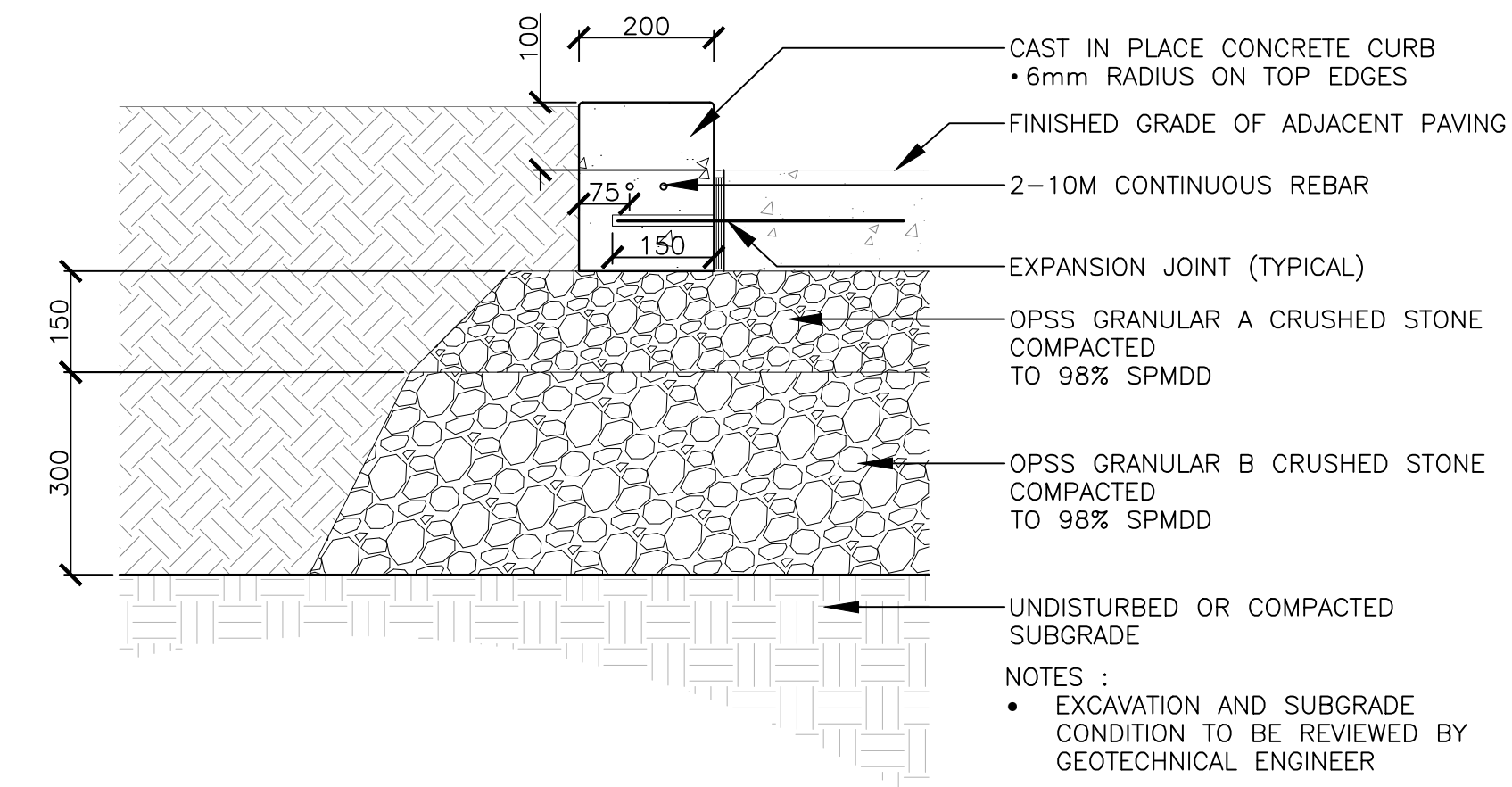


CONTROL JOINT (CJ)  
TYPICAL SAWCUT  
1/4 DEPTH OF SLAB  
25mm MINIMUM

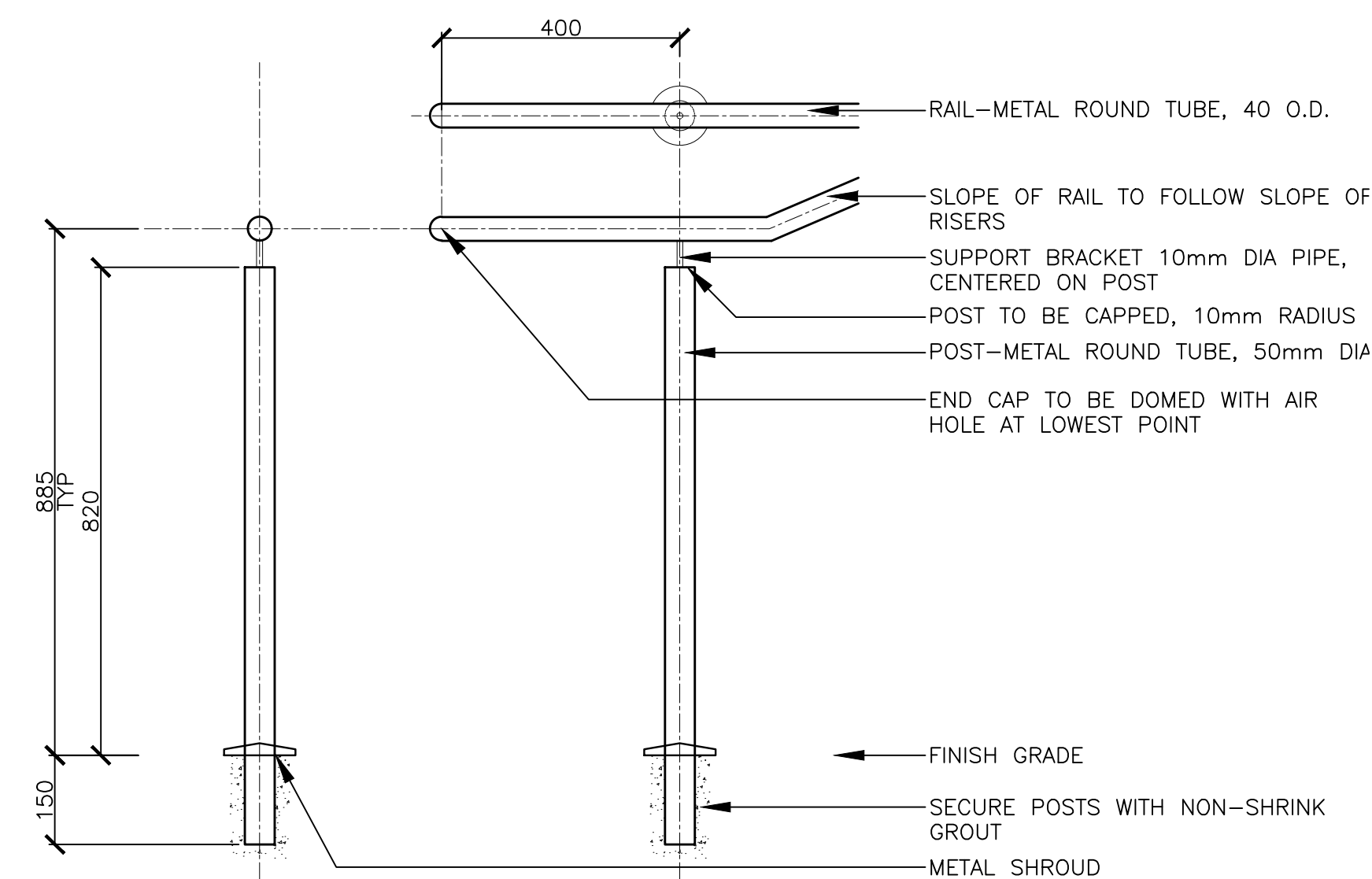


EXPANSION JOINT (EJ)  
CAST-IN-PLACE CONCRETE  
BIT. FIBRE EXPANSION BOARD W/  
CAULKED TOP. MAX WIDTH 10mm  
10M x 600mm SMOOTH STEEL DOWELS  
300mm O.C. GREASE AND SLEEVE ONE END

2 CONCRETE JOINTS 1:10



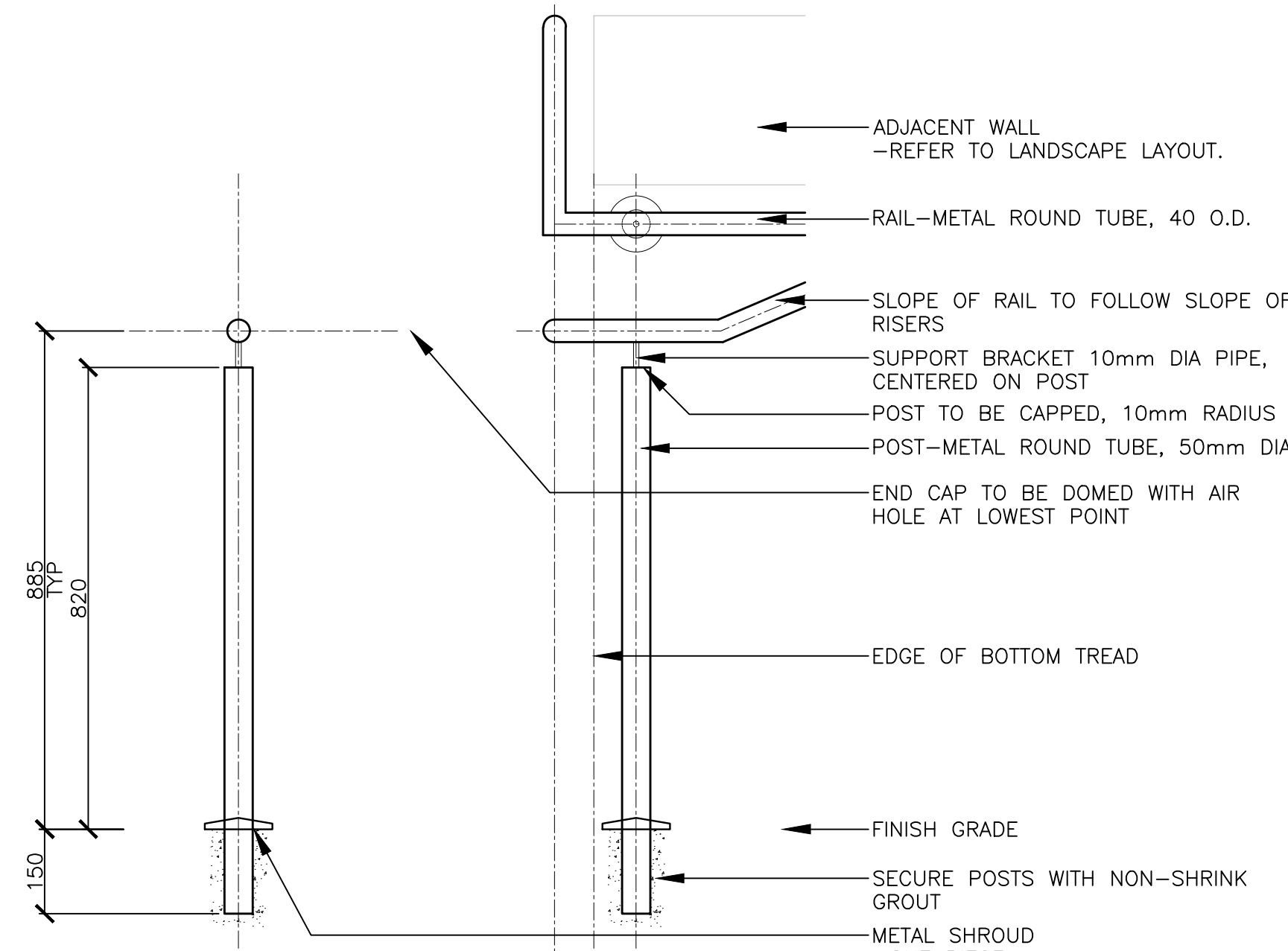
3 LANDSCAPE CURB 1:10



RAIL-METAL ROUND TUBE, 40 O.D.  
SLOPE OF RAIL TO FOLLOW SLOPE OF RISERS  
SUPPORT BRACKET 10mm DIA PIPE, CENTERED ON POST  
POST TO BE CAPPED, 10mm RADIUS  
POST-METAL ROUND TUBE, 50mm DIA  
END CAP TO BE DOMED WITH AIR HOLE AT LOWEST POINT

NOTES:  
1. ALL METAL TO BE MARINE GRADE, SAE 316, STAINLESS STEEL  
2. ALL WELDS TO BE FULL LENGTH AND BOTH SIDES OF ALL METAL SURFACES  
3. GRIND SMOOTH ALL JOINTS AND EDGES  
4. CONTRACTOR TO SUBMIT SHOP DRAWINGS FOR REVIEW PRIOR TO FABRICATION

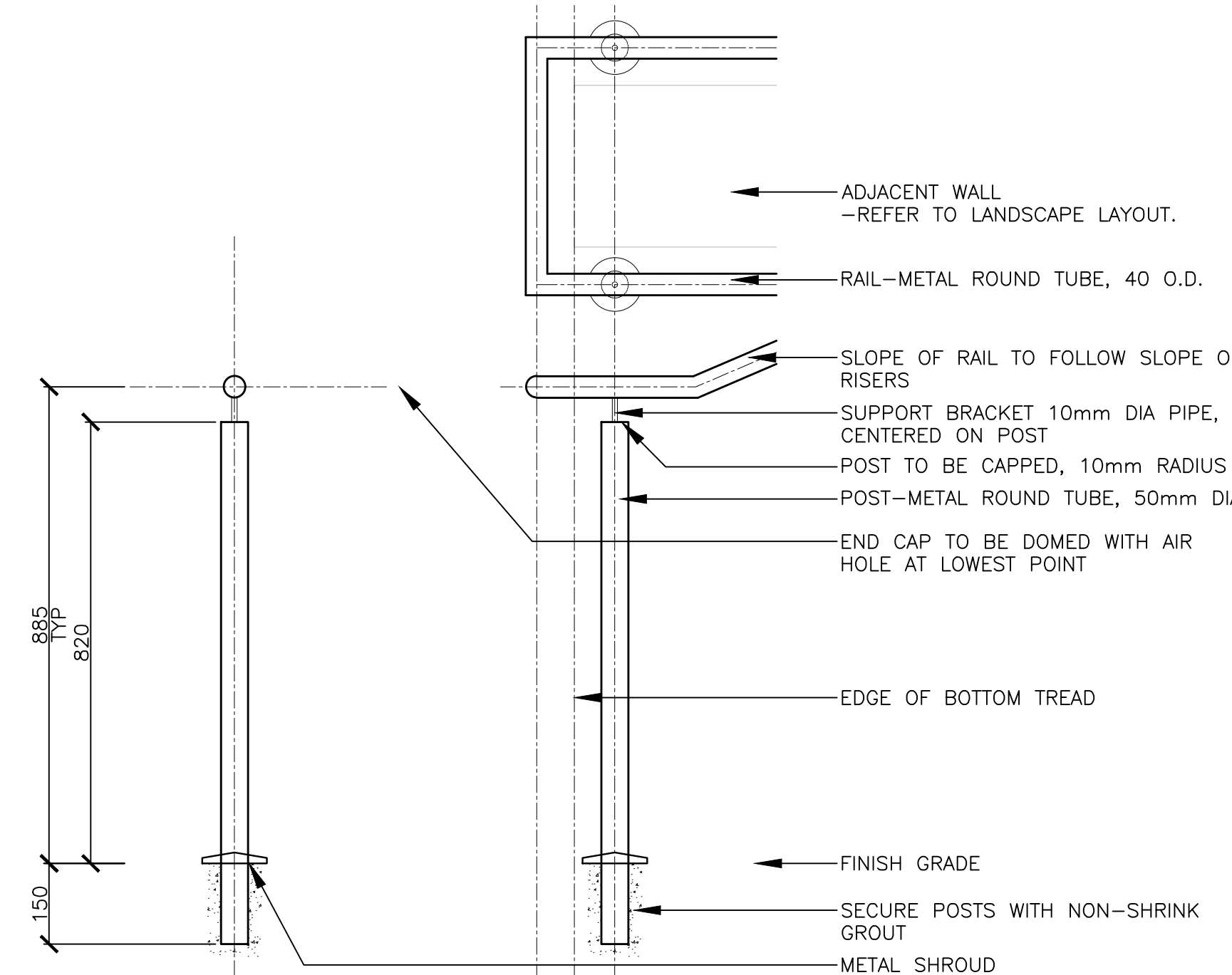
4 HAND RAIL 1:10



ADJACENT WALL - REFER TO LANDSCAPE LAYOUT.  
RAIL-METAL ROUND TUBE, 40 O.D.  
SLOPE OF RAIL TO FOLLOW SLOPE OF RISERS  
SUPPORT BRACKET 10mm DIA PIPE, CENTERED ON POST  
POST TO BE CAPPED, 10mm RADIUS  
POST-METAL ROUND TUBE, 50mm DIA  
END CAP TO BE DOMED WITH AIR HOLE AT LOWEST POINT  
EDGE OF BOTTOM TREAD

NOTES:  
1. ALL METAL TO BE MARINE GRADE, SAE 316, STAINLESS STEEL  
2. ALL WELDS TO BE FULL LENGTH AND BOTH SIDES OF ALL METAL SURFACES  
3. GRIND SMOOTH ALL JOINTS AND EDGES  
4. CONTRACTOR TO SUBMIT SHOP DRAWINGS FOR REVIEW PRIOR TO FABRICATION

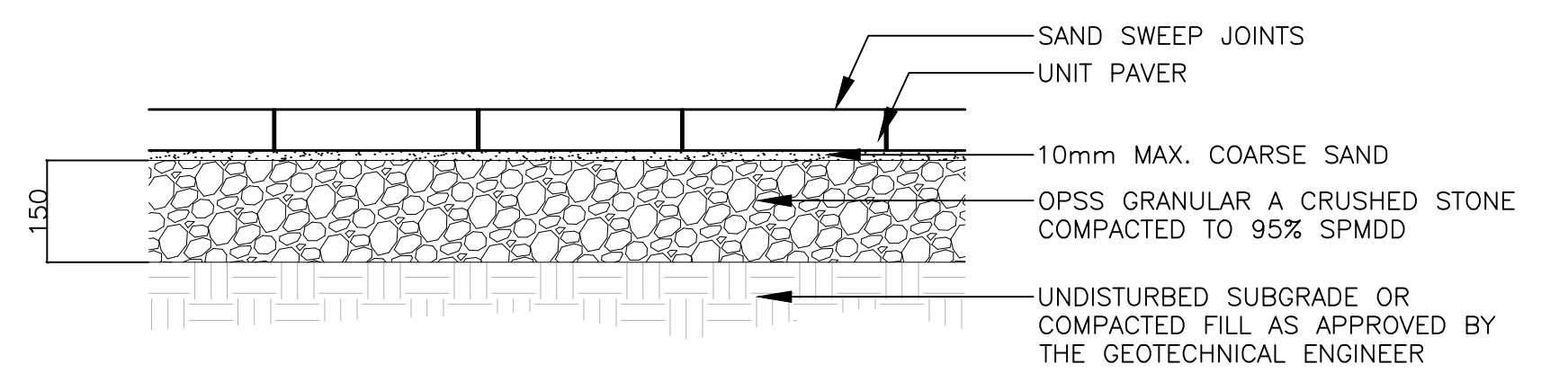
2 90 DEGREE BEND (ONE-SIDED) 1:10



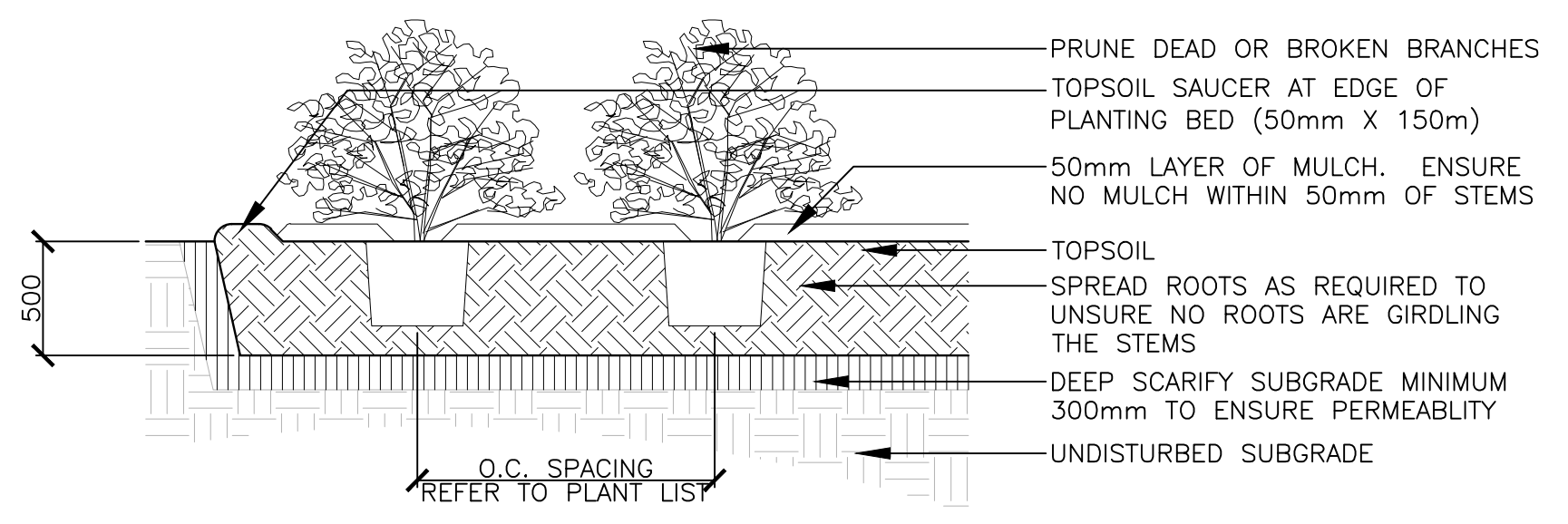
ADJACENT WALL - REFER TO LANDSCAPE LAYOUT.  
RAIL-METAL ROUND TUBE, 40 O.D.  
SLOPE OF RAIL TO FOLLOW SLOPE OF RISERS  
SUPPORT BRACKET 10mm DIA PIPE, CENTERED ON POST  
POST TO BE CAPPED, 10mm RADIUS  
POST-METAL ROUND TUBE, 50mm DIA  
END CAP TO BE DOMED WITH AIR HOLE AT LOWEST POINT  
EDGE OF BOTTOM TREAD

NOTES:  
1. ALL METAL TO BE MARINE GRADE, SAE 316, STAINLESS STEEL  
2. ALL WELDS TO BE FULL LENGTH AND BOTH SIDES OF ALL METAL SURFACES  
3. GRIND SMOOTH ALL JOINTS AND EDGES  
4. CONTRACTOR TO SUBMIT SHOP DRAWINGS FOR REVIEW PRIOR TO FABRICATION

3 90 DEGREE BEND (TWO-SIDED) 1:10



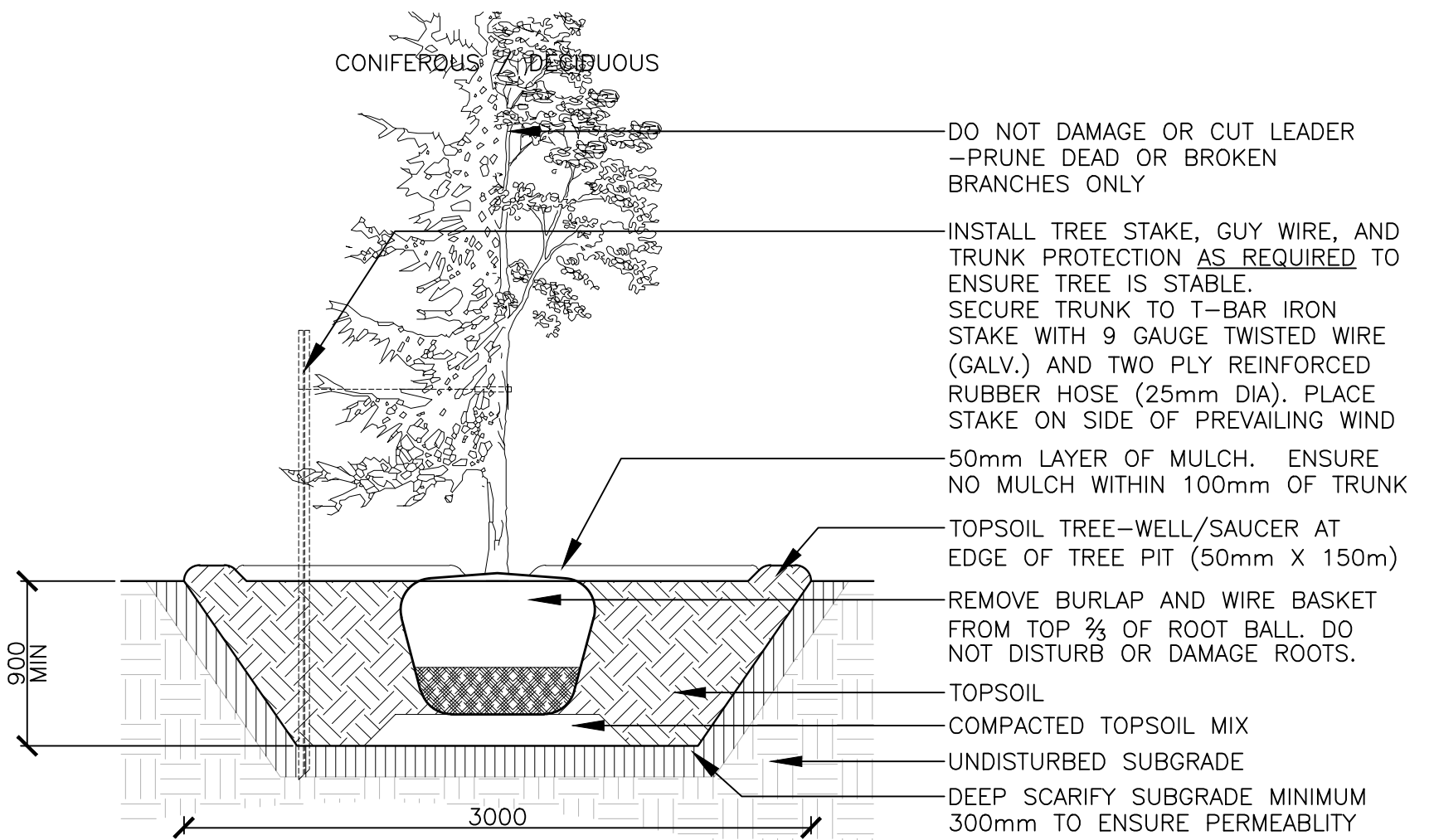
5 UNIT PAVING 1:10



PRUNE DEAD OR BROKEN BRANCHES  
TOPSOIL SAUCER AT EDGE OF PLANTING BED (50mm X 150mm)  
50mm LAYER OF MULCH. ENSURE NO MULCH WITHIN 50mm OF STEMS  
TOPSOIL  
SPREAD ROOTS AS REQUIRED TO UNSURE NO ROOTS ARE GIRDLING THE STEMS  
DEEP SCARIFY SUBGRADE MINIMUM 300mm TO ENSURE PERMEABILITY  
UNDISTURBED SUBGRADE  
O.C. SPACING REFER TO PLANT LIST

NOTES:  
TOP OF ROOT BALL TO RETAIN SAME ELEVATION AS GROWING CONDITIONS

6 SHRUB PLANTING 1:30



CONIFEROUS / DECIDUOUS  
DO NOT DAMAGE OR CUT LEADER - PRUNE DEAD OR BROKEN BRANCHES ONLY  
INSTALL TREE STAKE, GUY WIRE, AND TRUNK PROTECTION AS REQUIRED TO ENSURE TREE IS STABLE. SECURE TRUNK TO T-BAR IRON STAKE WITH 9 GAUGE TWISTED WIRE (GALV.) AND TWO PLY REINFORCED RUBBER HOSE (25mm DIA). PLACE STAKE ON SIDE OF PREVAILING WIND  
50mm LAYER OF MULCH. ENSURE NO MULCH WITHIN 100mm OF TRUNK  
TOPSOIL TREE-WELL/ SAUCER AT EDGE OF TREE PIT (50mm X 150mm)  
REMOVE BURLAP AND WIRE BASKET FROM TOP 1/2 OF ROOT BALL. DO NOT DISTURB OR DAMAGE ROOTS.  
TOPSOIL  
COMPACTED TOPSOIL MIX  
UNDISTURBED SUBGRADE  
DEEP SCARIFY SUBGRADE MINIMUM 300mm TO ENSURE PERMEABILITY

NOTES:  
TREE STAKES ARE GENERALLY ARE TO BE USED FOR CONDITIONS WHERE THE INSTALLED TREE IS UNSTABLE AND/OR BECOMES UNSTABLE  
ALLOW 10mm TO 25mm SLACK ON GUY WIRE SUPPORT FOR TREE  
TOP OF ROOT BALL TO RETAIN SAME ELEVATION AS GROWING CONDITIONS  
REMOVE STAKES ONE YEAR AFTER INSTALL  
INSTALL STAKE BEYOND EDGE OF ROOT BALL

7 TREE PLANTING 1:30

Key Plan

5	RE-ISSUED FOR SPA	12 FEB 2021
4	RE-ISSUED FOR SPA	03 SEPT 2020
3	RE-ISSUED FOR SPA	10 AUG 2020
2	ISSUED FOR SPA	17 JULY 2020
1	ISSUED FOR COORDINATION	10 JULY 2020

No.	Revision	Date
5	RE-ISSUED FOR SPA	12 FEB 2021
4	RE-ISSUED FOR SPA	03 SEPT 2020
3	RE-ISSUED FOR SPA	10 AUG 2020
2	ISSUED FOR SPA	17 JULY 2020
1	ISSUED FOR COORDINATION	10 JULY 2020

North:		Stamp:

CSW  
Landscape Architecture  
Urban Design  
Site Planning  
Recreation and Park Planning  
Project Management

319 McRae Avenue, Suite 502, Ottawa, Ontario, K1Z 0B9  
Tel: (613) 729-4536

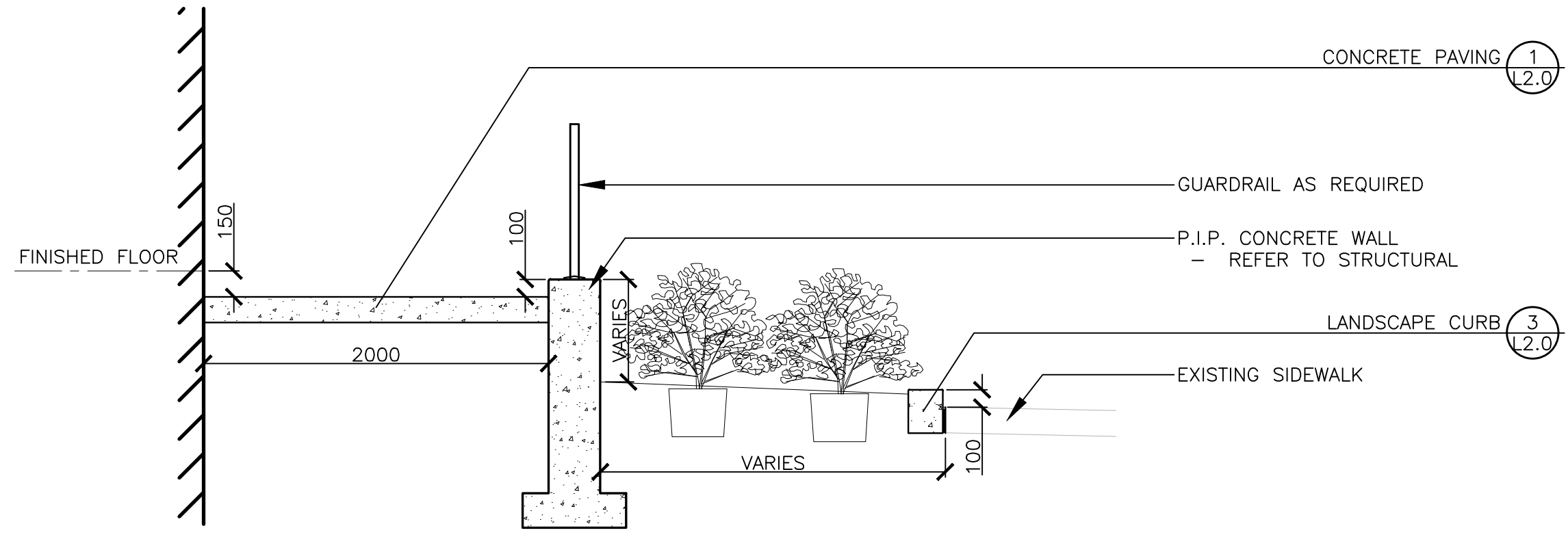
- All measurements in millimeters unless specified otherwise. Do not scale drawing. All drawings to be read in conjunction with written specifications.
- Copyright reserved. This drawing is the exclusive property of CSW Landscape Architects Ltd. and shall not be used without the consent thereof.
- This Drawing may not be used for construction until signed by the landscape architect. It is the responsibility of the contractor to:
  - check and verify all dimensions on site;
  - report all errors and/or omissions to the landscape architect;
  - comply with all pertinent codes and by-laws;
  - check and verify locations of all underground services with all local utilities prior to any digging.

Project:  
**200 BARIBEAU STREET RESIDENTIAL DEVELOPMENT**  
200 BARIBEAU STREET  
OTTAWA., ONTARIO

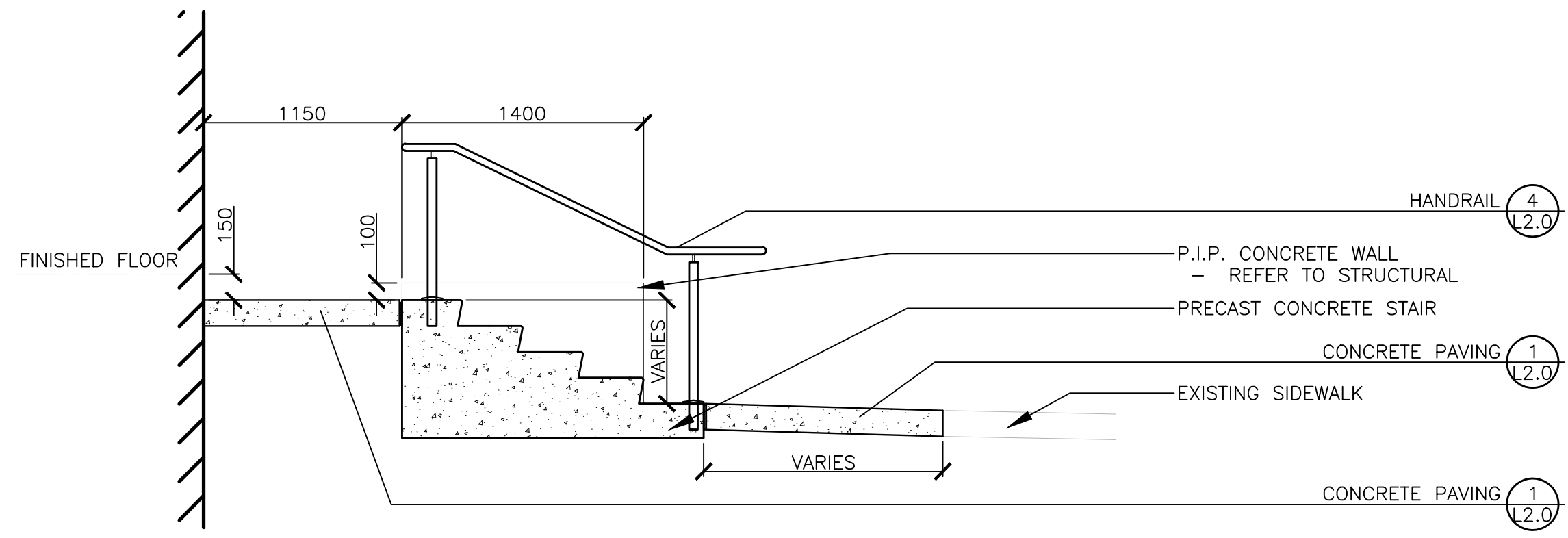
Drawing:  
**LANDSCAPE DETAILS**

Scale:	AS NOTED	Date:	JULY 06 2020
Design By:	SMc	Drawn By:	SMc
Project Number:	2053-01	Sheet Number:	L 2.0

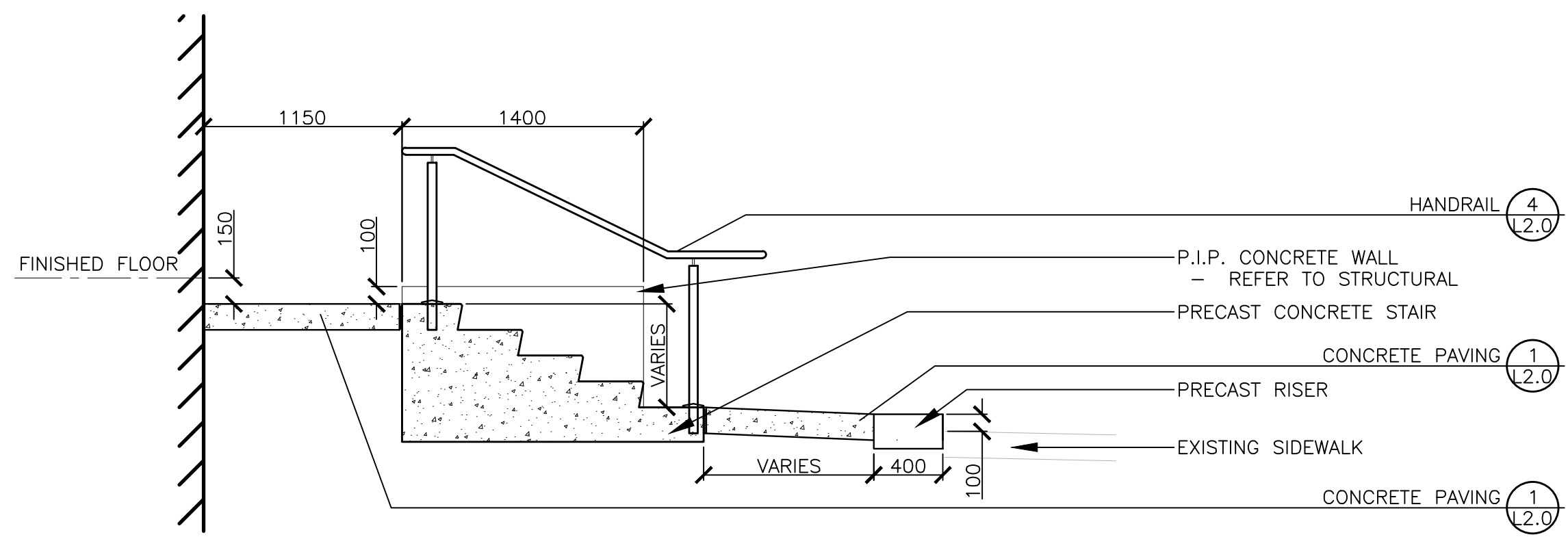
L:\01\Save\ 2021-02-09 5:31:46 PM  
 File Location: Z:\Projects\2053-01\_200 Baribeau Street\Drawings\SPA\SPA\_04\_01\_200 Baribeau Street\_SPA\_04 (Detail).dwg



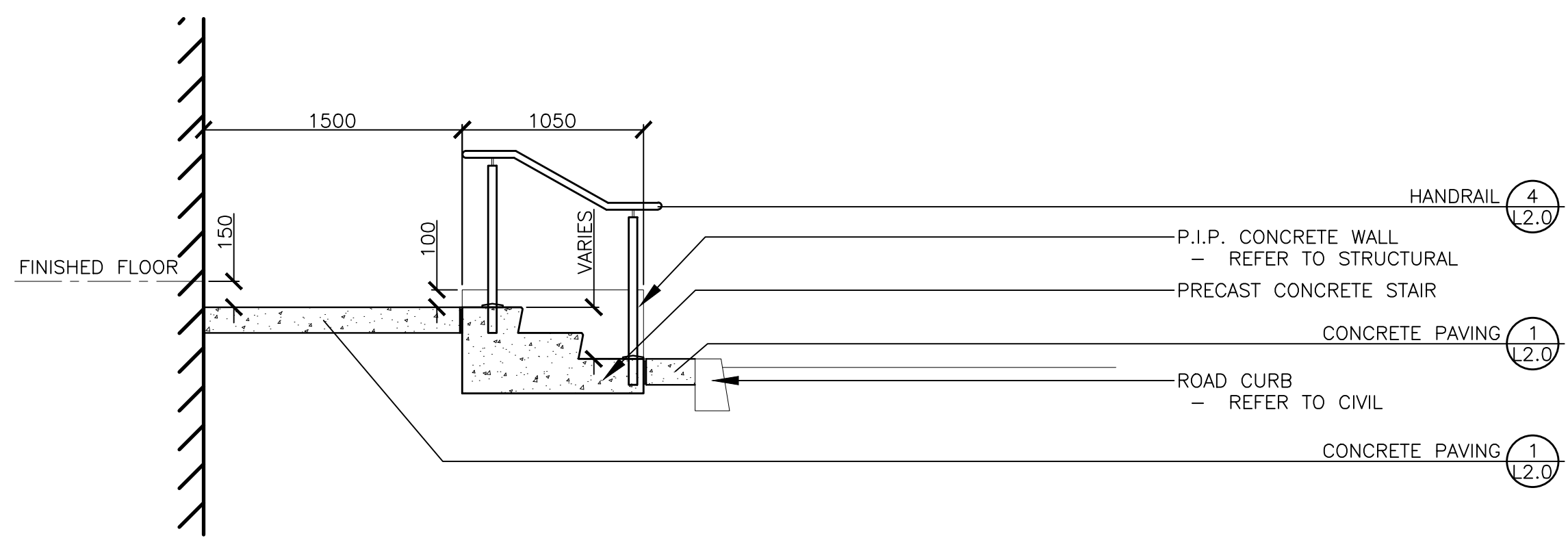
1 CROSS SECTION A- UNITS C, D, E & F 1:30



2 CROSS SECTION B- UNITS C, D, E & F 1:30



3 CROSS SECTION C- UNITS E, F 1:30



4 CROSS SECTION - UNITS A, G, H 1:30

Key Plan

No.	Revision	Date
5	RE-ISSUED FOR SPA	12 FEB 2021
4	RE-ISSUED FOR SPA	03 SEPT 2020
3	RE-ISSUED FOR SPA	10 AUG 2020
2	ISSUED FOR SPA	17 JULY 2020
1	ISSUED FOR COORDINATION	10 JULY 2020

North:

Stamp:

**CSW** Landscape Architecture  
 Urban Design  
 Site Planning  
 Recreation and Park Planning  
 Project Management

319 McRae Avenue, Suite 502, Ottawa, Ontario, K1Z 0B9  
 Tel: (613) 729-4536

- All measurements in millimeters unless specified otherwise. Do not scale drawing. All drawings to be read in conjunction with written specifications.
- Copyright reserved. This drawing is the exclusive property of CSW Landscape Architects Ltd. and shall not be used without the consent thereof.
- This Drawing may not be used for construction until signed by the landscape architect. It is the responsibility of the contractor to:
  - check and verify all dimensions on site;
  - report all errors and/or omissions to the landscape architect;
  - comply with all pertinent codes and by-laws;
  - check and verify locations of all underground services with all local utilities prior to any digging.

Project:  
**200 BARIBEAU STREET  
 RESIDENTIAL DEVELOPMENT**

200 BARIBEAU STREET  
 OTTAWA, ONTARIO

Drawing:  
**LANDSCAPE SECTIONS**

Scale: AS NOTED	Date: JULY 06 2020
Design By: SMc	Drawn By: SMc
Project Number: 2053-01	Sheet Number: L 2.1

Last Save: 2021-02-09 5:31:46 PM  
 File Location: Z:\Projects\2053-01\_200 Baribeau Street\Drawings\SPA\SPA\_042020-01\_200 Baribeau Street\_SPA04 (Details).dwg