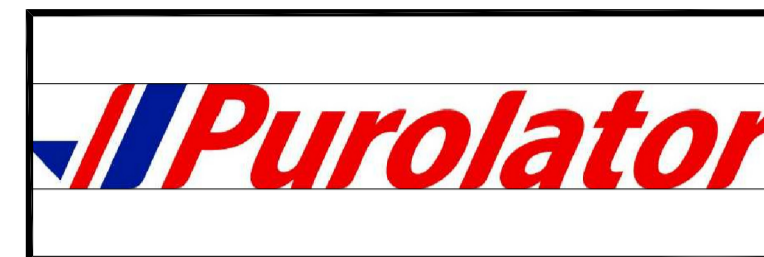


NEW	ELECTRICAL LEGEND
	610mm x 1220mm FLUORESCENT FIXTURE. LETTER DENOTES TYPE.
	610mm x 1220mm FLUORESCENT FIXTURE ON EMERGENCY LIGHTING CIRCUIT. LETTER DENOTES TYPE.
	DOWNLIGHT FIXTURE, LETTER DENOTES TYPE.
	DOWNLIGHT FIXTURE ON EMERGENCY LIGHTING CIRCUIT, LETTER DENOTES TYPE.
	STRIP FIXTURE. LENGTH AS SHOWN. LETTER DENOTES TYPE.
	WALL MOUNTED FIXTURE ON EMERGENCY LIGHTING CIRCUIT. LETTER DENOTES TYPE.
	WALL MOUNTED FIXTURE, LETTER DENOTES TYPE.
	EXTERIOR LIGHT STANDARD FIXTURE. LETTER DENOTES TYPE.
	EXIT LIGHT, CEILING MOUNTED, C/W DIRECTIONAL ARROWS AS NOTED.
	EXIT LIGHT, WALL MOUNTED, C/W DIRECTIONAL ARROWS AS NOTED.
	DIMMER SWITCH. OS = OCCUPANCY SENSOR.
	120V OCCUPANCY SENSOR.
	LOW VOLTAGE SWITCH.
	LOW VOLTAGE DUAL TECHNOLOGY OCCUPANCY SENSOR, CEILING MOUNTED.
	DAYLIGHT HARVESTING DIMMING PHOTOSENSOR.
	EMERGENCY BATTERY UNIT WITH TWO (2) INTEGRAL HEADS AS SHOWN.
	EMERGENCY TWIN REMOTE HEADS.
	FIRE ALARM PULL STATION.
	FIRE ALARM SPEAKER. CEILING MOUNTED TYPE.
	FIRE ALARM SPEAKER. WALL MOUNTED TYPE.
	COMBINATION FIRE ALARM SPEAKER/STROBE. CEILING MOUNTED TYPE.
	COMBINATION FIRE ALARM SPEAKER/STROBE. WALL MOUNTED TYPE.
	SMOKE DETECTOR, CEILING MOUNTED TYPE.
	FIRE ALARM SMOKE DETECTOR, DUCT MOUNTED TYPE.
	FIRE ALARM CONTROL PANEL.
	PRESSURE SWITCH.
	FLOW SWITCH.
	SUPERVISED VALVE.
	FIRE ALARM INTELLIGENT ADDRESSABLE MODULE.
	END OF LINE RESISTOR.
	FIRE ALARM ISOLATOR MODULE.
	FIRE ALARM RELAY MODULE.

NEW	ELECTRICAL LEGEND
	15A, 120V, DUPLEX RECEPTACLE. LINE ACROSS INDICATES ELEVATED HEIGHT.
	15A, 120V, DUPLEX RECEPTACLE ON DEDICATED CIRCUIT.
	SPECIAL RECEPTACLE AS NOTED. 20A, 120V, 5-20R DUPLEX RECEPTACLE U.O.N. LINE ACROSS INDICATES ELEVATED HEIGHT.
	QUADPLEX, 15A, 120V, TWO (2) DUPLEX RECEPTACLES UNDER COMMON COVER PLATE.
	15A, 120V, CEILING MOUNTED DUPLEX RECEPTACLE.
	15A, 120V, CEILING MOUNTED ISOLATED GROUND DUPLEX RECEPTACLE (ORANGE).
	RECESSED FURNITURE BASEFEED FLOOR BOX.
	HARD WIRED CONNECTION TO EQUIPMENT.
	COMBINATION FLUSH FLOOR BOX.
	SURFACE MOUNTED ELECTRICAL PANEL.
	TRANSFORMER (RATED AS SHOWN).
	GROUND BUS BAR.
	JUNCTION BOX.
	UNIT HEATER, CEILING MOUNTED. RATED AS SHOWN.
	ELECTRIC BASEBOARD HEATING UNIT. RATED AS SHOWN.
	ELECTRIC FORCE FLOW HEATING UNIT.
	LINE VOLTAGE THERMOSTAT.
	MOTOR CONNECTION.
	MOTOR RATED SWITCH.
	KEY SWITCH.
	TIME SWITCH.
	SPEED CONTROL.
	DISCONNECT SWITCH.
	MANUAL STARTER.
	MAGNETIC STARTER. (C DENOTES COMBINATION STARTER).
	TIME CLOCK.
	DIGITAL MONITORING SYSTEM.
	UTILITY METER.
	U/G RACEWAY FOR POWER SERVICES.

NEW	ELECTRICAL LEGEND
	COMBINATION TELEPHONE/DATA OUTLET. LINE ACROSS INDICATES ELEVATED HEIGHT.
	COMBINATION TELEPHONE/DATA OUTLET. CEILING MOUNTED TYPE.
	AUDIO/VIDEO 1-GANG BOX RECESSED WALL OUTLET. (CONDUIT/BACK BOX ONLY, DEVICES AND WIRING BY OTHERS)
	2-GANG RECESSED A/V CONTROLLER. (CONDUIT/BACK BOX ONLY, DEVICES AND WIRING BY OTHERS)
	EMPTY CONDUIT.
	CABLE TRAY.
	U/G RACEWAY FOR COMMUNICATION SERVICES.
	MAGNETIC DOOR HOLDER.
	CARD ACCESS (CONDUIT/BACK BOX ONLY, DEVICES AND WIRING BY OTHERS).
	INTERCOM (CONDUIT/BACK BOX ONLY, DEVICES AND WIRING BY OTHERS).
	DOOR CONTACT (CONDUIT/BACK BOX ONLY, DEVICES AND WIRING BY OTHERS).
	ELECTRIC STRIKE (CONDUIT/BACK BOX ONLY, DEVICES AND WIRING BY OTHERS).
	POWER TRANSFER HINGE (CONDUIT/BACK BOX ONLY, DEVICES AND WIRING BY OTHERS).
	REQUEST TO EXIT (CONDUIT/BACK BOX ONLY, DEVICES AND WIRING BY OTHERS).
	LOOP SENSOR (CONDUIT/BACK BOX ONLY, DEVICES AND WIRING BY OTHERS).
	ELECTRICAL VEHICLE CHARGING STATION.
	FUTURE ELECTRICAL VEHICLE CHARGING STATION. (CONDUIT/ROUGH IN ONLY).
	BIX BOARD. (SHOWN FOR REFERENCE ONLY).
	REGULATED POWER SUPPLY.
	STEP-DOWN TRANSFORMER.
	AV CAMERA, CEILING MOUNTED TYPE. (SHOWN FOR REFERENCE ONLY, BY AV CONTRACTOR).
	AV MICROPHONE, CEILING MOUNTED TYPE. (SHOWN FOR REFERENCE ONLY, BY AV CONTRACTOR).
	AV SPEAKER, CEILING MOUNTED TYPE. (SHOWN FOR REFERENCE ONLY, BY AV CONTRACTOR).
	PARTITION SENSOR, CEILING MOUNTED TYPE. (BACK BOX ONLY, DEVICES AND WIRING BY AV CONTRACTOR).
	LAVATORY/EMERGENCY STATION, BUTTON TYPE. 1-GANG BACKBOX.
	LIGHT AND SOUNDER.
	RED/GREEN LOADING DOCK INDICATOR LIGHT. (CONDUIT, BACK BOX AND WIRING ONLY ONLY, DEVICES BY OTHERS).
	AMBER DRIVE IN STROBE LIGHT. (CONDUIT, BACK BOX AND WIRING ONLY ONLY, DEVICES BY OTHERS).
	BARRIER-FREE PUSH PLATE. (CONDUIT/BACK BOX ONLY, DEVICES AND WIRING BY OTHERS).
	START/STOP/REVERSE BUTTON. (CONDUIT, DEVICE AND WIRING INSTALLED BY ELECTRICAL CONTRACTOR, DEVICES BY OTHERS).
	CEILING MOUNTED CAMERA. (CONDUIT/BACK BOX ONLY, DEVICES AND WIRING BY OTHERS).
	CONDUIT SLEEVE.

ABBREVIATIONS:  
HT - HEIGHT  
GFI - GROUND FAULT INTERRUPTER  
WP - WEATHER PROOF  
U.O.N. - UNLESS OTHERWISE NOTED  
N.T.S. - NOT TO SCALE  
N.I.C. - NOT IN CONTRACT  
C/W - COMPLETE WITH  
U/G - UNDER GROUND  
POW - POWER SERVICES  
COMMS - COMMUNICATION SERVICES  
AFF - ABOVE FINISHED FLOOR  
C - CEILING MOUNTED



no.	revision	date
4	RE-ISSUE FOR SITE PLAN CONTROL	29 Sep. 2023
3	ISSUE FOR 60% SUBMISSION	14 Aug. 2023
2	60% COORDINATION	15 Jan. 2021
1	ISSUED FOR 30% REVIEW	13 Nov. 2020

**McKEE ENGINEERING**  
R.J. McKEE ENGINEERING LTD.  
1785 Woodward Drive  
Ottawa, ON K2C 0P9  
CANADA  
Tel: (613) 723-9585  
Fax: (613) 723-9584  
www.mckeeottawa.ca

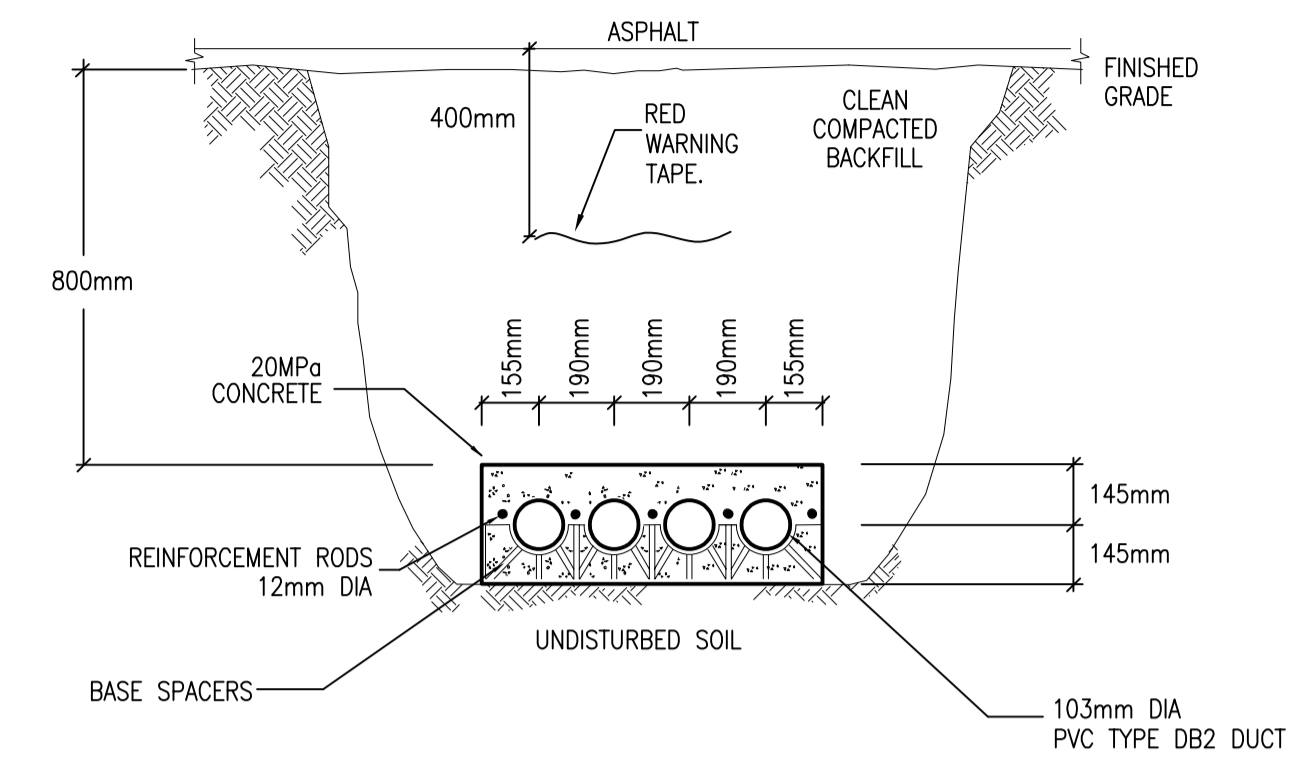
project  
**PURULATOR DISTRIBUTION KANATA**  
1400 UPPER CANADA STREET,  
KANATA, ONTARIO

construction north

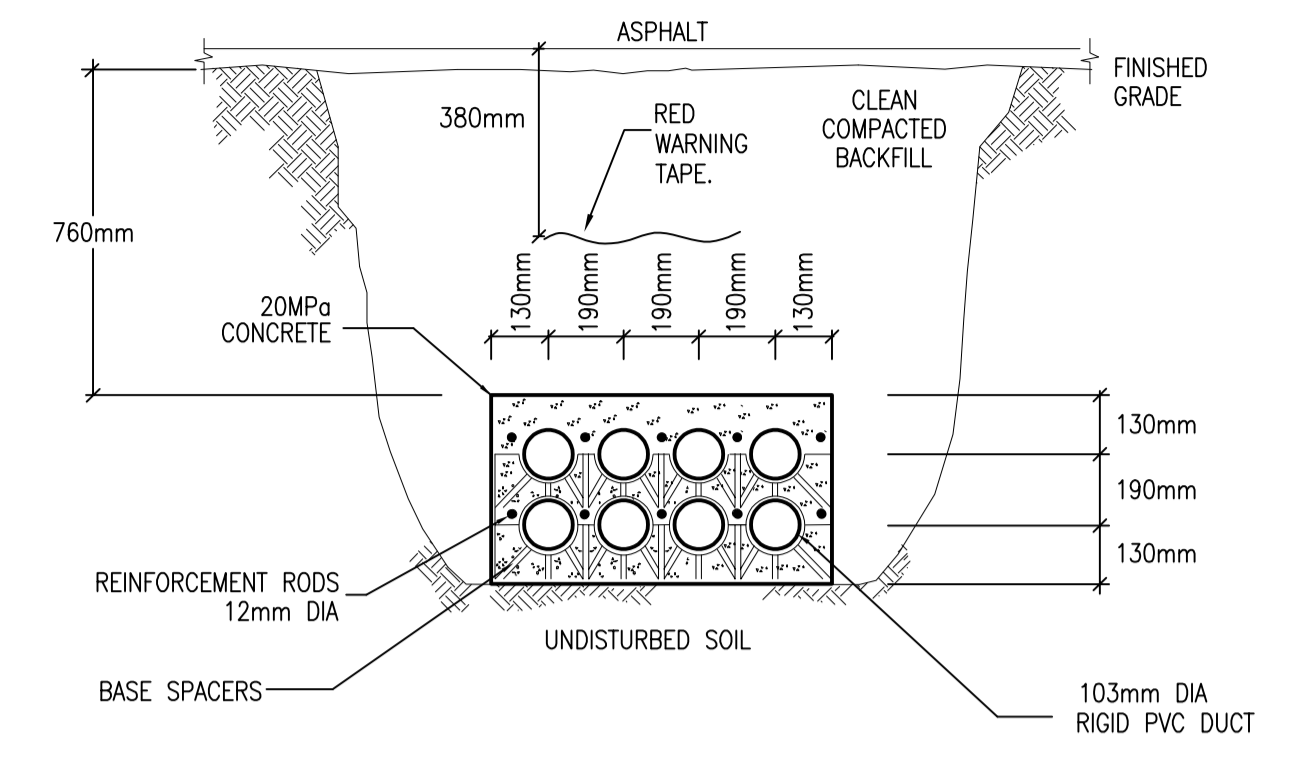
seal

drawing title	
ELECTRICAL LEGEND	
scale N.T.S.	drawn by N.H.
date Jan. 2020	checked by B.T.
project number 20029	drawing number E001
CONTRACTOR TO VERIFY ALL DIMENSIONS AND NOTIFY THE ARCHITECT OF ANY DISCREPANCIES BEFORE WORK COMMENCES. DO NOT SCALE DRAWINGS.	
revision	

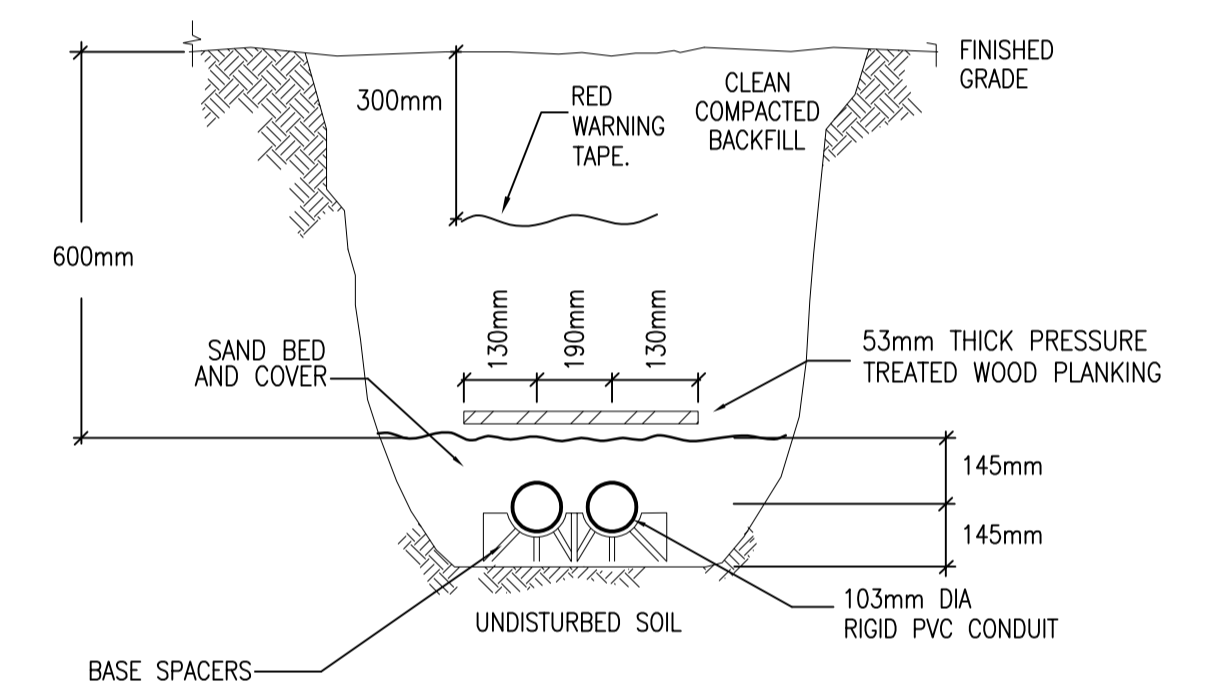




1 TRENCH DETAIL – PRIMARY 4 CELL  
E003 CONCRETE ENCASED

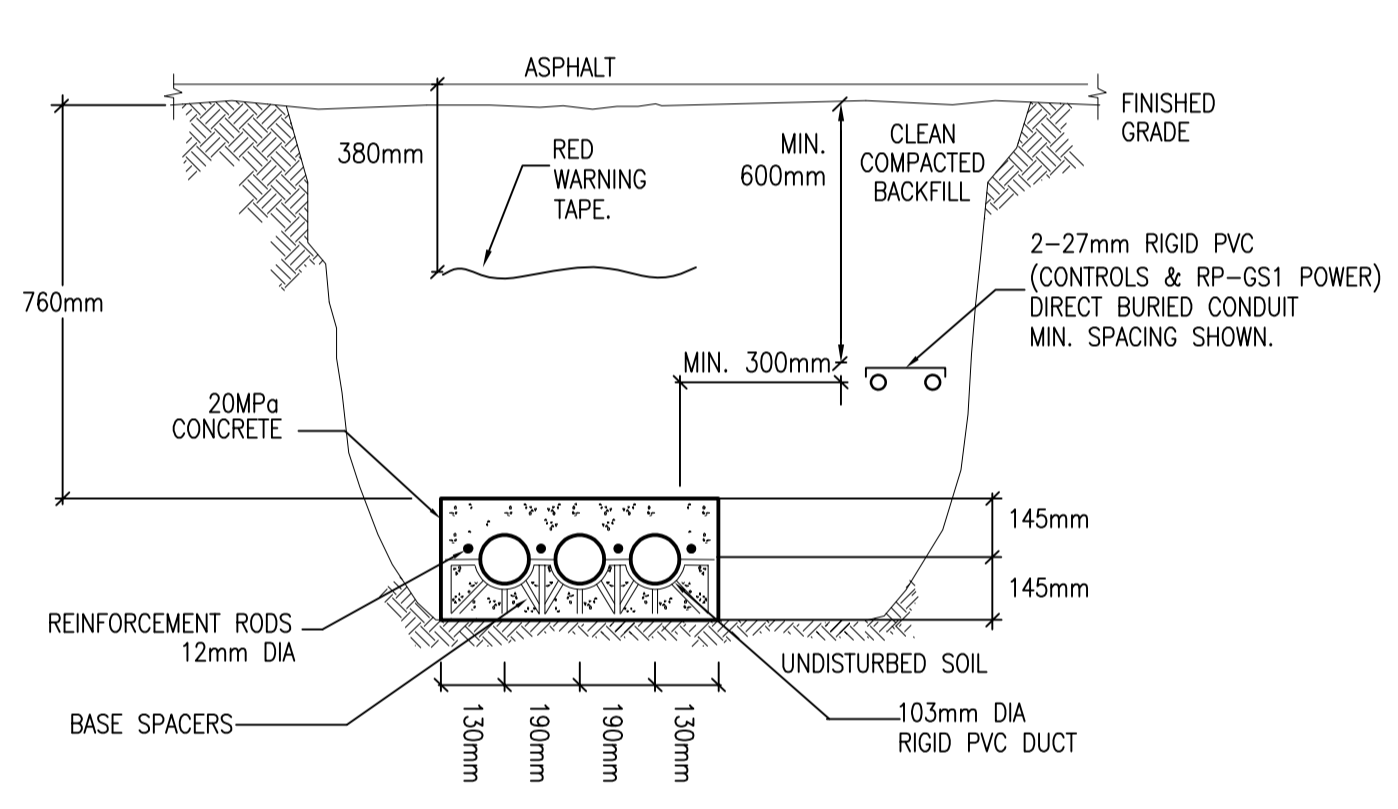


2 TRENCH DETAIL – SECONDARY 8 CELL  
E003 CONCRETE ENCASED

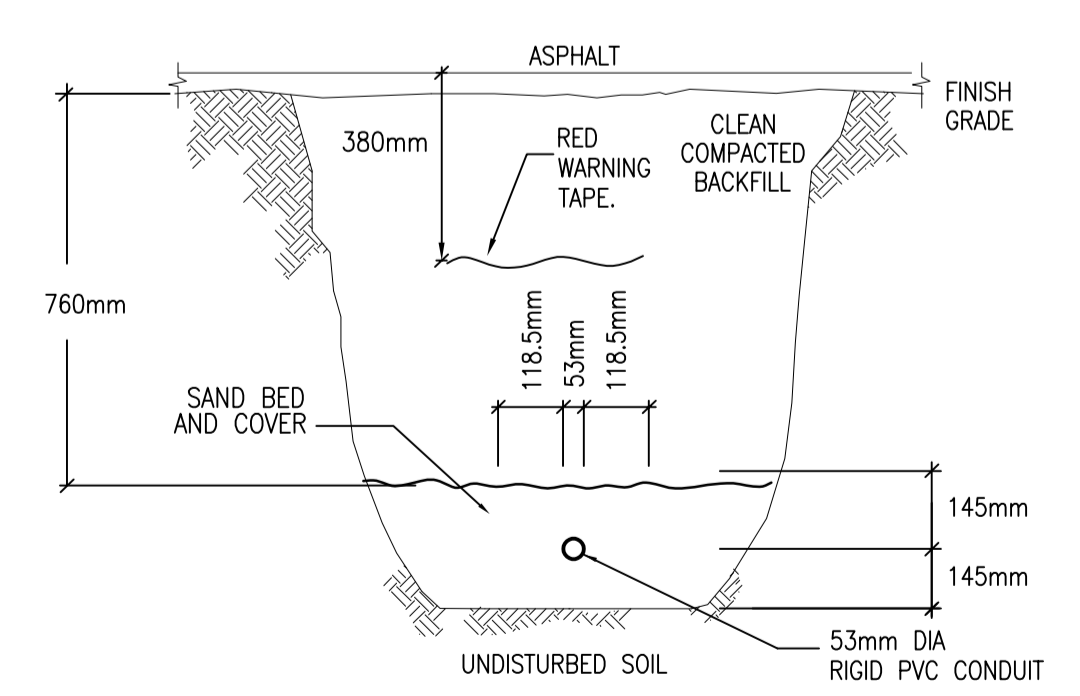


3 TRENCH DETAIL – COMMUNICATION 2 CELL  
E003 DIRECT BURIED

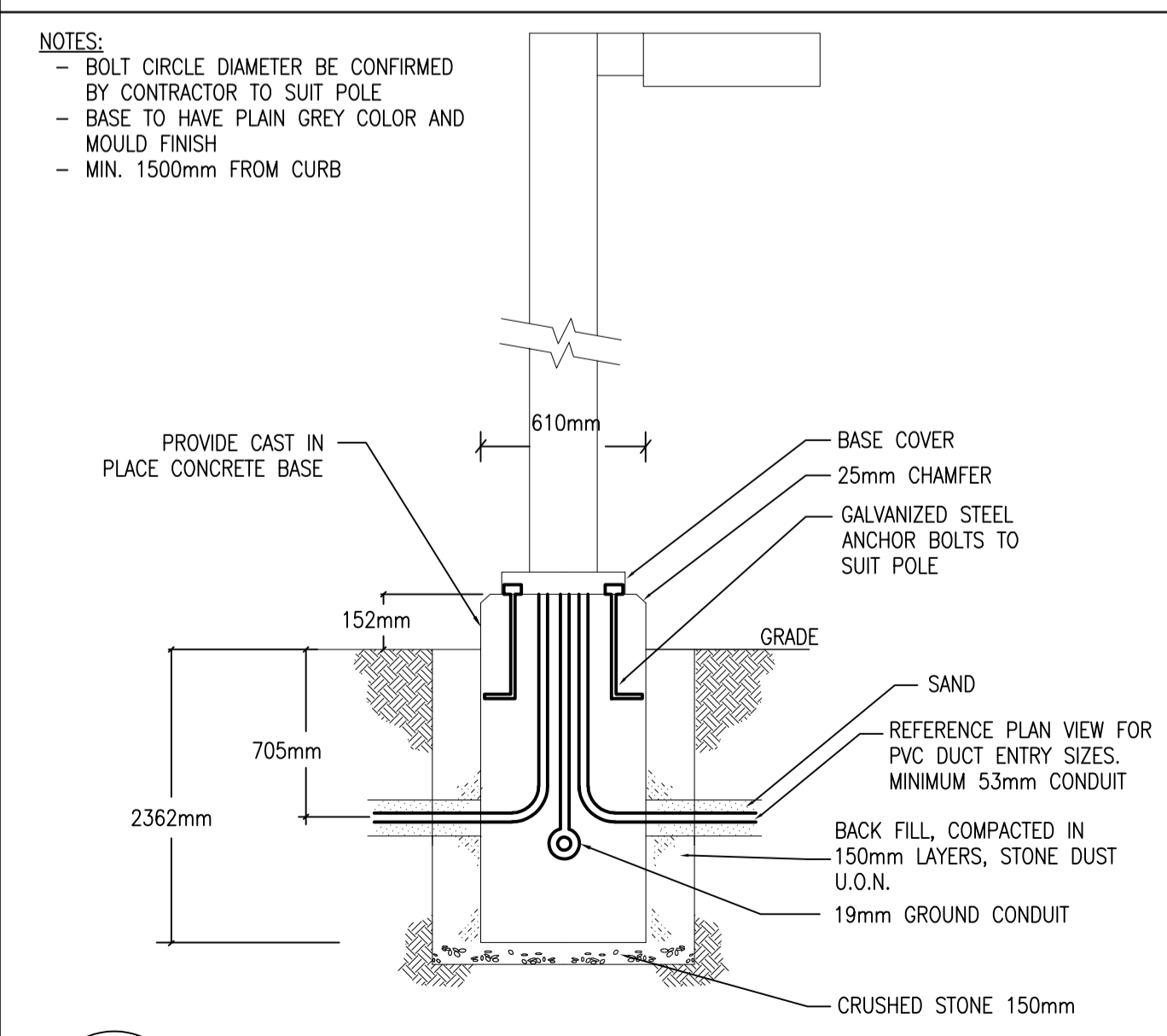
SEPARATE CONDUIT MINIMUM OF 300mm FROM HYDRO AND OTHER TELECOMMUNICATION SERVICES.



4 GENERATOR TRENCH DETAIL  
E003 DIRECT BURIED



5 DIRECT BURIED CONDUIT FOR EXTERIOR  
E003 LIGHTING STANDARDS OR POWER



6 MOUNTING OF LAMP POST BASE  
E003 CURBED AREAS

NOTES:  
- BOLT CIRCLE DIAMETER BE CONFIRMED BY CONTRACTOR TO SUIT POLE  
- BASE TO HAVE PLAIN GREY COLOR AND MOULD FINISH  
- MIN. 1500mm FROM CURB

no.	revision	date
4	RE-ISSUE FOR SITE PLAN CONTROL	29 Sep. 2023
3	ISSUE FOR 60% SUBMISSION	14 Aug. 2023
2	60% COORDINATION	15 Jan. 2021
1	ISSUED FOR 30% REVIEW	13 Nov. 2020

**MCKEE** ENGINEERING  
R.J. MCKEE ENGINEERING LTD.  
1785 Woodward Drive  
Ottawa, ON K2C 0P9  
CANADA  
Tel: (613) 723-9585  
Fax: (613) 723-9584  
www.mckeeottawa.ca

project  
**Purolator DISTRIBUTION KANATA**  
1400 UPPER CANADA STREET,  
KANATA, ONTARIO

construction north  
true north

PROFESSIONAL ENGINEER  
B. C. THORNHILL  
Sept. 29/23  
PROVINCE OF ONTARIO

drawing title  
**ELECTRICAL: SITE PLAN DETAILS**

scale N.T.S.	drawn by N.H.
date Jan. 2020	checked by B.T.
project number 20029	drawing number <b>E003</b>
CONTRACTOR TO VERIFY ALL DIMENSIONS AND NOTIFY THE ARCHITECT OF ANY DISCREPANCIES BEFORE WORK COMMENCES. DO NOT SCALE DRAWINGS.	
revision	