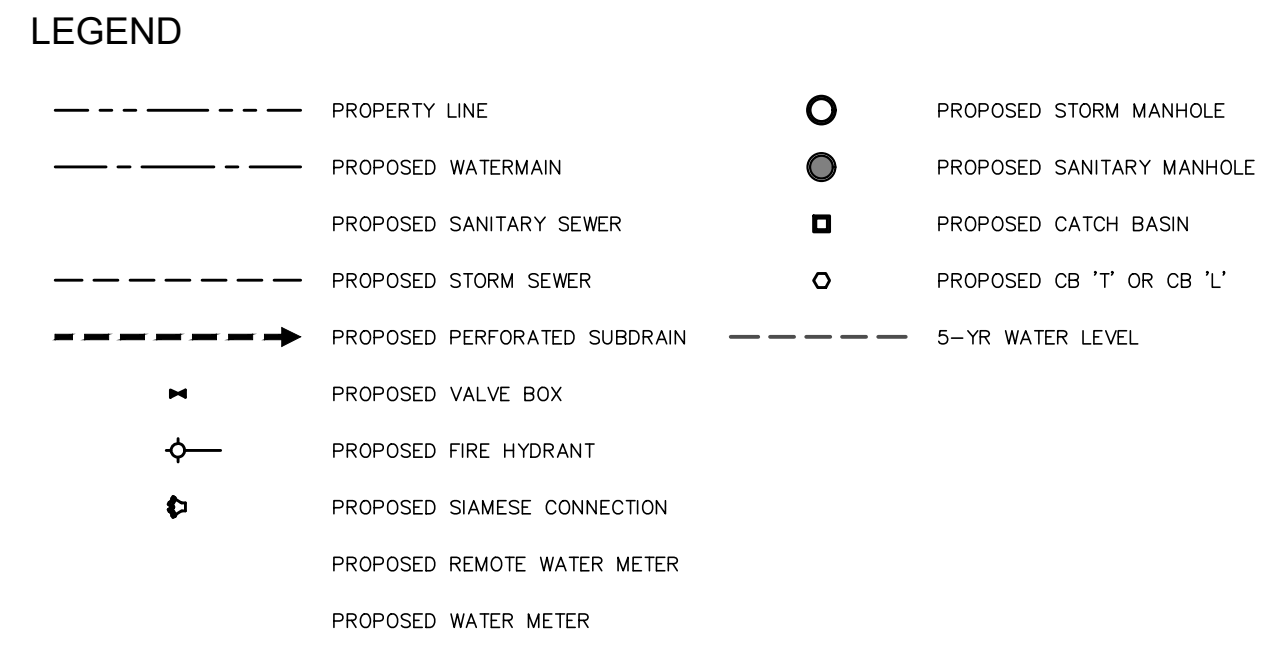
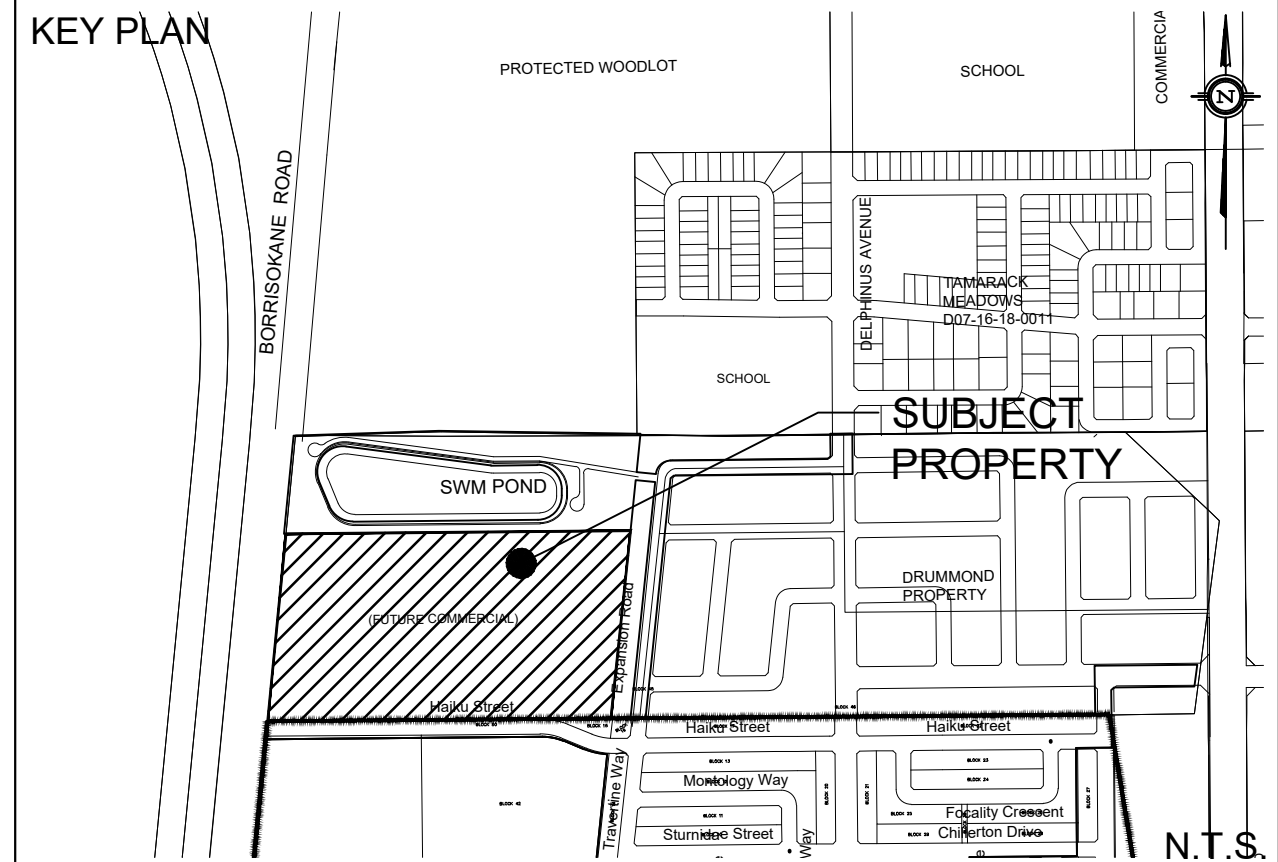


REFER TO SWM POND BLOCK DESIGN BY CAIVAN COMMUNITIES (D07-16-19-0005)

REFER TO DS-1



EXISTING UNDERGROUND SERVICES AND UTILITY LOCATIONS DERIVED FROM THE BEST AVAILABLE DATA, AS-CONSTRUCTED DRAWINGS, UTILITY DRAWINGS AND INFRASTRUCTURE MAPPING PROVIDED BY THE CITY OF OTTAWA.

CONTRACTOR TO CONFIRM ELEVATIONS AND LOCATIONS OF EXISTING UNDERGROUND SERVICES AND UTILITIES WITHIN THE RIGHT OF WAY PRIOR TO INSTALLATION OF SITE SERVICING INFRASTRUCTURE.

THE CONTRACTOR SHALL IMPLEMENT BEST MANAGEMENT PRACTICES, TO PROVIDE FOR PROTECTION OF THE AREA DRAINAGE SYSTEM AND THE RECEIVING WATERCOURSE. DURING CONSTRUCTION ACTIVITIES, THE CONTRACTOR ACKNOWLEDGES THAT THE FAILURE TO IMPLEMENT APPROPRIATE EROSION AND SEDIMENT CONTROL MEASURES MAY BE SUBJECT TO PENALTIES IMPOSED BY ANY APPLICABLE REGULATORY AGENCY.

NOT FOR CONSTRUCTION

TOPOGRAPHIC INFORMATION: TOPOGRAPHIC INFORMATION PROVIDED BY J.D. BARNES LIMITED. PROJ. NO. 18-10-145-00. DATED JULY 10, 2019.

SITE PLAN INFORMATION: SITE PLAN PROVIDED BY FIGURR COLLECTIF D'ARCHITECTES. PROJ. NO. 19-1134. DATED AUGUST 28, 2020.

GEOTECHNICAL STUDY: GEOTECHNICAL RECOMMENDATIONS PROVIDED BY PATERSON GROUP. PROJ. NO. PG5155-1. DATED FEBRUARY 10, 2020.

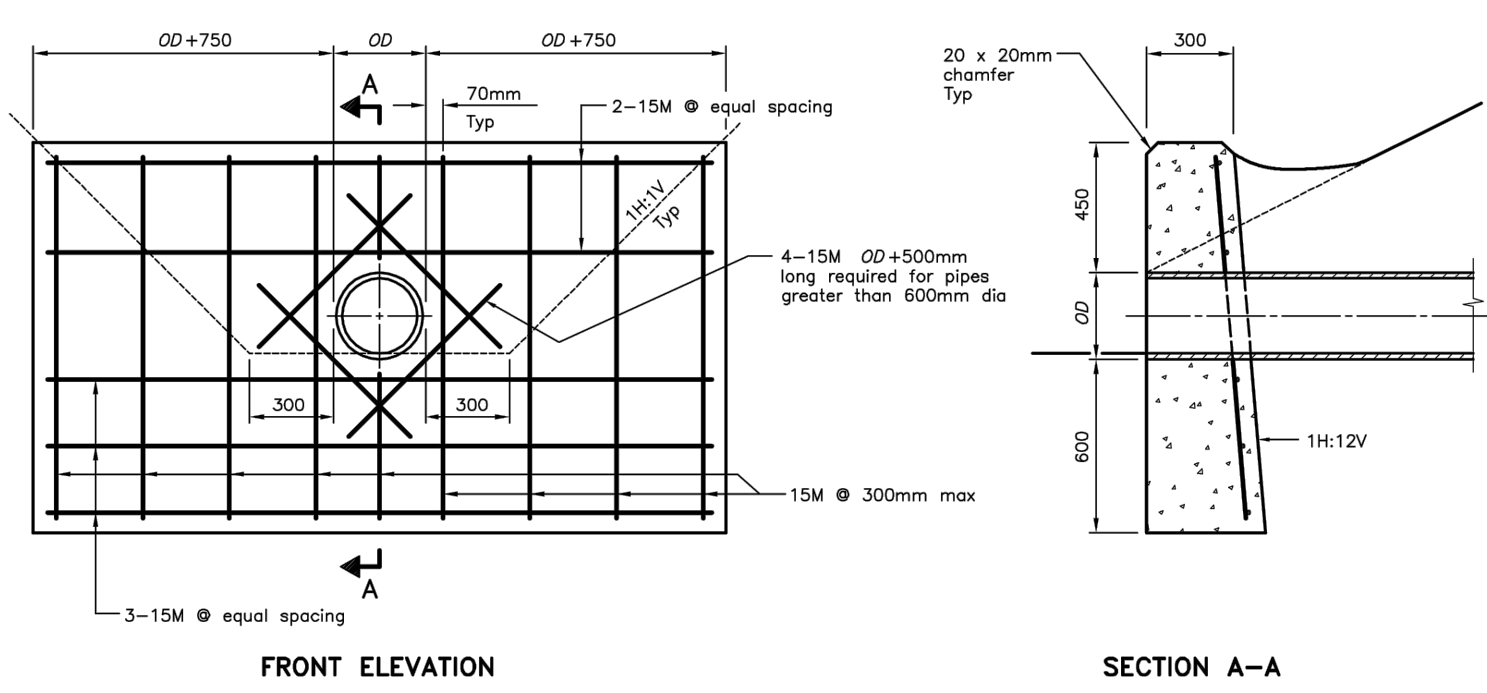
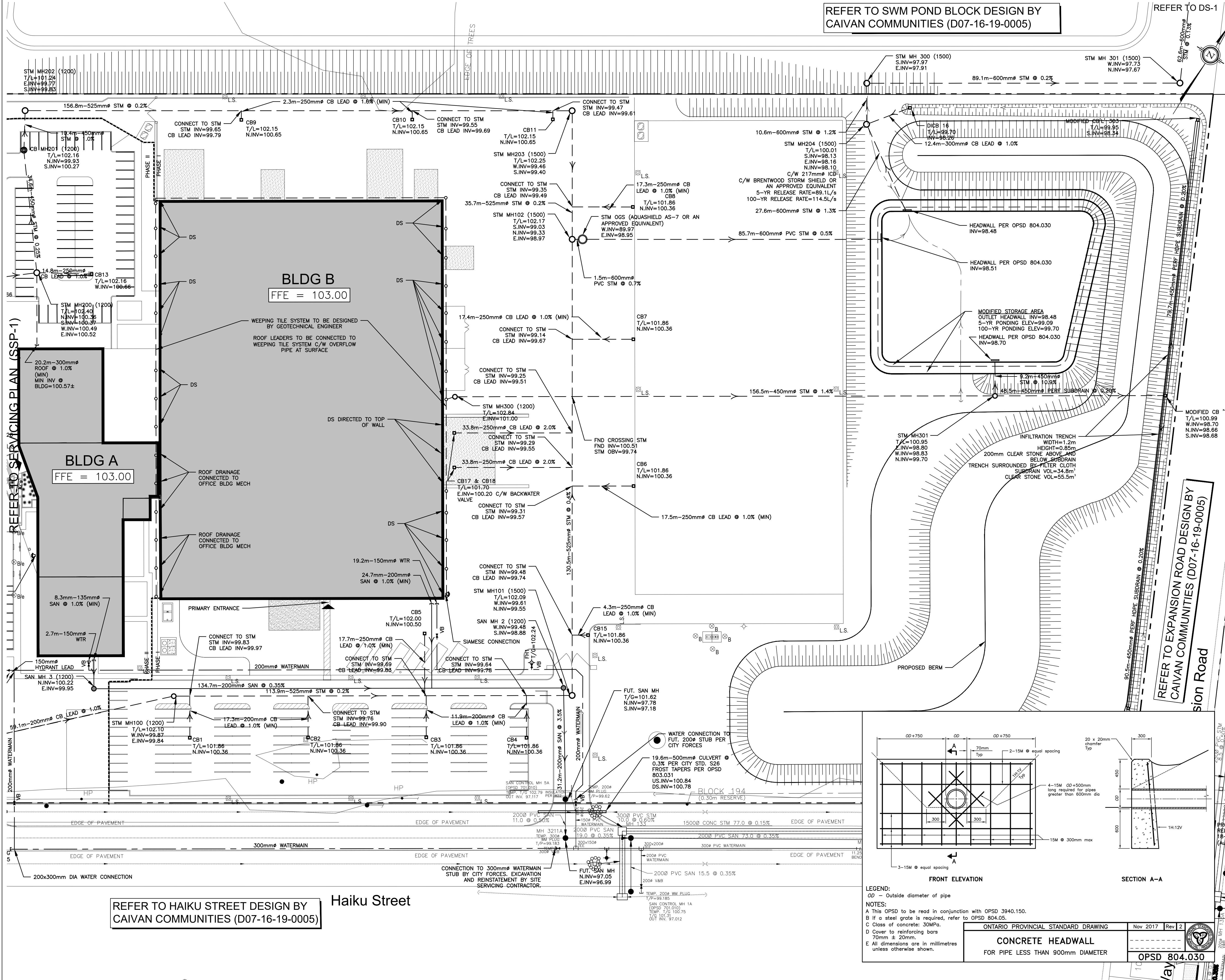
SITE SERVICING AND STORMWATER MANAGEMENT STUDY: SERVICING AND STORMWATER MANAGEMENT RECOMMENDATIONS PROVIDED BY DSEL. PROJ. NO. 19-1134. DATED SEPTEMBER 2020.

BENCH MARK: LOCATION: CONCRETE ROAD BRIDGE OVER JOCK RIVER (N45°15'39", W75°44'06"). ELEVATIONS SHOWN ON THIS PLAN ARE RELATED TO GEODETIC DATUM AND ARE DERIVED FROM THE MUNICIPALITY BENCHMARK NO. 001196403710 HAVING A PUBLISHED ELEVATION OF 91.724 METERS.

Table with 4 columns: No., BY, DATE, DESCRIPTION. Lists various drawing issues and their resolution dates.

Professional Engineer seal for A.J. Gosling, License No. 10022626, dated 2020-09-21, Province of Ontario.

PROJECT No. 19-1134. SITE SERVICING PLAN. 3713 BORRISOKANE ROAD. CAIVAN GREENBANK NORTH INC. 2934 Baseline Road, Suite 302, Ottawa, Ontario, K2H 1B2. DSEL logo and contact info.



LEGEND and NOTES for the concrete headwall. Includes Ontario Provincial Standard Drawing info: CONCRETE HEADWALL FOR PIPE LESS THAN 900mm DIAMETER, OPSD 804.030, Nov 2017 Rev 2.

REFER TO HAIKU STREET DESIGN BY CAIVAN COMMUNITIES (D07-16-19-0005)

Haiku Street