



Date: \_\_\_\_\_ Fixture: \_\_\_\_\_  
QTY: \_\_\_\_\_ Project: \_\_\_\_\_



## Lumenova Lantern

### Post Top Outdoor Area Luminaire

Coach style lamp post LED luminaire. Black finish with frosted lens.  
Aluminum construction. Street lighting, parks and landscaped area applications.  
cULus listed. 10 Year Warranty.

### Performance

| Model            | Watts | Lm/W | Delivered Lumens |
|------------------|-------|------|------------------|
| Lumenova Lantern | 48    | 125  | 6,000            |
|                  | 65    | 125  | 8,125            |

### Ordering Options

| MODEL                   | WATTS    | COLOR TEMP                                    | VOLTAGE              | LENS       | MOUNTING        | WIRING   |
|-------------------------|----------|---|----------------------|------------|-----------------|--|
| Lumenova Lantern        | 48<br>65 | 3K 3000K<br>35K 3500K<br>4K 4000K<br>5K 5000K | U 120/277V<br>H 347V | FR Frosted | POST TOP        | BFC Black Flexible Cord<br>WFC White Flexible Cord |
| <b>LUMENOVA LANTERN</b> |          |   |                      | <b>FR</b>  | <b>POST TOP</b> |  |

SAMPLE: LUMENOVALANTERN - 48 - 4K - U - FR - POSTTOP - BFC

### Product Details

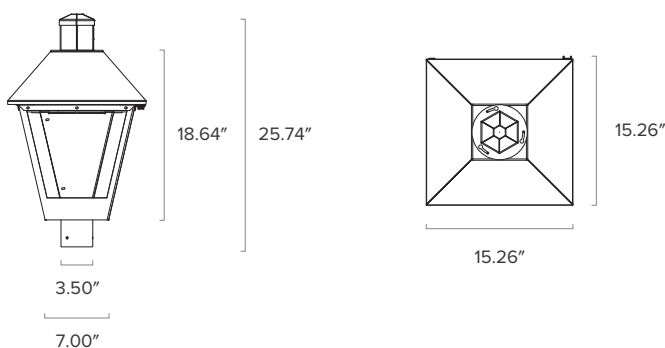
#### Specifications

Efficacy: 125 Lm/W  
CRI: 84  
Color Temperature: 3000K, 3500K, 4000K, 5000K  
Lumen Maintenance: 200,000+ Life Hours (L70)  
Voltage: 120/277V | 347V  
Operating Temperature: -40°C to +40°C

#### Mounting

Post Top

### Dimensions



Specifications subject to change without notice.