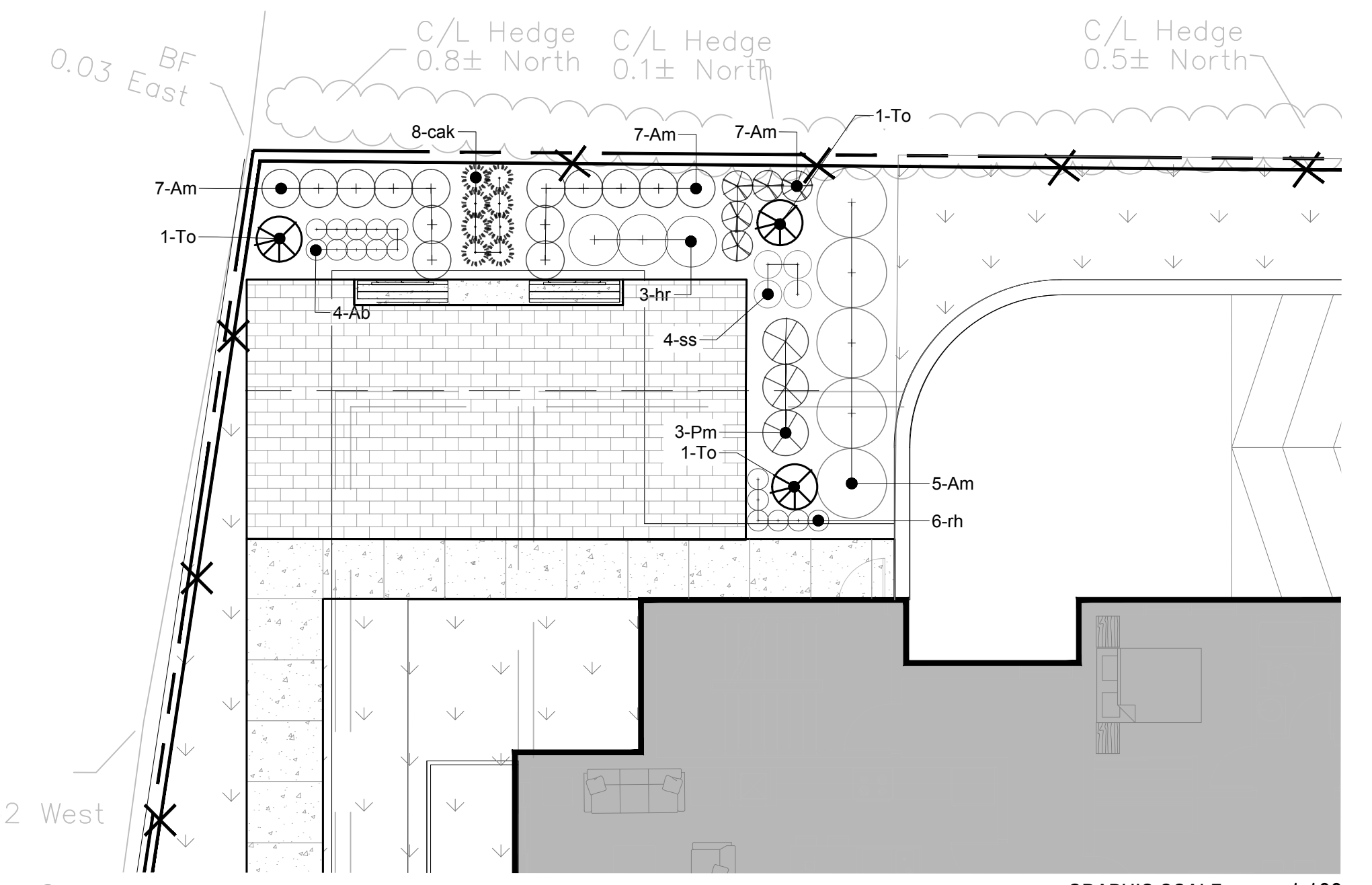
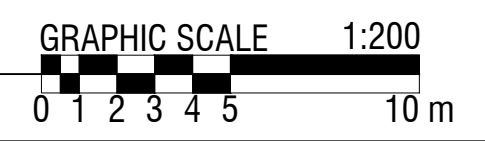


**GENERAL NOTES**  
 CONTRACTOR MUST CHECK & VERIFY ALL DIMENSIONS ON THE JOB. DO NOT SCALE DRAWINGS. ALL DRAWINGS, SPECIFICATIONS AND RELATED DOCUMENTS ARE THE COPYRIGHT PROPERTY OF THE LANDSCAPE ARCHITECT AND MUST BE RETURNED UPON REQUEST. REPRODUCTION OF DRAWINGS, SPECIFICATIONS AND RELATED DOCUMENTS IN PART OR IN WHOLE IS FORBIDDEN WITHOUT THE WRITTEN PERMISSION OF THE ARCHITECT. THIS DRAWING IS NOT TO BE USED FOR CONSTRUCTION UNLESS SIGNED BY THE LANDSCAPE ARCHITECT AS ISSUED FOR CONSTRUCTION.

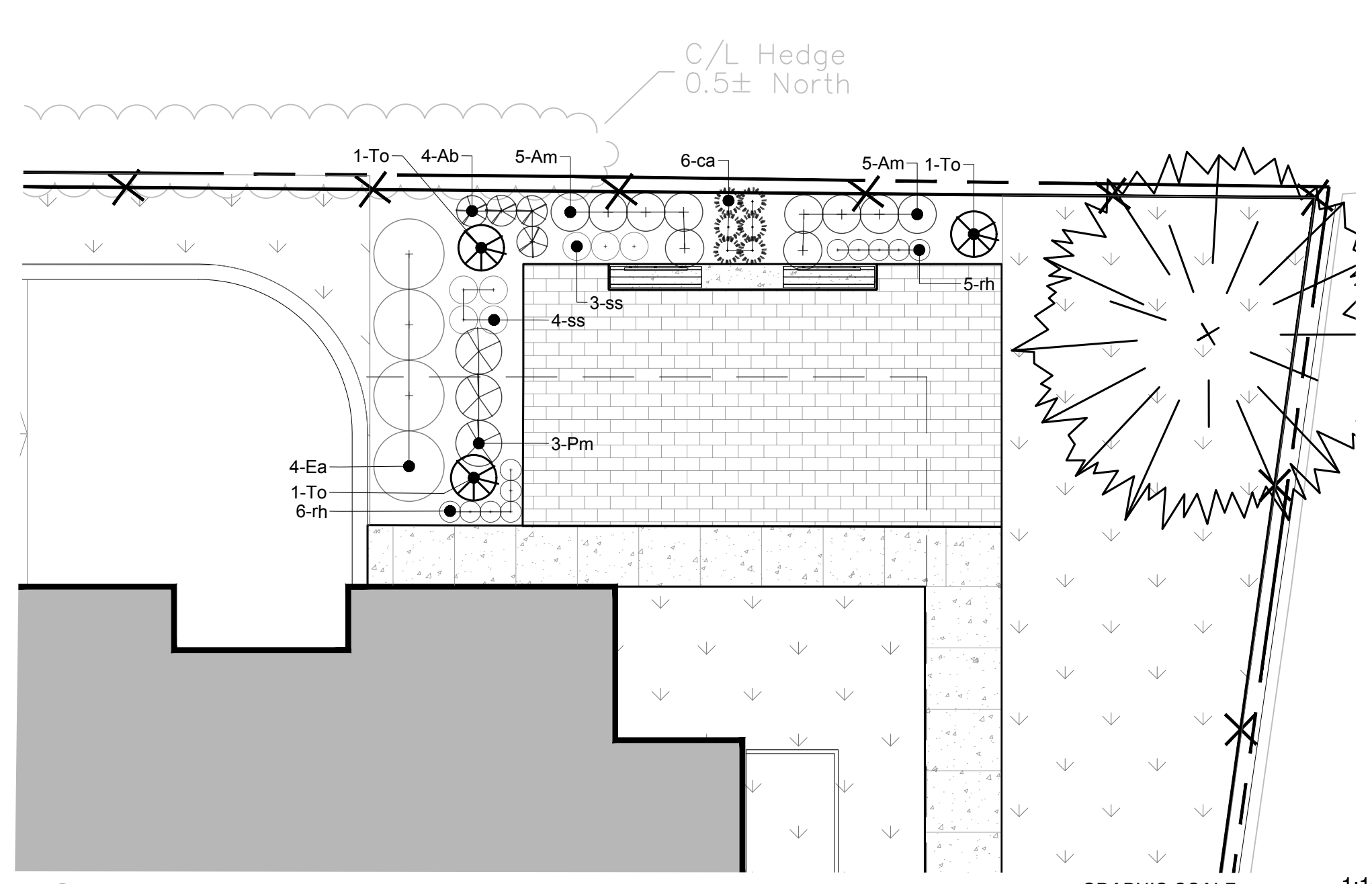
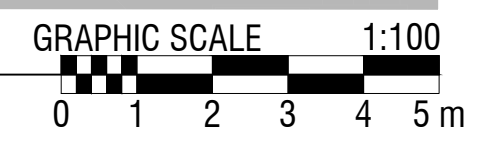
**LEGEND:**

- PROPERTY LINE
- FENCE
- PRIVACY FENCE
- STORM WATER (NIC)
- STORM WATER (NIC)
- WATER (NIC)
- SANITARY (NIC)
- PERFORATED SUBDRIAN (NIC)
- CONCRETE
- UNIT PAVER
- SOD
- DECIDUOUS TREE
- CONIFEROUS TREE
- SHRUBS
- GRASSES/PERENNIALS
- BENCH
- GARBAGE/RECYCLING
- PLANT KEY
- CATCH BASIN (NIC)
- MANHOLE (NIC)
- BIKE RACK

1 LANDSCAPE PLAN



2 DETAILED GATHERING AREA 1



3 DETAILED GATHERING AREA 2



KEY	QTY	BOTANICAL NAME	COMMON NAME	SIZE	COMMENTS
<b>CONIFEROUS TREES</b>					
PS	2	<i>Pinus strobus</i>	Eastern White Pine	150cm	W.B.
AG	4	<i>Acer ginnale 'Ruby Slippers'</i>	Ruby Slippers Amur Maple	50mm CAL	W.B.
SR	6	<i>Syringa reticulata</i>	Japanese Tree Lilac	175 cm (CLUMP)	W.B.
<b>CONIFEROUS SHRUBS</b>					
Ab	41	<i>Abies balsamea 'Nana'</i>	Dwarf Balsam Fir	2 GAL	POTTED
Pm	17	<i>Pinus mugo 'Slowmound'</i>	Slowmound Mugo Pine	1 GAL	POTTED
To	8	<i>Thuja occidentalis 'Emerald'</i>	Emerald Cedar	15 GAL	POTTED
<b>DECIDUOUS SHRUBS</b>					
Am	47	<i>Aronia melanocarpa</i>	Black Chokeberry	2 GAL	POTTED
Ea	15	<i>Euonymus alatus 'Compactus'</i>	Dwarf Burning Bush	2 GAL	POTTED
<b>GRASSES</b>					
cak	55	<i>Calamagrostis acutiflora 'Karl Foerster'</i>	Feather Reed Grass	1GAL	POTTED
<b>PERENNIALS</b>					
amp	12	<i>Achillea millefolium 'Paprika'</i>	Yarrow	1GAL	POTTED
cg	72	<i>Coreopsis grandiflora 'Early Sunrise'</i>	Tickseed	1GAL	POTTED
hr	9	<i>Hosta 'Royal Standard'</i>	Plantain Lily	1GAL	POTTED
rh	89	<i>rudbeckia hirta</i>	Gloriosa Daisy	1GAL	POTTED
ss	61	<i>Sedum spectabile 'Autumn Fire'</i>	Showy Stonecrop	1GAL	POTTED

No.	REVISIONS	DATE
05	ISSUED FOR REVIEW	04/08/2021
04	RE-ISSUED FOR SPA	03/16/2021
03	ISSUED FOR SPA	12/11/2020
02	ISSUED FOR COORDINATION	11/12/2020
01	ISSUED FOR COORDINATION	10/23/2020

**LASHLEY + ASSOCIATES**  
 LANDSCAPE ARCHITECTURE AND SITE ENGINEERING  
 202-850-GLADSTONE AVENUE  
 OTTAWA, ON K1Y 3E6  
 T 613 233 8579  
 F 613 233 4051  
 W LashleyA.com  
 E Mail@lashleyA.com

SIGNED FOR SITE PLAN APPLICATION ONLY

DESIGNED BY: E.L.    DRAWN BY: E.L.    APPROVED BY: D.L.

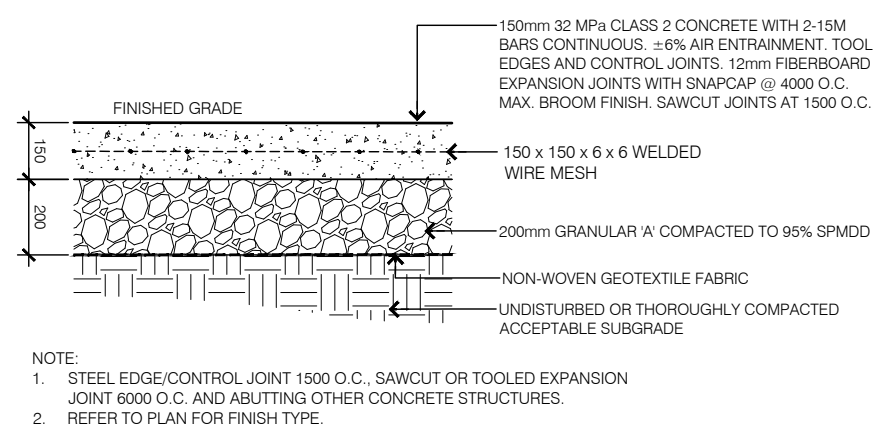
PROJECT  
 3817-3843 INNES ROAD  
 ORLEANS, OTTAWA

DRAWING TITLE  
**LANDSCAPE PLAN**

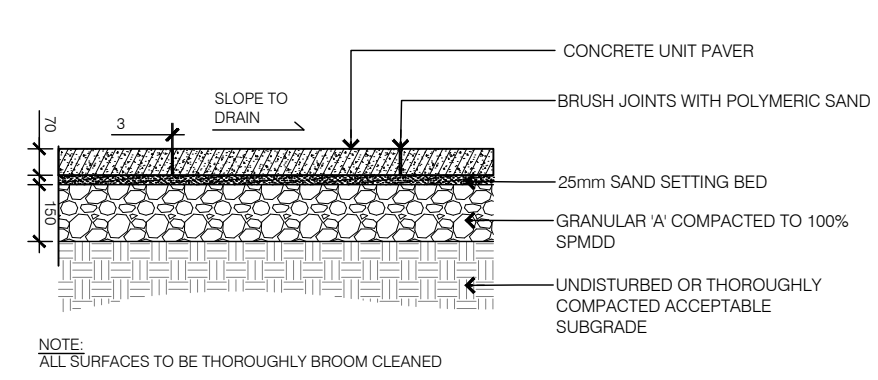
PROJECT NO.  
 20778-1

DATE  
 04.08. 2021

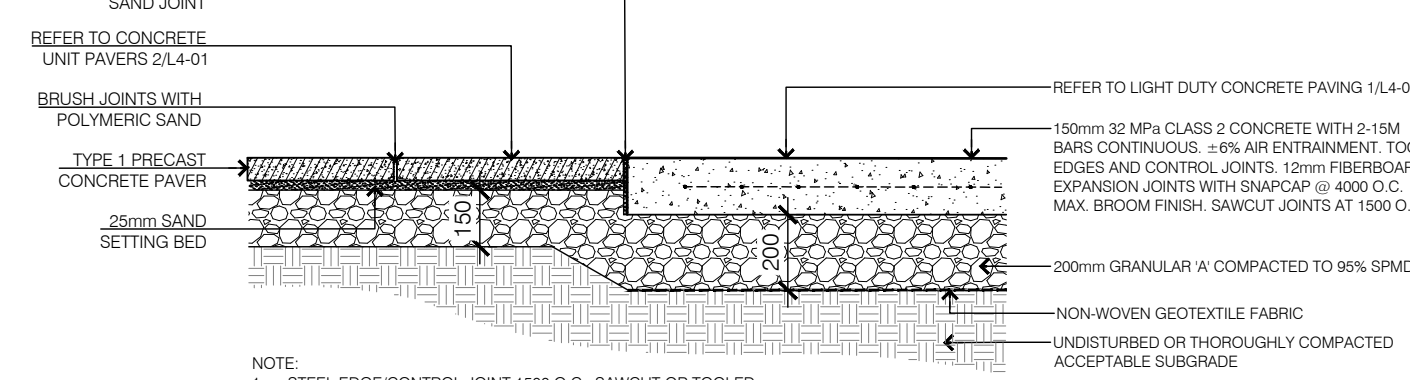
**L1-01**



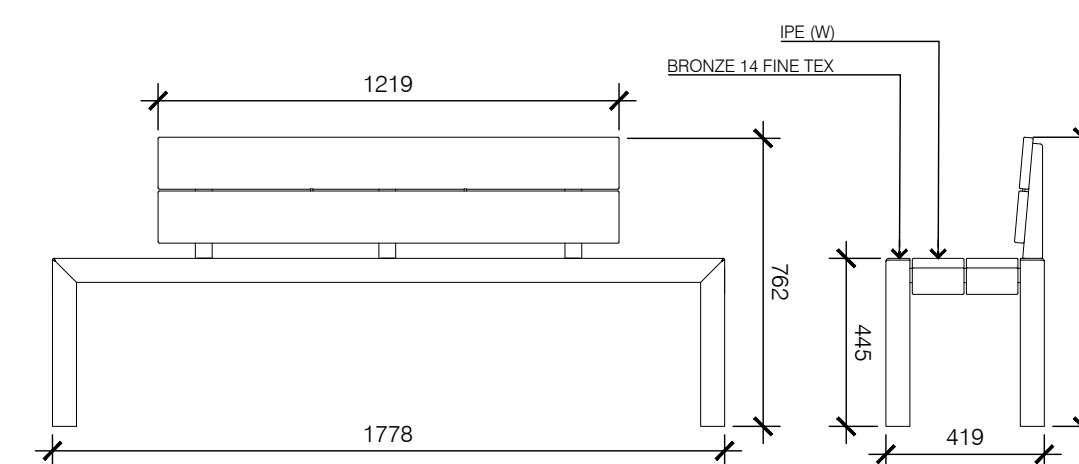
NOTE:  
1. STEEL EDGE/CONTROL JOINT 1500 D.C. SAWCUT OR TOOLED EXPANSION JOINT 6000 D.C. AND ABUTTING OTHER CONCRETE STRUCTURES.  
2. REFER TO PLAN FOR FINISH TYPE.



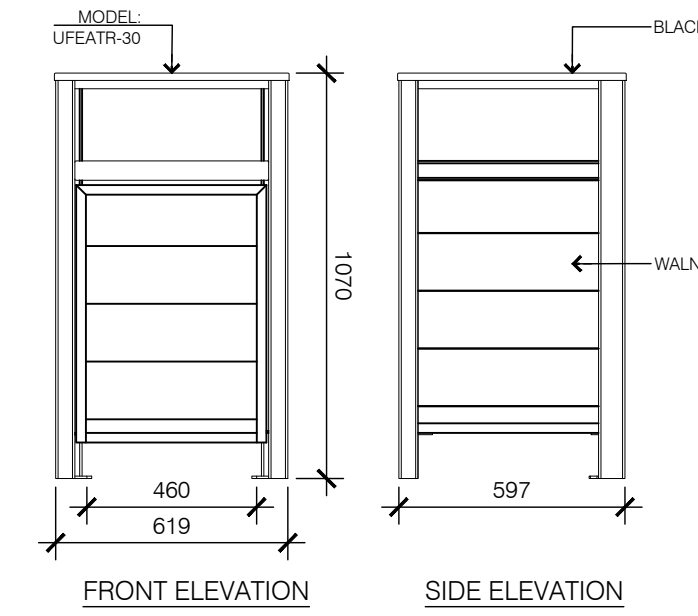
NOTE:  
ALL SURFACES TO BE THOROUGHLY BROOM CLEANED



NOTE:  
1. STEEL EDGE/CONTROL JOINT 1500 D.C. SAWCUT OR TOOLED EXPANSION JOINT 6000 D.C. AND ABUTTING OTHER CONCRETE STRUCTURES.  
2. REFER TO PLAN FOR FINISH TYPE.  
3. ALL SURFACES TO BE THOROUGHLY BROOM CLEANED



MODEL: MLB1050-W



FRONT ELEVATION SIDE ELEVATION

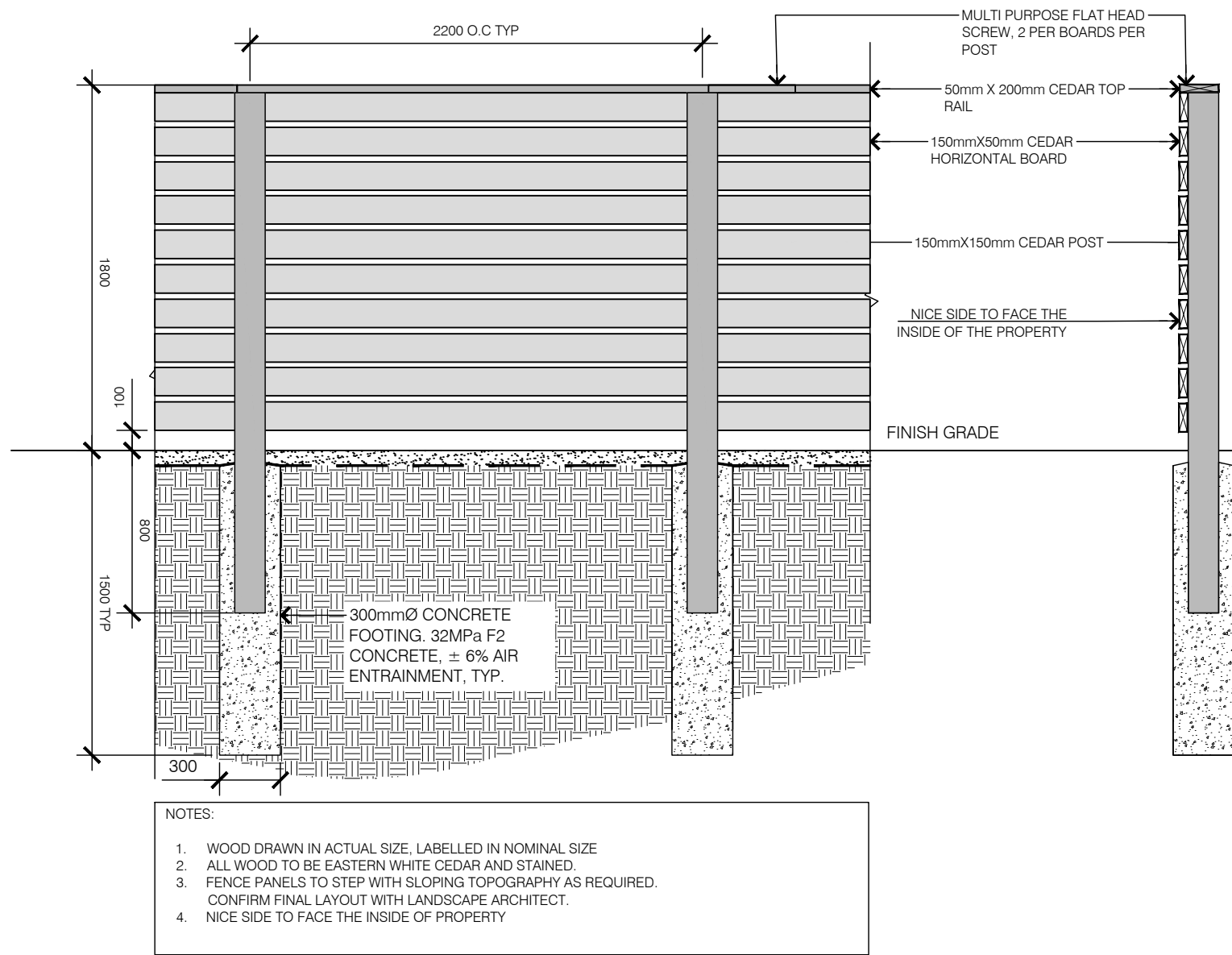
1 LIGHT DUTY CONCRETE PAVING 1:20

2 CONCRETE UNIT PAVERS 1:20

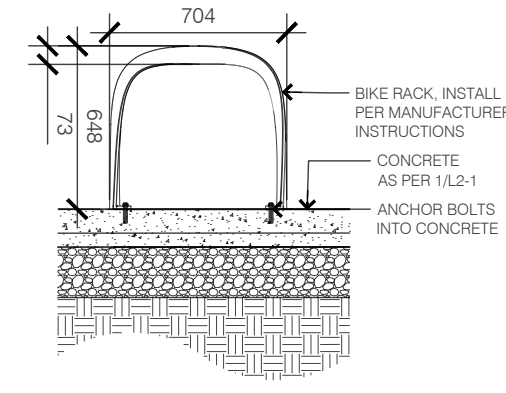
3 LIGHT DUTY CONCRETE @ CONCRETE UNIT PAVERS 1:20

4 BENCH 1:20

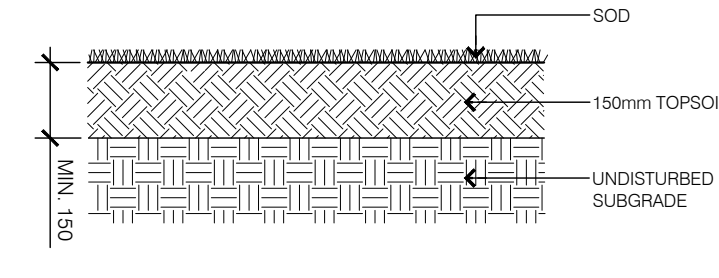
5 GARBAGE/ RECYCLING RECEPTACLE 1:20



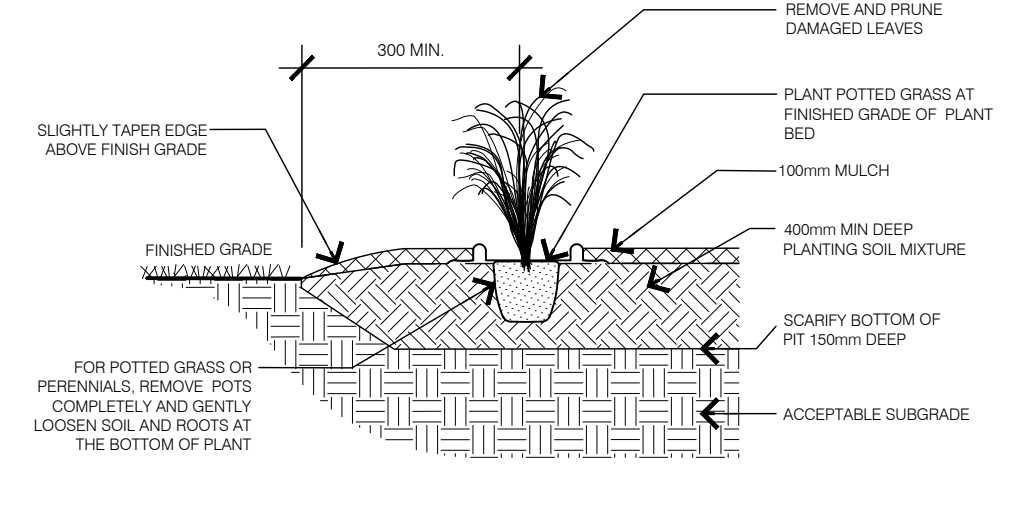
NOTES:  
1. WOOD DRAWN IN ACTUAL SIZE. LABELLED IN NOMINAL SIZE.  
2. ALL WOOD TO BE EASTERN WHITE CEDAR AND STAINED.  
3. FENCE PANELS TO STEP WITH SLOPING TOPOGRAPHY AS REQUIRED. CONFIRM FINAL LAYOUT WITH LANDSCAPE ARCHITECT.  
4. NICE SIDE TO FACE THE INSIDE OF PROPERTY.



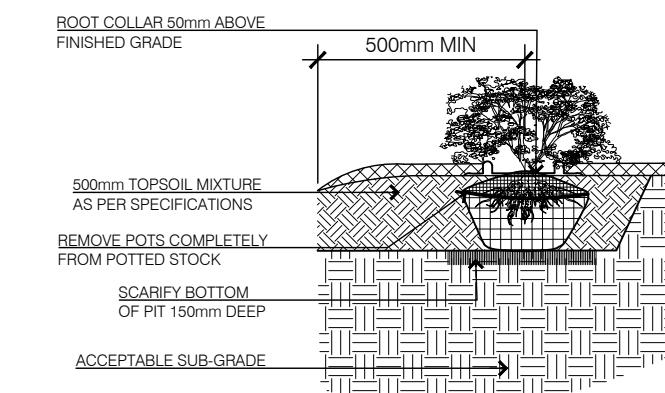
BIKE RACK. INSTALL PER MANUFACTURER'S INSTRUCTIONS.  
CONCRETE AS PER ILL-1.  
ANCHOR BOLTS INTO CONCRETE.



8 SOD 1:15



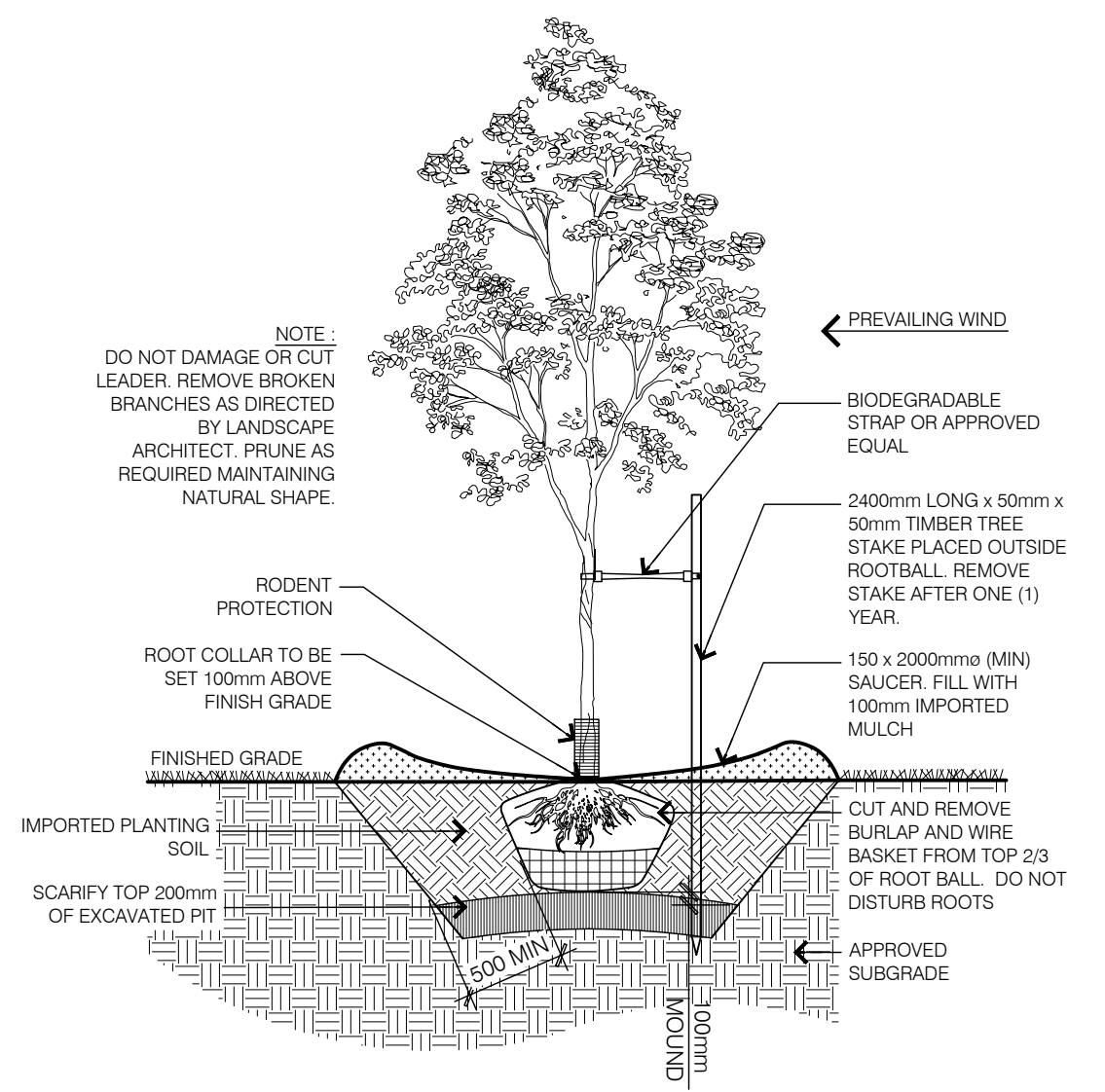
9 TYPICAL GRASS/ PERENNIAL 1:20



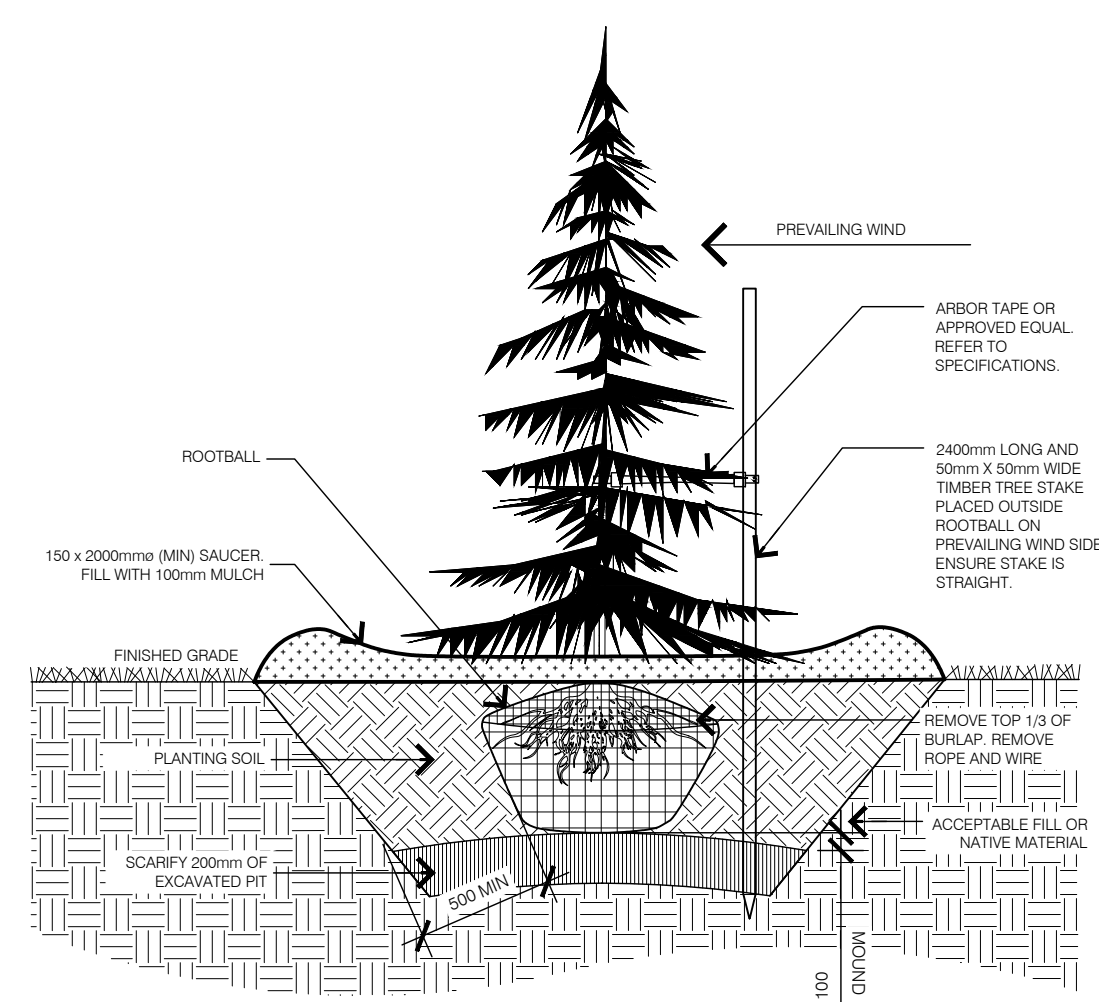
10 TYPICAL SHRUBS 1:30

6 PRIVACY/PERIMETER FENCE 1:30

7 BIKE RACK 1:30



11 TYPICAL DECIDUOUS TREE PLANTING 1:40



NOTES:  
PRUNE DAMAGED OR OBJECTIONABLE BRANCHES. FOLLOW PROPER HORTICULTURAL PRACTICE.  
COVER ENTIRE BED WITH 100mm DEPTH MULCH. PULL BACK MULCH FROM BASE OF SHRUBS. ENSURE THAT MULCH COVERS ALL EXPOSED SOIL.  
DO NOT DAMAGE OR CUT LEADER. REMOVE BROKEN BRANCHES AS DIRECTED BY LANDSCAPE ARCHITECT.

12 TYPICAL CONIFEROUS TREE PLANTING 1:30

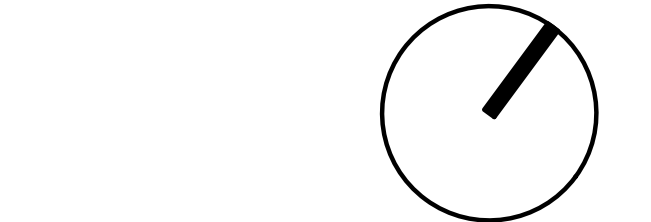


GENERAL NOTES  
CONTRACTOR MUST CHECK & VERIFY ALL DIMENSIONS ON THE JOB. DO NOT SCALE DRAWINGS.  
ALL DRAWINGS, SPECIFICATIONS AND RELATED DOCUMENTS ARE THE COPYRIGHT PROPERTY OF THE LANDSCAPE ARCHITECT AND MUST BE RETURNED UPON REQUEST. REPRODUCTION OF DRAWINGS, SPECIFICATIONS AND RELATED DOCUMENTS IN PART OR IN WHOLE IS FORBIDDEN WITHOUT THE WRITTEN PERMISSION OF THE ARCHITECT.  
THIS DRAWING IS NOT TO BE USED FOR CONSTRUCTION UNTIL SIGNED BY THE LANDSCAPE ARCHITECT AS ISSUED FOR CONSTRUCTION.

No.	REVISIONS	DATE
05	ISSUED FOR REVIEW	04/08/2021
04	RE-ISSUED FOR SPA	03/16/2021
03	ISSUED FOR SPA	12/11/2020
02	ISSUED FOR COORDINATION	11/12/2020
01	ISSUED FOR COORDINATION	10/23/2020

**LASHLEY + ASSOCIATES**  
LANDSCAPE ARCHITECTURE AND SITE ENGINEERING

202-850 GLADSTONE AVENUE  
OTTAWA, ON K1Y 3E6  
T 613 233 8579  
F 613 233 4051  
W LashleyLA.com  
E Mail@LashleyLA.com



SIGNED FOR SITE PLAN APPLICATION ONLY

DESIGNED BY: E.L. DRAWN BY: E.L. APPROVED BY: D.L.

PROJECT  
3817-3843 INNES ROAD  
ORLEANS, OTTAWA

DRAWING TITLE  
DETAILS

PROJECT NO.  
20778-1  
DATE  
04.08. 2021

**L2-01**