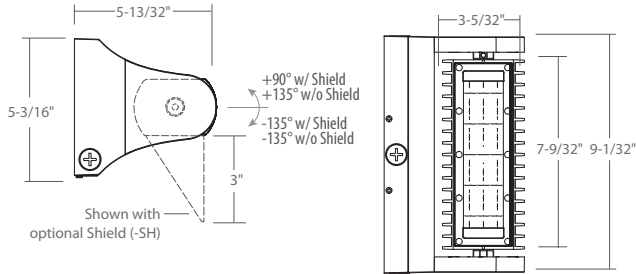


WLP31 - 9" DEXTERO ADJUSTABLE FLOOD 3250LM (25W)/5200LM (40W)/7800LM (60W)

- Adjustable Design
- Durable, corrosion resistant finish
- Lamp equivalent of 50W HID for 25W, 100W HID for 40W, and 150W HID for 60W package
- Emergency back up available
- 5 year limited warranty
- 120V/277V
- Dark Sky Compliant Option



ORDERING – Example: WLP31-60WUE-D10-T30-SH

WLP31

Fixture	Finish	Lumens	Driver	Color Temperature	Options	Shielded
	Finish		Driver	Color Temperature	Options	Shielded
	Bronze	Blank	Non-Dimming (120V)	Blank	4000K	Blank
	White	W	Non-Dimming (120V/277V)	UE	3000K	-T30
		Lumens	0-10V Dimming (120V/277V)	UE-D10		None
		3250lm (25W)	2-Wire, ELV, 0-10V Dimming (120V/277V)	UE-DUN		Remote Emergency
		5200lm (40W)	347V, 0-10V Dimming	-347-D10		Integral 10W EM Battery
		7800lm (60W)				Integral Daylight Sensor
						Shielded
						None
						Shield

*Remote Emergency Battery (EMAC) available for 25W only.

**Integral 10W Emergency Battery (EMA) available for 25W & 40W only.

OPTIONAL MOUNTING ACCESSORIES

WLP-RCS

Dextero Adjustable Recessed Housing



WLP-PNDT

Dextero Pendant



WLP-BL

Dextero Standoff



WLP-PLER

Dextero Pole Mount Round



WLP-PLE

Dextero Pole Mount Square



WLP-SLP

Dextero Pole Tenon Slip Fitter



SPECIFICATION

Application

This 1-direction adjustable wall luminaire can be used in both interior and exterior settings. Typical locations are in commercial and retail spaces that contain walls and/or columns that require directional lighting. Can be used as downlight for direct illumination or as uplight for indirect illumination of architecture facades.

FIXTURE

Constructed from high grade die-cast aluminum with high grade aluminum arms and heat sink and a powder coat finish. Includes an adjustable LED array with optics, LED driver and mounting bracket. Array rotates +90° from horizontal with shield, +135° from horizontal without shield; -135° from horizontal with and without shield. Mounting bracket is secured to housing with two (2) stainless steel set screws.

Mounting

Fixture includes a mounting bracket that installs onto a 3-1/2" or 4" octagonal junction box or directly onto a wall over a 3-1/2" or 4" octagonal junction box. Fixture can also be mounted (with mounting bracket) onto a wall for surface conduit entry using three (3) threaded 1/2 NPT trade conduit openings, one (1) on each side and one (1) on the bottom (or top if LED arrays are pointing up).

Lumen Maintenance

Minimum 50,000 hours L70 life based on ANSI TM-21 calculations from LM80 standardized test results. See ordering guide for delivered lumens.

Thermal Management

Heat dissipation facilitated by exposed integral aluminum heat sink to maximize heat rejection in an open

air environment. Recommended ambient temperature is below 35°C to achieve minimum L70 life of 50,000 hours according to LM80 standard. contact with loosefill blown and rolled insulation.

Dimming

(**UE-DUN**) option is a universal dimming system that works with most 3-Wire ELV, 2-Wire Incandescent and 5-Wire 0-10V fluorescent dimmers.

Electrical

AC 50/60Hz Electronic Direct Current Class 2 driver integrally mounted. Power Factor > 0.90. For cold weather applications (-22°C and above) use -DUN driver option.

Emergency Options

Remote Emergency LED Battery Back-up (-EMAC) available, mounted adjacent to housing by installer. Integral Emergency LED Battery Back-up (-EMA) mounted inside fixture for unabtrusive design illuminates during normal power to blend in with other AC only architectural luminaires. When AC power fails, the device immediately switches to the emergency mode, operating the LEDs for a minimum of 90 minutes. Remote test switch, plate cover and junction box included.

Finish

A 7-stage electrostatic, polymer process provides a finish that delivers outstanding durability, superior anti-aging, resistance to corrosion and UV-degradation. Finish is high-quality Bronze (**Blank**) or White (**W**) powder coat.

Listings

UL Listed. Suitable for wet location. Assembled in USA. (IP65). DLC approval.

Dark Sky Compliance

Fixture is Dark Sky compliant with optional 3000K (-T30) and Shield (-SH) when fixture is pointing downward.

Caution

LITON recommends use of surge protectors on the power entering LED housings. Surge damage is not covered by warranty. Fixtures must be grounded in accordance with national, state and/or local electrical codes. Failure to do so may result in serious personal injury.

Warranty

Covered by a 5 Year Warranty to be free of defects in materials and craftsmanship. Fixture should not be installed in applications with ambient temperature above 60°C. Doing so will result in reduced lamp life and voided warranty.

OPTIONAL MOUNTING ACCESSORIES

WLP-RCS - Dextero Adjustable Recessed Housing. Refer to WLP31/WLP-RCS spec sheet for more information.

WLP-PNDT - Dextero Pendant. Refer to WLP31/WLP-PNDT spec sheet for more information.

WLP-BL - Dextero Standoff. Refer to WLP31/WLP-BL, WLP32/WLP-BL spec sheet for more information.

WLP-PLE - Dextero Pole Mount Square. Refer to WLP31/WLP-PLE, WLP32/WLP-PLE spec sheet for more information.

WLP-PLER - Dextero Pole Mount Round. Refer to WLP31/WLP-PLER, WLP32/WLP-PLER spec sheet for more information.

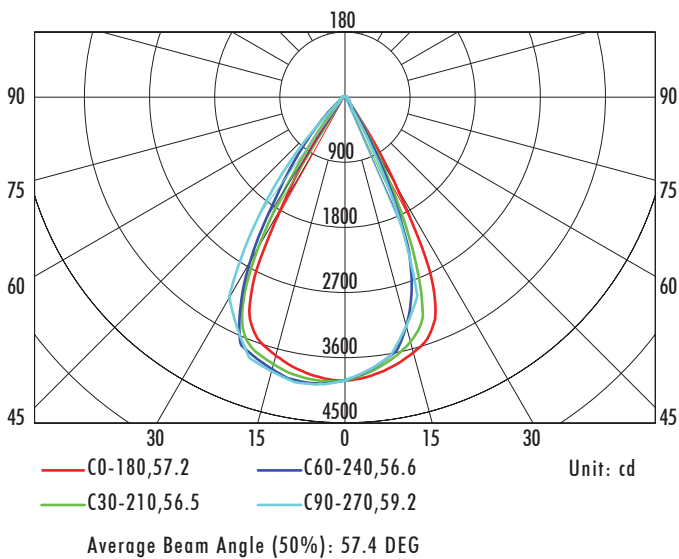
WLP-SLP - Dextero Pole Tenon Slip Fitter. Refer to WLP31/WLP-SLP, WLP32/WLP-SLP spec sheet for more information.

PHOTOMETRY

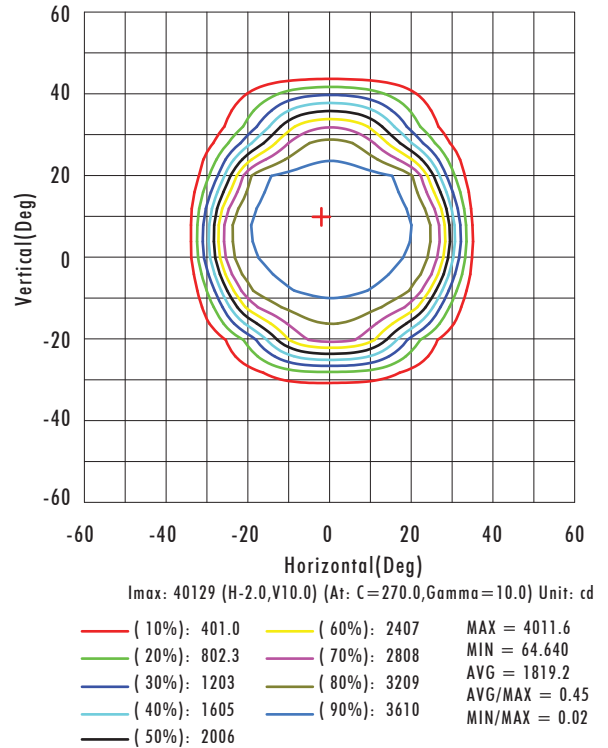
WLP31-25W-T40 (25W/3250lm, 4000K)

System Power:	25.0W	MULTIPLIERS
Test Date:	9/2016	Lumen
Beam Angle 50%:	57.2°	7800lm : 2.4
Field Angle 0%:	68.8°	
Color Temp. (CCT):	4000K	
CRI:	80	
Lumens Delivered:	3309.4	
CBCP:	4012	
Power Factor:	0.99	

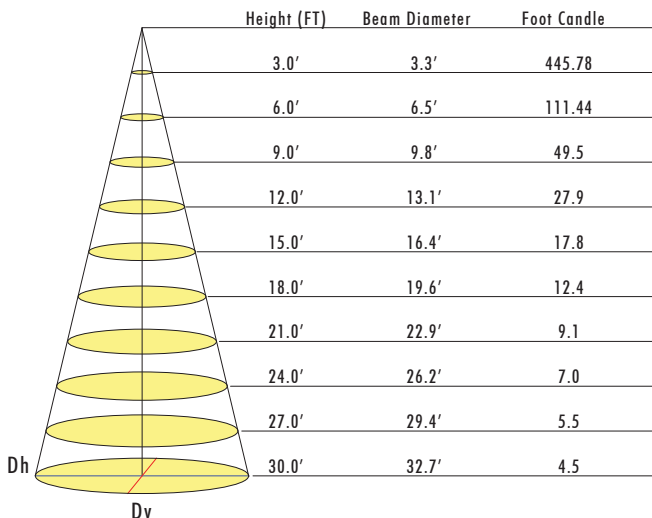
LUMINOUS INTENSITY DISTRIBUTION CURVE



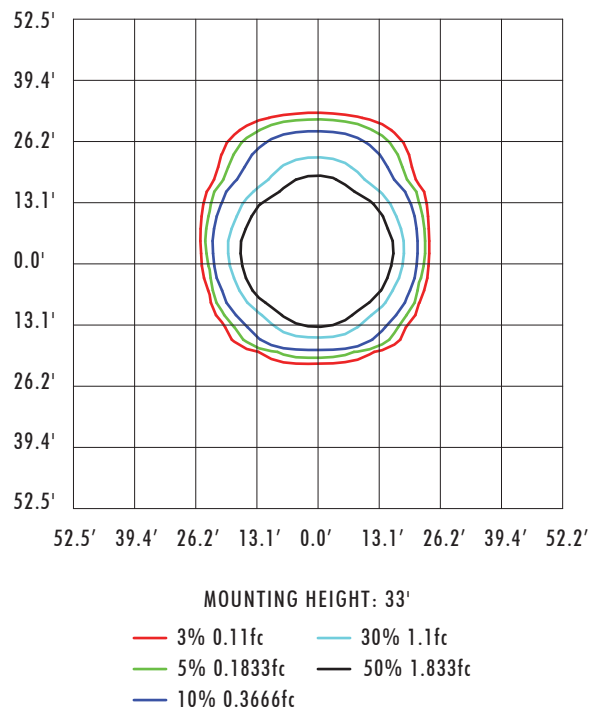
ISOCANDELA (RECTANGLE)



ILLUMINANCE AT A DISTANCE (BEAM ANGLE)



ISO FC PLOT



2019.09.11

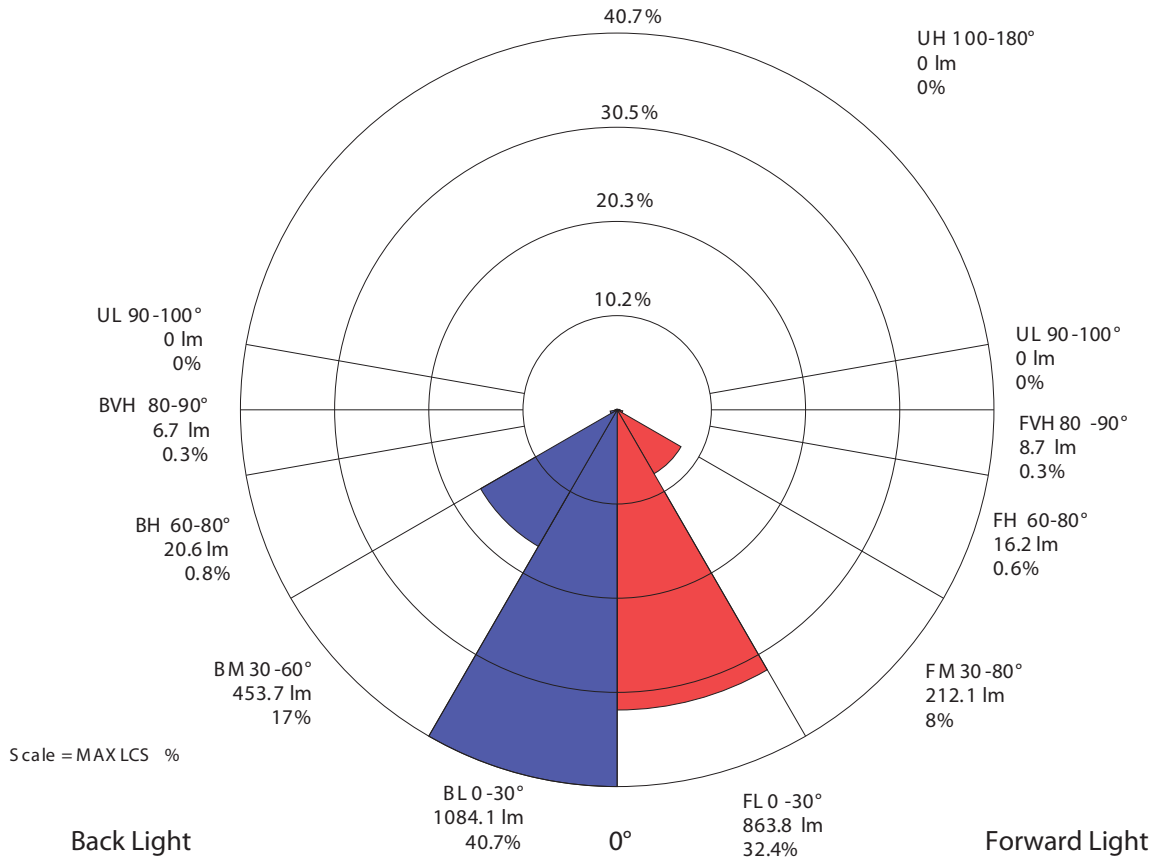
BUG REPORT

Model No: WLP31-25WUE -D10-SH

Description: 9 INCH DEXTERO ADJUSTABLE WALL FLOOD (3250LM)

LCS table		
BUG rating:	B3 U1 G0	
Forward light	Lumens	Lumens %
Low(0-30):	863.8	32.4%
Medium(30-60):	212.1	8%
High(60-80):	16.2	0.6%
Very high(80-90):	8.7	0.3%
Back light		
Low(0-30):	1084.1	40.7%
Medium(30-60):	453.7	17%
High(60-80):	20.6	0.8%
Very high(80-90):	6.7	0.3%
Uplight		
Low(90-100):	0	0%
High(100-180):	0	0%

LCS graph



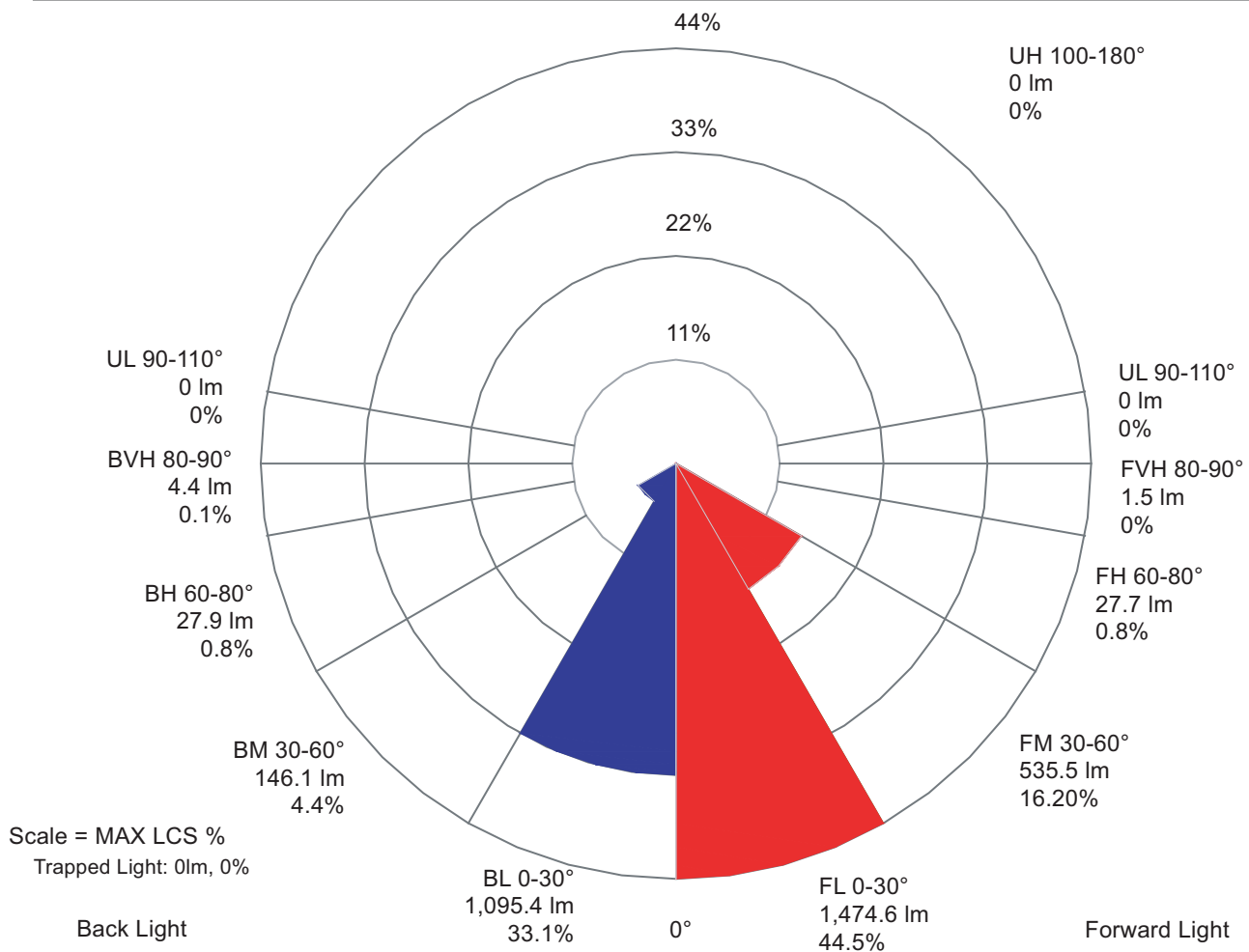
BUG REPORT

Fixture: WLP31-25W

Description: 9" DEXTERO ADJUSTABLE WALL FLOOD (3250LM)

LCS table		
BUG rating:	B3 - UX - G0	
Forward light	Lumens	Lumens %
Low (0-30):	1474.6	44.50%
Medium (30-60):	535.5	16.20%
High (60-80):	27.7	0.80%
Very high (80-90):	1.5	0.00%
Back light		
Low (0-30):	1095.4	33.10%
Medium (30-60):	146.1	4.40%
High (60-80):	27.9	0.80%
Very high (80-90):	4.4	0.10%
Trapped light	0	0.00%

LCS graph



2019.09.10

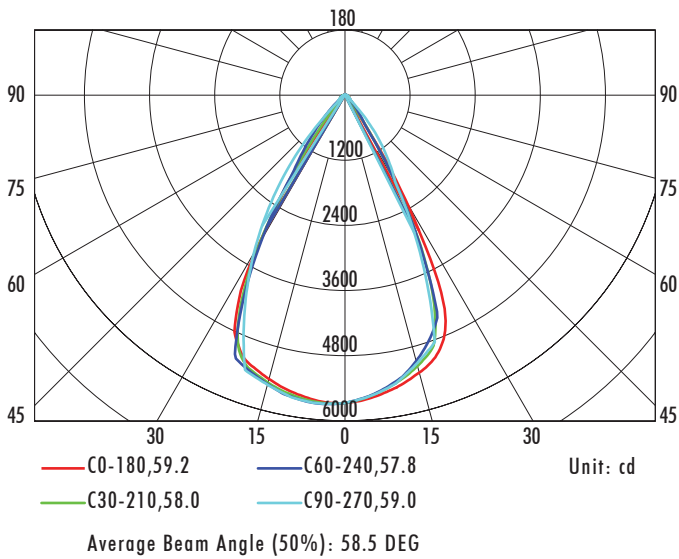
PHOTOMETRY

WLP31-40W-T40 (40W/5200lm, 4000K)

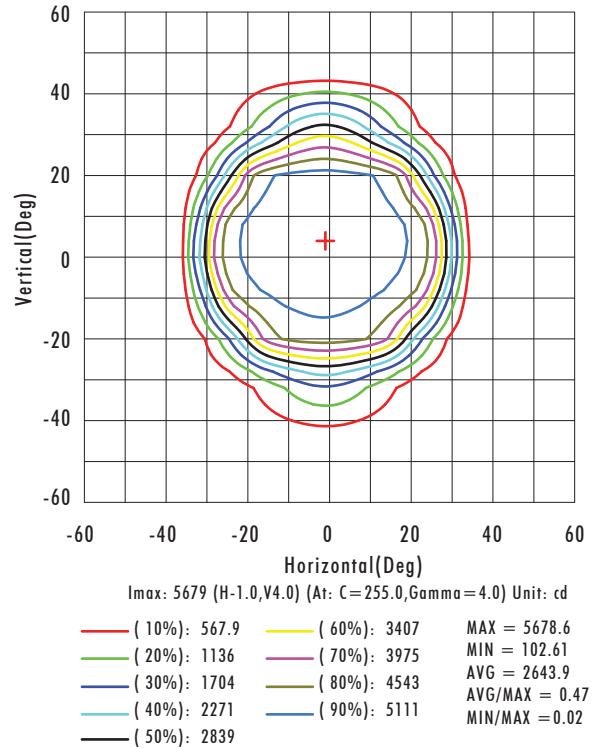
System Power:	41.3W
Test Date:	9/2016
Beam Angle 50%:	59.0°
Field Angle 0%:	69.9°
Color Temp. (CCT):	4000K
CRI:	80
Lumens Delivered:	4948.3
CBCP:	5678.62
Power Factor:	0.99

MULTIPLIERS	
Lumen	
7800lm:	1.5

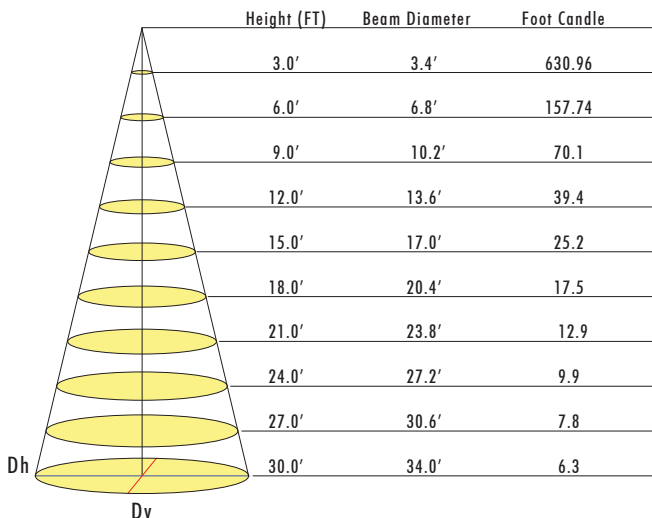
LUMINOUS INTENSITY DISTRIBUTION CURVE



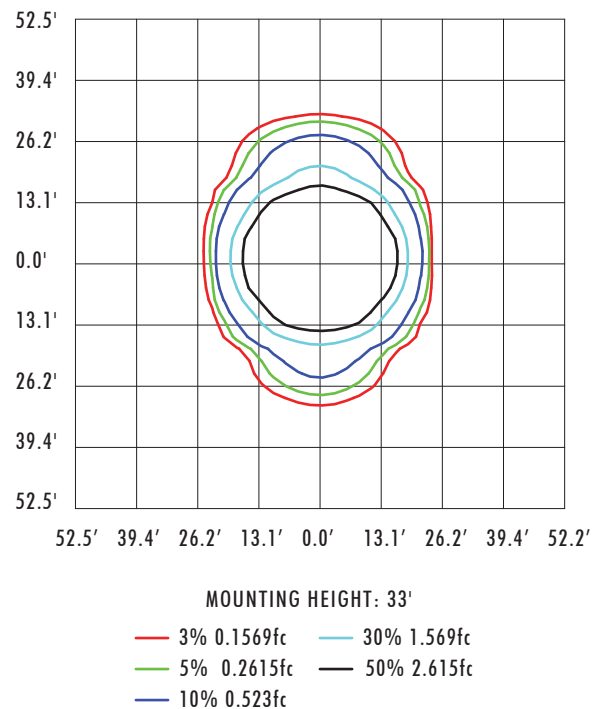
ISOCANDELA (RECTANGLE)



ILLUMINANCE AT A DISTANCE (BEAM ANGLE)



ISO FC PLOT



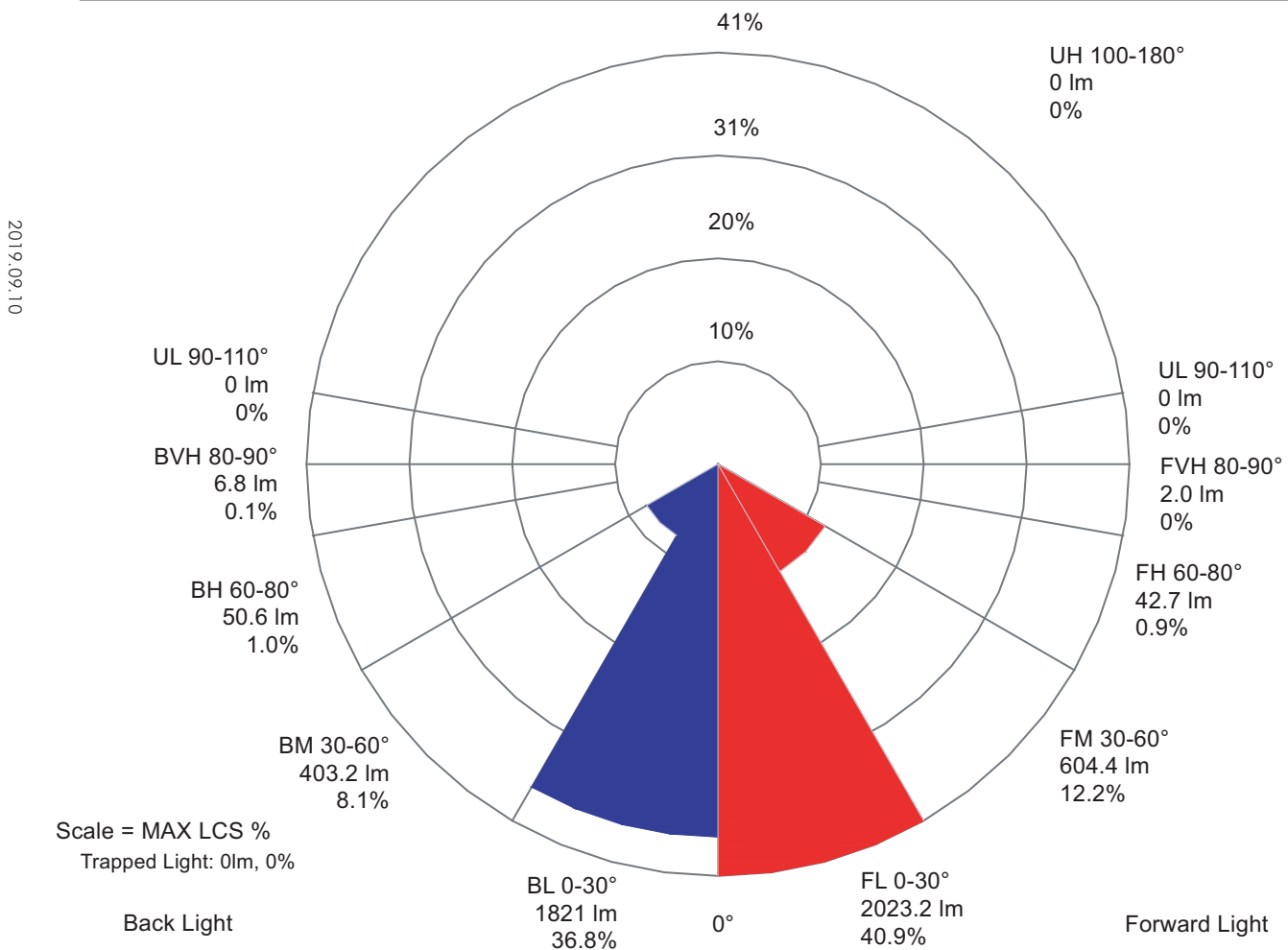
BUG REPORT

Fixture: WLP31-40W

Description: 9" DEXTERO ADJUSTABLE WALL FLOOD (5200LM)

LCS table		
BUG rating:	B3 - UX - G0	
Forward light	Lumens	Lumens %
Low (0-30):	2023.2	40.90%
Medium (30-60):	604.4	12.20%
High (60-80):	42.7	0.90%
Very high (80-90):	2	0.00%
Back light		
Low (0-30):	1821	36.80%
Medium (30-60):	403.2	8.10%
High (60-80):	50.6	1.00%
Very high (80-90):	6.8	0.10%
Trapped light	0	0.00%

LCS graph



BUG REPORT

Fixture: WLP31-60W

Description: 9" DEXTERO ADJUSTABLE WALL FLOOD (7800LM)

LCS table		
BUG rating:	B4 - UX - G1	
Forward light	Lumens	Lumens %
Low (0-30):	3066.6	40.90%
Medium (30-60):	915.9	12.20%
High (60-80):	64.7	0.90%
Very high (80-90):	3.2	0.00%
Back light		
Low (0-30):	2760.7	36.80%
Medium (30-60):	611.4	8.10%
High (60-80):	76.8	1.00%
Very high (80-90):	10.3	0.10%
Trapped light	0	0.00%

LCS graph

