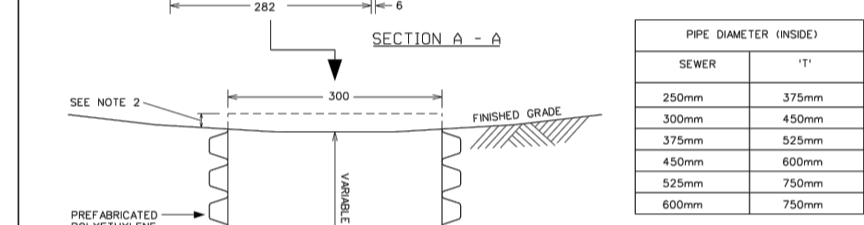
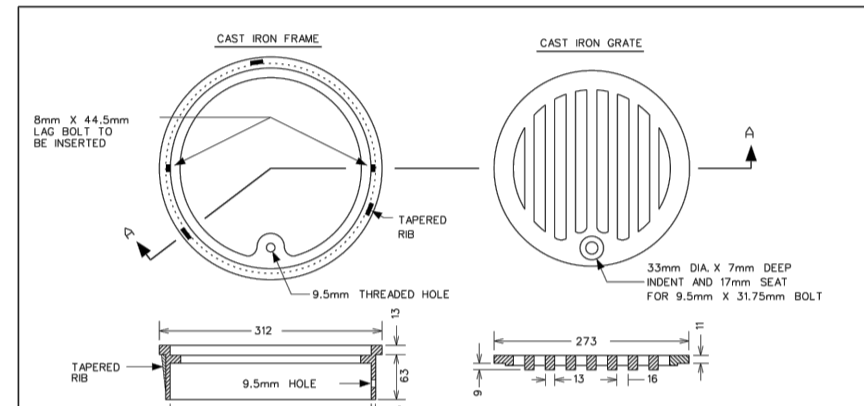
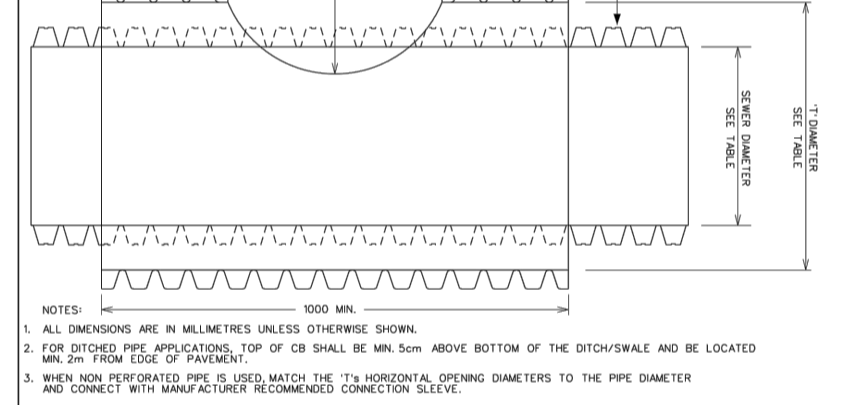


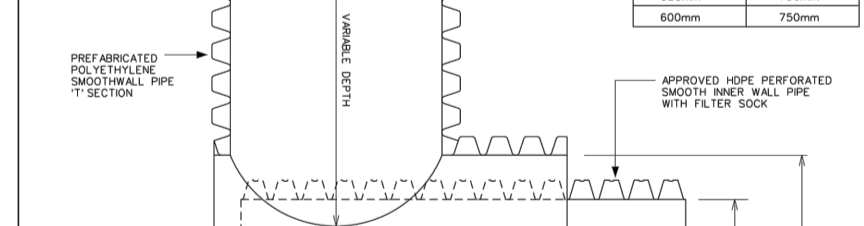
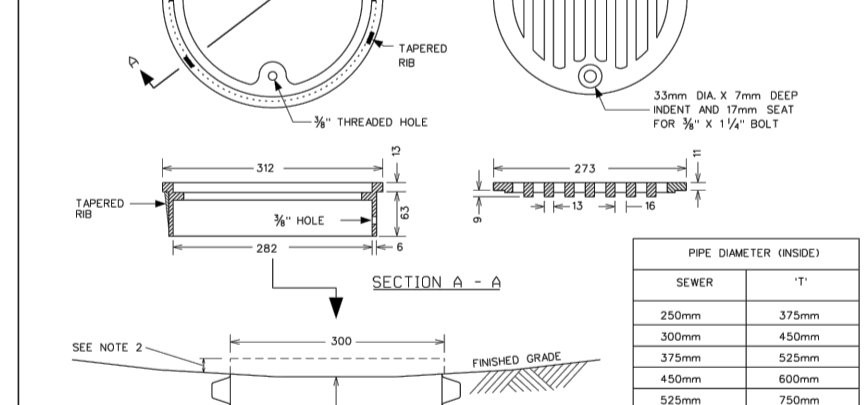
VALVE BOX ASSEMBLY



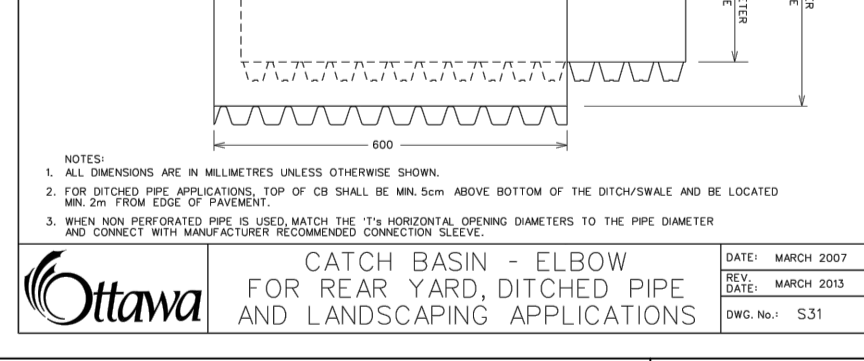
CATCH BASIN - T FOR REAR YARD, DITCHED PIPE AND LANDSCAPING APPLICATIONS



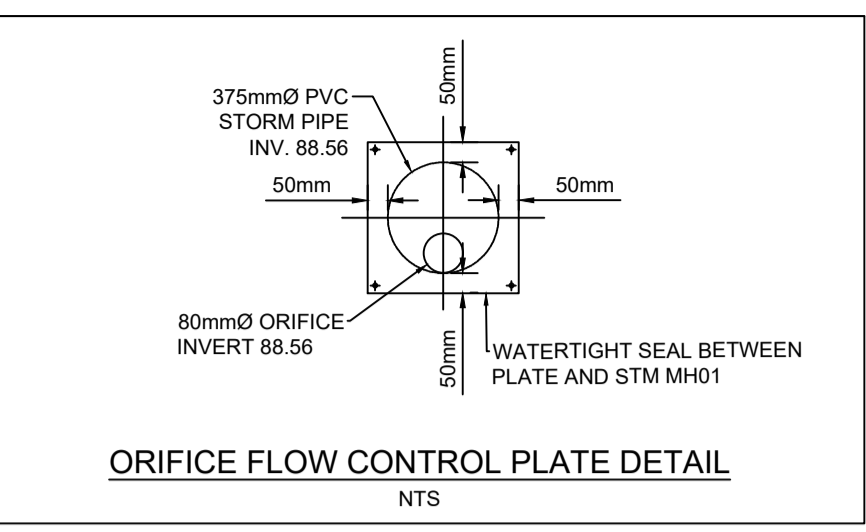
CATCH BASIN - T FOR REAR YARD, DITCHED PIPE AND LANDSCAPING APPLICATIONS



CATCH BASIN - T FOR REAR YARD, DITCHED PIPE AND LANDSCAPING APPLICATIONS

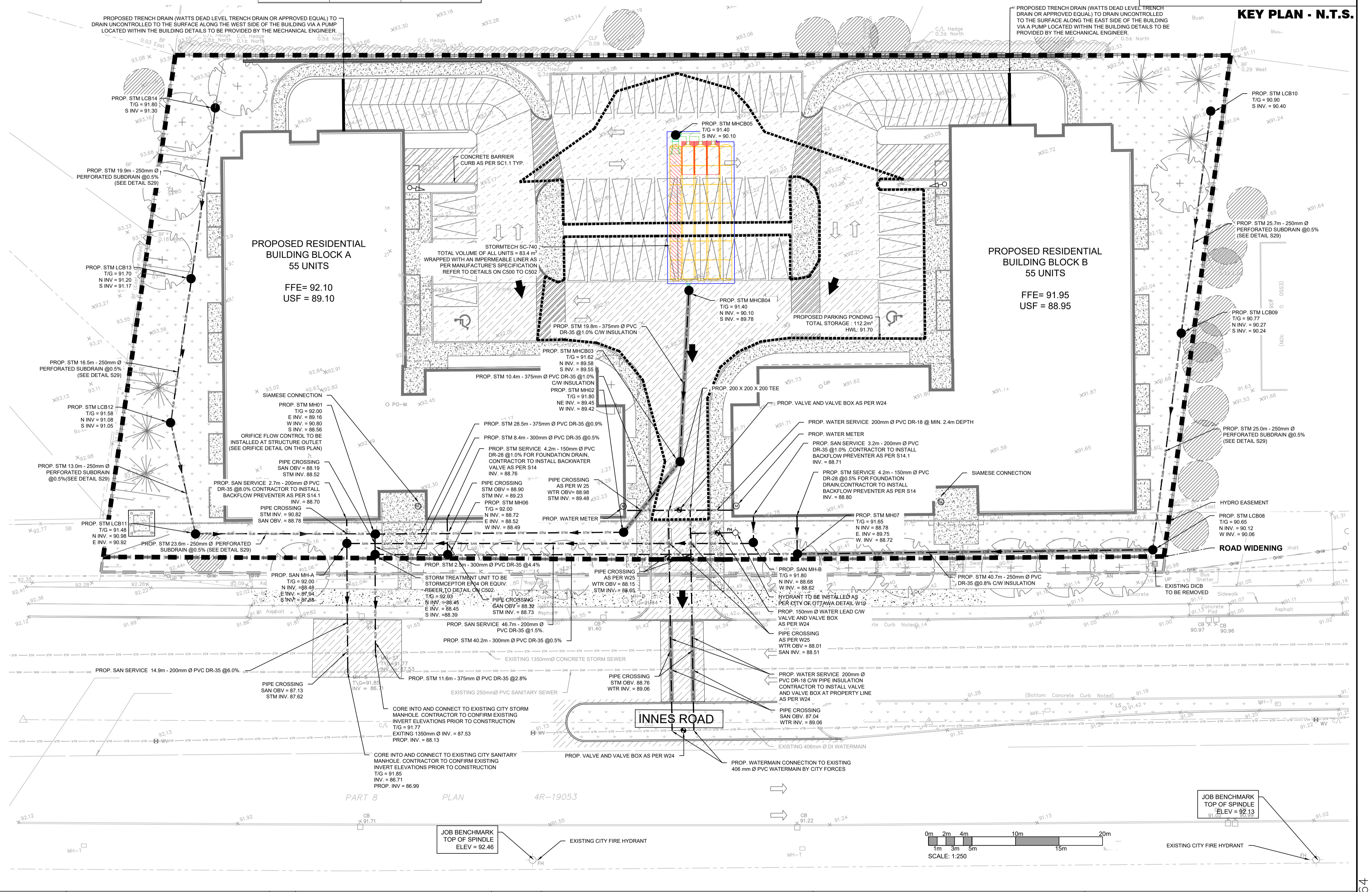
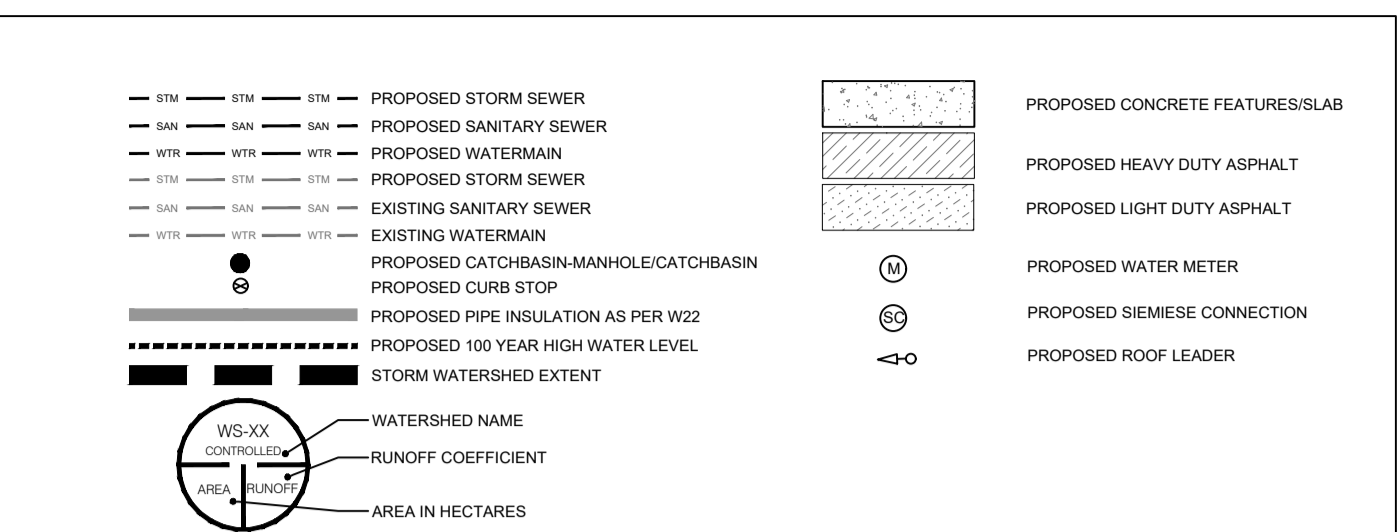
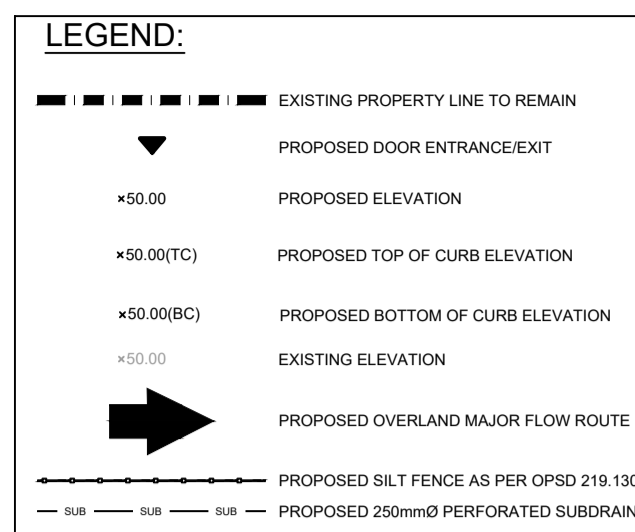


CATCH BASIN - T FOR REAR YARD, DITCHED PIPE AND LANDSCAPING APPLICATIONS



ORIFICE FLOW CONTROL PLATE DETAIL

MANHOLE TABLE		
STORM		
MH Number	Size	Cover
STM MH01	1200mm	S24.1
STM MH02	1200mm	S24.1
MHCB03	1200mm	S28.1
MHCB04	1200mm	S28.1
MHCB05	1200mm	S28.1
STM MH06	1200mm	S24.1
STM MH07	1200mm	S24.1
LCB08 TO LCB14 S30 AND S31		
SANITARY		
MH Number	Size	Cover
MHA	1200mm	S24
MHB	1200mm	S24



DISCLAIMER AND COPYRIGHT
 CONTRACTOR MUST VERIFY ALL DIMENSIONS AND BE RESPONSIBLE FOR SAME. ANY DISCREPANCIES MUST BE REPORTED TO THE ENGINEER BEFORE COMMENCING WORK. DRAWINGS ARE NOT TO BE SCALED.
 TATHAM ENGINEERING LIMITED CLAIMS COPYRIGHT TO THIS DRAWING WHICH MAY NOT BE USED FOR ANY PURPOSE OTHER THAN THAT PROVIDED IN THE CONTRACT BETWEEN THE OWNER/CLIENT AND THE ENGINEER WITHOUT THE EXPRESS CONSENT OF TATHAM ENGINEERING LIMITED.

BENCHMARK1: FIRE HYDRANT LOCATED ON SOUTH SIDE OF INNES ROAD, SOUTH OF SITE. TOP OF SPINDLE ELEV=92.46
 BENCHMARK2: FIRE HYDRANT LOCATED ON SOUTH SIDE OF INNES ROAD, SOUTHWEST OF SITE(90.0m EAST FROM BENCHMARK 1) TOP OF SPINDLE ELEV=92.13

No.	REVISION DESCRIPTION	DATE	ENGINEER STAMP
1.	ISSUED FOR SPA	OCT. 2022	
2.	RE-ISSUED FOR SPA	APR. 2023	
3.	RE-ISSUED FOR SPA	JUL. 2023	

BRIDOR DEVELOPMENTS
 3817-3843 INNES ROAD
 CITY OF OTTAWA

TATHAM ENGINEERING

DESIGN: HY/GC FILE: 522676 DWG:
 DRAWN: HY DATE: OCT 2022
 CHECK: GC SCALE: 1:250