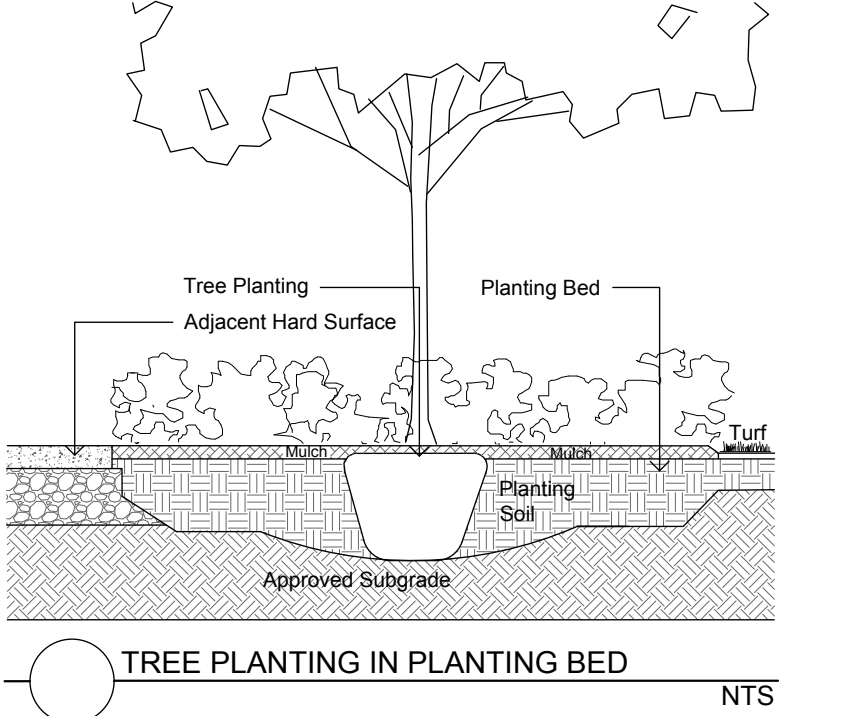
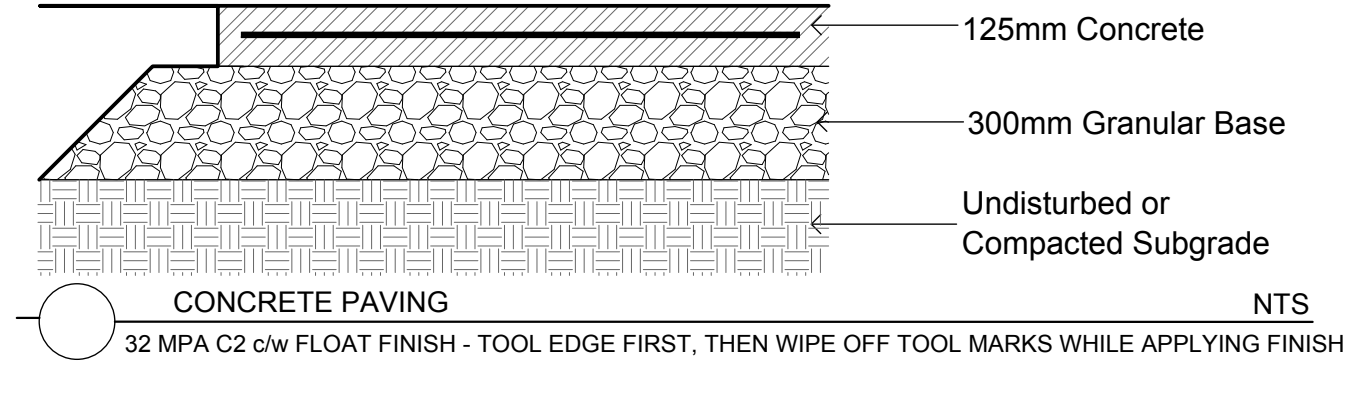


GENERAL CONCRETE NOTES:
 ALL CONCRETE FINISHES TO BE APPROVED BY GJA LANDSCAPE ARCHITECT.
 SAWCUT LAYOUT FOR ALL AREAS TO BE MARKED ON SITE IN RED CHALK, REVIEWED, ADJUSTED AND APPROVED BY GJA LANDSCAPE ARCHITECT-PRIOR TO ANY CUTTING.
 EXPANSION JOINT LAYOUT FOR ALL AREAS TO BE LAID OUT ON SITE - REVIEWED, ADJUSTED AND APPROVED BY GJA LANDSCAPE ARCHITECT-PRIOR TO ANY CONCRETE POURING.
 FINISH: TOOL EDGE FIRST, THEN WIPE OFF TOOL MARKS WHILE APPLYING FINISH
 Concrete 125mm Thick, 32mpa, 6% Air Entrainment 6x6 Wire Mesh, Fibre Exp. Joints at all Hard Edges, 6m O.C. in Both Directions, Sawcut Control Joints (1" depth) 2.0m O.C. minimum



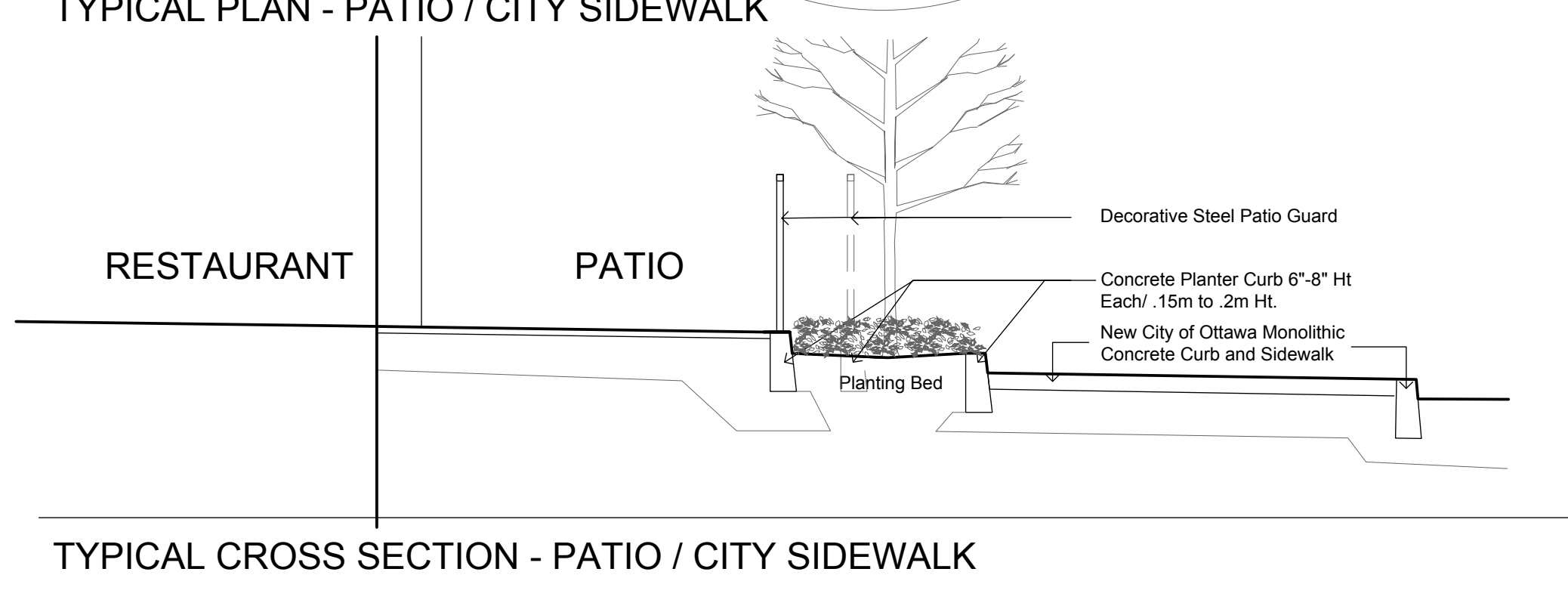
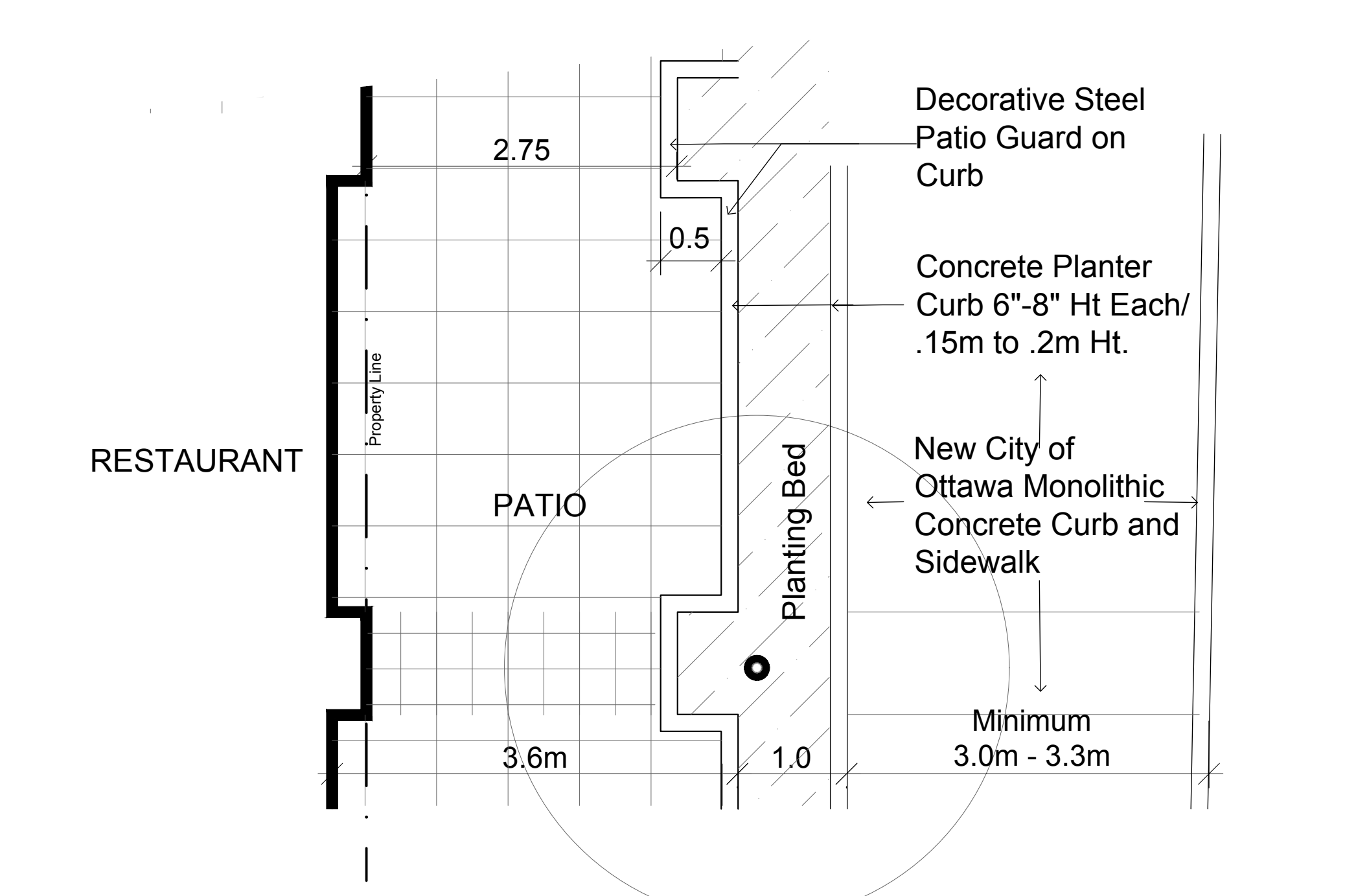
Circum Bicycle Rack
 PS-76-101-TP-Circum Bike Rack

Depth: 2'15.1cm
 Diameter: 24'16.5cm
 Height: 52'18.5cm
 Weight: 21.7 lb/9.9kg

Our Circum Bicycle Rack features a welded tubular and flat-bar steel construction. It is available in your choice of powder-coated finishes, or HauserSHIELD Thermoplastic finishes.

HAUSER SITE FURNITURE

sales@hausersite.com
 800-268-7328
 hausersite.com



Drawing Remains the Property of/Copyright Reserved by Gino J. Aiello Landscape Architect. Do Not Use or Reproduce Without Approval of Gino J. Aiello.
NOT To Be Used For Construction Unless indicated by Revision: **"FOR LANDSCAPE CONSTRUCTION"**.
Contractor is Responsible for Verification of Site Locations of all Utilities. Report any Discrepancies Between Site and Drawing Immediately to Gino J. Aiello. Do NOT Proceed Until Clarified.
 TURF AREAS TO BE SOD C/W 150MM DEPTH TOPSOIL ON APPROVED SUBGRADE | SOD TO BE #1 GRADE TURFGRASS NURSERY SOD per NSGA - Fine Fescue/Kentucky Bluegrass Sod | PLANTING MIX TO BE APPROVED BY LANDSCAPE ARCHITECT | PLANT MATERIAL TO MEET CNLA STANDARDS/BE APPROVED BY LANDSCAPE ARCHITECT PRIOR TO PLANTING | ALL MATERIALS & WORK TO BE MAINTAINED UNTIL FINAL ACCEPTANCE. (MOWING TURF, WEEDING BEDS, WATERING TURF & PLANTS) & INCLUDE 1 YEAR WARRANTY FROM DATE OF FINAL ACCEPTANCE | PROVIDE WATERING OF ALL PLANT MATERIAL AS REQUIRED FOR PROPER ESTABLISHMENT, UNTIL END OF WARRANTY PERIOD | REFER TO CIVIL ENGINEER'S DRAWING FOR ELEVATIONS / GRADING |
 The Landscape Plan is to be read in conjunction with the grading, servicing, site and survey plan | Bare root material to be planted in season only | All plant material locations to be staked on site by the landscape contractor and checked by the landscape architect prior to planting | All trees to be preserved on or directly adjacent to the site will be protected | Plant material are to be installed a minimum of, 3.0m away from any part of any hydro transformer, 3.0m corridor between a fire hydrant and the curb, a 2.5m radius beside or behind a fire hydrant, 2.0m from any servicing/utility line or structure |

REFER TO TCR

Existing Tree to Remain

Existing Tree to be Removed

LANDSCAPE PLAN LEGEND

Proposed Coniferous Tree

Proposed Deciduous Tree

Proposed Planting Bed

Proposed Pavers

Proposed Patio Fence, Style, Ht. TBD.

Bicycle Parking

Minimum QUANTITY 8 - PS-76-101-TP- Circum Bike Rack by HAUSER Anchor to Concrete

REFER TO CIVIL/CUP

U/G Water Service

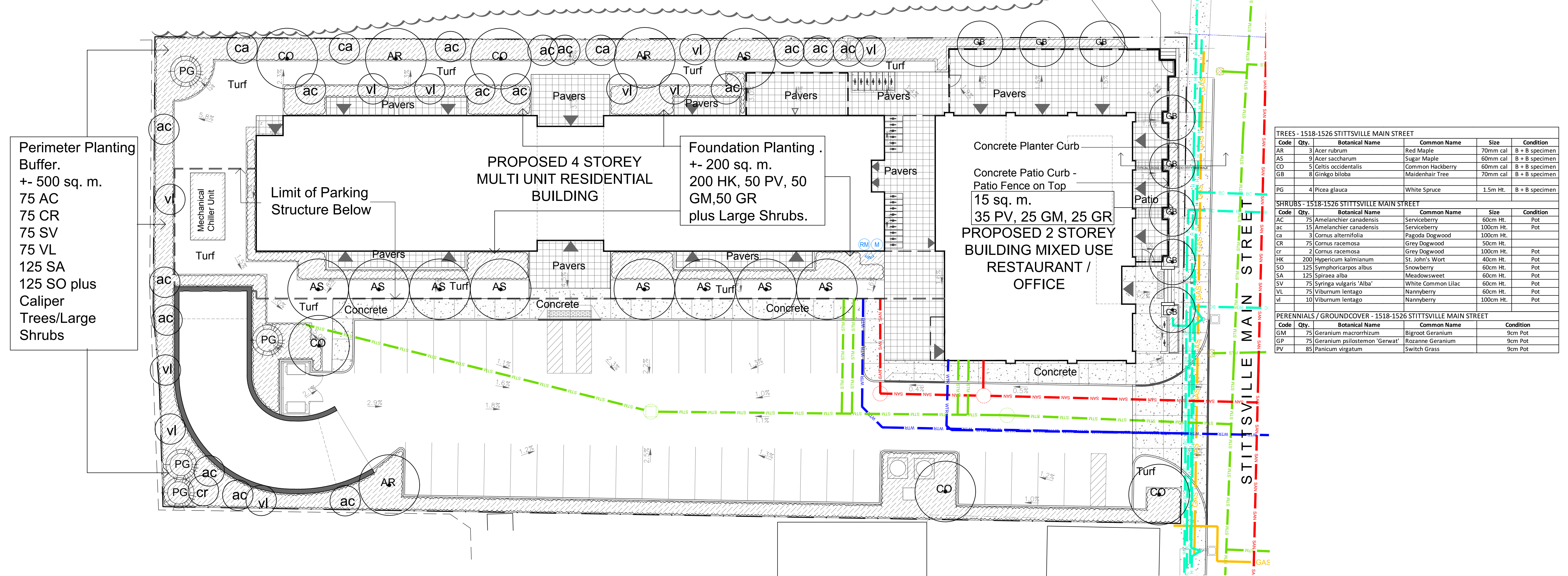
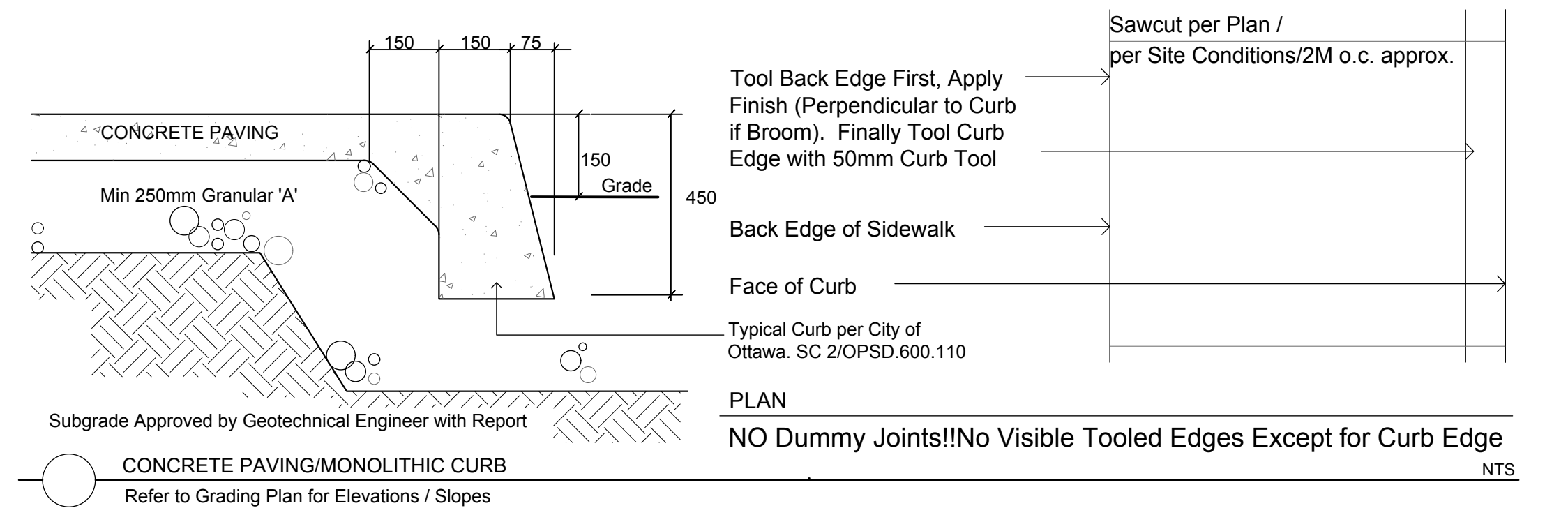
U/G Storm Service

U/G Sanitary Service

O/H Hydro Service

U/G Gas Service

U/G TelCo Service



TREES - 1518-1526 STITTSVILLE MAIN STREET

Code	Qty.	Botanical Name	Common Name	Size	Condition
AR	3	Acer rubrum	Red Maple	70mm cal	B + B specimen
AS	9	Acer saccharum	Sugar Maple	60mm cal	B + B specimen
CO	5	Celtis occidentalis	Common Hackberry	60mm cal	B + B specimen
GB	8	Ginkgo biloba	Maidenhair Tree	70mm cal	B + B specimen
PG	4	Picea glauca	White Spruce	1.5m Ht.	B + B specimen

SHRUBS - 1518-1526 STITTSVILLE MAIN STREET

Code	Qty.	Botanical Name	Common Name	Size	Condition
AC	75	Amelanchier canadensis	Serviceberry	60cm Ht.	Pot
ac	15	Amelanchier canadensis	Serviceberry	100cm Ht.	Pot
ca	3	Cornus alternifolia	Pagoda Dogwood	100cm Ht.	Pot
CR	75	Cornus racemosa	Grey Dogwood	50cm Ht.	Pot
cr	2	Cornus racemosa	Grey Dogwood	100cm Ht.	Pot
HK	200	Hypericum kalmianum	St. John's Wort	40cm Ht.	Pot
SO	125	Symphoricarpos albus	Snowberry	60cm Ht.	Pot
SA	125	Spiraea alba	Meadowsweet	60cm Ht.	Pot
SV	75	Syringa vulgaris 'Alba'	White Common Lilac	60cm Ht.	Pot
VL	75	Viburnum lentago	Nannyberry	60cm Ht.	Pot
vi	10	Viburnum lentago	Nannyberry	100cm Ht.	Pot

PERENNIALS / GROUND COVER - 1518-1526 STITTSVILLE MAIN STREET

Code	Qty.	Botanical Name	Common Name	Condition
GM	75	Geranium macrorrhizum	Bigroot Geranium	9cm Pot
GP	75	Geranium psilostemon 'Gerwat'	Rozanne Geranium	9cm Pot
PV	85	Panicum virgatum	Switch Grass	9cm Pot

No.	Revision	Date
2	SPC SUBMISSION 2	APRIL 27 2021
1	SPC SUBMISSION 1	NOVEMBER 23 2020

PROFESSIONAL LANDSCAPE ARCHITECT

GJALA

Gino J. Aiello

110 Dabury Road Unit # 9 | Ottawa Ontario | K2T 0C2

Property Owner: **INVERNESS HOMES**
 38 Auriga Drive, Suite 200, Ottawa, ON K2E 8A5

Gino J. Aiello | landscape architect GJALA.com
 GJA Inc. Gino@GJALA.com (613) 852 1343
 110 Dabury Road Unit # 9 | Ottawa Ontario | K2T 0C2

Project: **THE STATION MIXED USE DEVELOPMENT**
 1518 STITTSVILLE MAIN STREET

Drawing: **Landscape Plan**

Date: OCTOBER 2020
 Scale: 1:200
 City of Ottawa
 Dwg - 18309

Sheet Number: **L1**

D07-12-20-0167