

LANDSCAPE NOTES

GENERAL

1. THE CONTRACTOR IS TO TAKE ALL NECESSARY PRECAUTIONS TO PROTECT EXISTING SITE FEATURES UNLESS IDENTIFIED FOR REMOVAL OR DEMOLITION, INCLUDING ALL SURVEY BARS AND STAKES. CONTRACTOR IS TO MAKE GOOD ANY DAMAGE.
2. THE CONTRACTOR IS RESPONSIBLE FOR FAMILIARIZING THEMSELVES WITH LIMITS OF CONSTRUCTION PRIOR TO THE COMMENCEMENT OF ANY WORK ON THE SITE. THE CONTRACTOR IS TO CONTACT CONTRACT ADMINISTRATOR IN UNCERTAINTY.
3. THE CONTRACTOR IS RESPONSIBLE FOR LOCATION AND STAKING OF ALL UTILITIES PRIOR TO WORK COMMENCING ON THE SITE. CONTRACTOR SHALL LOCATE PLANT MATERIAL IN ACCORDANCE WITH UTILITY OFFSET REQUIREMENTS.
4. CONTRACTOR IS RESPONSIBLE FOR DAMAGE TO ALL UNDERGROUND SERVICES INCLUDING LIGHT STANDARD ELECTRICAL LINES.
5. IT IS THE RESPONSIBILITY OF THE CONTRACTOR TO CALL A PRIVATE LOCATING COMPANY AND PAY ALL COSTS RELATING TO ALL SERVICES NOT STAKED OUT BY GAS, HYDRO, BELL, AND CABLE.
6. THE CONTRACTOR SHALL VISIT THE SITE TO CONFIRM SITE CONDITIONS PRIOR TO SUBMITTING BIDS.
7. THE CONTRACTOR SHALL REMOVE ALL DEBRIS, GARBAGE AND SURPLUS MATERIALS FROM THE SITE AT THE END OF EACH DAY. THE SITE IS TO BE KEPT CLEAN.
8. UPON FINAL COMPLETION OF THE PROJECT, ALL WORKMANSHIP AND MATERIALS ARE TO BE GUARANTEED FOR ONE (1) FULL YEAR, UNLESS NOTED OTHERWISE. ALL WORKMANSHIP IS TO BE COMPLETED TO THE STANDARDS OF THE ONTARIO LANDSCAPE CONTRACTORS ASSOCIATION.
9. ALL CONSTRUCTION TO BE CARRIED OUT IN ACCORDANCE WITH THE MOST CURRENT DESIGN STANDARDS, CRITERIA, AND SPECIFICATIONS FORM THE ONTARIO BUILDING CODE, THE ONTARIO PROVINCIAL STANDARD DETAIL, THE ONTARIO PROVINCIAL STANDARD SPECIFICATION AND LANDSCAPE ONTARIO.
10. CONTRACTOR TO ENSURE PROPER DEPTH OF EXCAVATIONS TO ACCOMMODATE HARD SURFACE AND LANDSCAPING AS SPECIFIED ON THESE DRAWINGS.

ENVIRONMENTAL NOTES

1. THE CONTRACTOR SHALL ADHERE TO SPECIAL PROVISION REQUIREMENTS FOR THE MANAGEMENT OF ON-SITE MATERIAL AS PER THE DRAWINGS AND SPECIAL PROVISIONS OF THIS CONTRACT.
2. THE CONTRACTOR SHALL ENSURE THAT ALL REASONABLE MEASURES ARE TAKEN TO LIMIT GROUND DISTURBANCE CAUSED BY HEAVY EQUIPMENT USAGE, AND THAT EROSION AND SEDIMENT CONTROLS WILL BE INSTITUTED ON DISTURBED AREAS. NO SUBSURFACE GROUND-DISTURBING EQUIPMENT SHALL BE USED BY CONSTRUCTION FORCES EXCEPT ON ACCESS ROADS.
3. ALL CONSTRUCTION ACTIVITIES WITHIN THE LIMIT OF CONSTRUCTION SHALL BE EXECUTED IN SUCH A MANNER SO AS TO PREVENT THE ENTRY OF CHEMICALS, PETROLEUM PRODUCTS, DEBRIS, RUBBLE, CONCRETE OR OTHER DELETERIOUS SUBSTANCES INTO LANDSCAPE AREAS.
4. THE CONTRACTOR WILL BE RESPONSIBLE FOR DAILY INSPECTION, CLEANUP, AND PROPER LABELING, STORAGE, AND DISPOSAL OF ALL REFUSE AND DEBRIS PRODUCED BY OPERATIONS AND EMPLOYEES. SUITABLE REFUSE COLLECTING FACILITIES WILL BE REQUIRED. ONLY THOSE DISPOSAL AREAS DESIGNATED BY THE OWNER/ CONTRACT ADMINISTRATOR SHALL BE USED. DISPOSAL CONTAINERS SUCH AS DUMPSTERS OR ROLL-OFF CONTAINERS SHALL BE OBTAINED FROM A PROPER WASTE DISPOSAL CONTRACTOR.
5. SOLID, SPECIAL, CONSTRUCTION/DEMOLITION, AS WELL AS SCRAPS ARE PART OF POTENTIAL REFUSE GENERATED AND SHALL BE PROPERLY MANAGED WITH EMPHASIS ON REUSE, RECYCLE, OR POSSIBLE GIVE AWAY, AS APPROPRIATE, BEFORE THEY ARE HANDLED AS WASTE.
6. CONTRACTOR SHALL ENSURE THAT ALL EQUIPMENT IN OPERATION ON THE SITE IS IN GOOD WORKING CONDITION, AND SHALL MAINTAIN AND OPERATE EQUIPMENT TO LIMIT VEHICLE EXHAUST EMISSIONS. CORRECTIVE ADJUSTMENTS OR REPAIRS SHALL BE DONE ON EQUIPMENT AND VEHICLES THAT SHOW EXCESSIVE EMISSIONS OF EXHAUST AND/OR PARTICULATE MATTER DUE TO POOR ENGINE ADJUSTMENTS OR OTHER INEFFICIENT OPERATING CONDITIONS.
7. CONTRACTOR SHALL VISIT SITE PRIOR TO THE START OF CONSTRUCTION AND PHOTOGRAPH EXISTING CONDITIONS. CONTRACTOR TO NOTE ANY OVERHANGING BRANCHES THAT WILL REQUIRE PRUNING TO PERMIT VEHICLE ACCESS AND ADVISE LANDSCAPE ARCHITECT/CONTRACT ADMINISTRATOR. ALL PRUNING SHALL BE AS PER CURRENT ISA (INTERNATIONAL SOCIETY OF ARBORICULTURE) STANDARDS.

FORESTRY (TREE REMOVALS AND PRUNING)

1. ALL FORESTRY WORK SHALL BE FACILITATED AT A PRE-CONSTRUCTION MEETING WITH CONTRACT ADMINISTRATION PRIOR TO THE WORK AND TO REVIEW AND MARK PROPOSED REMOVALS IN THE FIELD.
2. NO TREE REMOVAL WORK IS PERMITTED WITHOUT PRIOR REVIEW AND APPROVAL BY THE CONTRACT ADMINISTRATOR. ALL TREES PROPOSED FOR REMOVAL SHALL BE ASSESSED BY A QUALIFIED BIOLOGIST (HIRED DIRECTLY BY THE TOWN) PRIOR TO REMOVAL.

SITE PREPARATION

1. THE CONTRACTOR SHALL ENSURE POSITIVE DRAINAGE OF ALL AREAS WITHIN THE LIMIT OF THE CONTRACT.
2. CONTRACTOR TO WORK WITHIN GUIDELINES FOR THE CITY'S NOISE BY-LAWS.
3. ANY REFUSE, GARBAGE, OR OTHER DEBRIS ON SITE MUST BE REMOVED AND DISPOSED OF OFF-SITE AT THE EXPENSE OF THE CONTRACTOR.
4. AREAS TO BE SODDED SHALL BE BACKFILLED WITH NATIVE SOIL TO 150MM BELOW FINISHED GRADE TO ALLOW FOR TOPSOIL INSTALLATION.
5. CONTRACTOR TO DETERMINE A SINGLE POINT OF CONSTRUCTION ACCESS AND RESTORE BOULEVARD TO EXISTING OR BETTER CONDITION AFTER THE COMPLETION OF CONSTRUCTION.
6. ABSOLUTELY NO STORAGE OF EQUIPMENT OR MATERIALS OUTSIDE OF CONSTRUCTION FENCING.

SEDIMENTATION CONTROL

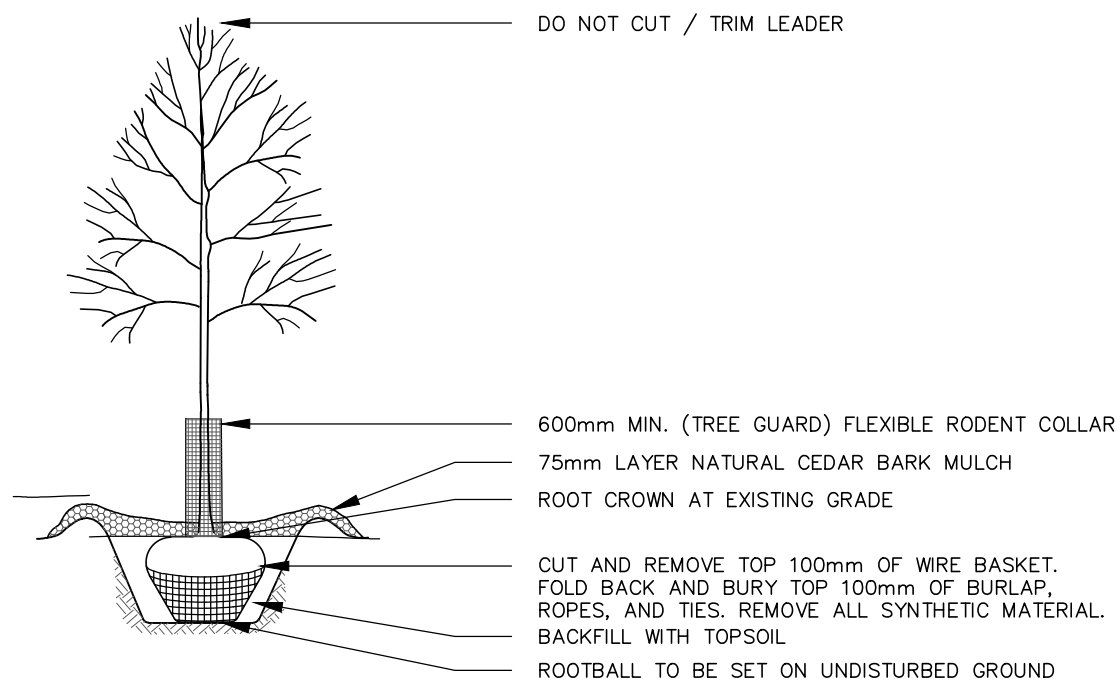
1. ALL SILTATION CONTROL FENCING SHALL BE INSTALLED PRIOR TO THE COMMENCEMENT OF EXCAVATION OR GRADING. CONTRACTOR SHALL SUBMIT SEDIMENTATION CONTROL AND EROSION PROTECTION PLAN TO THE CONTRACT ADMINISTRATOR PRIOR TO COMMENCEMENT OF WORK.
2. CONTRACTOR SHALL BE RESPONSIBLE FOR MAINTAINING ALL SILTATION CONTROL DEVICES IN GOOD WORKING ORDER AT ALL TIMES. CONTRACTOR SHALL INSPECT SUCH DEVICES DAILY AND AFTER EACH RAINFALL EVENT.
3. FOLLOWING COMPLETION OF CONSTRUCTION, COLLECTED SILT SHALL BE DISPOSED OFF-SITE. SILT FENCE SHALL BE REMOVED AND THE AFFECTED AREAS SHALL BE RESTORED IN ACCORDANCE WITH THE APPROVED CONSTRUCTION DRAWINGS.

UNDERGROUND SERVICES AND UTILITIES

1. UTILITIES MUST BE LOCATED BY THE UTILITY COMPANIES BEFORE CONSTRUCTION BEGINS. CONTRACTOR IS RESPONSIBLE FOR ANY DAMAGES WHICH OCCUR TO EXISTING SERVICES DURING CONSTRUCTION.
2. CONTRACTOR IS RESPONSIBLE FOR LOCATING ALL EXISTING UTILITIES ON THE SITE.
3. CONTRACTOR MUST CHECK & VERIFY ALL DIMENSIONS AND CONDITIONS ON THE JOB, REPORTING ALL DISCREPANCIES TO THE CONTRACT ADMINISTRATOR BEFORE PROCEEDING WITH THE WORK.
4. CONTRACTOR IS RESPONSIBLE FOR ANY DAMAGE CAUSED TO EXISTING SERVICES WHEN EXCAVATING.

PLANTING

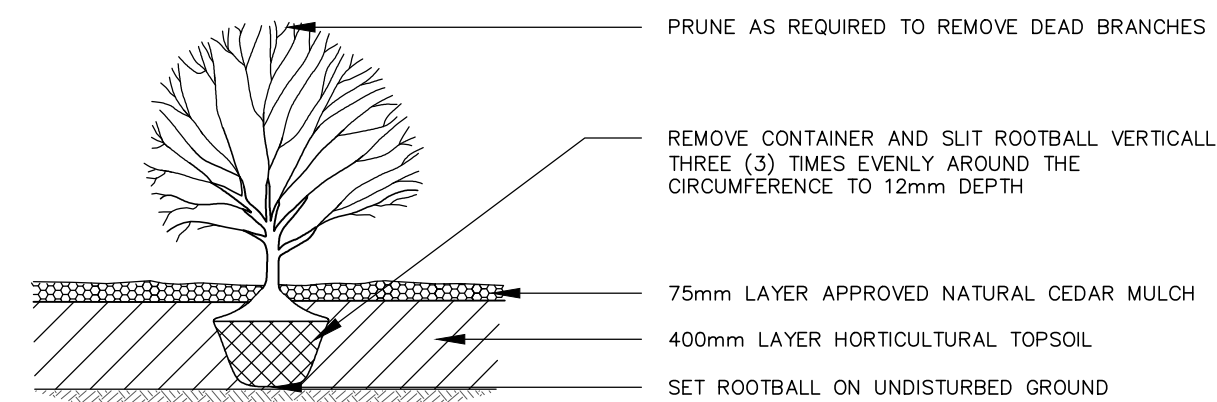
1. ALL PLANTINGS SHALL BE UNDER WARRANTY FOR ONE YEAR (1 YEAR) FROM DATE OF FINAL ACCEPTANCE AND AS SPECIFIED. WARRANTY CONDITIONS SHALL INCLUDE WATERING AS REQUIRED TO SUSTAIN VIVACIOUS GROWTH DURING THE ESTABLISHMENT/WARRANTY PERIOD.
2. THE CONTRACTOR SHALL UNDERTAKE PLANTING PROPOSED ACCORDING TO THE DRAWINGS AND AS SPECIFIED. PLANTING SOIL SHALL COMPLY WITH THESE REQUIREMENTS.
3. ALL PLANTS SHALL BE NURSERY-GROWN AND SUPPLIED BY NURSERIES THAT SUPPORT SUSTAINABLE PRACTICES IN PLANT PRODUCTION.
4. ANY CHANGES, MODIFICATIONS OR EQUIVALENCE PROPOSED BY THE CONTRACTOR IN THE CHOICE OF PLANTS SHALL BE APPROVED BY THE PROFESSIONAL OF RECORD (LANDSCAPE ARCHITECT). PROVIDE GOOD CONTROL OF THE SUPPLIER BEFORE DELIVERY TO THE SITE OF THE PLANT.
5. THE CONTRACTOR SHALL NOTIFY THE PROFESSIONAL OF RECORD (LANDSCAPE ARCHITECT) OF DELIVERY OF PLANT MATERIALS AT LEAST 48 HOURS IN ADVANCE OF DELIVERY FOR REVIEW AND APPROVAL.
6. THE CONTRACTOR SHALL ENSURE THAT THE PLANTS ARE HANDLED WITH CARE SO AS NOT TO BREAK UP SOIL/ROOT CLOS OR BRANCHES. FOR TREES, IF NECESSARY, APPLY AN ANTI-DESCASCANT SO THEY DO NOT DRY OUT DURING TRANSPORT. ANY PLANT DAMAGE SHALL BE REPLACED AT THE CONTRACTOR'S EXPENSE.
7. ON SITE, ALL PLANTS SHOULD BE PROTECTED FROM SUN AND DRYING WINDS AND SHOULD BE WATERED FREQUENTLY UNTIL PLANTING.
8. PITS AND PLANTING BEDS SHOULD BE LOCATED ACCORDING TO THE DRAWINGS AND SHALL BE OF SUFFICIENT SIZE ACCORDING TO THE DETAILS PROVIDED. THE CONTRACTOR SHALL OBTAIN APPROVAL OF THE PITS AND PLANTING BEDS BY THE LANDSCAPE ARCHITECT BEFORE ALL PLANTING.
9. ALL SURFACES OF PLANTING BEDS (SHRUBS) AND SAUCERS FOR TREE PLANTING PITS WILL BE COVERED WITH MULCH, NATURAL CEDAR (MINIMUM 3-INCH THICK LAYER).
10. PLANTS SHOULD BE WATERED LESS THAN AN HOUR AFTER PLANTING AND AGAIN IN THE SAME DAY.
11. ALL DECIDUOUS TREES AND CONIFERS SHALL BE PROTECTED AGAINST RODENTS WITH A SECTION OF CORRUGATED POLYETHYLENE DRAIN PIPE (150MM DIAMETER X 300MM HIGH) INSTALLED AT THE BASE OF THE TRUNK.
12. WINTER PROTECTION: NECESSARY PLANT MATERIAL SHALL BE INSTALLED FOR ALL FRAGILE PLANTS TO PROTECT AGAINST WINTER WINDS OR LIKELY DAMAGE BY SNOW - FOR EXAMPLE THE BASE OF THE BUILDING SUBJECT TO FALLING SNOW FROM ROOFS, OR IN AREAS SUBJECT TO SNOW STORAGE AND REMOVAL. THE PROTECTION SHALL BE REVIEWED AND APPROVED AT THE END OF THE PLANTING WORKS BY LANDSCAPE ARCHITECT. PROTECTIONS MUST BE ADAPTED TO EACH PLANT OR GROUP OF PLANTS ACCORDING TO THE SPECIFICATIONS OF THE LANDSCAPE ARCHITECT. STRUCTURES AND MATERIALS DEVELOPED FOR WINTER PROTECTION SHALL REMAIN IN THE POSSESSION OF THE CUSTOMER AFTER THE WARRANTY PERIOD OF THE WORK.



- NOTES:
1. REFER TO GENERAL PLANTING NOTES THIS SHEET.
  2. PIT SIZE DETERMINED BY TYPE OF MATERIAL TO BE PLANTED. PIT SHALL BE MINIMUM 3X (TIMES) WIDTH OF ROOTBALL.

1 DECIDUOUS TREE PLANTING

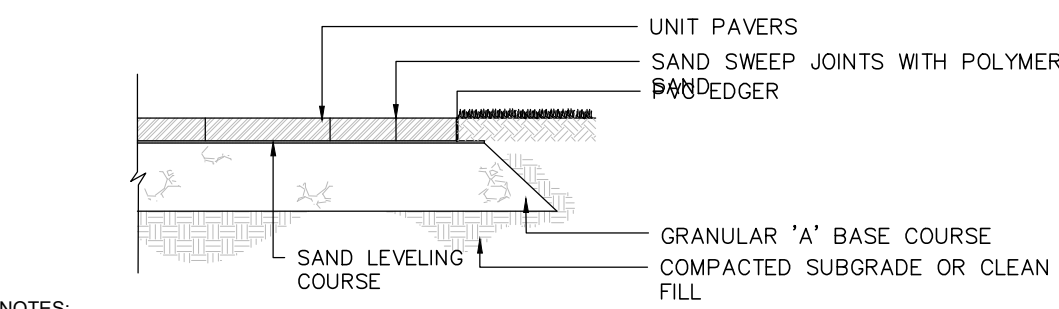
L200 SCALE: NOT TO SCALE



- NOTES:
1. REFER TO PLANTING NOTES THIS SHEET.
  2. DETAIL ALSO APPLIES TO PROPOSED ORNAMENTAL GRASS PLANTINGS.
  3. EXCAVATE ALL AREAS OF PROPOSED PLANTING TO DEPTH OF 400mm MINIMUM. BACKFILL WITH TOPSOIL AS SPECIFIED. SEE PLANTING NOTES THIS SHEET.

2 SHRUB / ORNAMENTAL GRASS PLANTING

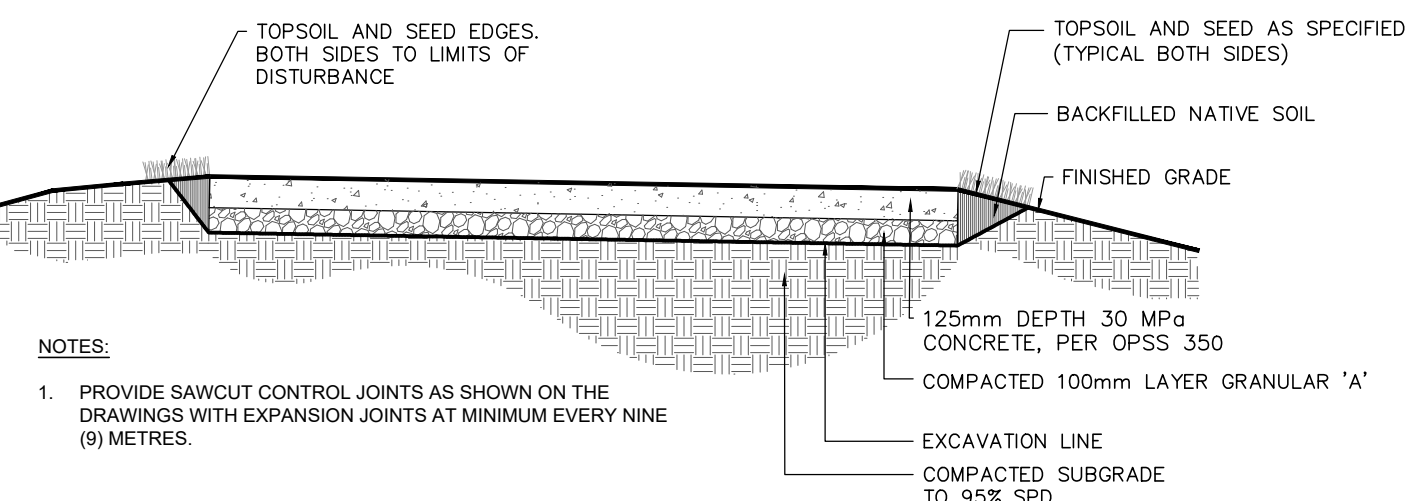
L200 SCALE: NOT TO SCALE



- NOTES:
1. ALL DIMENSIONS IN mm UNLESS SHOWN OTHERWISE.
  2. CROSS SLOPE PAVERS 2% IN DIRECTION OF NATURAL DRAINAGE TO PROVIDE POSITIVE DRAINAGE.
  3. REFER TO THE DRAWINGS FOR AREAS OF PAVEMENT TYPE, LAYOUT, AND COLOUR.
  4. PAVERS SHALL BE BOULEVARD FORMAT 300 PAVERS, BY TRANSPAVE OR APPROVED EQUAL, 70mm THICKNESS.
  5. INSTALLATION SHALL BE AS PER CITY OF OTTAWA STANDARD.
  6. GRANULAR BASE LAYER DEPTH SHALL BE 200mm.
  7. GRANULAR 'A' SHALL MEET THE REQUIREMENTS OF OPS5 1010.

3 CONCRETE UNIT PAVER ON GRANULAR BASE

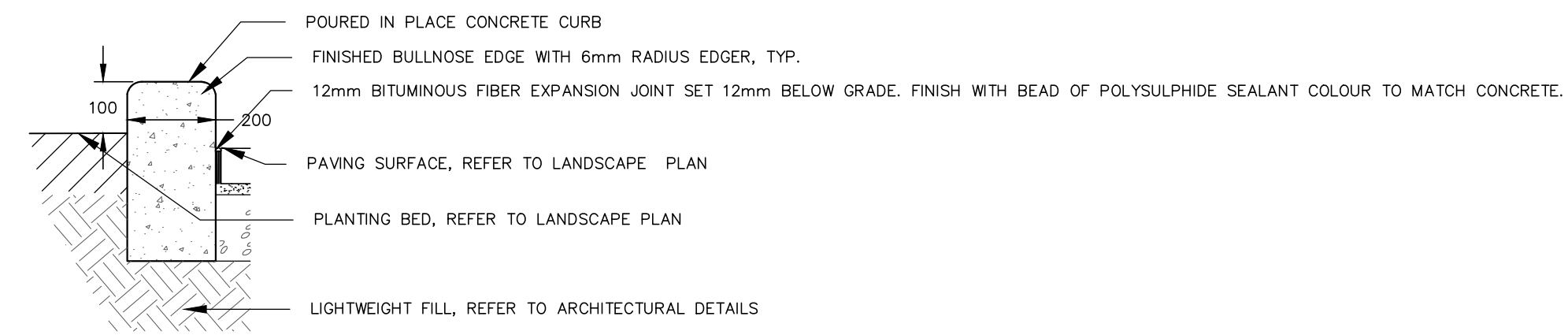
L200 SCALE: NOT TO SCALE



- NOTES:
1. PROVIDE SAWCUT CONTROL JOINTS AS SHOWN ON THE DRAWINGS WITH EXPANSION JOINTS AT MINIMUM EVERY NINE (9) METRES.

4 CONCRETE WALKWAY

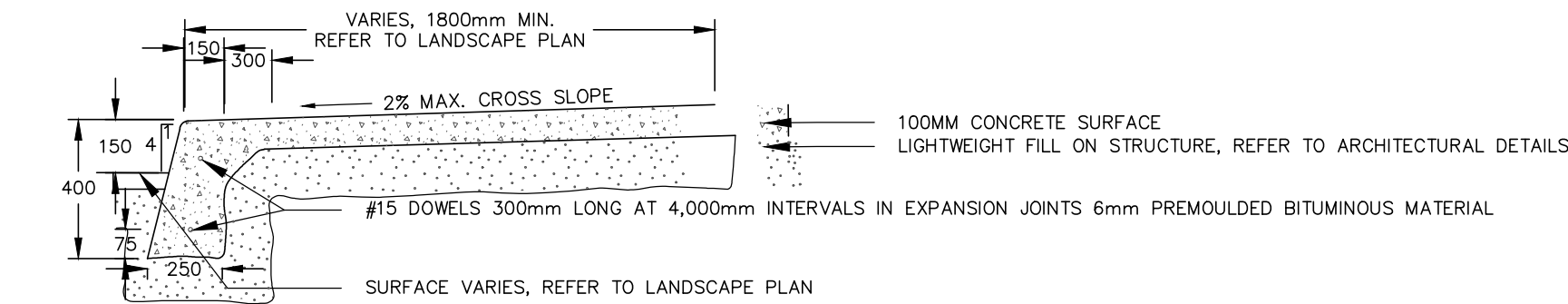
L200 SCALE: NOT TO SCALE



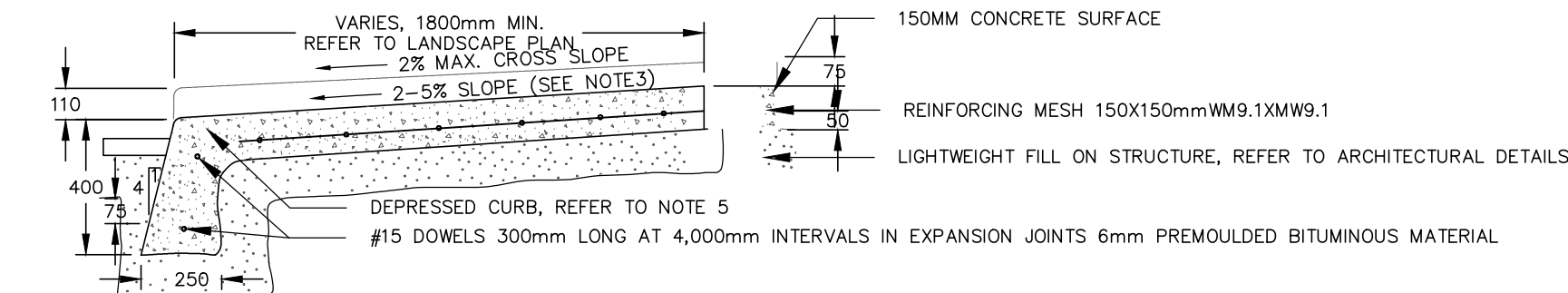
- NOTES:
1. ALL DIMENSIONS IN mm UNLESS SHOWN OTHERWISE.

5 CONCRETE PLANTER CURB

L200 SCALE: NOT TO SCALE



TYPICAL CONCRETE SIDEWALK SECTION

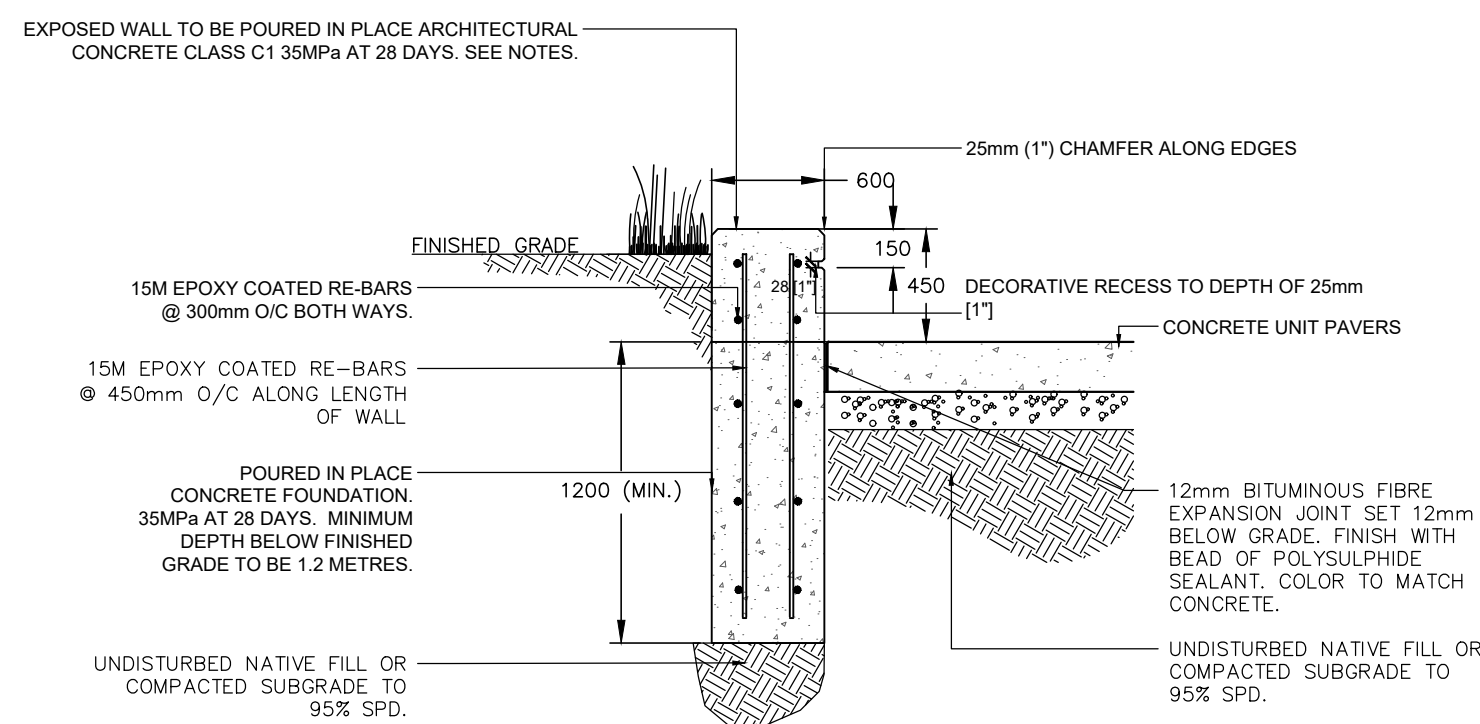


TYPICAL CONCRETE SIDEWALK SECTION AT PRIVATE ENTRANCE / PEDESTRIAN RAMPS

- NOTES:
1. ALL DIMENSIONS IN mm UNLESS SHOWN OTHERWISE.
  2. 2% MAX CROSS SLOPE AND 5% MAX LONGITUDINAL SLOPE.
  3. 2-5% SLOPE, 8% MAX CROSS SLOPES FOR CURB RAMPS.
  4. EXPANSION AND DUMMY JOINTS AS PER CITY OF OTTAWA STANDARD DETAIL SCS.
  5. DEPRESSED CURB HEIGHTS:
    - 5.1. PEDESTRIAN CURB RAMP = 0-6mm;
    - 5.2. PRIVATE ENTRANCE = 0-25mm.

6 MONOLITHIC CONCRETE CURB AND SIDEWALK

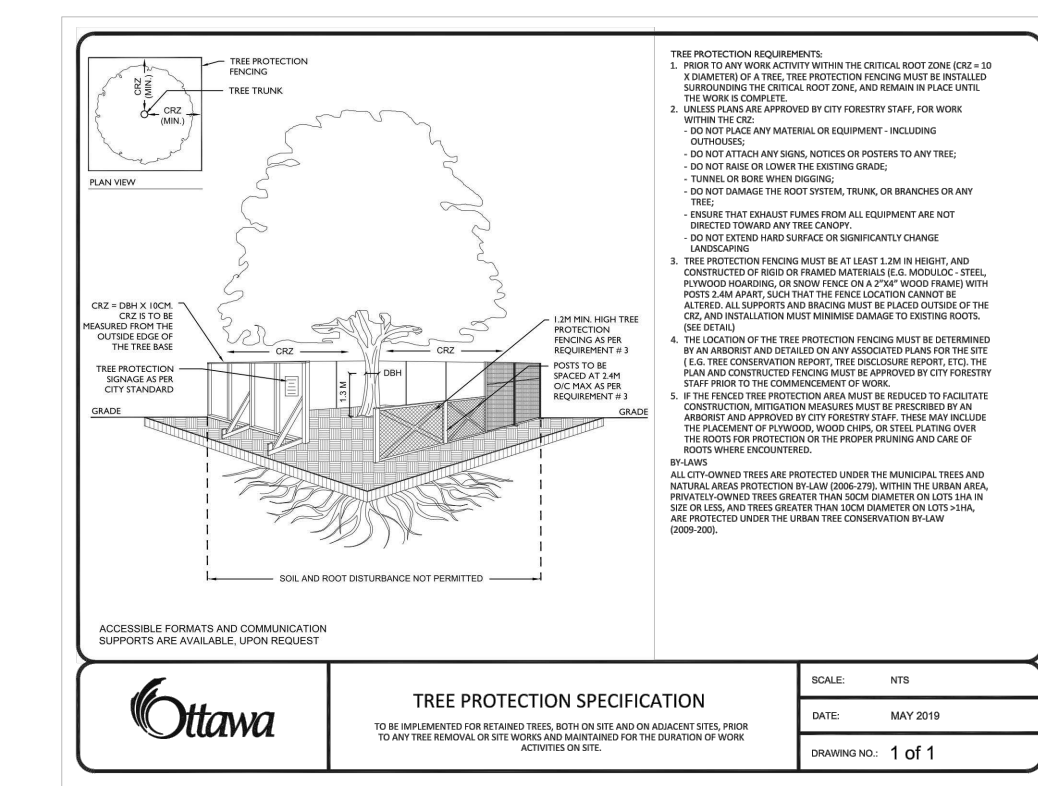
L200 SCALE: NOT TO SCALE



- NOTES:
1. ALL WALL FOUNDATIONS TO BE MINIMUM OF 1.2 METRES BELOW FINISHED GRADE.
  2. CONTRACTOR TO SUPPLY ENGINEER STAMPED SHOP DRAWINGS FOR APPROVAL OF THE CONSULTANT.
  3. CONCRETE COLOUR TO BE A DARK TINT. ALL COLOURED CONCRETE WITHIN A UNIFIED STRUCTURE TO BE POURED FROM THE SAME TRUCK/MIX TO ENSURE CONSISTENT COLOURING. CONCRETE TO BE COLOURED WITH A DARK TINT.
  4. CONCRETE MIX TO BE AGILIA ARCHITECTURAL (LAFARGE) OR APPROVED EQUIVALENT. CONCRETE TO BE 4% - 7% AIR ENTRAINED. EXPOSED SURFACE TO RECEIVE A SUBTLE TEXTURED FINISH (APPLICATION TECHNIQUE TBD - TEXTURE SAME AS WALL FINISH).

7 CONCRETE SEAT WALL

L200 SCALE: NOT TO SCALE

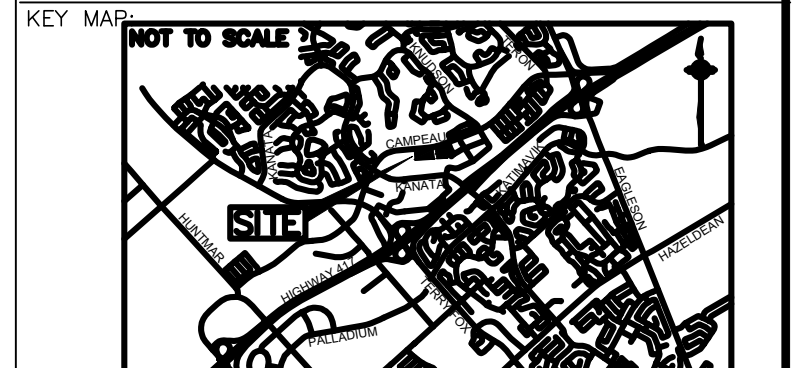


8 TREE PROTECTION SPECIFICATION

L200 SCALE: NOT TO SCALE

CLIENT:

DESIGN FIRM: wsp Landscape Architecture 2511 Queenstown Drive, Suite 400, Ottawa, ON K2B8K2, L613-829-2800, wsp.ca



NO.	DATE	DESCRIPTION	BY
6	28-07-2021	REVISED SPA	JW
5	20-05-2021	REVISED SPA	JW
4	04-12-2020	SPA	JW
3	09-09-2020	REVISED DRAFT UDRP	BL
2	03-09-2020	DRAFT UDRP	BL
1	28-08-2020	DRAFT FOR REVIEW	WL

PRELIMINARY FOR INFORMATION ONLY 2021-07-28

REVISIONS			
SCALE	HORIZONTAL	NTS	FULL SIZE

PROJECT TITLE: 6310 CAMPEAU DRIVE, KANATA, ONTARIO

DRAWING TITLE: LANDSCAPE DETAILS

STAMP: A circular professional seal for a landscape architect in Ontario.

DESIGNED	DRAWN	CHECKED	SEALED
WL	WL	JW	

PROJECT NUMBER: 201-03048-00  
DWG. NUMBER: L200