

landscapeforms Drawing: NLB06-03
Dimensions are in inches (mm)
Spanish Industrial Design 151.245

CONFIDENTIAL DRAWING INFORMATION CONTAINED HEREIN IS THE PROPERTY OF LANDSCAPE FORMS. INTENDED USE IS LIMITED TO DESIGN PROFESSIONALS SPECIFYING LANDSCAPE FORMS PRODUCTS AND THEIR PROJECT CLIENTS. DRAWING IS NOT TO BE COPIED OR DISCLOSED TO OTHERS WITHOUT THE CONSENT OF LANDSCAPE FORMS. © 2019 LANDSCAPE FORMS ALL RIGHTS RESERVED.

Instructions

Assembly Installation Operation

7/2007

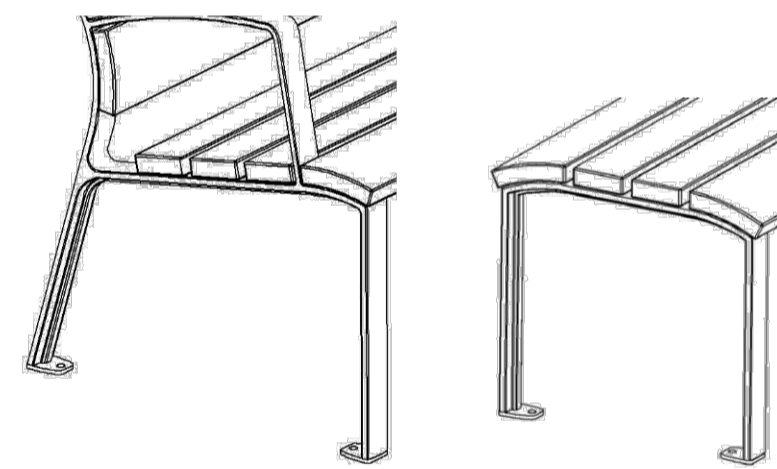
Neoliviano Bench

HANDLE WITH CARE! Do not place or slide parts on concrete or other hard or abrasive surfaces.

Recommended procedure for surface mounting:

Each surface mount bench is shipped with two mounting plates installed on every support casting. Each plate can accept one anchor up to 3/8" diameter. Although the anchoring procedure and hardware are the responsibility of the installer, we suggest the following:

1. Select corrosion resistant anchors appropriate for the surface. Your hardware store or builders supply may be able to recommend the proper hardware, tools, and safety equipment.
2. Check the screws that fasten the mounting plates to the bench. Align plates as shown below and tighten mount screws with a 6mm Allen wrench if necessary.
3. Place the bench in the desired position.
4. Mark hole locations.
5. Move the bench to allow access for drilling holes.
6. Install the anchors and bench according to the anchor manufacturer's instructions.



Correct tab alignment for backed and backless benches shown above.

Recommended procedure for embedded mounting:

Each embedded bench is shipped with two M10 threaded rods per support casting. For mounting to existing concrete, we recommend using an adhesive anchoring system (Hilti HIT RE 500 or Powers Fasteners AC100

landscapeforms
Landscape Forms Inc. Office: 800.521.2546
4331 Cavendish Avenue Fax: 438.37.3462
Kalamazoo MI 49001 landscapeforms.com

Page 1 of 2

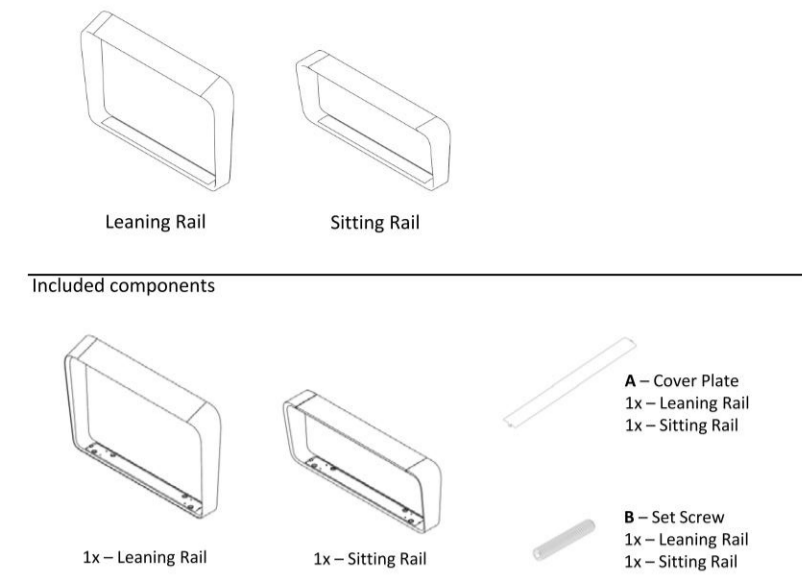
1 ACCESSIBLE BENCH

L4 n.t.s.

DOUGLAS JAMES, MCIP, RPP
MANAGER, DEVELOPMENT REVIEW - CENTRAL
PLANNING, INFRASTRUCTURE & ECONOMIC
DEVELOPMENT DEPARTMENT, CITY OF OTTAWA

APPROVED

By Douglas James at 10:04 am, Dec 02, 2021



Tools Required

- Safety glasses
- 1/8" Hex key wrench
- 3/16" Hex key wrench
- Hammer drill with 3/8" diameter masonry bits
- Socket wrench or hammer for anchoring hardware
- Blanket or other padded material, for protecting powdercoat finish
- Stainless steel anchoring hardware, (4) required per unit (not included). Landscape Forms, Inc. recommends maximum 3/8" dia bolt, with a minimum embedded depth of 3" (see section view of anchoring hole for clearances).

ASSEMBLY WITH CARE! Pangard II® Polyester Powdercoat is a strong, long-lasting finish. To protect this finish during assembly, place unwrapped powdercoated parts on packaging foam or other non-marring surface. Do not place or slide powdercoated parts on concrete or other hard or textured surface - this will damage the finish causing rust to occur. Use touch-up paint on any gouges in the finish caused by assembly tools.

landscapeforms

Installation:

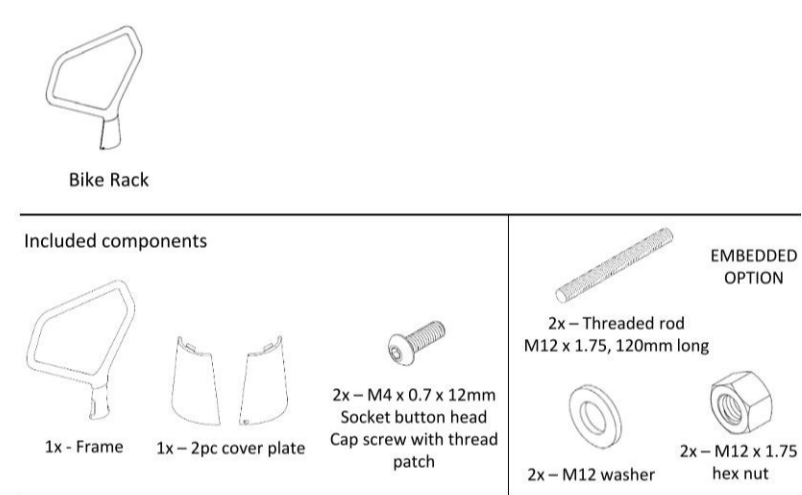
WARNING! Units must be surface mounted.

1. Place unit in position and mark the hole locations.
2. Set unit aside and drill holes according to the anchor manufacturer's recommendations. Clear holes of debris.
3. Install set screw (B) in one end of the unit. Allow for access to set screw once unit has been installed.
4. Move unit back in place and install anchor bolts according to anchor manufacturer's recommendations. Do not fully tighten at this time.
5. Using the 3/16" hex wrench, adjust the (4) leveling glides to level and plumb the unit (see Figures 1, 4).
6. Fully tighten the anchor hardware per the manufacturer's recommendations.
7. Anchor hardware should not interfere with cover plate once installed.
8. Install cover plate (A) by inserting tab end into base casting at the opposite end of the set screw location (see Figure 2).
9. Using a 1/8" hex wrench, tighten set screw until cover plate is fully engaged (see Figures 3, 4).

Page 1 of 2

2 LEANING RAIL

L4 n.t.s.



Tools Required

- Unit ships assembled
- 2.5mm hex key
- 19mm wrenches for embedded option
- Hammer drill with masonry bits
- For embedded mount option: chemical anchoring adhesive (Hilti HIT RE 500 or equivalent)
- For surface mount option: stainless steel anchoring hardware, (2) required per unit (not included). Landscape Forms, Inc. recommends maximum 12mm dia bolt, with a minimum embedded depth of 80mm (see Fig. 4 for bolt clearances).

WARNING! Unit must be anchored.

HANDLE WITH CARE! The finish can be scuffed by contact with tools, concrete, or other abrasive surfaces. Protect the finish from damage during installation.

landscapeforms

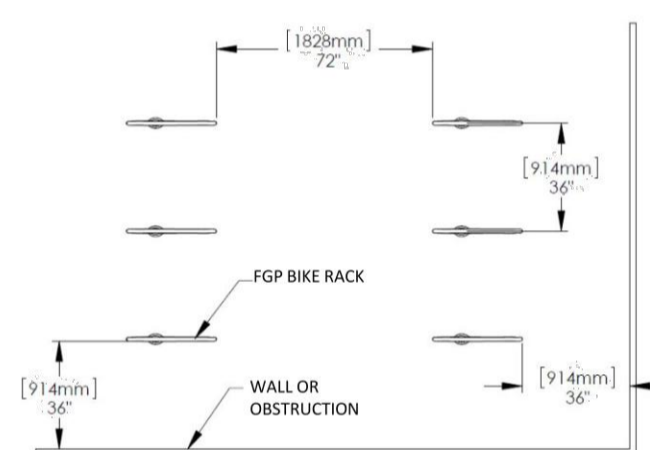


Fig. 1 - Recommended spacing, according to Association of Pedestrian and Bicycle Professionals (APBP), 2nd edition

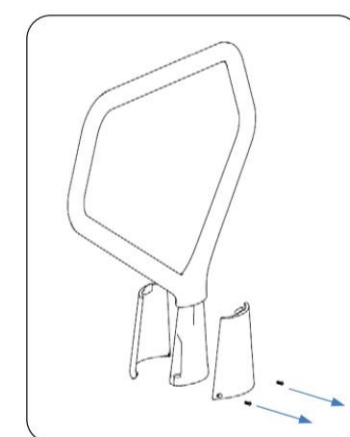


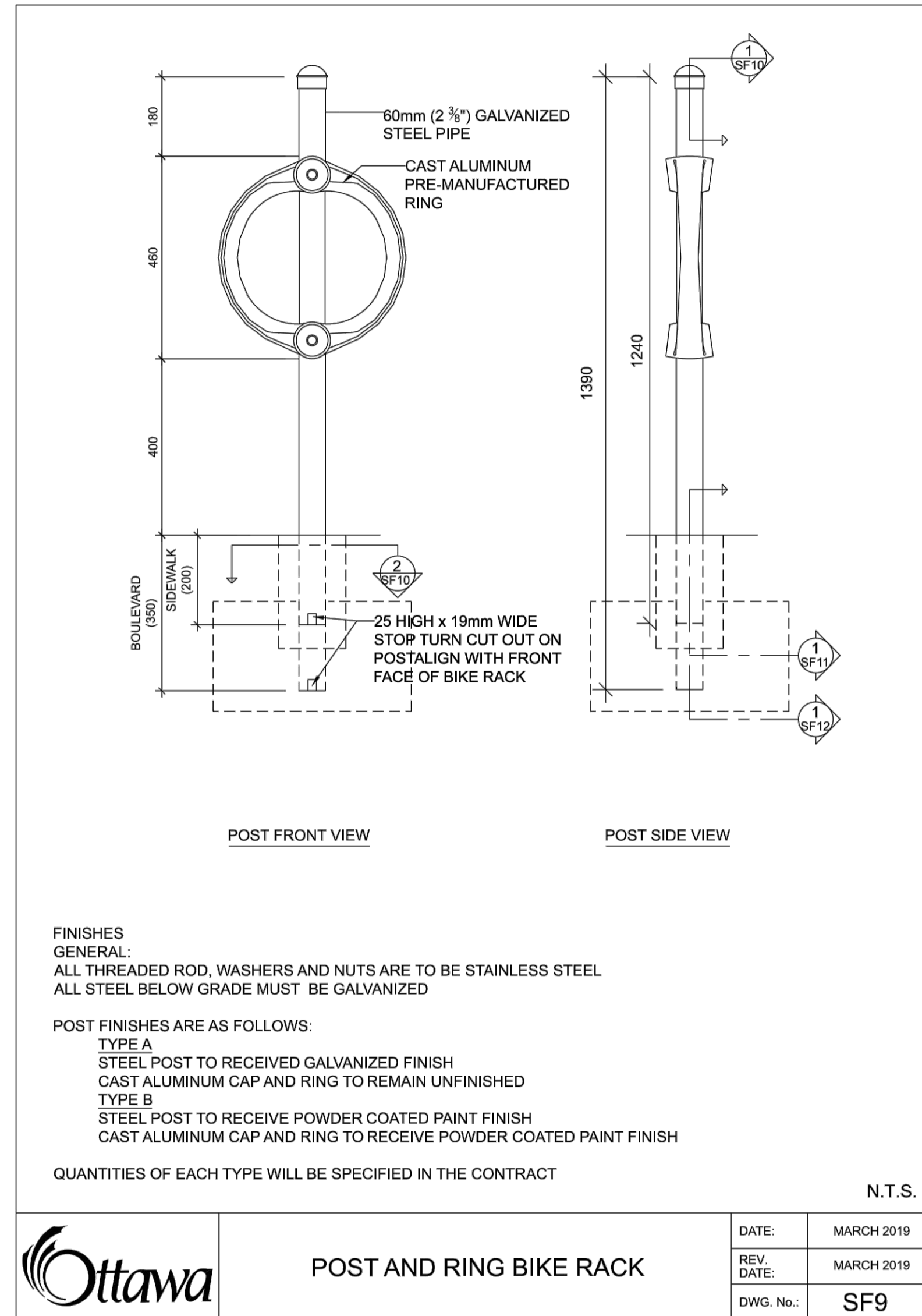
Fig. 2 - remove cover plates

landscapeforms

Page 1 of 2

3 BIKE RACK

L4 n.t.s.



FINISHES
GENERAL:
ALL THREADED ROD, WASHERS AND NUTS ARE TO BE STAINLESS STEEL
ALL STEEL BELOW GRADE MUST BE GALVANIZED

POST FINISHES ARE AS FOLLOWS:

- TYPE A
STEEL POST TO RECEIVE GALVANIZED FINISH
CAST ALUMINUM CAP AND RING TO REMAIN UNFINISHED
- TYPE B
STEEL POST TO RECEIVE POWDER COATED PAINT FINISH
CAST ALUMINUM CAP AND RING TO RECEIVE POWDER COATED PAINT FINISH

QUANTITIES OF EACH TYPE WILL BE SPECIFIED IN THE CONTRACT

N.T.S.

Ottawa	DATE:	MARCH 2019
	REV. DATE:	MARCH 2019
	DWG. No.:	SF9
	POST AND RING BIKE RACK	

4 O-RING BIKE RACK

L4 n.t.s.

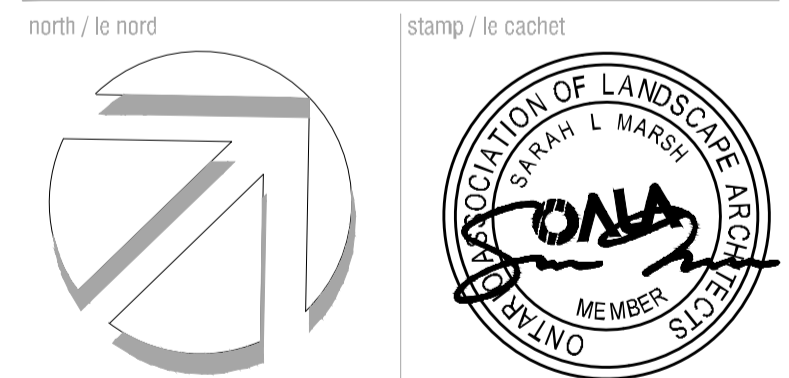
Client / Client



legend / légende

rev'n	description / la description	yyyy/mm/dd
07	revised to address City comments - re-issued for SPA	2021/10/29
06	revised to address City comments - re-issued for SPA	2021/09/23
05	revised to address City comments - re-issued for SPA	2021/08/20
04	revised to address City comments - re-issued for SPA	2021/08/06
03	coordination with new Site Plan - issued for SPA	2021/05/06
02	issued for SPA	2020/12/18
01	issued for Coordination	2020/12/16
00	issued for Coordination	2020/11/25

FOTENN Planning + Design
396 Cooper Street, Suite 300
Ottawa, ON, CANADA K2P 2H7
613.730.5709
fotenn.com



project / projet

**78-88 BEECHWOOD AVE &
69-93 BARRETTE ST**

drawing / dessin

CONSTRUCTION DETAILS

designed / conçu PM / SM	drawn / dessiné PM / SP / MB	reviewed / examiné SM
date OCT 2021	project number / No. du projet	

drawing number / No. du dessin

L4 of 4