

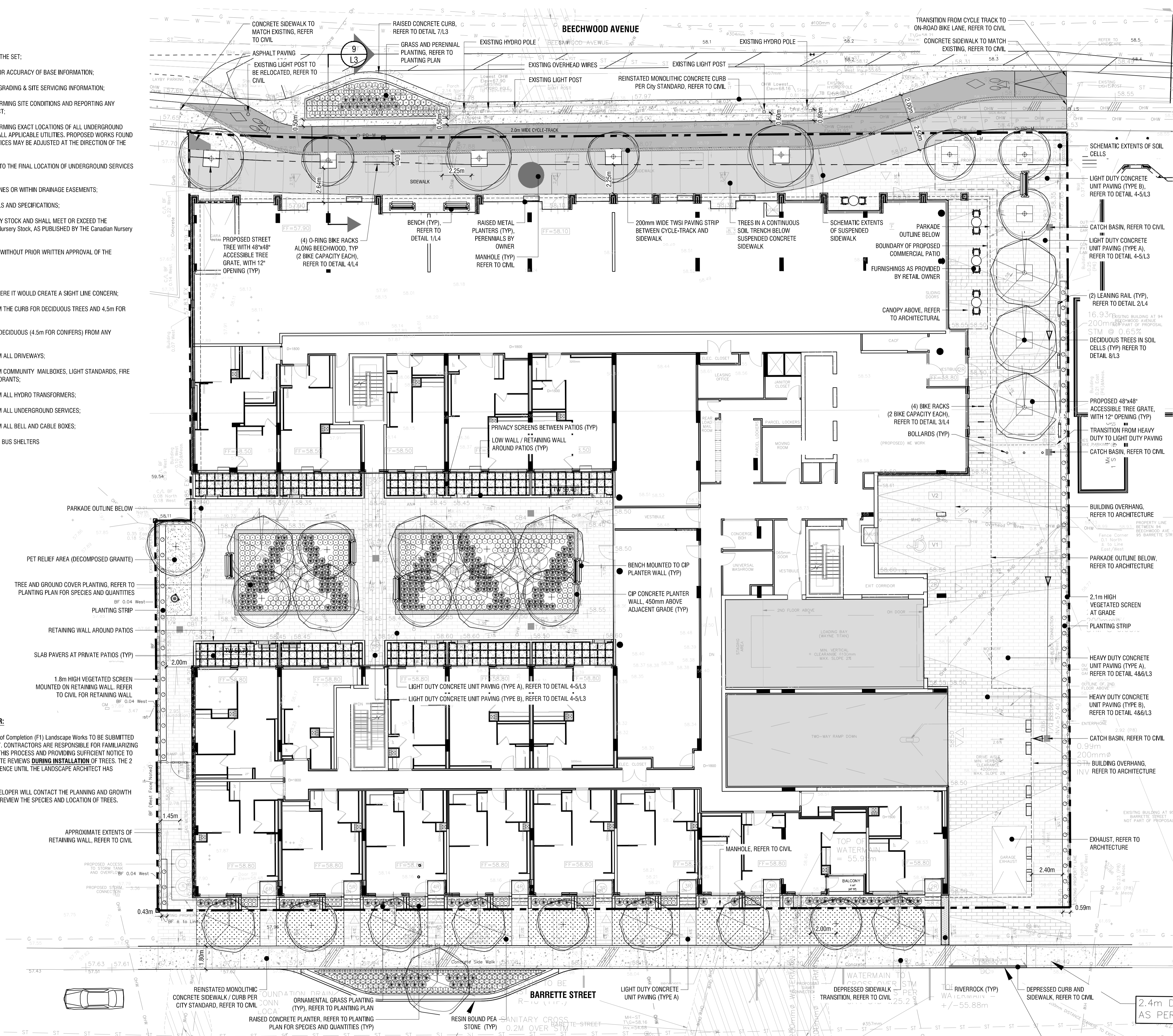
NOTES:

- DO NOT SCALE DRAWINGS;
- NOTES ARE APPLICABLE TO ALL DRAWINGS IN THE SET;
- Fotenn Consultants Inc. IS NOT RESPONSIBLE FOR ACCURACY OF BASE INFORMATION;
- REFER TO CIVIL ENGINEERING DRAWINGS FOR GRADING & SITE SERVICING INFORMATION;
- THE CONTRACTOR IS RESPONSIBLE FOR CONFIRMING SITE CONDITIONS AND REPORTING ANY DISCREPANCIES TO THE LANDSCAPE ARCHITECT;
- THE CONTRACTOR IS RESPONSIBLE FOR CONFIRMING EXACT LOCATIONS OF ALL UNDERGROUND SERVICES AND OBTAINING CLEARANCE FROM ALL APPLICABLE UTILITIES. PROPOSED WORKS FOUND TO BE IN CONFLICT WITH UNDERGROUND SERVICES MAY BE ADJUSTED AT THE DIRECTION OF THE LANDSCAPE ARCHITECT;
- LANDSCAPE ELEMENTS SHOWN ARE SUBJECT TO THE FINAL LOCATION OF UNDERGROUND SERVICES AND UTILITIES;
- DO NOT INSTALL TREES ON PROPERTY / LOT LINES OR WITHIN DRAINAGE EASEMENTS;
- PERFORM WORK IN ACCORDANCE WITH DETAILS AND SPECIFICATIONS;
- ALL PLANT MATERIAL SHALL BE No. 1 NURSERY STOCK AND SHALL MEET OR EXCEED THE SPECIFICATION OF THE Canadian Standards for Nursery Stock, AS PUBLISHED BY THE Canadian Nursery Landscape Association;
- SPECIES SUBSTITUTIONS ARE NOT PERMITTED WITHOUT PRIOR WRITTEN APPROVAL OF THE LANDSCAPE ARCHITECT;
- STANDARDS FOR TREE PLANTING:**
- NO PLANTING ON CORNERS OR ANYWHERE WHERE IT WOULD CREATE A SIGHT LINE CONCERN;
- MAINTAIN A MINIMUM DISTANCE OF 2.5m FROM THE CURB FOR DECIDUOUS TREES AND 4.5m FOR CONIFEROUS TREES;
- MAINTAIN A MINIMUM DISTANCE OF 1.5m FOR DECIDUOUS (4.5m FOR CONIFERS) FROM ANY SIDEWALK OR PRIVATE WALKWAY;
- MAINTAIN A MINIMUM DISTANCE OF 1.2m FROM ALL DRIVEWAYS;
- MAINTAIN A MINIMUM DISTANCE OF 2.5m FROM COMMUNITY MAILBOXES, LIGHT STANDARDS, FIRE HYDRANTS AND NO PLANTING IN FRONT OF HYDRANTS;
- MAINTAIN A MINIMUM DISTANCE OF 3.0m FROM ALL HYDRO TRANSFORMERS;
- MAINTAIN A MINIMUM DISTANCE OF 1.0m FROM ALL UNDERGROUND SERVICES;
- MAINTAIN A MINIMUM DISTANCE OF 1.0m FROM ALL BELL AND CABLE BOXES;
- MAINTAIN A MINIMUM DISTANCE OF 10.0 FROM BUS SHELTERS

IMPORTANT NOTICE FOR CONTRACTOR:

THE CITY OF OTTAWA REQUIRES A Certificate of Completion (F1) Landscape Works TO BE SUBMITTED AND SEALED BY THE LANDSCAPE ARCHITECT. CONTRACTORS ARE RESPONSIBLE FOR FAMILIARIZING THEMSELVES WITH THE REQUIREMENTS OF THIS PROCESS AND PROVIDING SUFFICIENT NOTICE TO THE LANDSCAPE ARCHITECT TO CONDUCT SITE REVIEWS DURING INSTALLATION OF TREES. THE 2 YEAR WARRANTY PERIOD SHALL NOT COMMENCE UNTIL THE LANDSCAPE ARCHITECT HAS SUBMITTED THE F1 Certificate.

PRIOR TO INSTALLATION OF TREES, THE DEVELOPER WILL CONTACT THE PLANNING AND GROWTH MANAGEMENT AND FORESTRY SERVICES TO REVIEW THE SPECIES AND LOCATION OF TREES.



Copyright Reserved
 The Copyrights to all designs and drawings are the property of Fotenn Consultants Inc. Unauthorized reproduction or use is forbidden. DO NOT SCALE DRAWING
 Copyright réservés
 Les droits d'auteur à tous les modèles et dessins sont la propriété de Fotenn Consultants Inc. Toute reproduction ou utilisation non autorisée est interdite. NE PAS L'ÉCHELLE DE DESSIN



Legend / légende

- BOUNDARY OF APPLICATION
- DECIDUOUS TREES (SEE PLANTING NOTES & SCHEDULE FOR SPECIES AND QUANTITIES)
- PERENNIALS, GRASSES AND VINES (SEE PLANTING NOTES & SCHEDULE FOR SPECIES AND QUANTITIES)
- PLANT KEY
- CONCRETE UNIT PAVING - TYPE A
- CONCRETE UNIT PAVING - TYPE B
- CONCRETE PAVING
- 50mm DEPTH RESIN BOUND PEA STONE SURFACE
- VEGETATED SCREEN
- BIKE RACKS (CAPACITY - 2 BICYCLES)
- SITE FURNISHINGS

SCALE 1:150

rev/n	description / la description	yyyy/mm/dd
07	revised to address City comments - re-issued for SPA	2021/10/29
06	revised to address City comments - re-issued for SPA	2021/09/23
05	revised to address City comments - re-issued for SPA	2021/08/20
04	revised to address City comments - re-issued for SPA	2021/08/06
03	coordination with new Site Plan - issued for SPA	2021/05/06
02	issued for SPA	2020/12/18
01	issued for Coordination	2020/12/16
00	issued for Coordination	2020/11/25

FOTENN Planning + Design
 396 Cooper Street, Suite 300
 Ottawa, ON, CANADA K2P 2H7
 613.730.5709
 fotenn.com

north / le nord stamp / le cachet

project / projet
78-88 BEECHWOOD AVE & 69-93 BARRETTE ST

drawing / dessin
LANDSCAPE PLAN

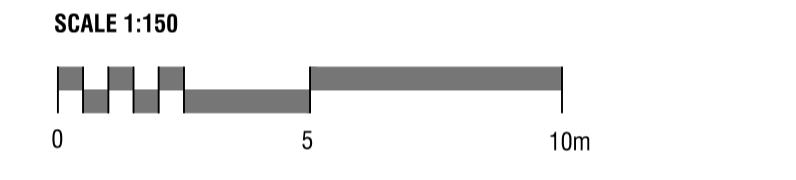
designed / conçu PM / SM	drawn / dessiné PM / SP / MB	reviewed / examiné SM
date OCT 2021		
drawing number / No. du dessin		

Client / Client



Legend / légende

- BOUNDARY OF APPLICATION
- XX DECIDUOUS TREES (SEE PLANTING NOTES & SCHEDULE FOR SPECIES AND QUANTITIES)
- YY PERENNIALS, GRASSES AND VINES (SEE PLANTING NOTES & SCHEDULE FOR SPECIES AND QUANTITIES)
- 3 PLANT KEY
- CONCRETE UNIT PAVING - TYPE A
- CONCRETE UNIT PAVING - TYPE B
- CONCRETE PAVING
- 50mm DEPTH RESIN BOUND PEA STONE SURFACE
- VEGETATED SCREEN
- BIKE RACKS (CAPACITY - 2 BICYCLES)
- SITE FURNISHINGS



07	revised to address City comments - re-issued for SPA	2021/10/29
06	revised to address City comments - re-issued for SPA	2021/09/23
05	revised to address City comments - re-issued for SPA	2021/08/20
04	revised to address City comments - re-issued for SPA	2021/08/06
03	coordination with new Site Plan - issued for SPA	2021/05/06
02	issued for SPA	2020/12/18
01	issued for Coordination	2020/12/16
00	issued for Coordination	2020/11/25

FOTENN Planning + Design
 396 Cooper Street, Suite 300
 Ottawa, ON, CANADA K2P 2H7
 613.730.5709
 fotenn.com

north / le nord stamp / le cachet

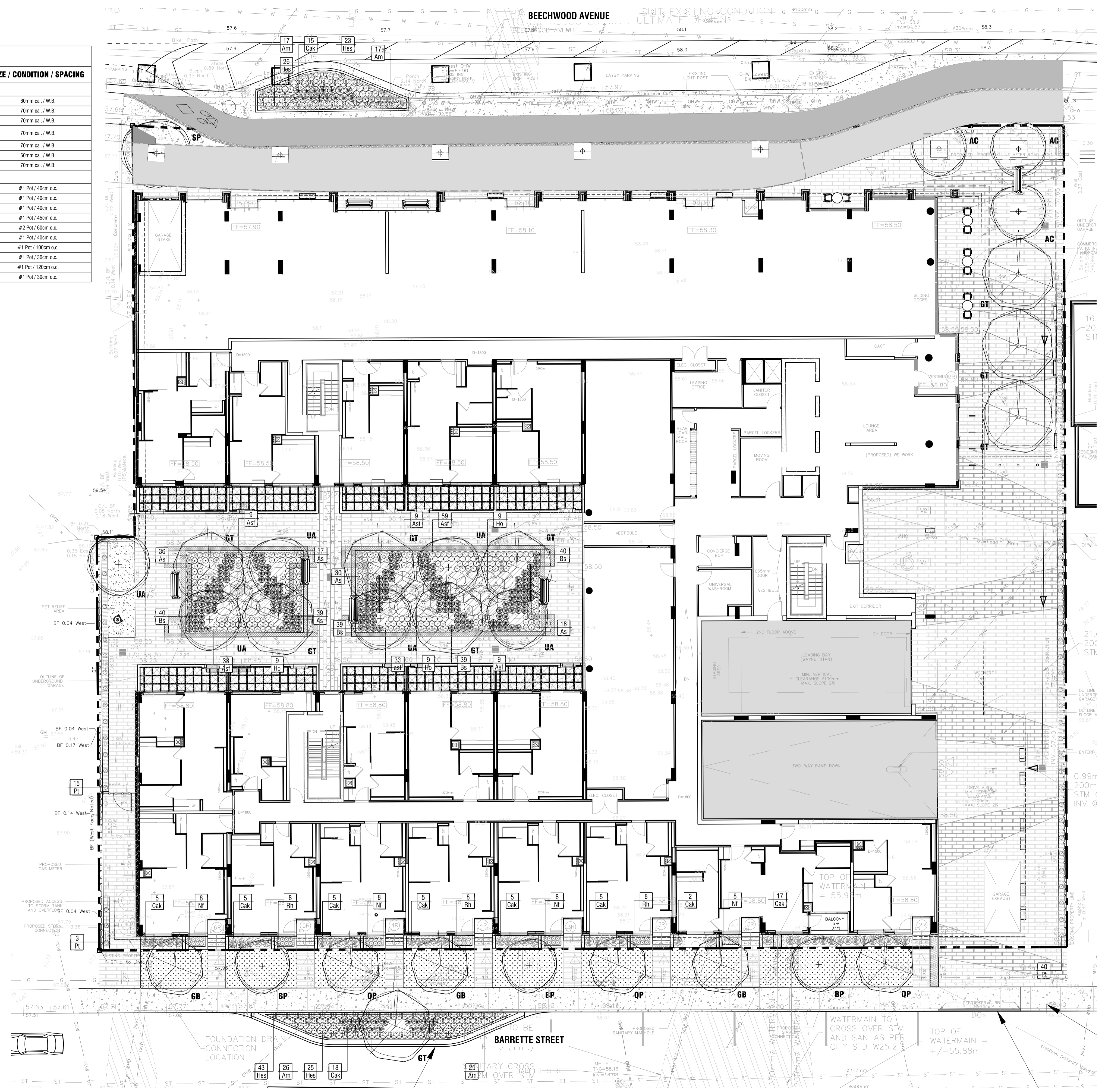
project / projet
78-88 BEECHWOOD AVE & 69-93 BARRETTE ST

drawing / dessin
PLANTING PLAN

designed / conçu PM / SM	drawn / dessiné PM / SP / MB	reviewed / examiné SM
date OCT 2021		
drawing number / No. du dessin		

L2 of 4

PLANTING SCHEDULE				
KEY	QTY.	BOTANICAL NAME	COMMON NAME	SIZE / CONDITION / SPACING
DECIDUOUS TREES				
AC	5	Ametanchier canadensis	Servicberry	60mm cal. / W.B.
BP	3	Betula pendula 'Fastigiata'	Pyramidal European Birch	70mm cal. / W.B.
GB	3	Ginkgo biloba 'Fastigiata'	Columnar Maidenhair Tree	70mm cal. / W.B.
GT	9	Gleditsia triacanthos var. inermis 'Street Keeper®' (Draves)	Street Keeper® (Draves) Honeylocust	70mm cal. / W.B.
QP	3	Quercus palustris 'Pringren'	Green Pillar Oak	70mm cal. / W.B.
SP	3	Syringa pekinensis 'Summer Charm®'	Summer Charm Tree Lilac	60mm cal. / W.B.
UA	6	Ulmus americana 'Strandor'	Brandon Elm	70mm cal. / W.B.
PERENNIALS, GRASSES AND VINES				
Am	85	Achillea millefolium 'Summer Pastels'	Summer Pastels Yarrow	#1 Pot / 40cm o.c.
Asf	152	Astilbe x 'Fireberry'	Fireberry Astilbe	#1 Pot / 40cm o.c.
As	121	Astilbe chinensis 'Pumila'	Dwarf Chinese Astilbe	#1 Pot / 40cm o.c.
Bs	197	Blechnum spicant	Dear Fern	#1 Pot / 45cm o.c.
Cak	82	Calamagrostis acutiflora 'Karl Foerster'	Feather Reed Grass	#2 Pot / 60cm o.c.
Hes	117	Hemerocallis 'Stella D'Or'	Stella D'Or Daylily	#1 Pot / 40cm o.c.
Ho	27	Hosta 'Blue Angel'	Plantain Lily	#1 Pot / 100cm o.c.
Nr	32	Nepeta faasseni 'Purssan Blue'	Purssan Blue Catmint	#1 Pot / 30cm o.c.
Pt	58	Parthenocissus 'tricuspidata 'Vetchi'	Boston Ivy	#1 Pot / 120cm o.c.
Rh	24	Rudbeckia hirta 'Autumn Colours'	Autumn Colours Gloriosa Daisy	#1 Pot / 30cm o.c.



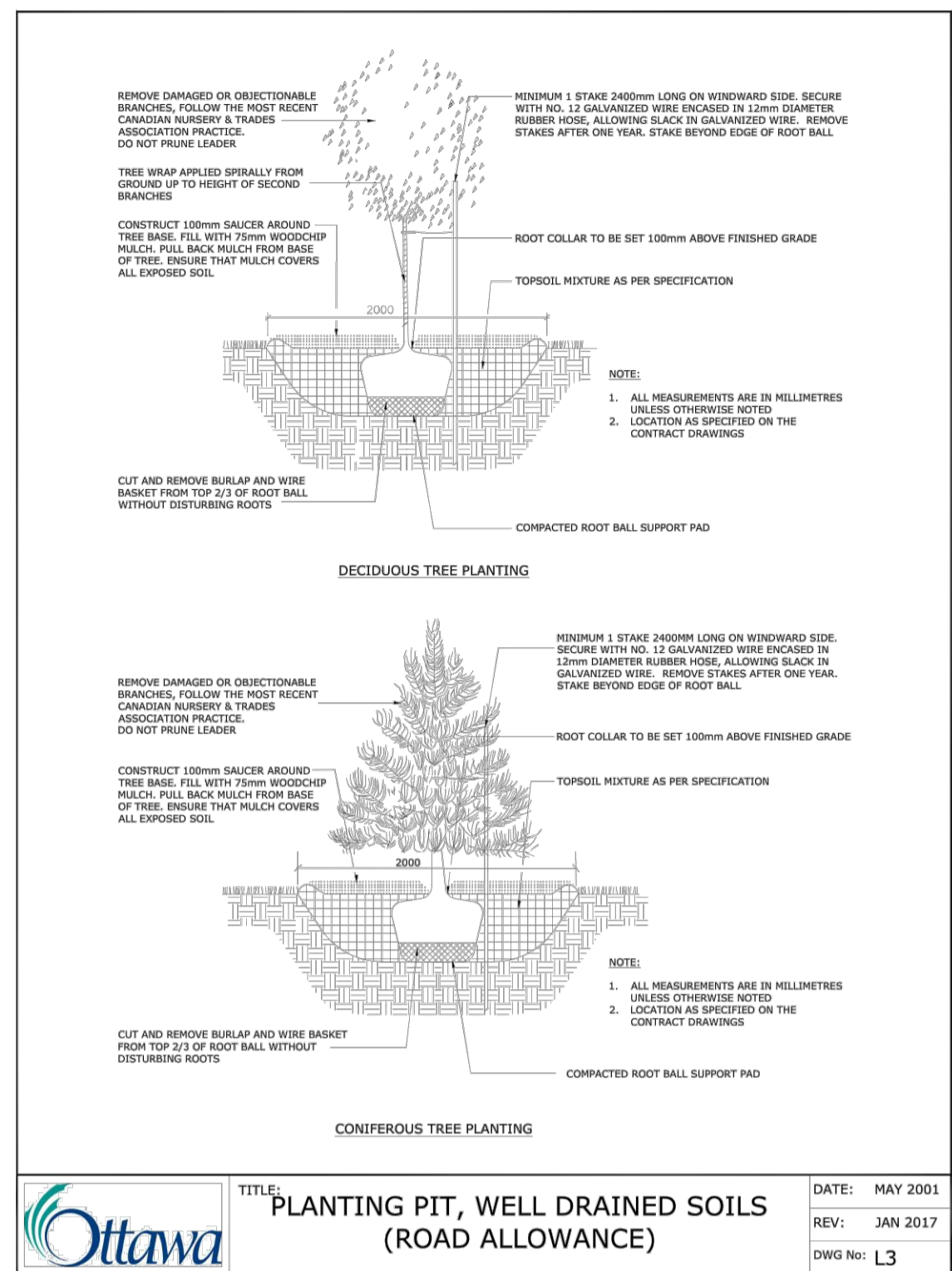
1 PLANTING PLAN
L2 1:150

CITY FILE No. D07-12-20-0186 CITY PLAN No. 18404

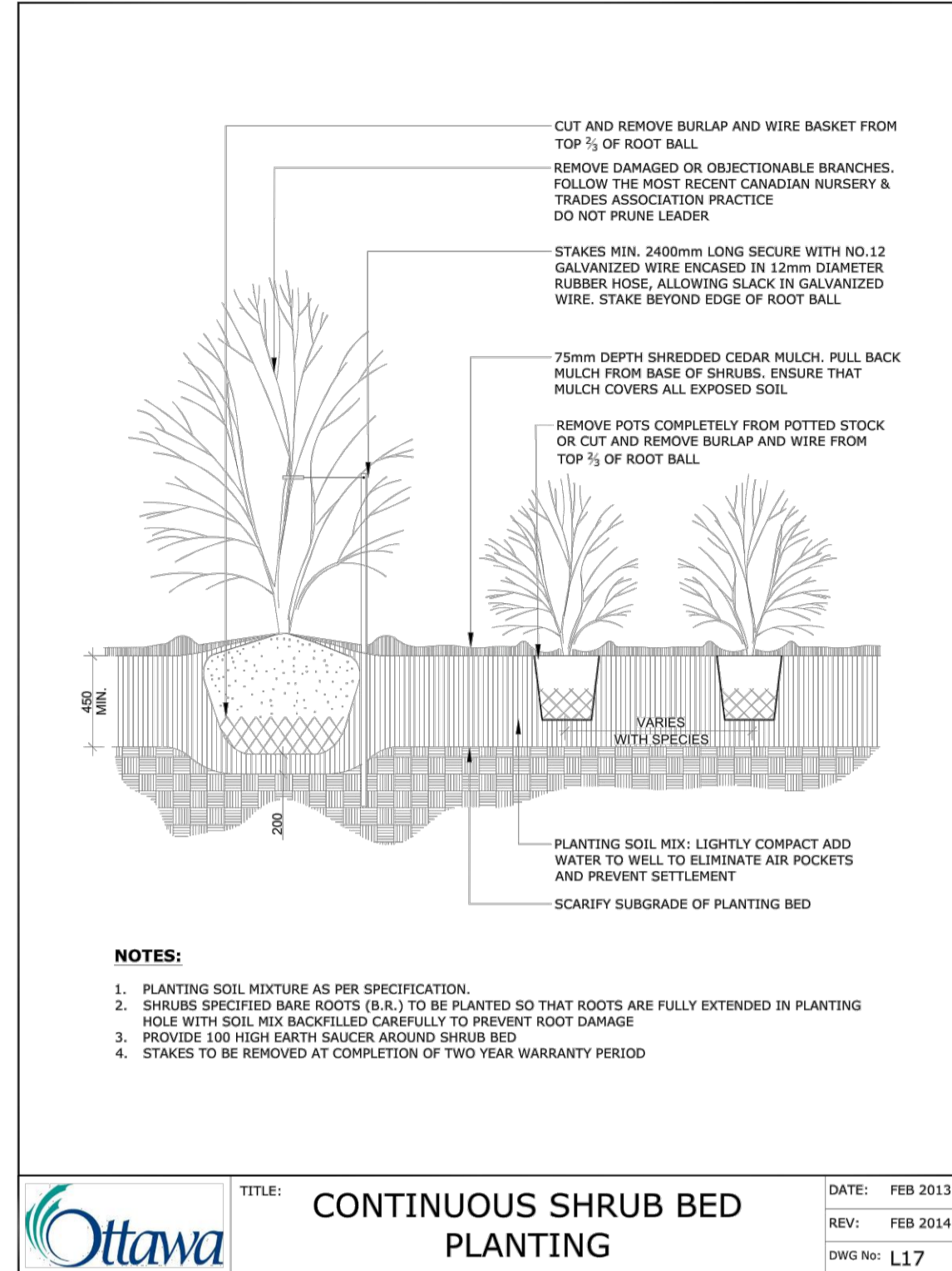
Client / Client



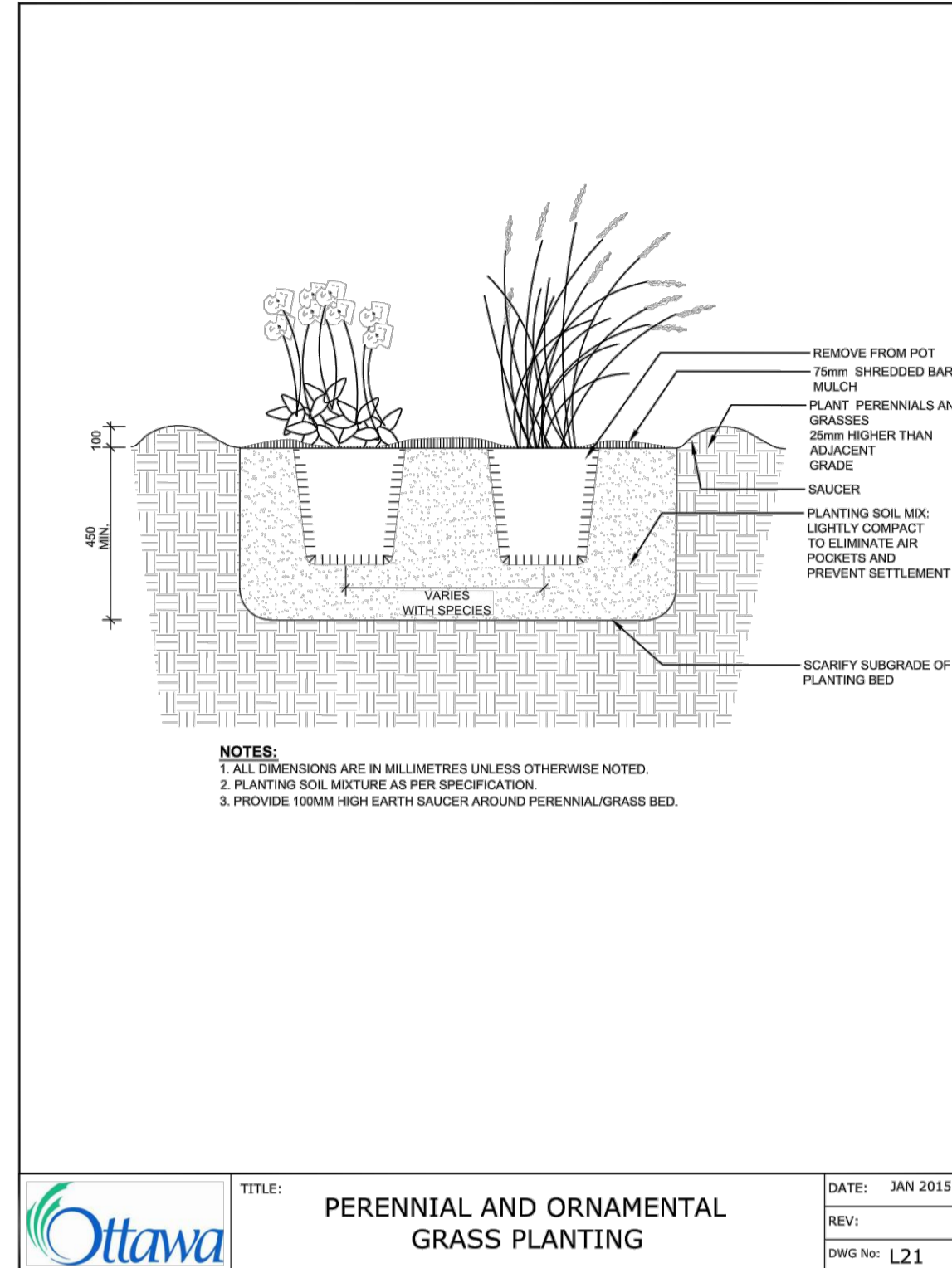
Legend / légende



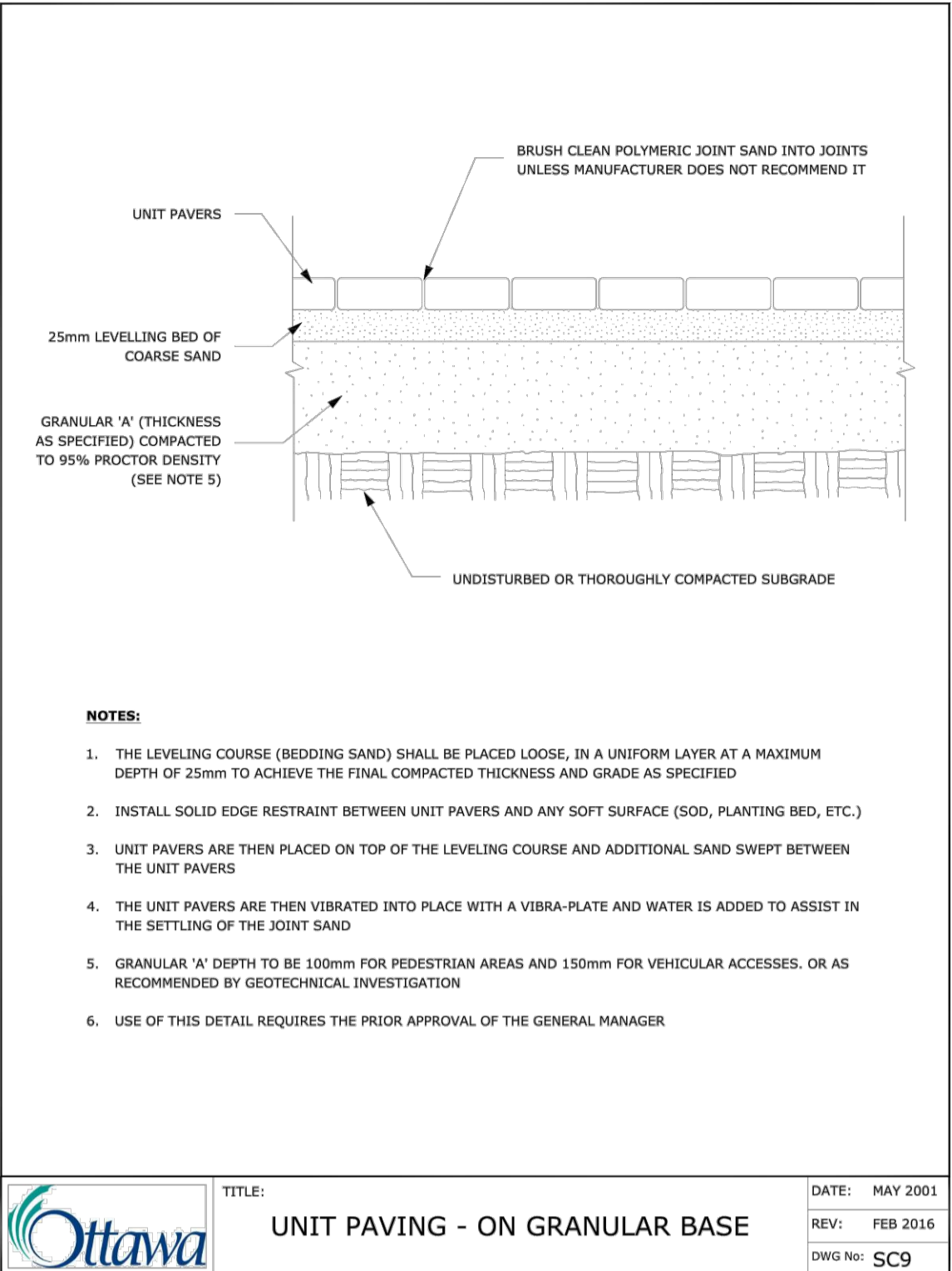
1 TREE PLANTING DETAIL
L3 n.t.s.
 TITLE: PLANTING PIT, WELL DRAINED SOILS (ROAD ALLOWANCE)
 DATE: MAY 2001
 REV: JAN 2017
 DWG No: L3



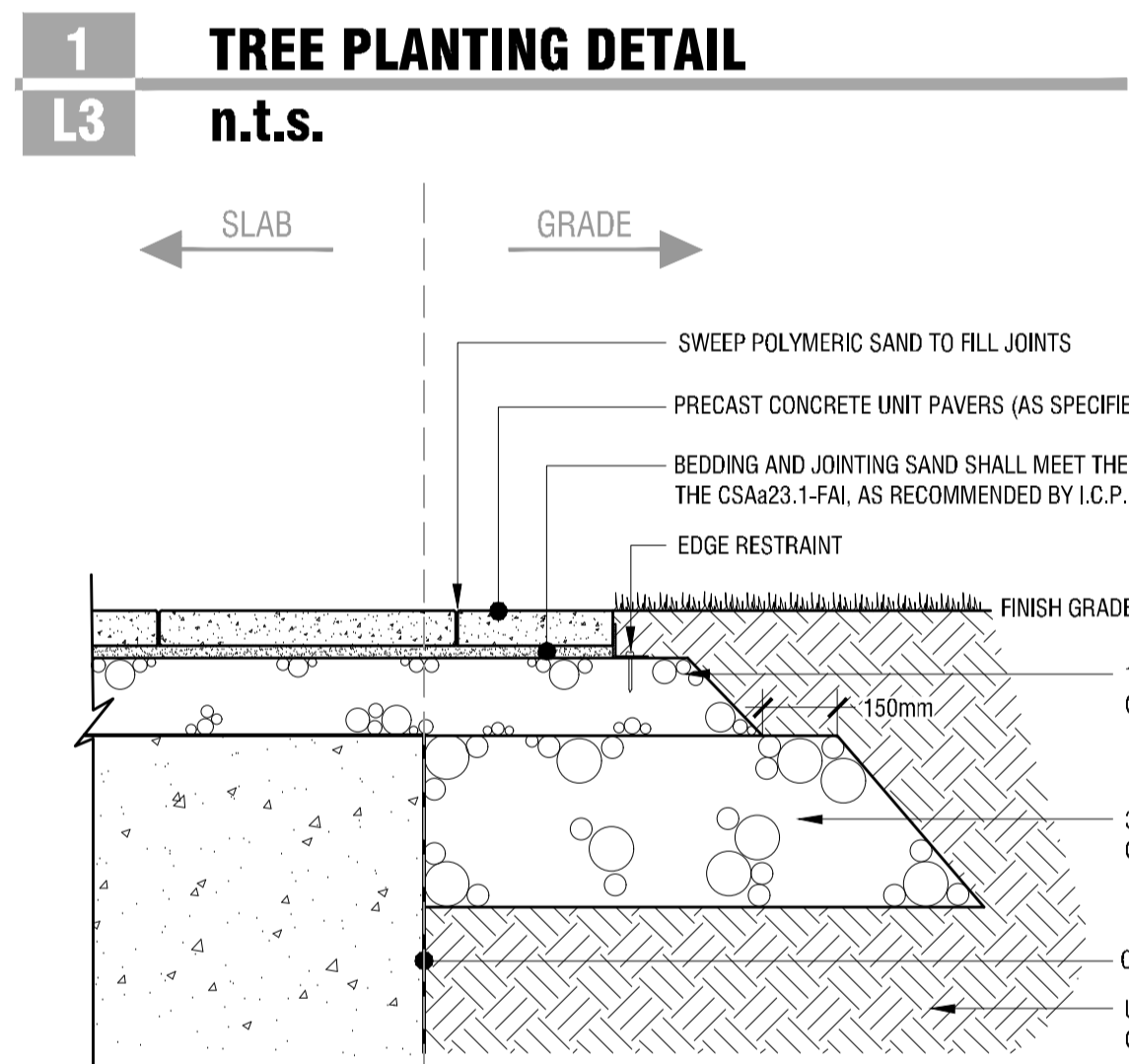
2 SHRUB PLANTING DETAIL
L3 n.t.s.
 TITLE: CONTINUOUS SHRUB BED PLANTING
 DATE: FEB 2013
 REV: FEB 2014
 DWG No: L17



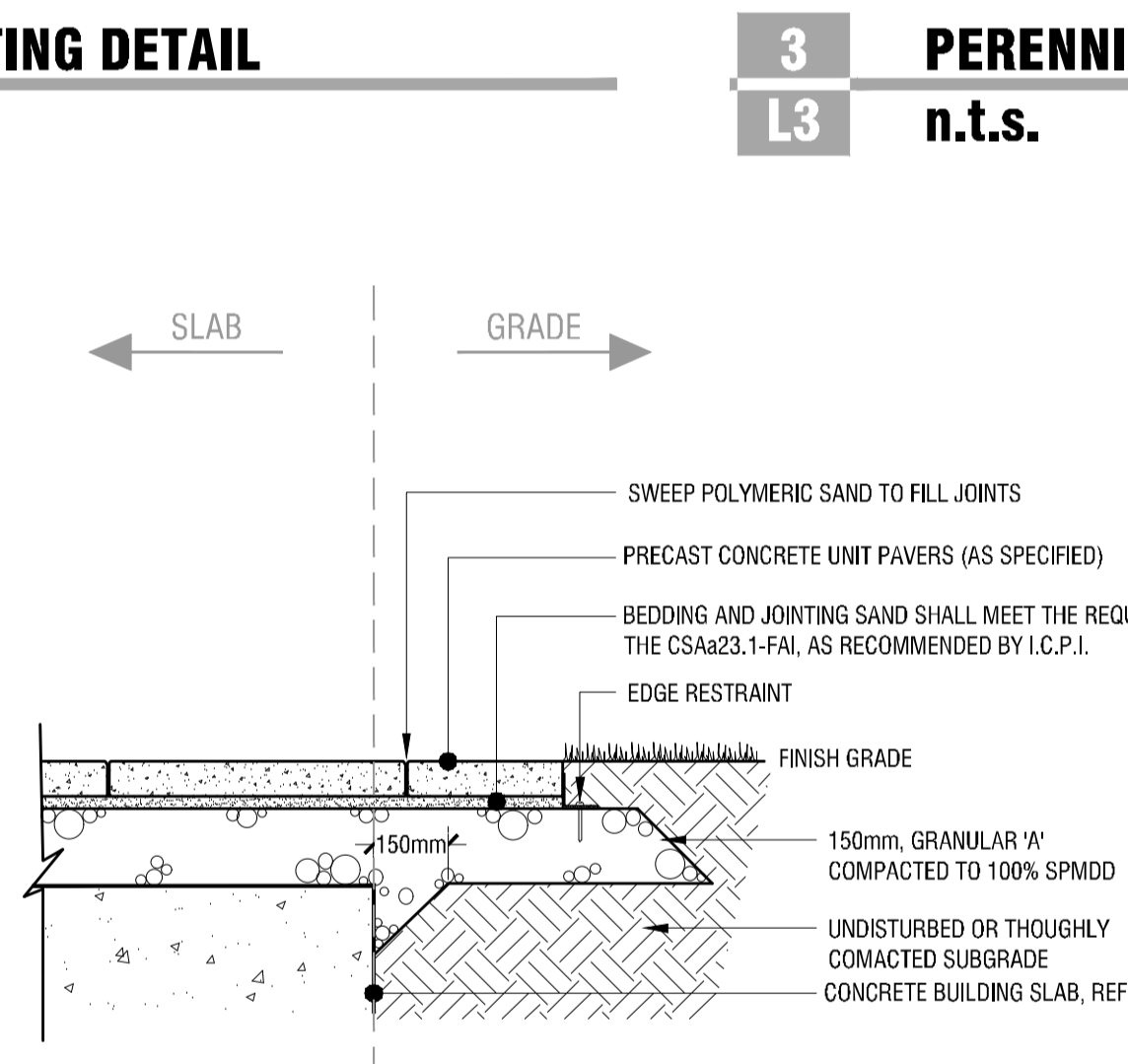
3 PERENNIAL PLANTING DETAIL
L3 n.t.s.
 TITLE: PERENNIAL AND ORNAMENTAL GRASS PLANTING
 DATE: JAN 2015
 REV: FEB 2014
 DWG No: L21



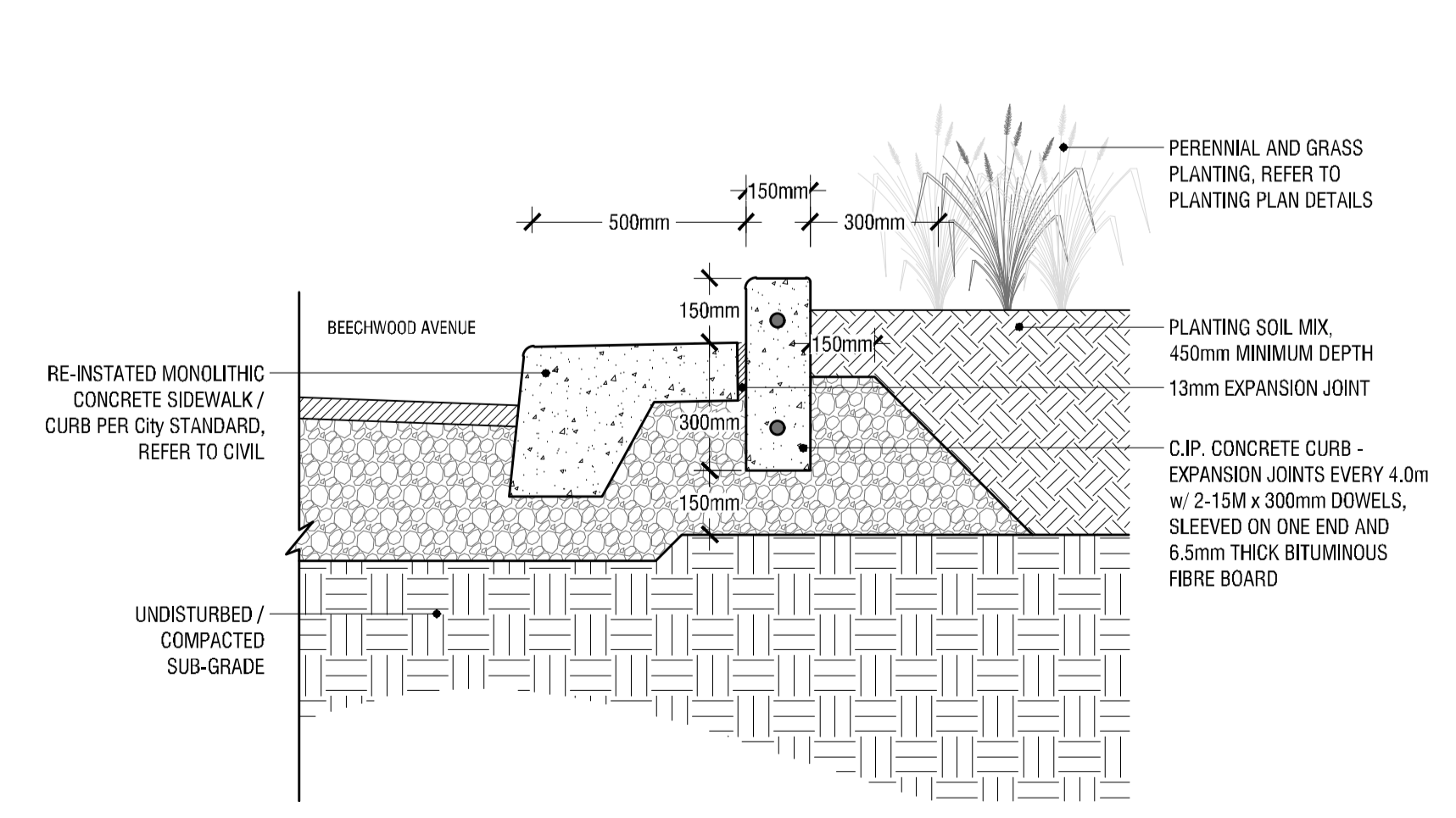
4 STANDARD CONCRETE UNIT PAVING
L3 n.t.s.
 TITLE: UNIT PAVING - ON GRANULAR BASE
 DATE: MAY 2001
 REV: FEB 2016
 DWG No: SC9



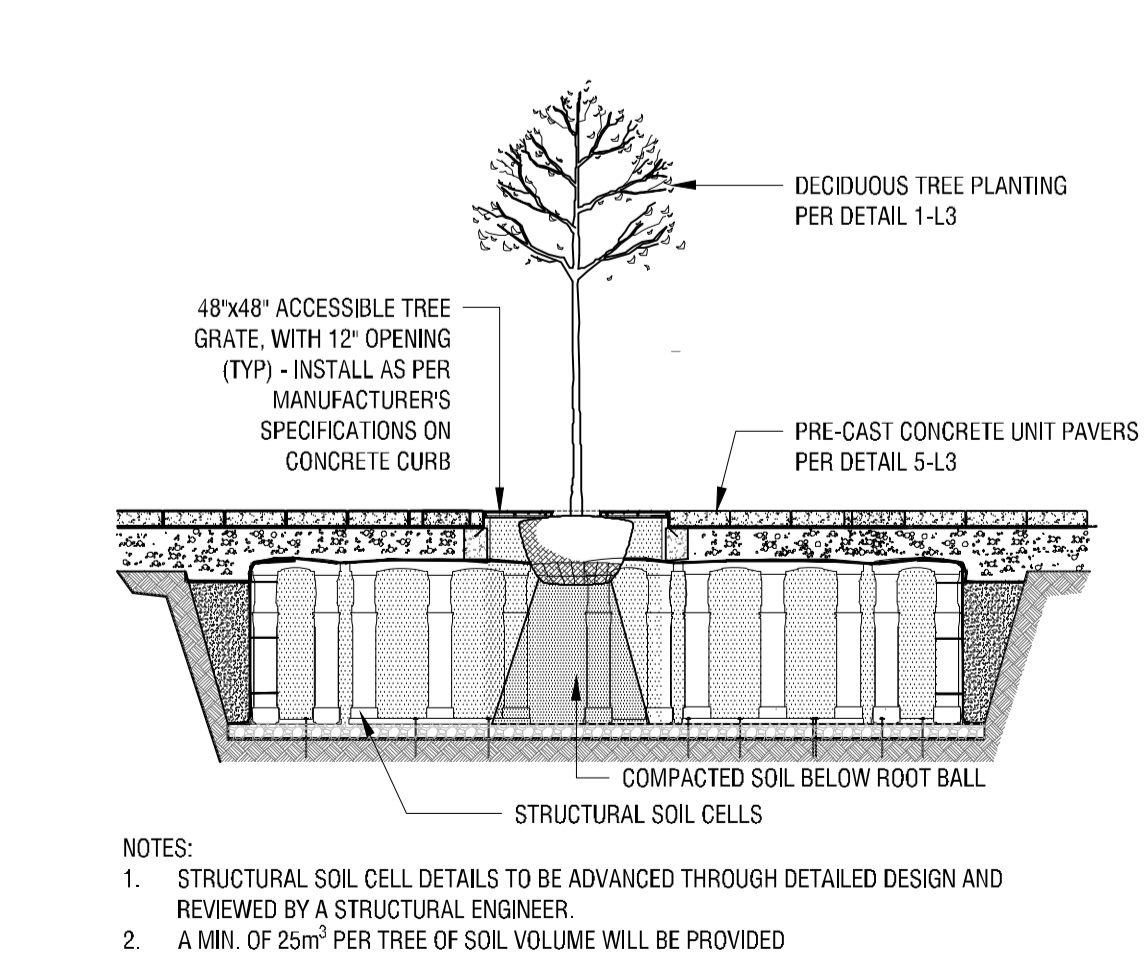
5 HEAVY-DUTY CONCRETE UNIT PAVING AT BUILDING PODIUM
L3 n.t.s.



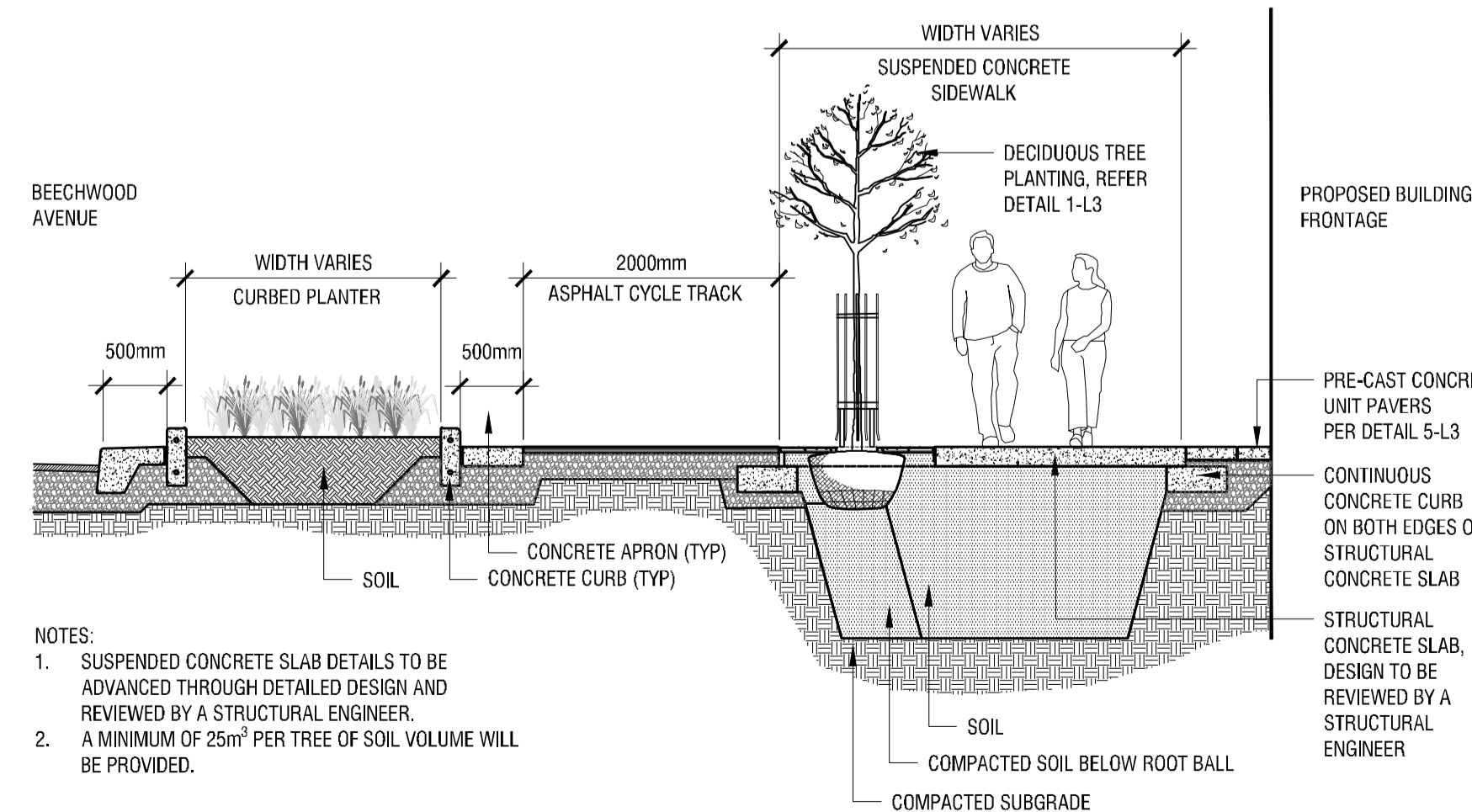
6 LIGHT-DUTY CONCRETE UNIT PAVING AT BUILDING PODIUM
L3 n.t.s.



7 RAISED CURB AT PLANTING BED (BEECHWOOD AVE)
L3 n.t.s.



8 TREE PLANTING IN SOIL CELLS
L3 n.t.s.



9 CROSS SECTION DETAIL - BEECHWOOD AVE FRONTAGE
L3 n.t.s.

rev/n	description / la description	yyyy/mm/dd
06	revised to address City comments - re-issued for SPA	2021/09/23
05	revised to address City comments - re-issued for SPA	2021/08/20
04	revised to address City comments - re-issued for SPA	2021/08/06
03	coordination with new Site Plan - issued for SPA	2021/05/06
02	issued for SPA	2020/12/18
01	issued for Coordination	2020/12/16
00	issued for Coordination	2020/11/25

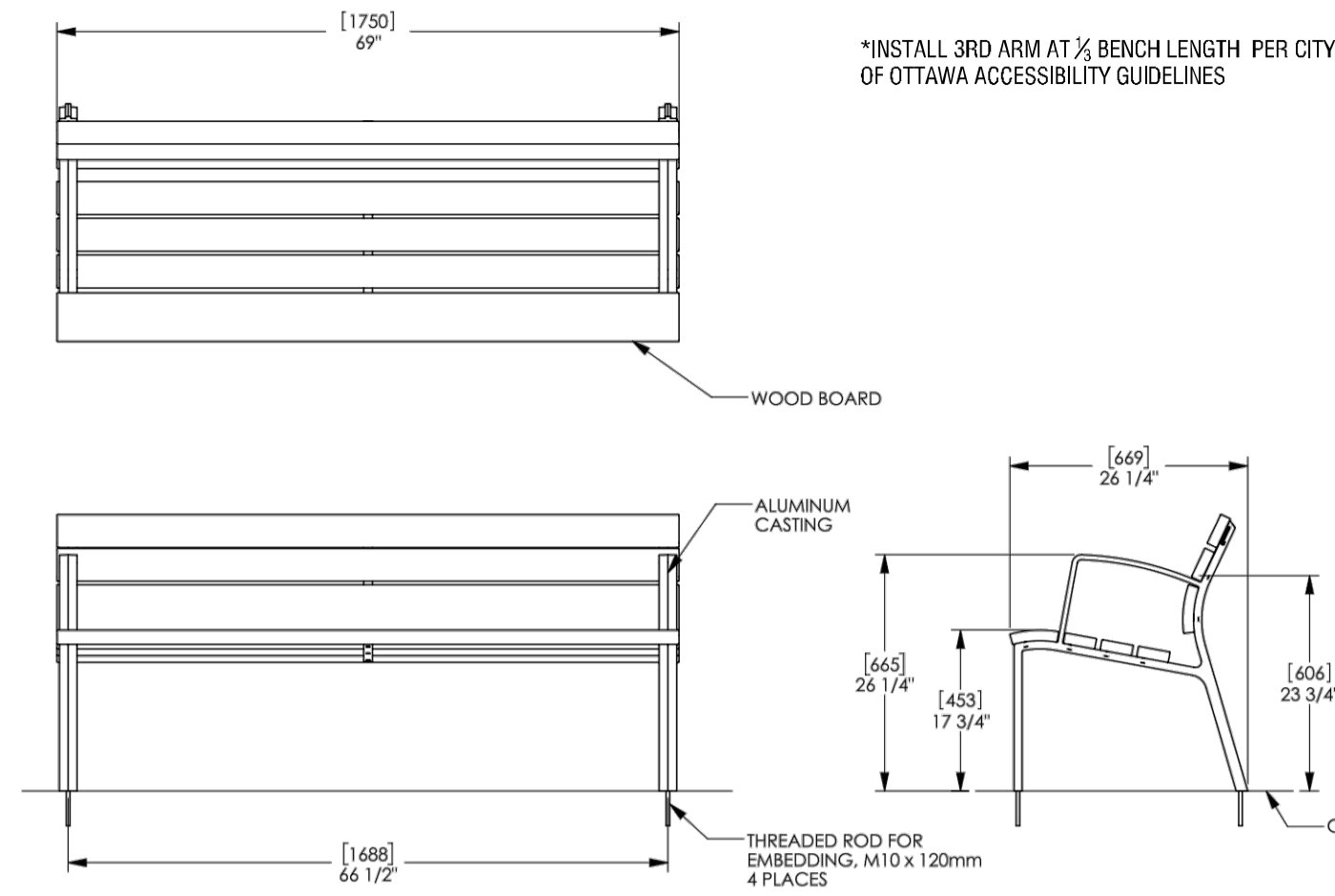
FOTENN Planning + Design
 396 Cooper Street, Suite 300
 Ottawa, ON, CANADA K2P 2H7
 613.730.5709
 fotenn.com

north / le nord stamp / le cachet

project / projet
78-88 BEECHWOOD AVE & 69-93 BARRETTE ST

drawing / dessin
CONSTRUCTION DETAILS

designed / conçu	drawn / dessiné	reviewed / examiné
PM / SM	PM / SP / MB	SM
date	project number / No. du projet	
OCT 2021		
drawing number / No. du dessin		



landscapeforms Drawing: NLB06-03
Dimensions are in inches (mm)
Spanish Industrial Design 151.245

CONFIDENTIAL DRAWING INFORMATION CONTAINED HEREIN IS THE PROPERTY OF LANDSCAPE FORMS. INTENDED USE IS LIMITED TO DESIGN PROFESSIONALS SPECIFYING LANDSCAPE FORMS PRODUCTS AND THEIR PROJECT CLIENTS. DRAWING IS NOT TO BE COPIED OR DISCLOSED TO OTHERS WITHOUT THE CONSENT OF LANDSCAPE FORMS. © 2019 LANDSCAPE FORMS. ALL RIGHTS RESERVED.

Instructions

Assembly Installation Operation

7/2007

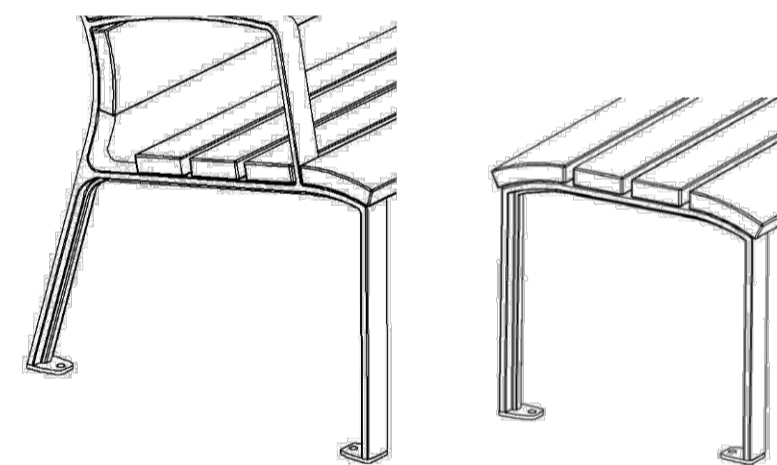
Neoliviano Bench

HANDLE WITH CARE! Do not place or slide parts on concrete or other hard or abrasive surfaces.

Recommended procedure for surface mounting:

Each surface mount bench is shipped with two mounting plates installed on every support casting. Each plate can accept one anchor up to 3/8" diameter. Although the anchoring procedure and hardware are the responsibility of the installer, we suggest the following:

1. Select corrosion resistant anchors appropriate for the surface. Your hardware store or builders supply may be able to recommend the proper hardware, tools, and safety equipment.
2. Check the screws that fasten the mounting plates to the bench. Align plates as shown below and tighten mount screws with a 6mm Allen wrench if necessary.
3. Place the bench in the desired position.
4. Mark hole locations.
5. Move the bench to allow access for drilling holes.
6. Install the anchors and bench according to the anchor manufacturer's instructions.



Correct tab alignment for backed and backless benches shown above.

Recommended procedure for embedded mounting:

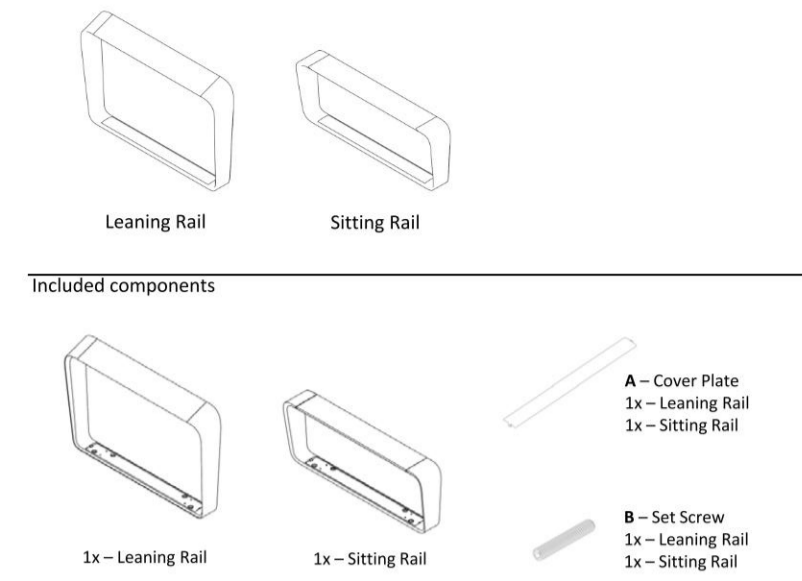
Each embedded bench is shipped with two M10 threaded rods per support casting. For mounting to existing concrete, we recommend using an adhesive anchoring system (Hilti HIT RE 500 or Powers Fasteners AC100

landscapeforms
Landscape Forms Inc. Office: 800.521.2546
4333 Cavendish Avenue Ph: 313.373.3452
Kalamazoo MI 49001 landscapeforms.com

Page 1 of 2

1 ACCESSIBLE BENCH

L4 n.t.s.



Tools Required

- Safety glasses
- 1/8" Hex key wrench
- 3/16" Hex key wrench
- Hammer drill with 3/8" diameter masonry bits
- Socket wrench or hammer for anchoring hardware
- Blanket or other padded material, for protecting powdercoat finish
- Stainless steel anchoring hardware, (4) required per unit (not included). Landscape Forms, Inc. recommends maximum 3/4" dia bolt, with a minimum embedded depth of 3" (see section view of anchoring hole for clearances).

ASSEMBLY WITH CARE! Pargard II® Polyester Powdercoat is a strong, long-lasting finish. To protect this finish during assembly, place unwrapped powdercoated parts on packaging foam or other non-marring surface. Do not place or slide powdercoated parts on concrete or other hard or textured surface - this will damage the finish causing rust to occur. Use touch up paint on any gouges in the finish caused by assembly tools.

landscapeforms

Installation:

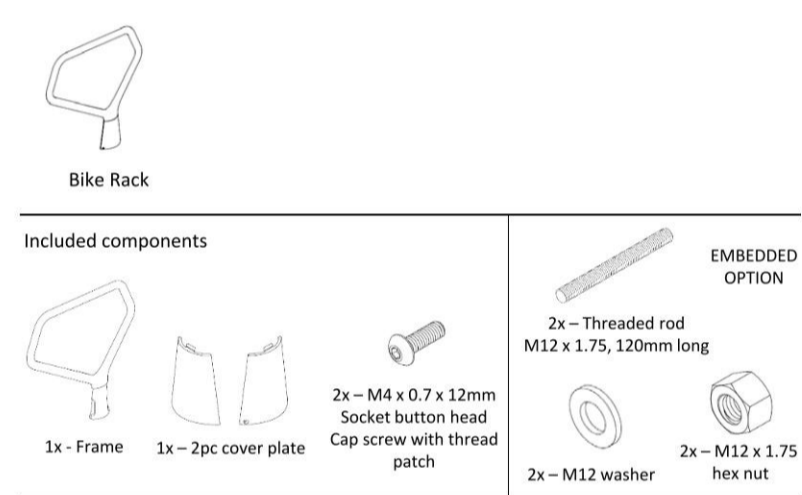
WARNING! Units must be surface mounted.

1. Place unit in position and mark the hole locations.
2. Set unit aside and drill holes according to the anchor manufacturer's recommendations. Clear holes of debris.
3. Install set screw (B) in one end of the unit. Allow for access to set screw once unit has been installed.
4. Move unit back in place and install anchor bolts according to anchor manufacturer's recommendations. Do not fully tighten at this time.
5. Using the 3/16" hex wrench, adjust the (4) leveling glides to level and plumb the unit (see Figures 1, 4).
6. Fully tighten the anchor hardware per the manufacturer's recommendations. Anchor hardware should not interfere with cover plate once installed.
7. Install cover plate (A) by inserting tab end into base casting at the opposite end of the set screw location (see Figure 2).
8. Using a 1/8" hex wrench, tighten set screw until cover plate is fully engaged (see Figures 3, 4).

Page 1 of 2

2 LEANING RAIL

L4 n.t.s.



Tools Required

- Unit ships assembled
- 2.5mm hex key
- 19mm wrenches for embedded option
- Hammer drill with masonry bits
- For embedded mount option: chemical anchoring adhesive (Hilti HIT RE 500 or equivalent)
- For surface mount option: stainless steel anchoring hardware, (2) required per unit (not included). Landscape Forms, Inc. recommends maximum 12mm dia bolt, with a minimum embedded depth of 80mm (see Fig. 4 for bolt clearances).

WARNING! Unit must be anchored.

HANDLE WITH CARE! The finish can be scuffed by contact with tools, concrete, or other abrasive surfaces. Protect the finish from damage during installation.

landscapeforms

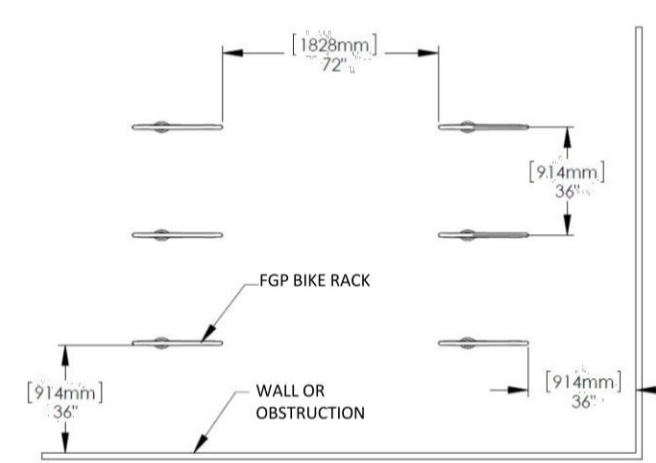


Fig. 1 - Recommended spacing, according to Association of Pedestrian and Bicycle Professionals (APBP), 2nd edition

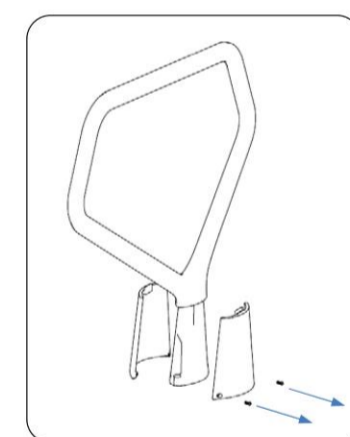


Fig. 2 - remove cover plates

landscapeforms

Page 1 of 2

3 BIKE RACK

L4 n.t.s.

FINISHES
GENERAL:
ALL THREADED ROD, WASHERS AND NUTS ARE TO BE STAINLESS STEEL
ALL STEEL BELOW GRADE MUST BE GALVANIZED

POST FINISHES ARE AS FOLLOWS:
TYPE A
STEEL POST TO RECEIVE GALVANIZED FINISH
CAST ALUMINUM CAP AND RING TO REMAIN UNFINISHED
TYPE B
STEEL POST TO RECEIVE POWDER COATED PAINT FINISH
CAST ALUMINUM CAP AND RING TO RECEIVE POWDER COATED PAINT FINISH

QUANTITIES OF EACH TYPE WILL BE SPECIFIED IN THE CONTRACT

N.T.S.

Ottawa	DATE:	MARCH 2019
	REV. DATE:	MARCH 2019
	DWG. No.:	SF9

4 O-RING BIKE RACK

L4 n.t.s.

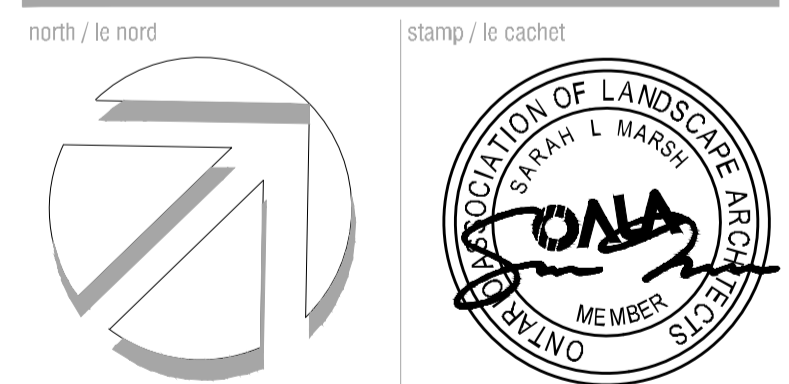
Client / Client



legend / légende

rev'n	description / la description	yyyy/mm/dd
07	revised to address City comments - re-issued for SPA	2021/10/29
06	revised to address City comments - re-issued for SPA	2021/09/23
05	revised to address City comments - re-issued for SPA	2021/08/20
04	revised to address City comments - re-issued for SPA	2021/08/06
03	coordination with new Site Plan - issued for SPA	2021/05/06
02	issued for SPA	2020/12/18
01	issued for Coordination	2020/12/16
00	issued for Coordination	2020/11/25

FOTENN Planning + Design
396 Cooper Street, Suite 300
Ottawa, ON, CANADA K2P 2H7
613.730.5709
fotenn.com



project / projet

**78-88 BEECHWOOD AVE &
69-93 BARRETTE ST**

drawing / dessin

CONSTRUCTION DETAILS

designed / conçu PM / SM	drawn / dessiné PM / SP / MB	reviewed / examiné SM
date OCT 2021	project number / No. du projet	

drawing number / No. du dessin

L4 of 4