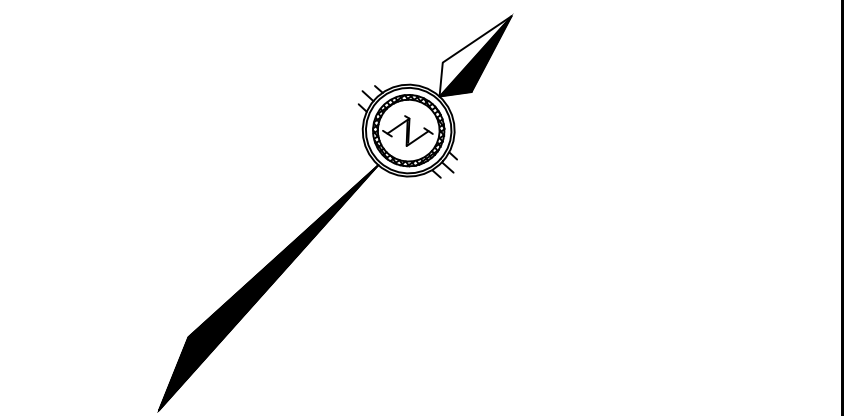
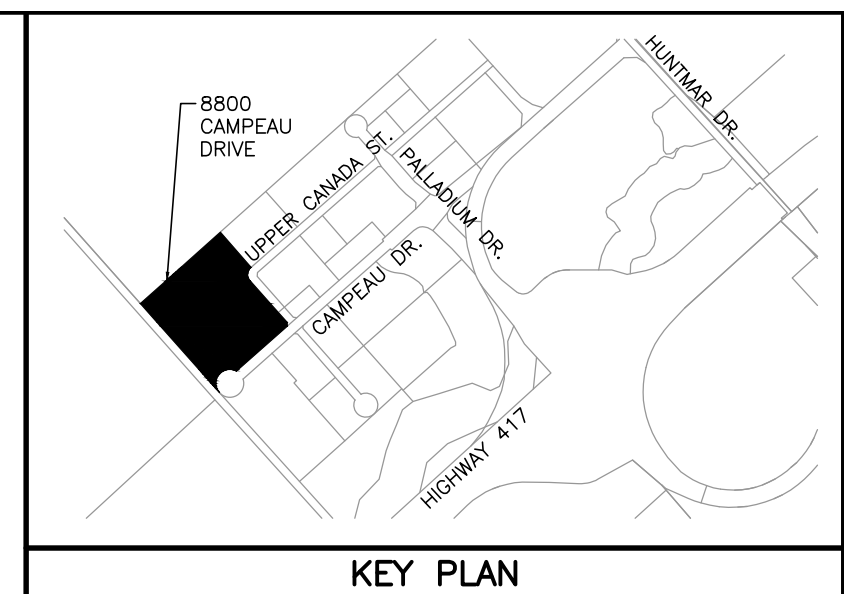


MATCHLINE
REFER TO DWG. 20027-S2



- LEGEND**
- PROPERTY BOUNDARY
 - CATCH BASIN
 - STORM SEWER & MANHOLE
 - SANITARY SEWER & MANHOLE
 - WATERMAIN
 - ◆ HYDRANT
 - VALVE & VALVE BOX
 - ⋈ SIAMESE CONNECTION
 - EXISTING CATCH BASIN
 - EXISTING STORM SEWER & MANHOLE
 - EXISTING SANITARY SEWER & MANHOLE
 - EXISTING WATERMAIN
 - ◆ EXISTING HYDRANT
 - EXISTING VALVE & VALVE BOX
 - 100m NO-BUILD SETBACK
 - ◆ BOREHOLE
 - ① CROSSING NUMBER
 - △, ▽ BUILDING ENTRANCE (REFER TO SITE PLAN)
 - ⊙ BOLLARD (REFER TO SITE PLAN)
 - ⊙ BH BLOCK HEATER POST (REFER TO SITE PLAN)
 - LIGHT STANDARD (REFER TO SITE PLAN)
 - JERSEY BARRIER (REFER TO SITE PLAN)

STORM MANHOLE TABLE

STRUCTURE	STRUCTURE SIZE	T/G ELEV	INVERT
200	2400mm ϕ	105.88	NW=103.83 SW=102.04 SE=101.98
201	1500mm ϕ	106.37	SW=102.67 NW=103.24 NE=102.64
202	1800mm ϕ	106.43	NW=102.96 NE=102.90
203	1500mm ϕ	106.35	NW=103.32 SE=103.29
204	1500mm ϕ	106.46	SE=103.76
205	1800mm ϕ	106.21	NW=102.42 SW=102.34 NE=102.19
206	1500mm ϕ	106.33	NW=102.96 SE=102.93
207	1500mm ϕ	106.46	SE=103.78
208	1200mm ϕ	107.15	NW=105.04 SE=104.98
300	1200mm ϕ	106.44	NW=104.94 SW=105.00
301	1200mm ϕ	106.47	SE=104.94 SW=105.00
302	1200mm ϕ	106.55	SE=104.76 E=104.70 NW=104.76 SW=104.76
303	1200mm ϕ	106.56	W=104.48 SE=104.42
304	1200mm ϕ	106.37	NW=104.15 SE=104.12
EX101	2400mm ϕ	105.88	SW=101.44 E=101.41 NW=101.86

SANITARY MANHOLE TABLE

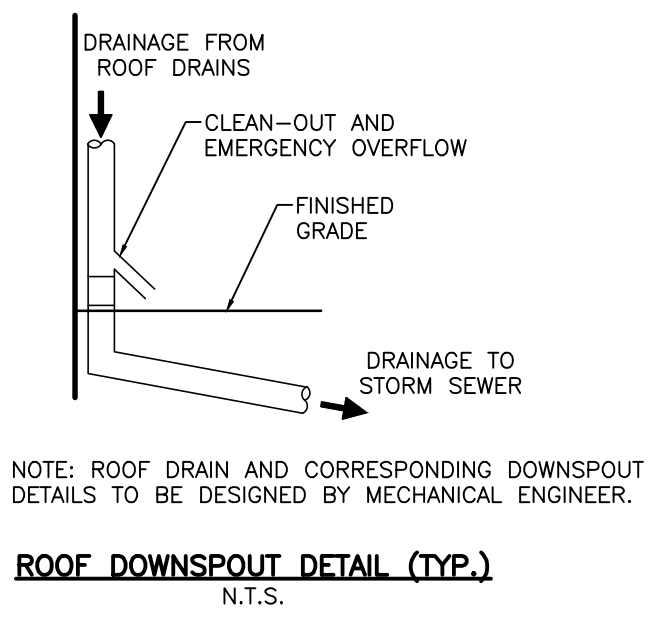
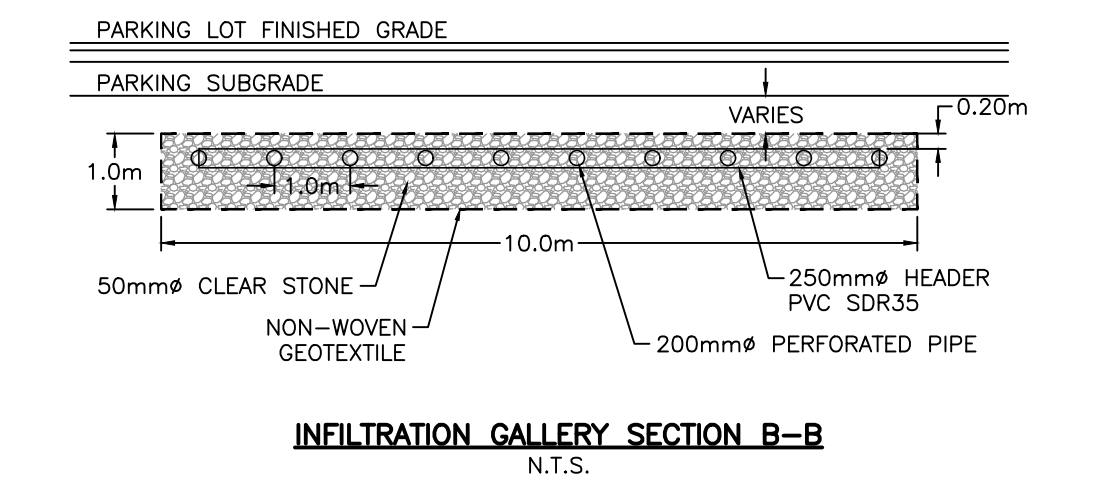
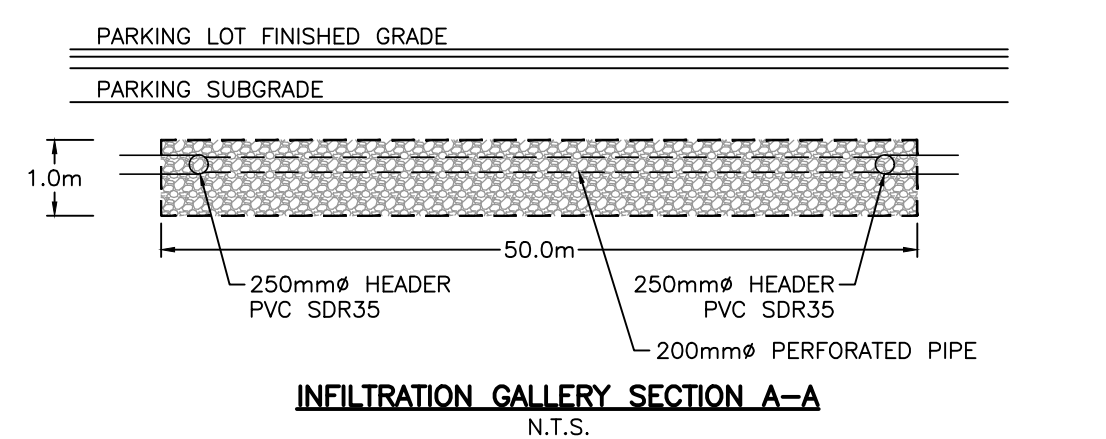
STRUCTURE	STRUCTURE SIZE	T/G ELEV	INVERT
100	1200mm ϕ	106.28	NW=104.47 SE=104.44
101	1200mm ϕ	105.93	SE=104.64 NW=104.67

CATCH BASIN TABLE

STRUCTURE	STRUCTURE SIZE	T/G ELEV	INVERT	GRATE
CB 1	600x600mm	106.42	NE=104.74	S19
CB 2	600x600mm	106.32	NE=104.64	S19
CB 3	600x600mm	106.22	NE=104.54	S19
CB 4	600x600mm	106.15	NE=104.47	S19
CB 5	600x600mm	106.42	NE=104.74	S19
CB 6	600x600mm	106.32	NE=104.64	S19
CB 7	600x600mm	106.22	NE=104.54	S19
CB 8	600x600mm	105.92	NE=104.24	S19
CB 9	600x600mm	107.10	NE=105.42	S19
CB 10	600x600mm	106.64	NE=104.96	S19
CB 11	600x600mm	106.06	SE=104.38	S19
CB 12	600x600mm	107.10	SW=105.42	S19
CB 13	600x600mm	106.64	SW=104.96	S19
CB 14	600x600mm	106.06	SE=104.38	S19
CB 16	600x600mm	106.61	SW=105.41	S19
DICB 15	600x600mm	106.42	SW=104.67 NE=105.15	403.010
DICB 17	600x600mm	106.50	NE=104.75	403.010

SEWER CROSSING TABLE

CROSSING No.	INVERTS (m)	SEPARATION (m)
1	WATER INV.=103.80	0.25
	STM OBV.=103.55	
2	SAN INV.=104.49	0.94
	STM OBV.=103.55	
3	STM INV.=104.63	0.72
	STM OBV.=103.91	
4	SAN INV.=104.39	1.54
	EX STM OBV.=102.85	
5	SAN INV.=104.40	0.53
	EX WATER OBV.=103.87	
6	EX WATER INV.=103.28	0.38
	STM OBV.=102.90	

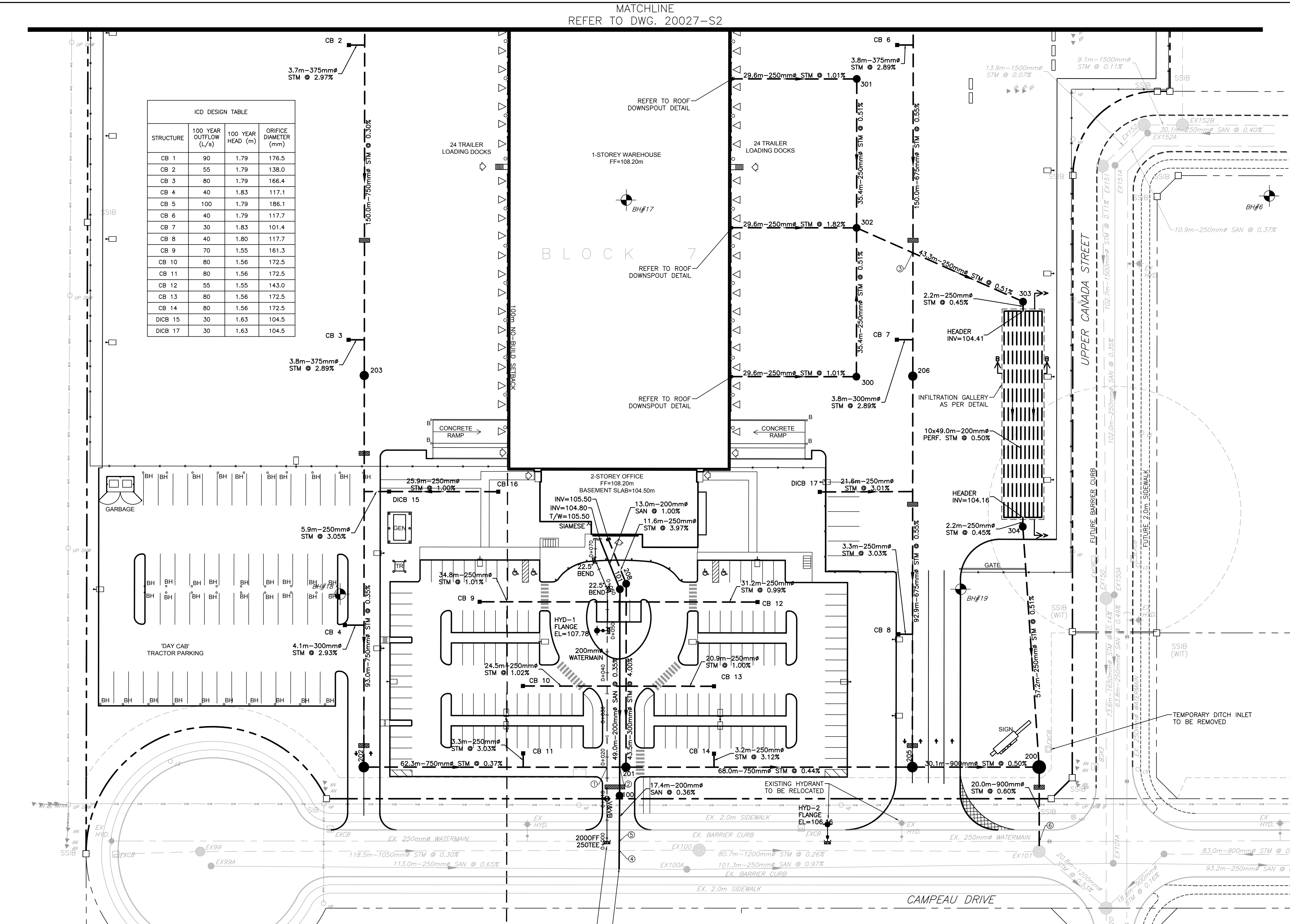


NOTE: ROOF DRAIN AND CORRESPONDING DOWNSPOUT DETAILS TO BE DESIGNED BY MECHANICAL ENGINEER.

NOT FOR CONSTRUCTION

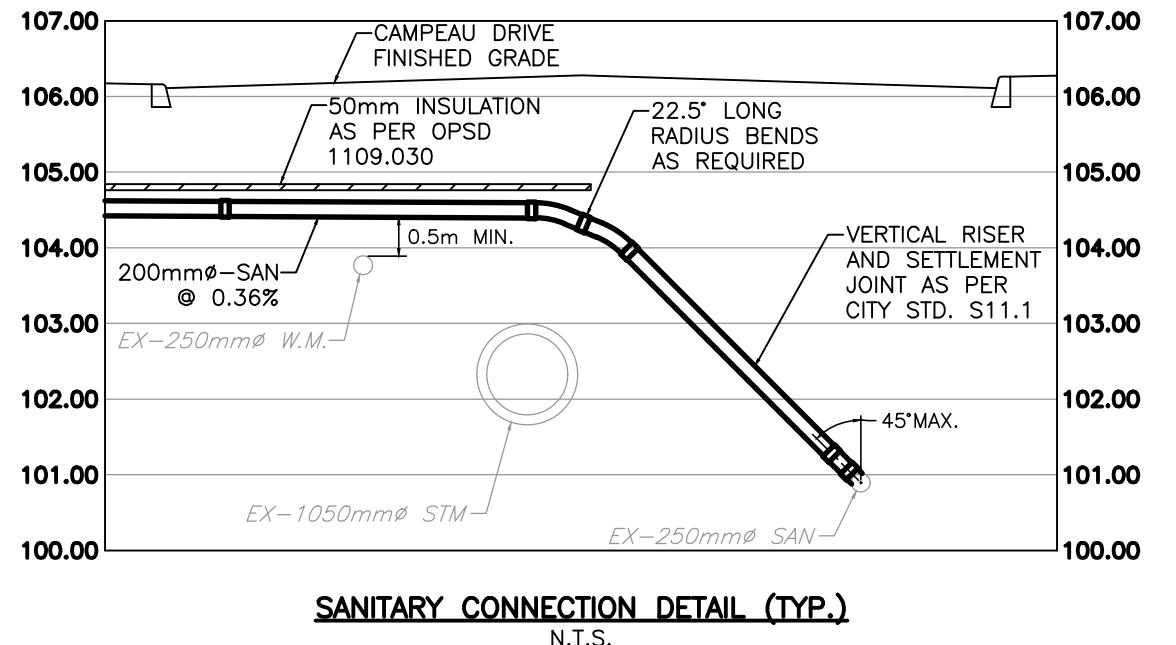
ICD DESIGN TABLE

STRUCTURE	100 YEAR OUTFLOW (L/s)	100 YEAR HEAD (m)	ORIFICE DIAMETER (mm)
CB 1	90	1.79	176.5
CB 2	55	1.79	138.0
CB 3	80	1.79	166.4
CB 4	40	1.83	117.1
CB 5	100	1.79	186.1
CB 6	40	1.79	117.7
CB 7	30	1.83	101.4
CB 8	40	1.80	117.7
CB 9	70	1.55	161.3
CB 10	80	1.56	172.5
CB 11	80	1.56	172.5
CB 12	55	1.55	143.0
CB 13	80	1.56	172.5
CB 14	80	1.56	172.5
DICB 15	30	1.63	104.5
DICB 17	30	1.63	104.5



WATERMAIN GRADE TABLE (200mm ϕ)

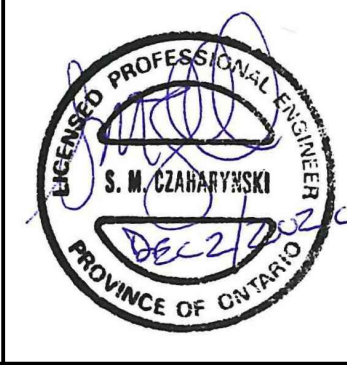
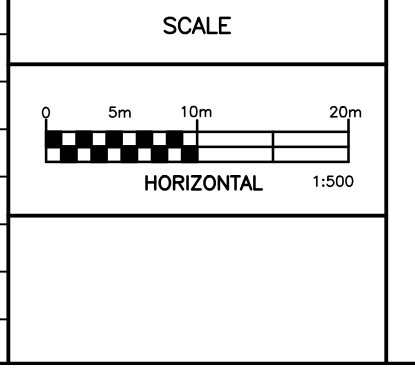
STATION	FINISHED GRADE (m)	TOP OF WATER (m)	DESCRIPTION
1+000	106.20	103.89	200mm OFF 250mm TEE
1+010.1	106.27	103.87	VALVE & VALVE BOX
1+020	106.35	103.95	TOP OF WATERMAIN
1+030	106.62	104.22	TOP OF WATERMAIN
1+040	106.98	104.58	TOP OF WATERMAIN
1+050	107.75	105.35	152mm OFF 250mm HYDRANT TEE
1+059.9	107.78	105.38	22.5" BEND
1+067.2	107.79	105.39	22.5" BEND
1+071.9	108.20	105.50	CAP



NOTES

THE POSITION OF ALL POLE LINES, CONDUITS, WATERMANS, SEWERS AND OTHER UNDERGROUND AND OVERGROUND UTILITIES AND STRUCTURES IS NOT NECESSARILY SHOWN ON THE CONTRACT DRAWINGS, AND WHERE SHOWN, THE ACCURACY OF THE POSITION OF SUCH UTILITIES AND STRUCTURES IS NOT GUARANTEED. BEFORE STARTING WORK, DETERMINE THE EXACT LOCATION OF ALL SUCH UTILITIES AND STRUCTURES AND ASSUME ALL LIABILITY FOR DAMAGE TO THEM.

NO.	REVISION DESCRIPTION	DATE	BY
1	ISSUED FOR SITE PLAN APPLICATION	02/12/20	SMC



Robinson
Land Development

350 Palladium Drive
Ottawa, ON K2V 1A8
(613) 592-6060 rcii.com

DESIGN

BLM
CHECKED SMC
DRAWN BLM
CHECKED SMC
APPROVED SMC

MARITIME-ONTARIO
FREIGHT LINES LIMITED

KANATA WEST BUSINESS PARK
8800 CAMPEAU DRIVE, OTTAWA, ON

SERVICING PLAN

PROJECT No. 20027

SURVEY STANTEC

DATED DECEMBER 2020

DWG. No. 20027-S1