

Client / Client



key plan / plan repère

**PRELIMINARY**  
 NOT FOR CONSTRUCTION

- Legend / légende
- SCOPE OF APPLICATION
  - LARGE DECIDUOUS TREE (REFER TO PLANTING SCHEDULE FOR SPECIES AND QUANTITIES)
  - ORNAMENTAL GRASS / PERENNIAL PLANTING
  - PERENNIAL MASS PLANTING
  - MAINTENANCE BUFFER EDGE AT BUILDING - REFER TO DETAIL 1-L2
  - SOD
  - EXISTING GRADES - REFER TO CIVIL
  - PROPOSED GRADES - REFER TO CIVIL

09	re-issued for SPA	2022/08/05
08	issued for tender	2022/02/07
07	issued for internal coordination	2022/02/04
06	issued for internal coordination	2022/02/01
05	re-issued for permit	2021/10/05
04	issued for permit	2021/07/16
03	re-issued for internal coordination	2021/05/13
02	issued for SPA	2020/12/14
01	issued for internal coordination	2020/12/10
00	issued for Client review	2020/11/30
rev/n	description / la description	yyyy/mm/dd

**FOTENN Planning + Design**  
 396 Cooper Street, Suite 300  
 Ottawa, ON, CANADA K2P 2H7  
 613.730.5709  
 fotenn.com

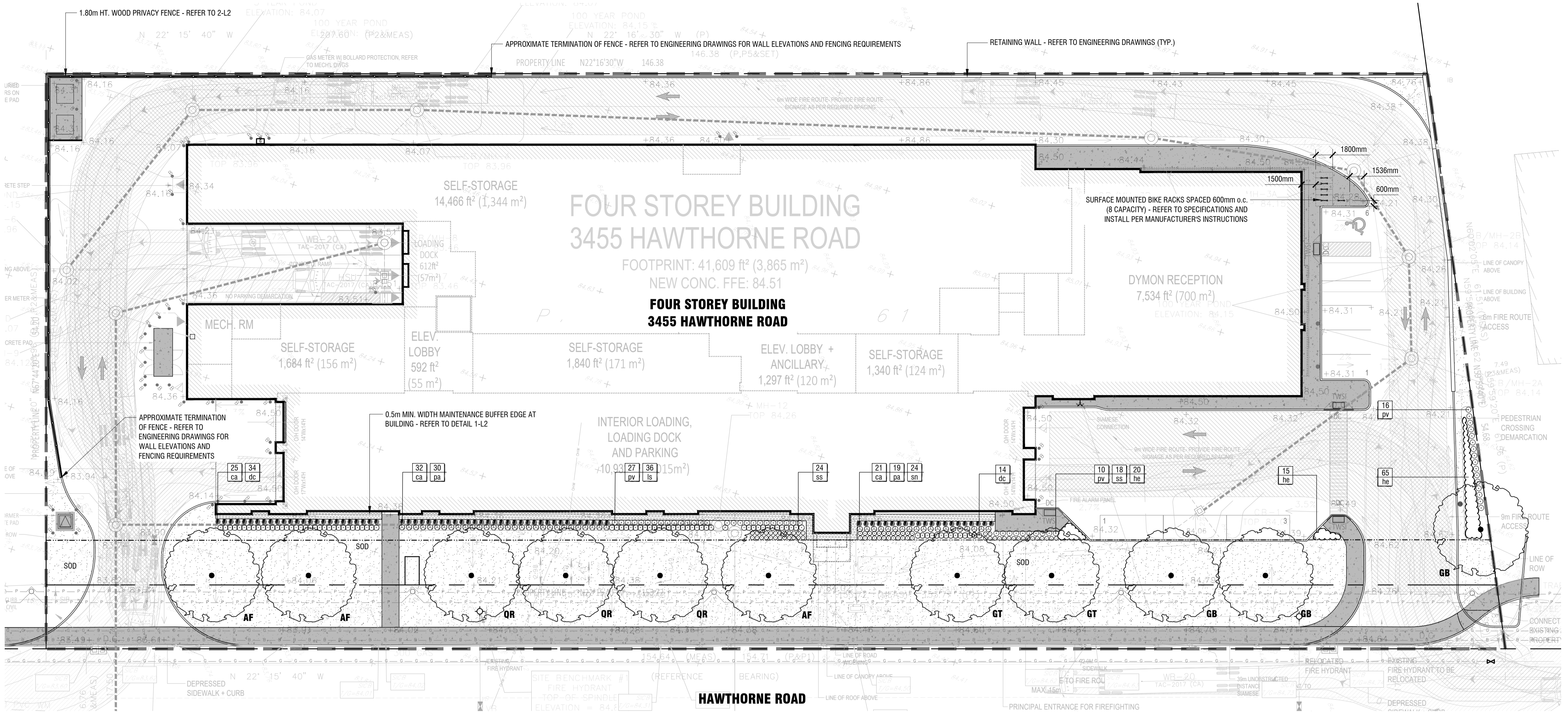
north / le nord stamp / le cachet

project / projet  
**3455 HAWTHORNE ROAD**  
 drawing / dessin

**LANDSCAPE PLAN**

designed / conçu <b>OM / KP</b>	drawn / dessiné <b>OM</b>	reviewed / examiné <b>KP</b>
date <b>NOV. 2020</b>	drawing number / No. du dessin <b>D07-12-20-0191</b>	

**L1 of 3**



**1 LANDSCAPE PLAN**  
**L1 1:250**

**NOTES:**  
 DO NOT SCALE DRAWINGS;  
 NOTES ARE APPLICABLE TO ALL DRAWINGS IN THE SET;  
 Fotenn Consultants Inc. IS NOT RESPONSIBLE FOR ACCURACY OF BASE INFORMATION;  
 REFER TO CIVIL ENGINEERING DRAWINGS FOR GRADING & SITE SERVICING INFORMATION;  
 REFER TO ENGINEERING DRAWINGS FOR PROPOSED CAST IN PLACE CONCRETE RETAINING WALLS;  
 THE CONTRACTOR IS RESPONSIBLE FOR CONFIRMING SITE CONDITIONS AND REPORTING ANY DISCREPANCIES TO THE LANDSCAPE ARCHITECT;  
 THE CONTRACTOR IS RESPONSIBLE FOR CONFIRMING EXACT LOCATIONS OF ALL UNDERGROUND SERVICES AND OBTAINING CLEARANCE FROM ALL APPLICABLE UTILITIES. PROPOSED WORKS FOUND TO BE IN CONFLICT WITH UNDERGROUND SERVICES MAY BE ADJUSTED AT THE DIRECTION OF THE LANDSCAPE ARCHITECT;  
 LANDSCAPE ELEMENTS SHOWN ARE SUBJECT TO THE FINAL LOCATION OF UNDERGROUND SERVICES AND UTILITIES;  
 DO NOT INSTALL TREES ON PROPERTY / LOT LINES OR WITHIN DRAINAGE EASEMENTS;  
 PERFORM WORK IN ACCORDANCE WITH DETAILS AND SPECIFICATIONS;  
 ALL PLANT MATERIAL SHALL BE No. 1 NURSERY STOCK AND SHALL MEET OR EXCEED THE SPECIFICATION OF THE Canadian Standards for Nursery Stock, AS PUBLISHED BY THE Canadian Nursery Landscape Association;  
 SPECIES SUBSTITUTIONS ARE NOT PERMITTED WITHOUT PRIOR WRITTEN APPROVAL OF THE LANDSCAPE ARCHITECT;  
 ALL UN-PAVED SURFACES TO RECEIVE 150mm DEPTH TOPSOIL & SOD.  
**CITY OF OTTAWA STANDARDS FOR TREE PLANTING:**  
 MAINTAIN A MINIMUM DISTANCE OF 3.0m FROM ALL HYDRO TRANSFORMERS;  
 MAINTAIN A MINIMUM DISTANCE OF 2.5m FROM FIRE HYDRANTS AND NO PLANTING IN FRONT OF HYDRANTS;  
 MAINTAIN A MINIMUM DISTANCE OF 1.0m FROM ALL UNDERGROUND SERVICES;  
 MAINTAIN A MINIMUM DISTANCE OF 1.0m FROM ALL BELL AND CABLE BOXES;  
**IMPORTANT NOTICE FOR CONTRACTOR:**  
 THE CITY OF OTTAWA REQUIRES A Certificate of Completion (F1) Landscape Works TO BE SUBMITTED AND SEALED BY THE LANDSCAPE ARCHITECT. CONTRACTORS ARE RESPONSIBLE FOR FAMILIARIZING THEMSELVES WITH THE REQUIREMENTS OF THIS PROCESS AND PROVIDING SUFFICIENT NOTICE TO THE LANDSCAPE ARCHITECT TO CONDUCT SITE REVIEWS DURING INSTALLATION OF TREES. THE 1 YEAR WARRANTY PERIOD SHALL NOT COMMENCE UNTIL THE LANDSCAPE ARCHITECT HAS SUBMITTED THE F1 Certificate.  
 PRIOR TO INSTALLATION OF TREES, THE DEVELOPER WILL CONTACT THE PLANNING AND GROWTH MANAGEMENT AND FORESTRY SERVICES TO REVIEW THE SPECIES AND LOCATION OF TREES.

**PLANTING SCHEDULE**

KEY	QTY.	BOTANICAL NAME	COMMON NAME	SIZE / CONDITION / SPACING
<b>DECIDUOUS TREES</b>				
AF	3	Acer x freemanii	Freeman's Maple	70mm cal. / W.B.
GB	3	Ginkgo biloba	Maidenhair Tree	70mm cal. / W.B.
GT	2	Gleditsia triacanthos var. inermis 'shademaster'	Shademaster Honeylocust	70mm cal. / W.B.
QR	3	Quercus rubra	Red Oak	70mm cal. / W.B.
<b>PERENNIALS/GRASSES/FERNS</b>				
ca	78	Calamagrostis x acutiflora 'Karl Foerster'	Feather Reed Grass	#3 pot / 70cm o.c.
dc	48	Deschampsia cespitosa 'Goldtau'	Tufted Hair Grass	#2 pot / 50cm o.c.
he	100	Hemerocallis 'Purple D'Or'	Daylily	#2 pot / 35cm o.c.
is	36	Liatis spicata 'Floristan White' (Floristan Weiss)	Floristan White Blazing Star	#2 pot / 50cm o.c.
pv	53	Panicum virgatum 'Prairie Fire'	Prairie Fire Switchgrass	#2 pot / 50cm o.c.
pa	49	Perovskia x 'Little Spire'	Russian Sage	#3 pot / 75cm o.c.
sn	24	Salvia nemorosa 'Snow Hill'	Snow Hill Sage	#2 pot / 50cm o.c.
ss	42	Salvia x sylvestris 'May Night'	May Night Sage	#2 pot / 50cm o.c.

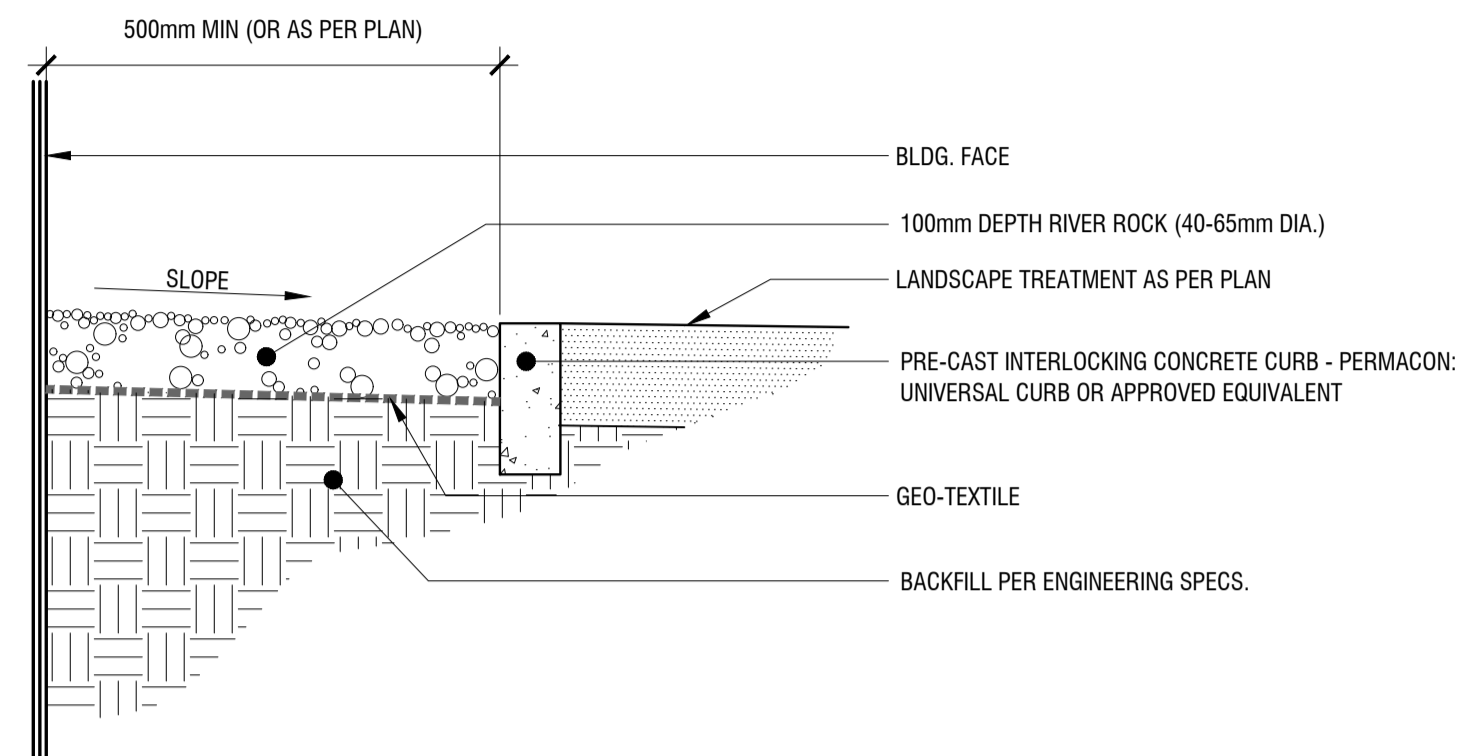
**APPROVED**  
 By Lily Xu at 1:54 pm, Sep 09, 2022

**LILY XU, MCIP, RPP**  
 MANAGER, DEVELOPMENT REVIEW SOUTH  
 PLANNING, INFRASTRUCTURE & ECONOMIC  
 DEVELOPMENT DEPARTMENT, CITY OF OTTAWA





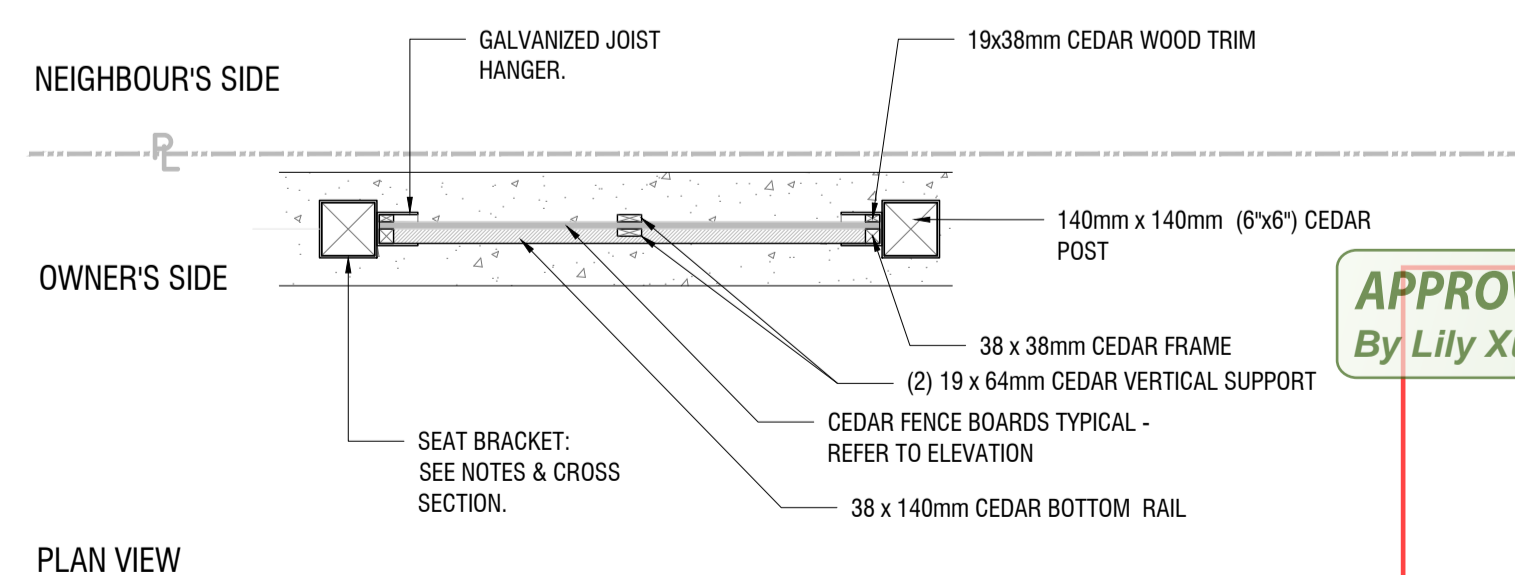
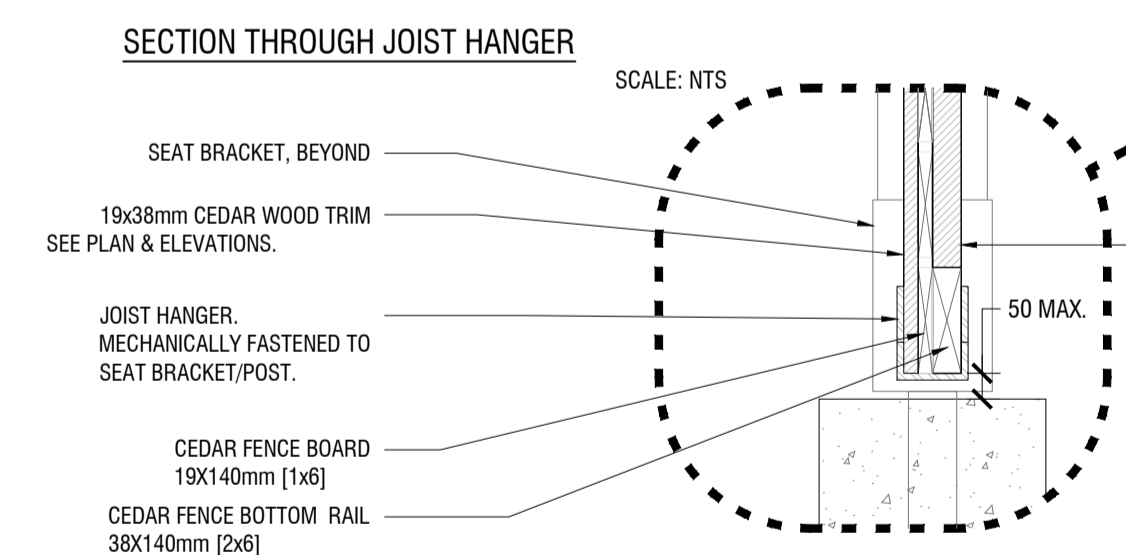
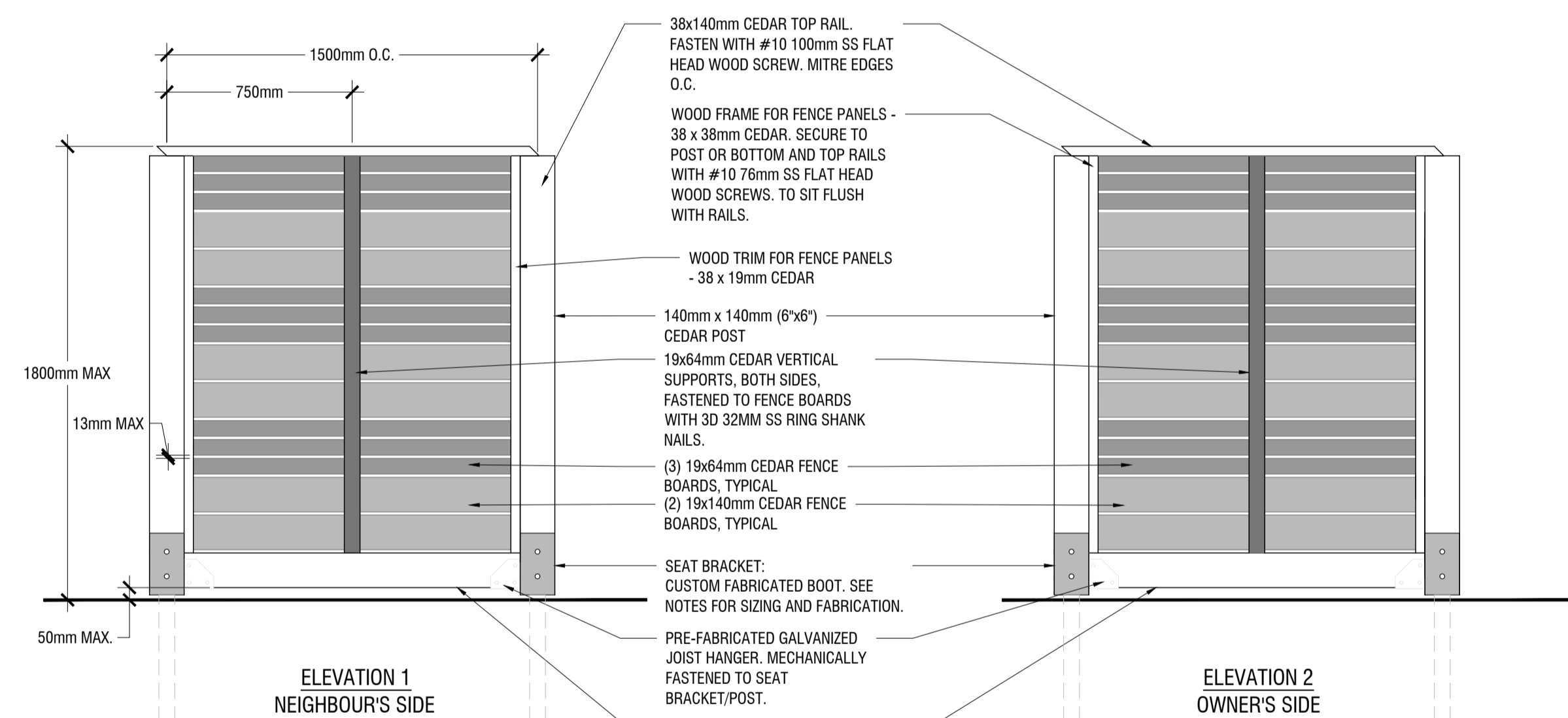
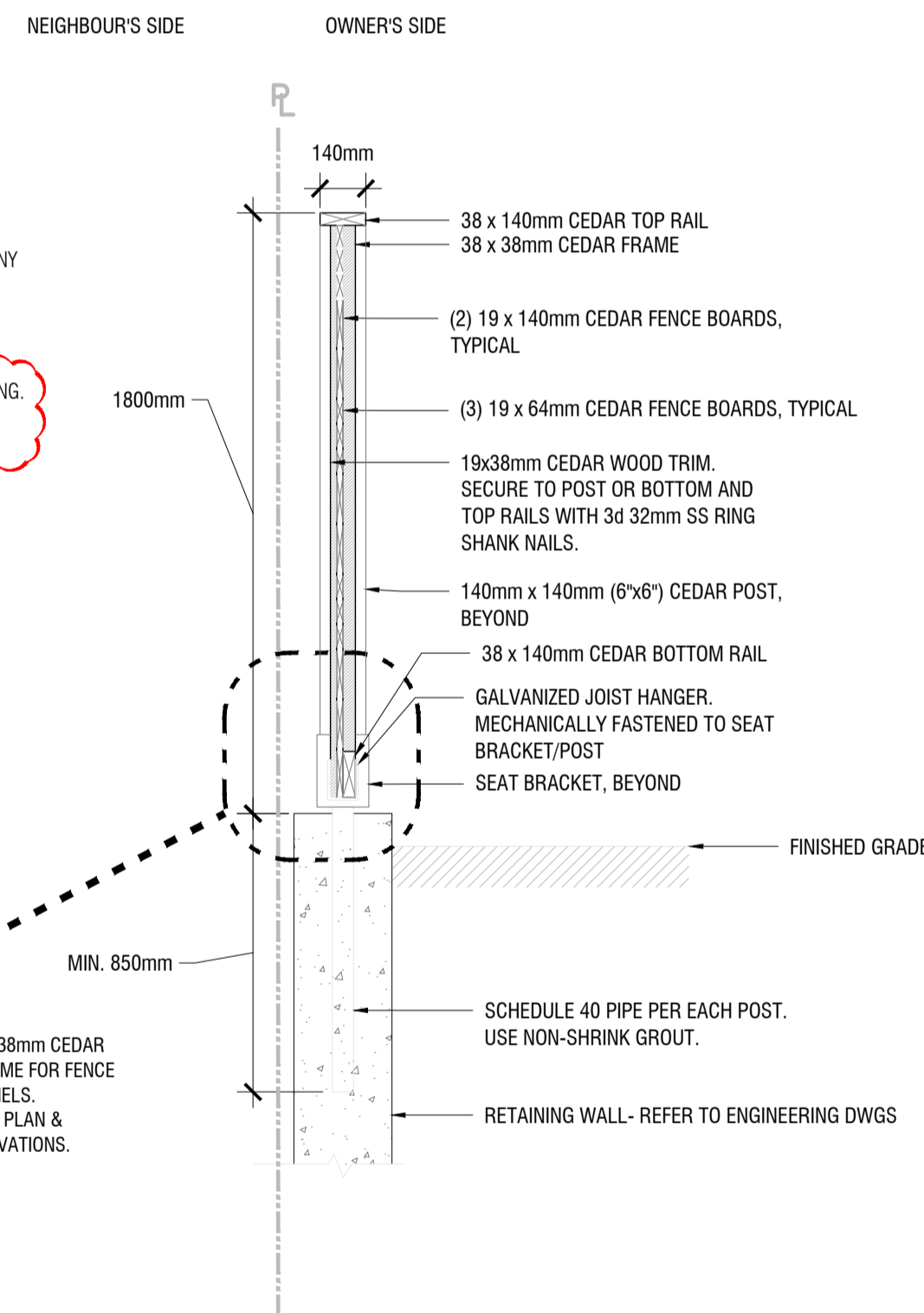
**PRELIMINARY**  
 NOT FOR CONSTRUCTION



**1 MAINTENANCE BUFFER AT BUILDING EDGE**  
**L2 1:10**

NOTES TO CONTRACTOR:

- FASTEN WOOD POST WITH CUSTOM FABRICATED BOOT FROM 1/2" THICK TUBULAR STEEL: HSS 6"x6"x1/2" WITH DRAIN HOLES EACH SIDE. WELD 1/2" BOTTOM PLATE AND 2 1/2" DIA. SCHEDULE 40 PIPE. WELDS TO BE CONTINUOUS 1/2" FILLET WELDS. DRILL 4x1/2" HOLES ON EACH SIDE. HOT-DIP GALVANIZE THE ENTIRE ASSEMBLY AFTER FABRICATION.
- ALL WOOD TO BE WESTERN RED CEDAR UNLESS OTHERWISE INDICATED. FENCE POSTS SHALL BE CEDAR GRADE NO.1 OR BETTER. SAND SMOOTH ANY ROUGH/SHARP SURFACES OR CRACKED EDGES/CORNERS.
- ALL FASTENING HARDWARE TO BE HOT-DIPPED GALVANIZED, STAINLESS STEEL OR COATED FOR EXTERIOR USE.
- CONTRACTOR TO PROVIDE SHOP DRAWINGS IN CONFORMANCE TO ONTARIO BUILDING CODE FOR GUARDRAIL REQUIREMENTS AND SEALED BY A P.ENG. LICENSED TO PRACTICE IN THE PROVINCE OF ONTARIO FOR APPROVAL PRIOR TO INSTALLATION.



**APPROVED**  
 By Lily Xu at 1:54 pm, Sep 09, 2022

*Lily Xu*

LILY XU, MCIP, RPP  
 MANAGER, DEVELOPMENT REVIEW SOUTH  
 PLANNING, INFRASTRUCTURE & ECONOMIC  
 DEVELOPMENT DEPARTMENT, CITY OF OTTAWA



**2 WOOD PRIVACY FENCE**  
**L2 NTS**

rev'n	description / la description	yyyy/mm/dd
09	re-issued for SPA	2022/08/05
08	issued for tender	2022/02/07
07	issued for internal coordination	2022/02/04
06	issued for internal coordination	2022/02/01
05	re-issued for permit	2021/10/05
04	issued for permit	2021/07/16
03	re-issued for internal coordination	2021/05/13
02	issued for SPA	2020/12/14
01	issued for internal coordination	2020/12/10
00	issued for Client review	2020/11/30

**FOTENN Planning + Design**  
 396 Cooper Street, Suite 300  
 Ottawa, ON, CANADA K2P 2H7  
 613.730.5709  
 fotenn.com

project / projet

stamp / le cachet



project / projet

**3455 HAWTHORNE ROAD**

drawing / dessin

**LANDSCAPE DETAILS**

designed / conçu	drawn / dessiné	reviewed / examiné
OM / KP	OM	KP
date		
NOV. 2020	D07-12-20-0191	


drawing number / No. du dessin

**L2 of 3**



**1600 SERIES**

**MBR-1600-00008**  
Legacy # SCBR1600-5



**Sustainability Facts**

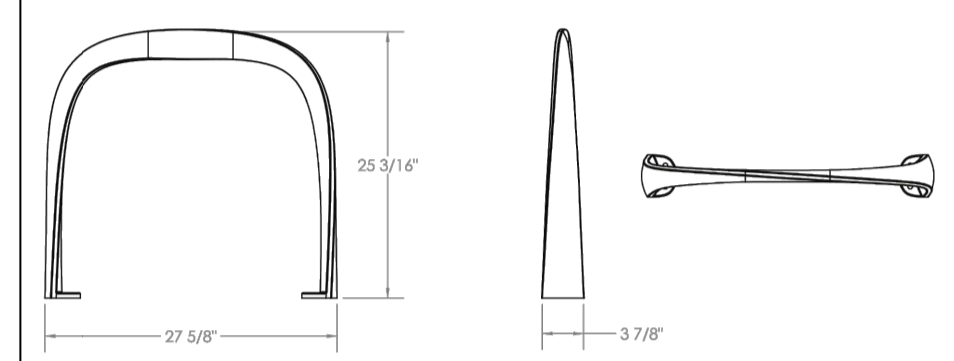
Unit Size: One (1) MBR-1600-00008 Bike Rack  
Carbon Footprint (CO<sub>2</sub>e): 80 kg CO<sub>2</sub>e  
Material Efficiency of Carbon Footprint: 100%  
Total energy use (TPE): 330 MJ/kg  
Material use (MUE): 2.28 m<sup>3</sup> water  
Material recyclability: 100%

**LEED v4.1 Credits**

Type III Environmental Product Declaration  
Material Inventory  
Low VOC Finishes  
Recycled Content

DESCRIPTION: 1600 Series - SC Bike Rack, Cast Aluminum, Surface Mount, 2 Bike Configuration  
FINISH: The Maglin Powdercoat System provides a durable finish on all metal surfaces.  
INSTALLATION: The bike rack is delivered pre-assembled. It is available with either a surface mount or direct burial installation option.  
TO SPECIFY: Select MBR-1600-00008  
Choose:  
- Powdercoat Color

HEIGHT: 25.18" (63.98cm) LENGTH: 27.62" (70.17cm) WIDTH: 3.375" (8.375cm) WEIGHT: 18.3lbs (8.3kg)

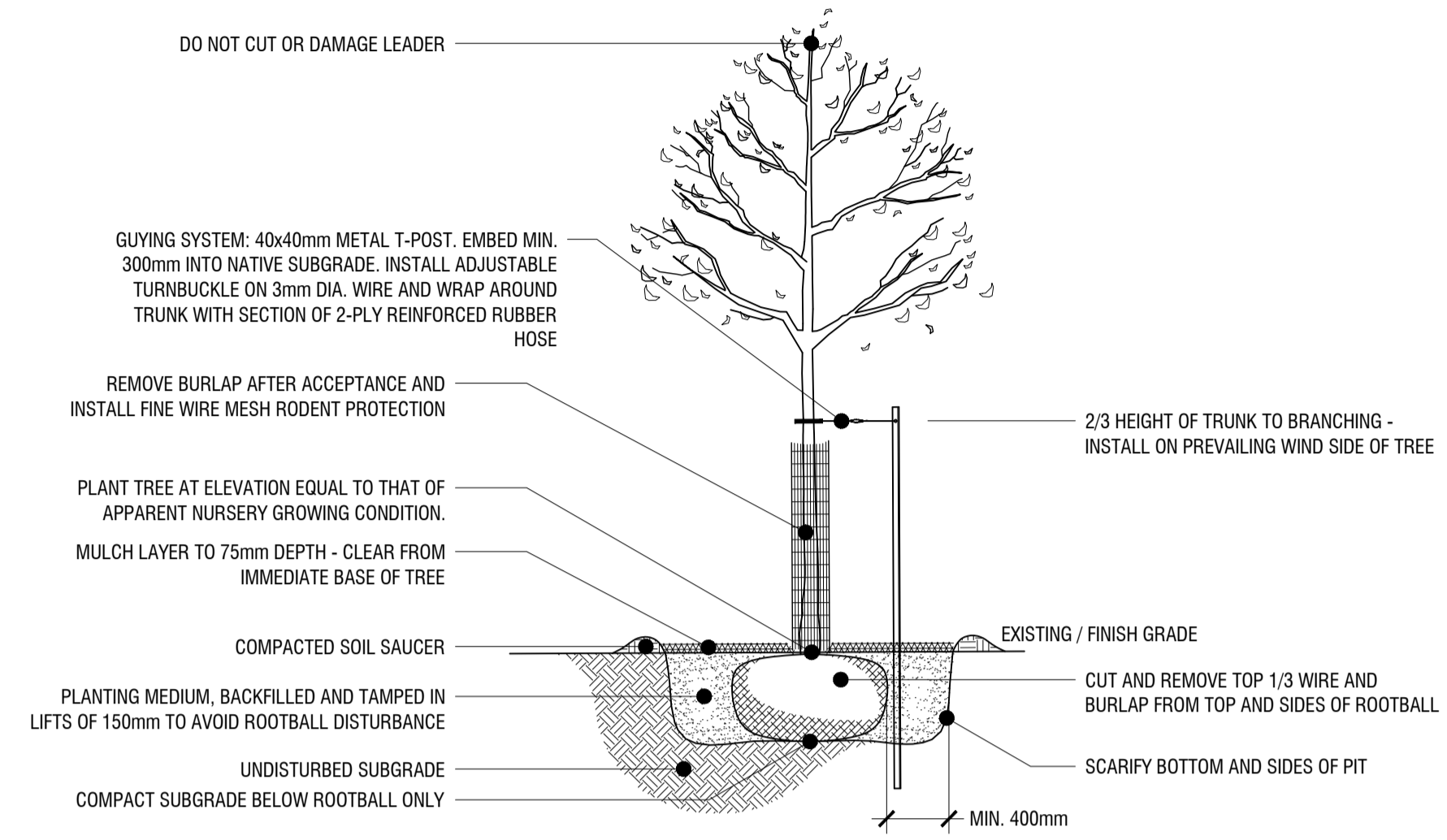


**MAGLIN**  
Site Furniture

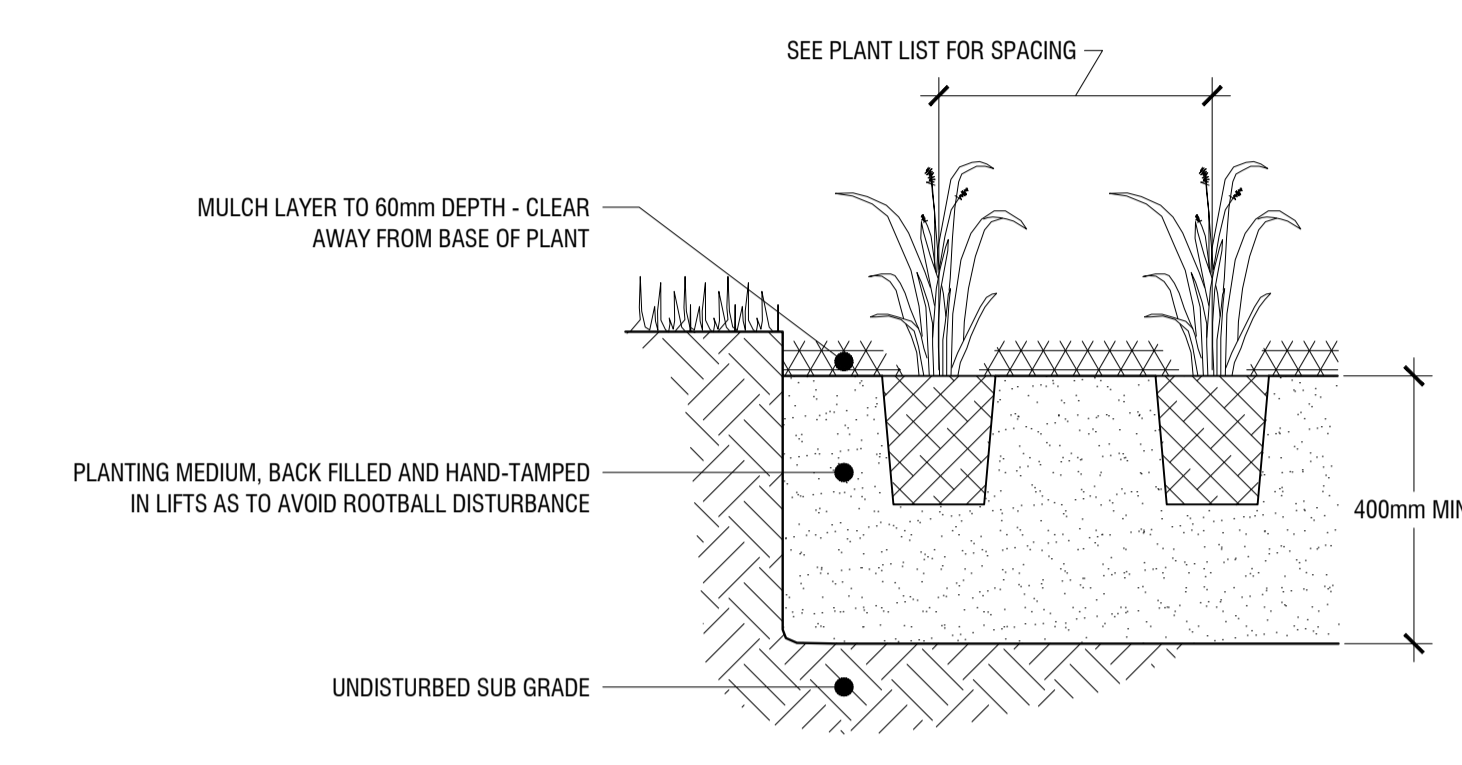
1-800-736-8888  
1-877-580-8343  
www.maglin.com  
sales@maglin.com

NOTES:  
COLOUR: POWDERCOATED SILVER 14  
SURFACE MOUNT TO CONCRETE PAVING WITH STAINLESS STEEL, TAMPER PROOF HARDWARE

**1 BIKE RACK DETAIL**  
**L3 NTS**



**2 DECIDUOUS TREE PLANTING DETAIL**  
**L3 1:40**



**3 ORNAMENTAL GRASS/PERENNIAL PLANTING DETAIL**  
**L3 1:10**

Copyright Reserved  
The Copyrights to all designs and drawings are the property of Fotenn Consultants Inc. Unauthorized reproduction or use is forbidden. DO NOT SCALE DRAWING

Copyright réservés  
Les droits d'auteur à tous les modèles et dessins sont la propriété de Fotenn Consultants Inc. Reproduction ou utilisation non autorisée est interdite. NE PAS L'ÉCHELLE DE DESSIN



key plan / plan repère

**PRELIMINARY**  
NOT FOR CONSTRUCTION

legend / légende

rev'n	description / la description	yyyy/mm/dd
09	re-issued for SPA	2022/08/05
08	issued for tender	2022/02/07
07	issued for internal coordination	2022/02/04
06	issued for internal coordination	2022/02/01
05	re-issued for permit	2021/10/05
04	issued for permit	2021/07/16
03	re-issued for internal coordination	2021/05/13
02	issued for SPA	2020/12/14
01	issued for internal coordination	2020/12/10
00	issued for Client review	2020/11/30


**FOTENN Planning + Design**

396 Cooper Street, Suite 300  
Ottawa, ON, CANADA K2P 2H7

613.730.5709  
fotenn.com

north / le nord

stamp / le cachet



project / projet

**3455 HAWTHORNE ROAD**


drawing / dessin

**LANDSCAPE DETAILS**

designed / conçu	drawn / dessiné	reviewed / examiné
OM / KP	OM	KP
date	NOV. 2020 D07-12-20-0191	

drawing number / No. du dessin

**APPROVED**  
By Lily Xu at 1:55 pm, Sep 09, 2022



LILY XU, MCIP, RPP  
MANAGER, DEVELOPMENT REVIEW SOUTH  
PLANNING, INFRASTRUCTURE & ECONOMIC  
DEVELOPMENT DEPARTMENT, CITY OF OTTAWA