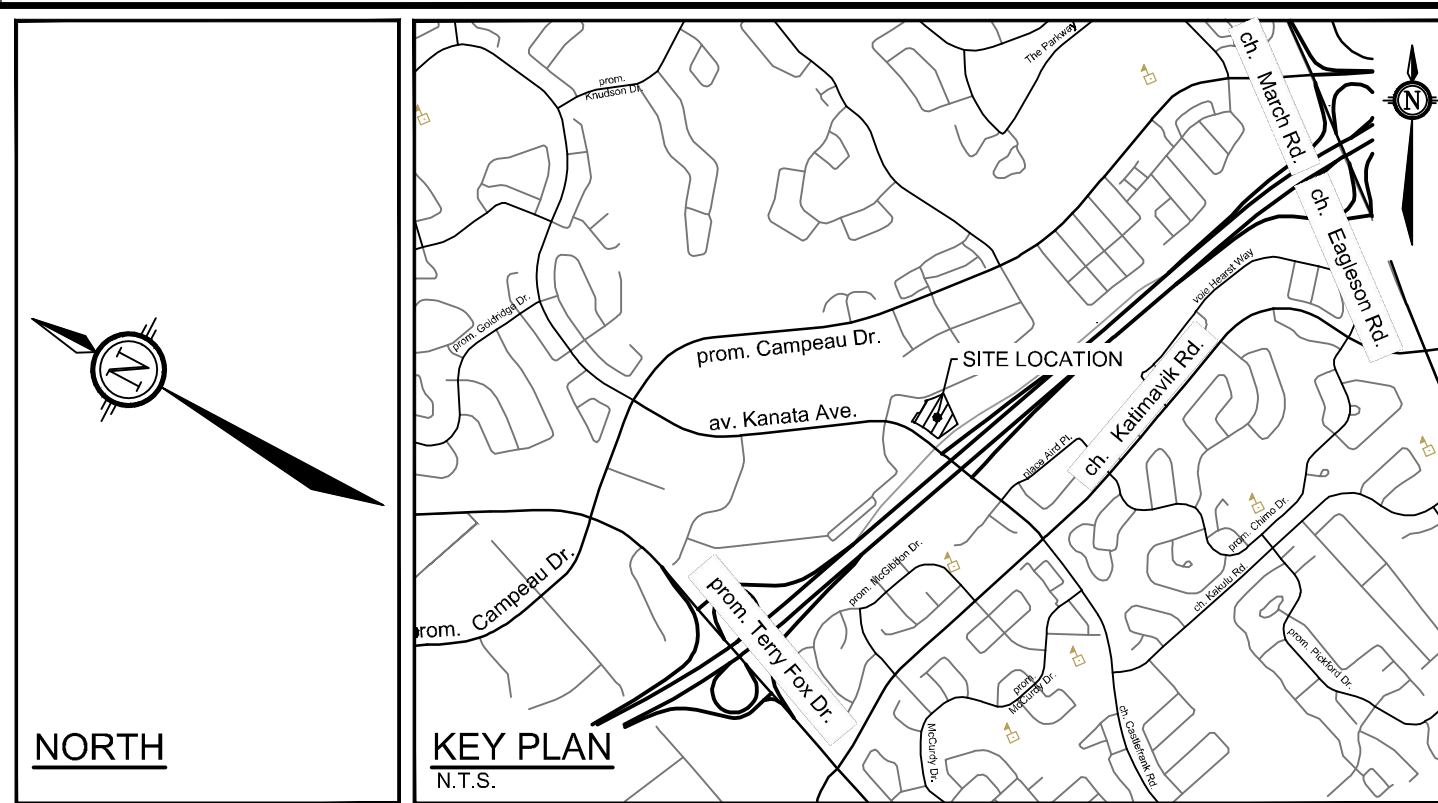


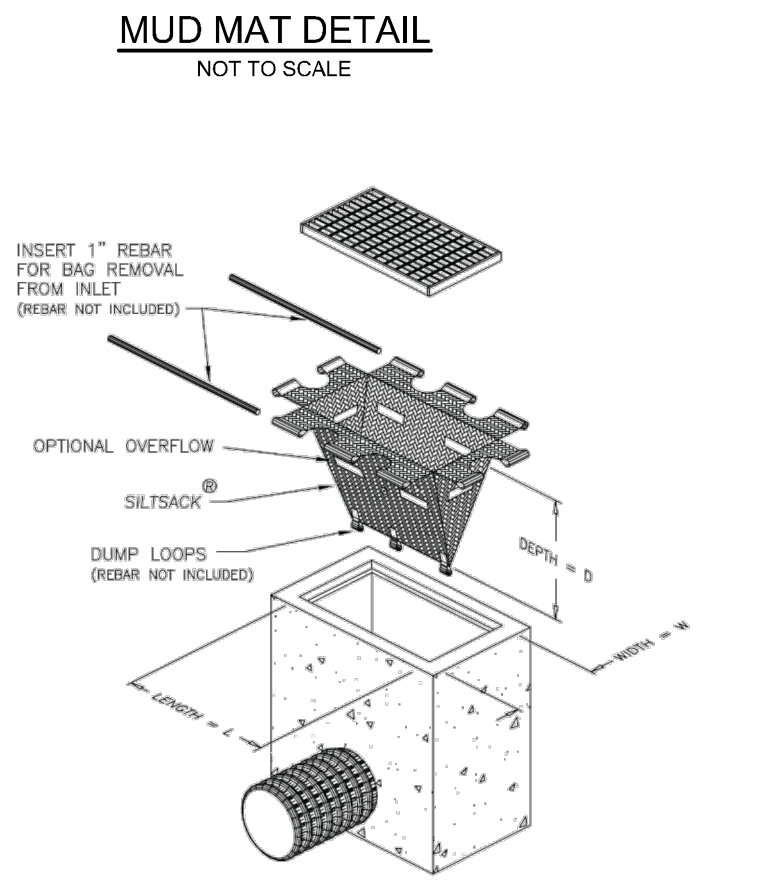
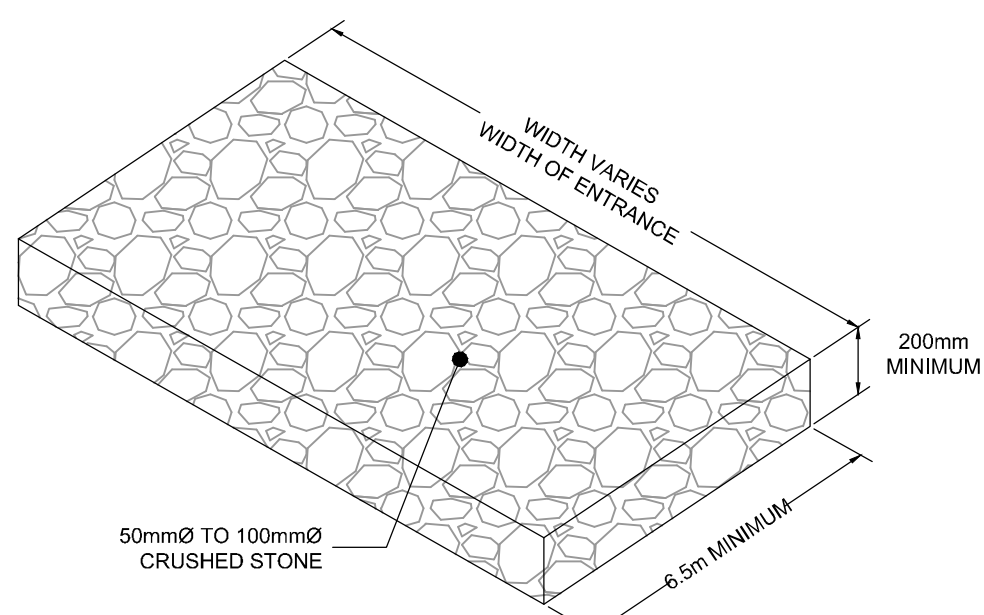
A Hamlin
ALLISON HAMLIN
MANAGER (A), DEVELOPMENT REVIEW WEST
PLANNING, REAL ESTATE & ECONOMIC DEVELOPMENT
DEPARTMENT, CITY OF OTTAWA

APPROVED
 By Allison Hamlin at 9:28 am, Dec 12, 2023



- LEGEND**
- PROPERTY LINE
 - PROPOSED CURB
 - PROPOSED DEPRESSED CURB
 - PROPOSED TACTILE WALKING SURFACE INDICATOR (TWSI)
 - PROPOSED STORM MANHOLE
 - PROPOSED CATCHBASIN MANHOLE
 - PROPOSED CATCHBASIN
 - PROPOSED LANDSCAPE DRAIN
 - PROPOSED AREA DRAIN
 - PROPOSED MUD MAT
 - LIGHT DUTY SILT FENCE (OPSD 219.110)
 - PROPOSED FILTER BAGS AT CATCHBASINS, CATCHBASIN MANHOLES AND TRENCHDRAINS
 - PROPOSED TRENCH DRAIN
 - DIRECTION OF FLOW
 - PROPOSED RETAINING WALL CW GUARD RAIL
 - PIPE CROSSING
 - PROPOSED SWALE
 - PROPOSED TERRACING
 - EXISTING UTILITY POLE CW GUY WIRES
 - EXISTING WATERMAIN CW WATER VALVE
 - EXISTING HYDRANT CW VALVE & LEAD
 - EXISTING SANITARY MANHOLE & SEWER
 - EXISTING STORM MANHOLE & SEWER
 - EXISTING CATCHBASIN
 - EXISTING OVERHEAD WIRES
 - EXISTING STREETLIGHT

- EROSION AND SEDIMENT CONTROL NOTES :**
- ALL EROSION AND SEDIMENT CONTROLS SHALL BE INSTALLED TO THE SATISFACTION OF THE ENGINEER, CITY OF OTTAWA AND THE CONSERVATION AUTHORITY. THEY SHALL BE APPROPRIATE TO THE SITE CONDITIONS, PRIOR TO UNDERTAKING ANY SITE ALTERATIONS (FILLING, GRADING, REMOVAL OF VEGETATION, ETC.) AND DURING ALL PHASES OF SITE PREPARATION AND CONSTRUCTION. THESE PRACTICES SHALL BE IMPLEMENTED IN ACCORDANCE WITH THE CURRENT BEST MANAGEMENT PRACTICES FOR EROSION AND SEDIMENT CONTROL AND SHOULD INCLUDE AS A MINIMUM THOSE MEASURES INDICATED ON THE PLAN.
 - TO PREVENT SURFACE EROSION FROM ENTERING THE DITCH OR STORM SYSTEM DURING CONSTRUCTION, FILTER SOCKS WILL BE PLACED UNDER GRATES OF ALL PROPOSED AND EXISTING CATCHBASINS AND STRUCTURES. A LIGHT DUTY SILT FENCE BARRIER WILL ALSO BE INSTALLED IN SELECTED LOCATIONS, AND STRAW BALE BARRIERS WILL BE INSTALLED WITHIN THE OUTLET DITCHES. THESE CONTROL MEASURES WILL REMAIN IN PLACE UNTIL VEGETATION HAS BEEN ESTABLISHED AND CONSTRUCTION COMPLETE.
 - THE SEDIMENT CONTROL MEASURES SHALL ONLY BE REMOVED WHEN, IN THE OPINION OF THE ENGINEER, THE MEASURES ARE NO LONGER REQUIRED. NO CONTROL MEASURES MAY BE PERMANENTLY REMOVED WITHOUT PRIOR AUTHORIZATION FROM THE ENGINEER.
 - THE CONTRACTOR SHALL IMMEDIATELY REPORT TO THE ENGINEER ANY ACCIDENTAL DISCHARGES OF SEDIMENT MATERIAL INTO ANY DITCH OR STORM SEWER SYSTEM. APPROPRIATE RESPONSE MEASURES, INCLUDING ANY REPAIRS TO EXISTING CONTROL MEASURES OR THE IMPLEMENTATION OF ADDITIONAL CONTROL MEASURES, SHALL BE CARRIED OUT BY THE CONTRACTOR WITHOUT DELAY.
 - THE CONTRACTOR ACKNOWLEDGES THAT FAILURE TO IMPLEMENT EROSION AND SEDIMENT CONTROL MEASURES MAY BE SUBJECT TO PENALTIES IMPOSED BY ANY APPLICABLE REGULATORY AGENCY.
 - THE CONTRACTOR SHALL PROVIDE DUST CONTROL WITH THE APPLICATION OF WATER AND/OR CALCIUM CHLORIDE AS REQUIRED.



REFER TO 120144-ND FOR ADDITIONAL NOTES & DETAILS

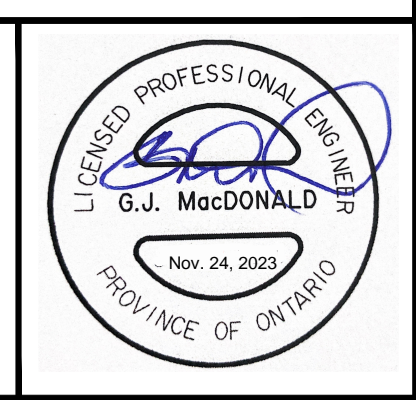
NOTE:
 THE POSITION OF ALL POLE LINES, CONDUITS, WATERMANS, SEWERS AND OTHER UNDERGROUND AND OVERGROUND UTILITIES AND STRUCTURES IS NOT NECESSARILY SHOWN ON THE CONTRACT DRAWINGS, AND WHERE SHOWN, THE ACCURACY OF THE POSITION OF SUCH UTILITIES AND STRUCTURES IS NOT GUARANTEED. BEFORE STARTING WORK, DETERMINE THE EXACT LOCATION OF ALL SUCH UTILITIES AND STRUCTURES AND ASSUME ALL LIABILITY FOR DAMAGE TO THEM.

CLARIDGE HOMES
 CLARIDGE HOMES
 505 PRESTON STREET,
 OTTAWA, ONTARIO
 K1S 4N7.



No.	REVISION	DATE	BY
4.	REVISED PER CITY COMMENTS	AUG 28/23	GJM
3.	ISSUED FOR SPA	APR 28/23	GJM
2.	REVISED PER CITY COMMENTS	OCT 11/22	GJM
1.	REVISED PER CITY COMMENTS	MAY 31/22	GJM

SCALE	
1:250	1:250
0 2 4 6 8 10	



NOVATECH
 Engineers, Planners & Landscape Architects
 Suite 200, 240 Michael Copeland Drive
 Ottawa, Ontario, Canada K2M 1P6
 Telephone: (613) 254-9643
 Facsimile: (613) 254-5867
 Website: www.novatech-eng.com

LOCATION CITY OF OTTAWA 1200 MARITIME WAY	PROJECT No. 120144
DRAWING NAME EROSION AND SEDIMENT CONTROL PLAN	REV # 4
	DRAWING No. 120144-ESC