


Drawing #	Descriptions
<b>Sp1</b>	<b>3d illustrations</b>
<b>Sp2</b>	<b>Plan view</b>
<b>Sp3</b>	<b>Section 1</b>
<b>Sp4</b>	<b>Section 2</b>
<b>Sp5</b>	<b>3d illustrate connection details</b>



#11-300 Earl Grey Drive, Suite 213, Ottawa, Ontario, Canada K2T 1C1  
 Tel: 613-302-8972 Email: daidogroup@gmail.com  
 Web Site: <https://daidogroup.wixsite.com/daido>



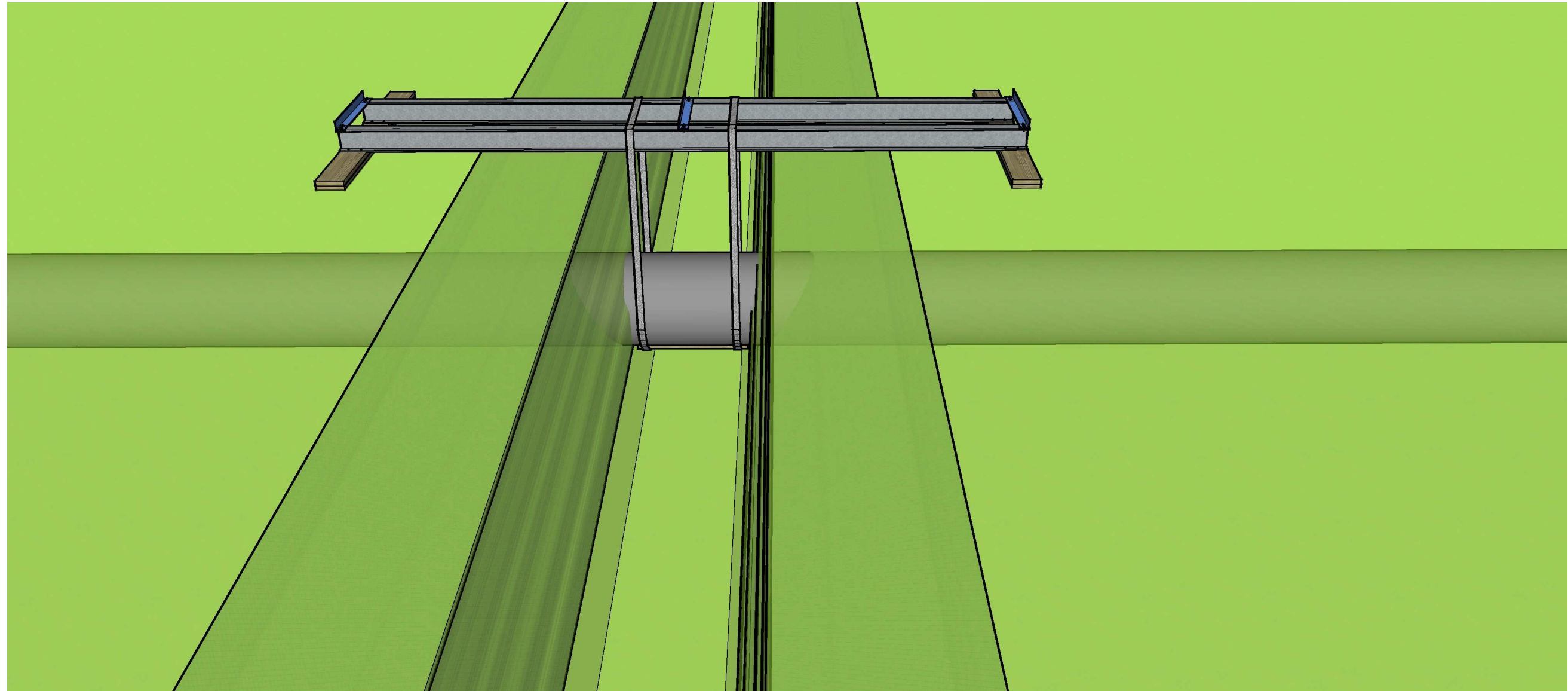
1994 St. Joseph, Ottawa, Ontario  
 Temporary Support of Water Main  
 January 22, 2023

Project: 1994 St. Joseph Blvd., Ottawa, Ontario Temporary support of Water Main	Title: Table of contents	Drawn: Trench Tai	Scale: N.T.S.  January 22, 2023	<b>Sp-0</b>	(of 5)
---	-----------------------------	----------------------	---	-------------	--------

pipeSupport.skp...c:\cad\1994StJoseph\WaterMain\waterMain.layout

Plan No. 18575

Development No. 007-12-21-0021



1.1) 3d illustrations



#11-300 Earl Grey Drive, Suite 213, Ottawa, Ontario, Canada K2T 1C1  
 Tel: 613-302-8972 Email: daidogroup@gmail.com  
 Web Site: <https://daidogroup.wixsite.com/daido>



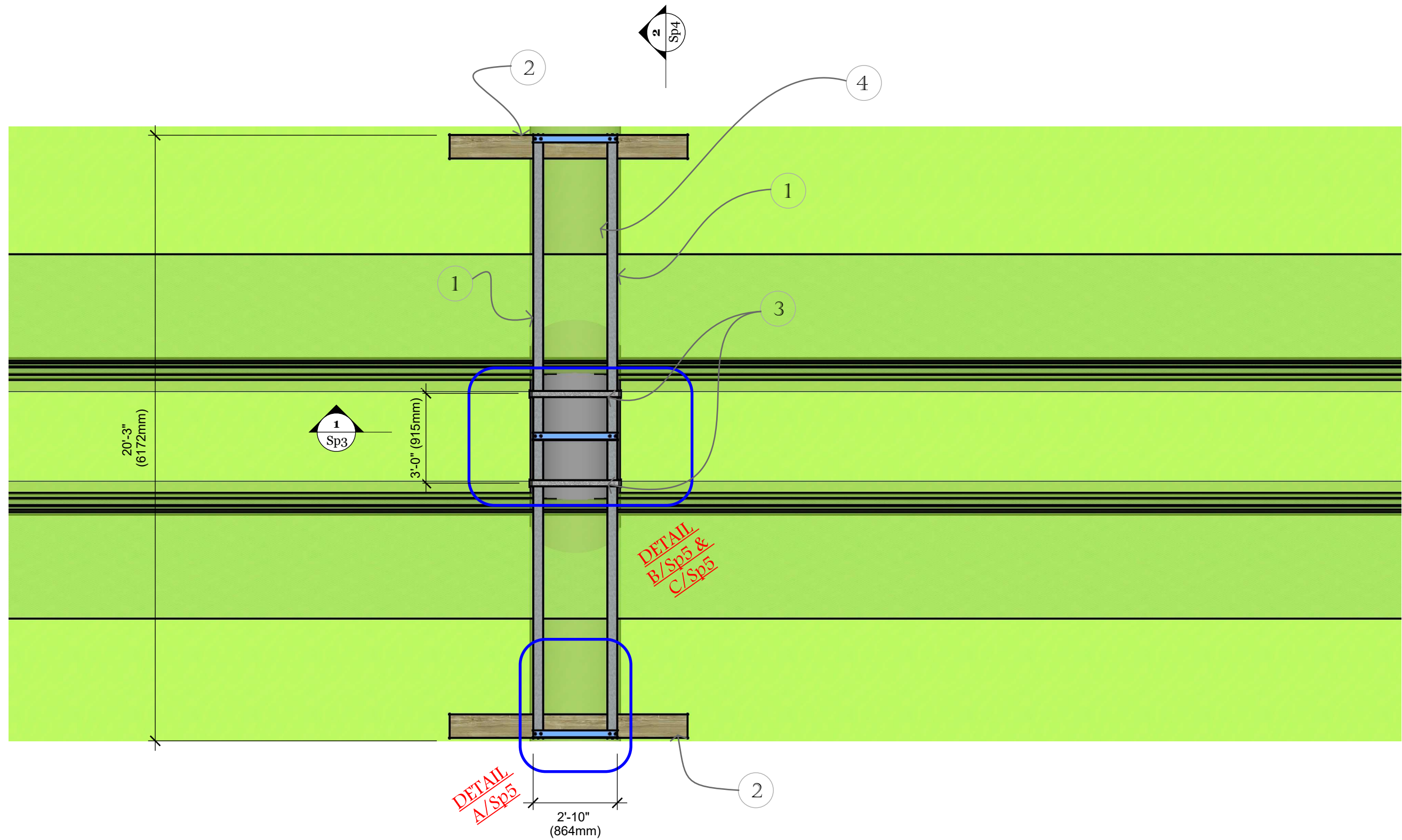
1994 St. Joseph, Ottawa, Ontario  
 Temporary Support of Water Main  
 January 22, 2023

Project: 1994 St. Joseph Blvd., Ottawa, Ontario Temporary support of Water Main	Title: 3d illustrations	Drawn: Trench Tai	Scale: N.T.S.  January 22, 2023	<u>Sp-1</u>	(of 5)
---	----------------------------	----------------------	---	-------------	--------

pipeSupport.skp....c:\cad\1994StJoseph\WaterMain\waterMain.layout

Plan No. 18575

Development No. 007-12-21-0021




2.1) Plan View



#11-300 Earl Grey Drive, Suite 213, Ottawa, Ontario, Canada K2T 1C1  
 Tel: 613-302-8972 Email: daidogroup@gmail.com  
 Web Site: <https://daidogroup.wixsite.com/daido>

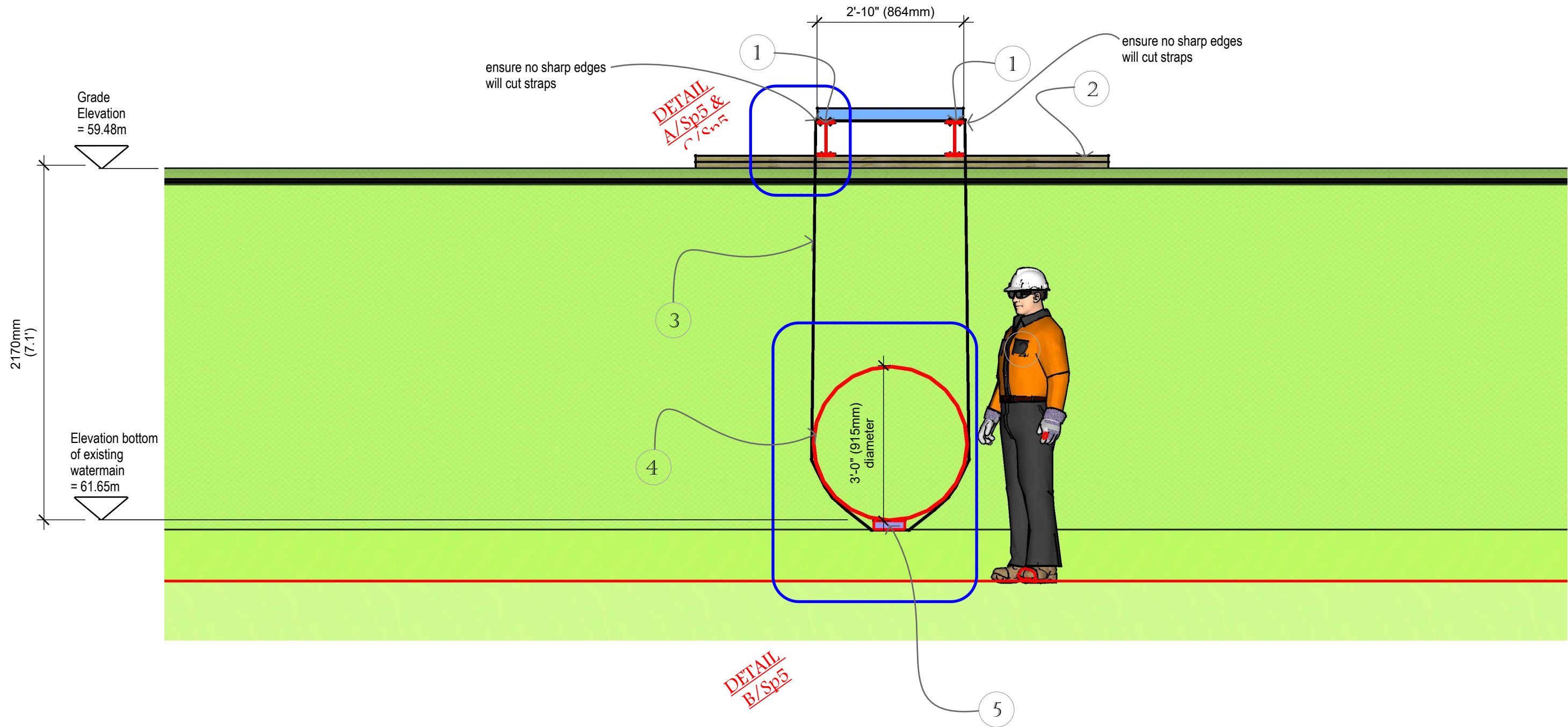


Project: 1994 St. Joseph Blvd., Ottawa, Ontario Temporary support of Water Main	Title: Plan View	Drawn: Trench Tai	Scale: N.T.S.  January 22, 2023	<u>Sp-2</u> (of 5)
---	---------------------	----------------------	---	--------------------

pipeSupport.skp...cad\1994StJoseph\WaterMain\waterMain.layout

Plan No. 18575

Development No. D07-12-21-0021




3.1) Section 1



#11-300 Earl Grey Drive, Suite 213, Ottawa, Ontario, Canada K2T 1C1  
 Tel: 613-302-8972 Email: daidogroup@gmail.com  
 Web Site: <https://daidogroup.wixsite.com/daido>

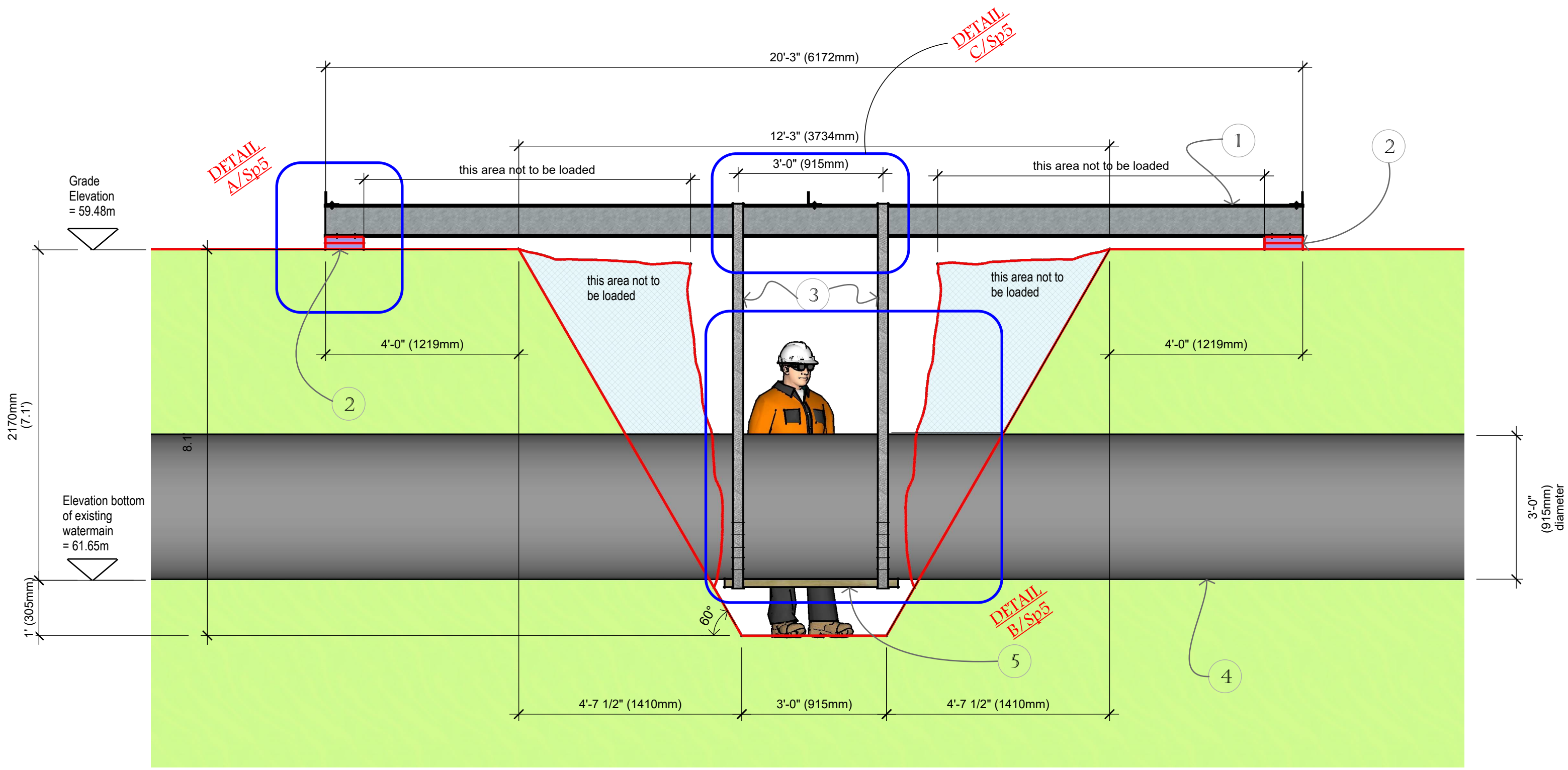


Project: 1994 St. Joseph Blvd., Ottawa, Ontario Temporary support of Water Main	Title: Section 1	Drawn: Trench Tai	Scale: 1/2" = 1'-0"  January 22, 2023	Sp~3 (of 5)
---	---------------------	----------------------	---	-------------

pipeSupport.skp...c:\cad\1994StJoseph\WaterMain\waterMain.layout

Plan No. 18575

Development No. D07-12-21-0021



4.1) Section 2



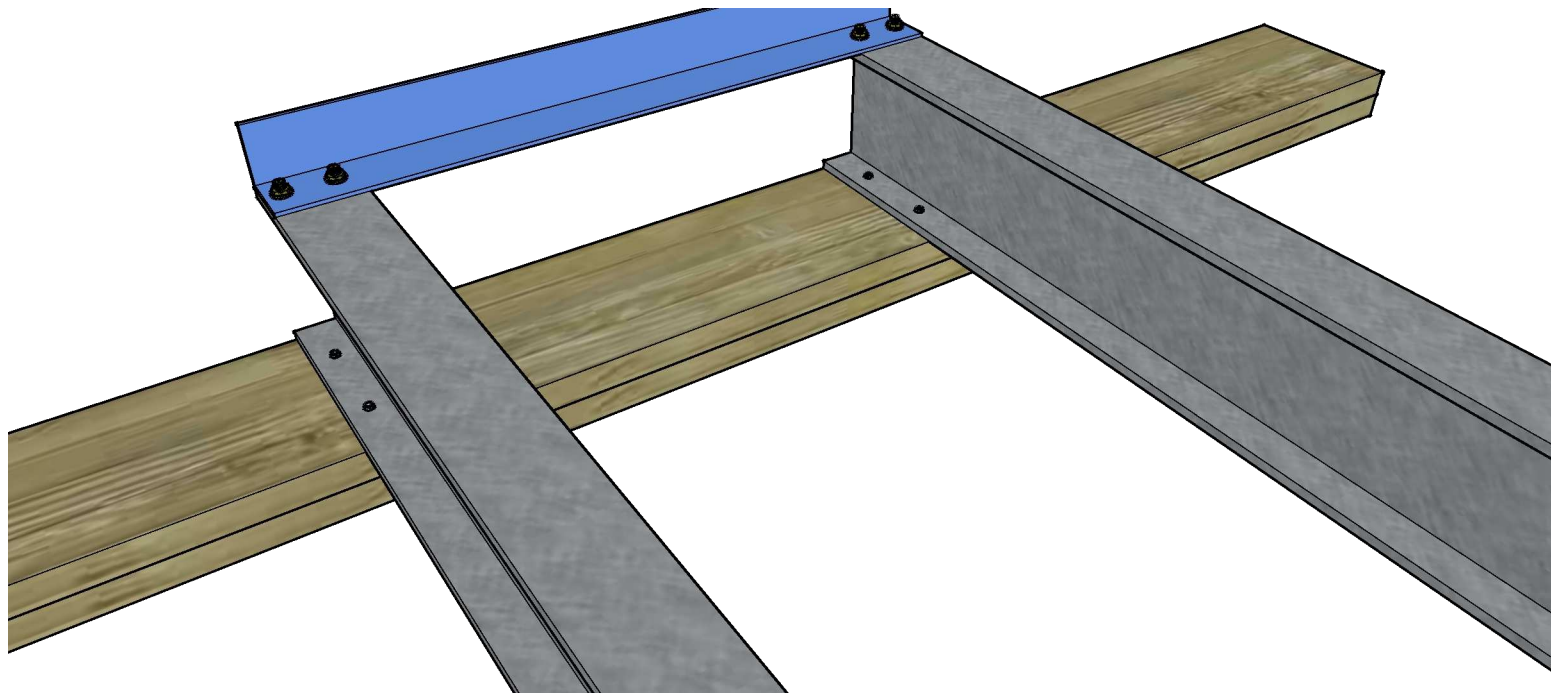
#11-300 Earl Grey Drive, Suite 213, Ottawa, Ontario, Canada K2T 1C1  
 Tel: 613-302-8972 Email: daidogroup@gmail.com  
 Web Site: <https://daidogroup.wixsite.com/daido>



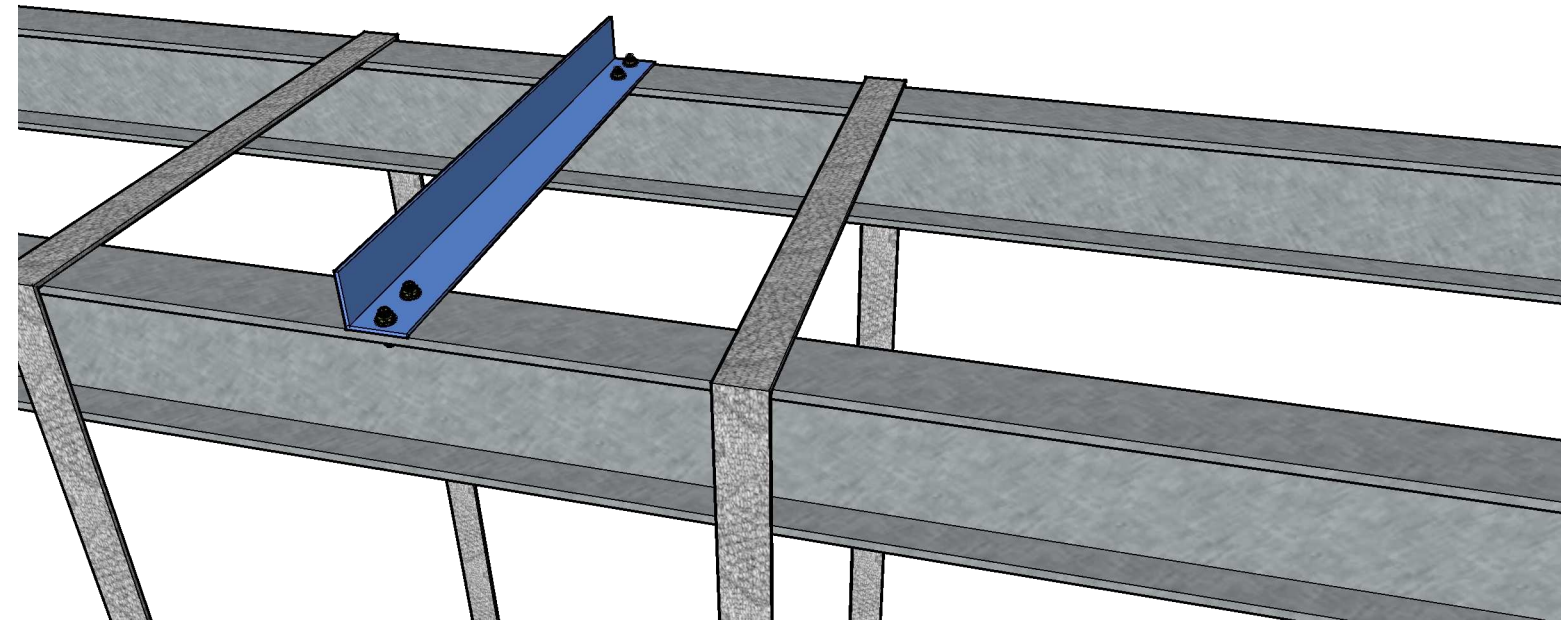
1994 St. Joseph Blvd., Ottawa, Ontario  
 Temporary Support of Water Main  
 January 22, 2023

Project: 1994 St. Joseph Blvd., Ottawa, Ontario Temporary support of Water Main	Title: Section 2	Drawn: Trench Tai	Scale: 1/2" = 1'-0" January 22, 2023	Sp-4 (of 5)
---	---------------------	----------------------	--	-------------

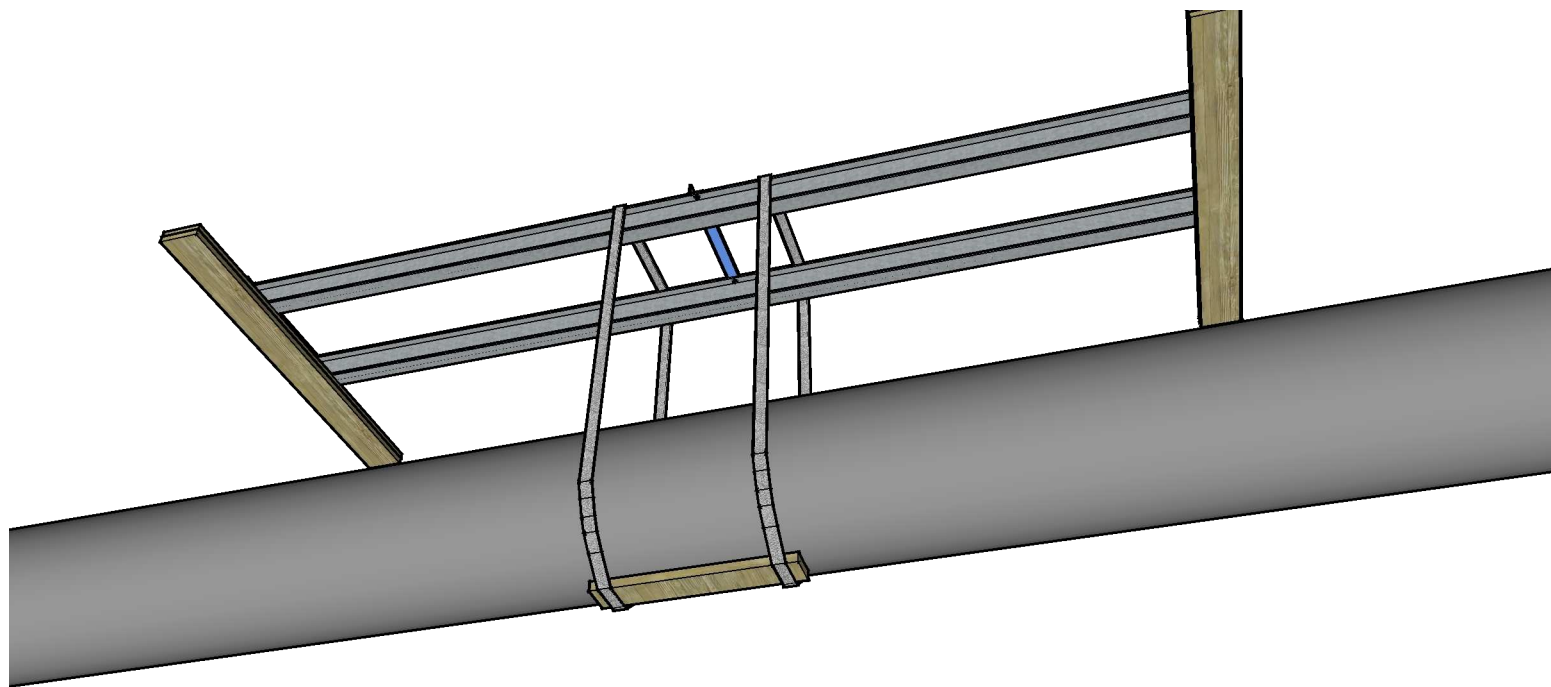
pipeSupport.skp...c:\cad\1994StJoseph\WaterMain\waterMain.layout



5.1) 3d illustate connection detail-(A)



5.3) 3d illustate connection detail-(C)



5.2) 3d illustate connection detail- (B)

1	Temporary steel beam = 2 pieces of W200x22, c/w (4)-12mm dia. lag screws each end. Tie the 2 beams with 76x76x6L at mid-span and at each end, (4)-12mm dia. A325 bolts each end, or welded to prevent beam rotation
2	Temporary (2)-38x235 to spread the loads
3	Nylon Strap to meet the requirements of the O.H.S.A. Each strap carries basket hitch load of 3200 pound (14.3 kN), based on factor of safety of 2.0 Submit the specifications of the strap to the Engineer for review
4	Existing 36" (915mm) diameter water main pipe
5	50x200 hardwood support

5.4) Legend


Note:  
Elevations and diameter of pipe were supplied to us by the project manager. Verify the information is correct before construction. Inform the Engineer if any of the information supplied to us is not the same as what's shown on this drawing



#11-300 Earl Grey Drive, Suite 213, Ottawa, Ontario, Canada K2T 1C1  
Tel: 613-302-8972 Email: daidogroup@gmail.com  
Web Site: <https://daidogroup.wixsite.com/daido>



1994 St. Joseph Blvd., Ottawa, Ontario  
Temporary Support of Water Main  
January 22, 2023

Project: 1994 St. Joseph Blvd., Ottawa, Ontario Temporary support of Water Main	Title: ~ 3d illustrate connection details ~ Legend	Drawn: Trench Tai	Scale: N.T.S.  January 22, 2023	Sp-5 (of 5)
---	--	----------------------	---	-------------