

Drawing #	Descriptions
Sp1	3d illustrations
Sp2	Plan view
Sp3	Section 1
Sp4	Section 2
Sp5	3d illustrate connection details



#11-300 Earl Grey Drive, Suite 213, Ottawa, Ontario, Canada K2T 1C1
 Tel: 613-302-8972 Email: daidogroup@gmail.com
 Web Site: <https://daidogroup.wixsite.com/daido>

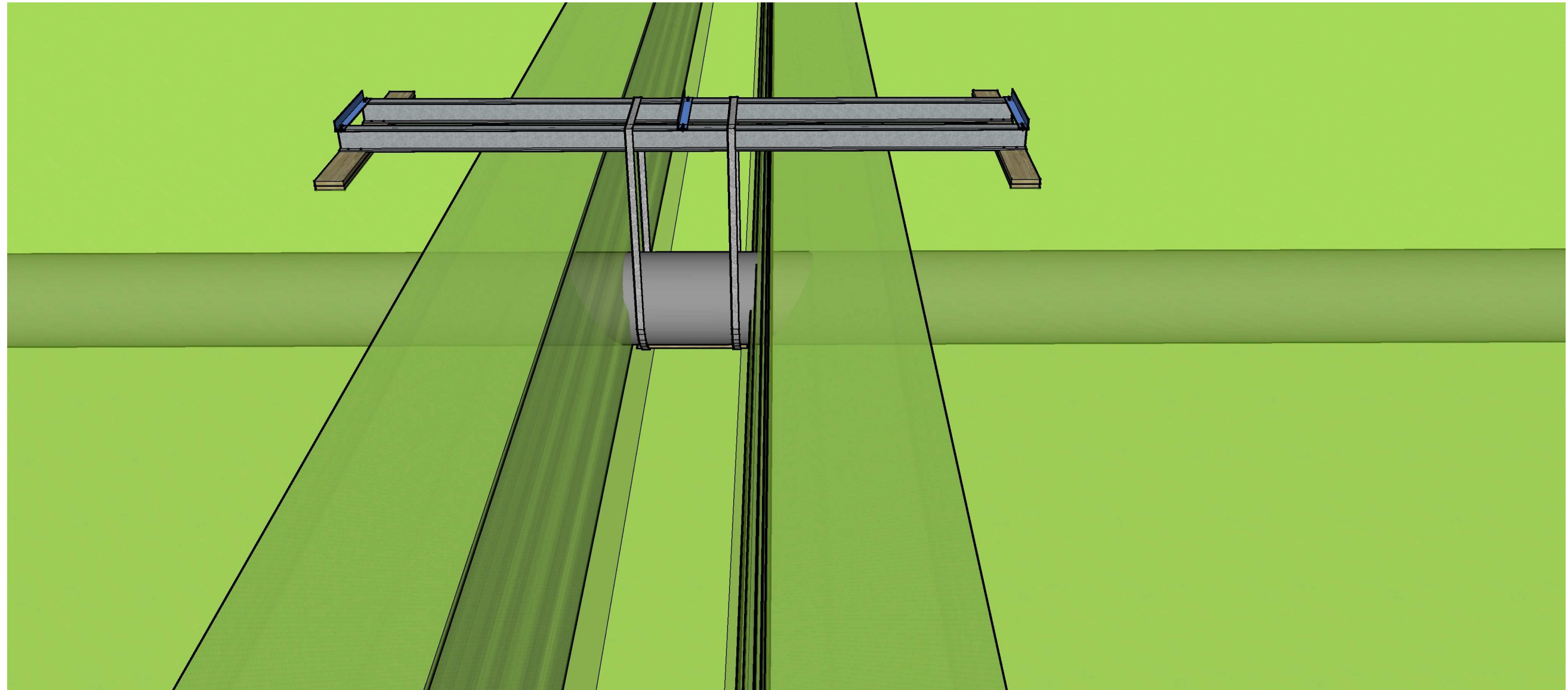


Project:
 1994 St. Joseph Blvd., Ottawa, Ontario
 Temporary support of Water Main

Title:
 Table of contents

Drawn:
 Trench Tai
 Scale:
 N.T.S.
 January 22, 2023

Sp-0 (of 5)




1.1) 3d illustrations

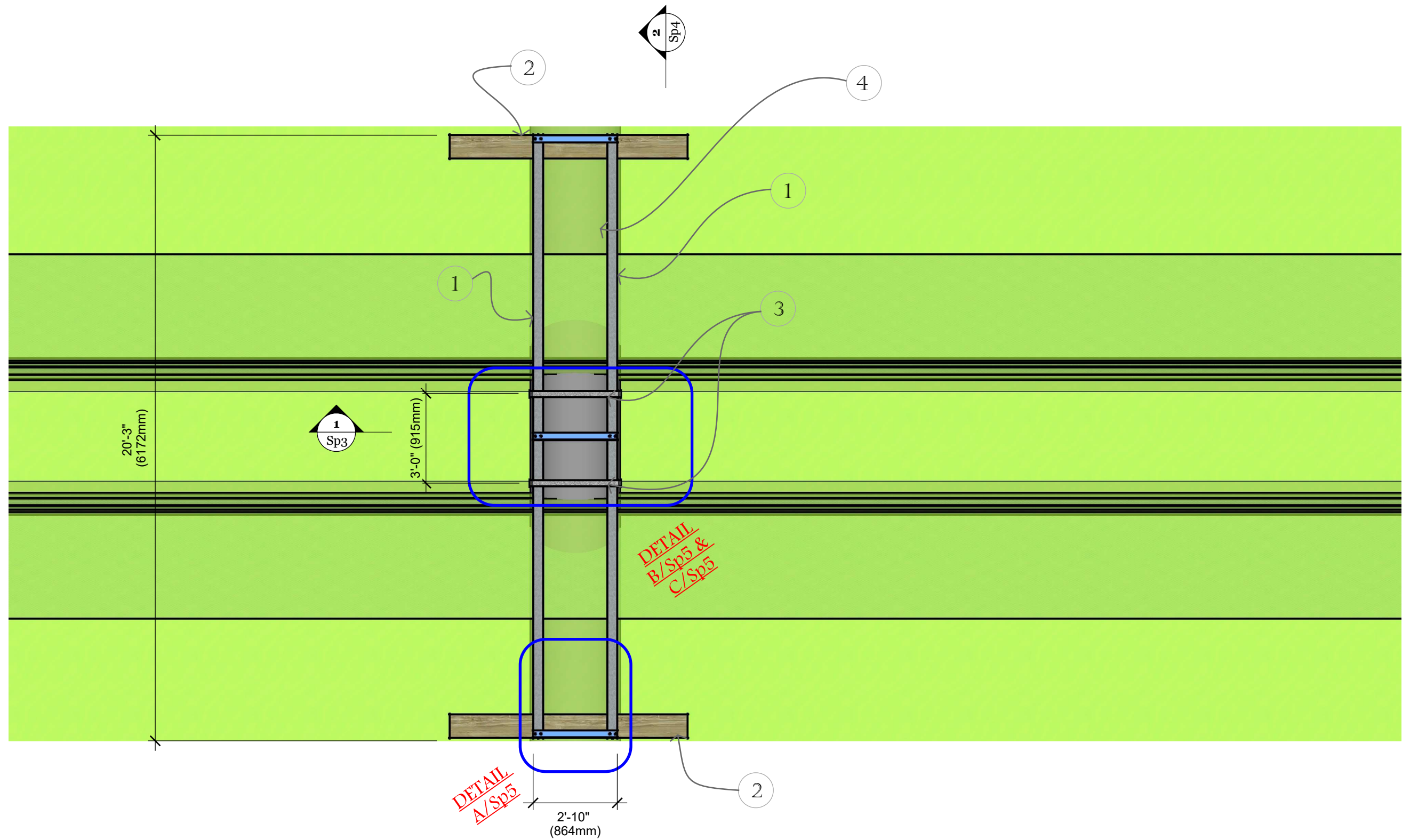


#11-300 Earl Grey Drive, Suite 213, Ottawa, Ontario, Canada K2T 1C1
 Tel: 613-302-8972 Email: daidogroup@gmail.com
 Web Site: <https://daidogroup.wixsite.com/daido>



Project: 1994 St. Joseph Blvd., Ottawa, Ontario Temporary support of Water Main	Title: 3d illustrations	Drawn: Trench Tai	Scale: N.T.S.  January 22, 2023	Sp-1 (of 5)
---	-----------------------------------	----------------------	---	--------------------

pipeSupport.skp....c:\cad\1994StJoseph\WaterMain\waterMain.layout



2.1) Plan View



#11-300 Earl Grey Drive, Suite 213, Ottawa, Ontario, Canada K2T 1C1
 Tel: 613-302-8972 Email: daidogroup@gmail.com
 Web Site: <https://daidogroup.wixsite.com/daido>

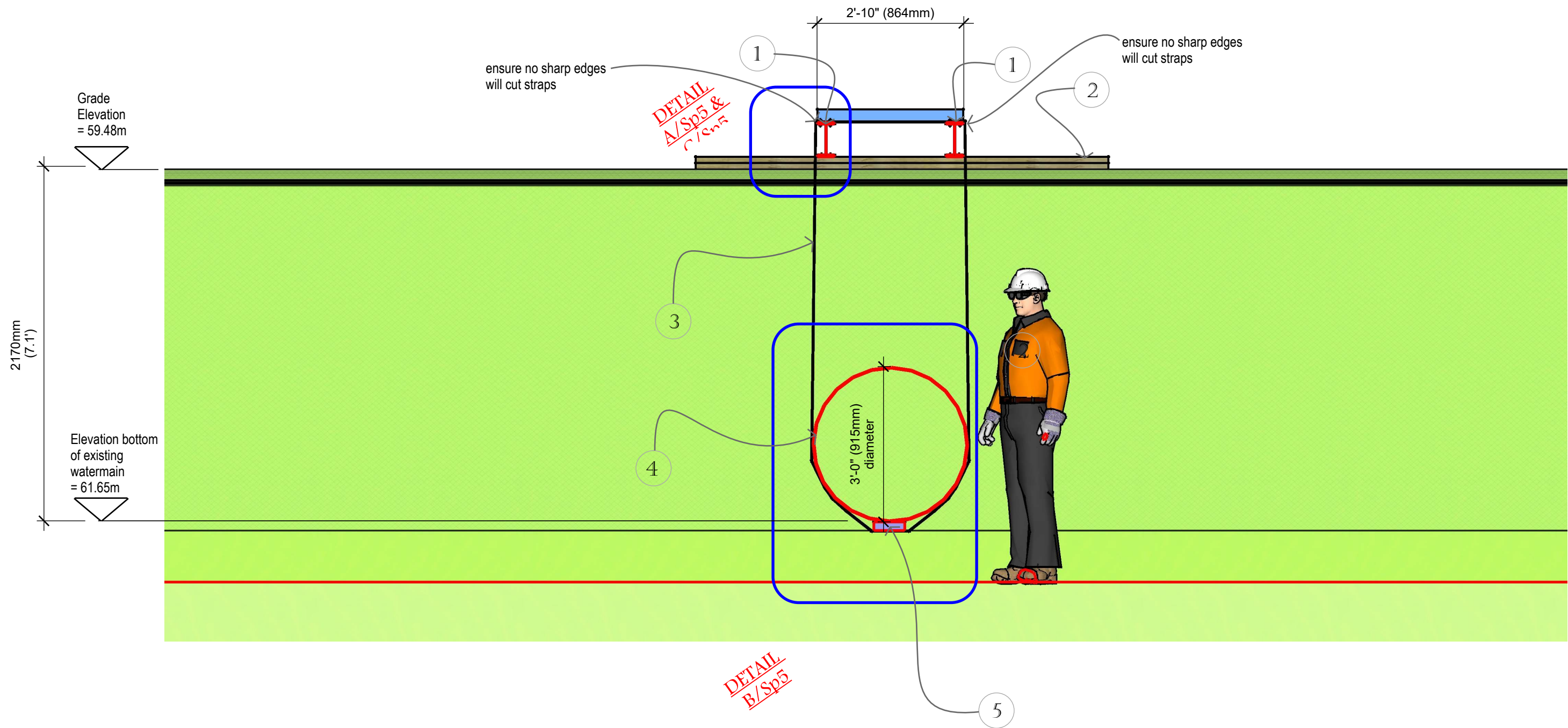


Project:	Title:	Drawn:	Scale:
1994 St. Joseph Blvd., Ottawa, Ontario	Plan View	Trench Tai	N.T.S.
Temporary support of Water Main			January 22, 2023

Drawn:	Scale:
Trench Tai	N.T.S.
	January 22, 2023

Sp-2 (of 5)

pipeSupport.skp...:\cad\1994StJoseph\WaterMain\waterMain.layout




3.1) Section 1

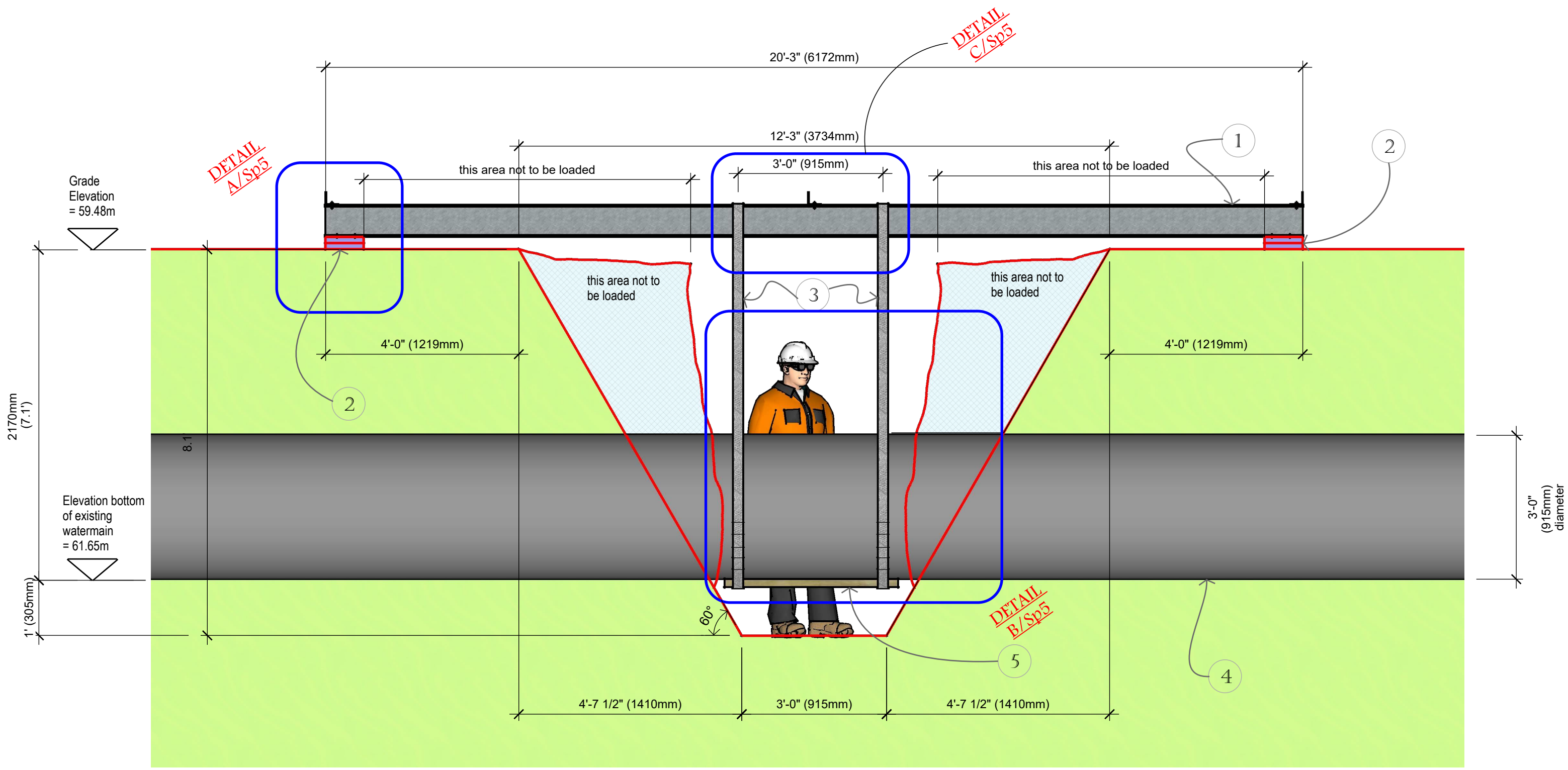


#11-300 Earl Grey Drive, Suite 213, Ottawa, Ontario, Canada K2T 1C1
 Tel: 613-302-8972 Email: daidogroup@gmail.com
 Web Site: <https://daidogroup.wixsite.com/daido>



Project: 1994 St. Joseph Blvd., Ottawa, Ontario Temporary support of Water Main	Title: Section 1	Drawn: Trench Tai	Scale: 1/2" = 1'-0"  January 22, 2023	<u>Sp-3</u> (of 5)
---	---------------------	----------------------	---	--------------------

pipeSupport.skp...c:\cad\1994StJoseph\WaterMain\waterMain.layout



4.1) Section 2



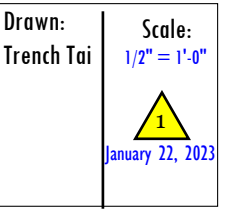
#11-300 Earl Grey Drive, Suite 213, Ottawa, Ontario, Canada K2T 1C1
 Tel: 613-302-8972 Email: daidogroup@gmail.com
 Web Site: <https://daidogroup.wixsite.com/daido>



1994 St. Joseph, Ottawa, Ontario
 Temporary Support of Water Main
 January 22, 2023

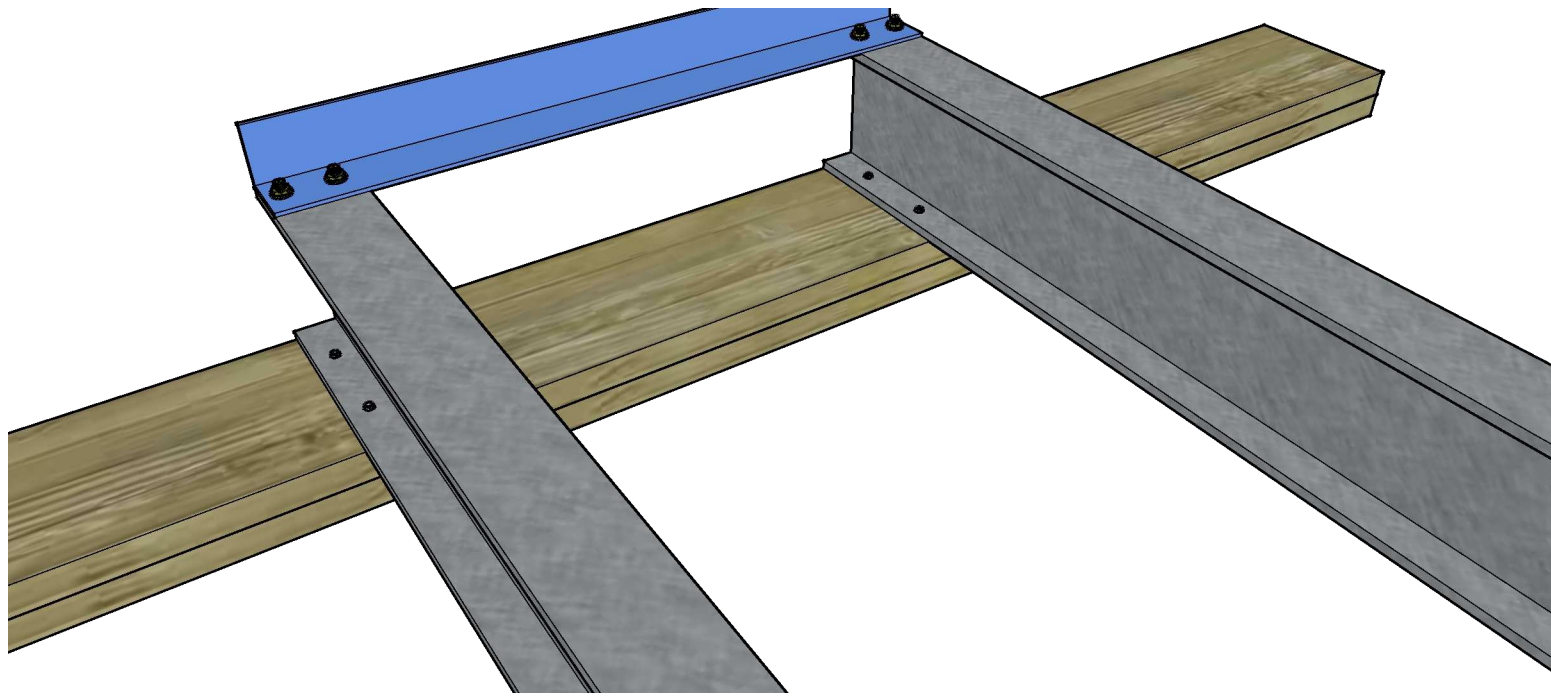
Project:	Title:
1994 St. Joseph Blvd., Ottawa, Ontario	Section 2
Temporary support of Water Main	

Drawn:	Scale:
Trench Tai	1/2" = 1'-0"
	January 22, 2023

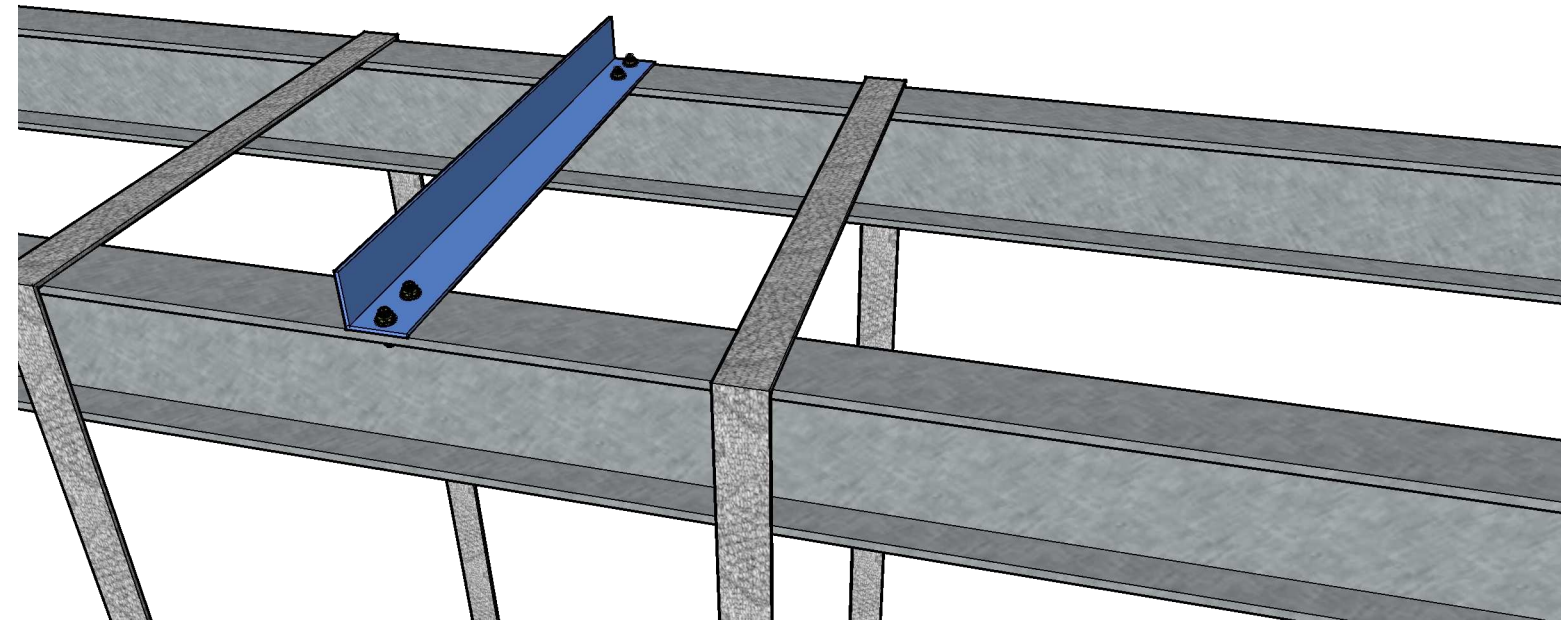


Sp-4 (of 5)

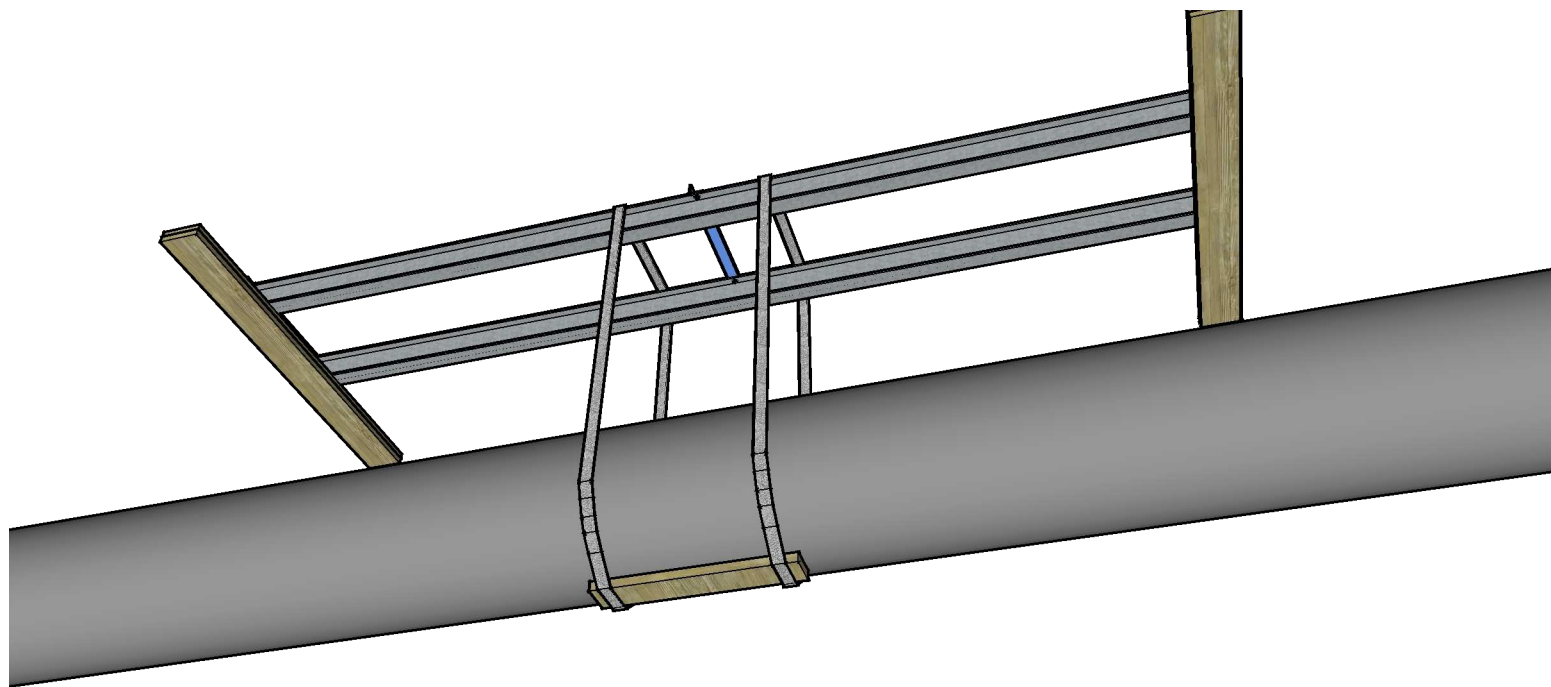
pipeSupport.skp....c:\cad\1994StJoseph\WaterMain\waterMain.layout



5.1) 3d illustate connection detail~(A)



5.3) 3d illustate connection detail~(C)



5.2) 3d illustate connection detail~ (B)

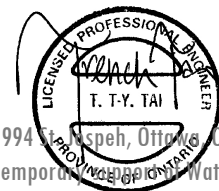
1	Temporary steel beam = 2 pieces of W200x22, c/w (4)-12mm dia. lag screws each end. Tie the 2 beams with 76x76x6L at mid-span and at each end, (4)-12mm dia. A325 bolts each end, or welded to prevent beam rotation
2	Temporary (2)-38x235 to spread the loads
3	Nylon Strap to meet the requirements of the O.H.S.A. Each strap carries basket hitch load of 3200 pound (14.3 kN), based on factor of safety of 2.0 Submit the specifications of the strap to the Engineer for review
4	Existing 36" (915mm) diameter water main pipe
5	50x200 hardwood support

5.4) Legend

Note:
Elevations and diameter of pipe were supplied to us by the project manager. Verify the information is correct before construction. Inform the Engineer if any of the information supplied to us is not the same as what's shown on this drawing



#11-300 Earl Grey Drive, Suite 213, Ottawa, Ontario, Canada K2T 1C1
Tel: 613-302-8972 Email: daidogroup@gmail.com
Web Site: <https://daidogroup.wixsite.com/daido>



1994 St. Joseph, Ottawa, Ontario
Temporary support of Water Main
January 22, 2023

Project:
1994 St. Joseph Blvd., Ottawa, Ontario
Temporary support of Water Main

Title:
~ 3d illustrate connection details
~ Legend

Drawn:
Trench Tai
Scale:
N.T.S.
January 22, 2023

Sp-5 (of 5)