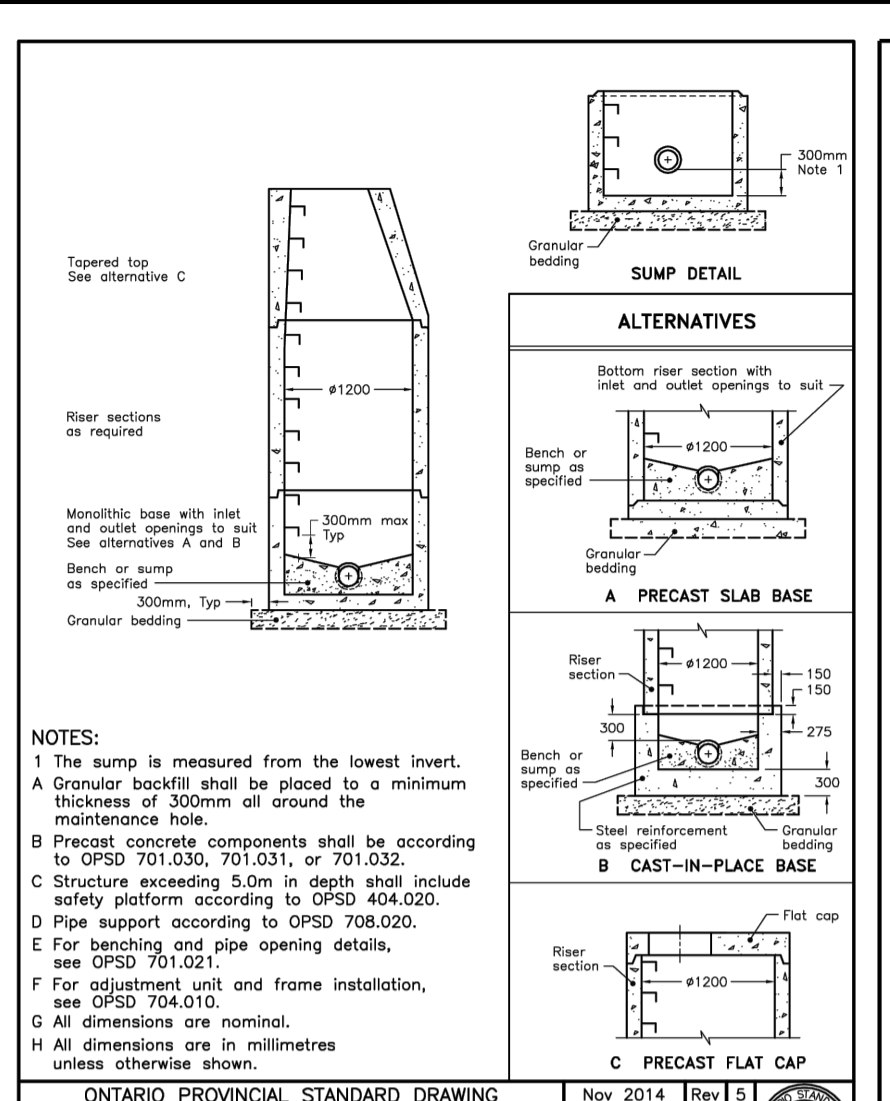


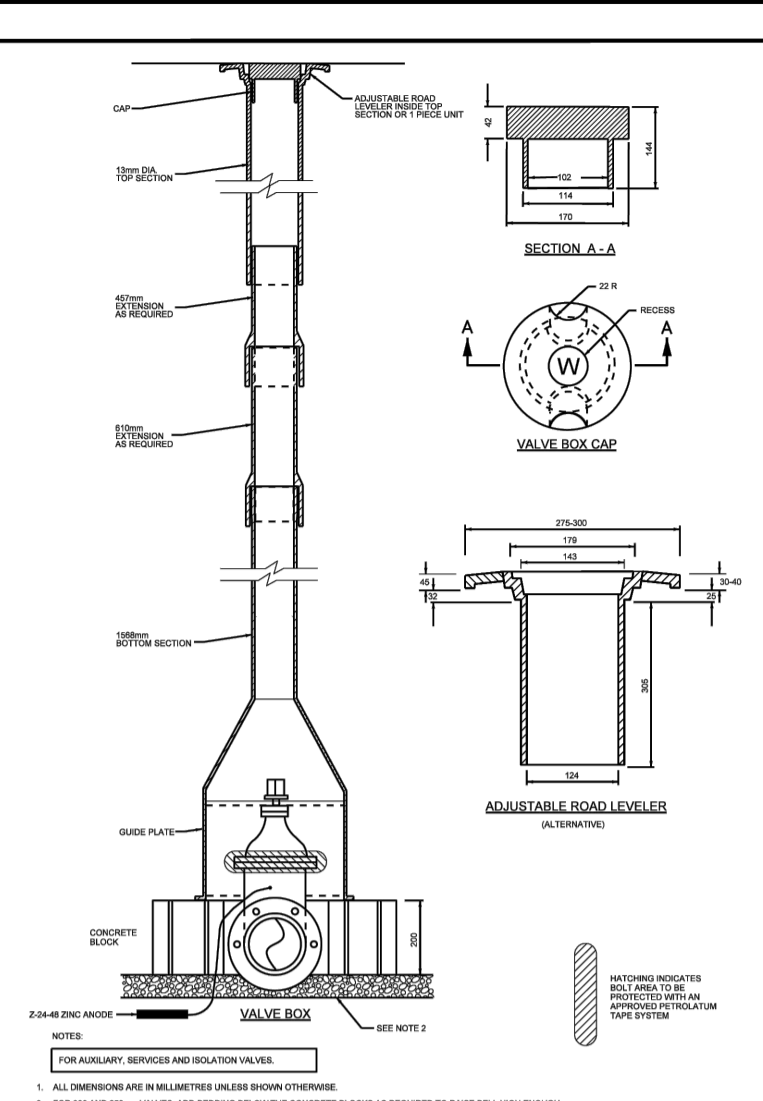
SEWER SERVICE CONNECTIONS FOR RIGID MAIN SEWER PIPE (MODIFIED OPSD-1006.010)

DATE: MAR 2008
REV: MAR 2024
DWG No.: S11



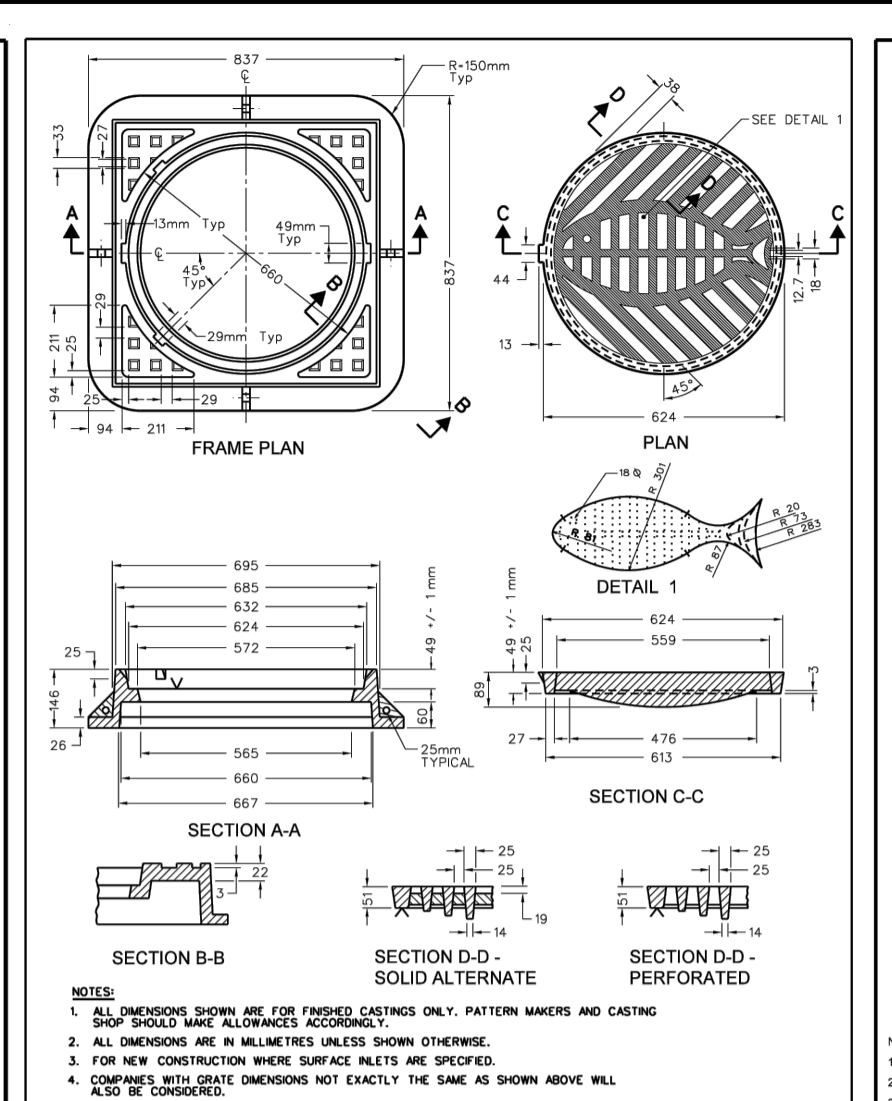
PRECAST CONCRETE MAINTENANCE HOLE 1200mm DIAMETER

DATE: NOV 2014
REV: 1
DWG No.: OPSD 701.010



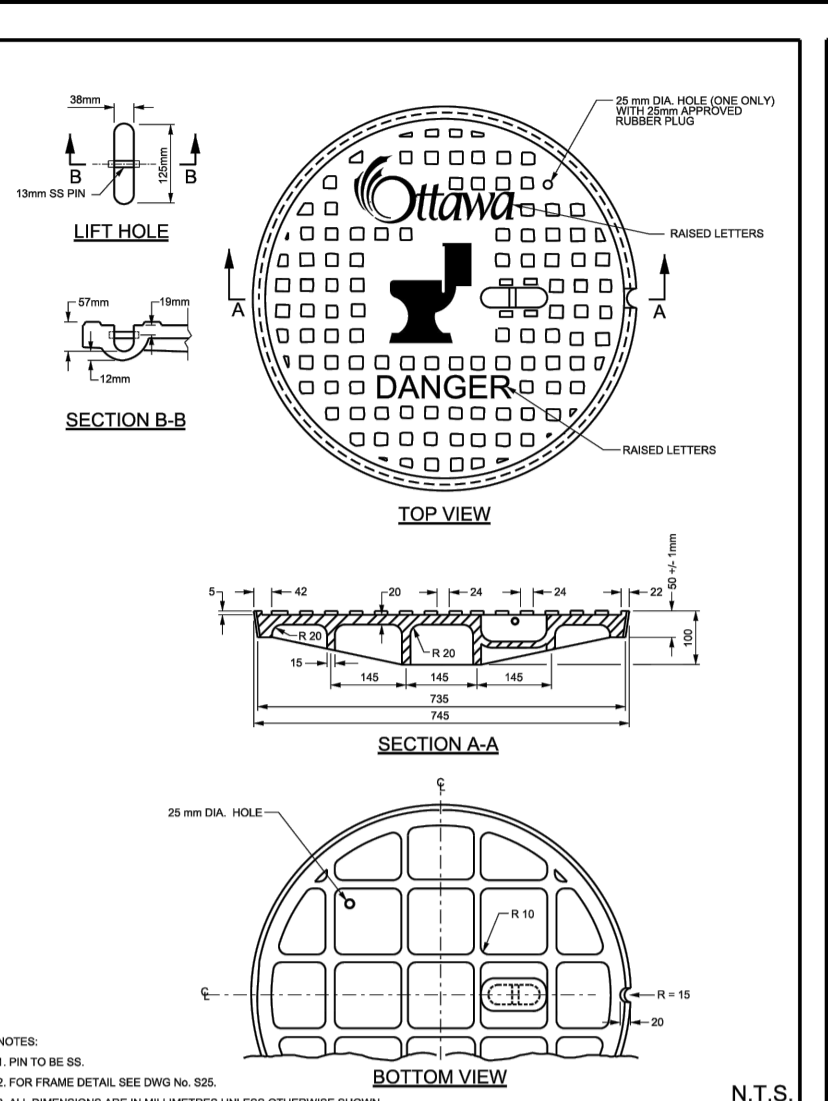
VALVE BOX ASSEMBLY

DATE: MAR 2009
REV: MAR 2009
DWG No.: H04



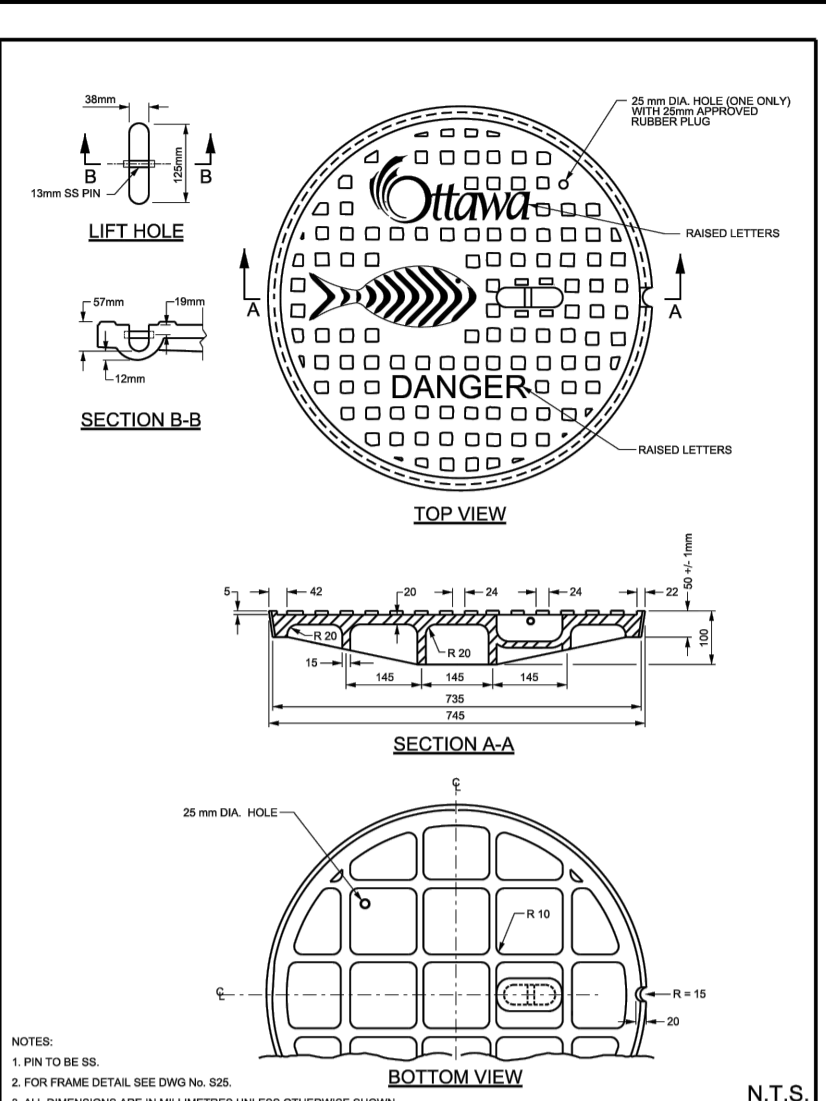
HEAVY DUTY "FISH" TYPE ROUND CATCH BASIN COVER (MODIFIED OPSD-400.07)

DATE: MAR 2009
REV: MAR 2009
DWG No.: S19



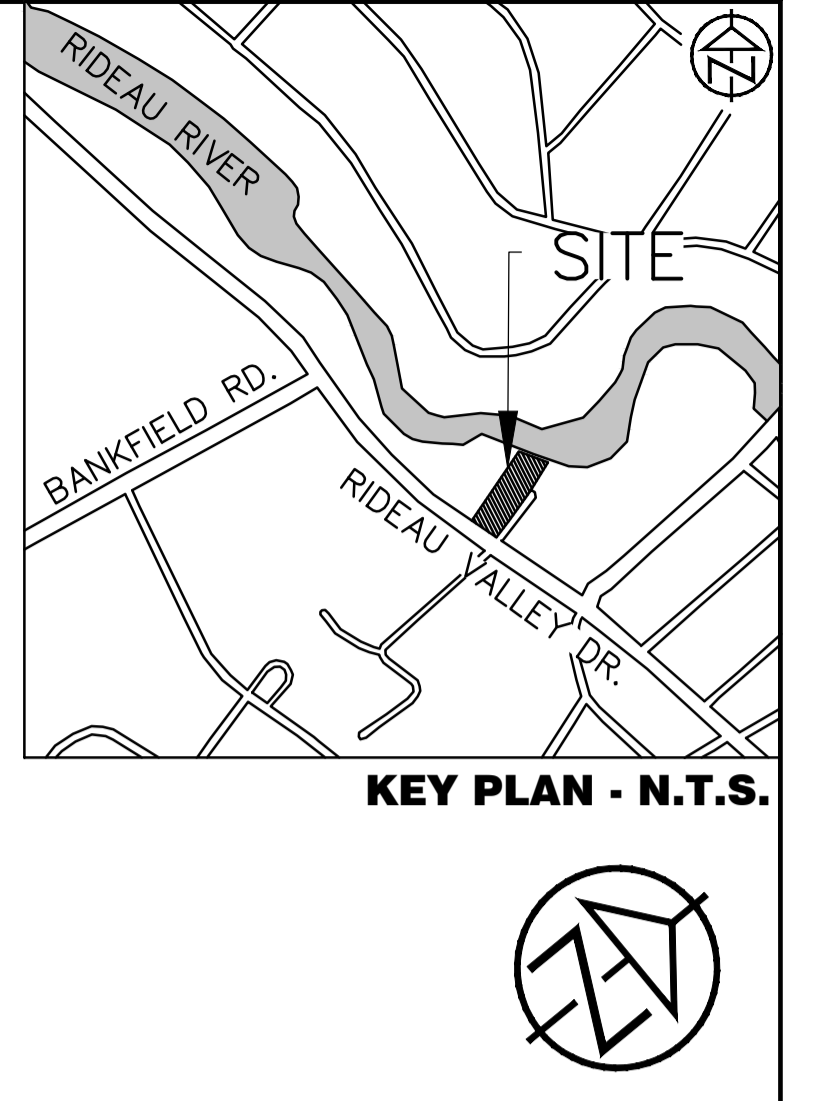
STANDARD CIRCULAR SANITARY & COMBINED MAINTENANCE HOLE COVER

DATE: MAR 2009
REV: MAR 2009
DWG No.: S24

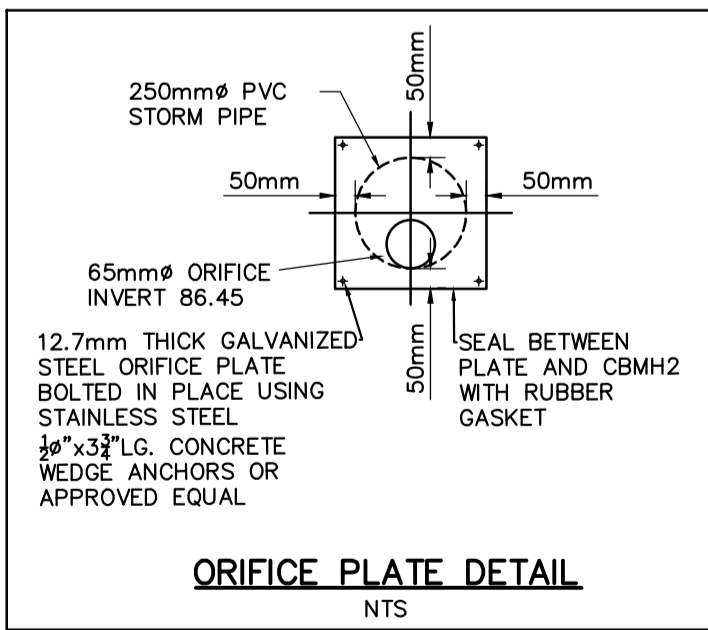
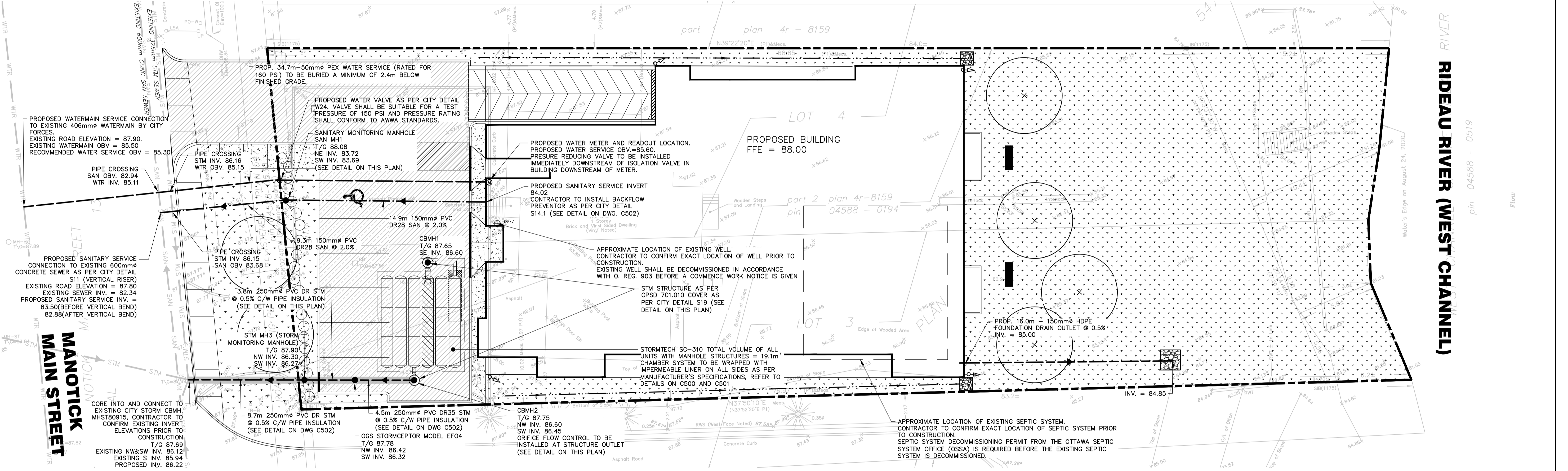


STANDARD CIRCULAR STORM MAINTENANCE HOLE COVER

DATE: MAR 2009
REV: MAR 2009
DWG No.: S24.1



KEY PLAN - N.T.S.



MANHOLE TABLE

STORM		
MH Number	Size	Cover
CBMH1	1200mm	S19
CBMH2	1200mm	S19
STM MH3	1200mm	S24.1
SANITARY		
MH Number	Size	Cover
SAN MH1	1200mm	S24



DISCLAIMER AND COPYRIGHT

CONTRACTOR MUST VERIFY ALL DIMENSIONS AND BE RESPONSIBLE FOR SAME. ANY DISCREPANCIES MUST BE REPORTED TO THE ENGINEER BEFORE COMMENCING WORK. DRAWINGS ARE NOT TO BE SCALED.

TATHAM ENGINEERING LIMITED CLAIMS COPYRIGHT TO THIS DRAWING WHICH MAY NOT BE USED FOR ANY PURPOSE OTHER THAN THAT PROVIDED IN THE CONTRACT BETWEEN THE OWNER/CLIENT AND THE ENGINEER WITHOUT THE EXPRESS CONSENT OF TATHAM ENGINEERING LIMITED.

SURVEY

TOPOGRAPHIC SURVEY WAS COMPLETED BY ANNIS, O'SULLIVAN, VOLLEBEKK LTD. ONTARIO LAND SURVEYORS, DATED JULY 26, 2022. ELEVATIONS SHOWN AREA GEODETIC AND ARE REFERRED TO THE CGVD28 GEODETIC DATUM.

NOTE: TOP OF CB GRATE LOCATED ON SOUTH SIDE OF SITE ENTRANCE, ELEVATION 87.69.

No.	REVISION DESCRIPTION	DATE	ENGINEER STAMP
1.	ISSUED FOR SPA	JULY, 2023	
2.	RE-ISSUED FOR SPA	MAY, 2024	
3.	RE-ISSUED FOR SPA	OCT, 2024	

5497 MANOTICK MAIN ST. CITY OF OTTAWA

SITE SERVICING PLAN

DESIGN: HY FILE: 522679 DWG: **C300**

DRAWN: HY DATE: JULY 2023

CHECK: GC SCALE: 1:150

TATHAM ENGINEERING

DESIGN: HY FILE: 522679 DWG: **C300**

DRAWN: HY DATE: JULY 2023

CHECK: GC SCALE: 1:150