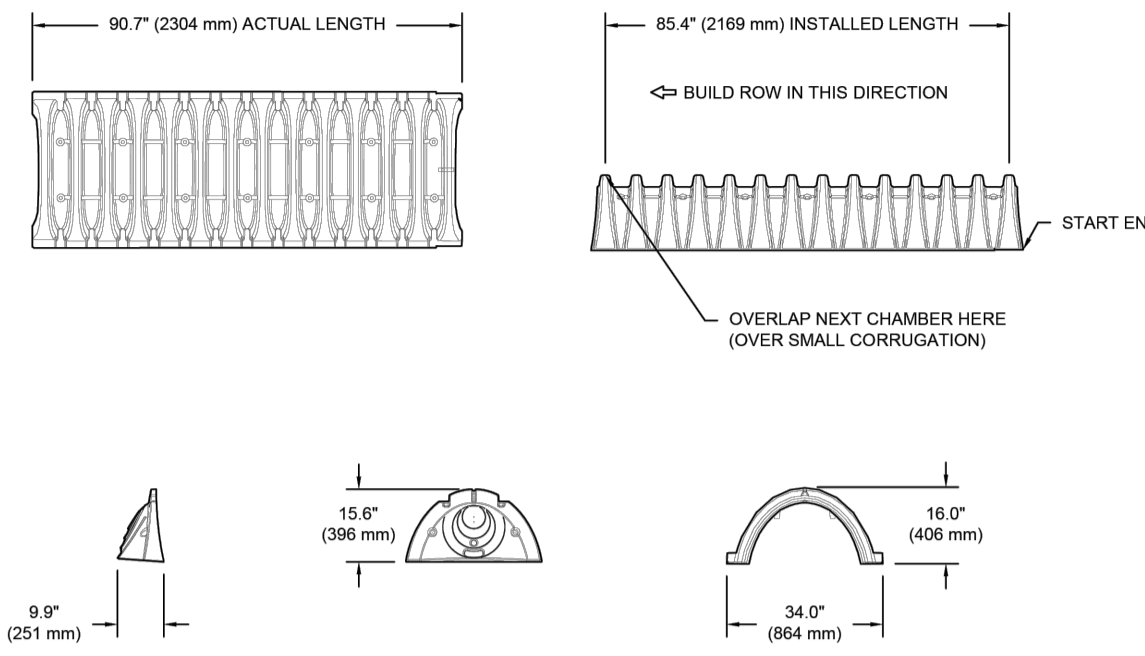
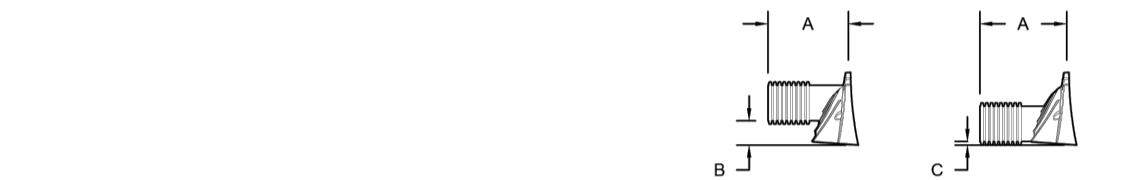


SC-310 TECHNICAL SPECIFICATION
NTS



NOMINAL CHAMBER SPECIFICATIONS

SIZE (W X H X INSTALLED LENGTH)	34.0" X 16.0" X 85.4"	(864 mm X 406 mm X 2169 mm)
CHAMBER STORAGE	14.7 CUBIC FEET	(0.42 m³)
MINIMUM INSTALLED STORAGE*	33.0 CUBIC FEET	(0.98 m³)
WEIGHT	35.0 lbs	(16.8 kg)



PRE-FAB STUB AT BOTTOM OF END CAP WITH FLAMP END WITH "B"
 PRE-FAB STUBS AT BOTTOM OF END CAP FOR PART NUMBERS ENDING WITH "B"
 PRE-FAB STUBS AT TOP OF END CAP FOR PART NUMBERS ENDING WITH "T"
 PRE-CORED END CAPS END WITH "PC"

PART #	STUB	A	B	C
SC310EP08T / SC310EP08PC	8" (200 mm)	9.6" (244 mm)	5.6" (147 mm)	---
SC310EP08B / SC310EP08BPC	8" (200 mm)	9.6" (244 mm)	---	0.5" (13 mm)
SC310EP08T / SC310EP08PC	8" (200 mm)	11.9" (302 mm)	3.5" (89 mm)	---
SC310EP08B / SC310EP08BPC	8" (200 mm)	11.9" (302 mm)	---	0.6" (15 mm)
SC310EP10T / SC310EP10PC	10" (250 mm)	12.7" (323 mm)	1.4" (36 mm)	---
SC310EP10B / SC310EP10BPC	10" (250 mm)	12.7" (323 mm)	---	0.7" (18 mm)
SC310ECEZ*	12" (300 mm)	13.5" (343 mm)	---	0.9" (23 mm)

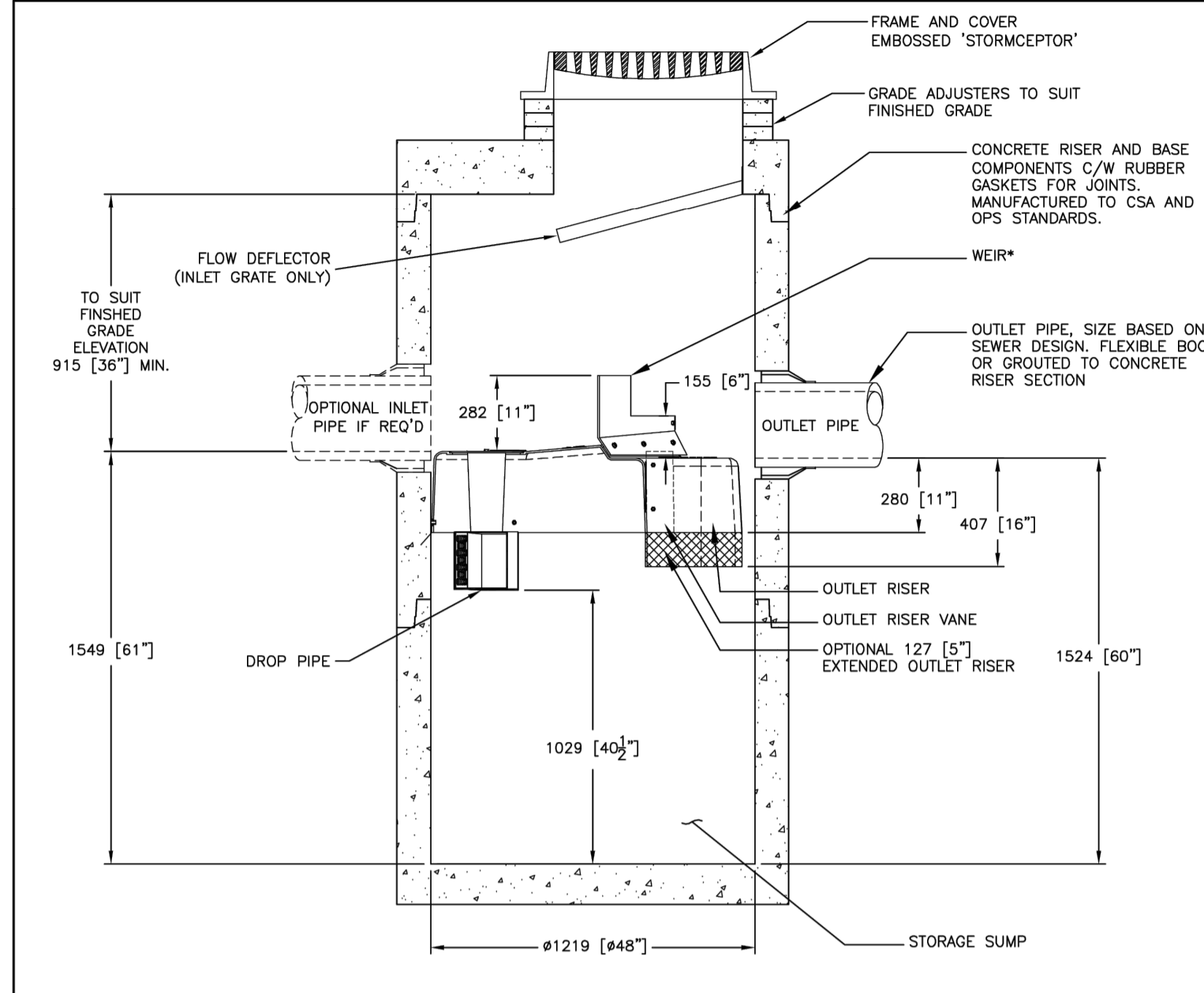
ALL STUBS, EXCEPT FOR THE SC310ECEZ ARE PLACED AT BOTTOM OF END CAP SUCH THAT THE OUTSIDE DIAMETER OF THE STUB IS FLUSH WITH THE BOTTOM OF THE END CAP. FOR ADDITIONAL INFORMATION CONTACT STORMTECH AT 1-888-892-2894.
 * FOR THE SC310ECEZ THE 12" (300 mm) STUB LIES BELOW THE BOTTOM OF THE END CAP APPROXIMATELY 0.25" (6 mm). BACKFILL MATERIAL SHOULD BE REMOVED FROM BELOW THE N-12 STUB SO THAT THE FITTING SITS LEVEL.
 NOTE: ALL DIMENSIONS ARE NOMINAL

StormTech Chamber System

4440 TRULAMAN BLVD
HILLIARD, OH 43026
1-800-333-2473

5497 MANOTICK
OTTAWA, ON CANADA
DATE: _____ DRAWN: HY
PROJECT # _____ CHECKED: MA
DESCRIPTION _____

SHEET 5 OF 6

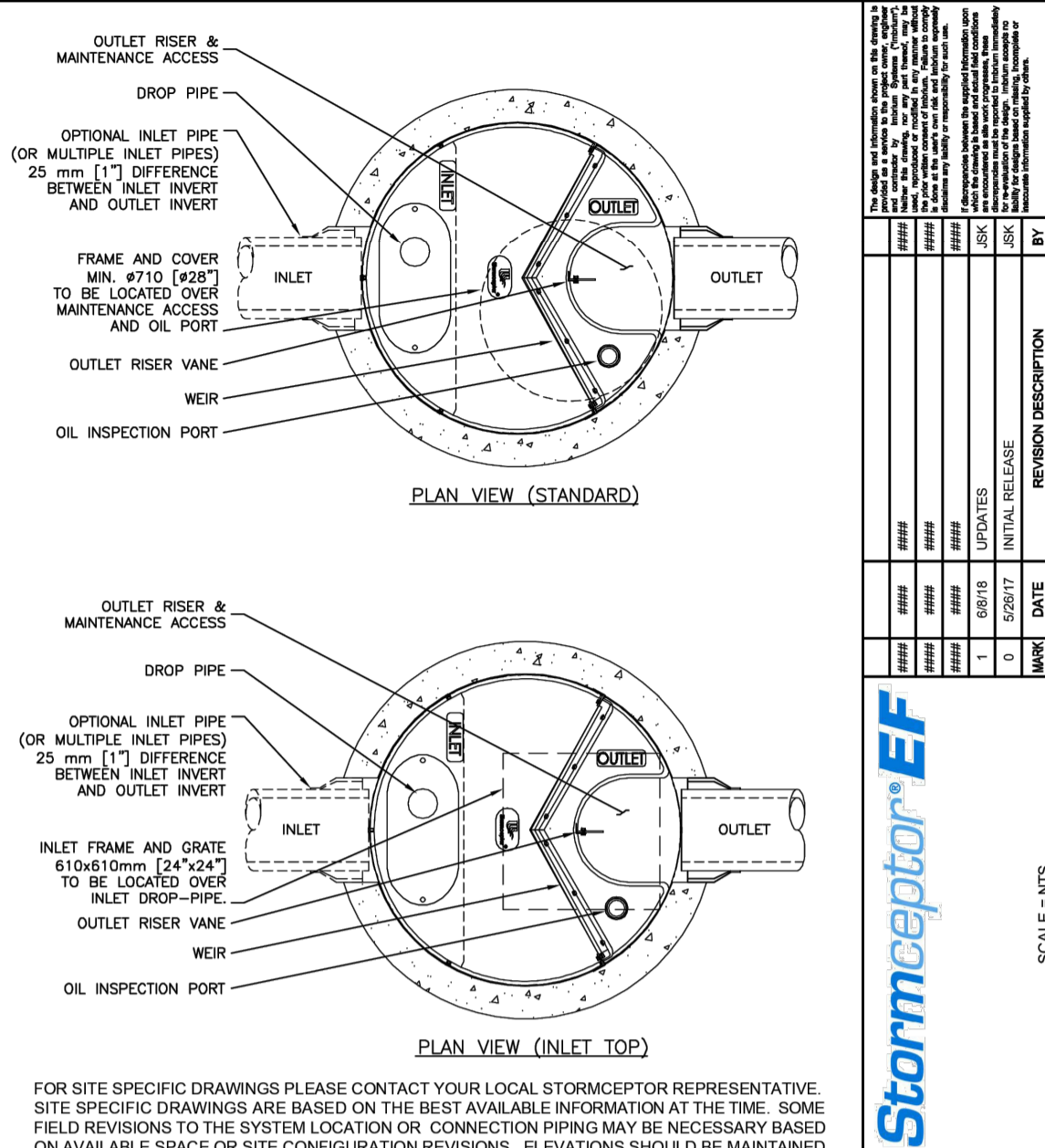


GENERAL NOTES:

- MAXIMUM SURFACE LOADING RATE (SLR) INTO LOWER CHAMBER THROUGH DROP PIPE IS 1135 (mm/m²) (7.8 (gpm/ft²)) FOR STORMCEPTOR EFO4 AND 535 (mm/m²) (3.1 (gpm/ft²)) FOR STORMCEPTOR EFO4 (OIL CAPTURE CONFIGURATION). WEIR HEIGHT IS 150 mm (6 INCH) FOR EFO4.
- ALL DIMENSIONS INDICATED ARE IN MILLIMETERS (INCHES) UNLESS OTHERWISE SPECIFIED.
- STORMCEPTOR STRUCTURE INLET AND OUTLET PIPE SIZE AND ORIENTATION SHOWN FOR INFORMATIONAL PURPOSES ONLY.
- UNLESS OTHERWISE NOTED, BYPASS INFRASTRUCTURE, SUCH AS ALL UPSTREAM DIVERSION STRUCTURES, CONNECTING STRUCTURES, OR PIPE CONDUITS CONNECTING TO COMPLETE THE STORMCEPTOR SYSTEM SHALL BE PROVIDED AND ADDRESSED SEPARATELY.
- DRAWING FOR INFORMATION PURPOSES ONLY. REFER TO ENGINEERS SITE/UTILITY PLAN FOR STRUCTURE ORIENTATION.
- NO PRODUCT SUBSTITUTIONS SHALL BE ACCEPTED UNLESS SUBMITTED 10 DAYS PRIOR TO PROJECT BID DATE, OR AS DIRECTED BY THE ENGINEER OF RECORD.

INSTALLATION NOTES:

- ANY SUB-BASE, BACKFILL DEPTH, AND/OR ANTI-FLOTATION PROVISIONS ARE SITE-SPECIFIC DESIGN CONSIDERATIONS AND SHALL BE SPECIFIED BY ENGINEER OF RECORD.
- CONTRACTOR TO PROVIDE EQUIPMENT WITH SUFFICIENT LIFTING AND REACH CAPACITY TO LIFT AND SET THE STRUCTURE (LIFTING CLUTCHES PROVIDED).
- CONTRACTOR WILL INSTALL AND LEVEL THE STRUCTURE, SEALING THE JOINTS, LINE ENTRY AND EXIT POINTS NON-SHRINK GROUT WITH APPROVED WATERSTOP OR FLEXIBLE BOOT.
- CONTRACTOR TO TAKE APPROPRIATE MEASURES TO PROTECT THE DEVICE FROM CONSTRUCTION-RELATED EROSION RUNOFF.
- DEVICE ACTIVATION, BY CONTRACTOR, SHALL OCCUR ONLY AFTER SITE HAS BEEN STABILIZED AND THE STORMCEPTOR UNIT IS CLEAN AND FREE OF DEBRIS.



SITE SPECIFIC DATA REQUIREMENTS

STORMCEPTOR MODEL	EFO4
STRUCTURE ID	*
HYDROCARBON STORAGE REQ'D (L)	*
WATER QUALITY FLOW RATE (L/s)	*
PEAK FLOW RATE (L/s)	*
RETURN PERIOD OF PEAK FLOW (yrs)	*
DRAINAGE AREA (HA)	*
DRAINAGE AREA IMPERVIOUSNESS (%)	*
PIPE DATA: I.E. MATL. DIA. SLOPE % HGL	*
INLET #1	* * * * *
INLET #2	* * * * *
OUTLET	* * * * *

* PER ENGINEER OF RECORD

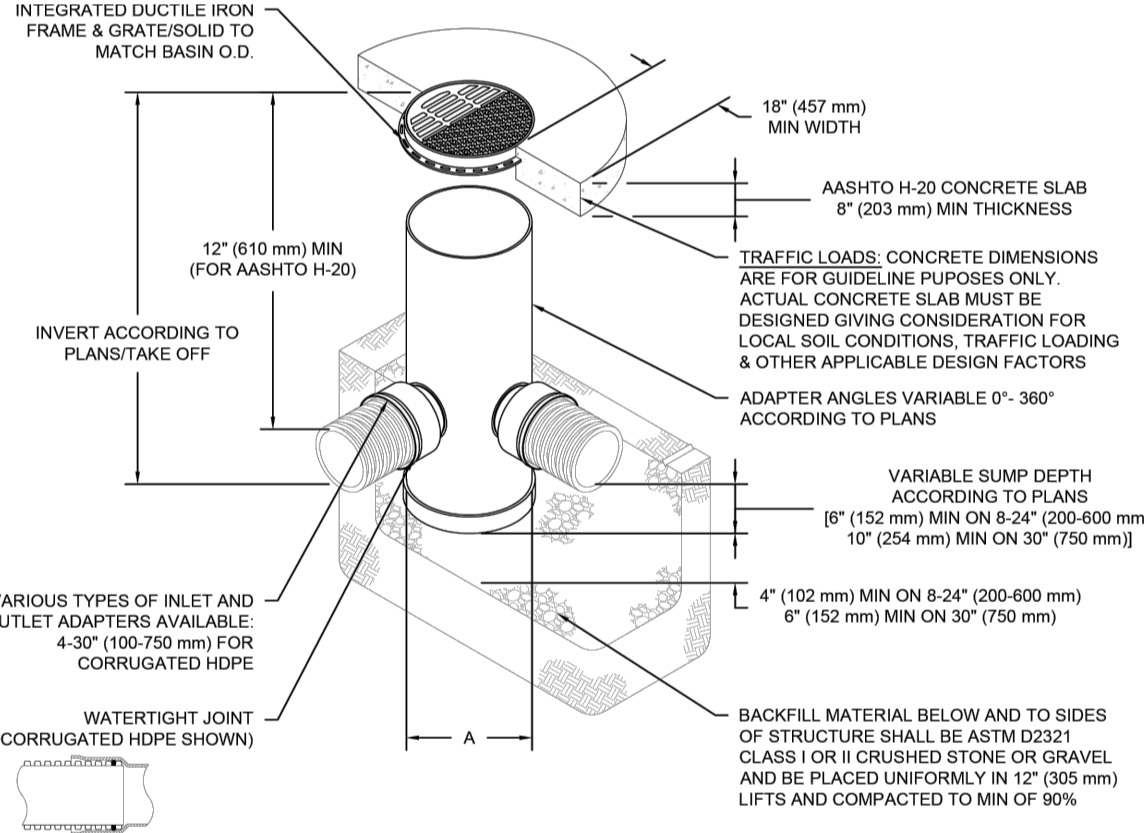
Stormceptor EF

imbrum

10/13/2017

DESIGNED: JSK
CHECKED: BSF
PROJECT NO: EFO4
SHEET: 1 OF 1

NYLOPLAST DRAIN BASIN
NTS



- NOTES**
- 8-3/4" (200-750 mm) GRATES/SOLID COVERS SHALL BE DUCTILE IRON PER ASTM A538 GRADE 70-50-05
 - 12-3/4" (300-750 mm) FRAMES SHALL BE DUCTILE IRON PER ASTM A538 GRADE 70-50-05
 - DRAIN BASIN TO BE CUSTOM MANUFACTURED ACCORDING TO PLAN DETAILS
 - DRAINAGE CONNECTION STUB JOINT TIGHTNESS SHALL CONFORM TO ASTM D3212 FOR CORRUGATED HDPE ADS & HANCOR DUAL WALLS & SDR 35 PVC
 - FOR COMPLETE DESIGN AND PRODUCT INFORMATION: WWW.NYLOPLAST-US.COM
 - TO ORDER CALL: 800-821-8710

A	PART #	GRATE/SOLID COVER OPTIONS
8"	2808AG	PEDESTRIAN LIGHT DUTY STANDARD LIGHT DUTY SOLID LIGHT DUTY
10"	2810AG	PEDESTRIAN LIGHT DUTY STANDARD LIGHT DUTY SOLID LIGHT DUTY
12"	2812AG	PEDESTRIAN AASHTO H-10 STANDARD AASHTO H-20 SOLID AASHTO H-20
15"	2815AG	PEDESTRIAN AASHTO H-10 STANDARD AASHTO H-20 SOLID AASHTO H-20
18"	2818AG	PEDESTRIAN AASHTO H-10 STANDARD AASHTO H-20 SOLID AASHTO H-20
24"	2824AG	PEDESTRIAN AASHTO H-10 STANDARD AASHTO H-20 SOLID AASHTO H-20
30"	2830AG	PEDESTRIAN AASHTO H-20 STANDARD AASHTO H-20 SOLID AASHTO H-20

Nyloplast

4440 TRULAMAN BLVD
HILLIARD, OH 43026
1-800-333-2473

5497 MANOTICK
OTTAWA, ON CANADA
DATE: _____ DRAWN: HY
PROJECT # _____ CHECKED: MA
DESCRIPTION _____

SHEET 6 OF 6

DISCLAIMER AND COPYRIGHT

CONTRACTOR MUST VERIFY ALL DIMENSIONS AND BE RESPONSIBLE FOR SAME. ANY DISCREPANCIES MUST BE REPORTED TO THE ENGINEER BEFORE COMMENCING WORK. DRAWINGS ARE NOT TO BE SCALED.

TATHAM ENGINEERING LIMITED CLAIMS COPYRIGHT TO THIS DRAWING WHICH MAY NOT BE USED FOR ANY PURPOSE OTHER THAN THAT PROVIDED IN THE CONTRACT BETWEEN THE OWNER/CLIENT AND THE ENGINEER WITHOUT THE EXPRESS CONSENT OF TATHAM ENGINEERING LIMITED.

SURVEY

TOPOGRAPHIC SURVEY WAS COMPLETED BY ANNIS, O'SULLIVAN, VOLLEBECK LTD., ONTARIO LAND SURVEYORS, DATED JULY 26, 2022. ELEVATIONS SHOWN AREA GEODETIC AND ARE REFERRED TO THE GVD28 GEODETIC DATUM.

IBM: TOP OF CB GRATE LOCATED ON SOUTH SIDE OF SITE ENTRANCE, ELEVATION 87.69.

No.	REVISION DESCRIPTION	DATE	ENGINEER STAMP
1.	ISSUED FOR SPA	JULY, 2023	
2.	RE-ISSUED FOR SPA	MAY, 2024	

5497 MANOTICK MAIN ST. CITY OF OTTAWA	
DETAILS	

DESIGN: HY	FILE: 522679	DWG: C501
DRAWN: HY	DATE: JULY 2023	
CHECK: GC	SCALE:	

TATHAM ENGINEERING

© Urban/Spa/Details/Spa Stamp July 17, 2023 by