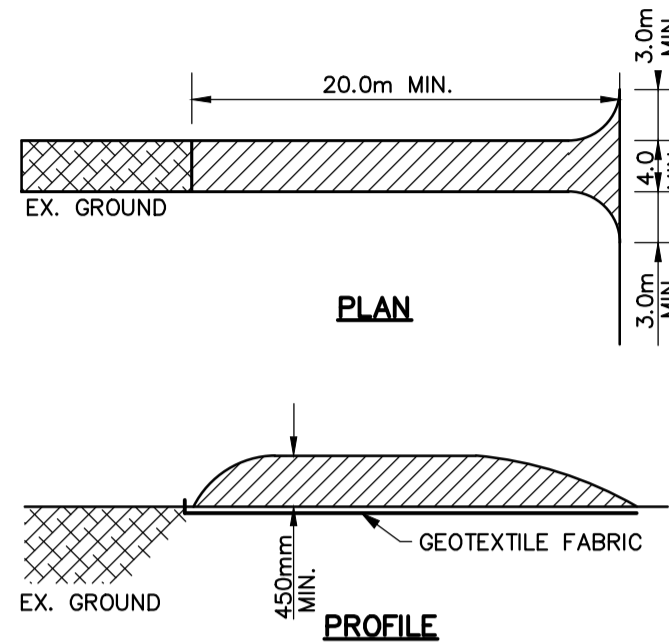


GENERAL NOTES

1. CONTRACTOR TO INSTALL AND MAINTAIN SILT FENCE AND STRAW BALE CHECK DAMS AT LOCATIONS SHOWN OR AS DIRECTED BY THE ENGINEER.
2. IF CONSTRUCTION IS INTERRUPTED AND/OR INACTIVITY EXCEEDS 30 DAYS, THEN STOCKPILED, STRIPPED OR EXPOSED AREAS MUST BE STABILIZED BY HYDROSEEDING AND ANY OTHER APPROPRIATE GEOTEXTILE MATERIAL, IF REQUIRED.
3. REMOVAL OF ALL SILT FENCES AND STRAW BALE CHECK DAMS AT THE END OF CONSTRUCTION TO BE APPROVED BY THE ENGINEER AFTER THE SITE HAS STABILIZED.
4. SILT FENCE TO OPSD 219.130 AND STRAW BALE CHECK DAM TO OPSD 219.180.
5. CLEARING OF VEGETATION AND TREE COVER IS TO OCCUR OUTSIDE OF BIRD BREEDING SEASON AS RECOMMENDED BY THE CITY OF OTTAWA'S PROTOCOL FOR WILDLIFE PROTECTION DURING CONSTRUCTION (APRIL 15 - AUGUST 15).
6. ALL SIDE SLOPES 3:1 OR GREATER ARE TO BE STABILIZED IMMEDIATELY WITH HYDROSEED (USING A NATIVE SEED MIX) UNLESS OTHERWISE NOTED. USE OF AN EROSION CONTROL BLANKET SUCH AS TERRAFIX S-100 (OR APPROVED EQUAL) IS RECOMMENDED IF CONSTRUCTION OCCURS OUTSIDE OF THE GROWING SEASON.



STONE SIZE - THE STONE PAD SHALL BE A MIN. 450mm THICK. USE 50#mm STONE OR RECLAIMED CONCRETE EQUIVALENT FOR FIRST 10m FROM ADJACENT ROAD & 150mm# STONE. FOR REMAINDER OF STONE PAD.

LENGTH - AS REQUIRED BUT NOT LESS THAN 20m.

WIDTH - 4m MIN. BUT NOT LESS THAN THE WIDTH AT POINTS WHERE INGRESS, AND EGRESS OCCURS. GEOTEXTILE FABRIC (TERRAFIX 270R OR EQUAL) WILL BE PLACED OVER THE ENTIRE AREA PRIOR TO PLACING STONE.

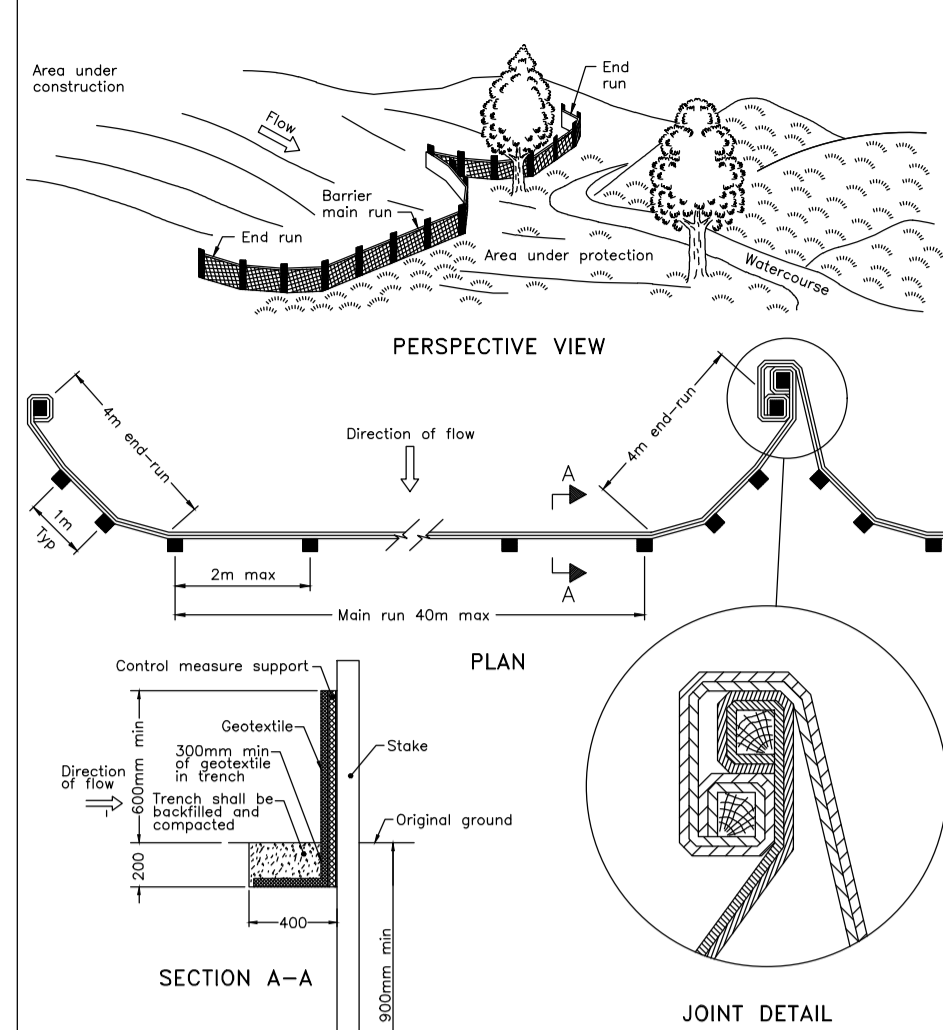
SURFACE WATER - ALL SURFACE WATER FLOWING OR DIRECTED TOWARD CONSTRUCTION ENTRANCES SHALL BE PIPED ACROSS THE ENTRANCE.

MAINTENANCE - THE CONTRACTOR SHALL MAINTAIN THE ENTRANCE IN A CONDITION WHICH WILL PREVENT TRACKING OR FLOWING OF SEDIMENT ONTO PUBLIC RIGHT-OF-WAY. THIS MAY REQUIRE PERIODIC DRESSING WITH ADDITIONAL STONE AS CONDITIONS DEMAND AND REPAIR AND/OR CLEANOUT OF ANY MEASURES USED TO TRAP SEDIMENT. ALL SEDIMENT SPILLED, DROPPED, WASHED OR TRACKED ONTO PUBLIC RIGHT-OF-WAY MUST BE REMOVED IMMEDIATELY BY THE CONTRACTOR. UPON OBSERVATION OF CONTINUOUS MUD TRACKING ONTO ADJACENT STREETS, THE STONE MAT IS TO BE FULLY REPLACED.

WASHING - WHEELS SHALL BE CLEANED TO REMOVE SEDIMENT PRIOR TO ENTRANCE ONTO PUBLIC RIGHT-OF-WAY. WHEN WASHING IS REQUIRED, IT SHALL BE DONE ON AN AREA STABILIZED WITH STONE AND WHICH DRAINS INTO AN APPROVED SEDIMENT TRAPPING DEVICE.

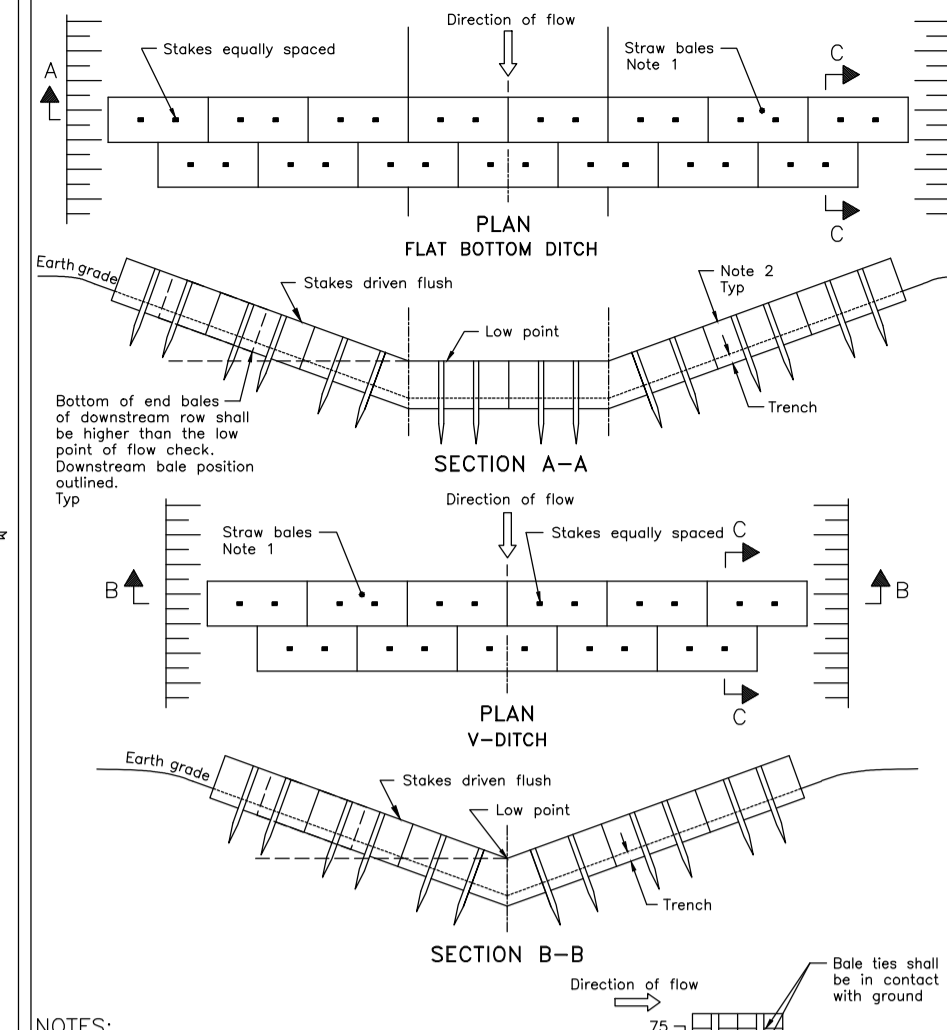
INSPECTION AND REQUIRED MAINTENANCE AFTER EACH RAIN SHALL BE PROVIDED BY THE CONTRACTOR.

STONE MUD MAT DETAIL
SCALE: N.T.S.



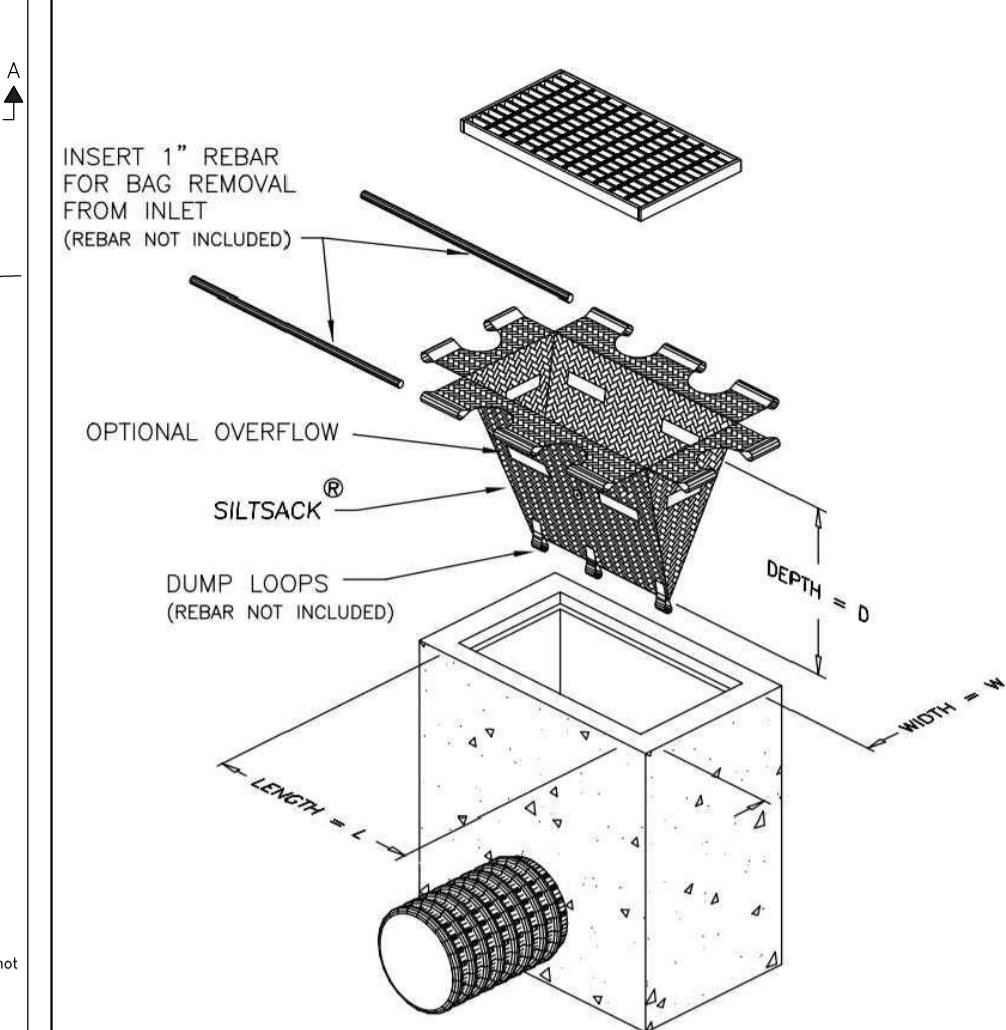
NOTE:
A All dimensions are in millimetres unless otherwise shown.

ONTARIO PROVINCIAL STANDARD DRAWING	Nov 2021	Rev 3
HEAVY-DUTY SILT FENCE BARRIER		
OPSD 219.130		



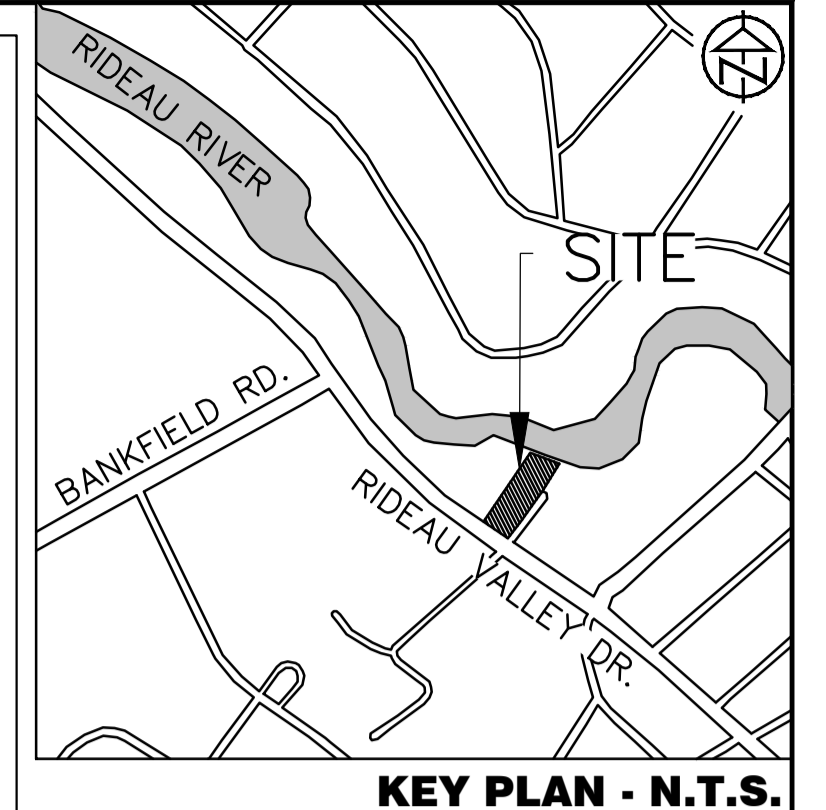
NOTES:
1. Number of bales varies and shall suit ditch.
2. Straw bales shall be butted lightly against adjoining bales and shaped to conform to the sides of the ditch to prevent water flow compacted through barrier.
A All dimensions are in millimetres unless otherwise shown.

ONTARIO PROVINCIAL STANDARD DRAWING	Nov 2015	Rev 2
STRAW BALE FLOW CHECK DAM		
OPSD 219.180		

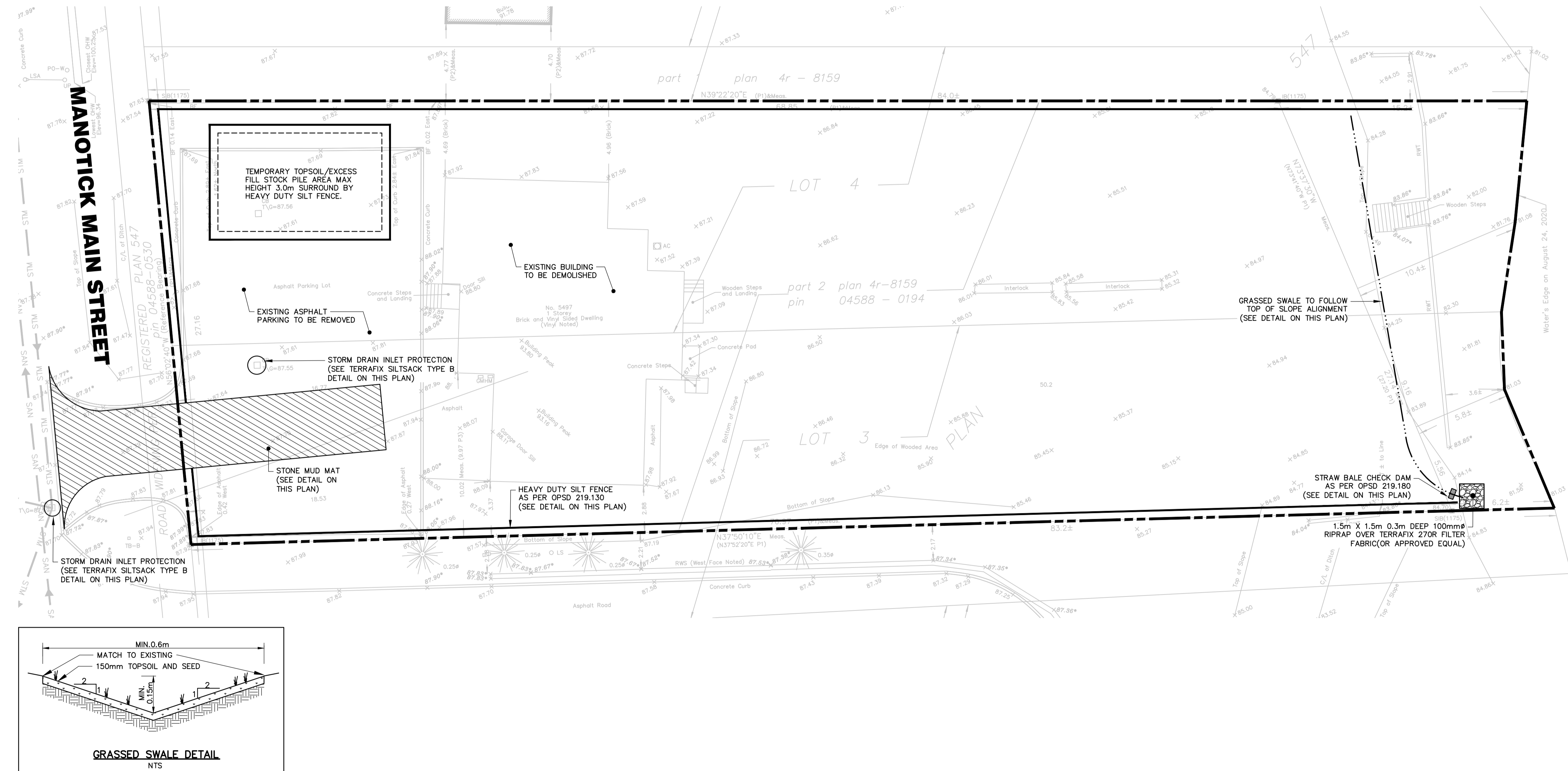


NOTE:
INSERT 1" REBAR FOR BAG REMOVAL FROM INLET (REBAR NOT INCLUDED)

TERRAFIX SILTSACK TYPE B
SCALE: N.T.S.



KEY PLAN - N.T.S.



MANOTICK MAIN STREET

547

REGISTERED PLAN 547

ROAD WIDENING

TEMPORARY TOPSOIL/EXCESS FILL STOCK PILE AREA MAX HEIGHT 3.0m SURROUND BY HEAVY DUTY SILT FENCE.

EXISTING BUILDING TO BE DEMOLISHED

EXISTING ASPHALT PARKING TO BE REMOVED

STORM DRAIN INLET PROTECTION (SEE TERRAFIX SILTSACK TYPE B DETAIL ON THIS PLAN)

STONE MUD MAT (SEE DETAIL ON THIS PLAN)

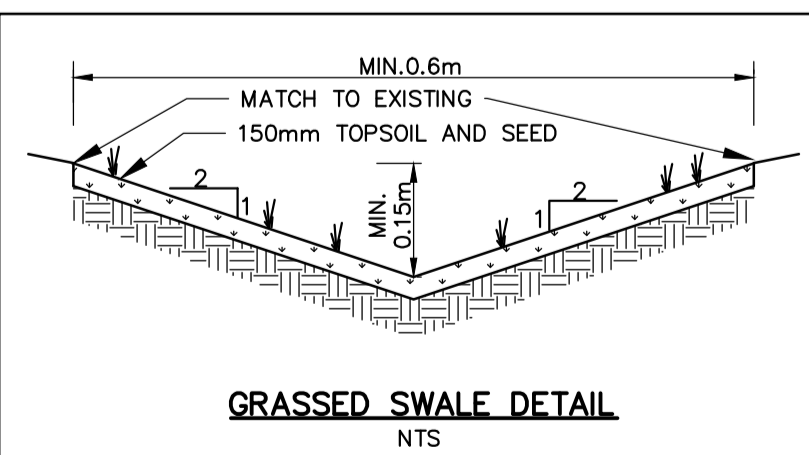
HEAVY DUTY SILT FENCE AS PER OPSD 219.130 (SEE DETAIL ON THIS PLAN)

GRASSED SWALE TO FOLLOW TOP OF SLOPE ALIGNMENT (SEE DETAIL ON THIS PLAN)

STRAW BALE CHECK DAM AS PER OPSD 219.180 (SEE DETAIL ON THIS PLAN)

1.5m X 1.5m 0.3m DEEP 100mm# RIPRAP OVER TERRAFIX 270R FILTER FABRIC (OR APPROVED EQUAL)

Water's Edge on August 24, 2020.

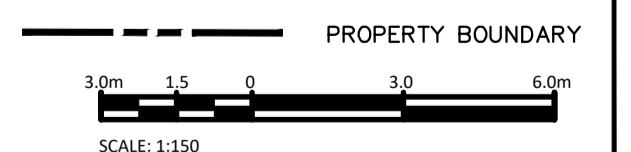


GRASSED SWALE DETAIL
NTS



RIDEAU RIVER (WEST CHANNEL)

LEGEND



DISCLAIMER AND COPYRIGHT

CONTRACTOR MUST VERIFY ALL DIMENSIONS AND BE RESPONSIBLE FOR SAME. ANY DISCREPANCIES MUST BE REPORTED TO THE ENGINEER BEFORE COMMENCING WORK. DRAWINGS ARE NOT TO BE SCALED.

TATHAM ENGINEERING LIMITED CLAIMS COPYRIGHT TO THIS DRAWING WHICH MAY NOT BE USED FOR ANY PURPOSE OTHER THAN THAT PROVIDED IN THE CONTRACT BETWEEN THE OWNER/CLIENT AND THE ENGINEER WITHOUT THE EXPRESS CONSENT OF TATHAM ENGINEERING LIMITED.

SURVEY

TOPOGRAPHIC SURVEY WAS COMPLETED BY ANNIS, O'SULLIVAN, VOLLEBEKK LTD, ONTARIO LAND SURVEYORS, DATED JULY 26, 2022. ELEVATIONS SHOWN AREA GEODETIC AND ARE REFERRED TO THE CGVD28 GEODETIC DATUM.

TM: TOP OF CB GRATE LOCATED ON SOUTH SIDE OF SITE ENTRANCE, ELEVATION 87.69.

No.	REVISION DESCRIPTION	DATE	ENGINEER STAMP
1.	ISSUED FOR SPA	JULY, 2023	
2.	RE-ISSUED FOR SPA	MAY, 2024	
3.	RE-ISSUED FOR SPA	OCT, 2024	

5497 MANOTICK MAIN ST.
CITY OF OTTAWA

SILTATION AND EROSION CONTROL PLAN



DESIGN: HY	FILE: 522679	DWG: C100
DRAWN: HY	DATE: JULY 2023	
CHECK: GC	SCALE: 1:150	