

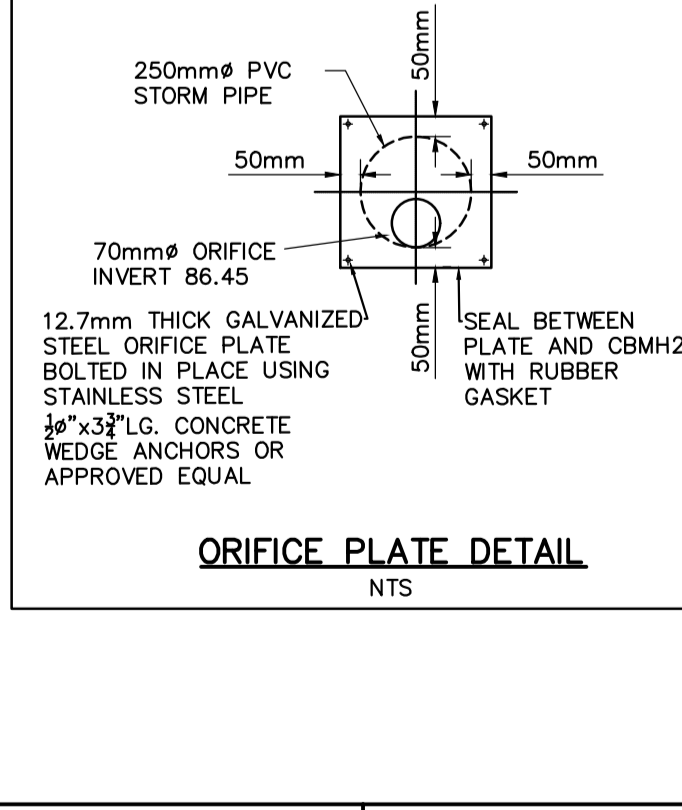
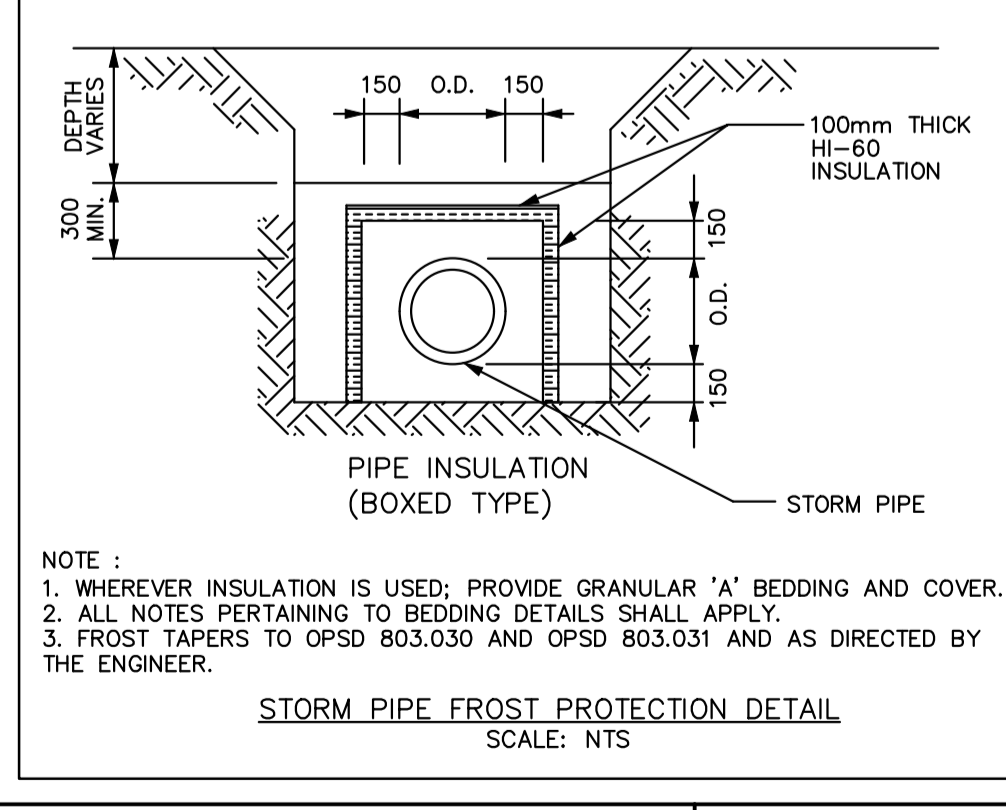
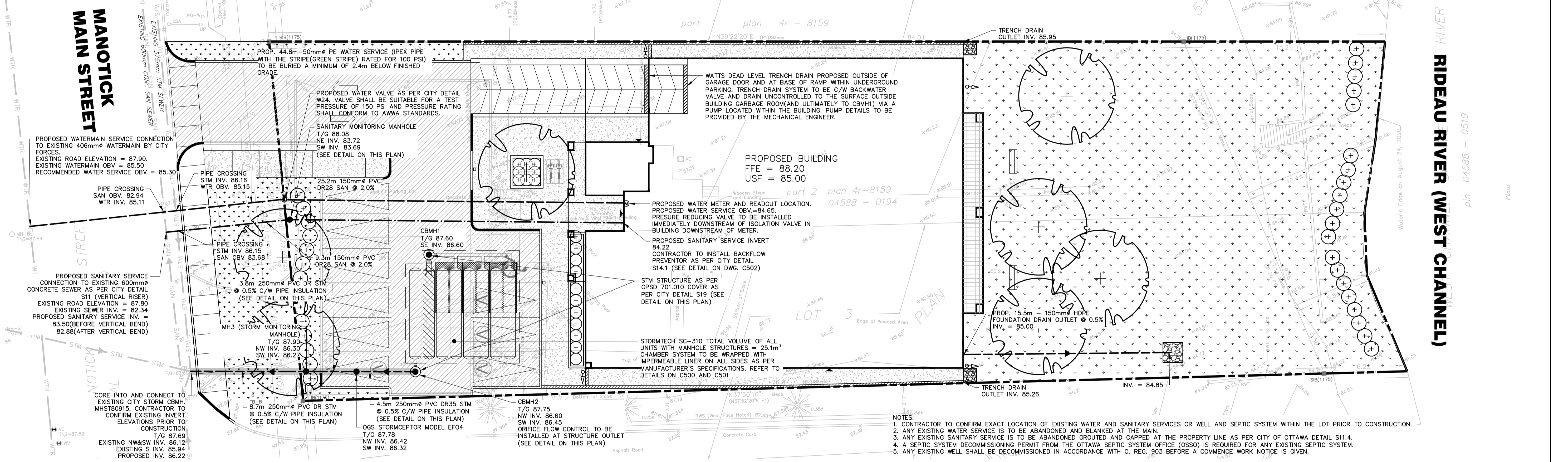
Ottawa	SEWER SERVICE CONNECTIONS FOR RIGID MAIN SEWER PIPE (MODIFIED OPSD-1006.010)	DATE: MARCH 2008	REVISED: MARCH 2014
		DATE: MARCH 2014	REVISED: MARCH 2014

Ottawa	PRECAST CONCRETE MAINTENANCE HOLE 1200mm DIAMETER	DATE: NOV 2014	REVISED: NOV 2014
		DATE: NOV 2014	REVISED: NOV 2014

Ottawa	VALVE BOX ASSEMBLY	DATE: MAY 2008	REVISED: MAY 2008
		DATE: MAY 2008	REVISED: MAY 2008

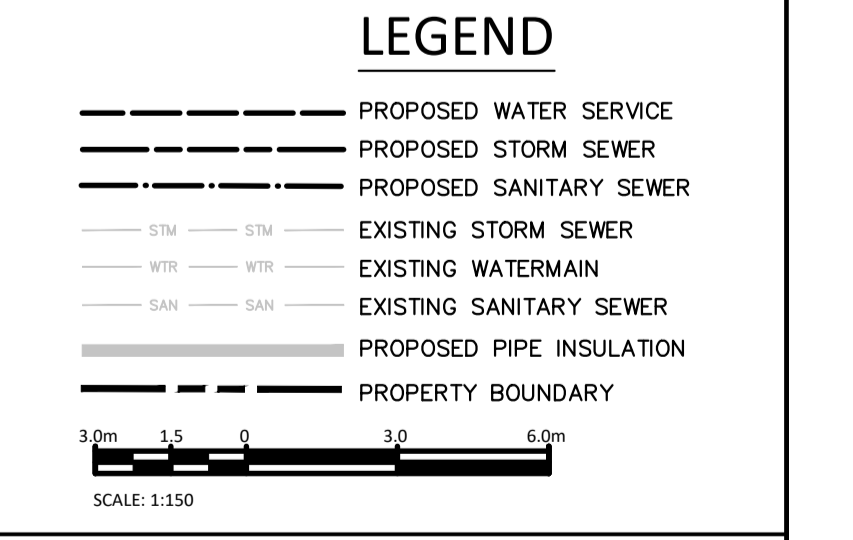
Ottawa	HEAVY DUTY "FISH" TYPE ROUND CATCH BASIN COVER (MODIFIED OPSD-400.07)	DATE: MAY 2008	REVISED: MAY 2008
		DATE: MAY 2008	REVISED: MAY 2008

Ottawa	SEWER SERVICE ABANDONMENT BENEATH PAVEMENT	DATE: MARCH 2011	REVISED: MARCH 2011
		DATE: MARCH 2011	REVISED: MARCH 2011



MANHOLE TABLE		
STORM		
MH Number	Size	Cover
CBMH1	1200mm	S19
CBMH2	1200mm	S19

No.	REVISION DESCRIPTION	DATE	ENGINEER STAMP
1.	ISSUED FOR SPA	JULY 2023	
2.	RE-ISSUED FOR SPA	MAY 2024	



DISCLAIMER AND COPYRIGHT
CONTRACTOR MUST VERIFY ALL DIMENSIONS AND BE RESPONSIBLE FOR SAME. ANY DISCREPANCIES MUST BE REPORTED TO THE ENGINEER BEFORE COMMENCING WORK. DRAWINGS ARE NOT TO BE SCALED.
TATHAM ENGINEERING LIMITED CLAIMS COPYRIGHT TO THIS DRAWING WHICH MAY NOT BE USED FOR ANY PURPOSE OTHER THAN THAT PROVIDED IN THE CONTRACT BETWEEN THE OWNER/CLIENT AND THE ENGINEER WITHOUT THE EXPRESS CONSENT OF TATHAM ENGINEERING LIMITED.

SURVEY
TOPOGRAPHIC SURVEY WAS COMPLETED BY ANNIS, O'SULLIVAN, VOLLEBEKK LTD. ONTARIO LAND SURVEYORS, DATED JULY 26, 2022. ELEVATIONS SHOWN ARE GEODETIC AND ARE REFERRED TO THE CGVD28 GEODETIC DATUM.
TBM: TOP OF CB GRATE LOCATED ON SOUTH SIDE OF SITE ENTRANCE, ELEVATION 87.69.

NOTES:
1. WHEREVER INSULATION IS USED, PROVIDE GRANULAR 'A' BEDDING AND COVER.
2. ALL NOTES PERTAINING TO BEDDING DETAILS SHALL APPLY.
3. FROST TAPERS TO OPSD 803.030 AND OPSD 803.031 AND AS DIRECTED BY THE ENGINEER.

DESIGN: HY	FILE: 522679	DWG: C300
DRAWN: HY	DATE: JULY 2023	
CHECK: GC	SCALE: 1:150	

5497 MANOTICK MAIN ST.
CITY OF OTTAWA

SITE SERVICING PLAN

TATHAM ENGINEERING

DESIGN: HY FILE: 522679 DWG: C300
DRAWN: HY DATE: JULY 2023
CHECK: GC SCALE: 1:150