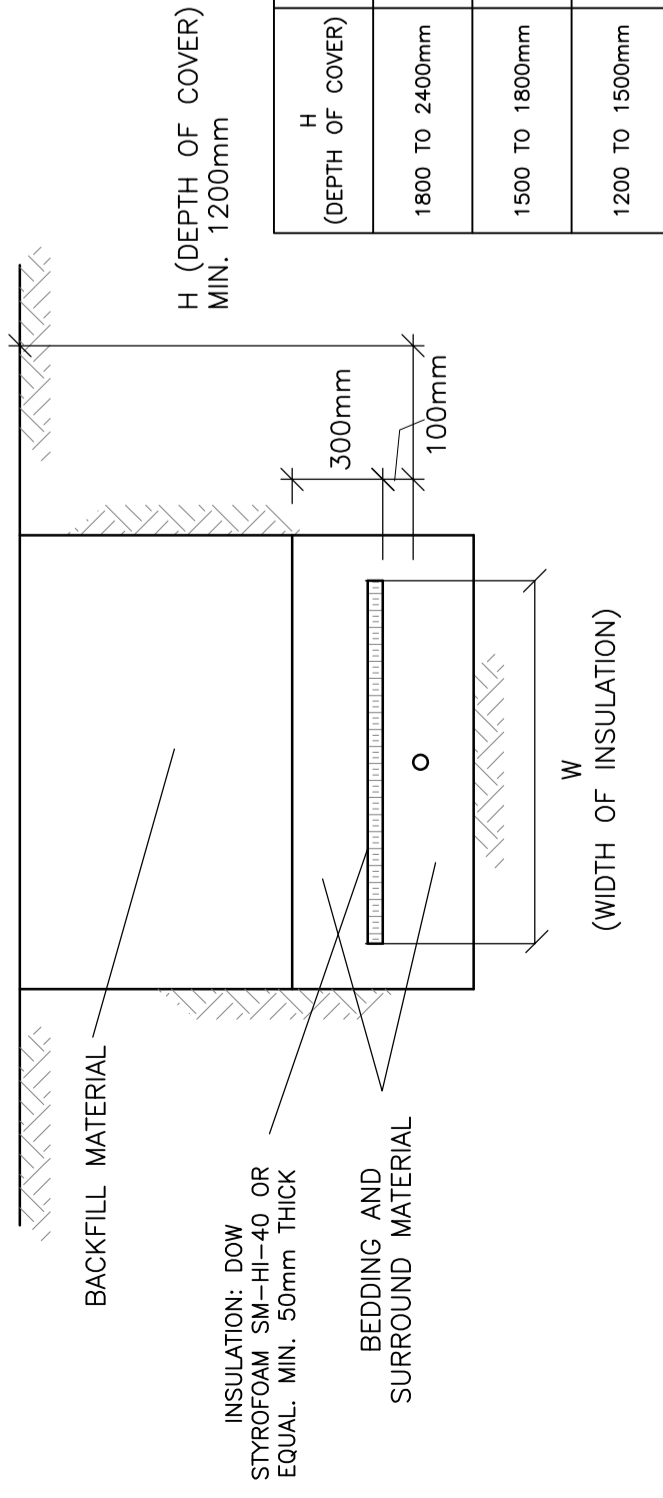
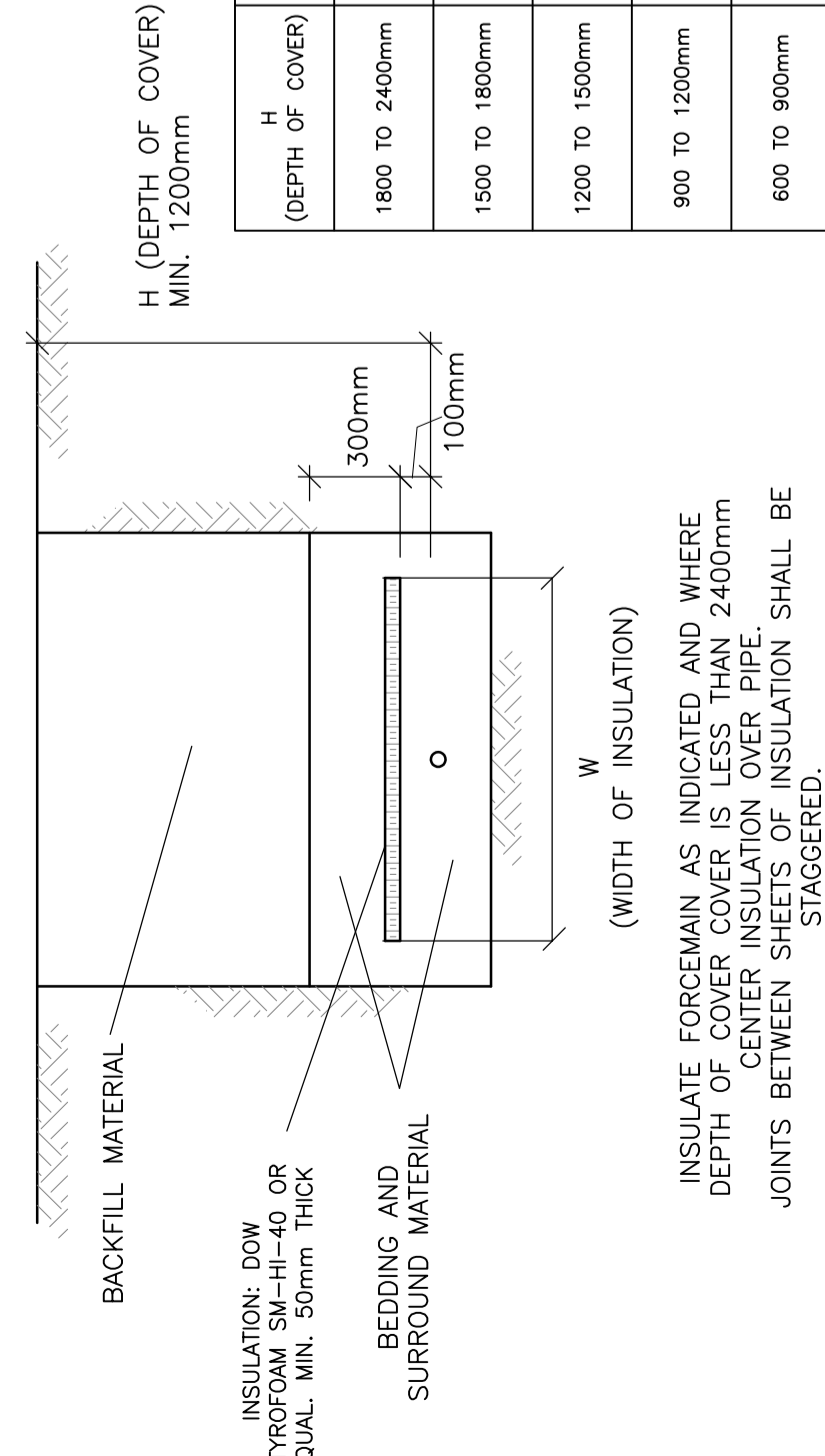


SECTION SWALE
N.T.S.



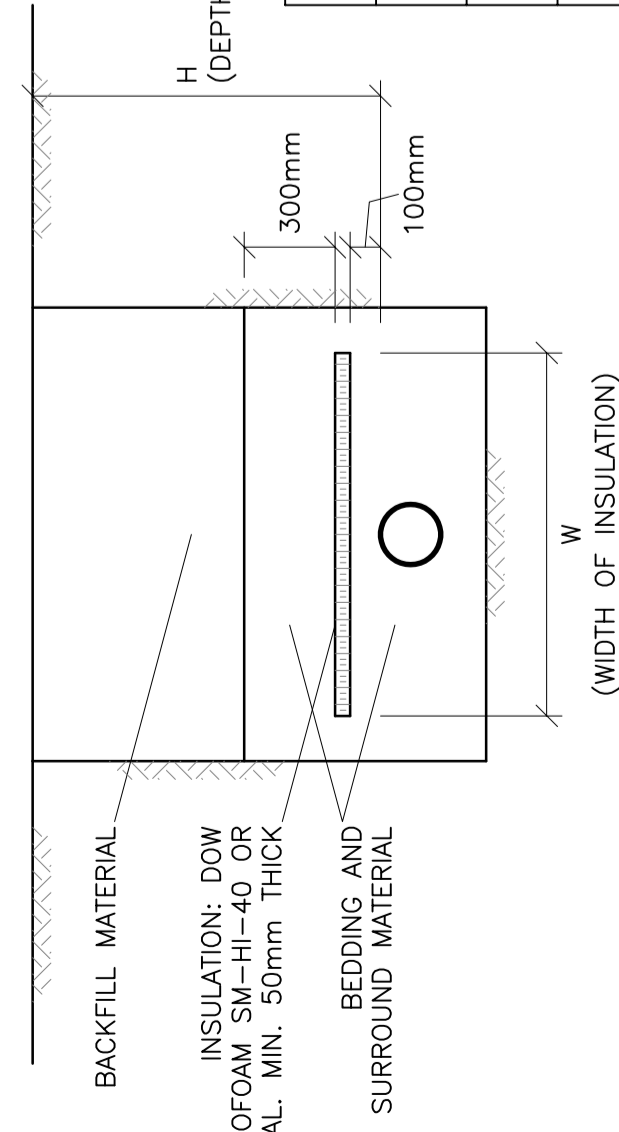
INSULATE SEWER AS INDICATED AND WHERE DEPTH OF COVER IS LESS THAN 2400mm. CENTER INSULATION OVER PIPE. JOINTS BETWEEN SHEETS OF INSULATION SHALL BE STAGGERED.

INSULATION OF WELL WATER LINE
SHALLOW TRENCHES
N.T.S.



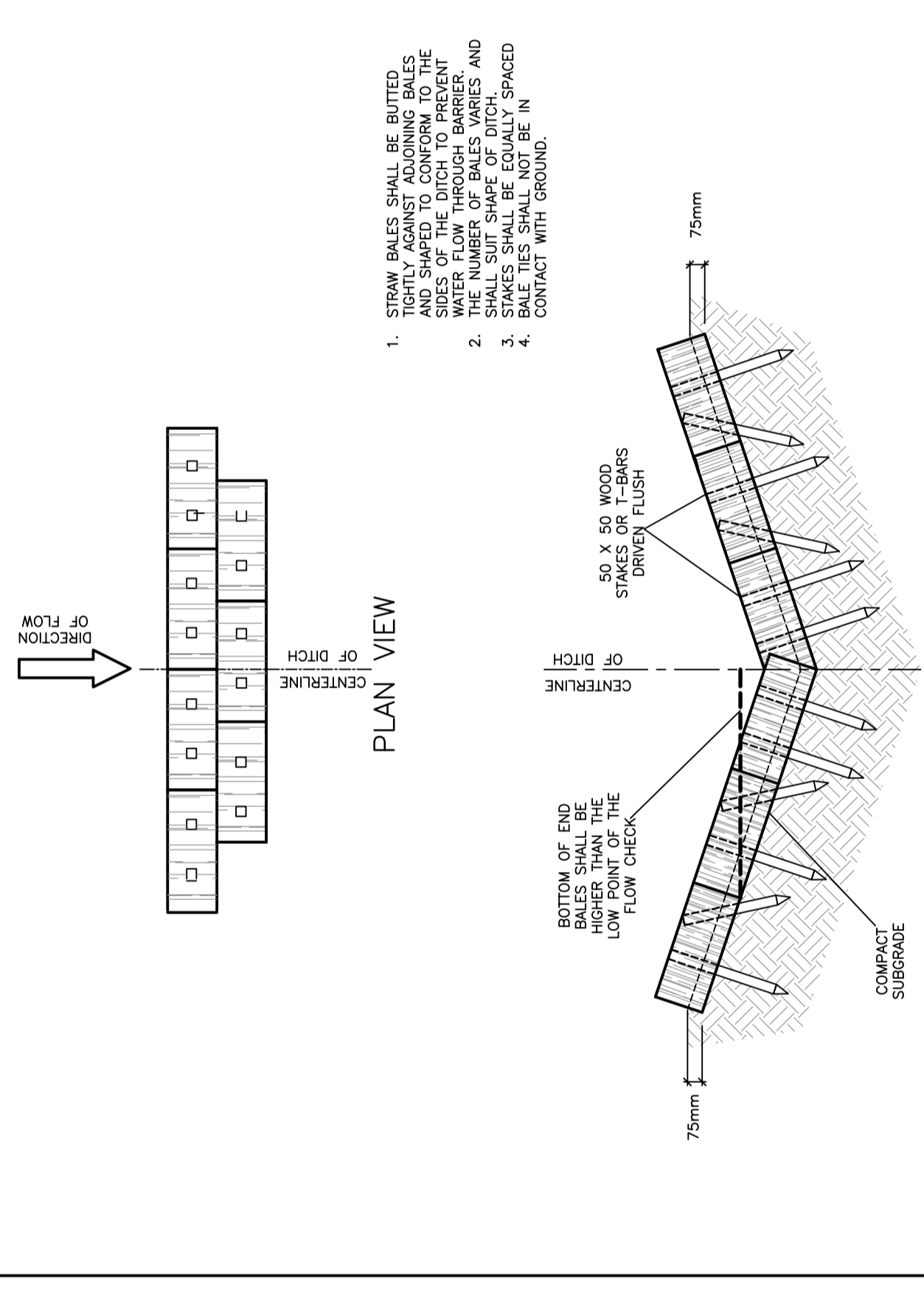
INSULATE FORCEMAIN AS INDICATED AND WHERE DEPTH OF COVER IS LESS THAN 2400mm. CENTER INSULATION OVER PIPE. JOINTS BETWEEN SHEETS OF INSULATION SHALL BE STAGGERED.

INSULATION OF SANITARY
FORCEMAIN IN SHALLOW TRENCHES
N.T.S.

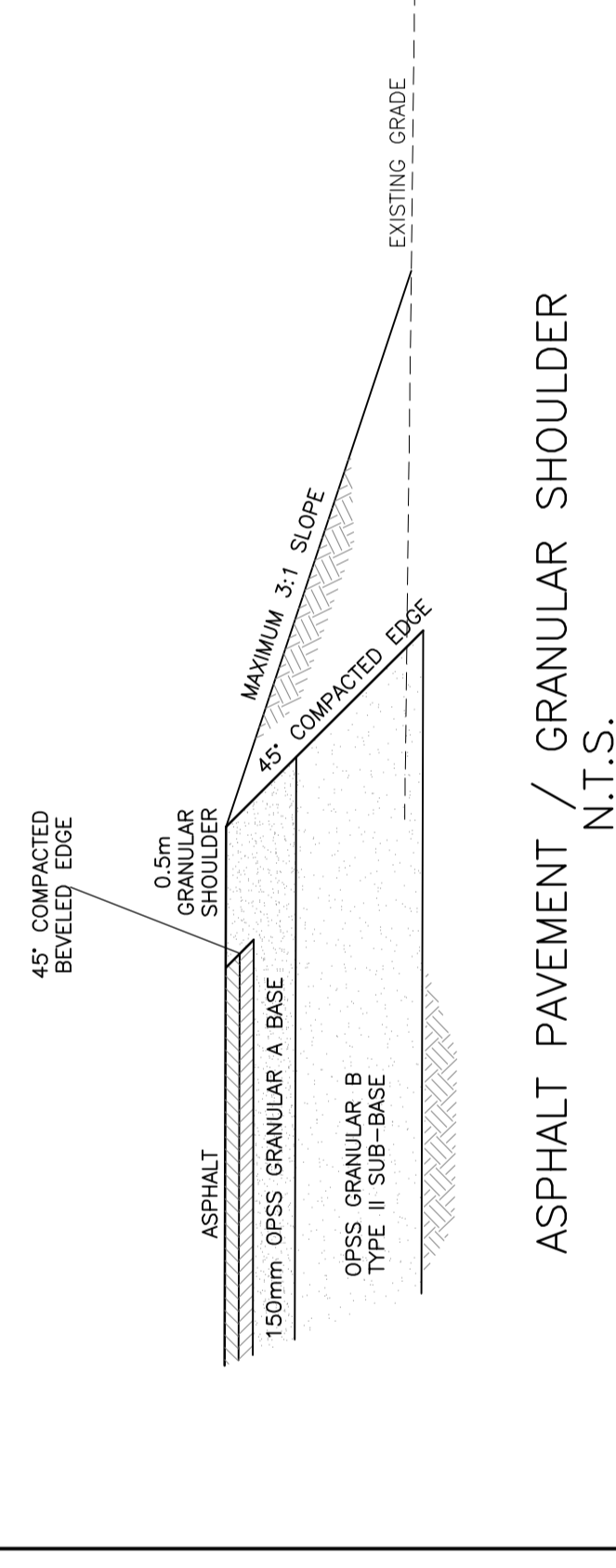


INSULATE SEWER AS INDICATED AND WHERE DEPTH OF COVER IS LESS THAN 2400mm. CENTER INSULATION OVER PIPE. JOINTS BETWEEN SHEETS OF INSULATION SHALL BE STAGGERED.

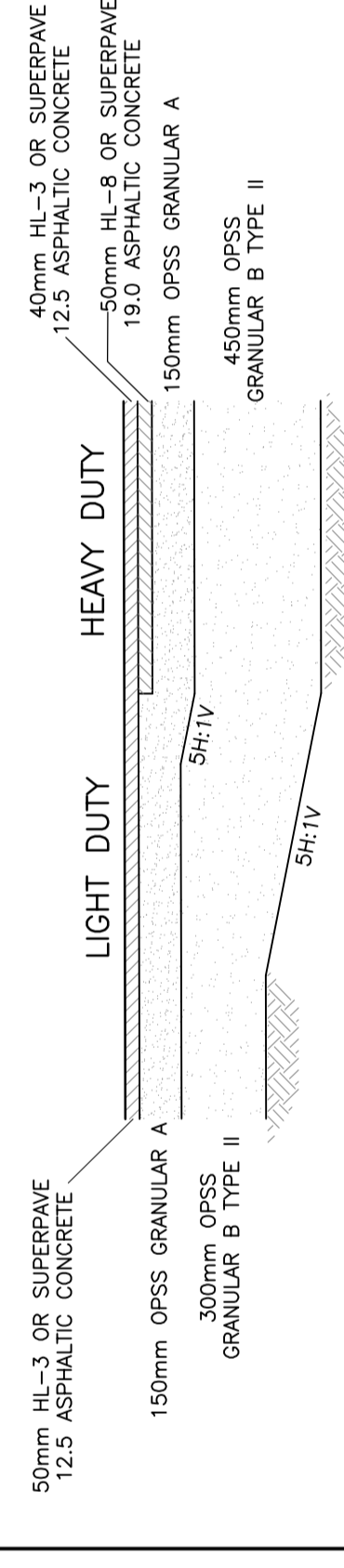
INSULATION OF SEWERS
IN SHALLOW TRENCHES
N.T.S.



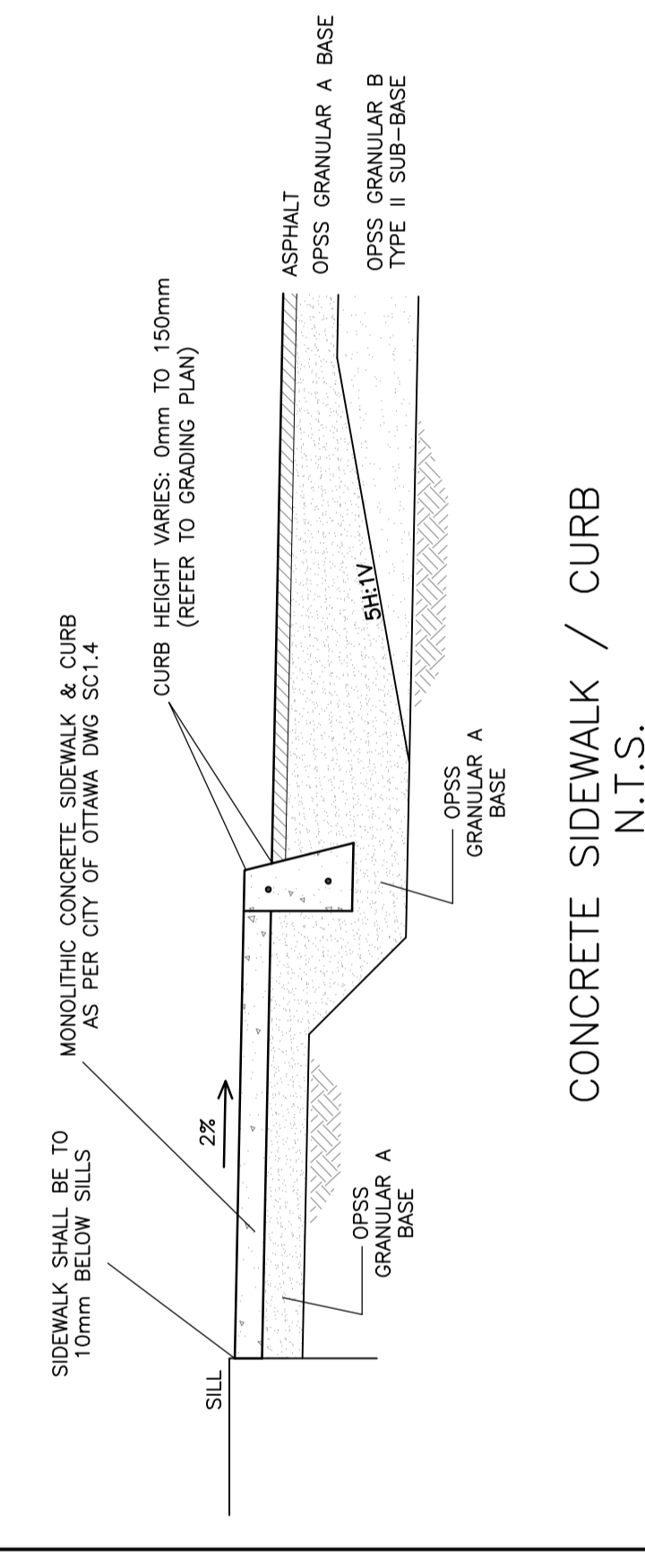
STRAW BALE FLOW
CHECK DAM
AS PER OPSD 219.180
N.T.S.



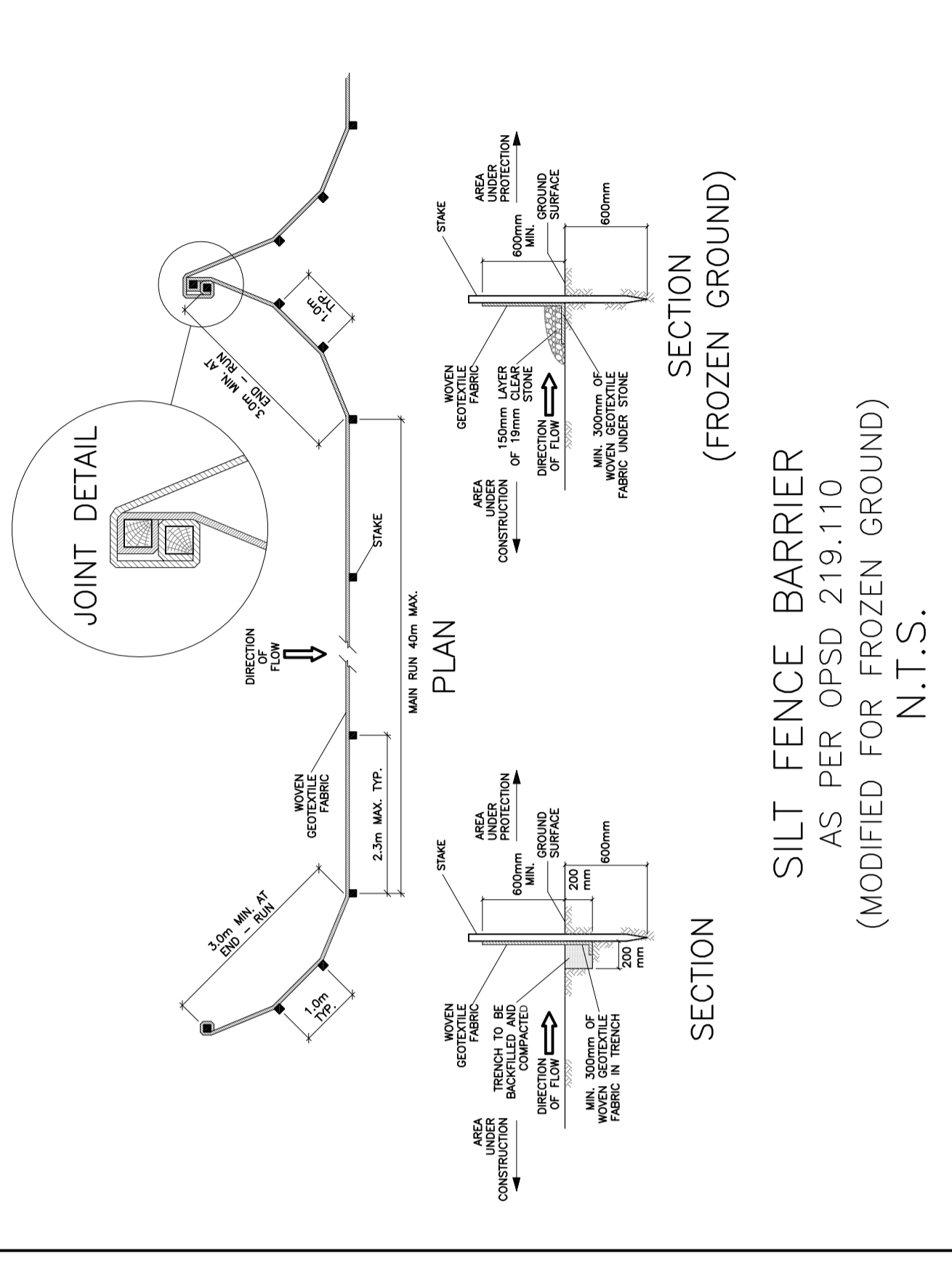
ASPHALT PAVEMENT / GRANULAR SHOULDER
N.T.S.



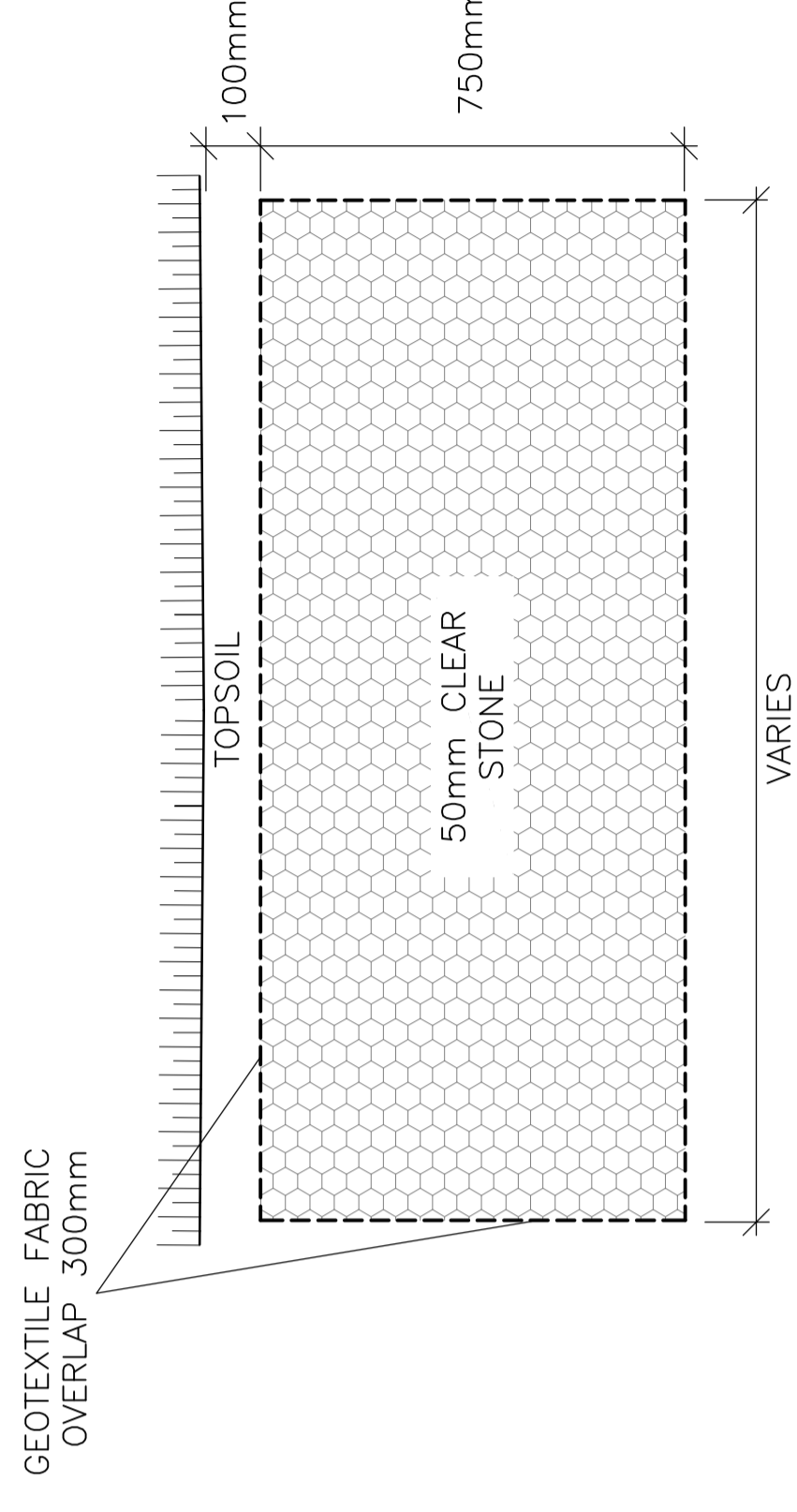
PAVEMENT STRUCTURE
N.T.S.



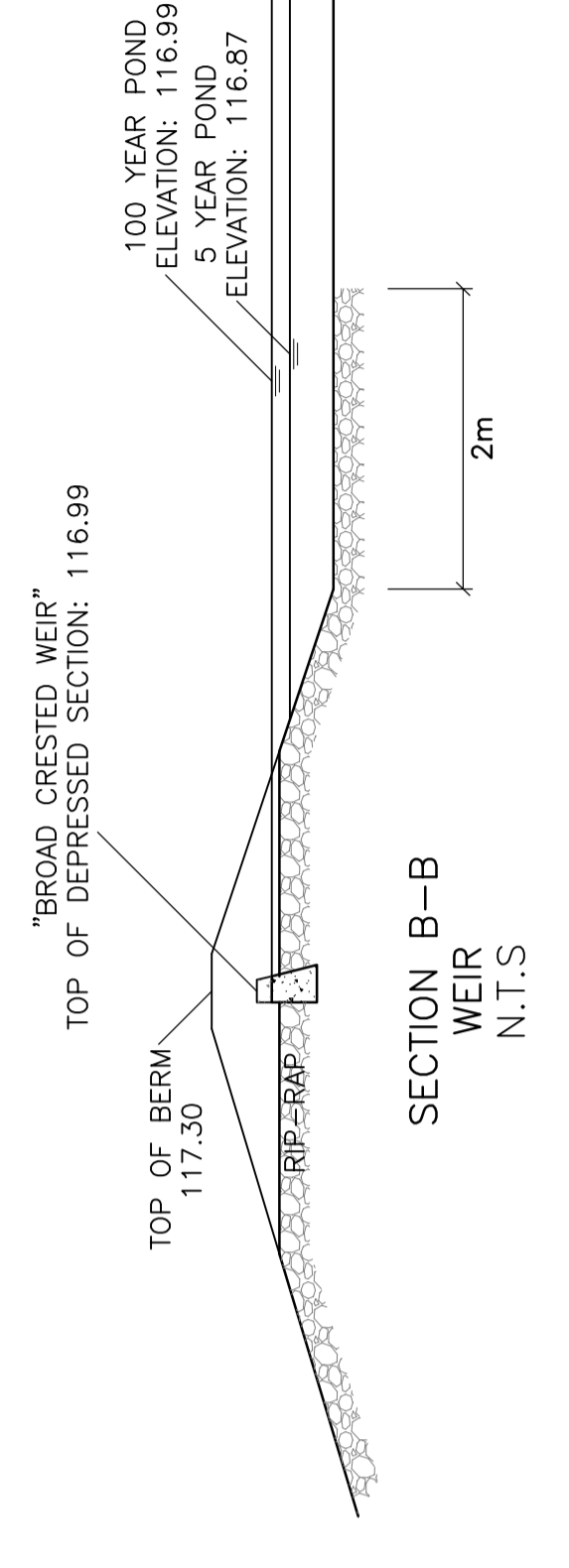
CONCRETE SIDEWALK / CURB
N.T.S.



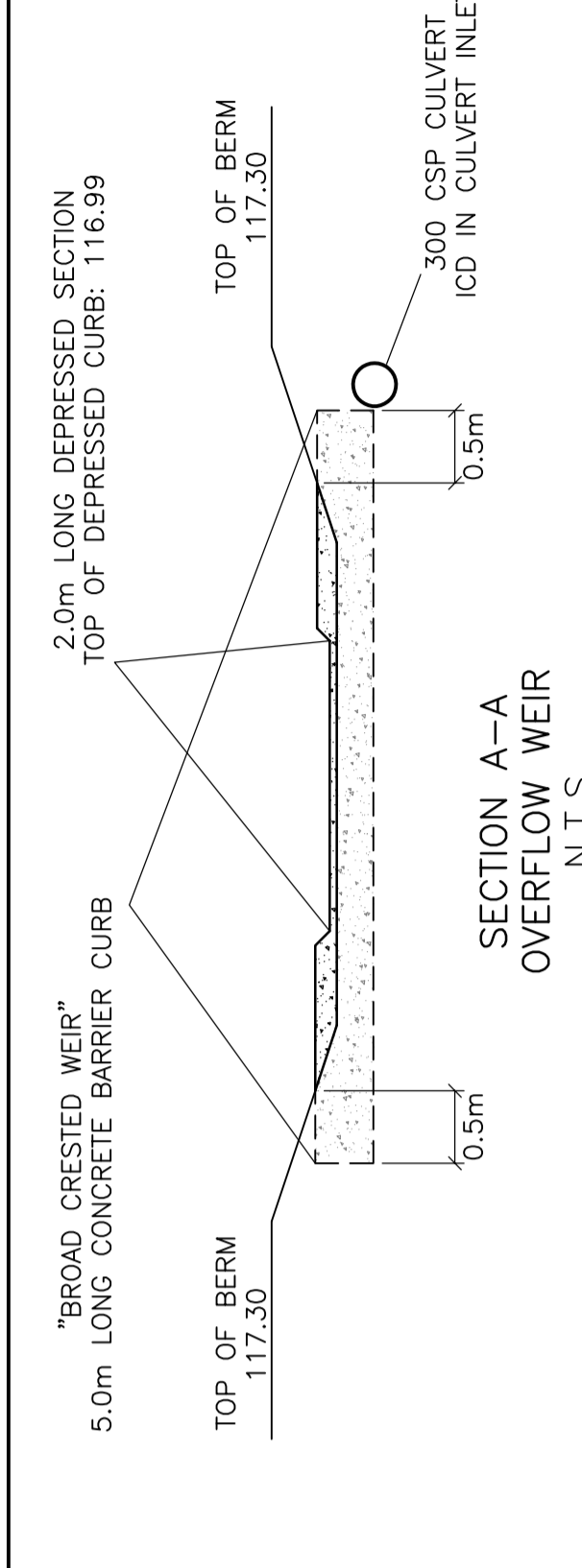
SILT FENCE BARRIER
AS PER OPSD 219.110
(MODIFIED FOR FROZEN GROUND)
N.T.S.



INFILTRATION TRENCH
(INSTALL AT THE END OF CONSTRUCTION)
N.T.S.

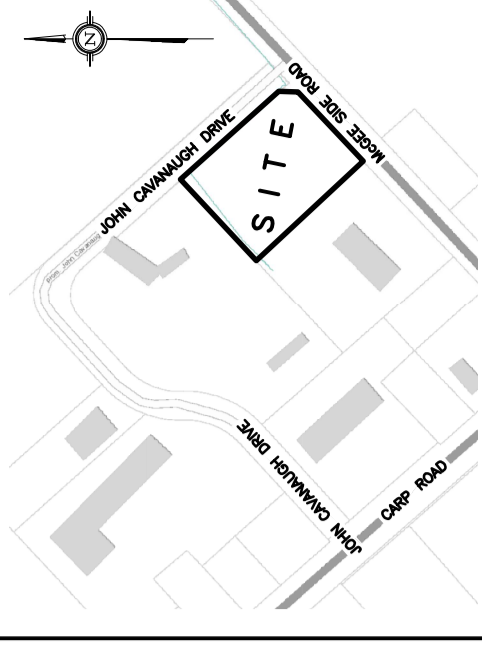


SECTION B-B
WEIR
N.T.S.



SECTION A-A
OVERFLOW WEIR
N.T.S.

KEY PLAN



No.	DATE	REVISION
1	JAN 27-21	ISSUED FOR REVIEW & COORDINATION

D. B. GRAY ENGINEERING INC.
 700 Long Point Circle
 Ottawa, Ontario
 4gray@dbgrayengineering.com
 613-425-8044

**CLS ROOFING LTD
 OFFICE & WAREHOUSE
 2167 MCGEE SIDE ROAD
 OTTAWA, ONTARIO**

DETAILS

Drawn	D.B.G.
Horz. Scale	1:250
Vert. Scale	18:20
Date	NOV 18-20
Job No.	20088

Engineer's Seal
 Drawing No. **C-4**
 of **5**