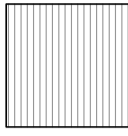
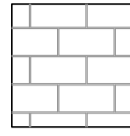
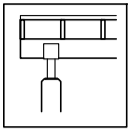
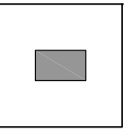
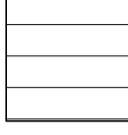
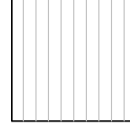
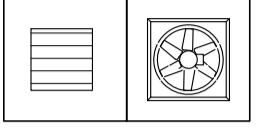
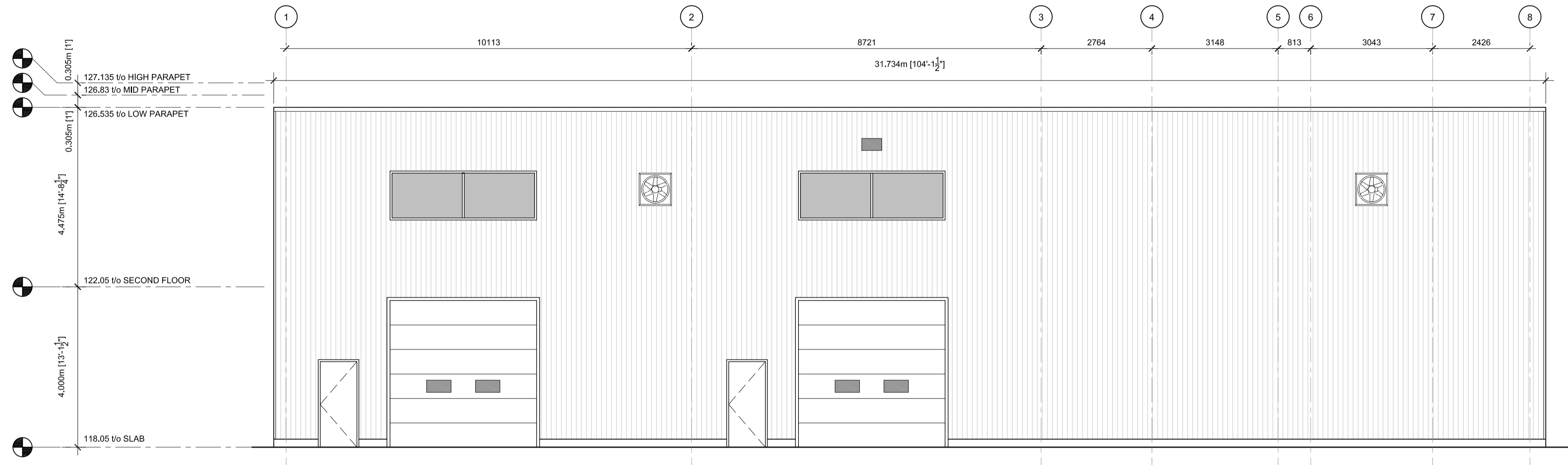
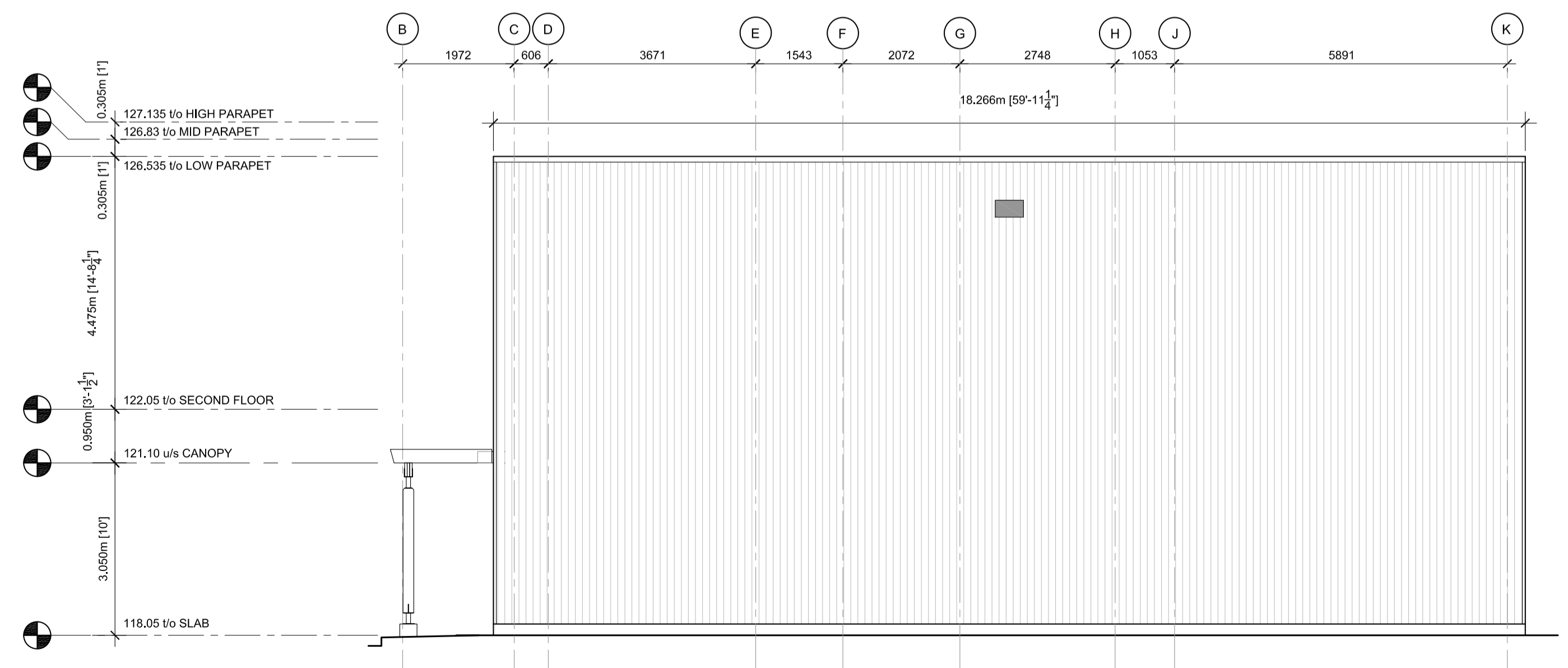


**LEGEND**

	VERTICAL CORRUGATED METAL SIDING TYPE 1, CHARCOAL GREY WITH BLACK TRIMS		MASONRY CLADDING.		WOOD CANOPY		WALL PACK LIGHTING. REFER TO ELECTRICAL.
	HORIZONTAL METAL SIDING TYPE 2, BLACK		VERTICAL INSULATED METAL PANEL SIDING TYPE 3, GREY		LOCATION OF MECH FAN & MECH. INTAKE LOUVERS. REFER TO MECHANICAL.		



1 WEST ELEVATION:  
A301 SCALE: 1: 75



2 NORTH ELEVATION:  
A301 SCALE: 1: 75

CLIENT

CLS ROOFING INC.

ISSUE	DESCRIPTION	DATE
06	FOR SITE PLAN CONTROL REVIEW/RESPONSE	01/06/2021
05	FOR PERMIT	04/26/2021
04	FOR COORDINATION	03/04/2021
03	FOR SITE PLAN CONTROL	26/02/2021
02	FOR COORDINATION	01/31/2021
01	FOR INFORMATION	01/11/2021

PROFESSIONAL STAMP	PROJECT NORTH
--------------------	---------------



PROJECT

2167 MCGEE SIDE RD,  
INDUSTRIAL BUILDING

DRAWING

BUILDING  
ELEVATIONS

PROJECT No:	025	REVISION:	00
DRAWN:	SL	DATE:	JANUARY 2021
APPROVED:		SCALE:	AS SHOWN

DRAWING No:

**A301**