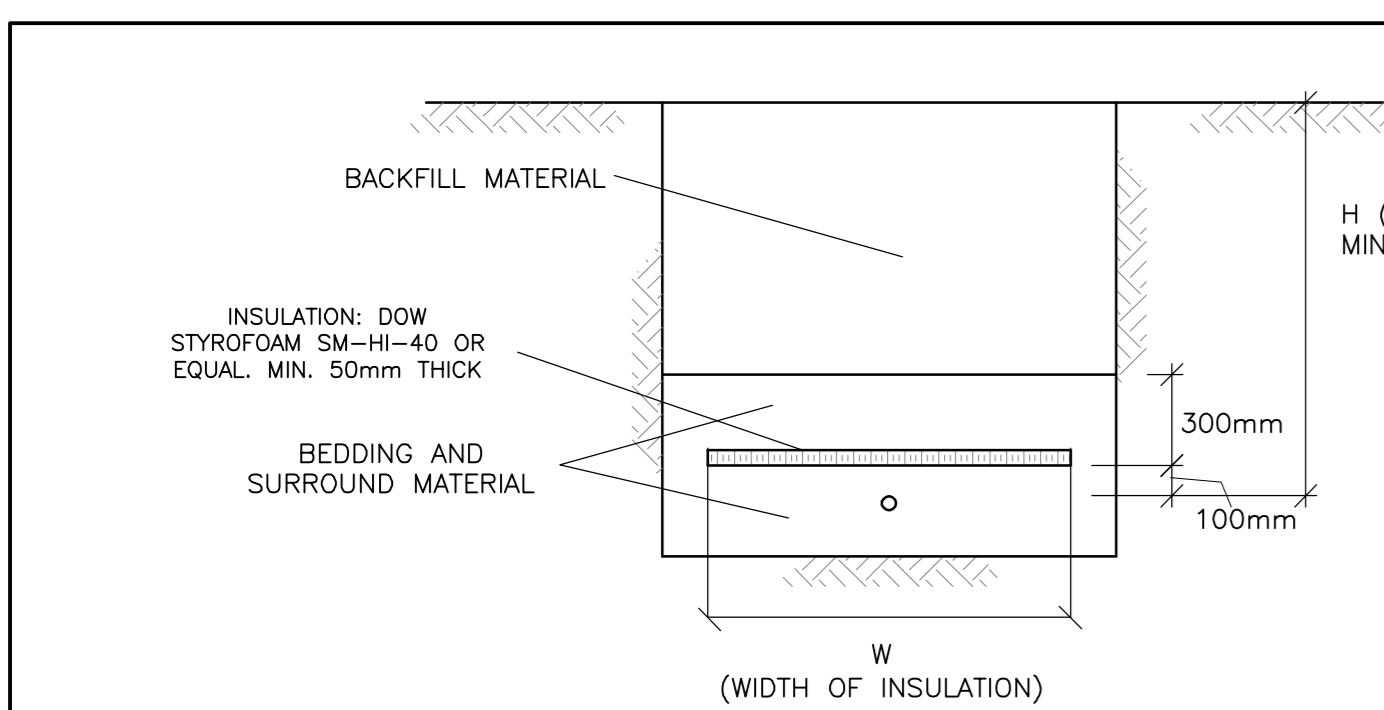


H (DEPTH OF COVER)	INSULATION THICKNESS	W (WIDTH OF INSULATION)
1800 TO 2400mm	50mm	1200mm
1500 TO 1800mm	75mm	1800mm
1200 TO 1500mm	100mm	2400mm

INSULATE SEWER AS INDICATED AND WHERE DEPTH OF COVER IS LESS THAN 2400mm. CENTER INSULATION OVER PIPE. JOINTS BETWEEN SHEETS OF INSULATION SHALL BE STAGGERED.

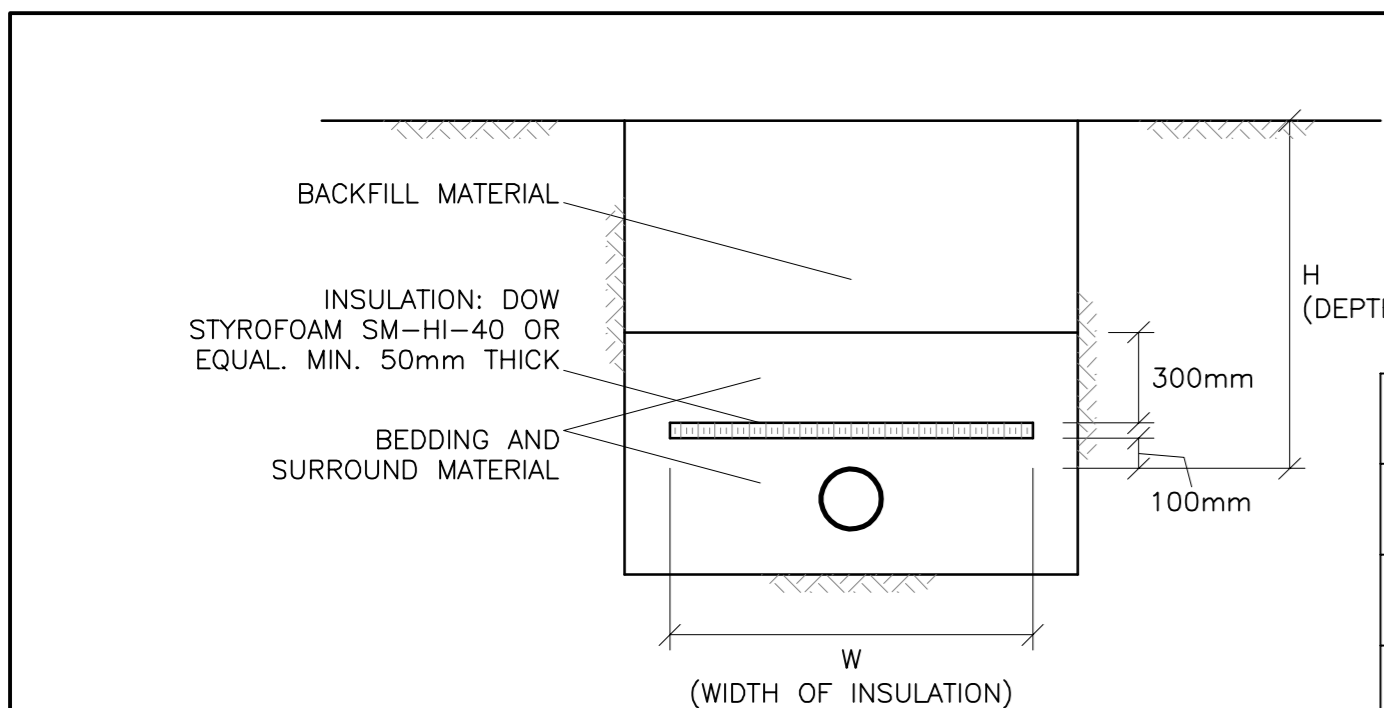
INSULATION OF WELL WATER LINE SHALLOW TRENCHES N.T.S.



H (DEPTH OF COVER)	INSULATION THICKNESS	W (WIDTH OF INSULATION)
1800 TO 2400mm	50mm	1200mm
1500 TO 1800mm	75mm	1800mm
1200 TO 1500mm	100mm	2400mm
900 TO 1200mm	125mm	3000mm
600 TO 900mm	150mm	3600mm

INSULATE FORCEMAIN AS INDICATED AND WHERE DEPTH OF COVER IS LESS THAN 2400mm. CENTER INSULATION OVER PIPE. JOINTS BETWEEN SHEETS OF INSULATION SHALL BE STAGGERED.

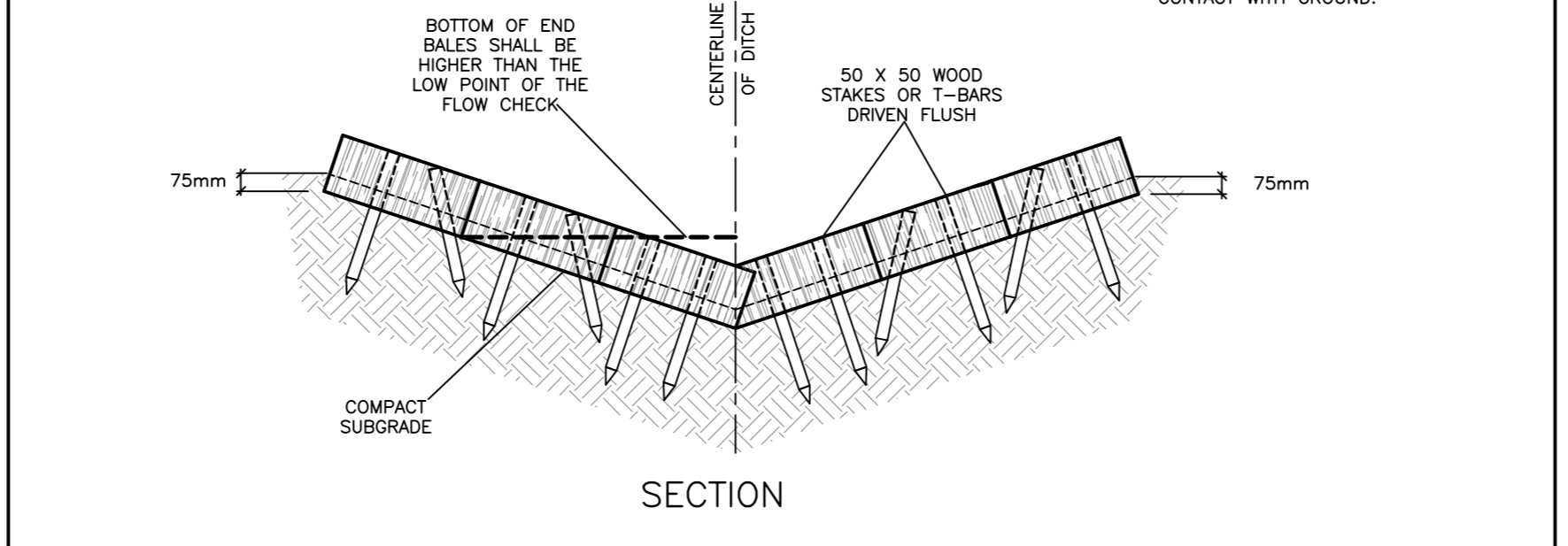
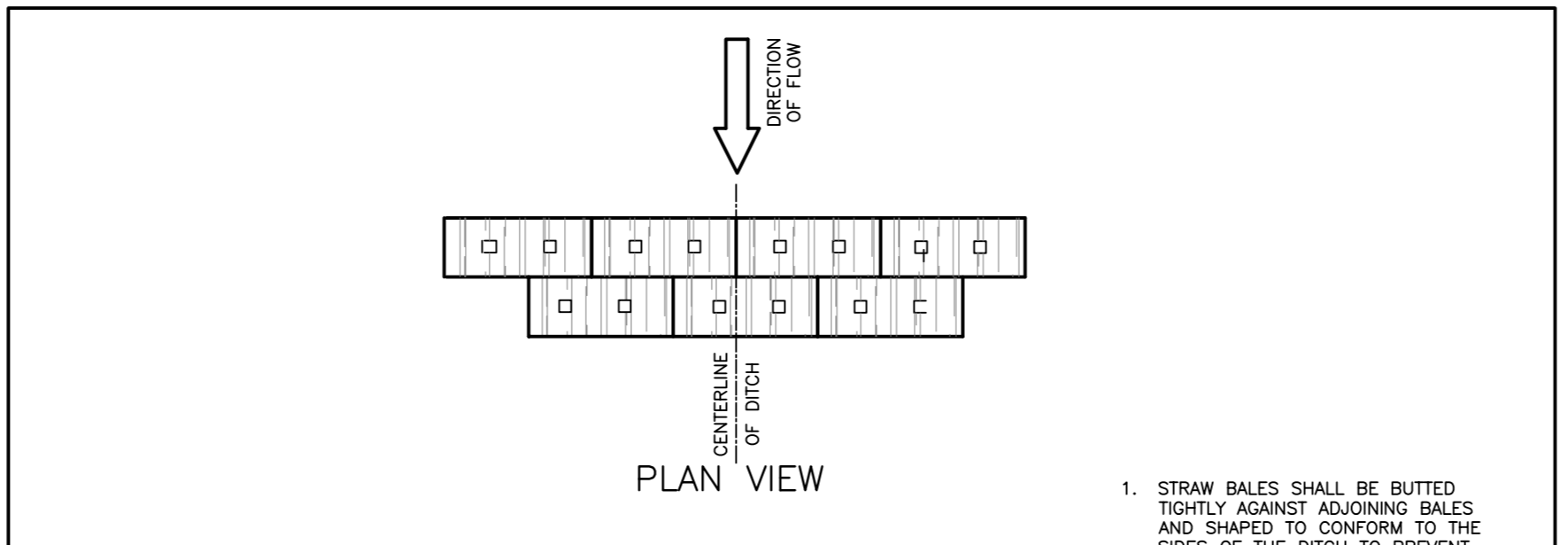
INSULATION OF SANITARY FORCEMAIN IN SHALLOW TRENCHES N.T.S.



H (DEPTH OF COVER)	INSULATION THICKNESS	W (WIDTH OF INSULATION)
1400 TO 2000mm	50mm	1200mm
1100 TO 1400mm	75mm	1800mm
800mm TO 1100mm	100mm	2400mm
500mm TO 800mm	125mm	3000mm
LESS THAN 500mm	150mm	3600mm

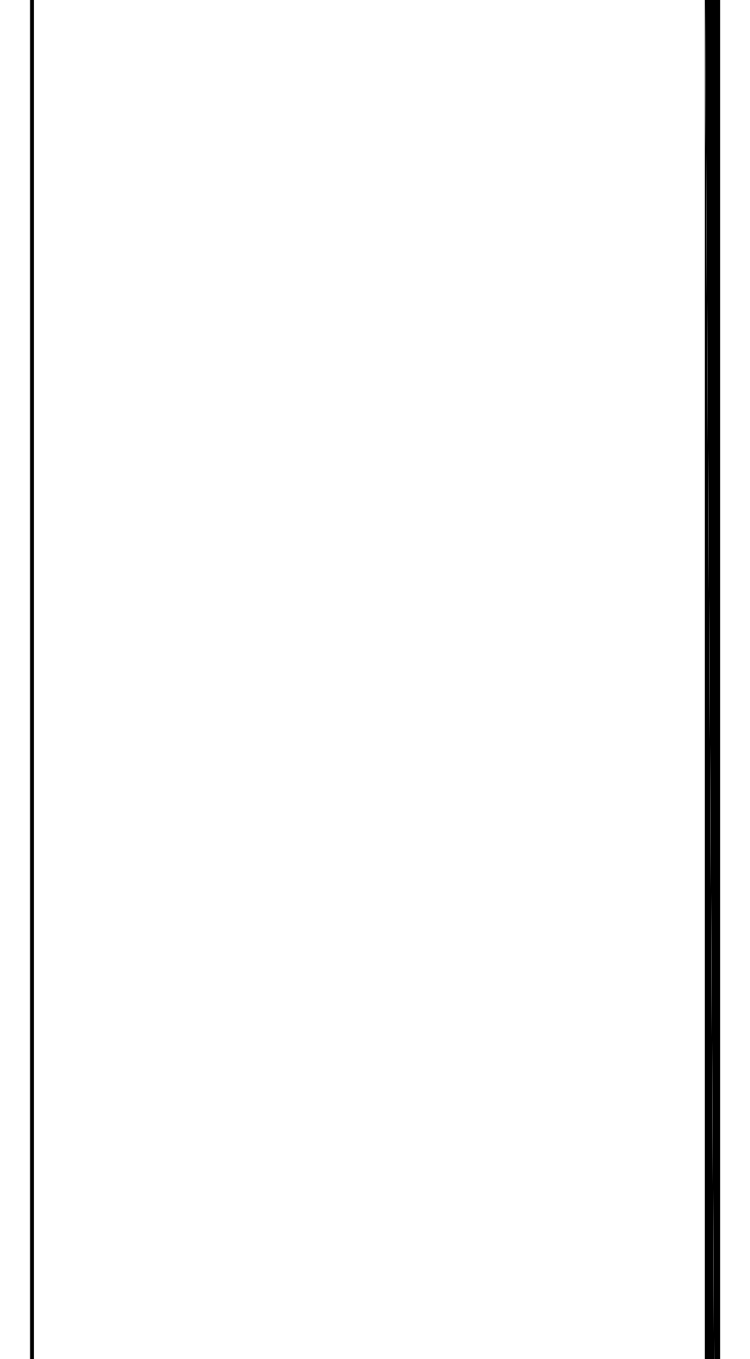
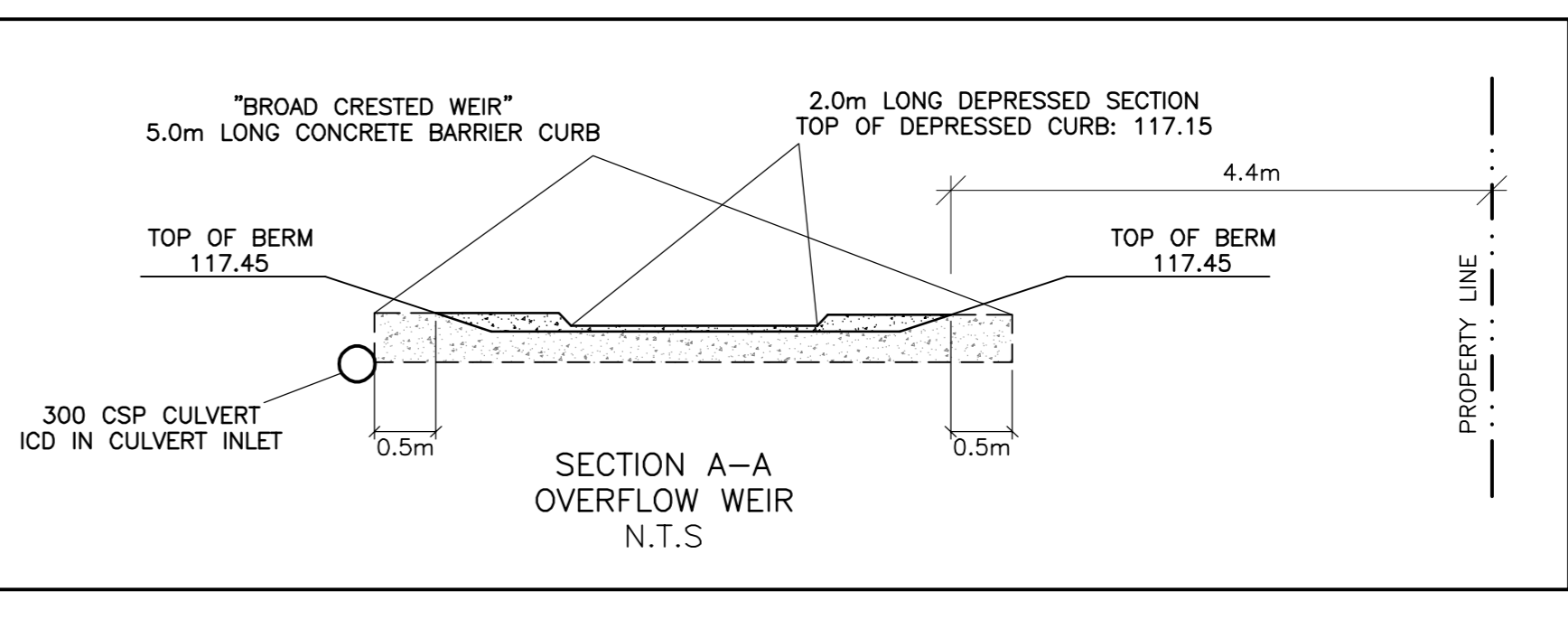
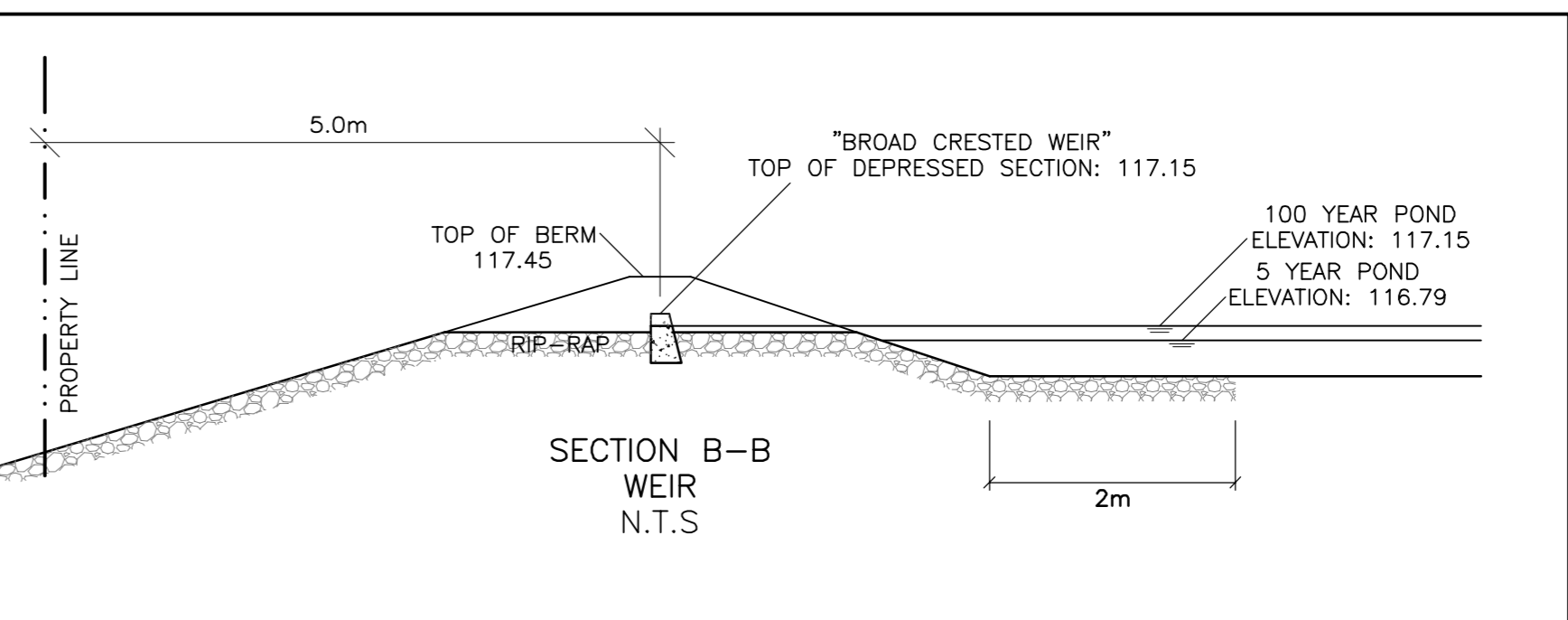
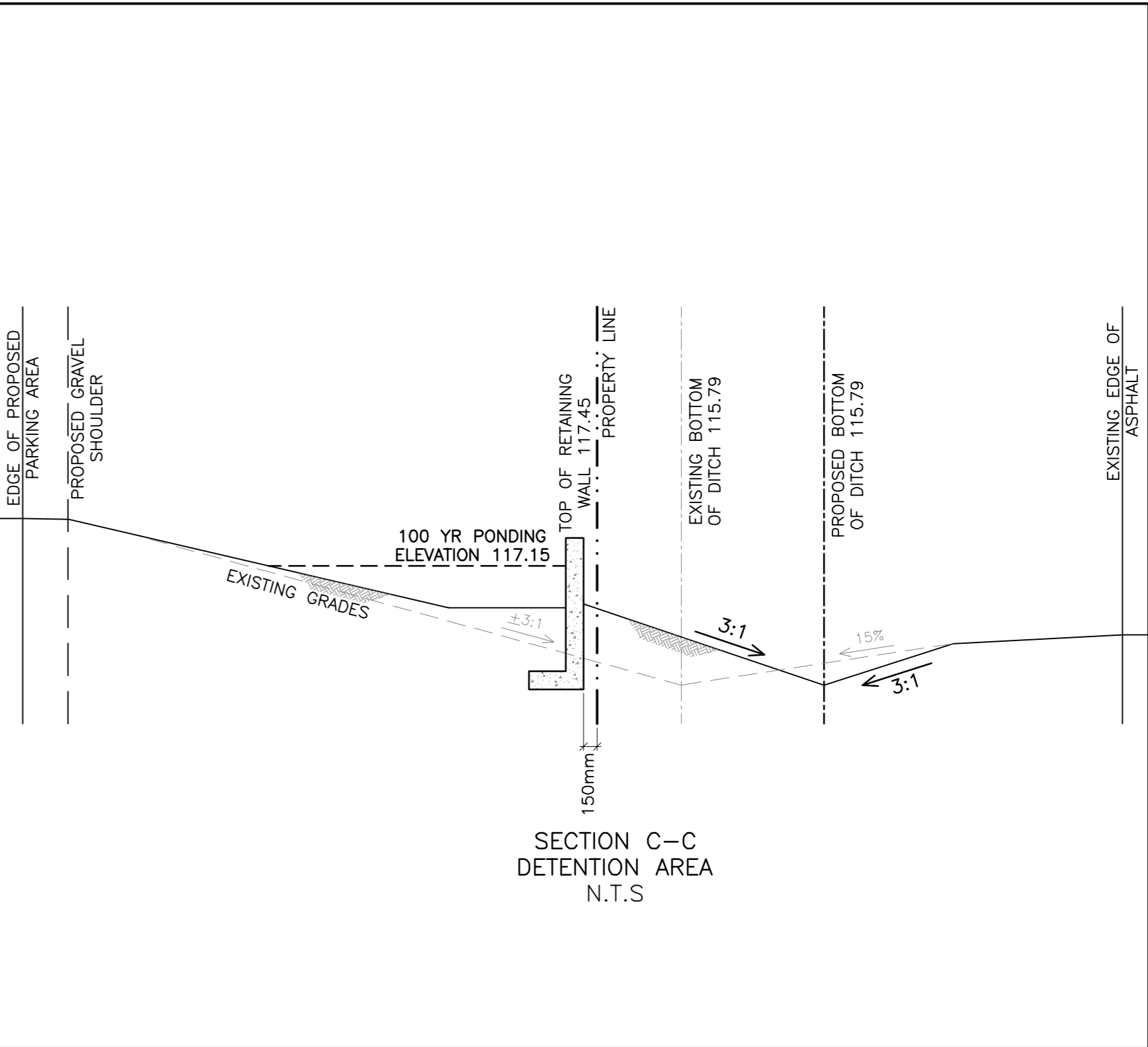
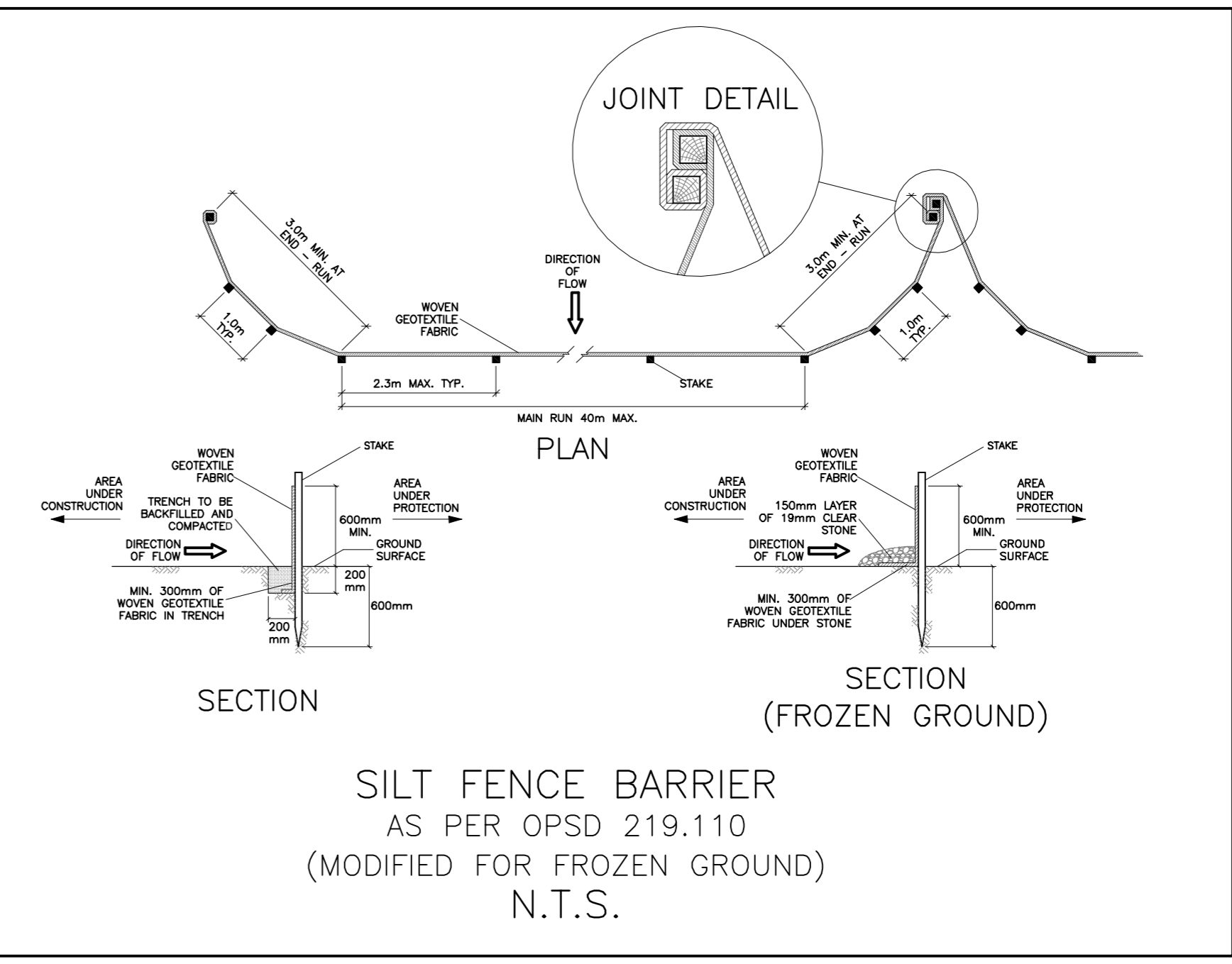
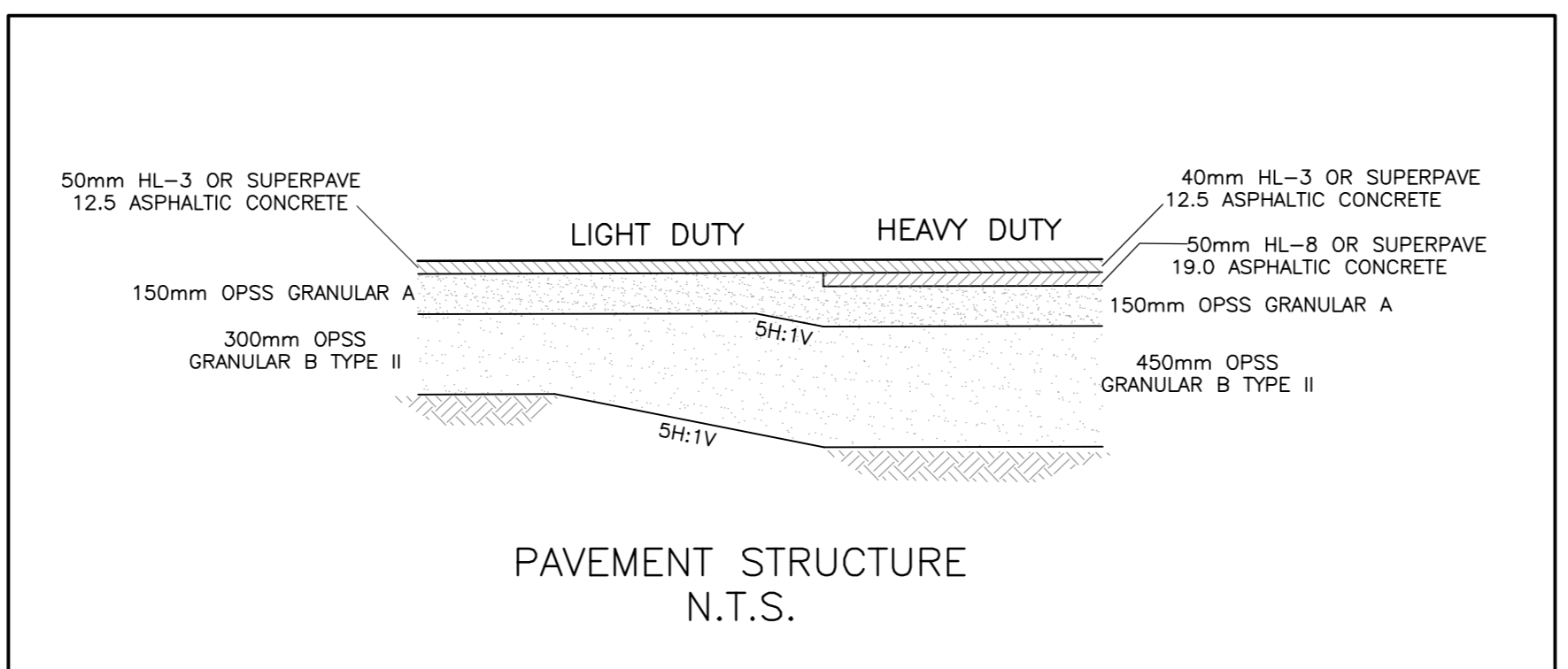
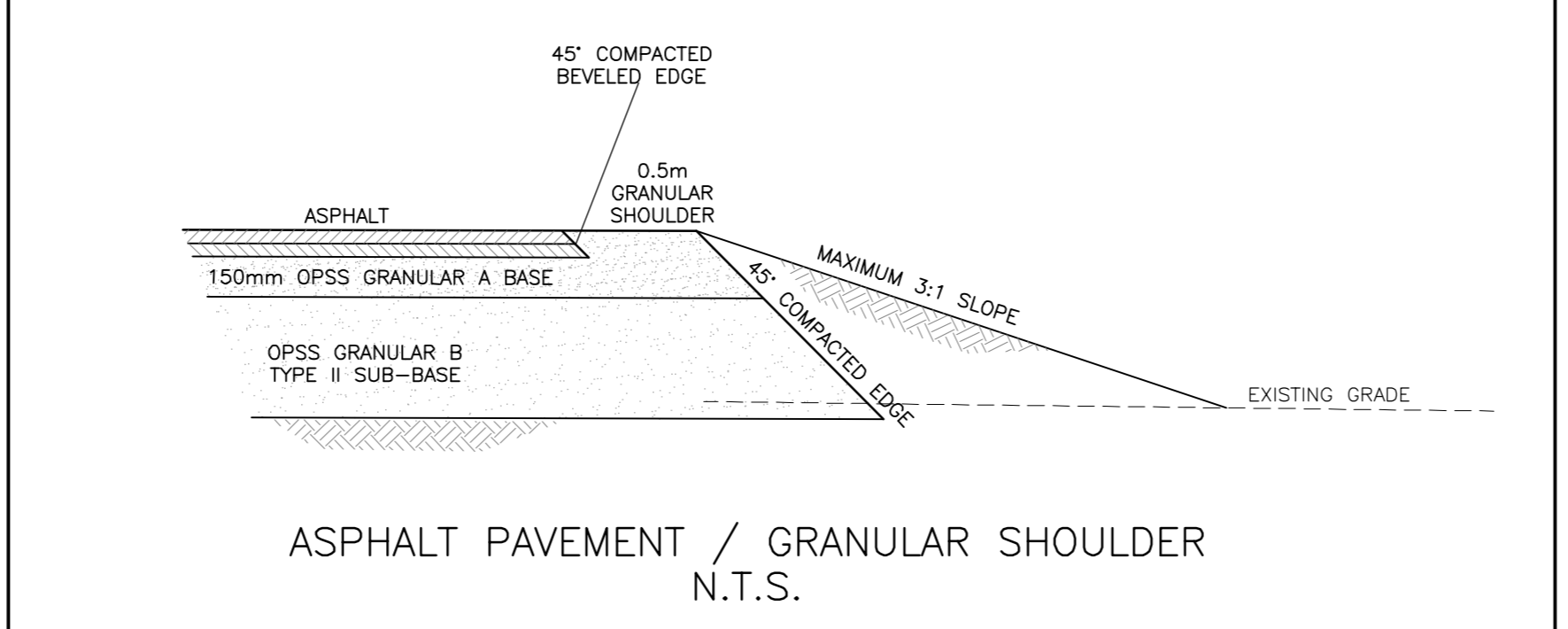
INSULATE SEWER AS INDICATED AND WHERE DEPTH OF COVER IS LESS THAN 1800mm. CENTER INSULATION OVER PIPE. JOINTS BETWEEN SHEETS OF INSULATION SHALL BE STAGGERED.

INSULATION OF SEWERS IN SHALLOW TRENCHES N.T.S.



1. STRAW BALES SHALL BE BUTTED TIGHTLY AGAINST ADJOINING BALES AND SHAPED TO CONFORM TO THE SIDES OF THE DITCH TO PREVENT WATER FLOW THROUGH BARRIER.
 2. THE NUMBER OF BALES VARIES AND SHALL SUIT SHAPE OF DITCH.
 3. STAKES SHALL BE EQUALLY SPACED
 4. BALE TIES SHALL NOT BE IN CONTACT WITH GROUND.

STRAW BALE FLOW CHECK DAM AS PER OPSD 219.180 N.T.S.



No.	DATE	REVISION
3	JUN 29-23	ISSUED FOR APPROVAL
2	JUN 23-23	ISSUED FOR COORDINATION
1	APR 19-23	ISSUED FOR CLIENT REVIEW

D. B. GRAY ENGINEERING INC.
 Stormwater Management - Grading & Drainage - Storm & Sanitary Sewers - Watermain
 700 Long Point Circle 613-425-8044
 Ottawa, Ontario d.gray@dbgrayengineering.com

Project
OFFICE & WAREHOUSE
 2167 MCGEE SIDE ROAD
 OTTAWA, ONTARIO

Drawing Title
DETAILS

Engineer's Seal
 D.B. GRAY
 17016502
 JUN 29-23
 PROVINCE OF ONTARIO

Drawn: D.B.G.
 Hor. Scale: 1:250
 Vert. Scale: 1:250
 Date: APR 19-23
 Job No.: 23024

Drawing No.
C-5
 of 7

NOT VALID UNLESS SIGNED & DATED