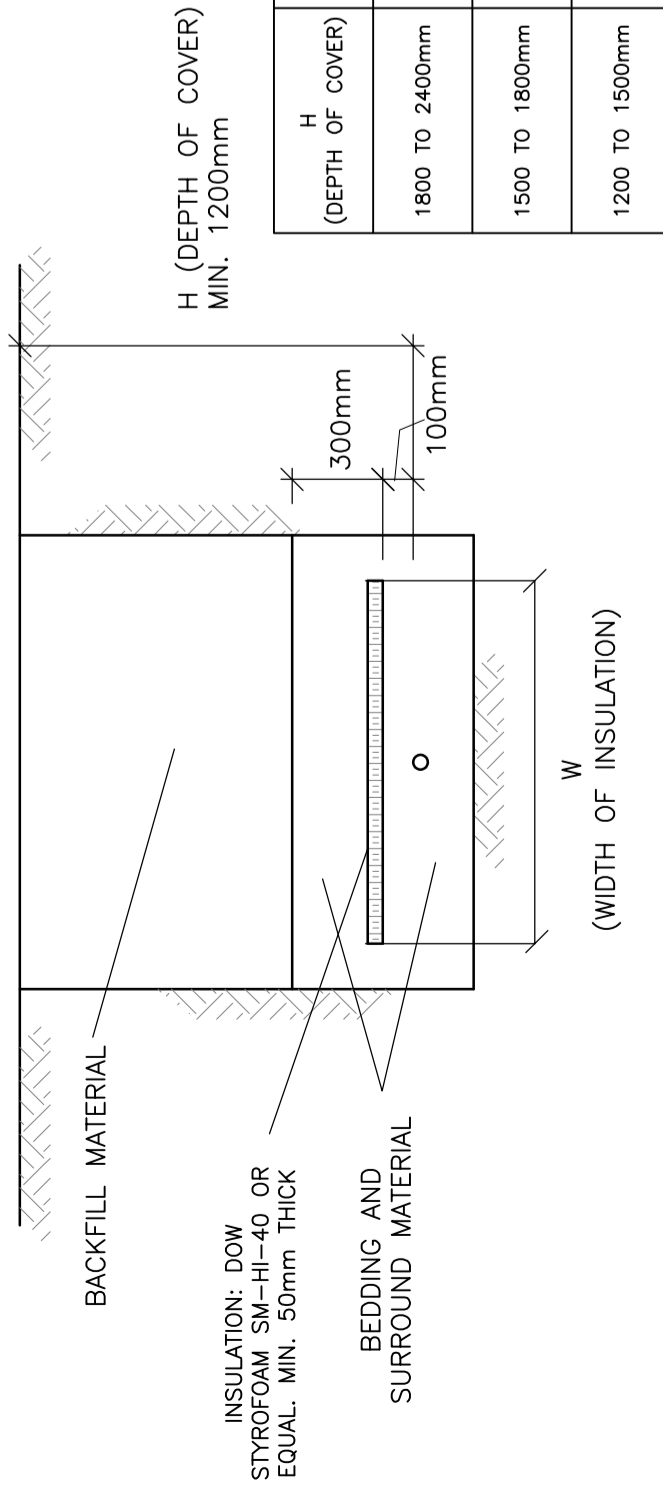
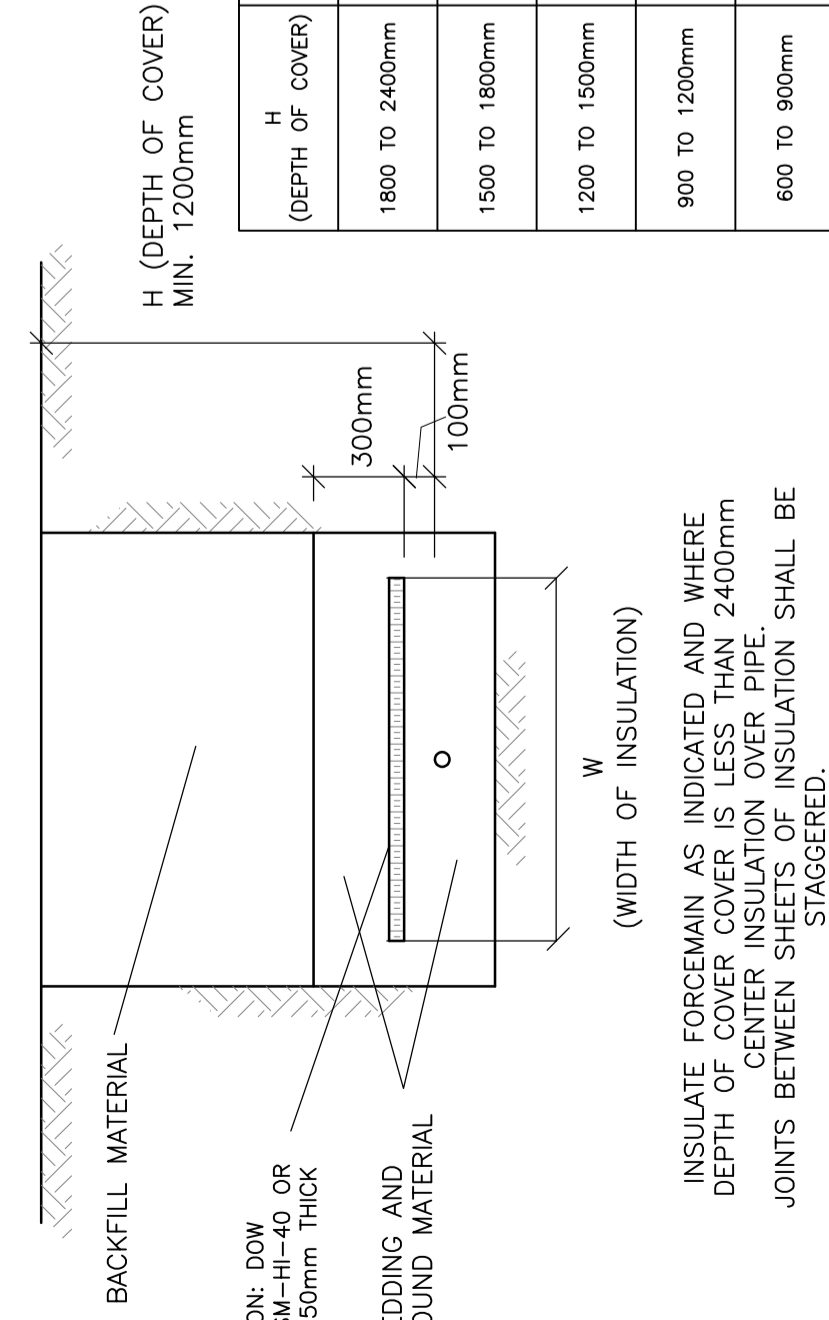


SECTION SWALE  
N.T.S.



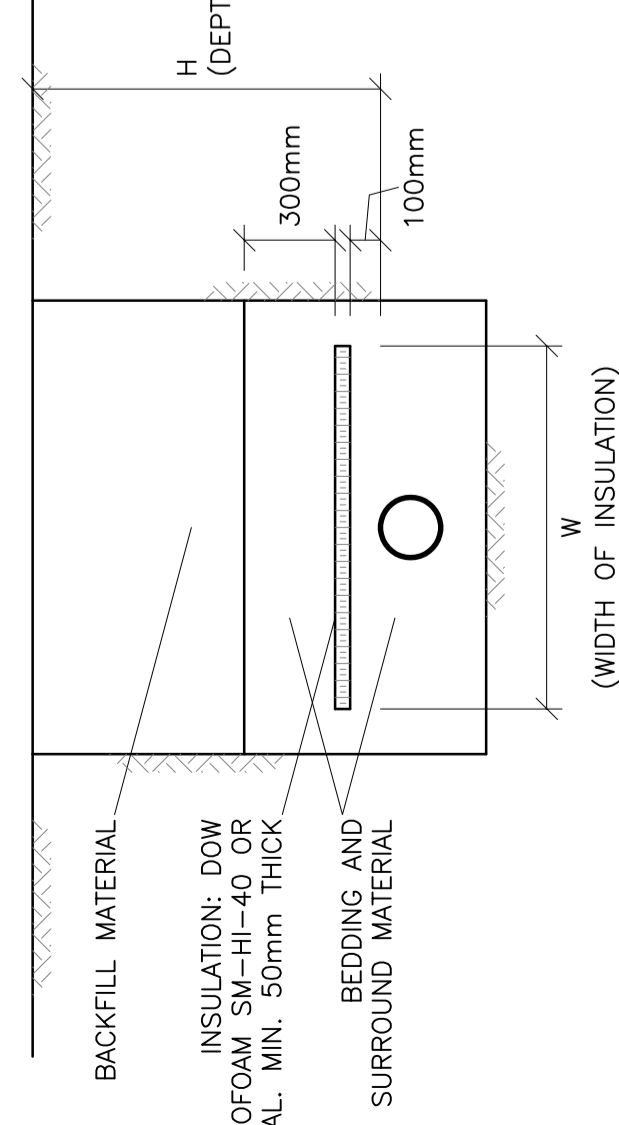
INSULATE SEWER AS INDICATED AND WHERE DEPTH OF COVER COVER IS LESS THAN 2400mm. CENTER INSULATION OVER PIPE. JOINTS BETWEEN SHEETS OF INSULATION SHALL BE STAGGERED.

INSULATION OF WELL WATER LINE  
SHALLOW TRENCHES  
N.T.S.



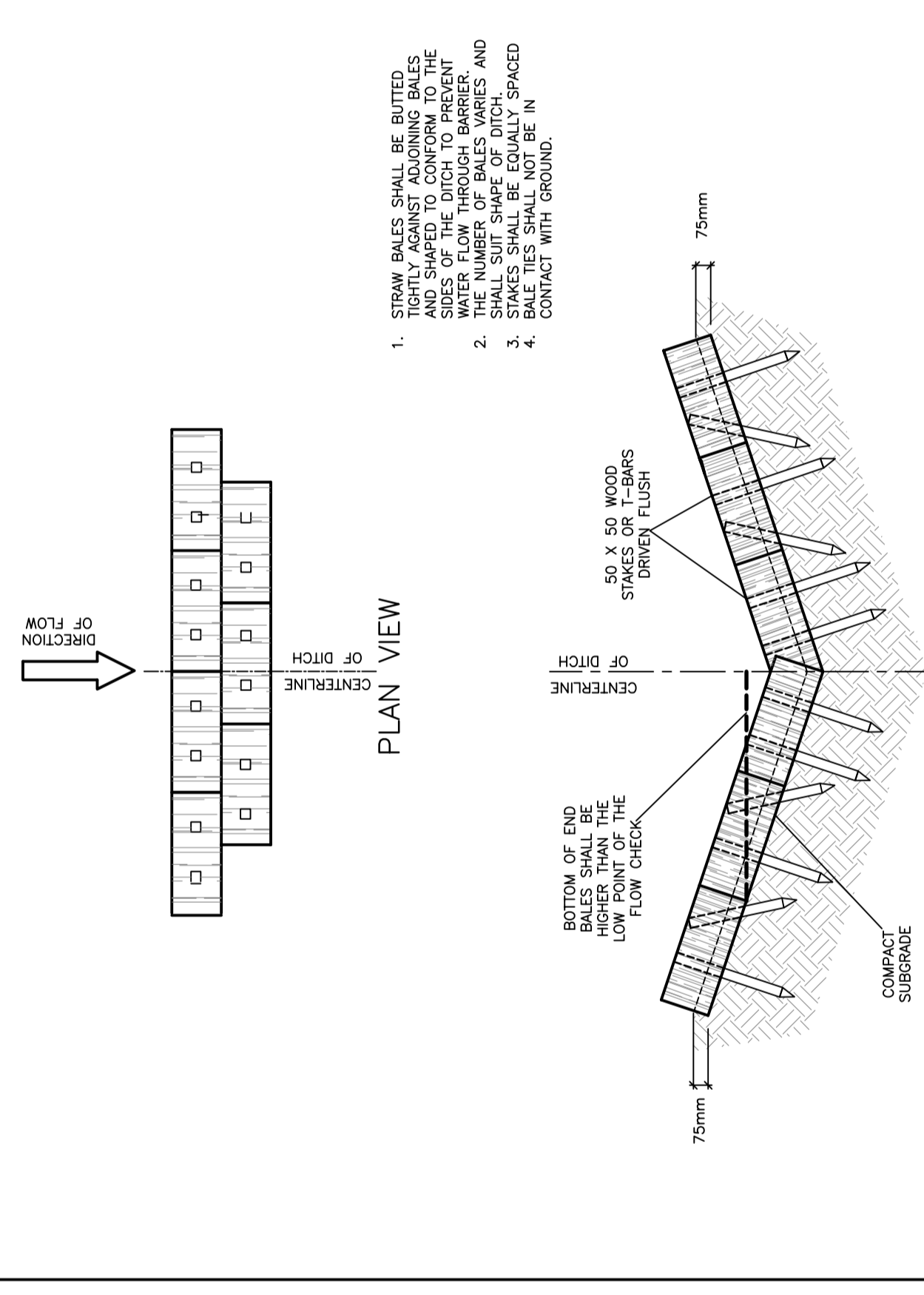
INSULATE FORCEMAIN AS INDICATED AND WHERE DEPTH OF COVER COVER IS LESS THAN 2400mm. CENTER INSULATION OVER PIPE. JOINTS BETWEEN SHEETS OF INSULATION SHALL BE STAGGERED.

INSULATION OF SANITARY  
FORCEMAIN IN SHALLOW TRENCHES  
N.T.S.



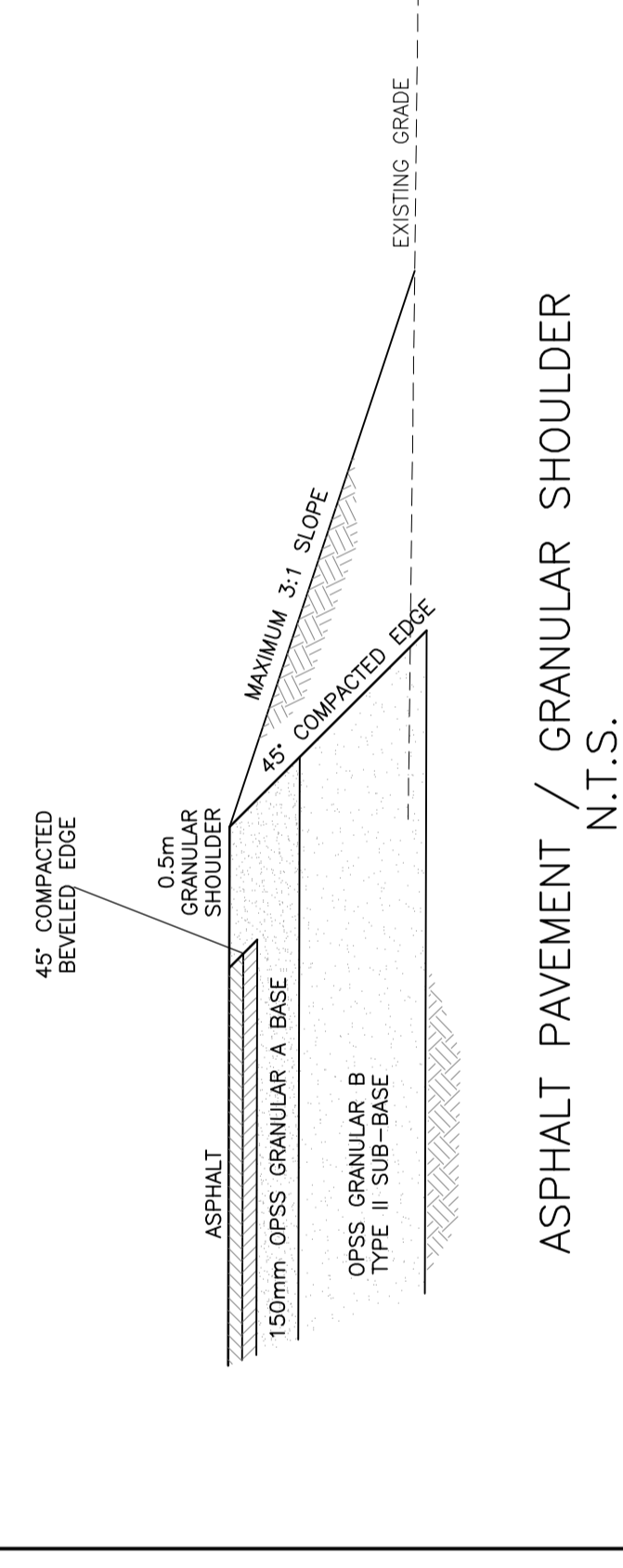
INSULATE SEWER AS INDICATED AND WHERE DEPTH OF COVER COVER IS LESS THAN 2400mm. CENTER INSULATION OVER PIPE. JOINTS BETWEEN SHEETS OF INSULATION SHALL BE STAGGERED.

INSULATION OF SEWERS  
IN SHALLOW TRENCHES  
N.T.S.

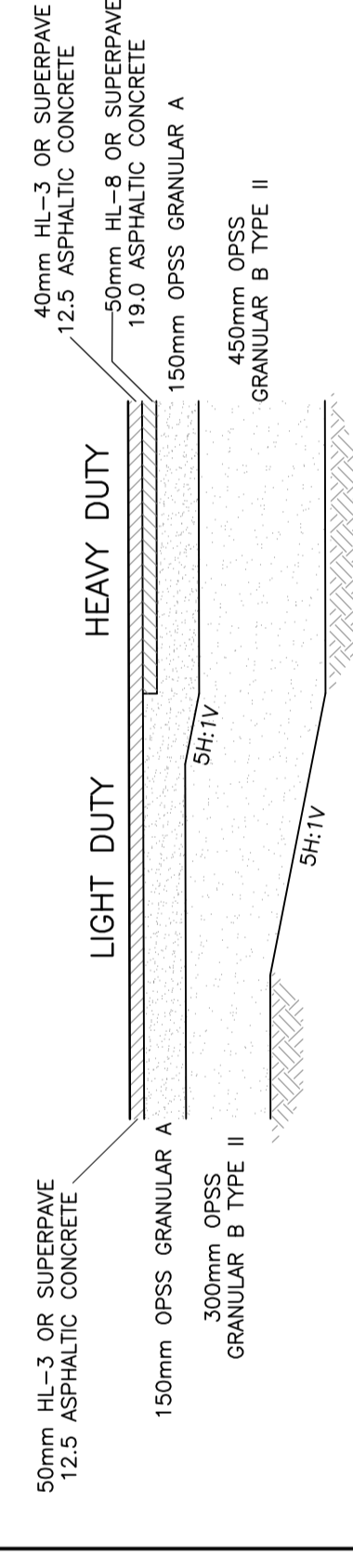


1. STRAW BALES SHALL BE BITTED TOGETHER TO CONFORM TO THE WATER FLOW THROUGH BARRIER.
2. STAKES SHALL BE EQUALLY SPACED AND CONTACT WITH GROUND.

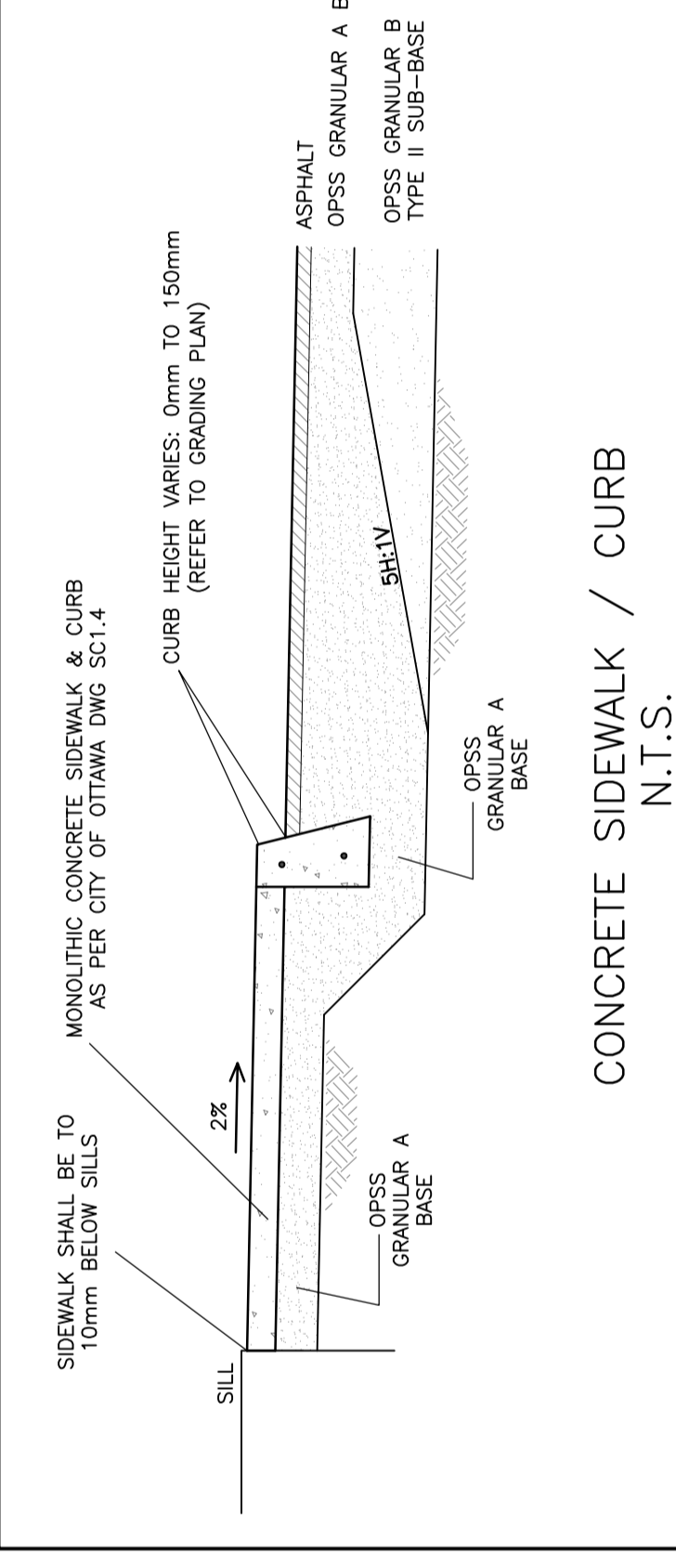
STRAW BALE FLOW  
CHECK DAM  
AS PER OPSD 219.180  
N.T.S.



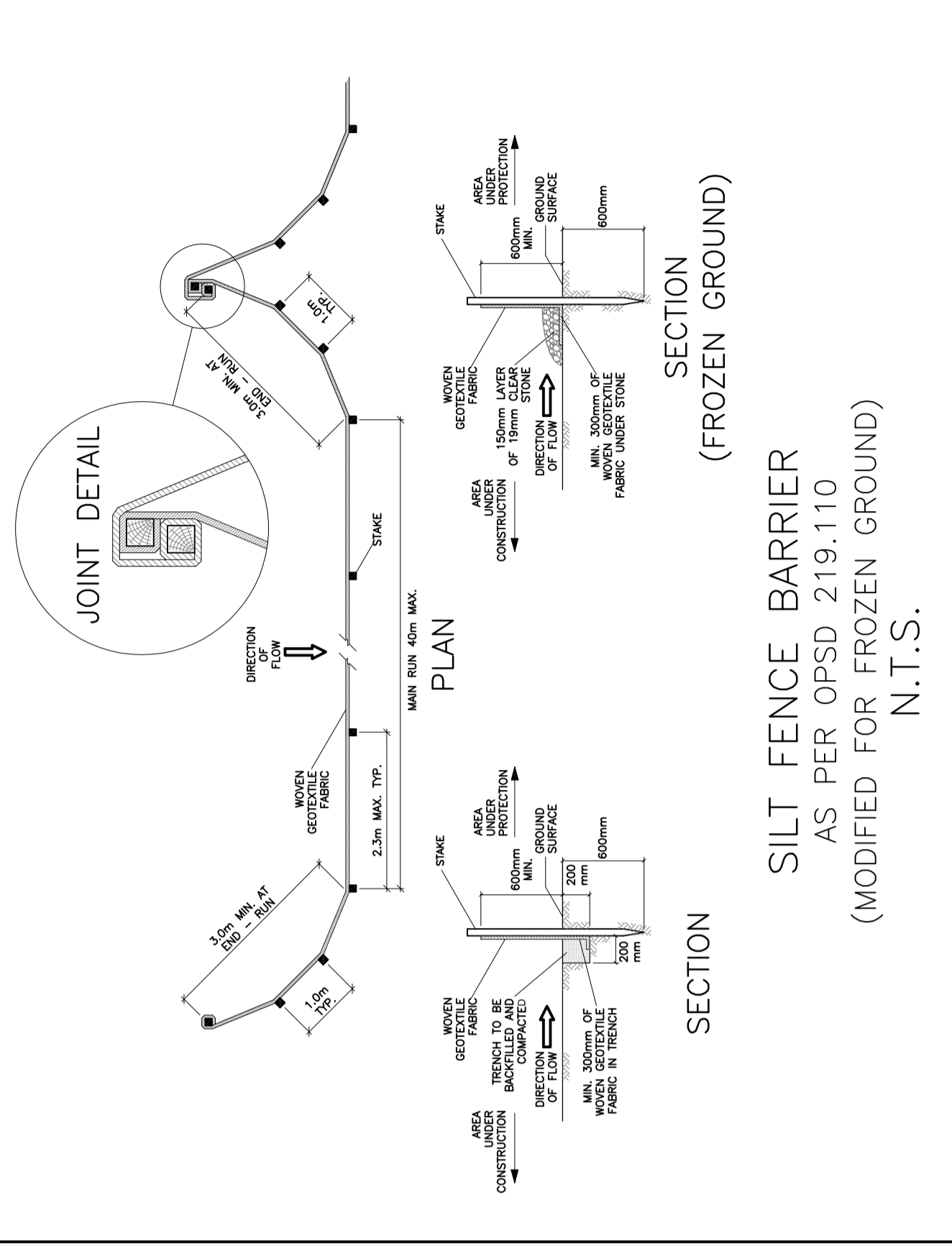
ASPHALT PAVEMENT / GRANULAR SHOULDER  
N.T.S.



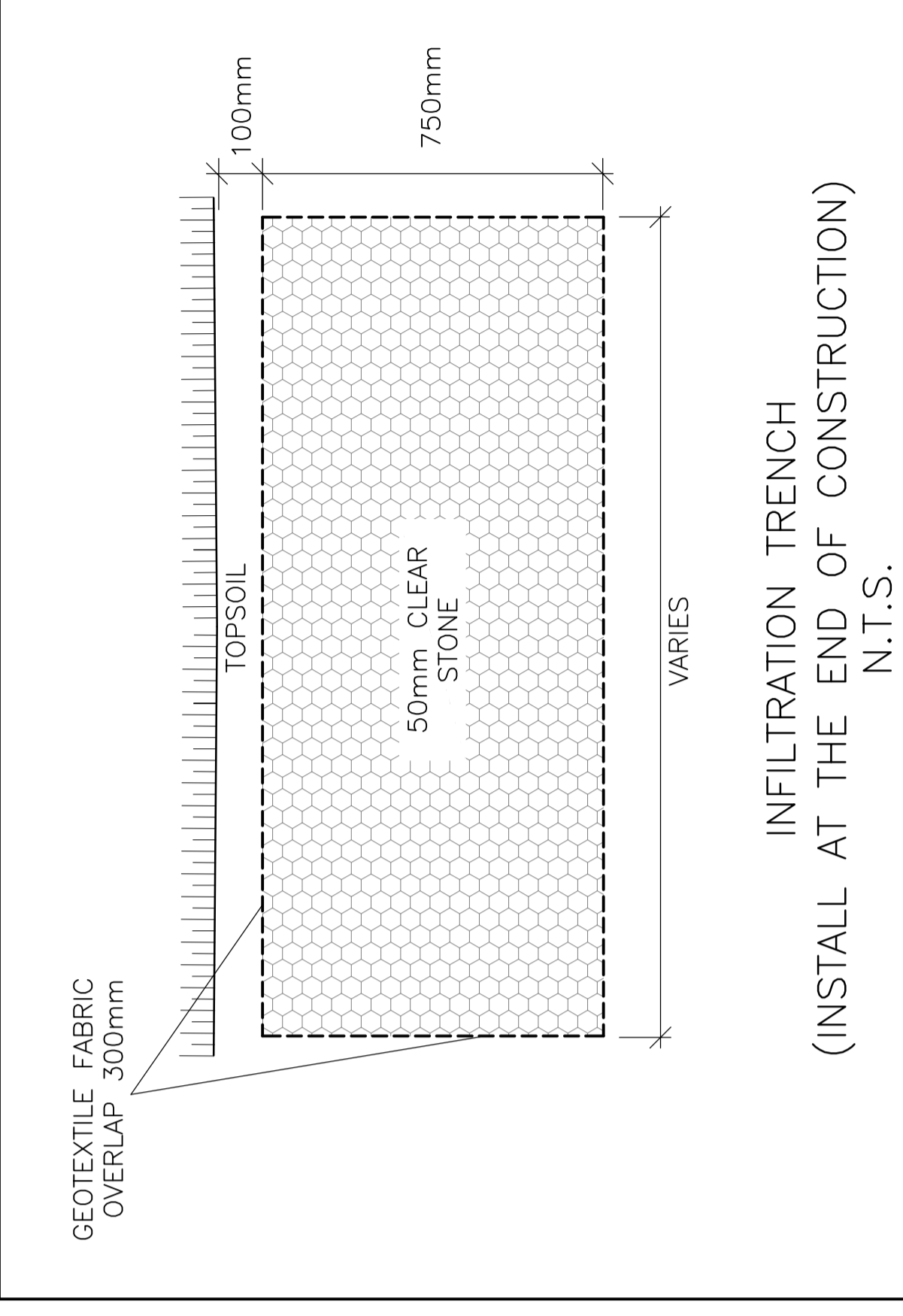
PAVEMENT STRUCTURE  
N.T.S.



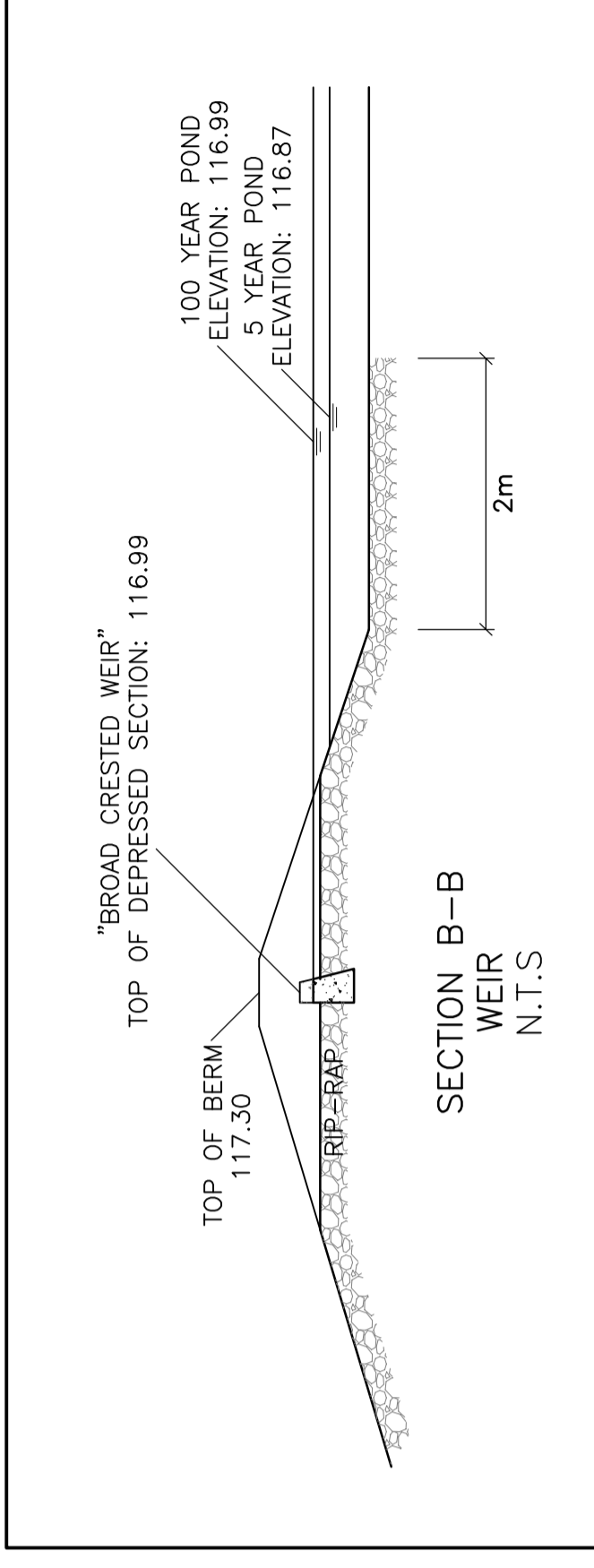
CONCRETE SIDEWALK / CURB  
N.T.S.



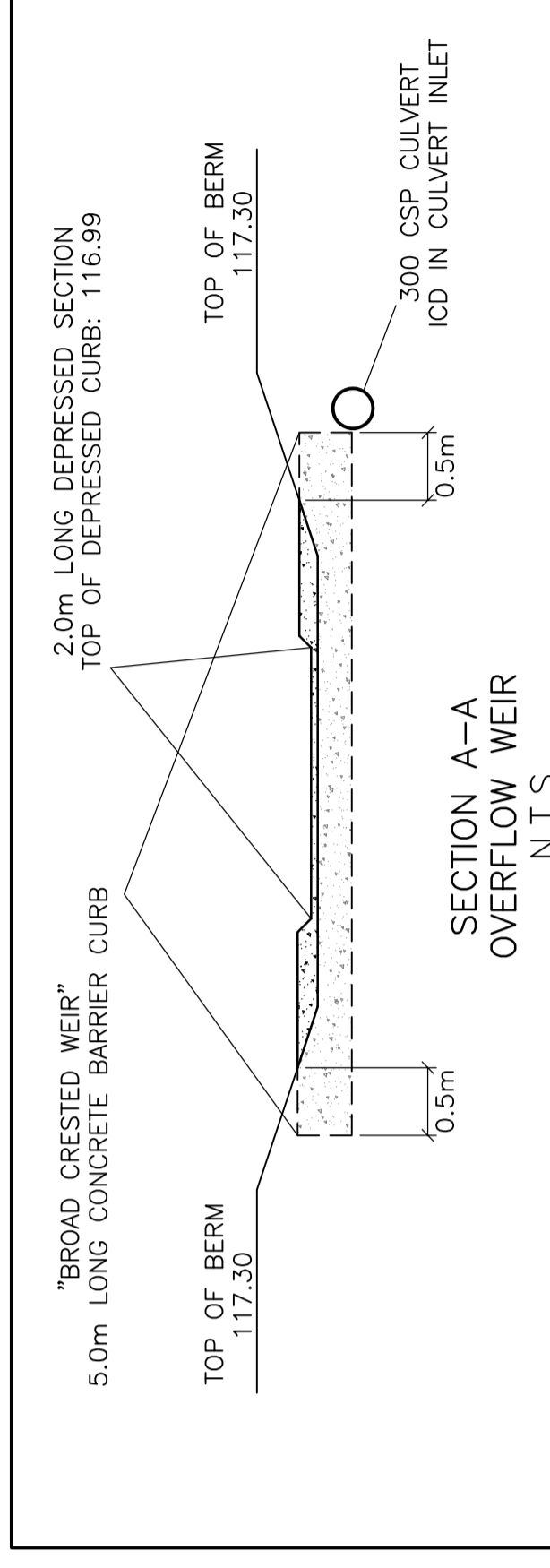
SILT FENCE BARRIER  
AS PER OPSD 219.110  
(MODIFIED FOR FROZEN GROUND)  
N.T.S.



INFILTRATION TRENCH  
(INSTALL AT THE END OF CONSTRUCTION)  
N.T.S.

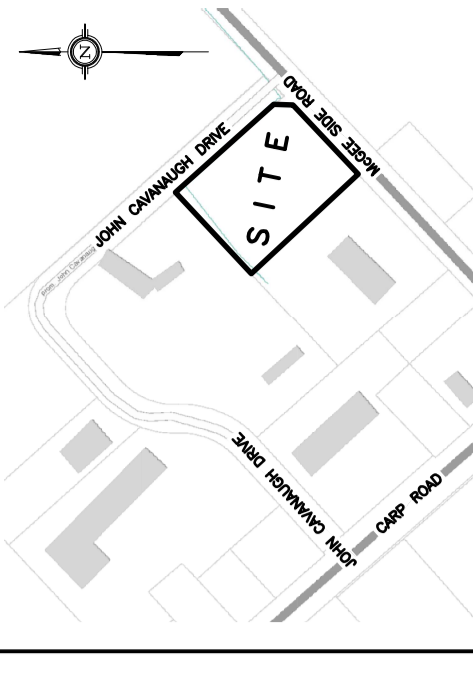


SECTION B-B  
WEIR  
N.T.S.



SECTION A-A  
OVERFLOW WEIR  
N.T.S.

KEY PLAN



No.	DATE	REVISION
2	MAR 12-21	ISSUED FOR APPROVAL
1	JAN 27-21	ISSUED FOR REVIEW & COORDINATION

**D. B. GRAY ENGINEERING INC.**  
 700 Long Point Circle  
 Ottawa, Ontario  
 613-425-8044  
 dgray@dbgrayengineering.com

**CLS ROOFING LTD  
 OFFICE & WAREHOUSE  
 2167 McGEE SIDE ROAD  
 OTTAWA, ONTARIO**

**DETAILS**

Engineer's Seal  
 D.B. GRAY  
 700 LONG POINT CIRCLE  
 OTTAWA, ONTARIO  
 613-425-8044  
 dgray@dbgrayengineering.com

Drawn: D.B.G.  
 Check: D.B.G.  
 Horz. Scale: 1:250  
 Vert. Scale: 1:250  
 Date: NOV 18-20  
 Rev. No.: 20088

Drawing No. **C-4**  
 of **5**

NOT VALID UNLESS SIGNED & DATED