

IT IS THE RESPONSIBILITY OF THE APPROPRIATE CONTRACTOR TO CHECK AND VERIFY ALL DIMENSIONS ON SITE AND TO REPORT ALL ERRORS AND/OR OMISSIONS TO THE ARCHITECT. ALL CONTRACTORS MUST COMPLY WITH ALL PERTINENT CODES AND BY-LAWS. THIS DRAWING MAY NOT BE USED FOR CONSTRUCTION UNLESS SIGNED BY THE ARCHITECT. DO NOT SCALE DRAWINGS. COPYRIGHT RESERVED.

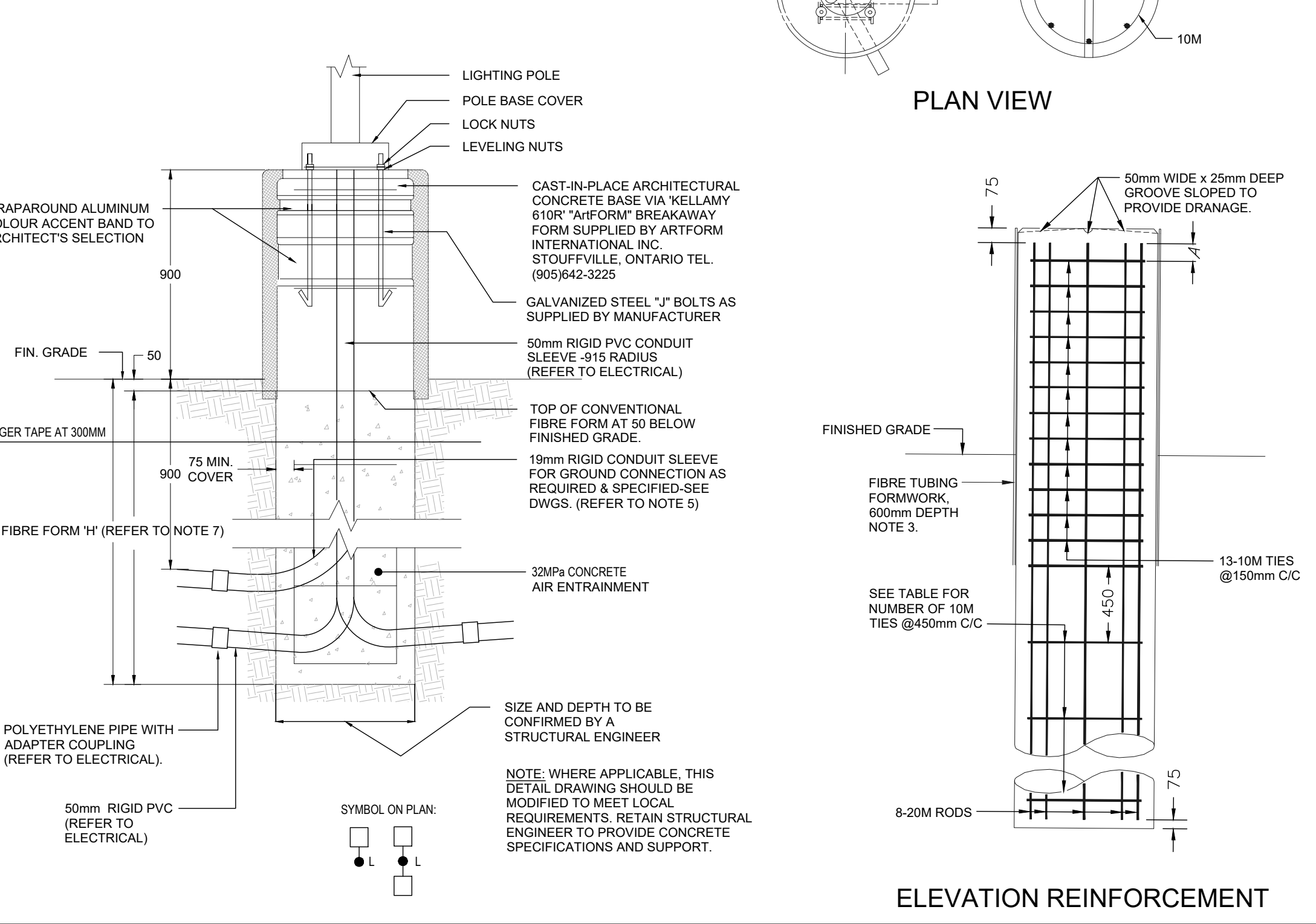
**LRT ALIGNMENT DISCLAIMER**  
 APPROXIMATE LRT TUNNEL AND SHORING ALLOWANCE LOCATION TAKEN FROM CITY OF OTTAWA DRAWINGS CONGRESSIONAL LINE WEST LRT EXTENSION - TURNKEY'S PASTURE STATION TO BASELINE STATION. PLAN AND PROFILE - NEW ONCHARD STATION 95+170 - 95+770 SHEET 18, DATED JUNE 2, 2016 & GENERAL ARRANGEMENT - RICHMOND ROAD TUNNEL SHEET 102, DATED FEBRUARY 10, 2016

No.	DESCRIPTION	DATE
5	ISSUED FOR SPA	2021/09/30
4	ISSUED FOR SPA	2021/06/09
3	ISSUED FOR SPA	2021/02/12
2	ISSUED FOR COORDINATION	2021/02/03
1	ISSUED FOR COORDINATION	2021/01/11

REVISIONS:	DATE



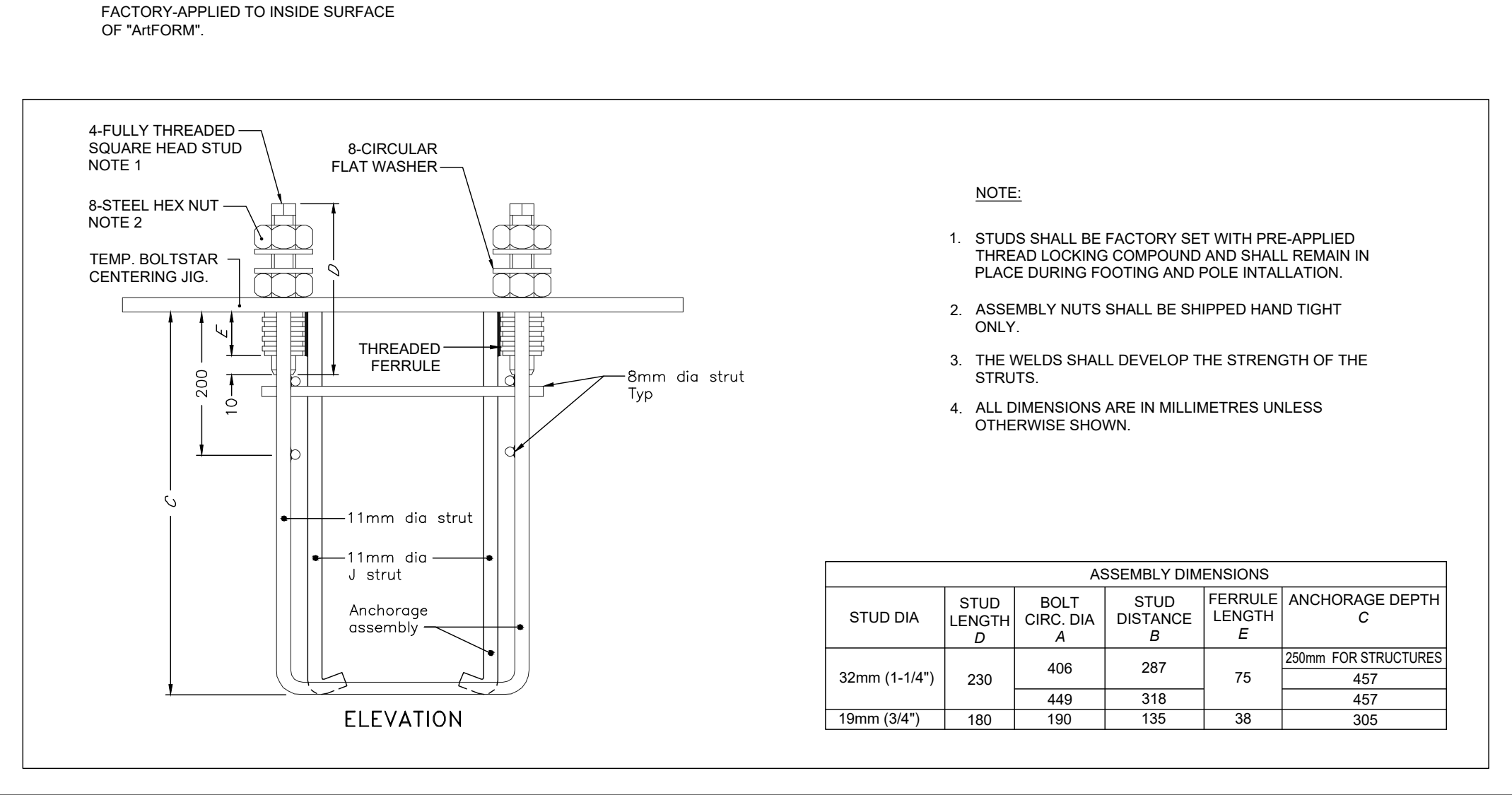
**NOTE:**  
 CONCRETE BASES FOR LUMINAIRES TO BE SUPPLIED AND INSTALLED BY THIS ELECTRICAL CONTRACTOR.



**TYPICAL CONCRETE BASE FOR LUMINAIRE N.T.S**

- ALL DIMENSIONS ARE IN MILLIMETRES OR METRES.
- CLASS OF CONCRETE SHALL BE 32MPa AIR ENTRAINMENT.
- MINIMUM OF TWO SLEEVES REQUIRED FOR EACH CONC. FOUNDATION UNLESS OTHERWISE SHOWN.
- CONTRACTOR TO VERIFY OPENING SIZE IN POLE BASE PLATE PRIOR TO SETTING CONDUIT SLEEVES. CONTRACTOR TO PROVIDE STRUCTURAL ENGINEER APPROVAL FOR BASE DESIGN.
- SUBJECT TO SOIL CONDITIONS, REFER TO SOIL REPORT.
- FORM RELEASE AGENT HAS BEEN FACTORY-APPLIED TO INSIDE SURFACE OF "W/FORM".

POLE LENGTH m	BURIAL DEPTH H m	ROD LENGTH m	A mm	NO. OF 10M TIES @450mm C/C	BOLT CIRCLE DIA FOR METAL POLES	ALUMINUM	STEEL	SECTIONAL STEEL
5.6	2.15	2.00	100	3	N/A	N/A	449	
7.0	2.15	2.00	100	3	N/A	N/A	449	
7.5	2.15	2.00	100	3	406	406	N/A	
8.7	2.45	2.30	250	3	N/A	N/A	449	
9.0	2.45	2.30	0	4	406	406	N/A	
10.5	2.80	2.45	100	4	406	406	449	
12.0	2.75	2.60	150	4	406	406	N/A	
13.8	2.90	2.75	0	5	406	406	N/A	
15.1	3.05	2.90	100	5	406	406	N/A	



**ASSEMBLY DIMENSIONS**

STUD DIA	STUD LENGTH D	BOLT CIRC. DIA A	STUD DISTANCE B	FERRULE LENGTH E	ANCHORAGE DEPTH C
32mm (1-1/4")	230	406	287	75	250mm FOR STRUCTURES
19mm (3/4")	180	190	135	38	457
					457
					305

**ELECTRICAL PHOTOMETRIC SITE PLAN 1**  
 SCALE: 1:250

**CALCULATION SUMMARY**

LABEL	CALC TYP	UNITS	AVG	MAX	MIN	AVG/MIN	MAX/MIN	LLF
PARKING	ILLUMINANCE	FC	1.41	2.6	0.6	2.35	4.33	0.90

**LIGHT FIXTURE SCHEDULE**

TYPE	DESCRIPTION
"A"	LUMINAIRE ASSEMBLY CONSISTING OF A SINGLE (1) LED LUMINAIRE WITH A TYPE II DISTRIBUTION PATTERN, HOUSE SIDE SHIELD, 347V OUTDOOR BALLAST, ON A 19" SQUARE STEEL POLE WITH BASE COVER ON CLASSICA 46R CONCRETE BASE. COLOUR OF FINISH OF POLE AND HEAD TO ARCHITECT/OWNER SELECTION. NLS LIGHTING CAT # 1-TRC3-T4-32L-7-30KHV-SGL-CS-HS-18
"A1"	LUMINAIRE ASSEMBLY CONSISTING OF A DOUBLE (2) LED LUMINAIRE WITH A TYPE II DISTRIBUTION PATTERN, 347V OUTDOOR BALLAST, ON A 19" SQUARE STEEL POLE WITH BASE COVER ON CLASSICA 46R CONCRETE BASE. COLOUR OF FINISH OF POLE AND HEAD TO ARCHITECT/OWNER SELECTION. NLS LIGHTING CAT # 1-TRC3-T4-16L-35-30KHV-D-180-CS-18
"A2"	LUMINAIRE ASSEMBLY CONSISTING OF A SINGLE (1) LED LUMINAIRE WITH A TYPE IV DISTRIBUTION PATTERN, 347V OUTDOOR BALLAST, ON A 19" SQUARE STEEL POLE WITH BASE COVER ON CLASSICA 46R CONCRETE BASE. COLOUR OF FINISH OF POLE AND HEAD TO ARCHITECT/OWNER SELECTION. NLS LIGHTING CAT # 1-TRC3-T4-16L-7-30KHV-SGL-CS-18
"A3"	LUMINAIRE ASSEMBLY CONSISTING OF A SINGLE (1) LED LUMINAIRE WITH A TYPE IV DISTRIBUTION PATTERN, HOUSE SIDE SHIELD, 347V OUTDOOR BALLAST, ON A 19" SQUARE STEEL POLE WITH BASE COVER ON CLASSICA 46R CONCRETE BASE. COLOUR OF FINISH OF POLE AND HEAD TO ARCHITECT/OWNER SELECTION. NLS LIGHTING CAT # 1-TRC3-T4-32L-7-30KHV-SGL-CS-HS-18
"B"	LUMINAIRE BOLLARD ASSEMBLY CONSISTING OF A SINGLE (1) LED LUMINAIRE WITH A TYPE II DISTRIBUTION PATTERN, 120V OUTDOOR BALLAST, ON A 4" SQUARE STEEL POLE WITH BASE COVER ON CLASSICA 25R CONCRETE BASE. COLOUR OF FINISH OF BOLLARD TO ARCHITECT/OWNER SELECTION. NLS LIGHTING CAT # 1-TBL-42-T3-16L-63-30KHV-UNI-AB-CS
"S"	4" ROUND SOFFIT LIGHT SUITABLE FOR OUTDOOR USE CW 120V BALLAST AND WET LOCATION TRIM. REFLECTOR FINISH TO ARCHITECTS SELECTION. H.E. WILLIAMS 40R-TL-15B30-0M-120-UV-OF-WH-WET-CC
"W"	WALL MOUNTED 18" HIGH LUMINAIRE CONSISTING OF A SINGLE (1) LED LUMINAIRE WITH A 19W LED LAMP, 120V OUTDOOR USE BALLAST, COLOUR OF FINISH OF FIXTURE TO ARCHITECTS SELECTION. LAMP SHALL BE SUPPLIED WITH THE FIXTURE AND SUITABLE FOR OUTDOOR USE. SOLERA CORP LIGHTING CAT # 02W-70-19W-36LUV-WM-DAL-F-W-CC

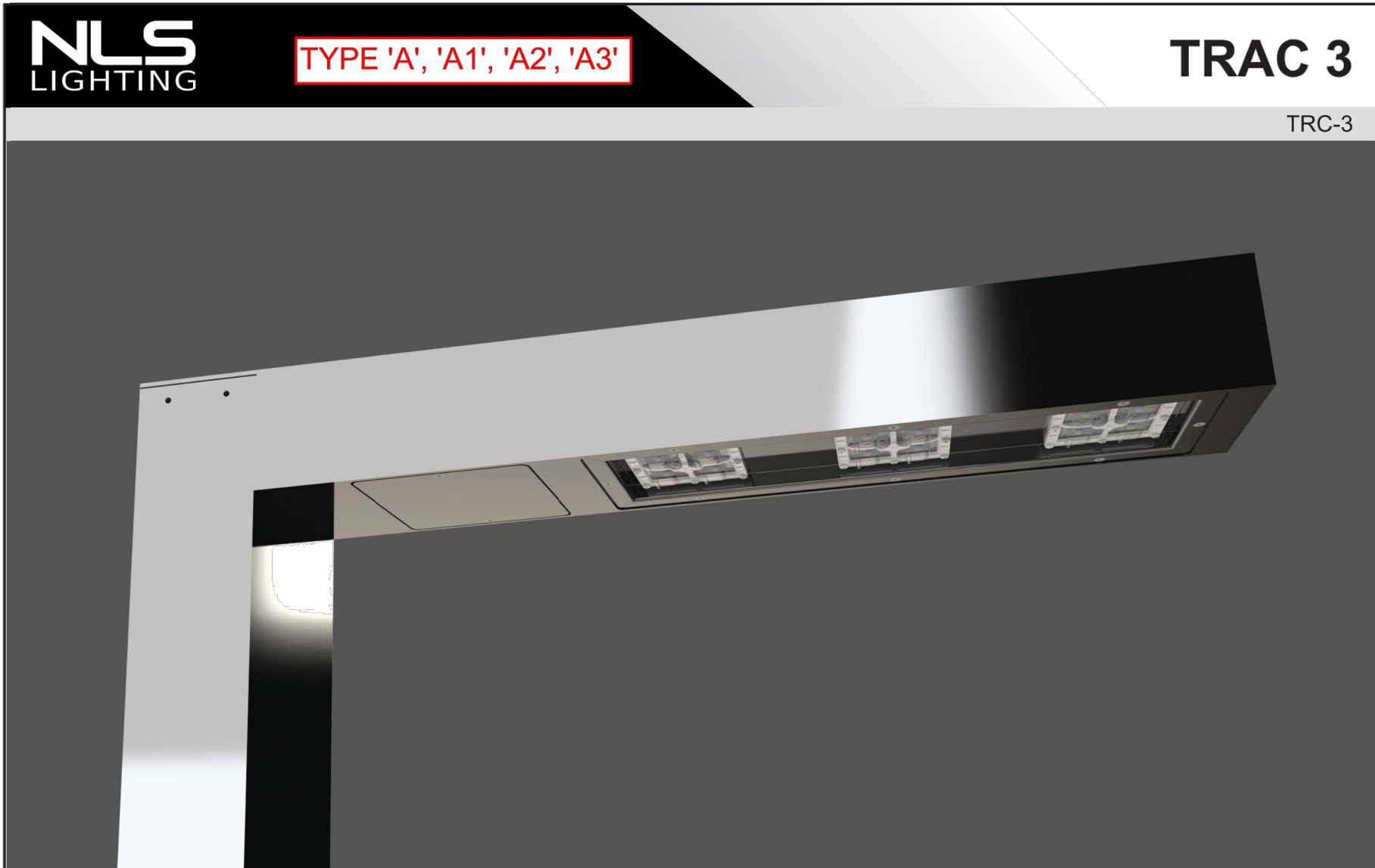
**h HAMMERSCHLAG & JOFFE INC.**  
 43 Leslie Road Toronto, Ontario Canada M3B 2T8  
 T (416) 444-5933  
 F (416) 444-1463

PROJECT TITLE:  
**35 HUNTMAR DRIVE & 21 HUNTMAR DRIVE**

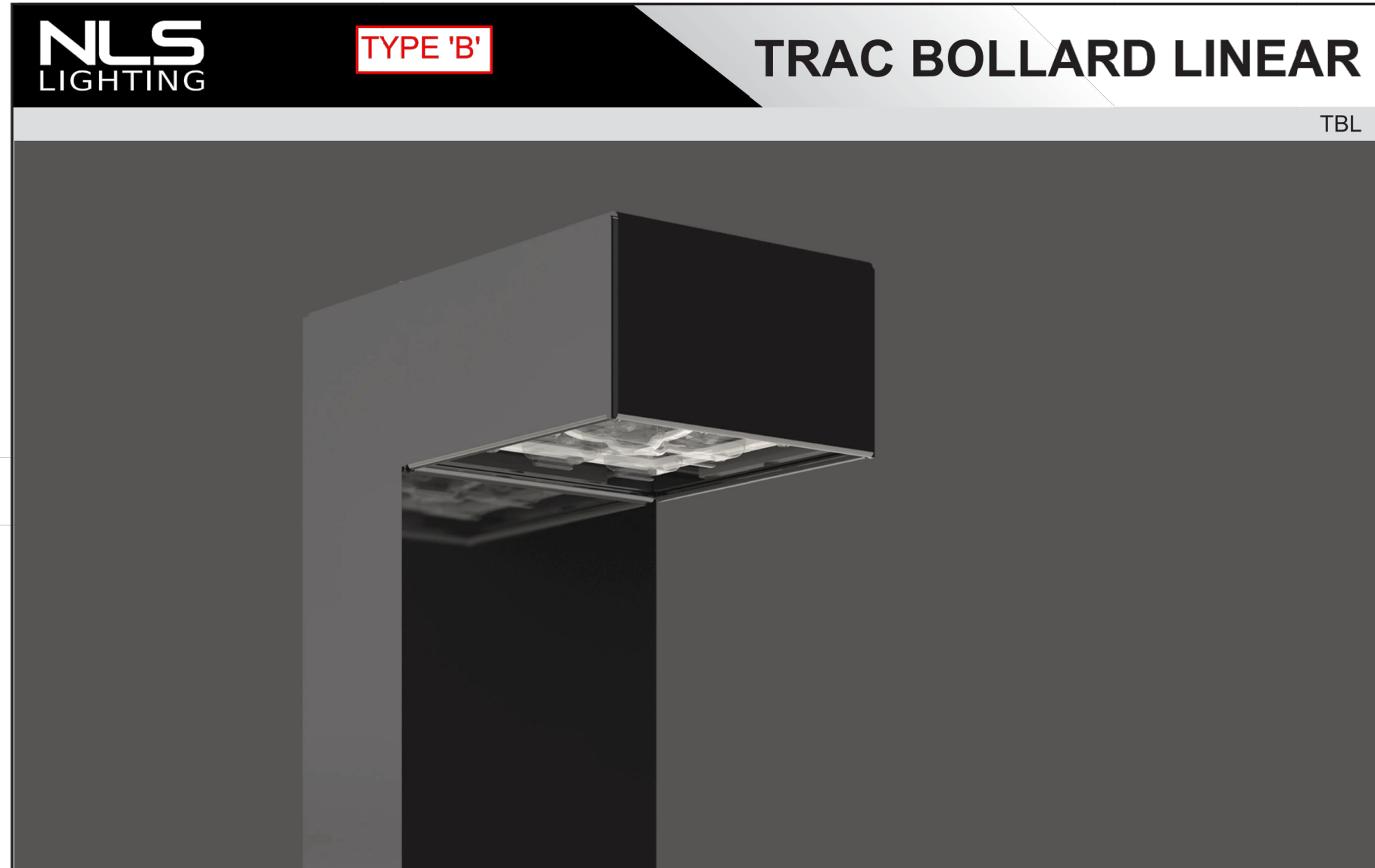
SHEET TITLE:  
**ELECTRICAL PHOTOMETRIC SITE PLAN**

DRAWN: DN  
 CHECKED: BK  
 SCALE: 1:250  
 SHEET No.: **ESP1**  
 PROJECT No.: 20-000-171

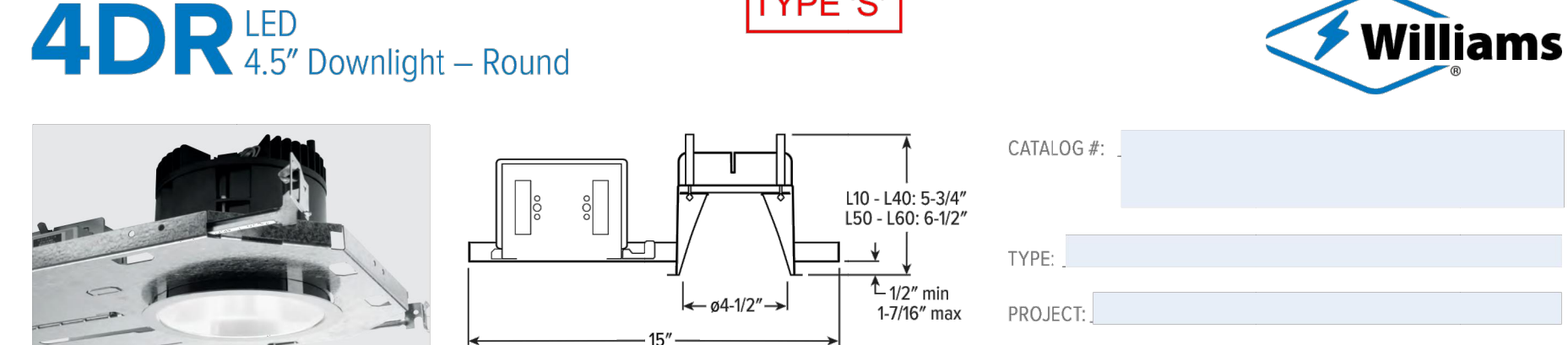
D07-12-21-0055



- Form**
- 5 Architectural Sizes Available for any Project Scale
  - 2 Architectural Wall Sconces
  - 2 Architectural Bollards
  - 1 Architectural Pendant/Ceiling Mount
  - Elegant Rectilinear Extruded Aluminum Housing
  - Corrosion Resistant Stainless Steel External Hardware
  - Sleek, low profile housing
  - Spec grade performance
  - Engineered for optimum thermal management
  - Anchor Base Plate for easy installation
  - 8 Architectural finishes standard, RAL colors available
- Function**
- Micro Optics IES Distributions T2, T3, T4, T5
  - Lumileds Luxeon MX LEDs
  - Philips Advance 0-10V Dimming Drivers THD @ Max Load < 15% Power factor @ Max Load < 0.95
  - 3000, 4000, or 5000 Kelvin
  - 16L TO 64L LED Configuration
  - 18-205 Watts (Single Head Wattage)
  - <CRI 70
  - Extruded Aluminum Heat Sink
  - Driver Separate from Light Engine for Superior Thermal Management
  - 5 mils Powder Coat
- Reliability**
- 30 Year Lighting Solution
  - L70 483,000 Hours
  - L90 160,000 Hours
  - Silicone Micro Optics
  - 5 Year Standard Warranty
  - IP 65 Rated Fixture
  - IP67 Optics
  - UL Listed
  - Reduces energy consumption and costs up to 65%
- Design Flexibility**
- Mid Pole Fixture



- Form**
- 2 Architectural Bollard Styles
  - Elegant Rectilinear Extruded Aluminum Housing
  - Corrosion Resistant Stainless Steel External Hardware
  - Sleek, low profile housing
  - Spec grade performance
  - Engineered for optimum thermal management
  - Anchor Base Plate for easy installation
  - 8 Architectural finishes standard, RAL colors available
- Function**
- Micro Optics IES Distributions T2, T3, T4
  - Lumileds Luxeon MX LEDs
  - Philips Advance 0-10V Dimming Drivers THD @ Max Load < 15% Power factor @ Max Load < 0.95
  - 3000, 4000, or 5000 Kelvin
  - 16L TO 64L LED Configuration
  - 18-205 Watts (Single Head Wattage)
  - <CRI 70
  - Extruded Aluminum Heat Sink
  - Driver Separate from Light Engine for Superior Thermal Management
  - 5 mils Powder Coat
  - Available with dimming control motion sensor
- Reliability**
- 30 Year Lighting Solution
  - L70 483,000 Hours
  - L90 160,000 Hours
  - Silicone Micro Optics
  - 5 Year Standard Warranty
  - IP 65 Rated Fixture
  - IP67 Optics
  - UL Listed
  - Reduces energy consumption and costs up to 65%



**NEW CONSTRUCTION AND REMODEL**

**FEATURES**

- **TrimLock** – Innovative TrimLock reflector retention system ensures trim remains flush with ceiling plane
- Industry-leading efficacies as high as 113 lm/W – ENERGY STAR® certified
- Available on QuickShip
- **TRIMLOCK** – Innovative TrimLock reflector retention system ensures the trim remains flush with the ceiling plane
- **OPEN REFLECTOR** – Low-iridescent anodized aluminum. Clear semi-specular finish standard
- **LENSED TRIM** – Die-cast aluminum frame with micro-optic, tempered glass lens
- **ELECTRICAL** – High-performance Class 2 C.O.B. LED array. Modular quick-connect plug for easy field connection of LED light assembly to driver. Reported L70-55,000 hours. Reported L90-35,000 hours. Estimated L70 > 200,000 hours.
- **MOUNTING** – Recessed, 20 ga. galvanized steel mounting pan for new construction or IC-rated enclosure. Remodel kit option includes receiver bracket hardware. Minimum 2" D.C. marked spacing required for L50 and L60 lumen packages.
- **LISTINGS** – c-ULsa conforms to UL STD 1598, Certified to CAN/CSA STD C22.2 No. 250.0 for damp locations. LED light assembly conforms to UL 2108 for remote installation. Suitable for wet location under covered ceiling when specified with WET/CC or TD options. ENERGY STAR® certified in select configurations, see www.energyspec.gov. IC-rated for direct contact with mounting type when specified with Mounting Type. City of Chicago Environmental Air Approval when specified with CP option. Complies with ASTM D2838 when specified with ATH option. RoHS compliant. Type 24 (AB) compliant in select configurations, see www.energyspec.com/energy.ca.gov. WARRANTY – 5-year limited warranty, see hew.com/warranty.

**HOUSING**

SERIES	LUMENS (1)	CRI	CCT	OPTIONS	CONTROL (2)	VOLTAGE
4DR-TL	L10 1,000lm (1)	80	27 2700K	SCA...	SCA...	UNV 120-277V
TrimLock	L15 1,500lm	90 (H)	30 3000K	ATH	Dimming driver, 347 347V (H)	
	L20 2,000lm		35 3500K	F	% Dimming driver, 0-10V	
	L30 3,000lm		40 4000K	EM/7W		
	L40 4,000lm		50 5000K	EM/10W		
	L50 5,000lm			EM/10W/RTS		
	L60 6,000lm			CP		

**TRIM (1)**

TRIM TYPE	DISTRIBUTION (1)	FLANGE TYPE	REFLECTOR FINISH	TRIM OPTIONS
O Open reflector	W Wide	OF 1/2" Standard flange	Open trim types CS Clear semi-specular anodize SG Satin-glow anodize GD Gold anodize CC Champagne gold anodize PW Powder anodize	MWT Textured white trim flange (H) IP IP65 rated trim (2) AD Diffuse acrylic lens (2) PD Diffuse IP67 polycarbonate lens (2) TD Diffuse polycarbonate lens media at top of open reflector (H) WET/CC Wet location, covered ceiling listed (H) AM Anti-microbial (H)
R Regressed lens	50° Regressed Medium (M)	50° Regressed Medium (M)	WH White texture powder coat BL Black texture powder coat	
A Angled lens (1)	45° Open	45° Open	WH White texture powder coat BL Black texture powder coat	
S Semi-conductive flush lens for shower applications (1)	35° Flush 30° Regressed	35° Flush 30° Regressed	WH White texture powder coat BL Black texture powder coat MB Black texture splay with white flange (2)	
N Narrow (1)	25° Flush	25° Flush		
WW Wall wash (2)	25° Regressed			

**MOUNTING**

MOUNTING TYPE (2)	MOUNTING HARDWARE (2)
N Open pan for new construction	F1 Integral 2-position fixed pan bracket, universal bar hanger included (2)
O IC-rated enclosure for new construction (2)	BAJ Adjustable butterfly pan bracket, bar hanger not included (1)
R Remodel kit (1)	CAJ Adjustable caterpillar pan bracket, universal bar hanger included (2)

**NOTES**

- Lumen output based on O trim type, W distribution and CS finish, 3500K/80CRI. Actual lumens may vary +/-5%, see page 2 for FUTURE PERFORMANCE DATA.
- See page 4 for ADDITIONAL CONTROL OPTIONS.
- Not available with WW Distribution only.
- Extended lead times may apply. Consult factory for availability.
- IP aperture, specify degrees of slope in 5° increments, 05°-30°. See page 4 for SLOPED CEILING ADAPTOR DETAILS. Not available with ATH option. N Mounting Type only. Not available with WET/CC.
- Not available with EM batteries or DMX controls.
- N and R Mounting Types only.
- N and R Mounting Types only.
- Not available with WET/CC, ATH or IP options. N and R Mounting Types only. See page 5 for EM/10W/RTS DETAILS.
- Mounting Type required.
- May be required for 347V, see product bulletin at hew.com/product-bulletin.
- Trim steps separately.
- Beam angle based on CS or WH reflector finish.
- Available with WW Distribution only.
- W Distribution, OF Flange Type, WH Reflector Finish only. Standard with AD diffuse acrylic lens. IP and WET/CC options standard.
- Not available with lumen stops L50 and higher when specified with flush or regressed trim types.
- Not available with lumen stops L60 and higher when specified with flush or regressed trim types.
- O and R Trim Types only.
- For use with mud-in plaster construction only, supplied with mud flange installation kit. See page 5 for FLANGE TYPE DETAILS. Not available with ATH or IP options.
- Not available with WH Reflector Finish, L or S Trim Types.
- L and R Trim Types only.
- Not available with O trim type, W bolder at new construction only.
- Not available with O trim type, W distribution only.
- O Trim Type only, WET/CC standard, L50 lumen package max with O Trim Type.
- WH and BL Reflector Finishes only. Not available with S Trim Type.
- R Trim Type only. Not available with MWT.
- Mounting hardware required (N and only), ordered separately, see MOUNTING HARDWARE DETAILS. See page 5 for MOUNTING TYPE DETAILS.
- Additional mounting hardware options available. See page 6 for MOUNTING HARDWARE DETAILS.
- L50 lumen package max, L30 available, wide distribution only for least lead time.
- Also used in new construction sheetrock ceilings.
- N and I Mounting Types only. I Mounting requires external brackets.
- N Mounting Type only.

Project Name: \_\_\_\_\_ Type: **TYPE 'A', 'A1', 'A2', 'A3'**

**TRC-3 ORDERING GUIDE** \*Ordering information for Pole & Fixture

Cat#	Light Dist.	No. of LEDs	Milliamps	Kelvin Temp	Volts	Config.	Color	Options
Trac-3 (TRC-3)	Type 2 (T2)	16 (16L)	700 (7)	3000K (30K)	120-277 (UNV)	Single (SGL)	Bronze Textured (BRZ)	Surge Protector (10K)
	Type 3 (T3)	32 (32L)	1050 (1)	4000K (40K)	340-480 (HV)	Double (D-180)	White Textured (WHT)	Nema 7-Pin Receptacle (PE7)
	Type 4 (T4)	48 (48L)	5000K (50K)			MPF Triple (TR1)	Smooth White Gloss (SWT)	Photocell (PC)
	Type 5 (T5)					MPF Quad (QD)	Silver Textured (SVR)	*Universal Voltage 120-277
						MPF Mid Pole Fixture	Black Textured (BLK)	Dimming Control with Motion Sensor (UNV Voltage) (DC-20)
							Smooth Black Gloss (SBK)	For 9'-20' (DC-40)
							Graphite Textured (GPH)	For 21'-40'
							Grey (GRY)	Marine Grade Finish (MGF)
							Custom (CS)	House Side Shield (HSS)
								Rotated Optic Left (ROL)
								Rotated Optic Right (ROR)

Pole Height	MPF Fix	MPF LEDs	MPF mA	MPF Height	MPF Orient
16' (16)	Trac 3 (TRC-3)	16 (16L)	350 (35)	12' (12)	Single Right (SGLR)
18' (18)	Trac 2 (TRC-2)	32 (32L)	530 (53)	14' (14)	Single Left (SGLL)
20' (20)	Trac 1 (TRC-1)	48 (48L)	700 (7)	16' (16)	
22' (22)			1050 (1)	MPF Height From Ground	

NLS LIGHTING 701 Kingshill Place, Carson, CA 90746 P: (310) 341-2037 nslighting.com

Project Name: \_\_\_\_\_ Type: **TYPE 'B'**

**TBL ORDERING GUIDE**

Cat#	Length	Light Dist.	No. of LEDs	Milliamps
Trac Linear Bollard (TBL)	24 in (24)	Type 2 (T2)	16 (16L)	175 (175)
	36 in (36)	Type 3 (T3)		350 (35)
	42 in (42)	Type 4 (T4)		530 (53)
				700 (7)
				1050 (1)

Kelvin	Volts	Mounting	Color	Options
3000K (30K)	120-277 (UNV)	Anchor Base (AB)	Bronze Textured (BRZ)	Surge Protector (10K)
4000K (40K)			White Textured (WHT)	Dimming Control with Motion Sensor (UNV Voltage) (DC-8)
5000K (50K)			Smooth White Gloss (SWT)	For 9' and below
			Silver Textured (SVR)	Marine Grade Finish (MGF)
			Black Textured (BLK)	Finish (MGF)
			Smooth Black Gloss (SBK)	Dual Head (DH)
			Graphite Textured (GPH)	
			Grey (GRY)	
			Custom (CS)	

NLS LIGHTING 701 Kingshill Place, Carson, CA 90746 P: (310) 341-2037 nslighting.com

H.E. Williams, Inc. • Carthage, Missouri • www.hew.com • 417-358-4065 • Designed and Manufactured in the USA REV2/08/20,70694.LA Dowlights Page 1 of 6

**Solera** 1610 Sismet Road, Mississauga, Ontario L4W 1R4, Canada Toll Free: 1.877.765.3722 Fax: 905.457.1115 www.soleracorp.com

Date: \_\_\_\_\_

Quote #: \_\_\_\_\_

Project Name: \_\_\_\_\_ Type: **TYPE 'W'**

**DGW - Wall Mount**

Description: Fabricated aluminum housing construction with silicone gasket for weather seal. Several aluminum bar designs available. Contact for custom.

Name	Engine	Lumens	CCT	Electrical	Mounting	Lens	Pattern	Options	Finish
DGW-2C	12"X38" 60 LED (Max)	10560 (3G Version)	2700K	UNV 120-277V					
DGW-2UD	2P132		3000K	HLV 347-480V					
DGW-3G	27B1AX		3500K	TT Tri-Tap(HID)					
DGW-7G			4000K	MT Multi-Tap(HID)					
DGW-75PL			5000K						
DGW-4G-PERF									
DGW-PERF									

Mounting	Lens	Light Pattern	Options	Finishes
WM Wall mount	OAL Opal acrylic lens (Std)	UDF Up, down & front light (std)	DM 0-10V dimming	Black
	ABL Alabaster lens	F Front light	PC Button photocell	BL White
			WL Wet location	SG Silver Grey
			SF Single fuse	BZ Bronze
			EM Emergency battery	Custom
			RB Remote ballast/driver	CC Custom Color
			TP Tamperproof hardware	See website for custom colors. Contact factory for physical samples.
			TS Tamperproof screws	
			RGBW Programmable color changing LEDs	

• Lumens are based on max wattage & 5000K CCT  
• ES files available upon request  
• Std - Standard Offering

Since product development is an on-going process, Solera reserves the right to change the information on this spec sheet. Date Modified: 09-18-2019

1

IT IS THE RESPONSIBILITY OF THE APPROPRIATE CONTRACTOR TO CHECK AND VERIFY ALL DIMENSIONS ON SITE AND TO REPORT ALL ERRORS AND/OR OMISSIONS TO THE ARCHITECT. ALL CONTRACTORS MUST COMPLY WITH ALL PERTINENT CODES AND BY-LAWS. THIS DRAWING MAY NOT BE USED FOR CONSTRUCTION UNTIL SIGNED BY THE ARCHITECT. DO NOT SCALE DRAWINGS. COPYRIGHT RESERVED.

**LRT ALIGNMENT DISCLAIMER**

APPROXIMATE LRT TUNNEL AND SHORING ALLOWANCE LOCATION TAKEN FROM CITY OF OTTAWA DRAWINGS CONFEDERATION LINE WEST LRT EXTENSION - TURNKEY'S PASTURE STATION TO BASELINE STATION. PLAN AND PROFILE - NEW ORCHARD STATION 95+170 - 95+770 SHEET 18, DATED JUNE 2, 2016 & GENERAL ARRANGEMENT - RICHMOND ROAD TUNNEL SHEET 102, DATED FEBRUARY 10, 2016

No.	DESCRIPTION	DATE
5	ISSUED FOR SPA	2021/09/30
4	ISSUED FOR SPA	2021/06/09
3	ISSUED FOR SPA	2021/02/12
2	ISSUED FOR COORDINATION	2021/02/03
1	ISSUED FOR COORDINATION	2021/01/11

REVISIONS:

SEAL:

NORTH ARROW:

CLIENT: \_\_\_\_\_

**h HAMMERSCHLAG & JOFFE INC.**  
43 Lesmill Road Toronto, Ontario Canada M3B 2T8  
T: (416) 444-9383 F: (416) 444-1463

PROJECT TITLE:  
**35 HUNTMAR DRIVE & 21 HUNTMAR DRIVE**

SHEET TITLE:  
**ELECTRICAL SITE PLAN DETAILS**

DRAWN:	CHECKED:
DN	BK

SCALE:	SHEET No.
NTS	ESP2

DRAWN:	CHECKED:
NTS	BK

PROJECT No.	PROJECT No.
20-000-171	ESP2

D07-12-21-0055