

# □-Train Corridor

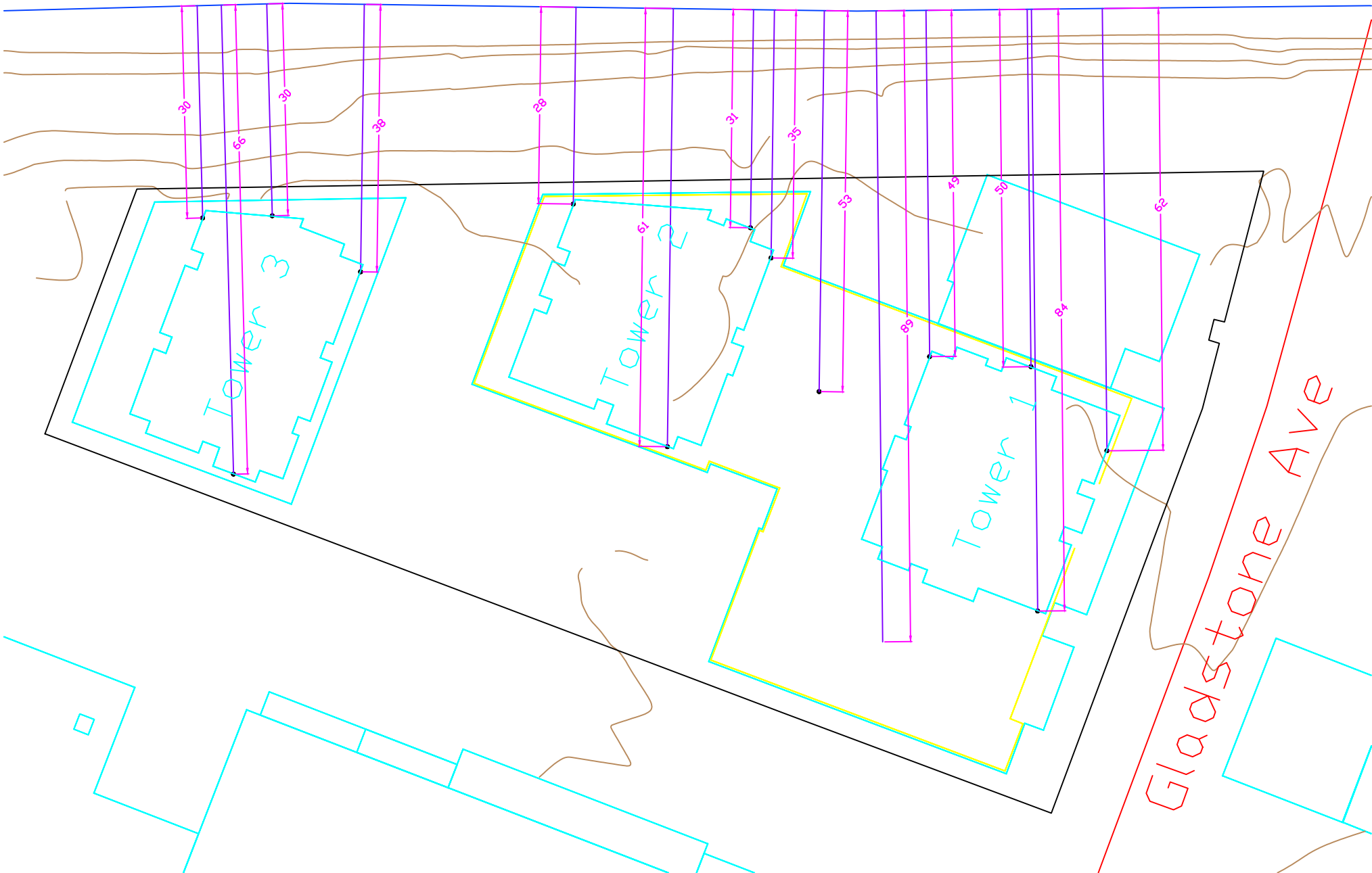


FIGURE E.1 - RECEIVER DISTANCES FROM □-TRAIN CORRIDOR  
NOISE IMPACT STUDY - 145 LORETTA AVE N & 951 GLADSTONE AVE, OTTAWA

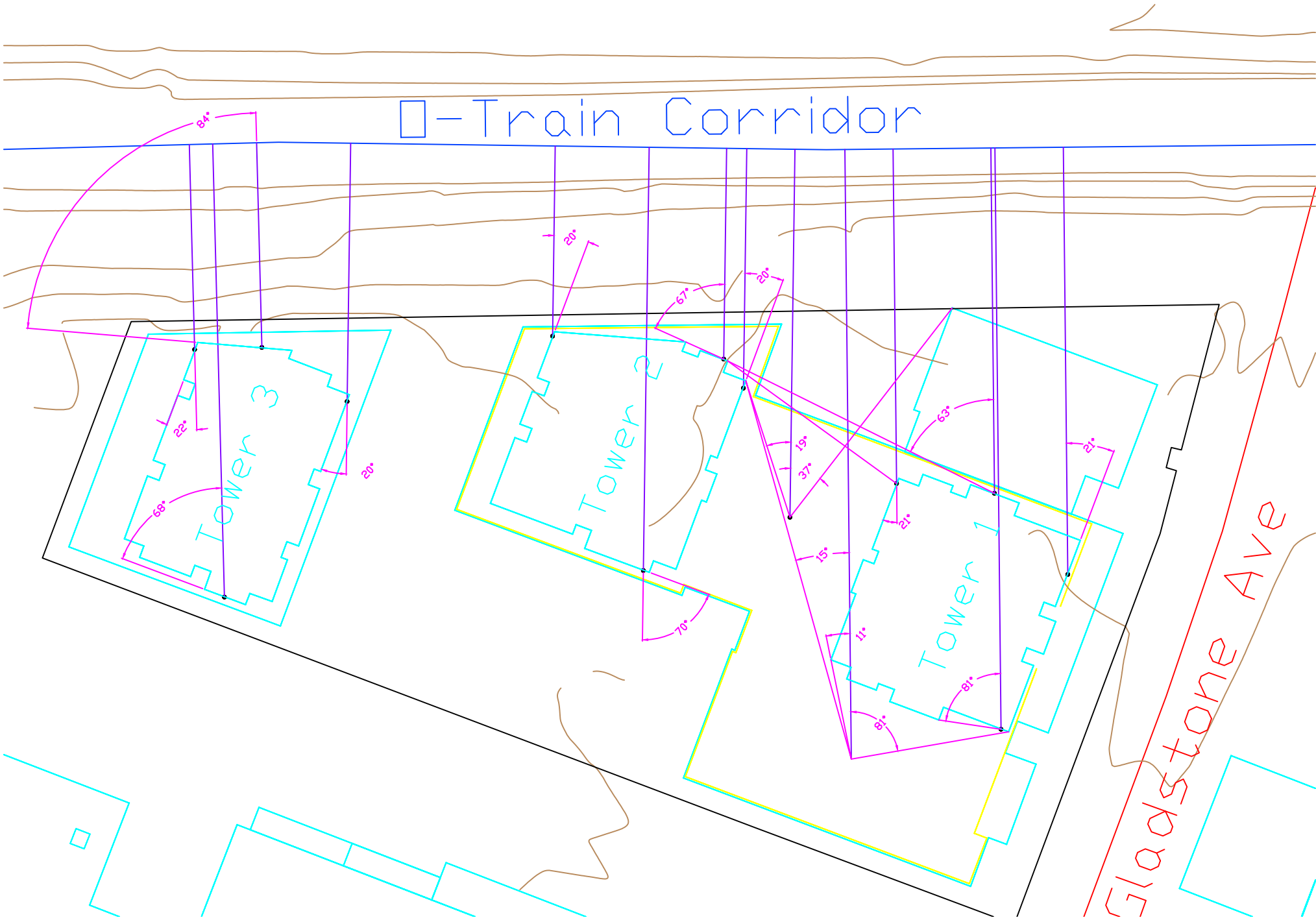


FIGURE E.2 - RECEIVER EXPOSURE ANGLES TO O-TRAIN CORRIDOR  
 NOISE IMPACT STUDY - 145 LORETTA AVE N & 951 GLADSTONE AVE, OTTAWA

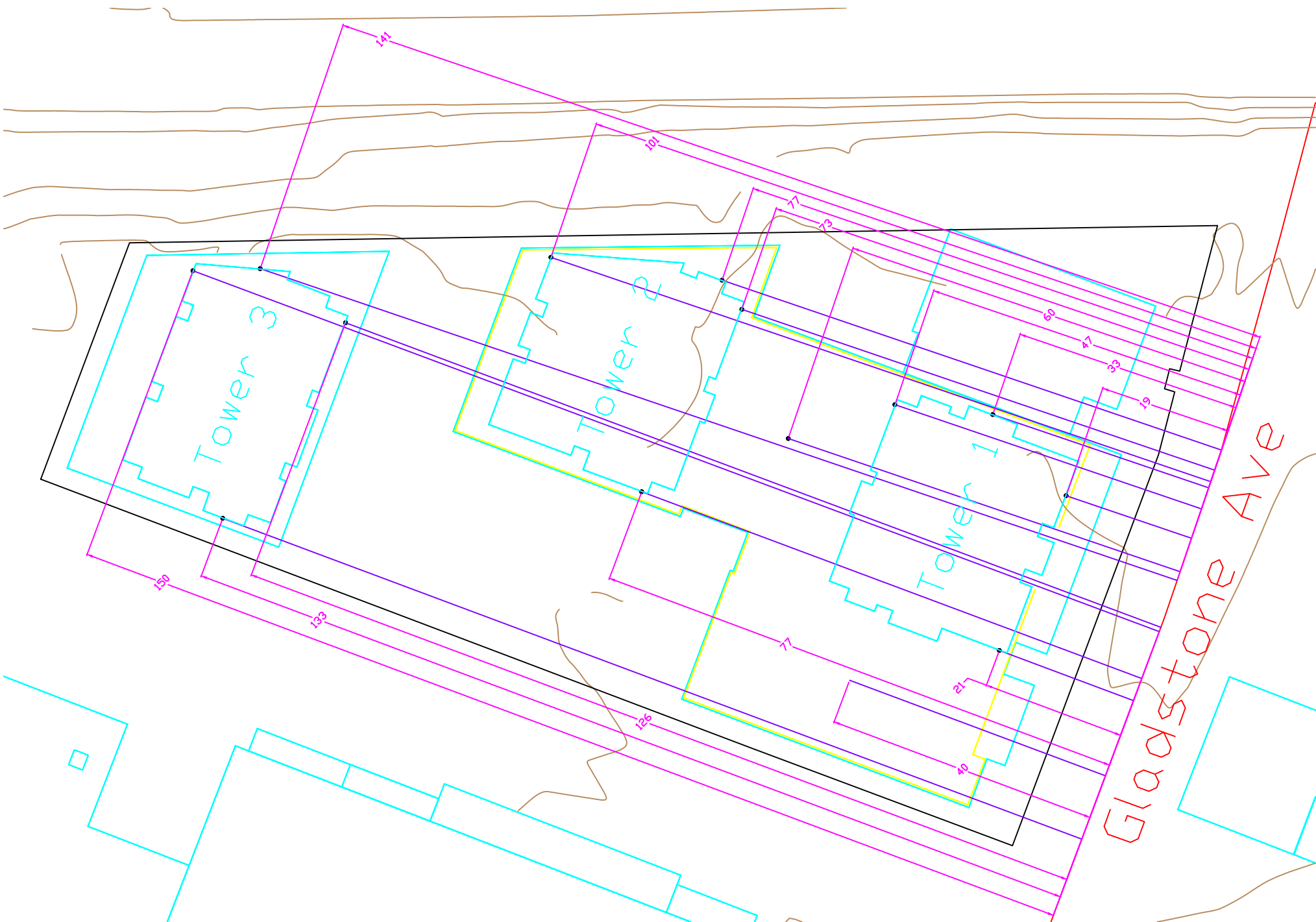


FIGURE E.3 - RECEIVER DISTANCES FROM GLADSTONE AVE  
 NOISE IMPACT STUDY - 145 LORETTA AVE N & 951 GLADSTONE AVE, OTTAWA

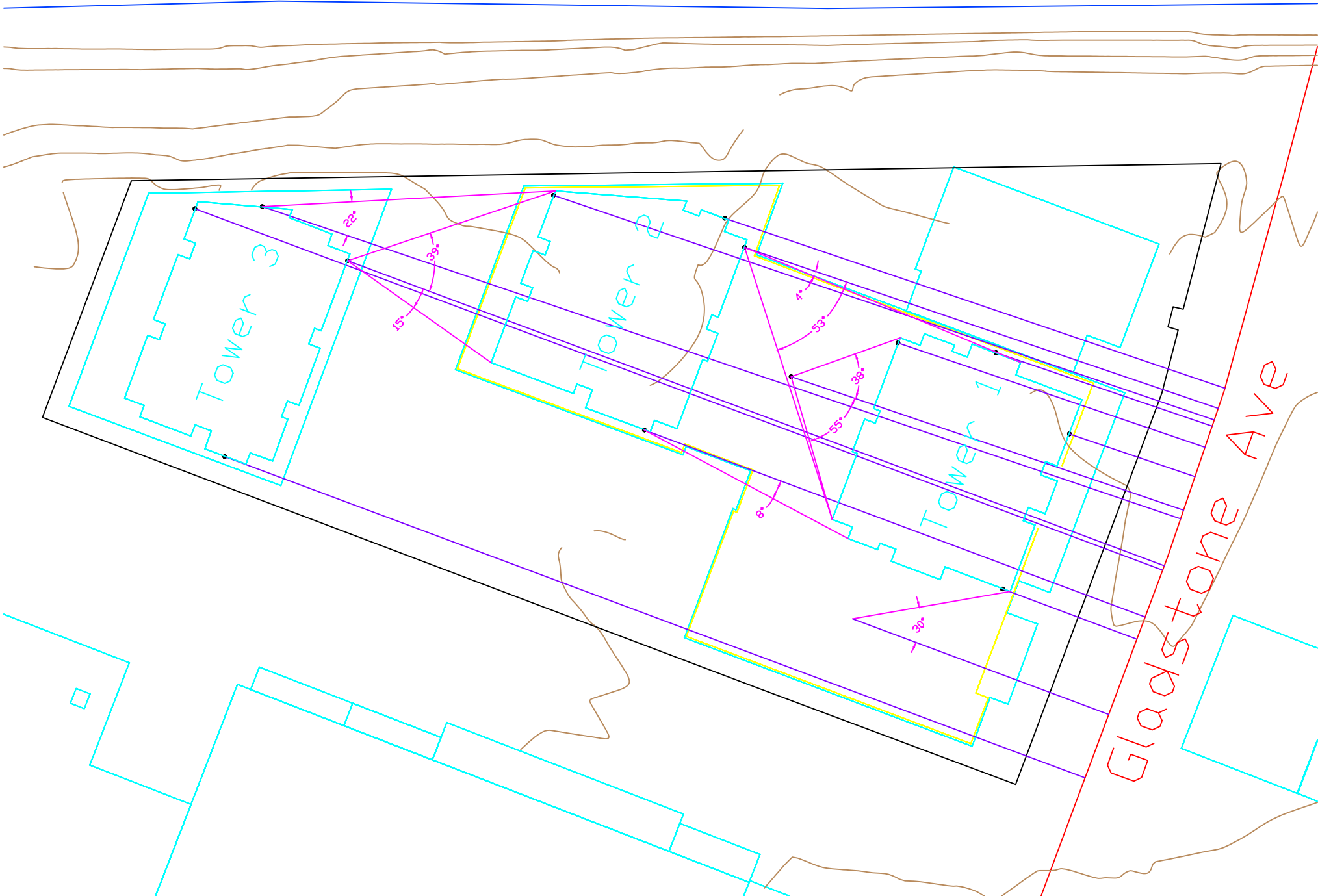


FIGURE E.4 - RECEIVER EXPOSURE ANGLES TO GLADSTONE AVE  
NOISE IMPACT STUDY - 145 LORETTA AVE N & 951 GLADSTONE AVE, OTTAWA

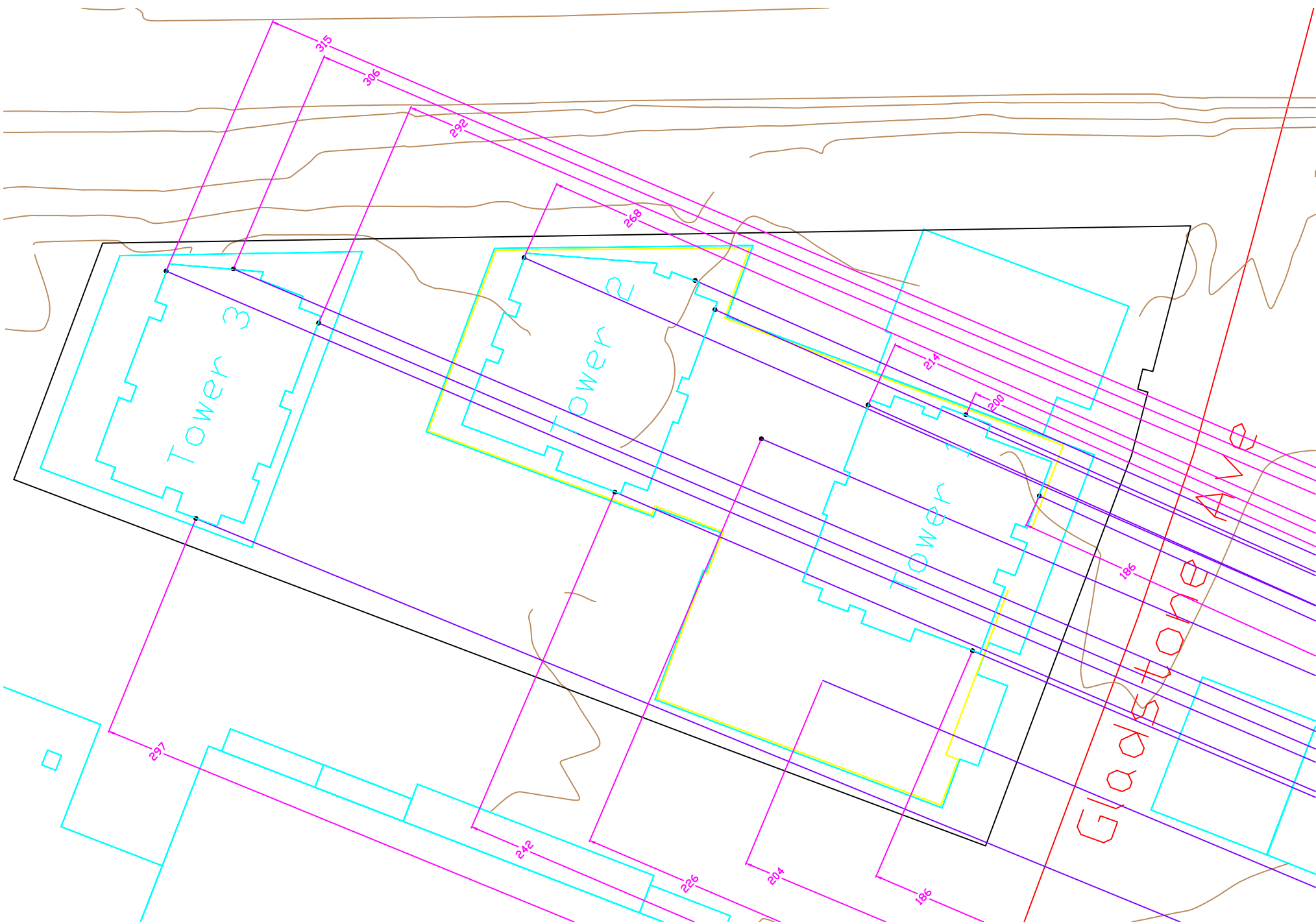


FIGURE E.5 - RECEIVER DISTANCES FROM HIGHWAY 417  
 NOISE IMPACT STUDY - 145 LORETTA AVE N & 951 GLADSTONE AVE, OTTAWA

# □-Train Corridor

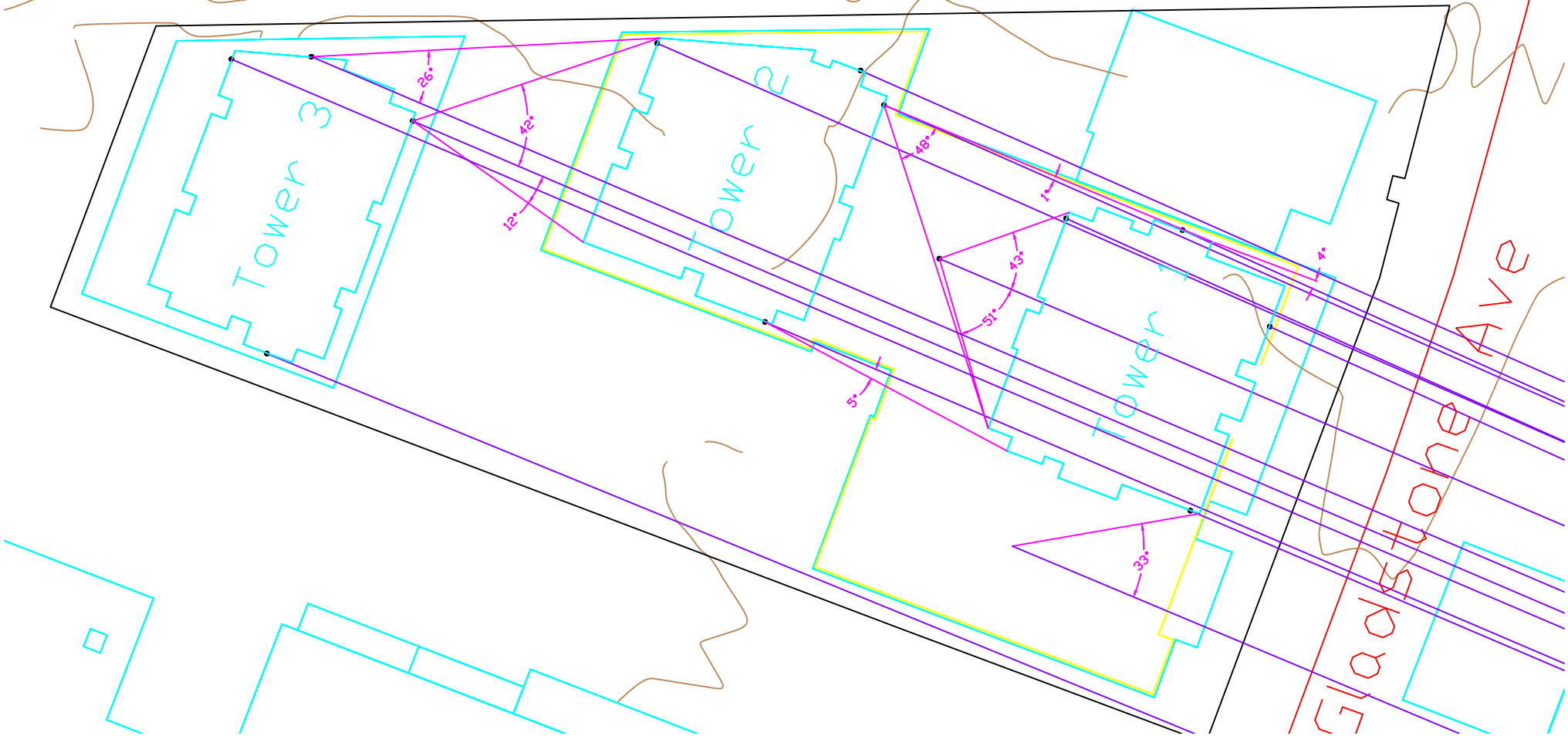


FIGURE E.6 - RECEIVER EXPOSURE ANGLES TO HIGHWAY 417  
NOISE IMPACT STUDY - 145 LORETTA AVE N & 951 GLADSTONE AVE, OTTAWA

# □-Train Corridor

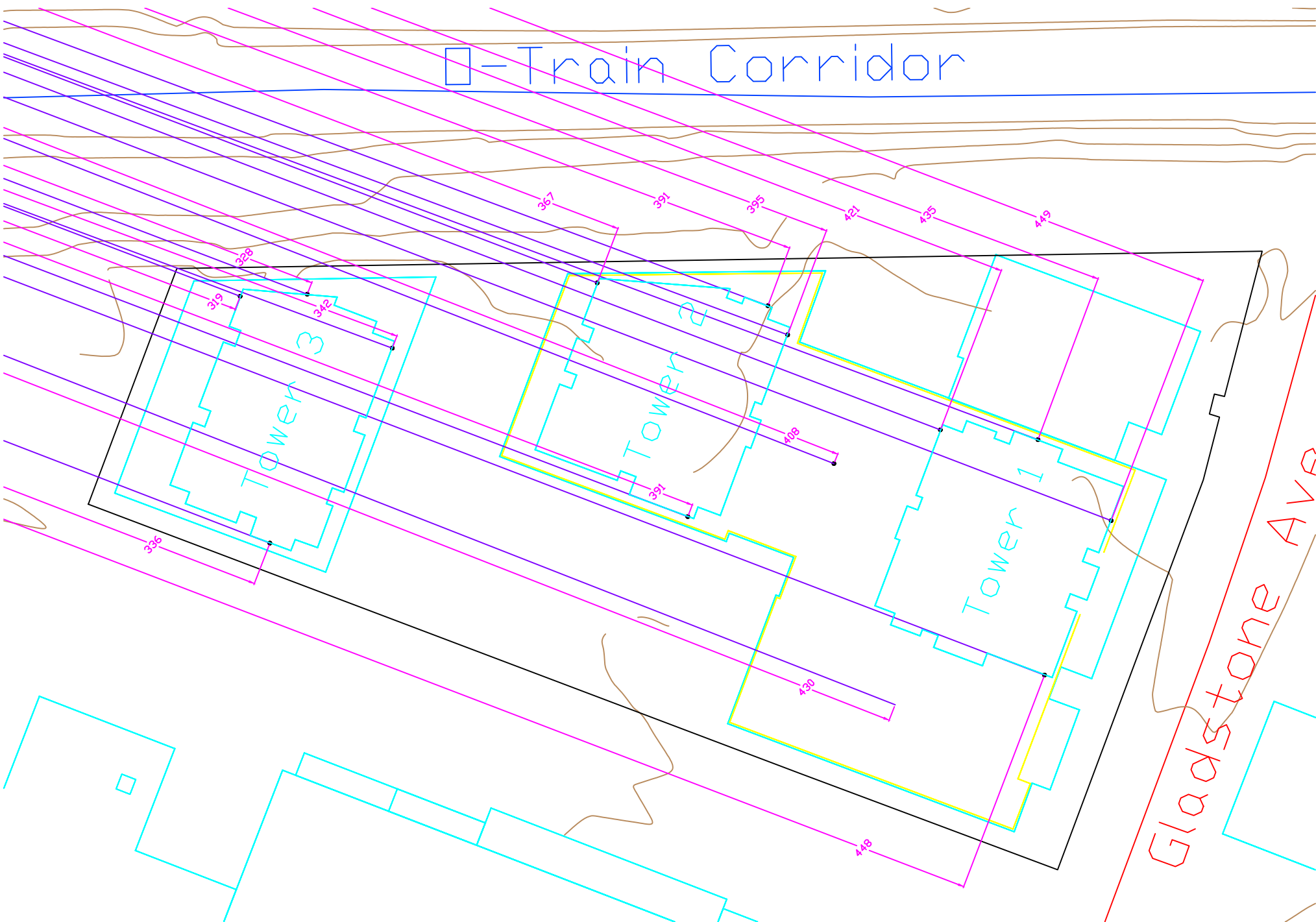


FIGURE E.7 - RECEIVER DISTANCES FROM SOMERSET ST W  
NOISE IMPACT STUDY - 145 LORETTA AVE N & 951 GLADSTONE AVE, OTTAWA

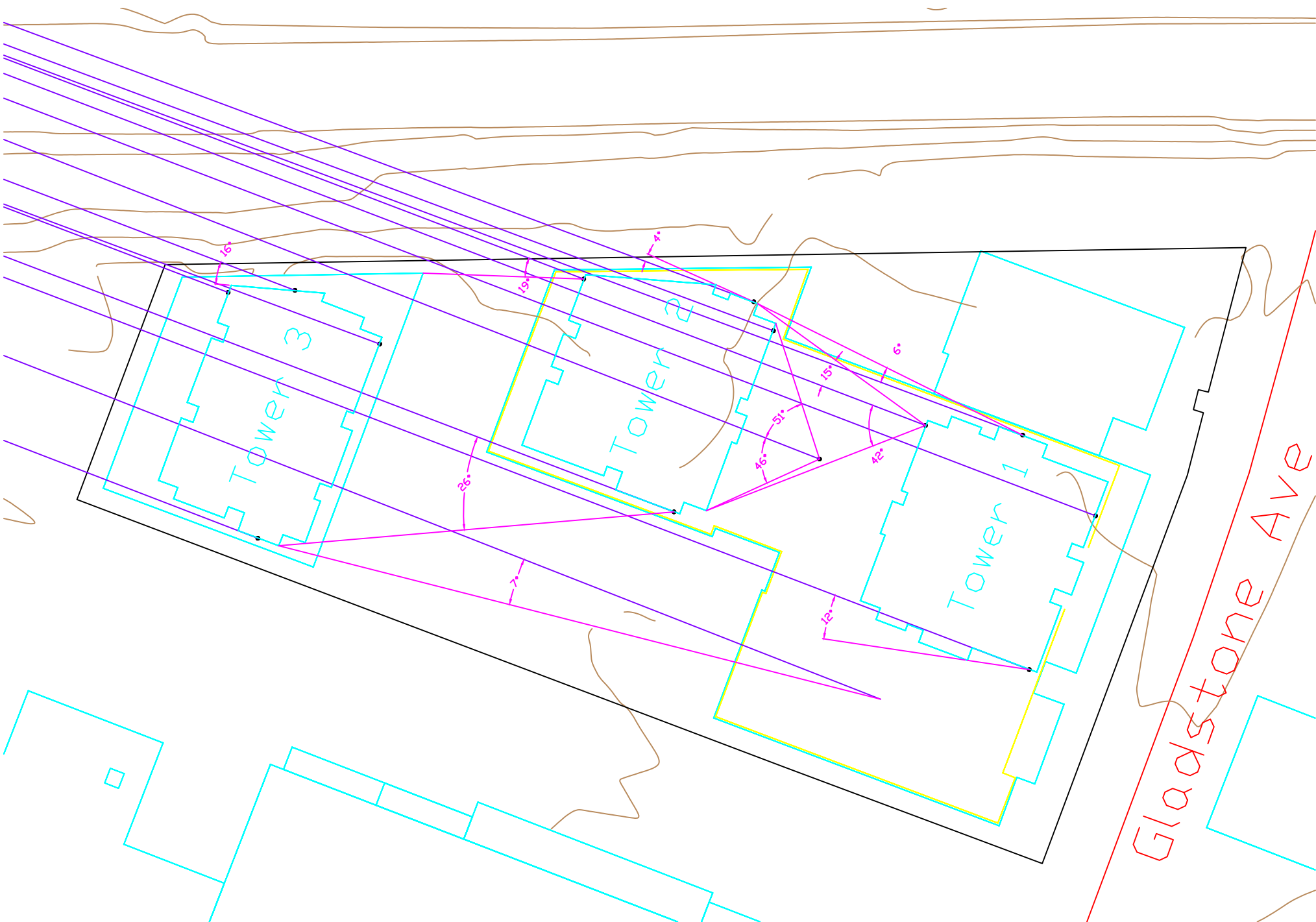


FIGURE E.8 - RECEIVER EXPOSURE ANGLES TO SOMERSET ST W  
 NOISE IMPACT STUDY - 145 LORETTA AVE N & 951 GLADSTONE AVE, OTTAWA



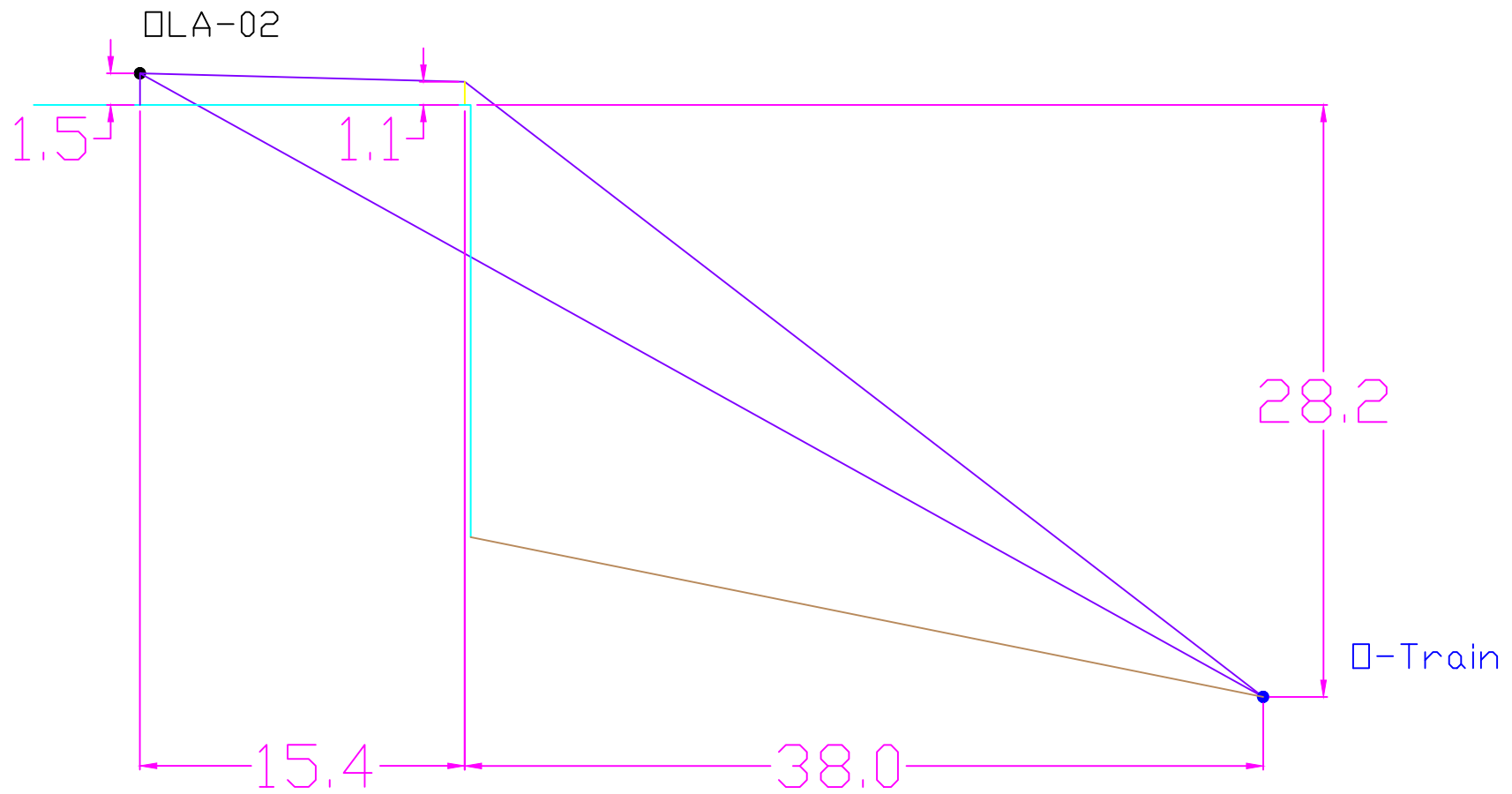


FIGURE E.9 - OLA-02 SECTION VIEW (PERPENDICULAR TO O-TRAIN TRACKS)  
 NOISE IMPACT STUDY - 145 LORETTA AVE N & 951 GLADSTONE AVE, OTTAWA

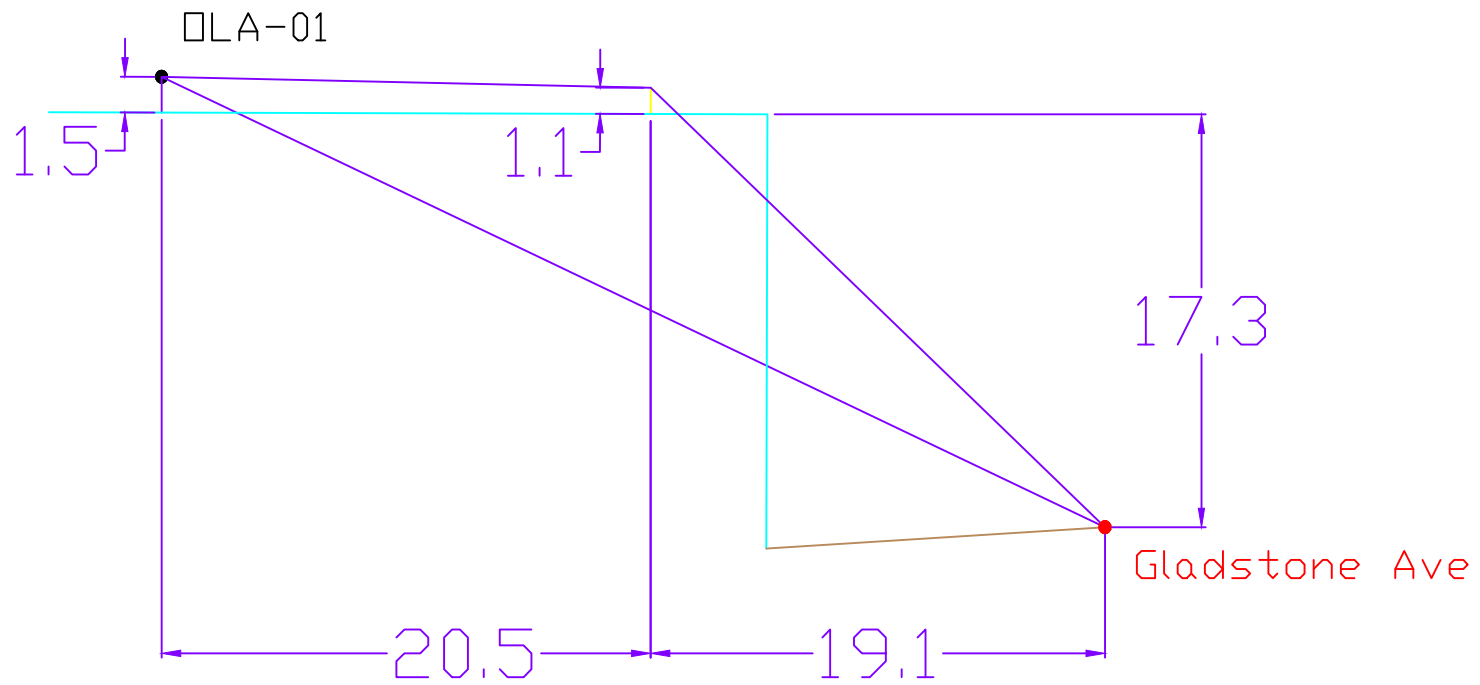


FIGURE E.10 - OLA-01 SECTION VIEW (PERPENDICULAR TO GLADSTONE AVE)  
 NOISE IMPACT STUDY - 145 LORETTA AVE N & 951 GLADSTONE AVE, OTTAWA