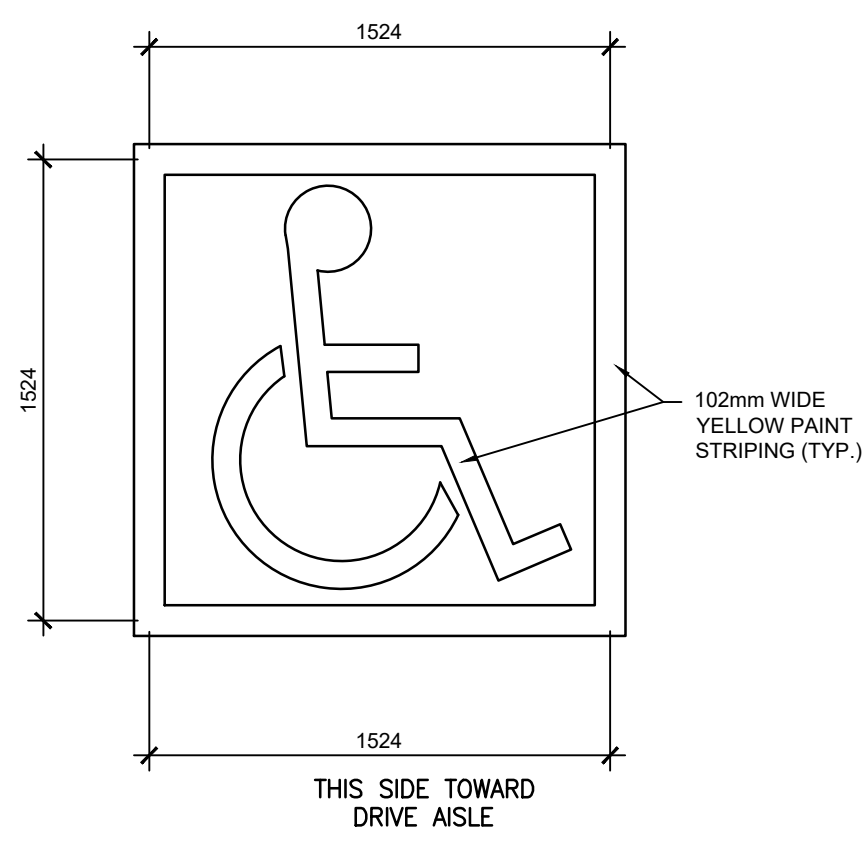
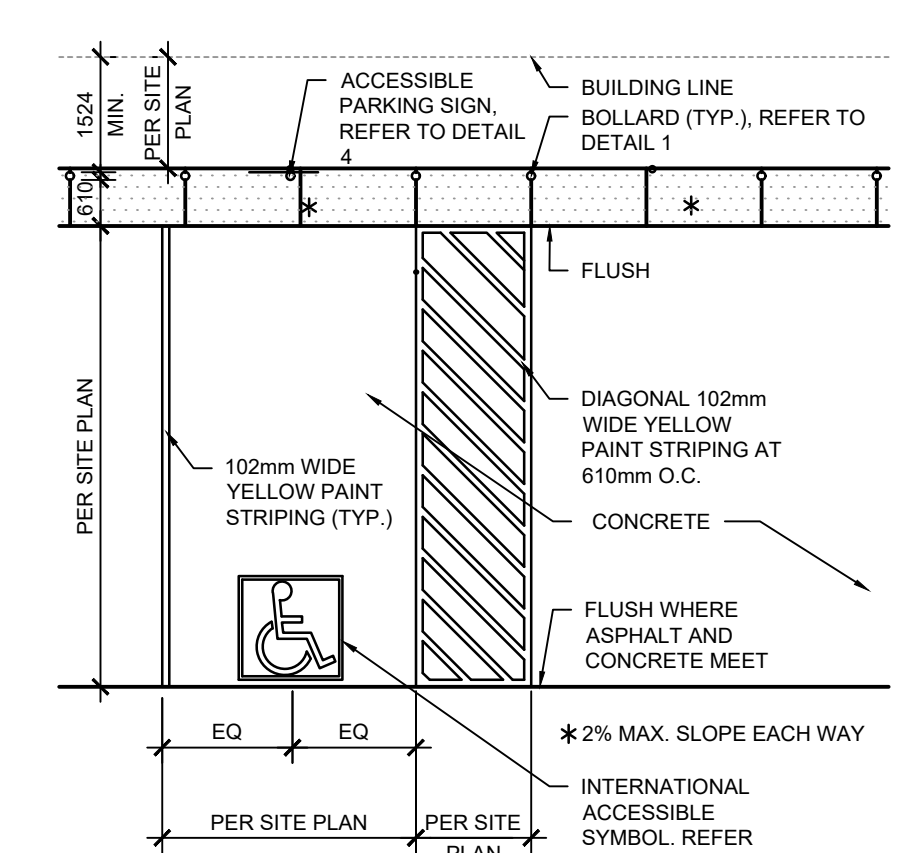


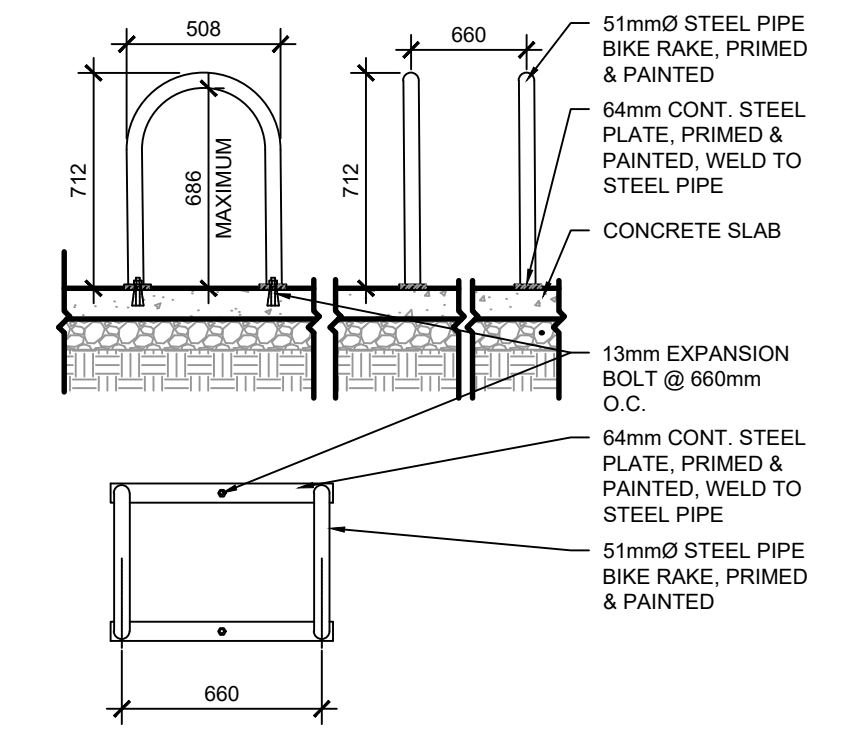
GENERAL NOTES:
 1. REFER TO SITE PLAN FOR CORRECT ORIENTATION AND LAYOUT. IN SOME CASES MINIMUM DIMENSIONS ARE NOTED BUT SITE PLAN DIMENSIONS TAKE PRECEDENCE.



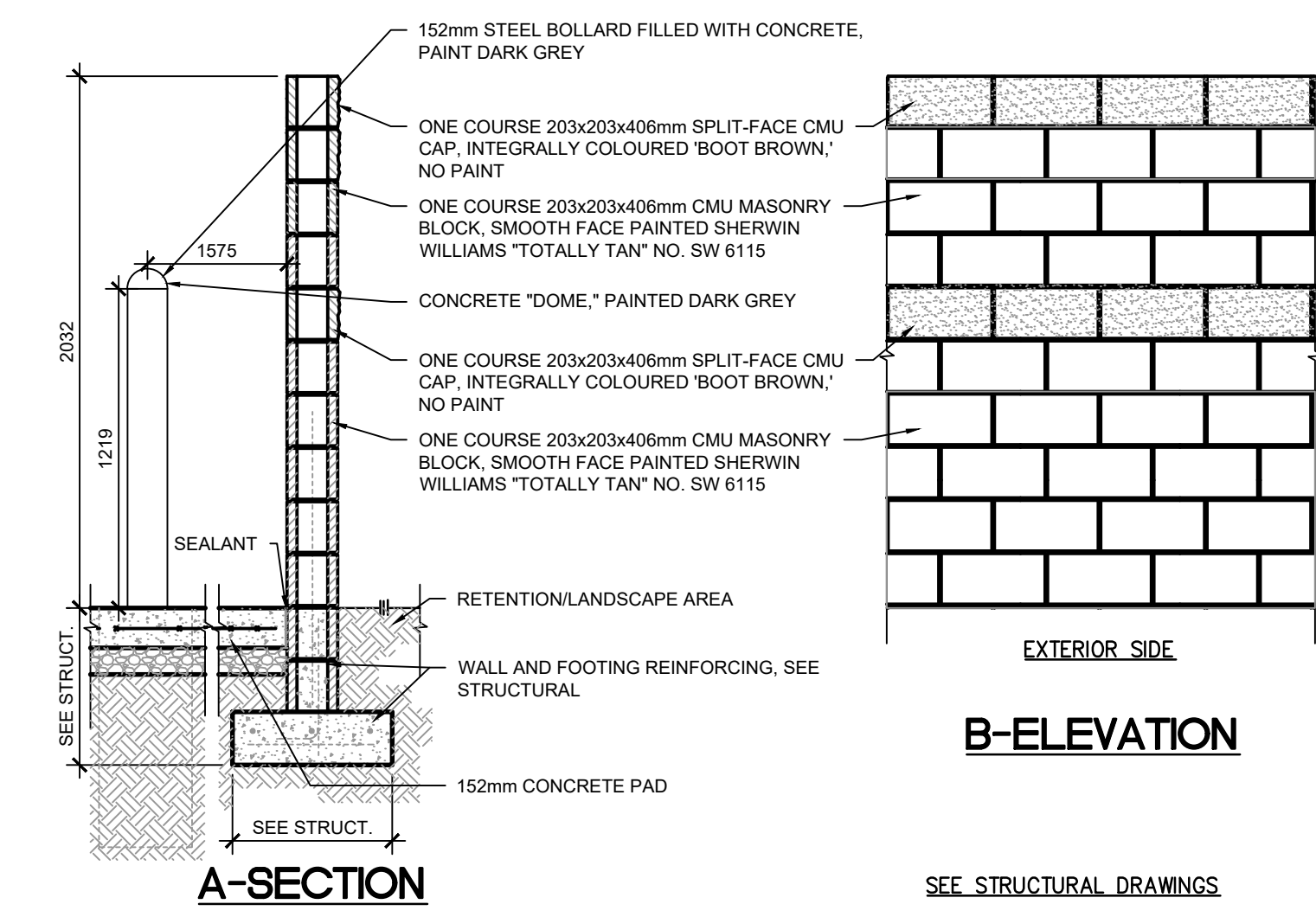
12 ACCESSIBLE PARKING SYMBOL
SCALE 1:25



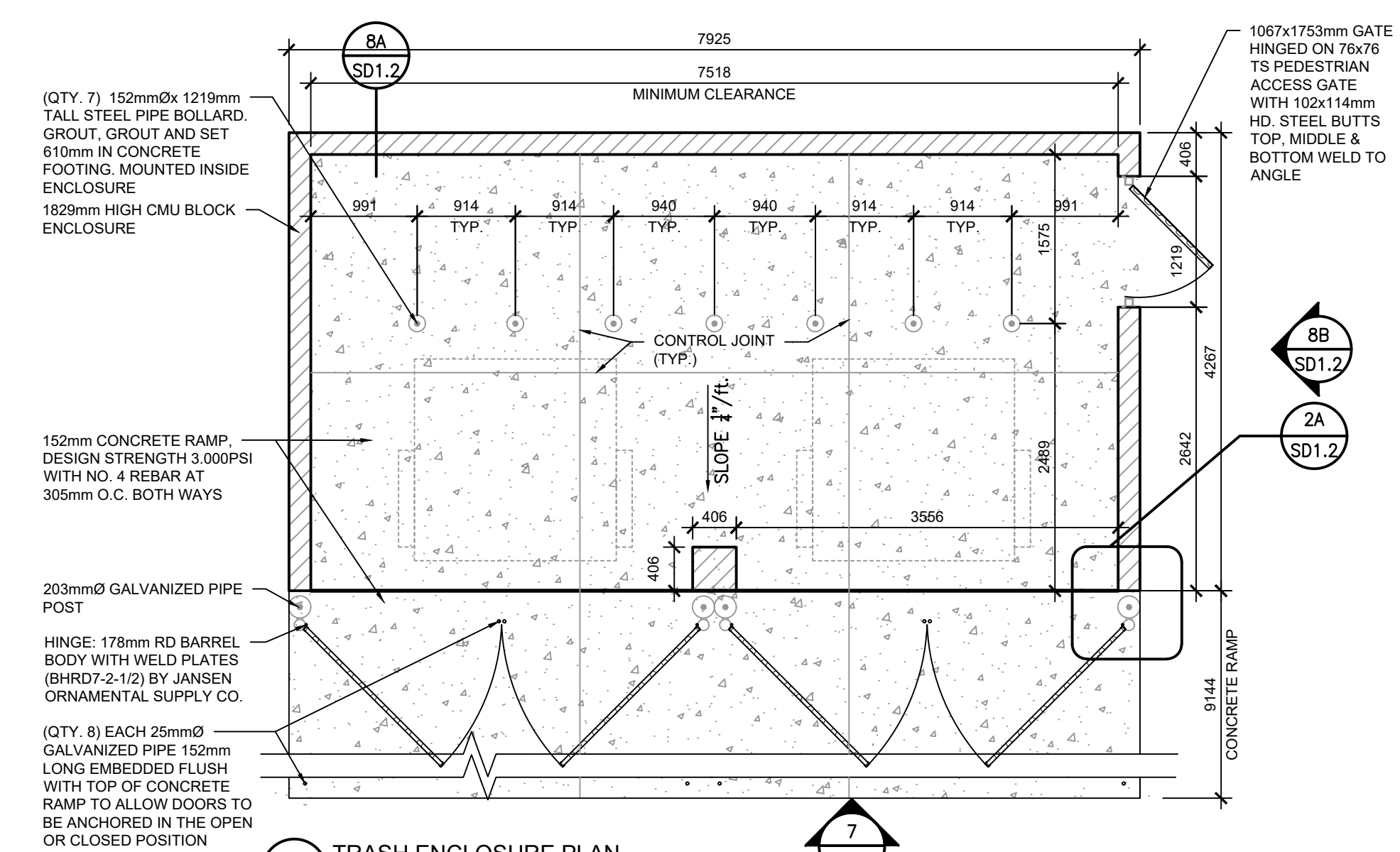
9 ACCESSIBLE PARKING STALL
SCALE 1:100



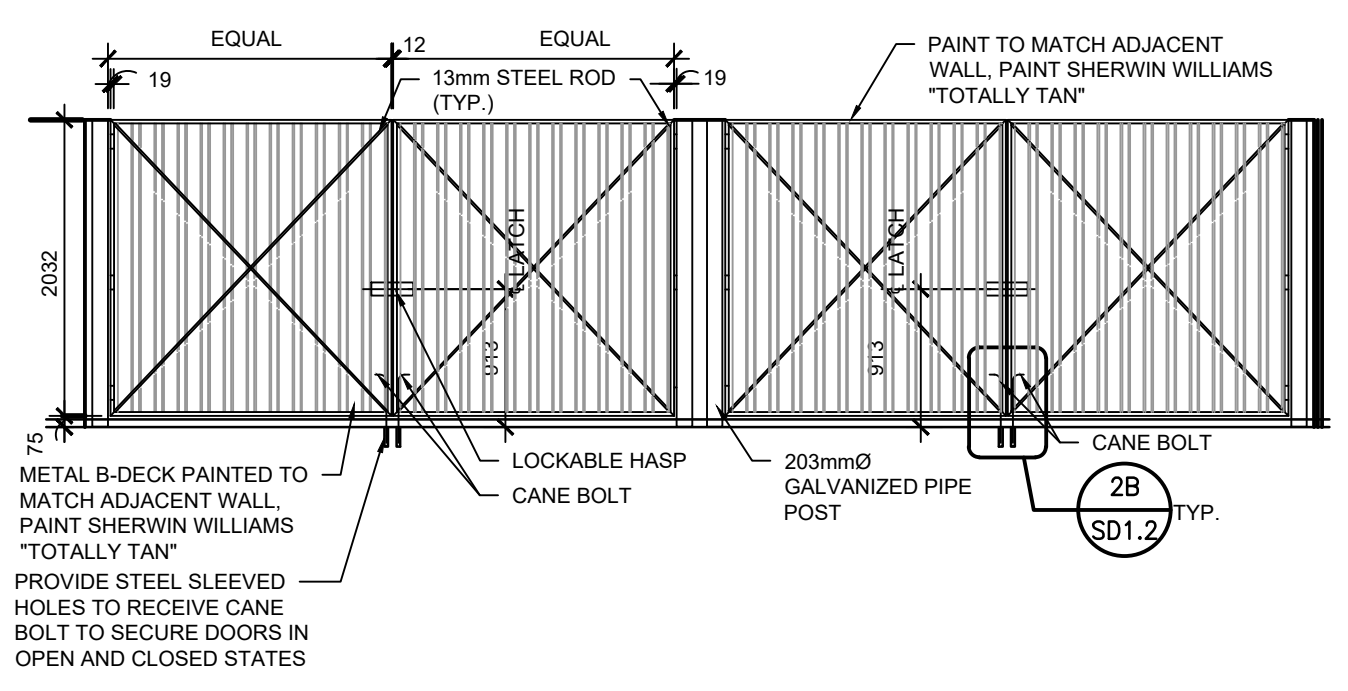
11 BIKE RACK (TYP.)
SCALE 1:25



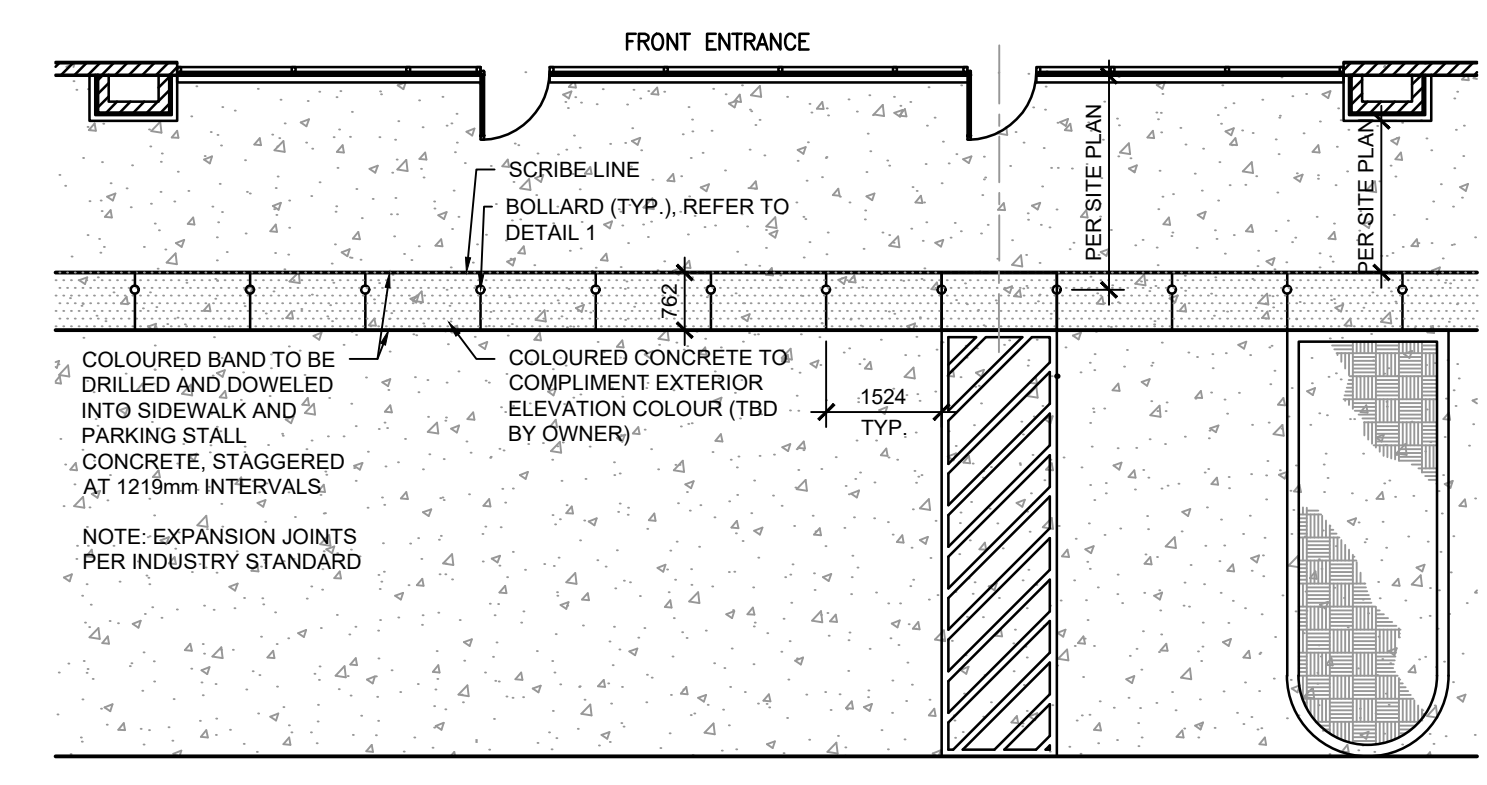
8 1829 TRASH ENCLOSURE
SCALE 1:25



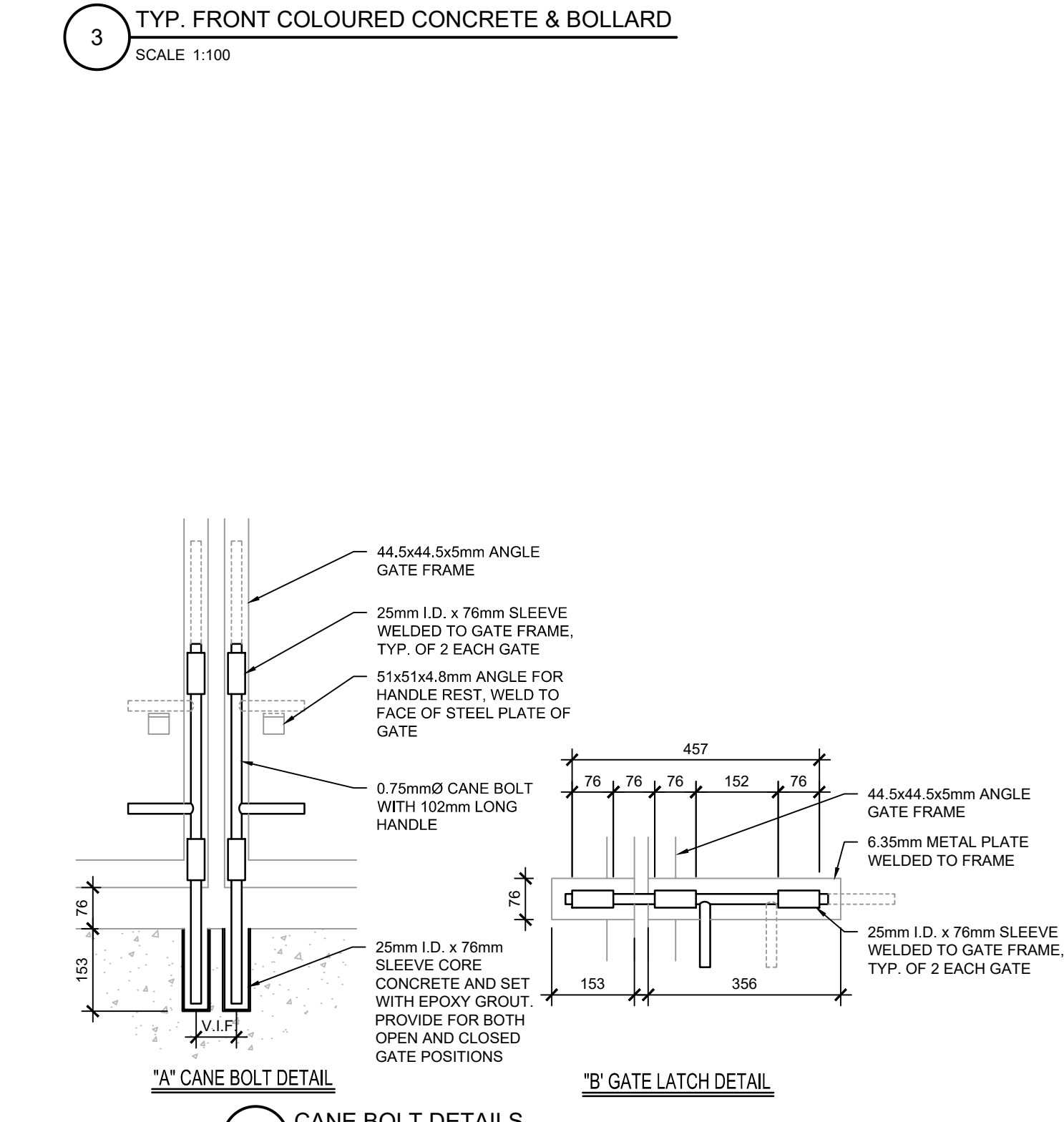
6 TRASH ENCLOSURE PLAN
SCALE 1:50



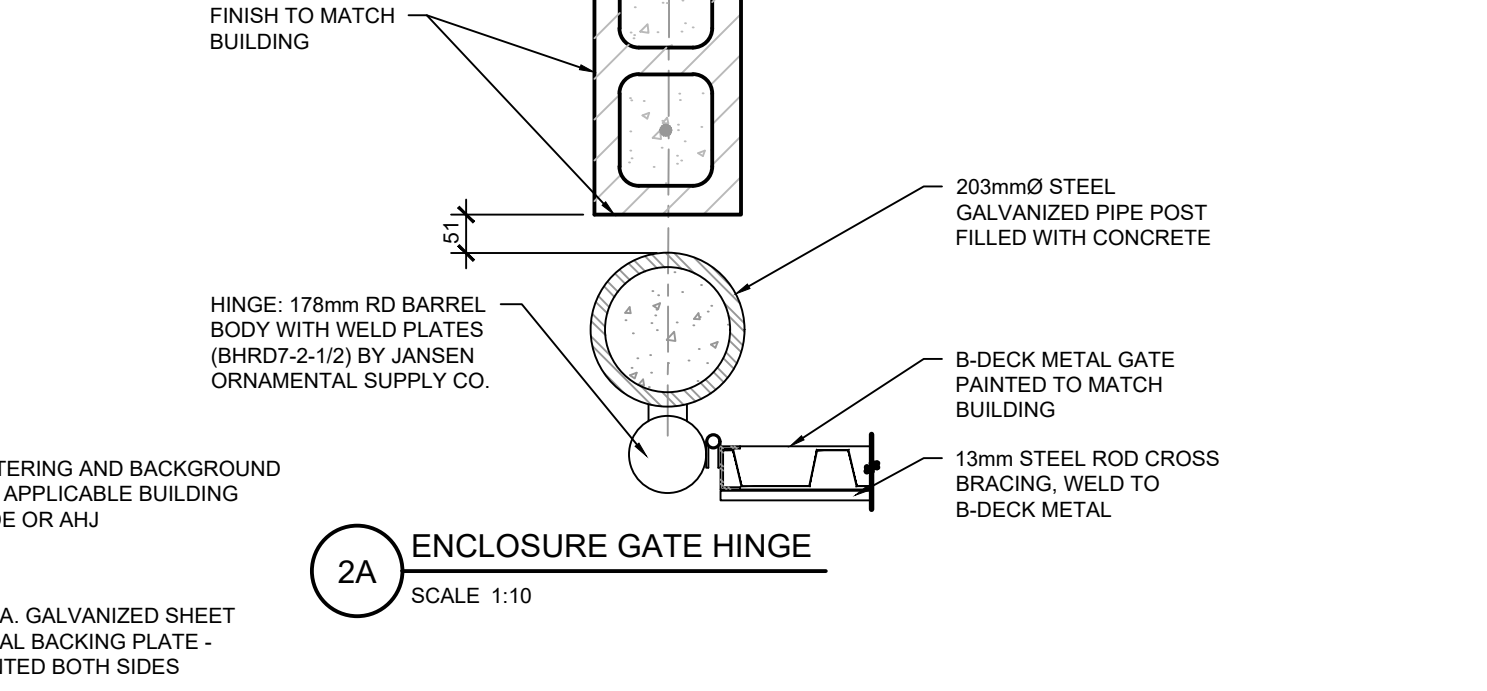
7 TRASH ENCLOSURE GATE ELEVATION
SCALE 1:25



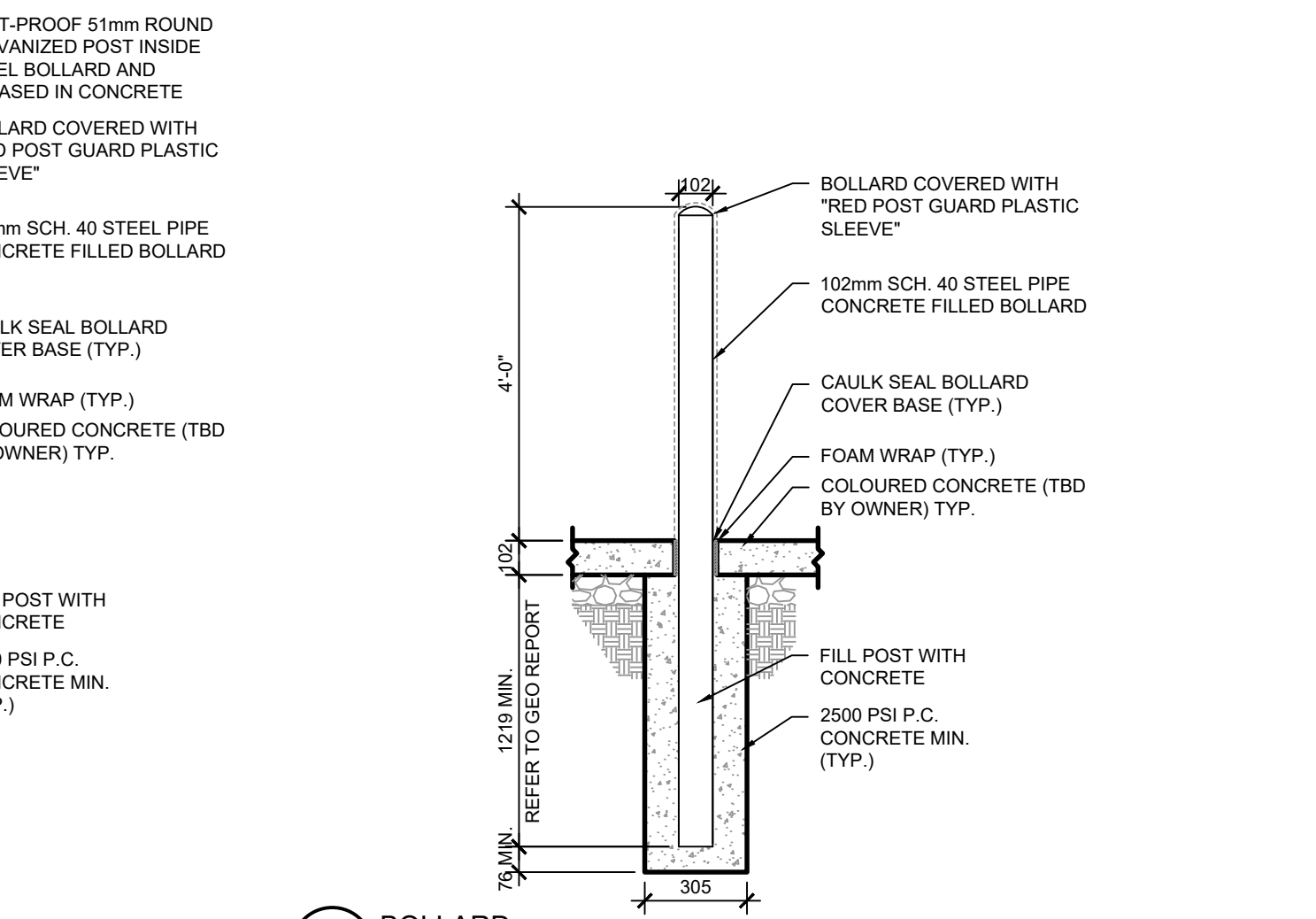
3 TYP. FRONT COLOURED CONCRETE & BOLLARD
SCALE 1:100



2A ENCLOSURE GATE HINGE
SCALE 1:10

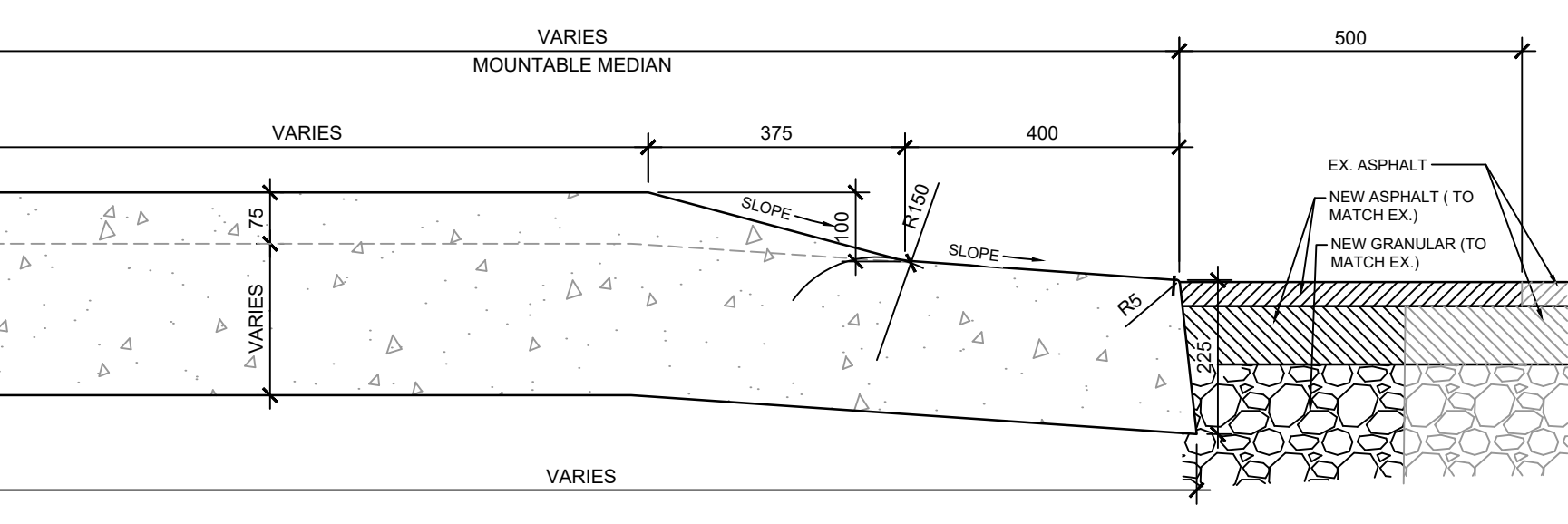


2B CANE BOLT DETAILS
SCALE 1:10



4 ACCESSIBLE SIGN
SCALE 1:20

1 BOLLARD
SCALE 1:20



A MEDIAN SECTION
SUPERELEVATED OPSD 600 030
SCALE 1:100

NOTES:
 SIGNS SHALL BE MOUNTED TO POST WITH GALVANIZED OR CADMIUM PLATE 8mm Ø STEEL BOLTS, NUTS AND WASHERS. CONTRACTOR SHALL SUPPLY AND INSTALL 8mm NYLON WASHERS BETWEEN BOLT HEADS AND SIGN FACE TO PROTECT FINISH

No.	REVISIONS	Date	By	App.
B	REISSUED FOR SPA	SEP. 25 2021	C.F.	C.F.
A	ISSUED FOR SPA	APR 27 2021	C.F.	C.F.

exp Services Inc.
 1-1-905.793.0800 | 1-1-905.793.0641
 1595 Clark Boulevard
 Brampton, ON L6T 4V1
 Canada
 www.exp.com

Owner/Cliet:

• BUILDINGS • EARTH & ENVIRONMENT • ENERGY •
 • INDUSTRIAL • INFRASTRUCTURE • SUSTAINABILITY •

Location:
 1545 WOODROFFE AVE.
 OTTAWA, ON

Title:
 SITE DETAILS

Designed By:	AS NOTED	Drawn By:	T.M.	Checked By:	C.F.
Scale:	AS NOTED	Date:	MARCH 2021	City Drawing No.:	
Project No.:	BRM00606364-B0	Drawing No.:		SD1.2	

CITY DWG. # 17094