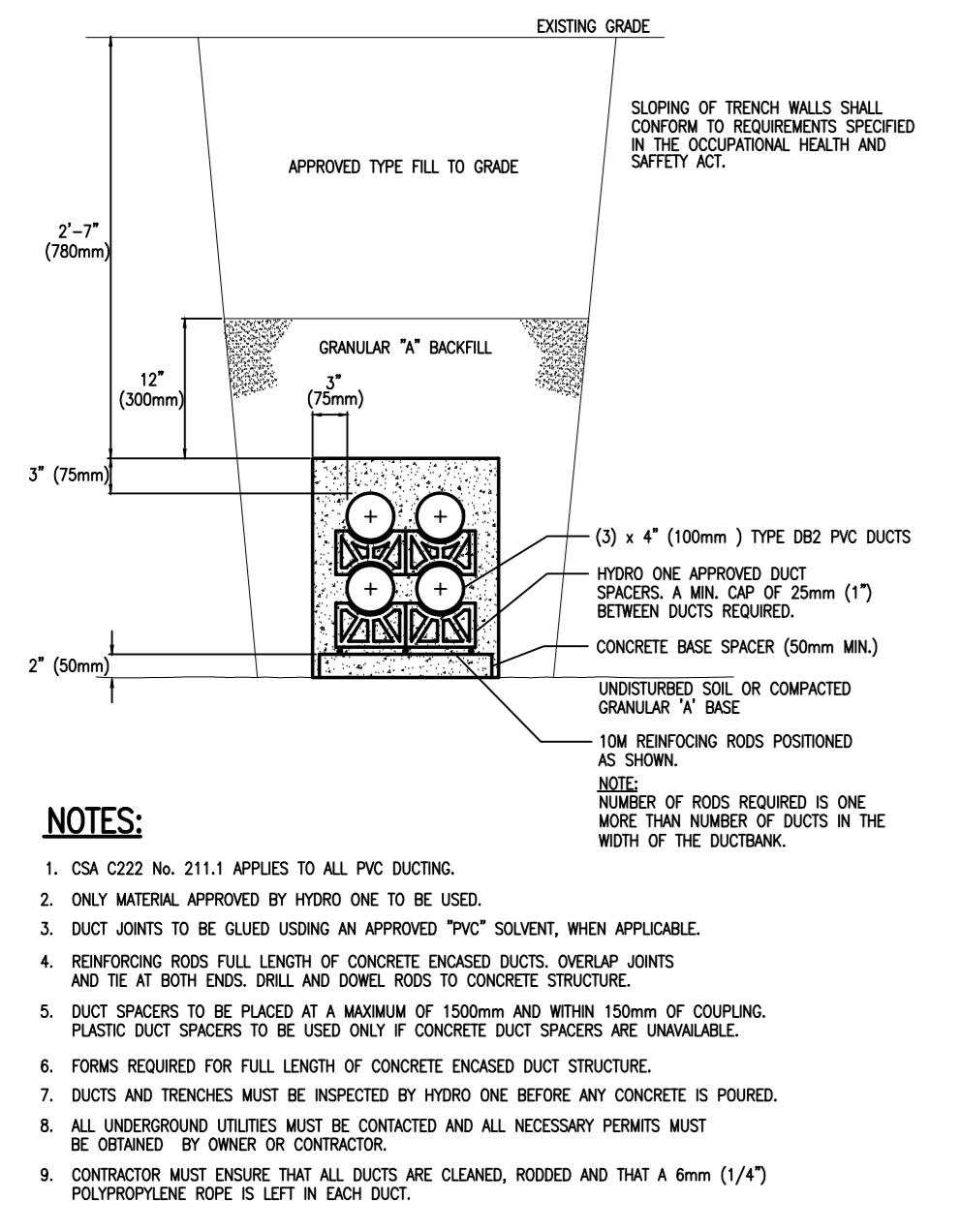
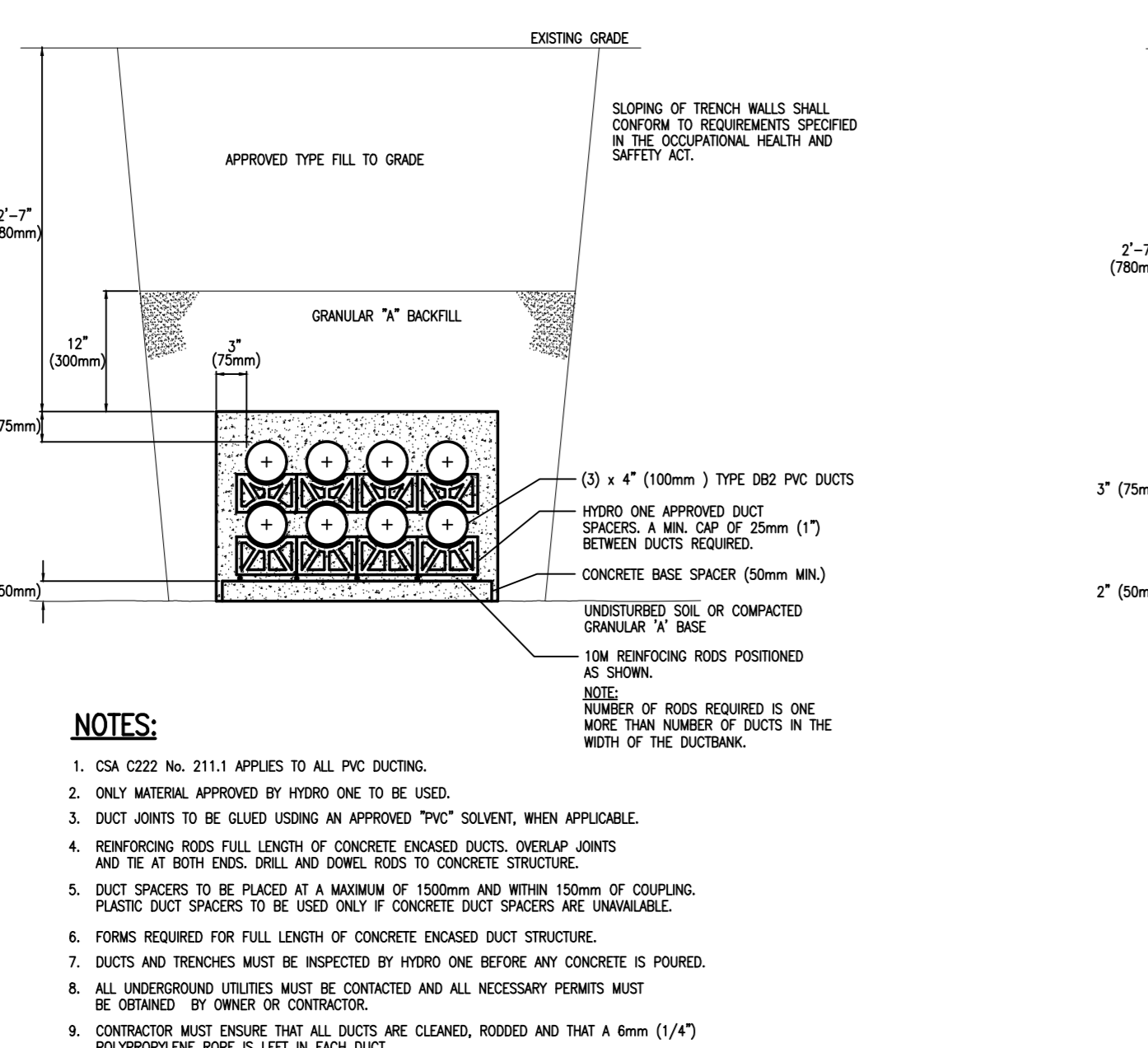


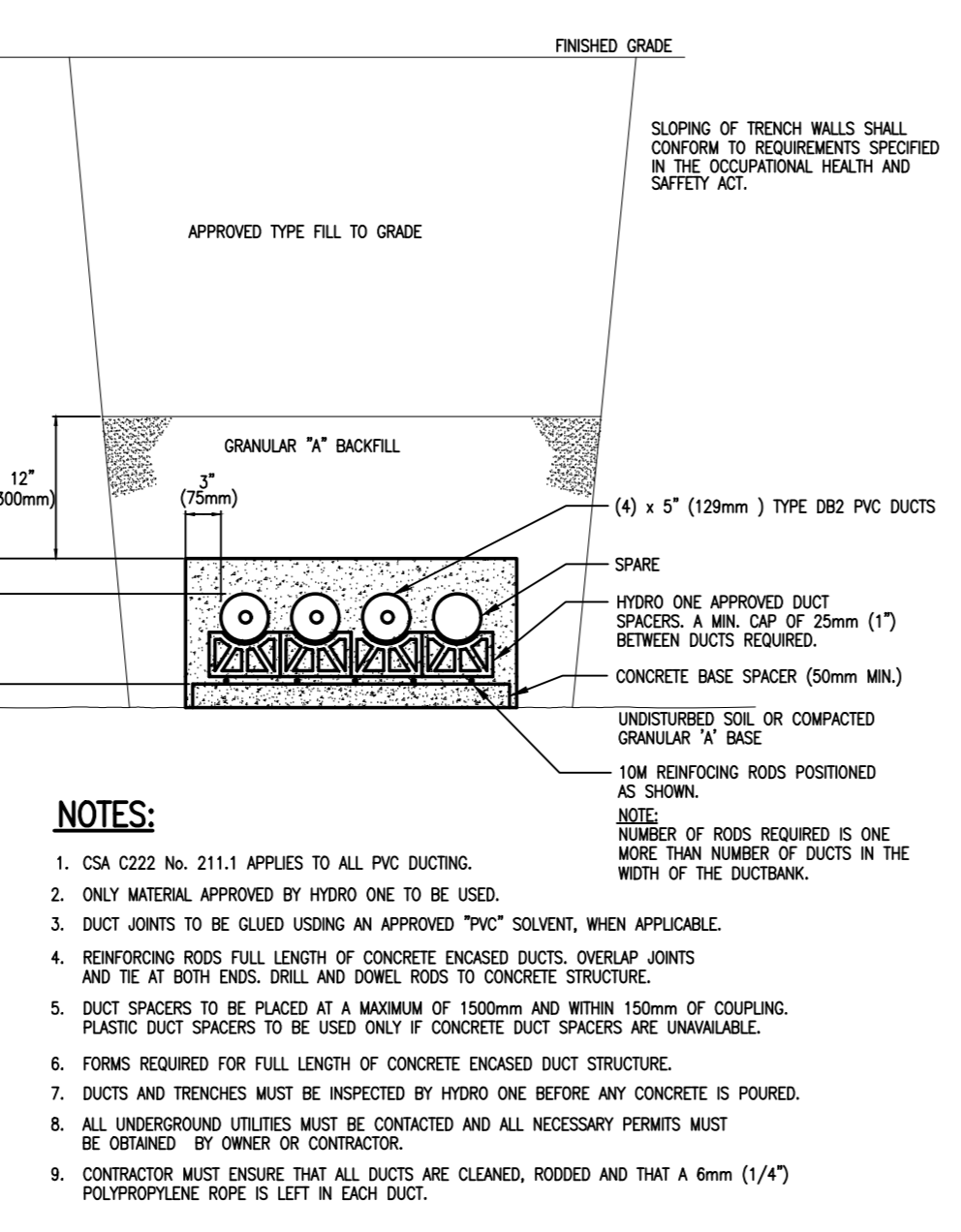
1 SITE PLAN
E02 N.T.S.



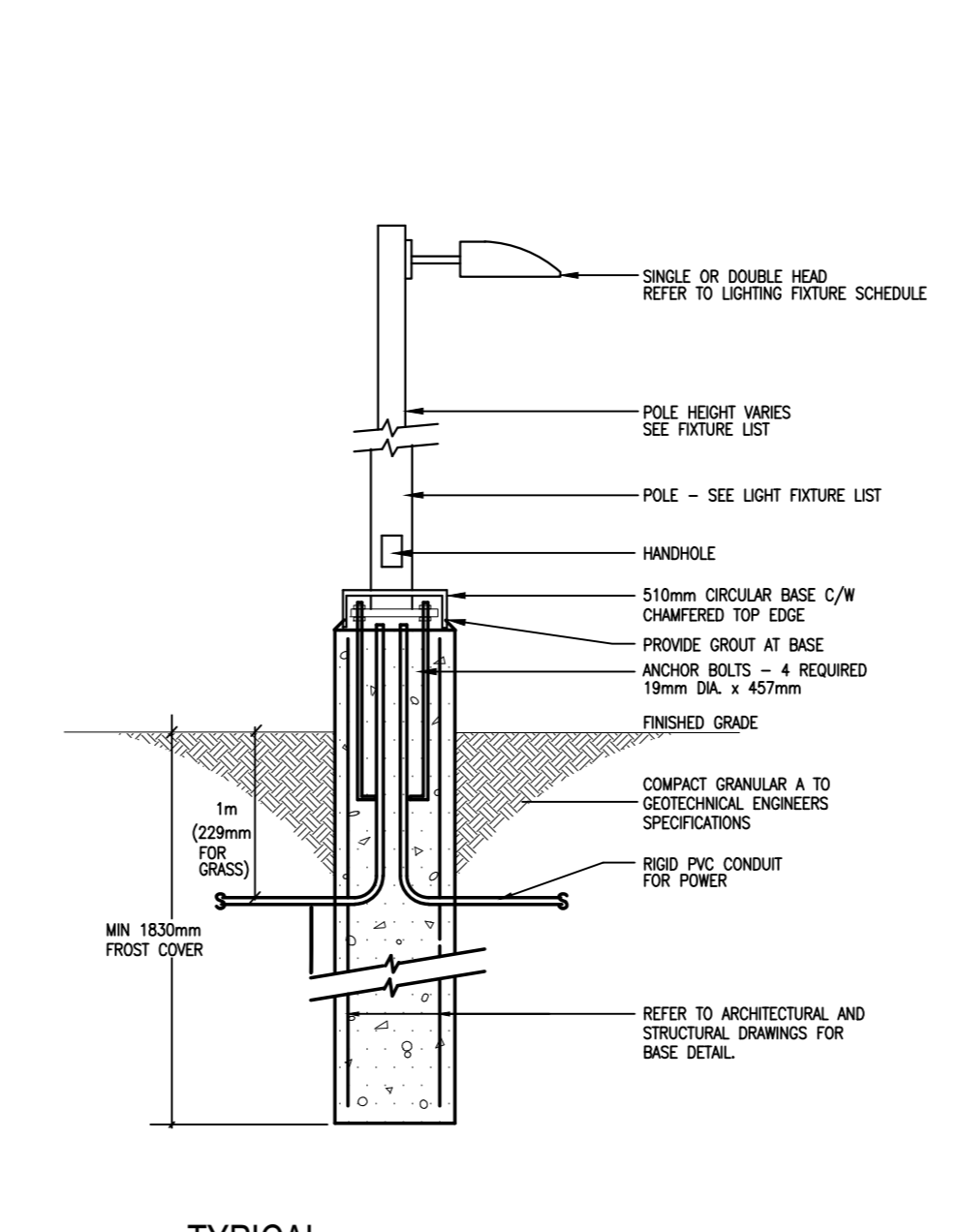
2 4-CELL CONCRETE DUCTBANK (SECONDARY)
E02 N.T.S.



3 8-CELL CONCRETE DUCTBANK (SECONDARY)
E02 N.T.S.



4 4-CELL PRIMARY CONCRETE DUCTBANK
E02 N.T.S.



TYPICAL
BASE DETAIL FOR EXTERIOR LIGHT STANDARD
E02 N.T.S.

GENERAL NOTES:

- COORDINATE BURIED SERVICES WITH ALL OTHER SERVICES (WATER, SEWER, GAS, HYDRO, TELEPHONE, CABLE, ETC.) REFER TO RELATED SITE SERVICES DRAWINGS.
- COORDINATE WITH UTILITY AND TELEPHONE/CAVY SERVICES FOR LOCATION AND FINAL CONDUIT REQUIREMENTS.
- COORDINATE LOCATION OF LIGHTING FIXTURES WITH LANDSCAPE PLANS.
- EXCAVATION, BACKFILL AND CONCRETE REINFORCING ASSOCIATED WITH ELECTRICAL WORK TO BE BY GENERAL CONTRACTOR.
- USE PVC FOR UNDERGROUND ONLY. CHANGE TO EMT INSIDE BUILDING.
- PROVIDE PVC/EMT TRANSITION ADAPTORS AT EXTERIOR TO INTERIOR CONDUITS.

DRAWING LEGEND

| SYMBOL | DESCRIPTION |
|--------|--|
| ○ | POLE MOUNTED LIGHT FIXTURE - TYPE AS SHOWN |
| ○ | WALL SCONCE/DOWN LIGHT FIXTURE - TYPE AS SHOWN |
| ○ | BOLLARD LIGHT - TYPE AS SHOWN |
| — | RECESSED LINEAR LIGHT FIXTURE - TYPE AS SHOWN |
| ○ | CEILING MOUNTED LIGHT FIXTURE - TYPE AS SHOWN |
| ○ | FLOOR MOUNTED LIGHT FIXTURE - TYPE AS SHOWN |

LIGHTING FIXTURE SCHEDULE

| TYPE | DESCRIPTION | CATALOG NUMBER | LAMPS PER FIXTURE | WATTS | VOLT | MOUNTING | REMARKS |
|------|--|--------------------------|-------------------|--------|-------|----------|--------------------------|
| A | EXTERIOR WALL SCONCE LIGHT | LITHONIA LIGHTING | | | | | |
| | WOODS LED WITH P1 - PERFORMANCE PACKAGE, 3000K/80CRI, TYPE 4 OPTIC VISUAL COMFORT OPTIC. | WOODS LED P1 700R R4 30K | LED | 51.17 | 3000K | 347 | SURFACE |
| C | POLE LIGHT | LITHONIA LIGHTING | | | | | |
| | RACKON POST-TOP WITH P1 3000K PATHWAY DISTRIBUTION | RADPT P1 30K PATH | LED | 25.41 | 3000K | 347 | POLE C/W ACCESSORIES |
| D | 4' LINEAR LUMINAIRE SURFACE OR SUSPENDED MOUNT | ALLXITE | | | | | |
| | ACLS3T 8 LH 30 347 HE F D Q | | LED | 40 | 3000K | 347 | SURFACE C/W ACCESSORIES |
| E | POLE LIGHT | LITHONIA LIGHTING | | | | | |
| | RSX AREA FIXTURE SIZE 2 P2 LUMEN PACKAGE 3000K CCT TYPE R4 DISTRIBUTION | RSX LED P2 30K R4 | LED | 114.07 | 3000K | 347 | POLE C/W ACCESSORIES |
| G | EXTERIOR WALL LIGHT | LITHONIA | | | | | |
| | WOODS LED WITH P1 - PERFORMANCE PACKAGE, 3000K/80CRI, VISUAL COMFORT WIDE OPTIC | WOODS LED P1 30K 80CRI W | LED | 10 | 3000K | 347 | WALL C/W ACCESSORIES |
| I | POLE LIGHT | LITHONIA LIGHTING | | | | | |
| | RSX AREA FIXTURE SIZE 1 P2 LUMEN PACKAGE 3000K CCT TYPE R3 DISTRIBUTION | RSX LED P2 30K R3 | LED | 72.95 | 3000K | 347 | POLE C/W ACCESSORIES |
| J | POLE LIGHT | LITHONIA LIGHTING | | | | | |
| | RSX AREA FIXTURE SIZE 1 P3 LUMEN PACKAGE 3000K CCT TYPE R4 DISTRIBUTION | RSX1-LED-P3-30K-R4 | LED | 109.4 | 3000K | 347 | POLE C/W ACCESSORIES |
| X | POLE LIGHT | LITHONIA LIGHTING | | | | | |
| | RSX AREA LUMINAIRE SIZE 1 P3 LUMEN PACKAGE 3000K CCT TYPE R4 DISTRIBUTION | RSX1-LED-P3-30K-R2 | LED | 109.4 | 3000K | 347 | POLE C/W ACCESSORIES |
| L | POLE LIGHT | LITHONIA LIGHTING | | | | | |
| | RSX AREA LUMINAIRE SIZE 1 P3 LUMEN PACKAGE 3000K CCT TYPE R4 DISTRIBUTION WITH HS SHIELD | RSX1-LED-P3-30K-R4-HS | LED | 109.4 | 3000K | 347 | POLE C/W ACCESSORIES |
| M | DOWN LIGHT FOR CANOPY | BEGA | | | | | |
| | 55943 | | LED | 15.5 | 3000K | 120 | RECESSED C/W ACCESSORIES |
| O | LED RECESSED WALL LUMINAIRE | BEGA | | | | | |
| | 24062K3 | | LED | 24 | 3000K | 120 | RECESSED C/W ACCESSORIES |
| P | POLE LIGHT | LITHONIA | | | | | |
| | RACKON POST-TOP WITH P3 3000K ASYMMETRIC DISTRIBUTION WITH HOUSE-SIDE SHIELD | RADPT-P3-30K-ASY-HS | LED | 55 | 3000K | 347 | POLE C/W ACCESSORIES |
| Q | BOLLARD LIGHT | LOUIS POLSEN | | | | | |
| | FLINT PLAZA CORTEN350 3000K P05.3D0 | | LED | 35 | 3000K | 120 | BOLLARD C/W ACCESSORIES |
| R | POLE LIGHT | LITHONIA | | | | | |
| | RSX1-LED-P3-30K-BLC-MV07 | | LED | 136 | 3000K | 347 | POLE C/W ACCESSORIES |
| S | POLE LIGHT | LOUIS POLSEN | | | | | |
| | LP NEST 3000K V3 US ALU | | LED | 40 | 3000K | 120 | POLE C/W ACCESSORIES |
| U | POLE LIGHT | LITHONIA LIGHTING | | | | | |
| | RSX1-LED-P3-30K-R2-E05 | | LED | 109.4 | 3000K | 347 | POLE C/W ACCESSORIES |
| V | WALL LIGHT | BEGA | | | | | |
| | 24212K3 | | LED | 15 | 3000K | 120 | WALL C/W ACCESSORIES |
| W | POLE LIGHT | BEGA | | | | | |
| | 77853 | | LED | 45 | 3000K | 120 | POLE C/W ACCESSORIES |

NOTES:

- FIXTURE SELECTION TO BE CONFIRMED PRIOR TO FINAL SITE PLAN APPROVAL.
- FINAL FIXTURE FINISH COLOR SELECTION SHALL BE BY ARCHITECT AND LANDSCAPE DESIGNER.
- ALL LED FIXTURES SHALL BE C/W DIMMERS.
- PROVIDE DRYWALL ADAPTOR KIT IN ALL FIXTURES IN HARD CEILING.
- LIGHT FIXTURE EQUAL IN PERFORMANCE AND AESTHETICS ARE ACCEPTED.

Client

| DATE | REVISION | REF |
|------------|----------------------|-----|
| 2021-05-14 | ISSUED FOR SITE PLAN | 1 |

THE ENGINEER MAKES ANY AND ALL RESPONSIBILITY AND LIABILITY FOR PROBLEMS WHICH MAY BE CAUSED BY FAILURE TO FOLLOW THESE REVISIONS AND THE DECISION WHETHER THEY COMPLY OR FOR PROBLEMS WHICH ARISE FROM OTHER FAILURE TO OBTAIN AND/OR FOLLOW THE ENGINEER'S GUIDANCE WITH RESPECT TO ANY EXISTING, OBSOLETE, RECOMMENDED, AMBIGUOUS OR CONFLICTS WHICH ARE ALLEGED.

THIS DRAWING IS THE PROPERTY OF GOODKEY WEEDMARK & ASSOCIATES LIMITED AND ALL COPYRIGHTS ARE RESERVED. NO USE OF THIS DRAWING MAY BE MADE WITHOUT EXPRESS WRITTEN CONSENT. DO NOT SCALE DRAWINGS.

L'INGÉNIEUR DÉCLINE TOUTE RESPONSABILITÉ DÉCOULANT DE PROBLÈMES POTENTIELS QUI NE SONT PAS DUE À LA SUITE DE LA NON-CONFORMITÉ AVEC LES RECOMMANDATIONS DE L'INGÉNIEUR EN CE QUI CONCERNE LES EXISTANTS, OBSOLES, RECOMMANDÉS, AMBIGUÛS OU CONFLIQUÉS ALLEGÉS.

CE DESSIN EST LA PROPRIÉTÉ DE GOODKEY WEEDMARK & ASSOCIATES LIMITED ET TOUTS LES DROITS SONT RÉSERVÉS. L'UTILISATION EST INTERDITE SANS LE CONSENTEMENT ÉCRIT DE L'INGÉNIEUR. NE PAS MESURER LES DESSINS À L'ÉCHELLE.

Goodkey Weedmark Consulting Engineers

GOODKEY WEEDMARK & ASSOCIATES LIMITED
1688 Woodward Dr. 613 727-5111
Ottawa Ontario K2C 3S8 613 727-5115 Fax
www.gwcl.com Web

Project north
Nord du projet

Seal/Scell

LEARNED PROFESSIONAL ENGINEER
HUNG HUNG LAM
PROVINCE OF ONTARIO

Project/Projet
THE BURROUGHS KANATA
319 HUNTMARE DRIVE

Electrical Layout
SITE PLAN

| Scale | AS NOTED | Project No./No. du projet |
|-------------|----------|-------------------------------|
| Sheet | | 2020-524 |
| Design by | H.ROMANI | Drawn/Drawn |
| Checked by | LALI | |
| Reviewed by | H.ROMANI | |
| Date | MAY 2021 | Revision no. / Acad. day/Date |

E02

OF