

PROJECT TEAM	
ARCHITECT	
WARE MALCOMB	
180 BASS PRO MILLS DR #103 VAUGHAN, ONTARIO, CANADA L4K 5W4	
A. SANABRIA P. 905.740.1211 F. 905.740.3344	
GENERAL CONTRACTOR	
BROCCOLINI CONSTRUCTION INC.	
BROCCOLINI CONSTRUCTION INC. 132 SILVER STARWAY, SUITE 300 OTTAWA, ONTARIO K1P 6E2	
DEVELOPER CONSULTANTS	
ELECTRICAL ENGINEER	ALBERT VALKENBURG, P. ENG
HAMMERCHAG & JOFFE INC. 43 LESMILL ROAD, TORONTO, ONTARIO, CANADA M5B 2T8	PH: (416) 444-9033 EXT. 251 M: (416) 450-5200 E-MAIL: albert.valkenburg@hampj.com
MECHANICAL ENGINEER	DAN JOFFE, P. ENG
HAMMERCHAG & JOFFE INC. 43 LESMILL ROAD, TORONTO, ONTARIO, CANADA M5B 2T8	PH: (416) 444-9033 EXT. 222 FAX: (416) 340-0885 E-MAIL: dan.joffe@hampj.com
STRUCTURAL ENGINEER	ALBERT CELLU
SENSE ENGINEERING 40 FREDERICK DRIVE OTTAWA, ON K1V 1H5	PH: (613) 714-3861 C: (613) 864-4785 E-MAIL: acellu@senseengineering.com
FIRE PROTECTION ENGINEER/CODE CONSULTANT	PAUL LINDTSEY, PH.D., P. ENG.
OWLEC CONSULTANTS INC. 3900, COTE VERTUE, SUITE 200 MONTREAL, QUEBEC, H3R 1V4	PH: (514) 337-2600 FAX: (514) 337-5010 CEL: (514) 988-8018 E-MAIL: paul@owlec.com
CIVIL ENGINEER	J. LEE SHRETS
NOVATECH 240 Michael Cowpland Drive, Suite 200, Ottawa, ON K2M 1P6	PH: (613) 254-9643 FAX: (613) 254-9687
GEOTECHNICAL ENGINEER	ALEXANDER FORULLI
GHD	PH: (613) 254-9643 E-MAIL: ALEXANDER.FORULLI@GHD.COM
LANDSCAPE ARCHITECT	RYAN JAMES
NOVATECH 240 Michael Cowpland Drive, Suite 200, Ottawa, ON K2M 1P6	PH: (613) 254-9643 FAX: (613) 254-9687

NOTE:
THE POSITION OF ALL POLE LINES, CONDUITS,
WATERMANS, SEWERS AND OTHER
UNDERGROUND AND OVERGROUND UTILITIES AND
STRUCTURES IS NOT NECESSARILY SHOWN ON
THE CONTRACT DRAWINGS, AND WHERE SHOWN,
THE ACCURACY OF THE POSITION OF SUCH
UTILITIES AND STRUCTURES IS NOT GUARANTEED.
BEFORE STARTING WORK, DETERMINE THE EXACT
LOCATION OF ALL SUCH UTILITIES AND
STRUCTURES AND ASSUME ALL LIABILITY FOR
DAMAGE TO THEM.

Owner:
Mocusa LP
c/o Russell Beach
16766 rue Trans-Canada, Suite 500
Kirkland, Quebec
H9H 4M7

**NOT FOR
CONSTRUCTION**

No.	REVISION	DATE	BY
4.	REVISED PER CITY COMMENTS	AUG 4 2011	RGJ
3.	ISSUED FOR IGMP	MAY 28 2011	RGJ
2.	ISSUED FOR SITE PLAN APPROVAL	MAY 28 2011	RGJ
1.	ISSUED FOR COORDINATION	MAY 20 2011	RGJ

SCALE
1:1500

DESIGN	RGJMEL
CHECKED	RGJ
DRAWN	MEL
CHECKED	RGJ
APPROVED	RGJ

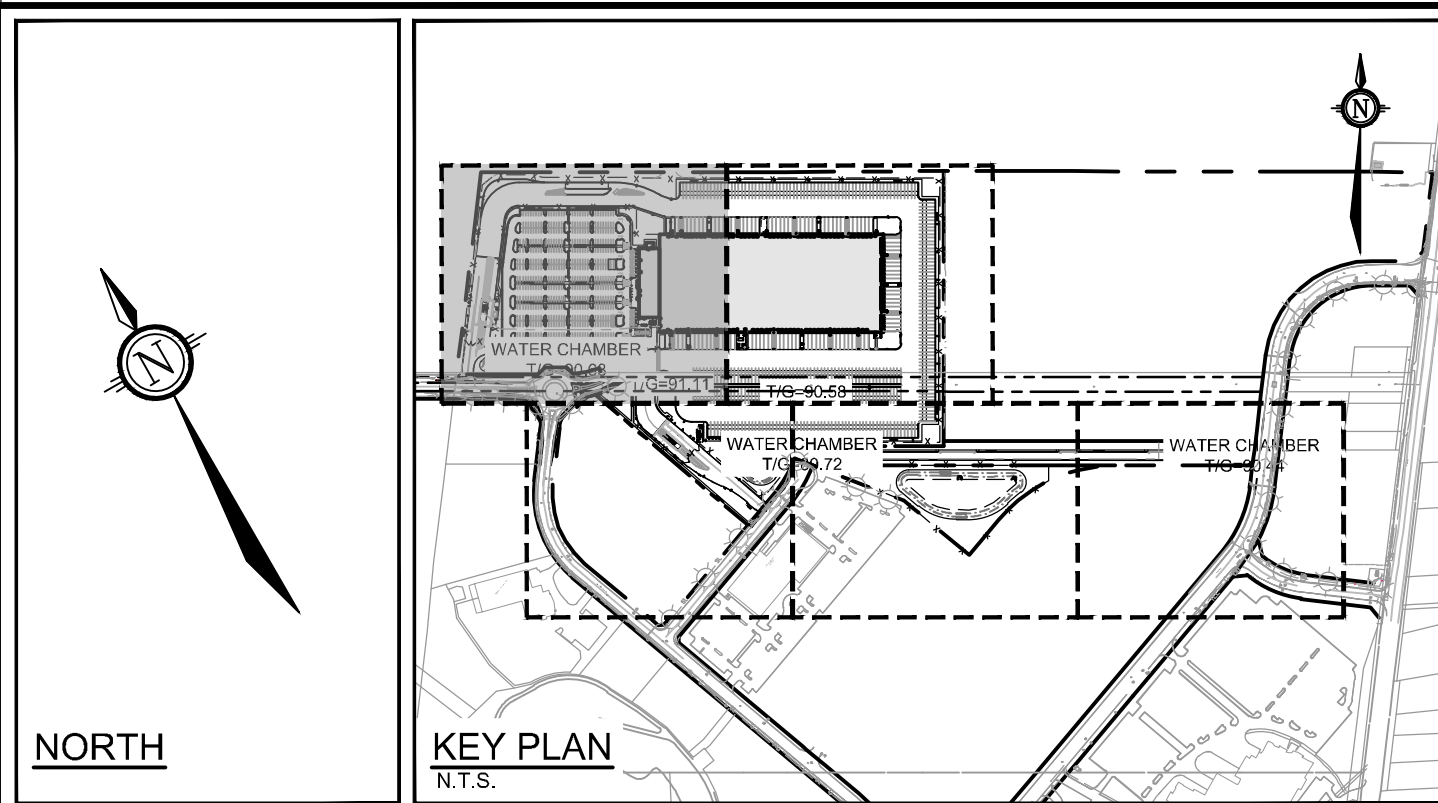
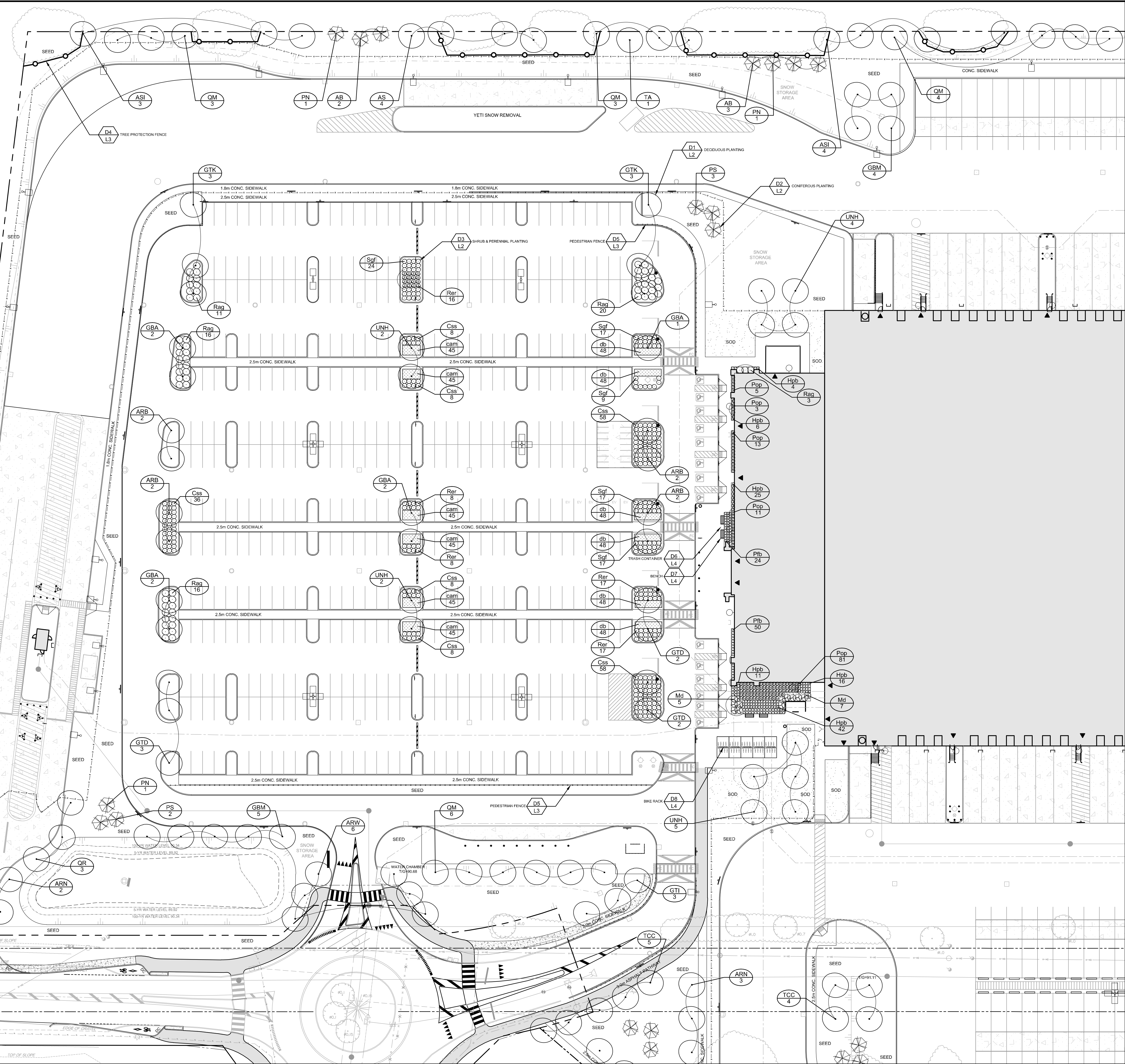
NOVATECH
Engineers, Planners & Landscape Architects
Suite 200, 240 Michael Cowpland Drive
Ottawa, Ontario, Canada K2M 1P6
Telephone: (613) 254-9643
Facsimile: (613) 254-9687
Website: www.novatech-eng.com

LOCATION SORTATION FACILITY 99 BILL LEATHER DRIVE, 2 & 20 LEIKIN DRIVE, OTTAWA, ONTARIO
DRAWING NAME LANDSCAPE OVERALL PLAN

PROJECT No.	121137-00
REV	REV # 4
DRAWING No.	121137-L0

C:\Users\121137\Documents\121137-L0.dwg, 10 Aug 05, 2011, 11:00am, vba14

#18474



- LEGEND**
- PROPOSED CONIFEROUS TREE
 - PROPOSED DECIDUOUS TREE
 - PROPOSED SHRUBS
 - ORNAMENTAL GRASSES
 - SPECIES (SEE PLANT LIST)
 - QUANTITY
 - DETAIL NUMBER
 - SHEET NUMBER LOCATION
 - TREE PROTECTION FENCE
 - 1.8m HT. CHAIN LINK FENCE
 - PEDESTRIAN FENCE
 - BOLLARDS
 - BENCH
 - TRASH CONTAINER
 - LIGHTS

- GENERAL**
1. Read and interpret this drawing/ drawing set in conjunction with all the contract details and specifications, including related civil, utility, structural, architectural, mechanical, electrical, environmental, geotechnical, and survey information.
 2. The Contractor is to determine the exact location, size, material, and elevation of all existing utilities prior to commencing construction. Protect and assume responsibility for all existing utilities regardless of being shown on the drawings.
 3. It is essential to use the plans and details in conjunction with the specifications and notes.
 4. Do not scale drawings. Work to dimensions only.
 5. Protect all existing and retained vegetation for the duration of construction according to the contract details and specifications.
 6. Reinstale all areas and items damaged or disturbed, beyond the Limit of Work, because of construction activities, including but not limited to construction staging areas, haul roads, stockpile areas, etc. to the satisfaction of the Consultant. Unless otherwise noted, Contractor is to reinstale all areas to pre-construction condition or better to the satisfaction of the Contract Administrator.

- PLANTING**
1. Plant material to be No. 1 Grade and is to comply with Canadian Standards for Nursery Stock (latest edition) published by the Canadian Nursery Landscape Association.
 2. Use structurally sound plant material with strong fibrous root system free of disease, defects, and injuries. Use trees with straight trunks, well and characteristically branched for species. Obtain approval from consultant of plant material at source prior to digging. All trees and shrubs to be container grown, potted, W/B or B/B, as indicated on Plant List. Bare root plants are only acceptable for certain species and as approved by the Landscape Architect.
 3. Plant material substitutions are not to be permitted without the written approval from the Consultant, with 48 hours notice, prior to shipping plant material.
 4. Plant locations are schematic/ approximate only. Contractor is to stake out locations on site for approval by the Landscape Architect prior to installation.
 5. The illustrated number of plants shown in the Planting Plan supersedes the estimated number in the Plant List.
 6. Ensure trees are thoroughly watered following planting. Monitor material and ensure adequate moisture until acceptance.
 7. In heavy clay or poorly drained soils, set root ball with root collar 75-100mm higher than finished grade.
 8. Approved topsoil depths are as follows:
 - a. Plant Beds - 450mm continuous depth. Applies to shrubs, perennials, vines, and groundcovers.
 - b. Sod/ Seed Areas - 100mm depth.
 - c. Reforestation - 300mm depth.
 9. Sod to be No. 1 Kentucky Bluegrass Sod grown from minimum mixture of 3 Kentucky Bluegrass cultivars. Quality and source are to comply with Canadian Standards for Nursery Stock, Section 17, (latest edition) published by the Canadian Nursery Landscape Nursery Landscape Association.
 10. Apply the following mineral fertilizer unless soil tests show other requirements:
 - a. Plant Beds - (8-32-16), i.e. 8% Nitrogen, 32% Phosphorus, 16% Potash per manufacturer specifications.
 - b. Sod Areas - (8-32-16), i.e. 8% Nitrogen, 32% Phosphorus, 16% Potash at a rate of 350kg/ha.
 12. Where applicable, for any plant areas with a mix of species/ cultivars notes, Contractor is to cluster like plants in groups of 3-5 and evenly distribute these in the noted area.

PLANT LIST

KEY	QTY	BOTANICAL NAME	COMMON NAME	SIZE	COND	SPACING
Coniferous Trees						
AB	5	Abies balsamea	Balsam Fir	200cm H	WB	As Shown
PN	3	Pinus nigra	Austrian Pine	200cm H	WB	As Shown
PS	5	Pinus strobus	Eastern White Pine	200cm H	WB	As Shown
Deciduous Trees						
ARB	8	Acer rubrum 'Bowhall'	Bowhall Red Maple	50mm Cal	WB	As Shown
ARW	6	Acer rubrum 'New World'	New World Red Maple	50mm Cal	WB	As Shown
ARN	7	Acer rubrum 'Northwood'	Northwood Red Maple	50mm Cal	WB	As Shown
ASI	7	Acer saccharum	Silver Maple	50mm Cal	WB	As Shown
AS	4	Acer saccharum	Sugar Maple	50mm Cal	WB	As Shown
GBA	7	Ginkgo biloba 'Autumn Gold'	Autumn Gold Ginkgo	50mm Cal	WB	As Shown
GBM	9	Ginkgo biloba 'Mayer'	Mayer Ginkgo	50mm Cal	WB	As Shown
GTD	7	Gleditsia triacanthos 'Draves'	Street Keeper Locust	50mm Cal	WB	As Shown
GTT	3	Gleditsia triacanthos var. 'inermis 'Impicola'	Imperial Honeylocust	50mm Cal	WB	As Shown
GTK	6	Gleditsia triacanthos var. 'inermis 'Sycocle'	Sylvine Honeylocust	50mm Cal	WB	As Shown
GM	16	Quercus macrocarpa	Bur Oak	50mm Cal	WB	As Shown
QR	6	Quercus rubra	Red Oak	50mm Cal	WB	As Shown
TA	1	Tilia americana	Basswood	50mm Cal	WB	As Shown
TCC	9	Tilia cordata 'Cordata'	Cordata Linden	50mm Cal	WB	As Shown
UNH	13	Ulmus x 'New Horizon'	New Horizon Elm	50mm Cal	WB	As Shown
Deciduous Shrubs						
Cas	134	Cornus sanguinea 'Arctic Sun'	Arctic Sun Dogwood	60cm H	PT	As Shown
Hpb	104	Hydrangea paniculata 'Bombay'	Bombay Hydrangea	60cm H	PT	As Shown
Pop	113	Physocarpus opulifolius 'Polaris 1'	Gumdrop Burgundy Candy Ninebark	60cm H	PT	As Shown
Pib	14	Potentilla fruticosa 'Belle Sol'	Bombshell Hydrangea	40cm H	PT	As Shown
Rag	66	Rhus aromatica 'Gro-Low'	Gro-Low Fragrant Sumac	60cm H	PT	As Shown
Rer	66	Rosa Easy Elegance 'BAI rage'	Easy Elegance At The Rage	60cm H	PT	As Shown
Sgf	54	Spiraea japonica 'Goldflame'	Goldflame Spirea	60cm H	PT	As Shown
Coniferous Shrubs						
Mi	12	Microbotrys decussata	Siberian Carpet Cypress	40cm Spr	PT	As Shown
Ornamental Grasses						
Cas	270	Calamagrostis acutiflora 'Overland'	Overland Feather Reed Grass	1g	PT	50cm O.C.
db	288	Deschampsia cespitosa 'Bronzschier'	Bronze Veil Tufted Hair Grass	1g	PT	50cm O.C.

NOTE:
THE POSITION OF ALL POLE LINES, CONDUITS, WATERMANS, SEWERS AND OTHER UNDERGROUND AND OVERGROUND UTILITIES AND STRUCTURES IS NOT NECESSARILY SHOWN ON THE CONTRACT DRAWINGS, AND WHERE SHOWN, THE ACCURACY OF THE POSITION OF SUCH UTILITIES AND STRUCTURES IS NOT GUARANTEED. BEFORE STARTING WORK, DETERMINE THE EXACT LOCATION OF ALL SUCH UTILITIES AND STRUCTURES AND ASSUME ALL LIABILITY FOR DAMAGE TO THEM.

Owner:
Morus LP
c/o Russell Beach
16766 rte Trans-Canada, Suite 500
Kirkland, Quebec
H9H 4M7

NOT FOR CONSTRUCTION

NO.	REVISION	DATE	BY
4.	REVISED PER CITY COMMENTS	AUG 4/21	RGJ
3.	ISSUED FOR IGMF	MAY 28/21	RGJ
2.	ISSUED FOR SITE PLAN APPROVAL	MAY 28/21	RGJ
1.	ISSUED FOR COORDINATION	MAY 20/21	RGJ

SCALE
1:400

FOR REVIEW ONLY

RGJMEL
RGJ
MEL
RGJ
RGJ

LOCATION
SORTATION FACILITY
99 BILL LEATHER DRIVE, 2 LEIKIN DRIVE AND 20 LEIKIN DRIVE, OTTAWA, ONTARIO

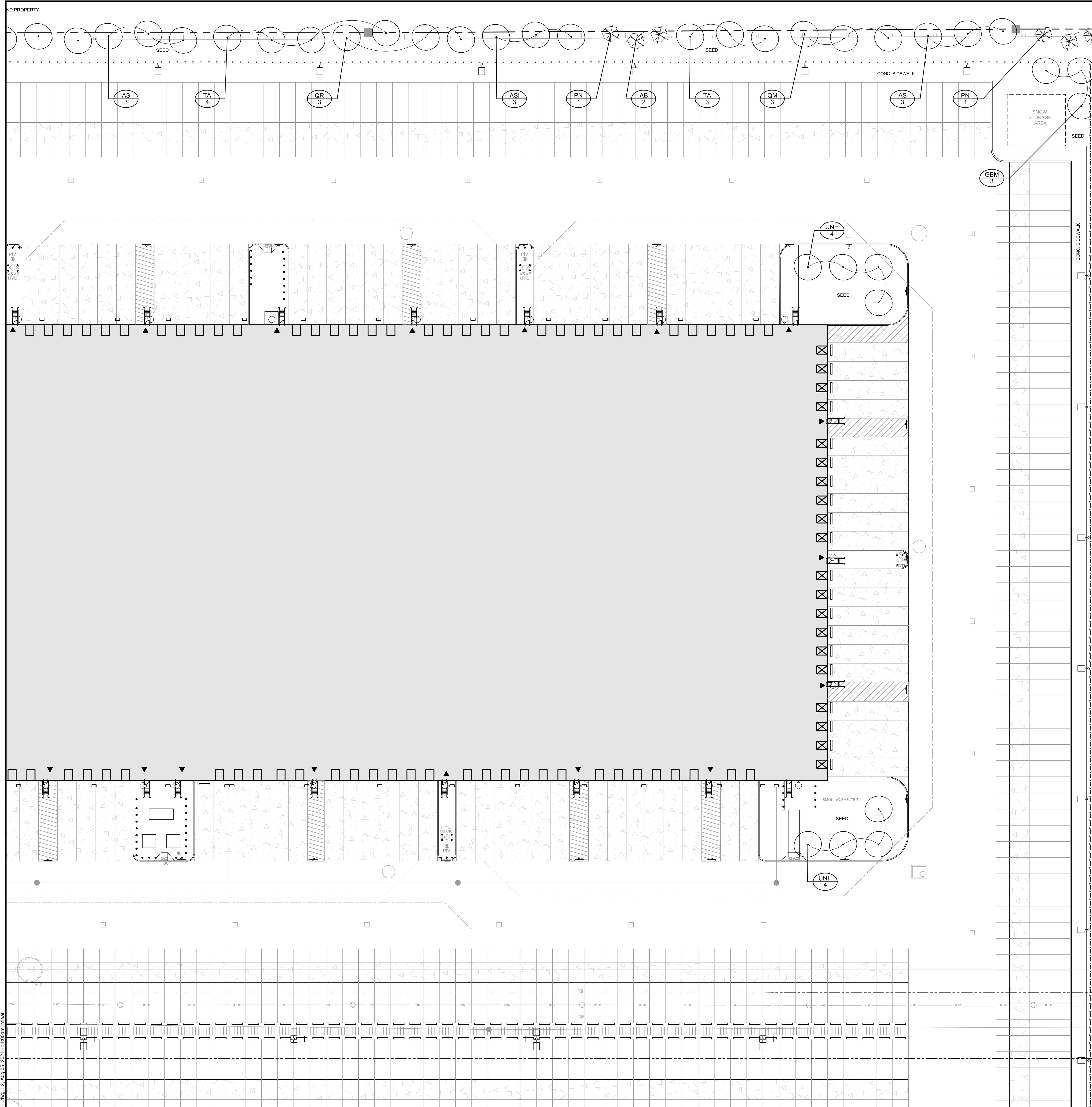
DRAWING NAME
LANDSCAPE
NORTH WEST DEVELOPMENT

PROJECT NO.: 121137-00
REV # 4
DRAWING NO.: 121137-L1

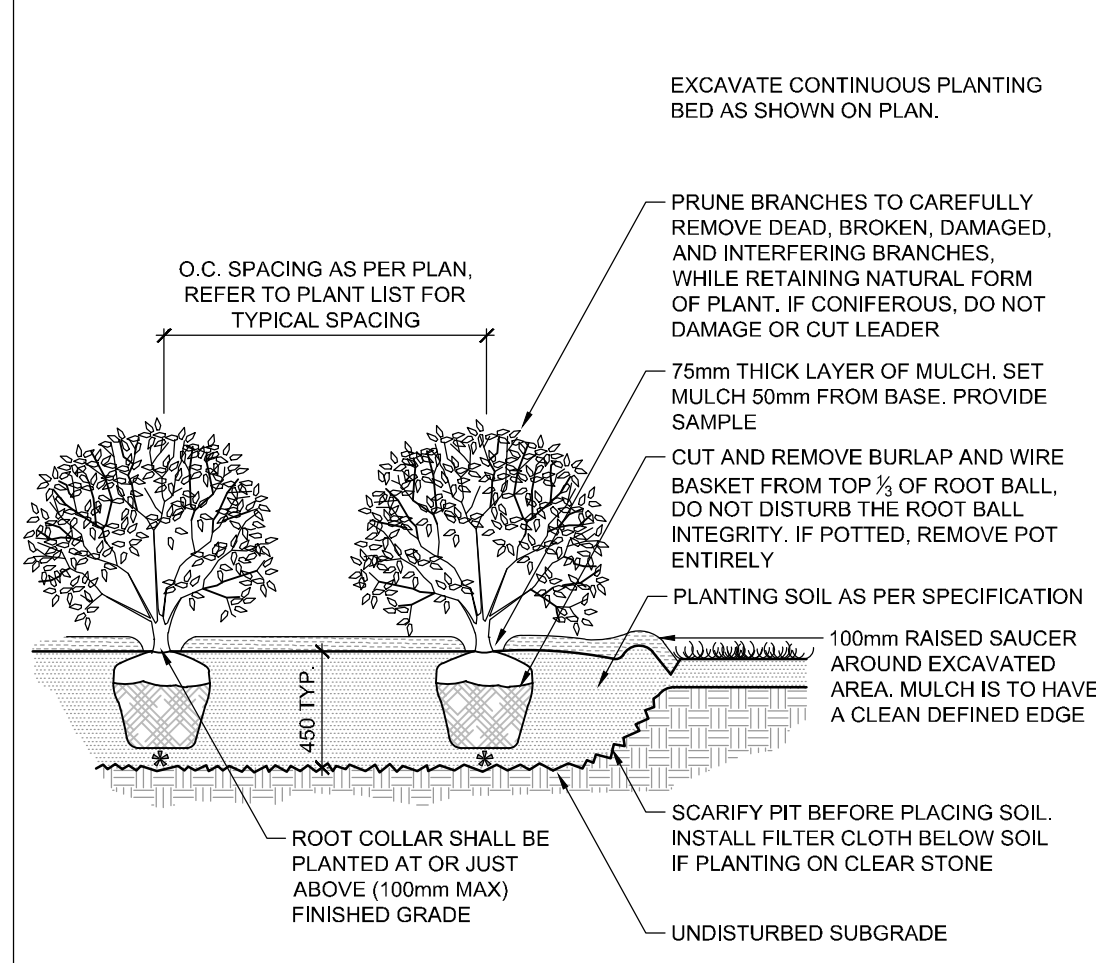
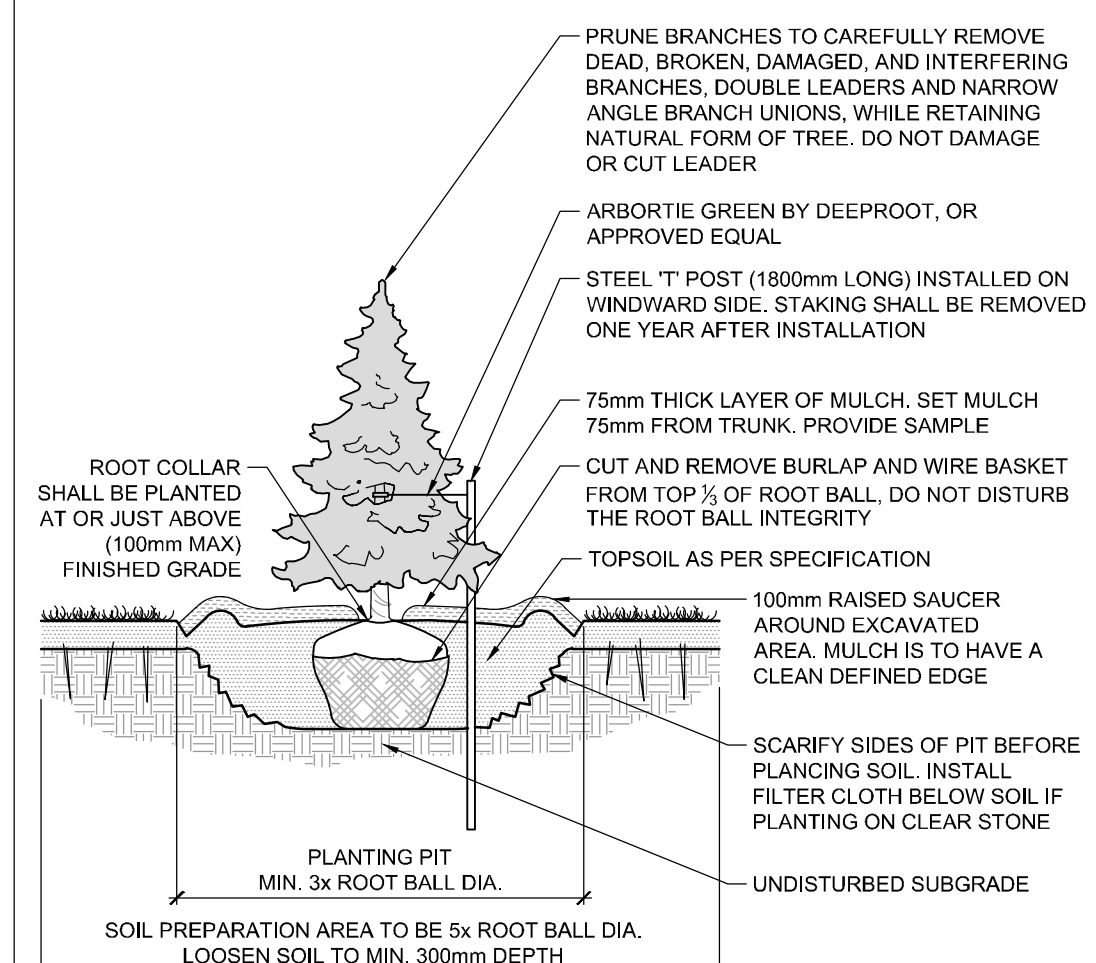
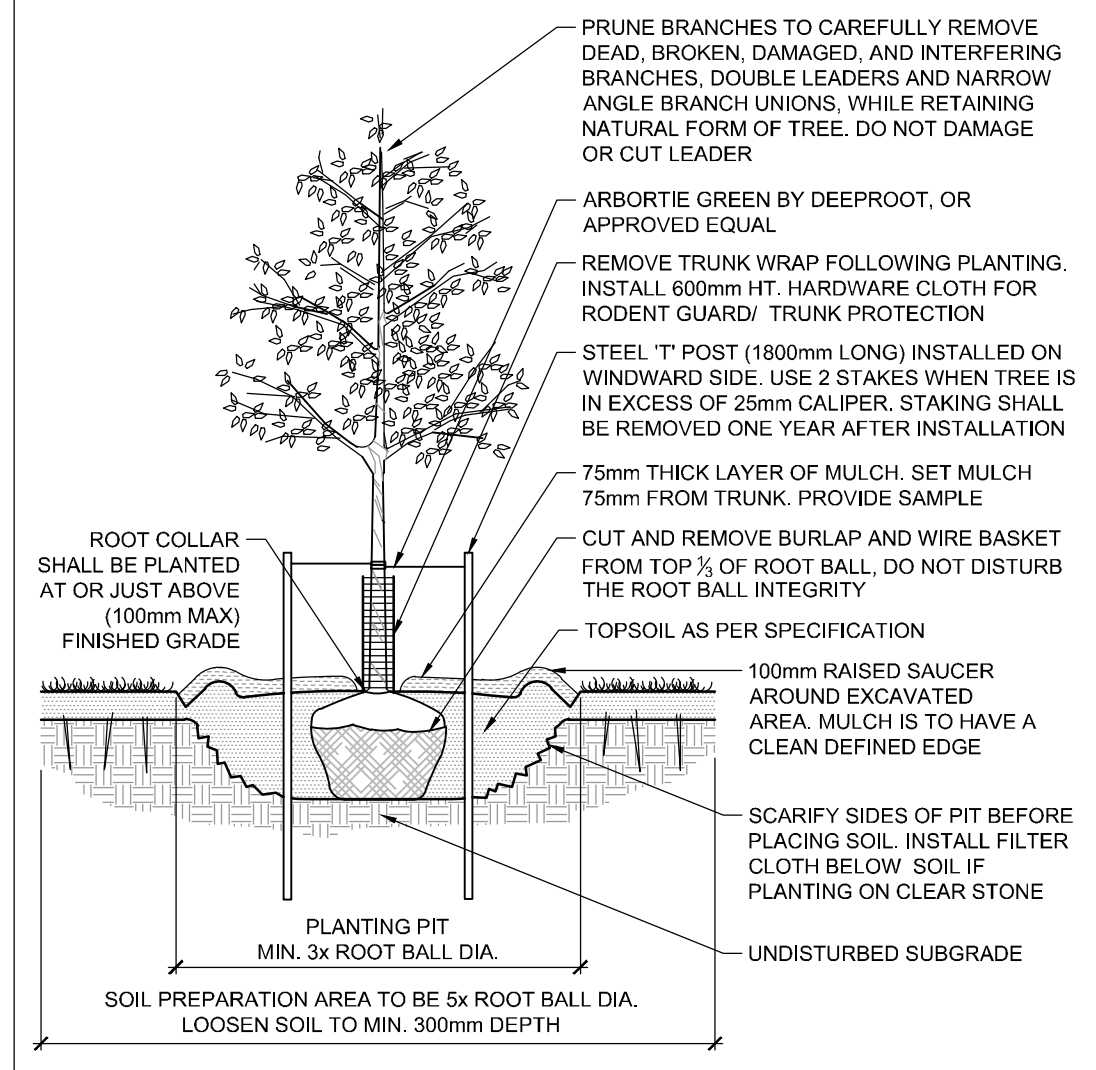
NOVATECH
Engineers, Planners & Landscape Architects
Suite 200, 240 Michael Cowpland Drive
Ottawa, Ontario, Canada K2M 1P6
Telephone: (613) 254-9643
Facsimile: (613) 254-5867
Website: www.novatech-eng.com

PROFESSIONAL SEAL
LANDSCAPE ARCHITECT
ANGELA J. JAMES
MEMBER
NOVEMBER 2010

D07-12-21-0079



- LEGEND**
- PROPOSED CONIFEROUS TREE
 - PROPOSED DECIDUOUS TREE
 - PROPOSED SHRUBS
 - ORNAMENTAL GRASSES
 - SPECIES (SEE PLANT LIST)
 - QUANTITY
 - DETAIL NUMBER
 - SHEET NUMBER LOCATION
 - TREE PROTECTION FENCE
 - 1.8m HT. CHAIN LINK FENCE
 - PEDESTRIAN FENCE
 - BOLLARDS
 - BENCH
 - TRASH CONTAINER
 - LIGHTS



PLANT LIST

121137 - Plant List - L2

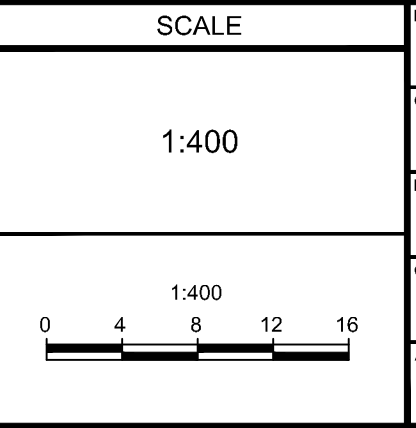
KEY	QTY	BOTANICAL NAME	COMMON NAME	SIZE	COND	SPACING
Coniferous Trees						
AB	4	<i>Abies balsamea</i>	Balsam Fir	200cm Ht	WB	As Shown
PN	2	<i>Pinus nigra</i>	Australian Pine	200cm Ht	WB	As Shown
Deciduous Trees						
ASI	3	<i>Acer saccharinum</i>	Silver Maple	50mm Cal	WB	As Shown
AS	6	<i>Acer saccharum</i>	Sugar Maple	50mm Cal	WB	As Shown
GBM	3	<i>Cornus kochii 'Magyar'</i>	Magyar Dogwood	50mm Cal	WB	As Shown
QM	3	<i>Quercus macrocarpa</i>	Bur Oak	50mm Cal	WB	As Shown
QR	3	<i>Quercus rubra</i>	Red Oak	50mm Cal	WB	As Shown
TA	7	<i>Tilia americana</i>	Basswood	50mm Cal	WB	As Shown
UNH	8	<i>Ulmus x 'New Horizon'</i>	New Horizon Elm	50mm Cal	WB	As Shown

NOTE:
THE POSITION OF ALL POLE LINES, CONDUITS, WATERMANS, SEWERS AND OTHER UNDERGROUND AND OVERGROUND UTILITIES AND STRUCTURES IS NOT NECESSARILY SHOWN ON THE CONTRACT DRAWINGS, AND WHERE SHOWN, THE ACCURACY OF THE POSITION OF SUCH UTILITIES AND STRUCTURES IS NOT GUARANTEED. BEFORE STARTING WORK, DETERMINE THE EXACT LOCATION OF ALL SUCH UTILITIES AND STRUCTURES AND ASSUME ALL LIABILITY FOR DAMAGE TO THEM.

Owner:
Mocussa LP
c/o Russell Beach
16766 rte Trans-Canada, Suite 500
Kirkland, Quebec
H9H 4M7

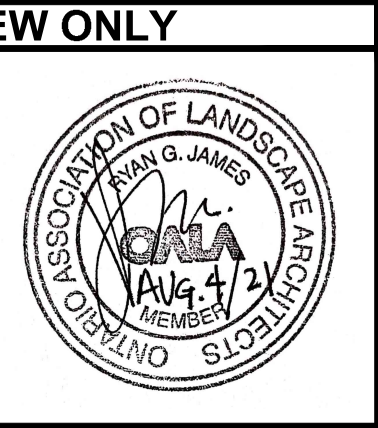
NOT FOR CONSTRUCTION

No.	REVISION	DATE	BY
4.	REVISED PER CITY COMMENTS	AUG 4/21	RGJ
3.	ISSUED FOR IGMP	MAY 28/21	RGJ
2.	ISSUED FOR SITE PLAN APPROVAL	MAY 28/21	RGJ
1.	ISSUED FOR COORDINATION	MAY 20/21	RGJ



FOR REVIEW ONLY

DESIGN	RGJ/MEL
CHECKED	RGJ
DRAWN	MEL
CHECKED	RGJ
APPROVED	RGJ



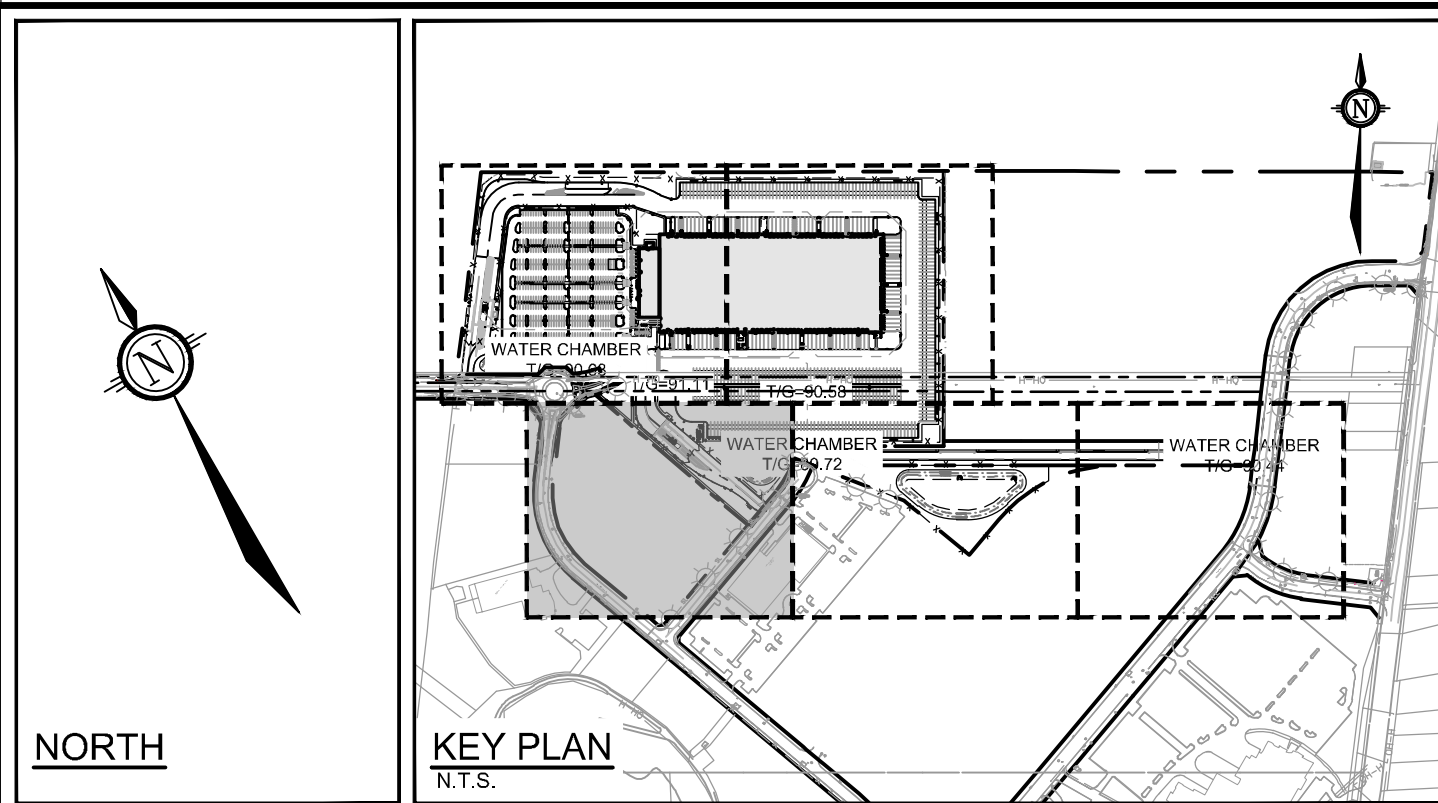
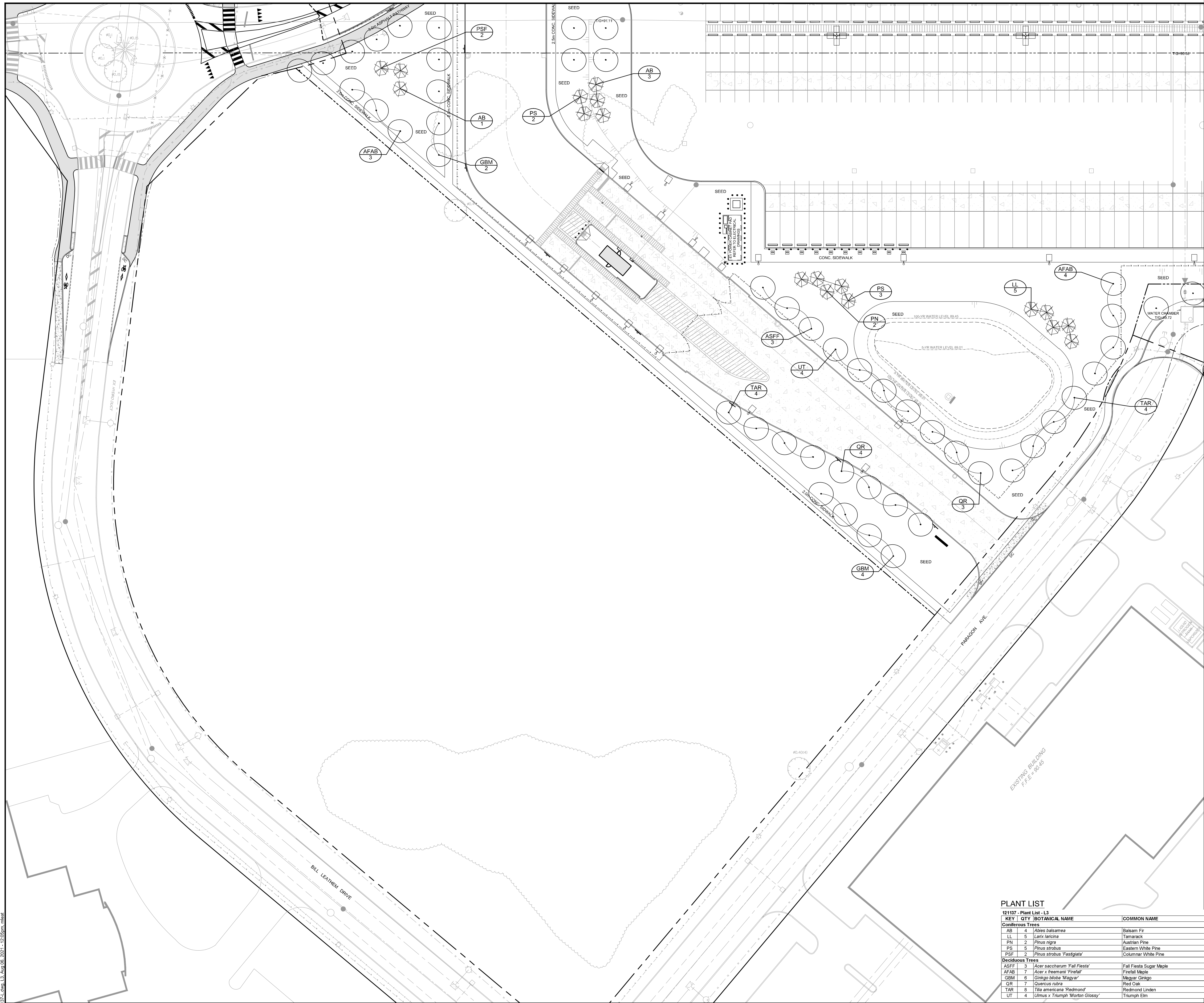
NOVATECH
Engineers, Planners & Landscape Architects
Suite 200, 240 Michael Copeland Drive
Ottawa, Ontario, Canada K2M 1P6
Telephone: (613) 254-9643
Facsimile: (613) 254-5867
Website: www.novatech-eng.com

LOCATION
SORTATION FACILITY
99 BILL LEATHER DRIVE, 2 & 20 LEIKIN DRIVE, OTTAWA, ONTARIO

DRAWING NAME
LANDSCAPE NORTH EAST DEVELOPMENT

PROJECT NO.: 121137-00
REV: REV # 4
DRAWING NO.: 121137-L2

D07-12-21-0079



- LEGEND**
- PROPOSED CONIFEROUS TREE
 - PROPOSED DECIDUOUS TREE
 - PROPOSED SHRUBS
 - ORNAMENTAL GRASSES
 - SPECIES (SEE PLANT LIST)
 - QUANTITY
 - DETAIL NUMBER
 - SHEET NUMBER LOCATION
 - TREE PROTECTION FENCE
 - 1.8m HT. CHAIN LINK FENCE
 - PEDESTRIAN FENCE
 - BOLLARDS
 - BENCH
 - TRASH CONTAINER
 - LIGHTS

CITY OF OTTAWA TREE PROTECTION SPECIFICATION

D4

TREE PROTECTION REQUIREMENTS:

- 1. FENCE TO ANY WORK ACTIVITY WITHIN THE CRITICAL ROOT ZONE (CRZ) - 1/4 QUARTER OF A TREE. TREE PROTECTION FENCES MUST BE INSTALLED SUPERSEDING THE CRITICAL ROOT ZONE, AND REMAIN IN PLACE UNTIL THE WORK IS COMPLETE.
- 2. FENCE MUST BE 1.8 METERS HIGH AND BE CONSTRUCTED FROM 1.8 METERS TO 2.1 METERS ABOVE THE GROUND SURFACE. FENCE MUST BE 1.8 METERS WIDE AND BE CONSTRUCTED FROM 1.8 METERS TO 2.1 METERS ABOVE THE GROUND SURFACE.
- 3. FENCE MUST BE 1.8 METERS WIDE AND BE CONSTRUCTED FROM 1.8 METERS TO 2.1 METERS ABOVE THE GROUND SURFACE.
- 4. FENCE MUST BE 1.8 METERS WIDE AND BE CONSTRUCTED FROM 1.8 METERS TO 2.1 METERS ABOVE THE GROUND SURFACE.

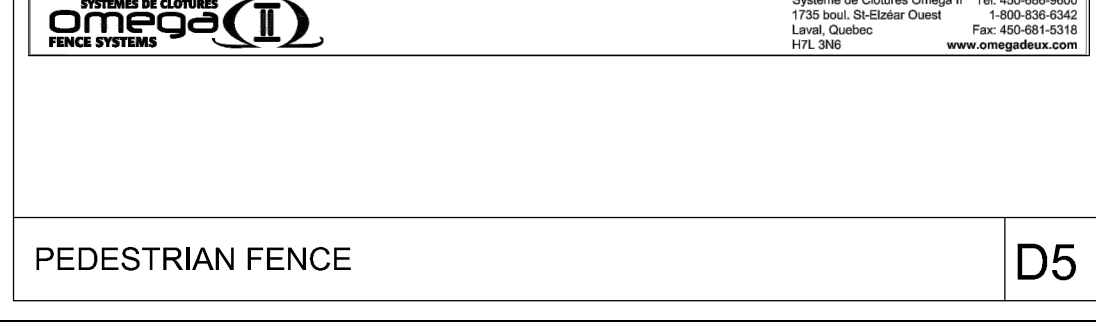
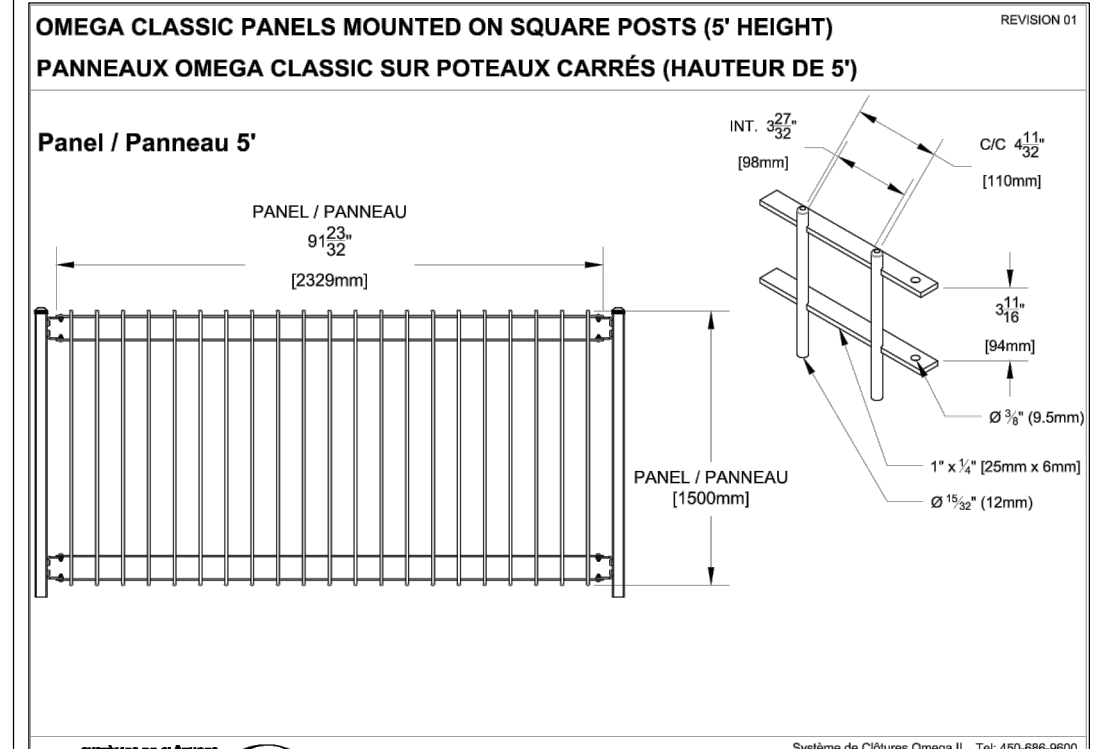
TREE PROTECTION SPECIFICATION

TO BE IMPLEMENTED FOR ALL TREE PROTECTION WORK. THIS SPECIFICATION IS TO BE USED IN CONJUNCTION WITH THE CITY OF OTTAWA TREE PROTECTION SPECIFICATION (D4) AND THE CITY OF OTTAWA TREE PROTECTION SPECIFICATION (D5).

PLANT LIST

121137 - Plant List - L3

KEY	QTY	BOTANICAL NAME	COMMON NAME	SIZE	COND	SPACING
Coniferous Trees						
AB	4	Abies balsamea	Balsam Fir	200cm H	WB	As Shown
LL	5	Larix laricina	Tamarack	200cm H	WB	As Shown
PN	2	Pinus nigra	Austrian Pine	200cm H	WB	As Shown
PS	5	Pinus strobus	Eastern White Pine	200cm H	WB	As Shown
PSF	2	Pinus strobus 'Fastigata'	Columnar White Pine	200cm H	WB	As Shown
Deciduous Trees						
ASFF	3	Acer saccharum 'Fall Fiesta'	Fall Fiesta Sugar Maple	50mm Cal	WB	As Shown
AFAB	7	Acer x freemontii 'Fendler'	Fendler Maple	50mm Cal	WB	As Shown
GBM	6	Ginkgo biloba 'Magyar'	Magyar Ginkgo	50mm Cal	WB	As Shown
QR	7	Quercus rubra	Red Oak	50mm Cal	WB	As Shown
TAR	6	Tax americana 'Redmond'	Redmond Linden	50mm Cal	WB	As Shown
UT	4	Ulmus x Triumph 'Morton Glossy'	Triumph Elm	50mm Cal	WB	As Shown



NOTE:
THE POSITION OF ALL POLE LINES, CONDUITS, WATERMANS, SEWERS AND OTHER UNDERGROUND AND OVERGROUND UTILITIES AND STRUCTURES IS NOT NECESSARILY SHOWN ON THE CONTRACT DRAWINGS, AND WHERE SHOWN, THE ACCURACY OF THE POSITION OF SUCH UTILITIES AND STRUCTURES IS NOT GUARANTEED. BEFORE STARTING WORK, DETERMINE THE EXACT LOCATION OF ALL SUCH UTILITIES AND STRUCTURES AND ASSUME ALL LIABILITY FOR DAMAGE TO THEM.

Owner:
Mocussa LP
c/o Russell Beach
16766 rue Trans-Canada, Suite 500
Kirkland, Québec
H9H 4M7

NOT FOR CONSTRUCTION

REVISION

No.	REVISION	DATE	BY
4.	REVISED PER CITY COMMENTS	AUG 4 2021	RGJ
3.	ISSUED FOR IGMP	MAY 28 2021	RGJ
2.	ISSUED FOR SITE PLAN APPROVAL	MAY 28 2021	RGJ
1.	ISSUED FOR COORDINATION	MAY 20 2021	RGJ

SCALE

1:400

0 4 8 12 16

FOR REVIEW ONLY

DESIGN: RGJMEL
CHECKED: RGJ
DRAWN: MEL
CHECKED: RGJ
APPROVED: RGJ

ASSOCIATION OF LANDSCAPE ARCHITECTS OF ONTARIO

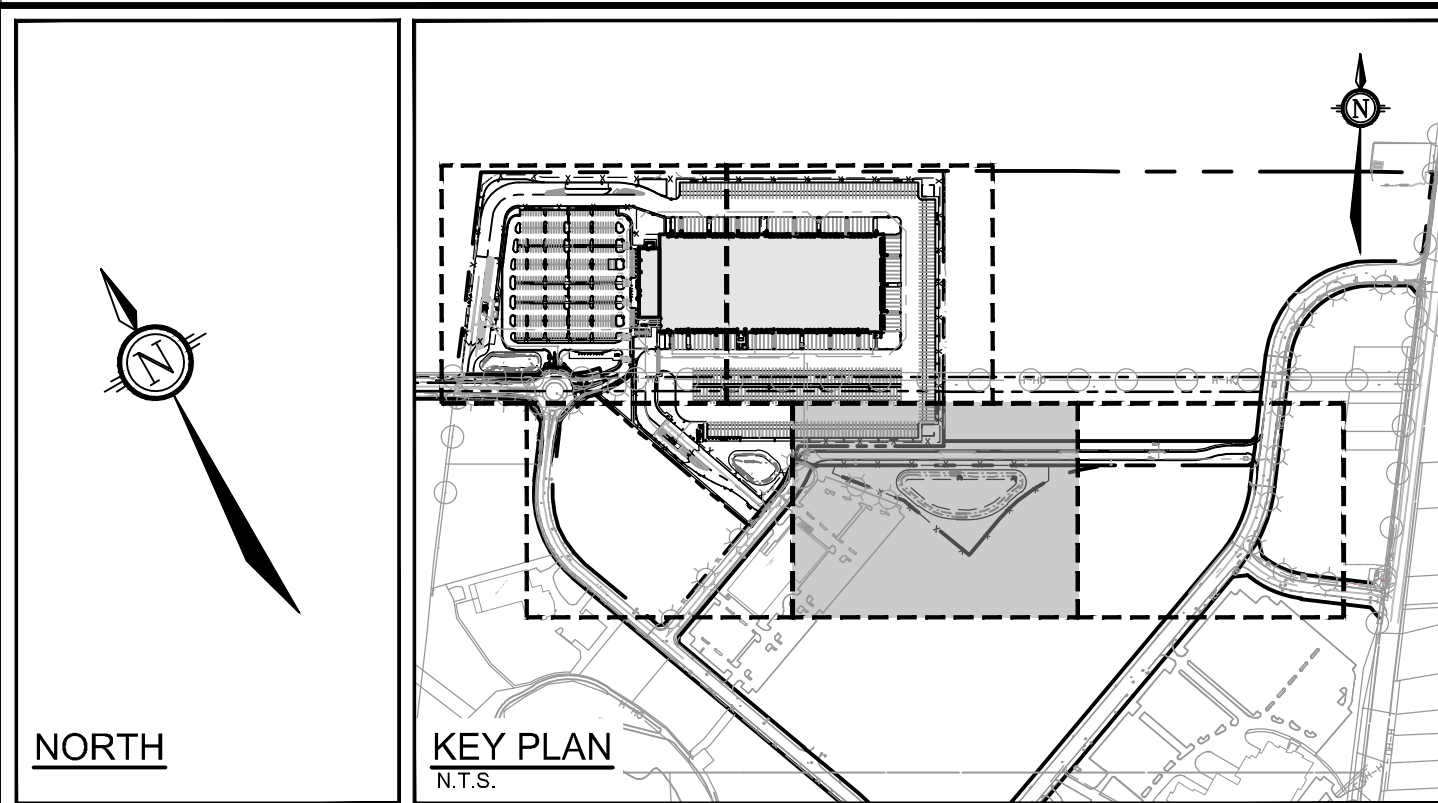
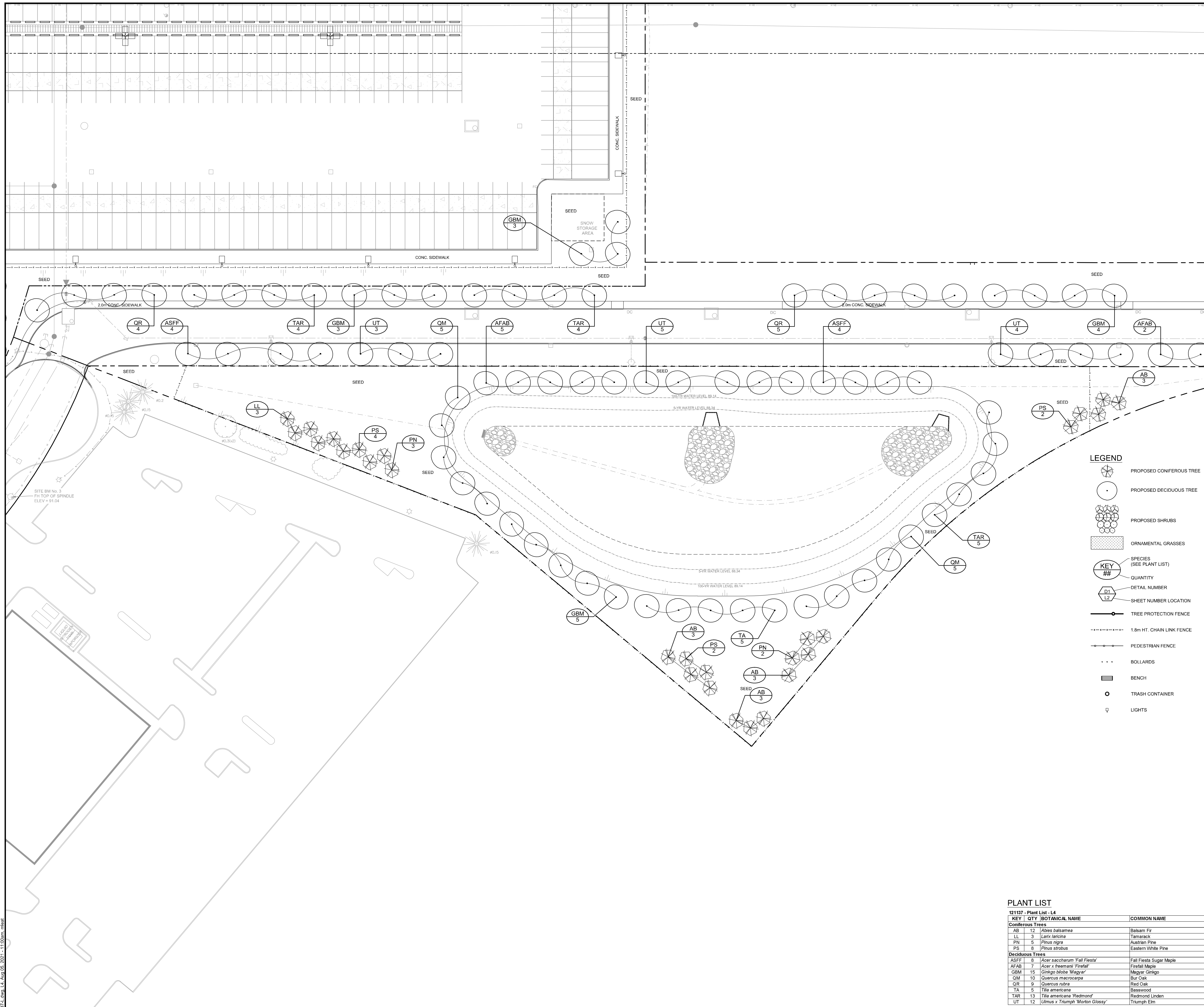
NOVATECH
Engineers, Planners & Landscape Architects
Suite 200, 240 Michael Copeland Drive
Ottawa, Ontario, Canada K2M 1P6
Telephone: (613) 254-9643
Facsimile: (613) 254-5867
Website: www.novatech-eng.com

LOCATION
SORTATION FACILITY
99 BILL LEATHAM DRIVE, 2 & 20 LEIKIN DRIVE, OTTAWA, ONTARIO

DRAWING NAME
LANDSCAPE
SOUTH WEST DEVELOPMENT

PROJECT No.: 121137-00
REV: REV # 4
DRAWING No.: 121137-L3

D07-12-21-0079

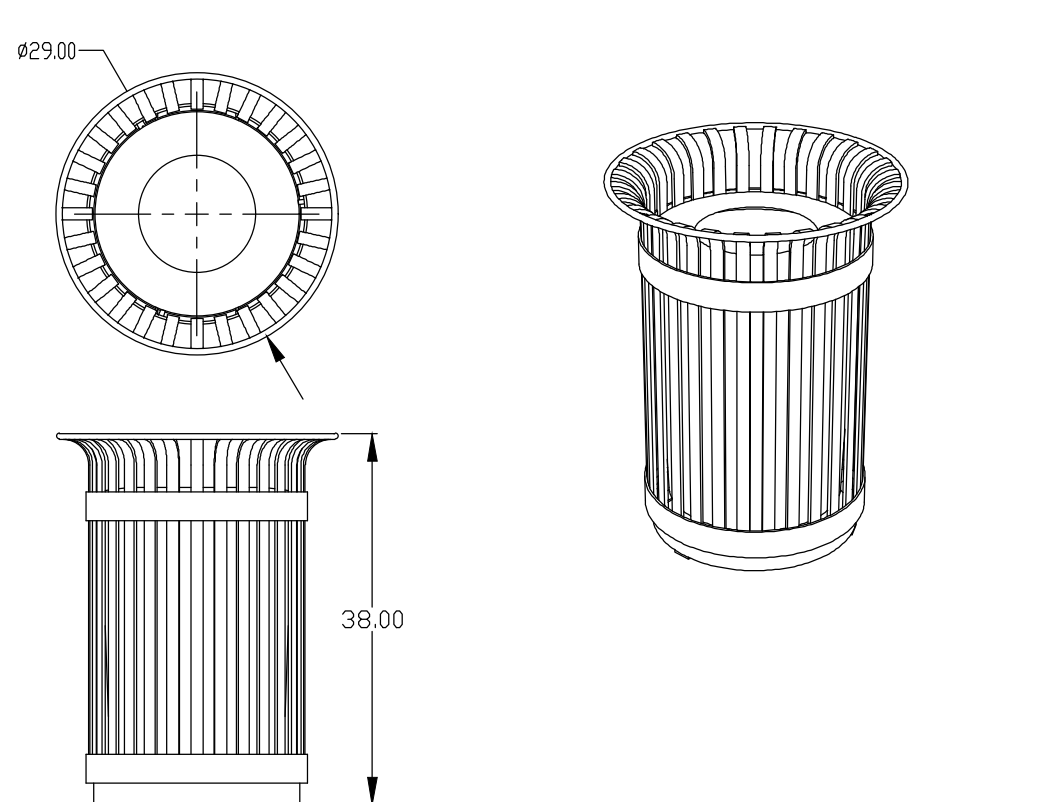


- LEGEND**
- PROPOSED CONIFEROUS TREE
 - PROPOSED DECIDUOUS TREE
 - PROPOSED SHRUBS
 - ORNAMENTAL GRASSES
 - SPECIES (SEE PLANT LIST)
 - QUANTITY
 - DETAIL NUMBER
 - SHEET NUMBER LOCATION
 - TREE PROTECTION FENCE
 - 1.8m HT. CHAIN LINK FENCE
 - PEDESTRIAN FENCE
 - BOLLARDS
 - BENCH
 - TRASH CONTAINER
 - LIGHTS

PLANT LIST

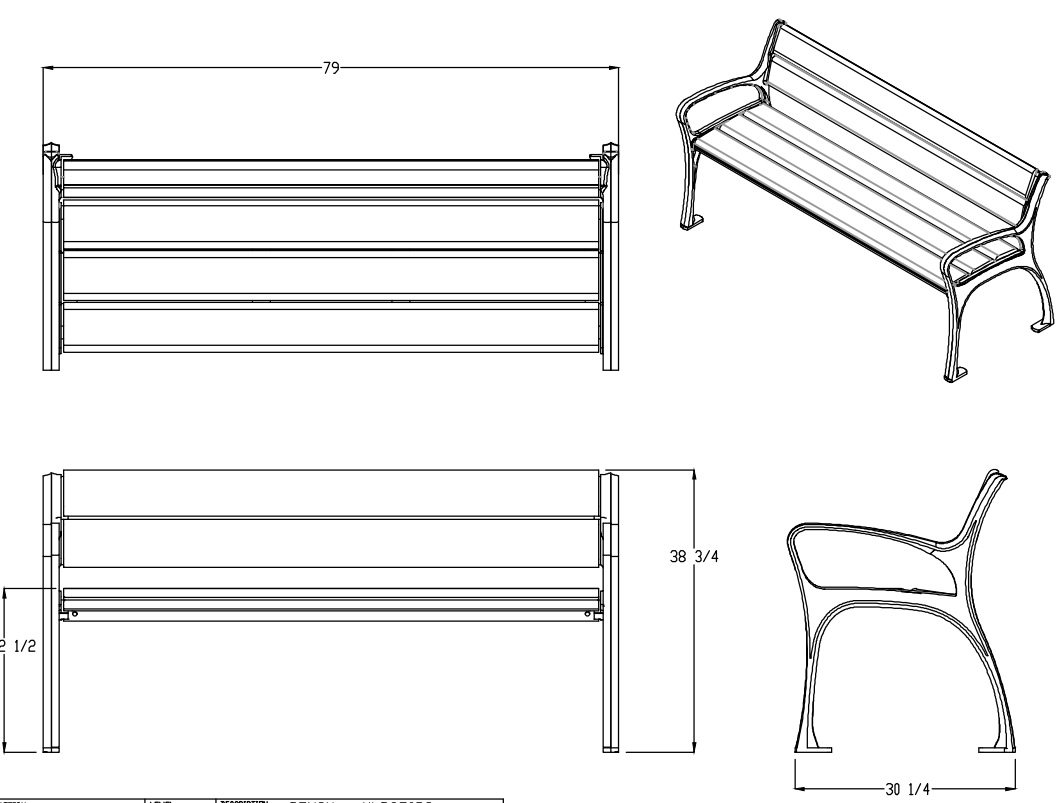
121137 - Plant List - L4

KEY	QTY	BOTANICAL NAME	COMMON NAME	SIZE	COND	SPACING
Coniferous Trees						
AB	12	Abies balsamea	Balsam Fir	200cm Ht	WB	As Shown
LL	3	Larix laricina	Tamarack	200cm Ht	WB	As Shown
PN	5	Pinus nigra	Austrian Pine	200cm Ht	WB	As Shown
PS	8	Pinus strobus	Eastern White Pine	200cm Ht	WB	As Shown
Deciduous Trees						
ASFF	5	Acer saccharum 'Fall Fiesta'	Fall Fiesta Sugar Maple	50mm Cal	WB	As Shown
AFAB	7	Acer x freemanii 'Firefall'	Firefall Maple	50mm Cal	WB	As Shown
GBM	15	Ginkgo biloba 'Mayer'	Mayer Ginkgo	50mm Cal	WB	As Shown
QM	10	Quercus macrocarpa	Big Oak	50mm Cal	WB	As Shown
QR	9	Quercus rubra	Red Oak	50mm Cal	WB	As Shown
TA	5	Tilia americana	Basawood	50mm Cal	WB	As Shown
TAR	13	Tilia americana 'Redmond'	Redmond Linden	50mm Cal	WB	As Shown
UT	12	Ulmus x Triumph 'Morton Glossy'	Triumph Elm	50mm Cal	WB	As Shown



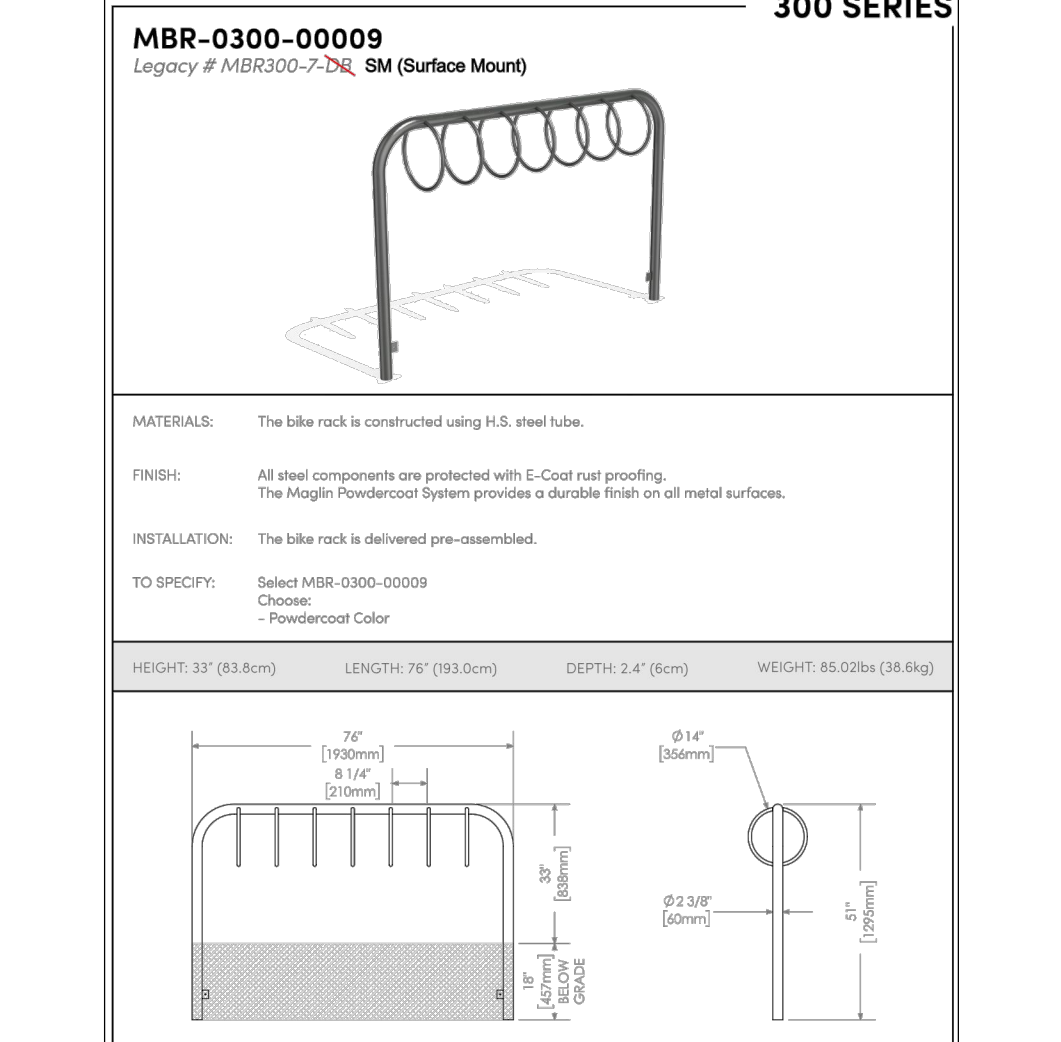
DATE	12/12/2017	PROJECT	121137-14
SCALE	N.T.S.	DRAWING NAME	LANDSCAPE SOUTH EAST DEVELOPMENT
DESIGNER	RGJ/MEL	LOCATION	99 BILL LEATHER DRIVE, 2 & 20 LEIKIN DRIVE, OTTAWA, ONTARIO
CHECKED	RGJ	DRAWING NO.	121137-00
DRAWN	MEL	REV	REV # 4
CHECKED	RGJ	DRAWING NO.	121137-14
APPROVED	RGJ	DATE	12/12/2017

TRASH CONTAINER - MLWR200-32 D6



DATE	12/12/2017	PROJECT	121137-14
SCALE	N.T.S.	DRAWING NAME	LANDSCAPE SOUTH EAST DEVELOPMENT
DESIGNER	RGJ/MEL	LOCATION	99 BILL LEATHER DRIVE, 2 & 20 LEIKIN DRIVE, OTTAWA, ONTARIO
CHECKED	RGJ	DRAWING NO.	121137-00
DRAWN	MEL	REV	REV # 4
CHECKED	RGJ	DRAWING NO.	121137-14
APPROVED	RGJ	DATE	12/12/2017

BENCH - MLB870PC D7



DATE	12/12/2017	PROJECT	121137-14
SCALE	N.T.S.	DRAWING NAME	LANDSCAPE SOUTH EAST DEVELOPMENT
DESIGNER	RGJ/MEL	LOCATION	99 BILL LEATHER DRIVE, 2 & 20 LEIKIN DRIVE, OTTAWA, ONTARIO
CHECKED	RGJ	DRAWING NO.	121137-00
DRAWN	MEL	REV	REV # 4
CHECKED	RGJ	DRAWING NO.	121137-14
APPROVED	RGJ	DATE	12/12/2017

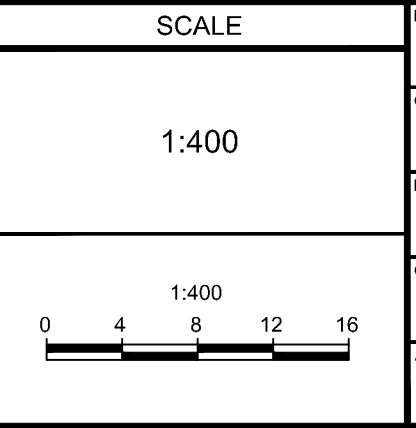
BIKE RACK - MBR300-7-SM D8

NOTE: THE POSITION OF ALL POLE LINES, CONDUITS, WATERMANS, SEWERS AND OTHER UNDERGROUND AND OVERGROUND UTILITIES AND STRUCTURES IS NOT NECESSARILY SHOWN ON THE CONTRACT DRAWINGS, AND WHERE SHOWN, THE ACCURACY OF THE POSITION OF SUCH UTILITIES AND STRUCTURES IS NOT GUARANTEED. BEFORE STARTING WORK, DETERMINE THE EXACT LOCATION OF ALL SUCH UTILITIES AND STRUCTURES AND ASSUME ALL LIABILITY FOR DAMAGE TO THEM.

Owner:
Mocusa LP
c/o Russell Beach
16766 rte Trans-Canada, Suite 500
Kirkland, Quebec
H9H 4M7

NOT FOR CONSTRUCTION

NO.	REVISION	DATE	BY
1.	ISSUED FOR COORDINATION	MAY 2021	RGJ
2.	ISSUED FOR SITE PLAN APPROVAL	MAY 2021	RGJ
3.	ISSUED FOR IGMP	MAY 2021	RGJ
4.	REVISED PER CITY COMMENTS	AUG 4 2021	RGJ



DESIGN: RGJ/MEL
CHECKED: RGJ
DRAWN: MEL
CHECKED: RGJ
APPROVED: RGJ

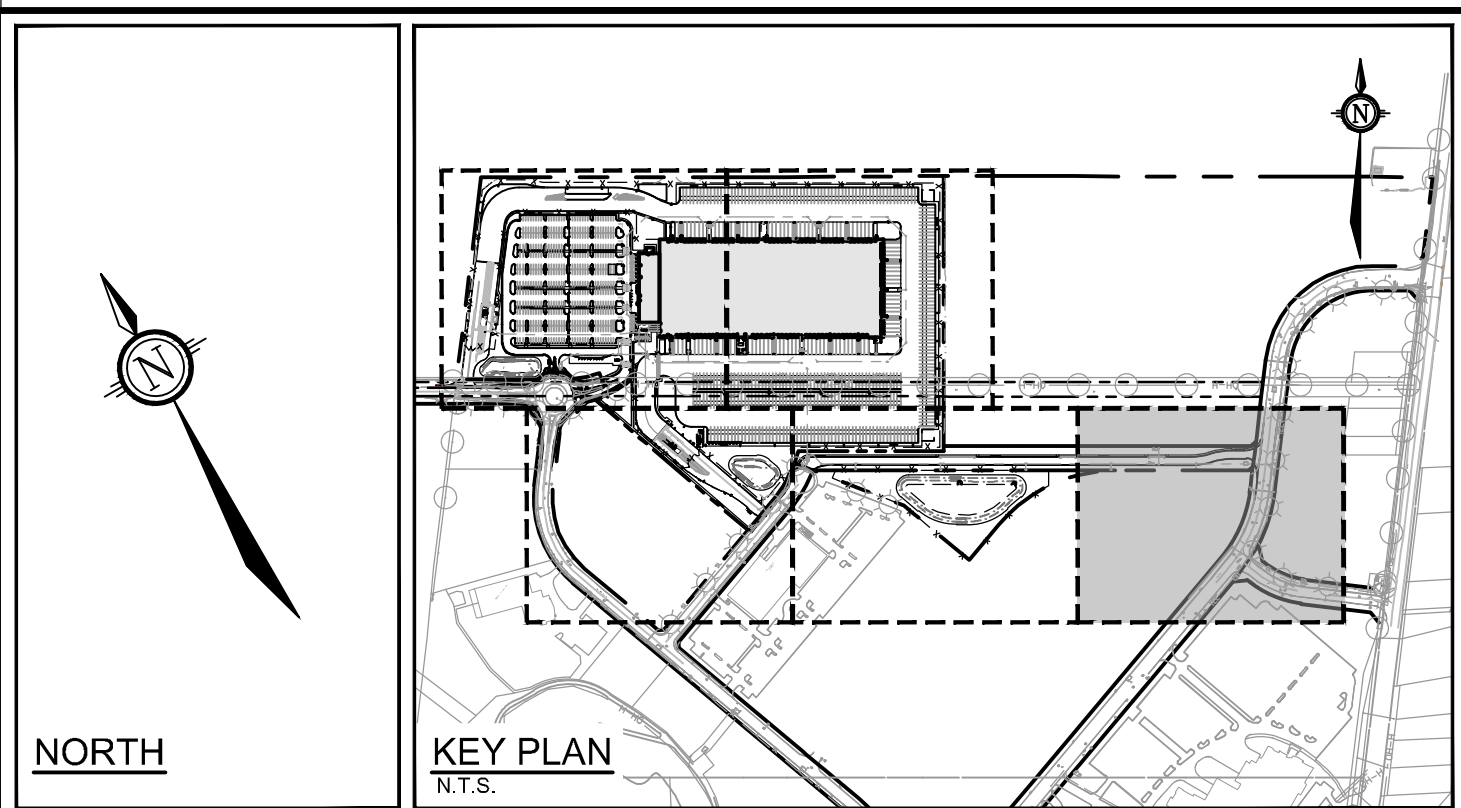
FOR REVIEW ONLY



NOVATECH
Engineers, Planners & Landscape Architects
Suite 200, 240 Michael Copeland Drive
Ottawa, Ontario, Canada K2M 1P6
Telephone: (613) 254-9643
Facsimile: (613) 254-5867
Website: www.novatech-eng.com

DATE	12/12/2017	PROJECT	121137-14
SCALE	N.T.S.	DRAWING NAME	LANDSCAPE SOUTH EAST DEVELOPMENT
DESIGNER	RGJ/MEL	LOCATION	99 BILL LEATHER DRIVE, 2 & 20 LEIKIN DRIVE, OTTAWA, ONTARIO
CHECKED	RGJ	DRAWING NO.	121137-00
DRAWN	MEL	REV	REV # 4
CHECKED	RGJ	DRAWING NO.	121137-14
APPROVED	RGJ	DATE	12/12/2017

D07-12-21-0079 #18474



- LEGEND**
- PROPOSED CONIFEROUS TREE
 - PROPOSED DECIDUOUS TREE
 - PROPOSED SHRUBS
 - ORNAMENTAL GRASSES
 - SPECIES (SEE PLANT LIST)
 - QUANTITY
 - DETAIL NUMBER
 - SHEET NUMBER LOCATION
 - TREE PROTECTION FENCE
 - 1.8m HT. CHAIN LINK FENCE
 - PEDESTRIAN FENCE
 - BOLLARDS
 - BENCH
 - TRASH CONTAINER
 - LIGHTS

PLANT LIST
121137 - Plant List - L5

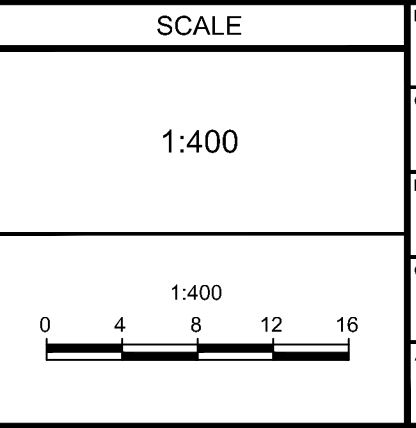
KEY	QTY	BOTANICAL NAME	COMMON NAME	SIZE	COND	SPACING
Deciduous Trees						
ASFF	4	<i>Acer saccharum 'Fall Fiesta'</i>	Fall Fiesta Sugar Maple	50mm Cal	WB	As Shown
AFAB	8	<i>Acer x freemanii 'Firefall'</i>	Firefall Maple	50mm Cal	WB	As Shown
GBM	5	<i>Ginkgo biloba 'Magyar'</i>	Magyar Ginkgo	50mm Cal	WB	As Shown
QM	4	<i>Quercus macrocarpa</i>	Bur Oak	50mm Cal	WB	As Shown
TAR	8	<i>Tilia americana 'Redmond'</i>	Redmond Linden	50mm Cal	WB	As Shown
UT	4	<i>Ulmus x Triumph 'Marlon Glossy'</i>	Triumph Elm	50mm Cal	WB	As Shown

NOTE:
THE POSITION OF ALL POLE LINES, CONDUITS, WATERMANS, SEWERS AND OTHER UNDERGROUND AND OVERGROUND UTILITIES AND STRUCTURES IS NOT NECESSARILY SHOWN ON THE CONTRACT DRAWINGS, AND WHERE SHOWN, THE ACCURACY OF THE POSITION OF SUCH UTILITIES AND STRUCTURES IS NOT GUARANTEED. BEFORE STARTING WORK, DETERMINE THE EXACT LOCATION OF ALL SUCH UTILITIES AND STRUCTURES AND ASSUME ALL LIABILITY FOR DAMAGE TO THEM.

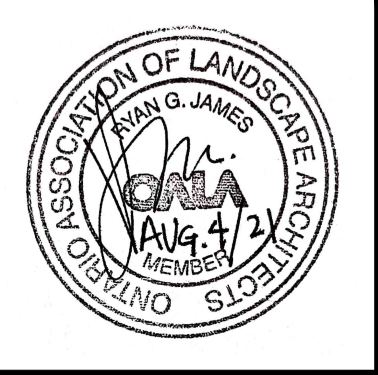
Owner:
Mocusa LP
c/o Russell Beach
16766 rte Trans-Canada, Suite 500
Kirkland, Quebec
H9H 4M7

NOT FOR CONSTRUCTION

No.	REVISION	DATE	BY
4.	REVISED PER CITY COMMENTS	AUG 4 2021	RGJ
3.	ISSUED FOR IGMP	MAY 28 2021	RGJ
2.	ISSUED FOR SITE PLAN APPROVAL	MAY 28 2021	RGJ
1.	ISSUED FOR COORDINATION	MAY 20 2021	RGJ



DESIGN	FOR REVIEW ONLY
RGJMEL	
RGJ	
MEL	
RGJ	
RGJ	



NOVATECH
Engineers, Planners & Landscape Architects
Suite 200, 240 Michael Copeland Drive
Ottawa, Ontario, Canada K2M 1P6
Telephone: (613) 254-9643
Facsimile: (613) 254-5867
Website: www.novatech-eng.com

LOCATION		PROJECT No.	
SORTATION FACILITY 99 BILL LEATHAM DRIVE, 2 & 20 LEIKIN DRIVE, OTTAWA, ONTARIO		121137-00	
DRAWING NAME		REV #	
LANDSCAPE PRIVATE ROAD		REV # 4	
DRAWING No.		121137-L5	

C:\Users\121137\Documents\121137-00\121137-L5.dwg, L5, Aug 05, 2021, 11:00am, vba14

D07-12-21-0079

#18474