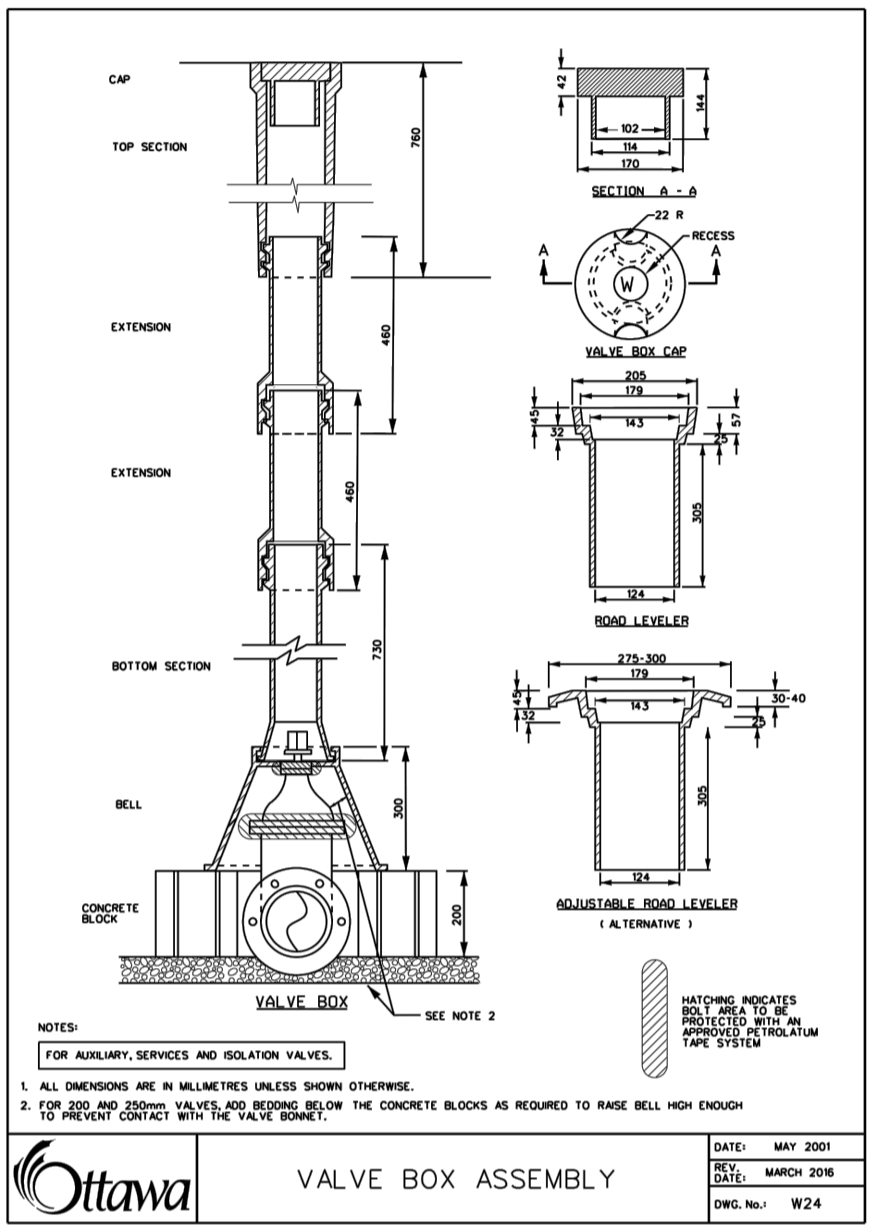
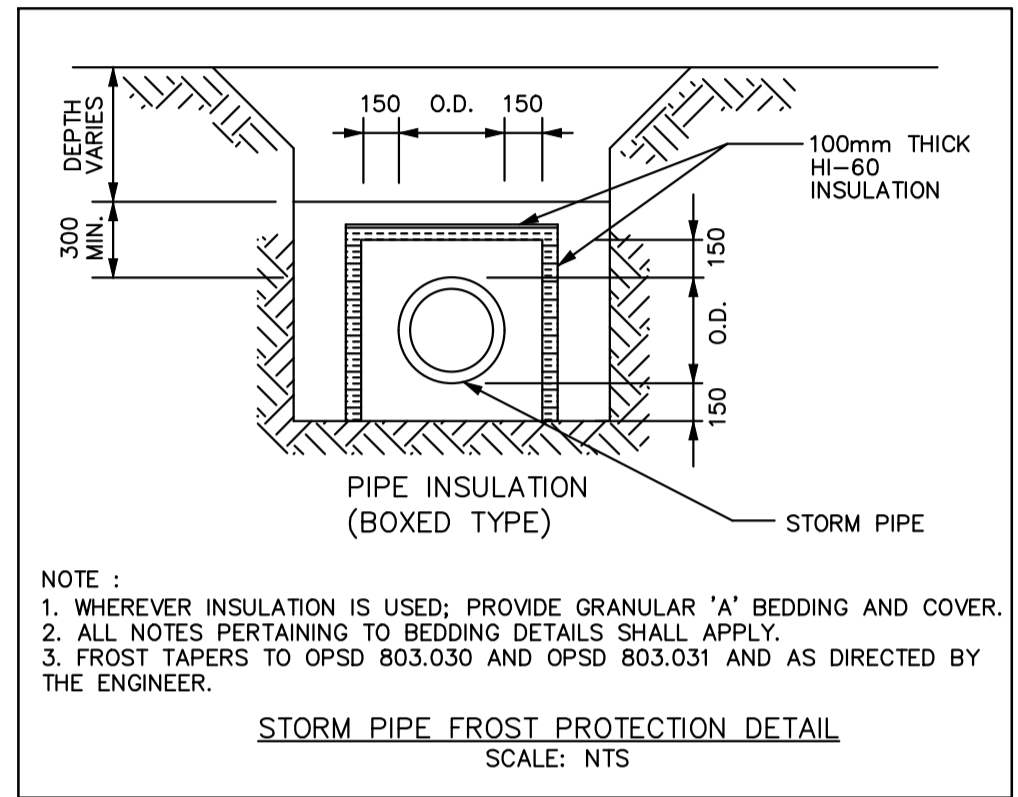
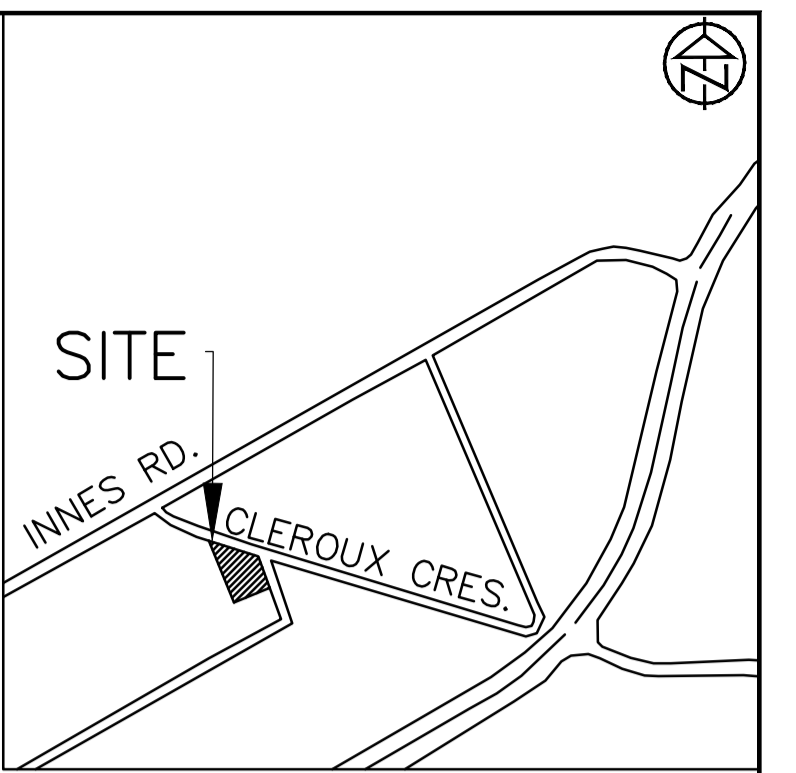


| MANHOLE TABLE | | |
|---------------|-------------|--------------|
| STORM | | |
| MH Number | Size | Cover |
| CB1 | 600x600mm | S19 |
| CBMH2 | 1200mm | S28.1 |
| CBMH3 | 1200mm | S28.1 |
| DICBMH4 | 1200mm | OPSD 403.010 |
| CBMH5 | 600mmX600mm | S28.1 |
| CB6 | 600mmX600mm | S19 |
| CB7 | 600mmX600mm | S19 |
| SANITARY | | |
| MH Number | Size | Cover |
| SANMH1 | 1200mm | S24 |
| SANMH2 | 1200mm | S24 |



DISCLAIMER AND COPYRIGHT
 CONTRACTOR MUST VERIFY ALL DIMENSIONS AND BE RESPONSIBLE FOR SAME. ANY DISCREPANCIES MUST BE REPORTED TO THE ENGINEER BEFORE COMMENCING WORK. DRAWINGS ARE NOT TO BE SCALED.
 TATHAM ENGINEERING LIMITED CLAIMS COPYRIGHT TO THIS DRAWING WHICH MAY NOT BE USED FOR ANY PURPOSE OTHER THAN THAT PROVIDED IN THE CONTRACT BETWEEN THE OWNER/CLIENT AND THE ENGINEER WITHOUT THE EXPRESS CONSENT OF TATHAM ENGINEERING LIMITED.

TOPOGRAPHIC SURVEY WAS COMPLETED BY STANTEC CONSULTING DATED JULY 19, 2016. ELEVATIONS SHOWN HEREON ARE GEODETIC (CGVD-1928/1978) AND ARE DERIVED FROM NCC VERTICAL CONTROL MONUMENT No.217 HAVING AN ELEVATION OF 85.00.
IBM: TOP OF SPINDLE OF FIRE HYDRANT LOCATED ON THE SITE NORTH ENTRANCE. ELEVATION=84.14m.

| No. | REVISION DESCRIPTION | DATE | ENGINEER STAMP |
|-----|----------------------|----------|----------------|
| 1. | ISSUED FOR SPA | JAN 2023 | |



BRIDOR DEVELOPMENTS
2380 & 2396 CLÉROUX CRESCENT
CITY OF OTTAWA

SITE SERVICING PLAN

TATHAM ENGINEERING

DESIGN: HY FILE: 523650 DWG: **C300**
 DRAWN: HY DATE: JAN 2023
 CHECK: GC SCALE: 1:300