



Enhancing our communities



# 2380 and 2396 Cléroux Crescent City of Ottawa

**SITE SERVICING AND STORMWATER MANAGEMENT REPORT**

Bridor Developments

# Document Control

File:

523650

Date:



June  
5, 2023

Prepared by:

**Tatham Engineering Limited**  
5335 Canotek Road, Unit 103  
Ottawa, Ontario K1J 9L4  
T 613-747-3636  
tathameng.com

Prepared for:

**Bridor Developments**  
996 St-Augustin Road, Unit B  
Embrun, Ontario K0A 1W0

Authored by:	Reviewed by:
	
<p>Guillaume M. Courtois, C.E.T. Senior Technologist, Project Manager</p>	<p>Jeremy Ash, B.Sc.Eng., P.Eng. Director, Manager - Ottawa Office</p>

Disclaimer	Copyright
<p>The information contained in this document is solely for the use of the Client identified on the cover sheet for the purpose for which it has been prepared and Tatham Engineering Limited undertakes no duty to or accepts any responsibility to any third party who may rely upon this document.</p>	<p>This document may not be used for any purpose other than that provided in the contract between the Owner/Client and the Engineer nor may any section or element of this document be removed, reproduced, electronically stored or transmitted in any form without the express written consent of Tatham Engineering Limited.</p>

Issue	Date	Description
1	January 25, 2023	Final Report
2	January 26, 2023	Final Report
3	March 15, 2023	Final Report
4	June 5, 2023	Final Report



# Document Contents

<b>1</b>	<b>Introduction .....</b>	<b>1</b>
<b>2</b>	<b>Site Plan .....</b>	<b>2</b>
<b>3</b>	<b>Stormwater Management .....</b>	<b>3</b>
3.1	Existing Site Drainage Conditions .....	3
3.2	Existing Condition Hydrologic Analysis .....	3
3.3	Proposed Stormwater Management Plan .....	4
3.4	Water Quantity Control .....	5
3.5	Water Quality Control .....	7
<b>4</b>	<b>Sanitary Sewer Design .....</b>	<b>8</b>
4.1	Existing Site Condition .....	8
4.2	Proposed Sanitary Service .....	8
<b>5</b>	<b>Water Supply and Fire Protection .....</b>	<b>9</b>
5.1	Existing Site Condition .....	9
5.2	Domestic Water Demands .....	9
5.3	Proposed Domestic Water Services .....	9
5.4	Fire Protection .....	10
<b>6</b>	<b>Erosion and Sediment Control.....</b>	<b>12</b>
<b>7</b>	<b>Summary.....</b>	<b>13</b>
7.1	Stormwater Management.....	13
7.2	Sanitary Service .....	13
7.3	Water Service .....	13



**Tables**

Table 1: Existing Condition Peak Flow Summary ..... 4  
Table 2: Proposed Condition Peak Flow Summary..... 6  
Table 3: Proposed Dry SWM Facility Operating Characteristics ..... 6  
Table 4: Domestic Water Demands ..... 9  
Table 5: Hydrants Required for Fire Flow ..... 11

**Figures**

Figure 1: Existing Site Location..... 2

**Appendices**

Appendix A: Stormwater Management Calculations  
Appendix B: Sanitary Service Calculations  
Appendix C: Water Supply and Fire Protection Calculations  
Appendix D: Boundary Conditions  
Appendix E: Engineering Drawings  
Appendix F: BL Engineering Site Servicing and SWM Report (May 5, 2022)



# 1 Introduction

Blanchard Letendre Engineering Ltd. (BL Engineering) was originally retained by Bridor Developments (Bridor) to complete site servicing and stormwater management (SWM) designs for the proposed site development located at 2380 and 2396 Cléroux Crescent in Ottawa. In January 2023, Tatham Engineering Limited (Tatham) was retained by Bridor to replace BL Engineering as the Engineer of Record for the project moving forward.

We note that the underground storage chambers that were previously proposed have been replaced with a dry SWM facility. A hydrologic model, Visual Otthymo Version 6.0 (VO6), has also been prepared to replace the rational method calculations previously submitted by BL Engineering, to further refine the SWM quantity control storage volume required. BL Engineering's latest Site Servicing and SWM Report, dated May 5, 2022, is provided in Appendix F for reference.

This report and detailed engineering drawings have been prepared based on the Site Plan prepared by P-Square Concepts and the site survey completed by Stantec Geomatics Ltd.





# 3 Stormwater Management

## 3.1 EXISTING SITE DRAINAGE CONDITIONS

In the existing condition, the majority of the site drains uncontrolled towards the southwest corner where runoff is captured by an existing catchbasin and conveyed south, within a municipal servicing easement, to an existing 375 mm diameter storm sewer on Orient Park Drive, via an existing 300 mm diameter storm sewer located (between 2488 and 2490 Orient Park Drive). The 300 mm diameter storm sewer is stubbed approximately 3 metres within the site. Refer to Drawing C400 for the existing condition site drainage plan.

## 3.2 EXISTING CONDITION HYDROLOGIC ANALYSIS

A Visual OTTHYMO hydrologic model (VO6) scenario was developed to quantify the existing condition peak flows from the site.

The drainage area delineation was determined based on the topographic survey, which was completed in July 2016. Existing condition land uses were established based on our review of online aerial photography and field reconnaissance.

A summary of all hydrologic parameters established for the existing condition hydrologic model has been included in Appendix A.

The geotechnical investigation report identified a layer of reddish-brown silty sand across the site ranging in thickness from approximately 0.3 m to 0.8 m overlying a deep deposit of silty clay. On this basis, a hydrologic soil group 'C' was selected for determining the hydrologic parameters and reflects the predominant silty clay soil underlying the development.

The peak flow for the 5-year storm event was calculated for the 3-hour Chicago, 6-hour Chicago and 24-hour SCS Type II design storms using IDF data derived from Meteorological Services of Canada (MSC) rainfall data taken from the MacDonald-Cartier Airport. Detailed calculations and Visual OTTHYMO modeling output are included in Appendix A with the results summarized below in Table 1.



**Table 1: Existing Condition Peak Flow Summary**

DESIGN STORM	DRAINAGE AREA 101 0.84 ha (m <sup>3</sup> /s)		
	3-hr CHI	6-hr CHI	24-hr SCS Type II
5-Year	0.045	0.051	0.070

### 3.3 PROPOSED STORMWATER MANAGEMENT PLAN

The proposed development will consist of two new 3-storey 40-unit residential apartment buildings with above and underground parking and hard and softscape areas. Blocks A and B will have footprints of 1,193 m<sup>2</sup> and 1,184 m<sup>2</sup> respectively. One drive aisle, with access to Cléroux Crescent and Orient Park Drive, will be shared by both apartment buildings. Since the runoff coefficient will increase in the proposed condition, due to an increase in imperviousness, post-development stormwater quantity control will be implemented. Water quality control is also required.

The SWM design has been developed to follow the existing site topography. As the property naturally drains towards the southwest corner and the Orient Park Drive storm sewer, the proposed SWM plan will also outlet to the existing storm sewer system on Orient Park Drive via the existing 300 mm diameter storm sewer stub. The emergency overland flow route has been designed to convey emergency flows eastward into the Orient Park Drive right of way via the proposed southeast site entrance.

Runoff generated within the proposed development will be directed to and captured by a series of on-site drainage structures and will be conveyed to a private dry SWM facility capable of providing adequate SWM quantity control of runoff, prior to being conveyed to an oil grit separator capable of providing adequate SWM quality control of runoff and discharging to the existing storm sewer on Orient Park Drive. The post-development drainage areas have been delineated according to the proposed grading plan. In order to attenuate post-development peak flow rates to the allowable release rate, runoff will be controlled by an orifice plate flow control installed in DICBMH4 immediately upstream of the OGS, which will restrict the flow rate that is discharged into the municipal storm sewer on Orient Park Drive. By restricting flow, onsite stormwater detention will be provided within the dry SWM facility. The combined controlled and uncontrolled post-development peak flow rate from the site during the 100-year storm event will be reduced to the allowable 5-year pre-development peak flow rate. The proposed SWM facility and OGS are described in further detail in the following sections.





### **3.4 WATER QUANTITY CONTROL**

#### **3.4.1 Dry SWM Facility and Control Structure**

Water quantity control for the site will be provided in a proposed dry SWM facility. Under the proposed condition, 0.71 ha (including the area of the facility) with a combined imperviousness of 66% will drain to the dry SWM facility. The maximum active storage volume provided is 272 m<sup>3</sup> at an active storage depth of 0.85 m. The active storage volume provided is sufficient to attenuate the post-development peak flow rate from the 100-year storm event to the allowable 5-year pre-development peak flow rate.

The dry SWM facility will be fitted with multiple outlet controls which are summarized as follows:

- A storm pond control maintenance hole equipped with a ditch inlet frame and grate (DICBMH4) to protect the orifice control and outlet pipe from damage and to prevent blockages;
- An 80 mm diameter orifice flow control discharging into a 250 mm storm outlet pipe;
- An emergency spillout elevation of 80.45 m located at the southeast site entrance to safely direct emergency storm flows from the dry SWM facility, to Orient Park Drive in case of a storm exceeding the 100-year design storm or in case of a blockage; and
- A minimum 0.3 m of freeboard measured from the top of the active 100-year dry pond storage and the emergency spillout elevation.

The proposed dry SWM facility configuration, outlet structure and emergency spillout are illustrated on Drawing C200 included at the back of this report.

#### **3.4.2 Proposed Condition Hydrologic Analysis**

A VO6 model scenario was developed to quantify the proposed condition peak flow from the site. The peak flow for the 100-year storm event was calculated for the 3-hour Chicago, 6-hour Chicago, and 24-hour SCS Type II design storms using the previously described IDF data.

The drainage area delineation for the contributing lands was completed utilizing the available topographic information combined with the proposed site grading illustrated on Drawing C200. Proposed surface cover and existing soil type were used to establish curve numbers and other hydrologic parameters used in the hydrologic model. Summaries of all hydrologic parameters and stage-storage-discharge tables established for the post development hydrologic model, have been included in Appendix A.

The time to peak values for the individual drainage areas were calculated using either the Bransby Williams and Airport Methods for runoff coefficient “C” values greater than and less than 0.4, respectively.



Peak runoff rates as well as the SWM facility operating characteristics are shown in the tables below and the results of the modelling are included in Appendix A.

**Table 2: Proposed Condition Peak Flow Summary**

DESIGN STORM	DRAINAGE AREAS 201 AND 202 CONTROLLED 0.70 ha (m <sup>3</sup> /s)			DRAINAGE AREAS 203 AND 204 UNCONTROLLED 0.14 ha (m <sup>3</sup> /s)			TOTAL SITE AREA CONTROLLED + UNCONTROLLED 0.84 ha (m <sup>3</sup> /s)		
	3-hr CHI	6-hr CHI	24-hr SCS TYPE II	3-hr CHI	6-hr CHI	24-hr SCS TYPE II	3-hr CHI	6-hr CHI	24-hr SCS TYPE II
5-Year	0.021	0.021	0.021	0.0109	0.011	0.011	0.028	0.032	0.032
100-Year	0.023	0.023	0.023	0.017	0.019	0.025	0.039 (0.045)	0.041 (0.051)	0.047 (0.070)

Notes: - (0.100) refers to existing condition 5-year peak flow rate.

**Table 3: Proposed Dry SWM Facility Operating Characteristics**

DESIGN STORM	SWM FACILITY DISCHARGE (m <sup>3</sup> /s)			SWM FACILITY STORAGE (m <sup>3</sup> )			SWM FACILITY WATER LEVEL (m)		
	3-hr CHI	6-hr CHI	24-hr SCS TYPE II	3-hr CHI	6-hr CHI	24-hr SCS TYPE II	3-hr CHI	6-hr CHI	24-hr SCS TYPE II
5-Year	0.021	0.021	0.021	113	105	105	79.89	79.86	79.86
100-Year	0.023	0.023	0.023	252	258	247	80.25	80.27	80.24

A comparison of the existing and proposed condition peak flow summaries confirms the proposed dry SWM facility will attenuate the post-development peak flow rate from the 100-year storm event to the allowable 5-year pre-development peak flow rate.

### 3.4.3 Roof Drainage

Each proposed building structure consists of a flat roof. Roof drains will be directly connected to the internal storm sewers and controlled by the orifice plate in DICBMH4. The scuppers will provide emergency spill outs in the event of a blockage.



#### **3.4.4 Ramp Drainage**

Runoff from the underground parking ramps will be captured by a trench drain located at the bottom of each ramp and conveyed to an internal storm sewer that is directly connected to the storm outlet from the site.

#### **3.4.5 Foundation Drainage**

Water collected by the building foundation drains will be pumped to the internal storm sewers and routed through the dry LID SWM facility. Based on our review of the geotechnical report and considering the impacts of constructing deep services and the dry LID SWM facility within the site, which will lower the local groundwater elevation, negligible flows from the foundation drain are expected and will not impact the design of either the internal storm sewers or the dry LID SWM facility.

### **3.5 WATER QUALITY CONTROL**

The proposed water quality treatment objective under the proposed condition is to provide MECP enhanced level treatment including 80% TSS removal from on-site runoff.

Water quality control for the development will be provided by a Stormceptor Model EFO4 OGS located immediately downstream of control structure DICBMH4. The unit has been sized to treat a minimum of 90% of annual runoff and provide 80% TSS removal based on a fine particle size distribution. The specified Stormceptor Model EFO4 will provide 84% TSS removal from the contributing drainage areas.

The Stormceptor EFO Sizing Report is included in Appendix A. The above confirms the SWM plan for the site exceeds the City's and the MECP's requirements for enhanced level water quality protection.



## 4 Sanitary Sewer Design

### 4.1 EXISTING SITE CONDITION

Both existing lots within the site are serviced by separate 135mm diameter sanitary services which are connected to the existing 250mm diameter concrete sanitary sewer on Cléroux Crescent. The existing services will be abandoned, grouted, and capped at the property line.

### 4.2 PROPOSED SANITARY SERVICE

The new residential apartment buildings, which include 40 units per building, will each discharge to a 150 mm diameter sanitary service connected to a 200 mm diameter PVC sanitary sewer and discharging to the existing municipal sanitary sewer on Orient Park Drive via the 250 mm diameter sanitary sewer stub located along the south property limit. The proposed building services and sanitary sewer will have a minimum slope of 1.0% for adequate self flushing. A monitoring manhole (SAN MH2) is proposed at the existing 250 mm stub to provide a connection between the new 200 mm service and the existing 250 mm diameter sewer. Refer to drawing C300 – Site Servicing Plan for the proposed sanitary servicing details.

Based on the City of Ottawa Sanitary Design Guidelines, the sanitary peak flows were evaluated as follows; Block A: 0.94 L/s and Block B: 0.94 L/s. As per the City specific design parameters, the sanitary flow was evaluated based on the new building footprint and the total site area for each individual building. The proposed sanitary services were sized to convey the above peak flows and the proposed sanitary sewer was sized to convey the total combined peak flow of 1.89 L/s from both buildings. Refer to Appendix B for the sanitary sewer design calculation and design parameters set by the City of Ottawa.



## 5 Water Supply and Fire Protection

### 5.1 EXISTING SITE CONDITION

Both existing lots located within the site are serviced by separate 19 mm diameter water services which are connected to the existing 305 mm diameter ductile iron watermain on Cléroux Crescent. The existing services will be abandoned and blanked at the main.

There are five municipal fire hydrants within 150 m of the site, on Innes Road, Cléroux Crescent, and Orient Park Drive, which can be used for fire protection for the proposed development. The contributions of the existing nearby fire hydrants toward the proposed development's required fire flow are described in further detail in the sections below.

### 5.2 DOMESTIC WATER DEMANDS

The domestic water demands for the proposed development were calculated based on the City of Ottawa Design Guidelines. An average water demand of 280 L/c/d was utilized and daily and hourly peaking factors of 2.5 and 2.2 respectively were applied. The water demands for the proposed buildings are summarized in Table 4.

**Table 4: Domestic Water Demands**

	BLOCK A	BLOCK B	UNITS
Average Water Demand	17,640	18,032	L/d
Maximum Daily	44,100	45,080	L/d
Maximum Hourly	97,020	99,176	L/d

Refer to Appendix C for the water demand calculations.

### 5.3 PROPOSED DOMESTIC WATER SERVICES

Each new building will be serviced by a separate water connection as was suggested by City reviewers. Both services will be connected to the existing 305 mm diameter ductile iron watermain on Cléroux Crescent. A main line water valve is proposed in close proximity to the north service connection, between the proposed service connections, for isolation purposes during and following construction. Refer to Drawing C300 – Site Servicing Plan for the proposed water service details.



The Fixture Method from Section 7 of the OBC was used to size the new water services. Each building is expected to have a total of 460 fixture units. Assuming all fixtures are being used at the same time, the required water service capacity is 7.38 L/s. As such, a 100 mm diameter PVC DR-18 water service is proposed for each building and shall be confirmed by the mechanical engineer at the building permit phase. The above service capacity does not include allowances for fire fighting, irrigation, etc. Refer to Appendix C for the required water service capacity and sizing calculations.

#### 5.4 FIRE PROTECTION

The required fire flow rate was calculated in accordance with the 2020 Fire Underwriters Survey (FUS). This method is based on the type of building construction and the floor area of the building to be protected while accounting for reductions and surcharges related to combustibility of contents and the presence of a sprinkler system as well as building exposure of surrounding structures. The required fire flow rate is 10,000 L/min for either of the proposed buildings. Refer to Appendix C for the fire flow calculations.

Each building is located within 90 m of a hydrant and therefore are compliant with OBC requirements. Fire flow protection will be provided by the following four existing hydrants, which are within 150 m (uninterrupted path) of the proposed buildings:

- One Class AA blue bonnet hydrant located 25 m from each proposed building (25 m east of Block A and 25 m north of Block B) on the south side of Cléroux Crescent;
- One Class AA blue bonnet hydrant located no further than 120 m from the proposed buildings (74 m northwest of Block A and 120 m northwest of Block B) on the south side of Innes Road;
- One Class AA blue bonnet hydrant located no further than 135 m from the proposed buildings (135 m southeast of Block A and 70 m southeast of Block B) on the south side of Cléroux Crescent; and
- One Class AA blue bonnet hydrant located no further than 140 m from the proposed buildings (140 m east of Block A and 95 m east of Block B) on the south side of Orient Park Drive.

All fire hydrant bonnets are color coded to indicate the available flow at a residual pressure of 150 kPa (20 psi), in accordance with the NFPA 291 Fire Flow Testing and Marking of Hydrants Code. The four existing hydrants near the site consist of blue bonnet hydrants, and as such are Class AA-rated hydrants. As is summarized in Table 5, the required 10,000 L/min fire flow to either of the proposed buildings is available from the four existing hydrants.





**Table 5: Hydrants Required for Fire Flow**

HYDRANT CLASS	DISTANCE TO BUILDING (m) <sup>1</sup>	CONTRIBUTION TO REQUIRED FIRE FLOW (L/min)	NUMBER OF USABLE NEARBY HYDRANTS	MAXIMUM FLOW TO BE CONSIDERED (L/min)	CUMULATIVE MAXIMUM FLOW TO BE CONSIDERED (L/min)
AA	≤ 75	5,700	1	5,700	17,100
AA	> 75 & ≤ 150	3,800	3	11,400	

Notes: 1. Distance of contributing hydrant from the structure, measured in accordance with NFPA 1.

A hydrant flow test is recommended to verify the available fire flow, pressure, and overall fire protection.



## 6 Erosion and Sediment Control

During construction, sediment and erosion controls will be implemented around the site to reduce the potential for any sediment mobilizing off site. The construction and maintenance of erosion and sediment controls must comply with the Ontario Provision Standard Specification OPSS 577. Refer to Drawing C100 - Erosion and Sediment Control for additional details.



# 7 Summary

## 7.1 STORMWATER MANAGEMENT

The stormwater management design for the site will reduce the 100-year post-development peak flow to the allowable 5-year pre-development peak flow rate, thereby meeting the City's requirements. The post-development release rate from the controlled portion of the site will be restricted by an orifice plate flow control located in DICBMH4. The combined 100-year post-development controlled, and uncontrolled peak flow will be reduced below the allowable 5-year pre-development peak flow rate prior to discharging into to the existing municipal storm sewer system on Orient Park Drive via the existing 300 mm diameter storm sewer (located within the municipal easement which extents from the site's south property limit to Orient Park Drive). Stormwater quantity control will be achieved with 272 m<sup>3</sup> of active surface storage in the dry SWM facility. MECP enhanced level stormwater quality control will be provided with a Stormceptor Model EFO4 OGS located immediately downstream of control structure DICBMH4.

## 7.2 SANITARY SERVICE

The estimated combined sanitary flow for the site is 1.89 L/s. The proposed development will be serviced via new 150 mm diameter sanitary building services and a 200 mm diameter sanitary sewer connecting to the existing municipal sanitary sewer system on Orient Park Drive via the existing 250 mm diameter sanitary sewer (located within the municipal easement which extents from the site's south property limit to Orient Park Drive).

## 7.3 WATER SERVICE

Each new building will be serviced with a new 100 mm diameter PVC DR-18 water service connected to the existing 305 mm diameter ductile iron watermain on Cléroux Crescent. The Block A water demands resulted in an average water demand of 17,640 L/d, a maximum daily demand of 44,100 L/d, and a peak hourly demand of 97,020 L/d. The Block B water demands resulted in an average water demand of 18,032 L/d, a maximum daily demand of 45,080 L/d, and a peak hourly demand of 99,176 L/d. The required fire flow rate is 14,000 L/min. A sprinkler system is not proposed in either of the new buildings. There are four fire hydrants surrounding the site that will provide adequate fire protection.



# **Appendix A: Stormwater Management Calculations**

## Visual OTTHYMO Model Parameter Calculations (NasHYD)

### Project Details

Project Number	523650
----------------	--------

### Data Sources

Detailed Soil Survey Reports for Ontario, MTO Drainage Management Manual (1997)
---

### Prepared By

Name	HY
------	----

### Pre-Development Condition

Watershed:	N/A
Catchment ID:	101
Catchment Area (ha):	0.84
Impervious %:	13%

### Average Curve Number (CN), Runoff Coefficient (C) and Initial Abstraction (IA)

Soil Symbol	C												
Soil Series	Clay												
Hydrologic Soils Group	C												
Soil Texture	Clay												
Runoff Coefficient Type	3												
Area (ha)	0.84												
Percentage of Catchment	100%												
Land Cover Category	IA	A (ha)	CN	C	A (ha)	CN	C	A (ha)	CN	C	A (ha)	CN	C
Impervious	2	0.11	98	0.95									
Gravel	3		89	0.44									
Woodland	10		73	0.42									
Pasture/Lawns	5	0.73	79	0.45									
Meadows	8		76	0.44									
Cultivated	7		82	0.60									
Waterbody	12		50	0.05									
Average CN	81.49												
Average C	0.52												
Average IA	4.61												

### Time to Peak Calculations

Max. Catchment Elev. (m):	83.60
Min. Catchment Elev. (m):	76.80
Catchment Length (m):	108
Catchment Slope (%):	6.30%
Method:	Bransby-Williams Formula
Time of Concentration (mins):	4.34

### Summary

Catchment CN:	81.5
Catchment C:	0.52
Catchment IA (mm):	4.61
Time of Concentration (hrs):	0.07
Catchment Time to Peak (hrs):	0.05
Catchment Time Step (mins):	0.58

## Visual OTTHYMO Model Parameter Calculations (NasHYD)

### Project Details

Project Number	523650
----------------	--------

### Data Sources

Detailed Soil Survey Reports for Ontario, MTO Drainage Management Manual (1997)
---

### Prepared By

Name	HY
------	----

### Pre-Development Condition

Watershed:	N/A
Catchment ID:	201
Catchment Area (ha):	0.64
Impervious %:	70%

### Average Curve Number (CN), Runoff Coefficient (C) and Initial Abstraction (IA)

Soil Symbol	C												
Soil Series	Clay												
Hydrologic Soils Group	C												
Soil Texture	Clay												
Runoff Coefficient Type	3												
Area (ha)	0.63												
Percentage of Catchment	98%												
Land Cover Category	IA	A (ha)	CN	C	A (ha)	CN	C	A (ha)	CN	C	A (ha)	CN	C
Impervious	2	0.44	98	0.95									
Gravel	3		89	0.38									
Woodland	10		73	0.35									
Pasture/Lawns	5	0.20	79	0.40									
Meadows	8		76	0.38									
Cultivated	7		82	0.55									
Waterbody	12		50	0.05									
Average CN	93.52												
Average C	0.79												
Average IA	2.98												

### Time to Peak Calculations

Max. Catchment Elev. (m):	83.60
Min. Catchment Elev. (m):	81.00
Catchment Length (m):	80
Catchment Slope (%):	3.25%
Method:	Bransby-Williams Formula
Time of Concentration (mins):	3.77

### Summary

Catchment CN:	92.1
Catchment C:	0.78
Catchment IA (mm):	2.94
Time of Concentration (hrs):	0.06
Catchment Time to Peak (hrs):	0.04
Catchment Time Step (mins):	0.50



## Visual OTTHYMO Model Parameter Calculations (NasHYD)

### Project Details

Project Number	523650
----------------	--------

### Data Sources

Detailed Soil Survey Reports for Ontario, MTO Drainage Management Manual (1997)
---

### Prepared By

Name	HY
------	----

### Pre-Development Condition

Watershed:	N/A
Catchment ID:	202
Catchment Area (ha):	0.07
Impervious %:	38%

### Average Curve Number (CN), Runoff Coefficient (C) and Initial Abstraction (IA)

Soil Symbol	C												
Soil Series	Clay												
Hydrologic Soils Group	C												
Soil Texture	Clay												
Runoff Coefficient Type	3												
Area (ha)	0.08												
Percentage of Catchment	114%												
Land Cover Category	IA	A (ha)	CN	C	A (ha)	CN	C	A (ha)	CN	C	A (ha)	CN	C
Impervious	2	0.03	98	0.95									
Gravel	3		89	0.38									
Woodland	10		73	0.35									
Pasture/Lawns	5	0.05	79	0.40									
Meadows	8		76	0.38									
Cultivated	7		82	0.55									
Waterbody	12		50	0.05									
Average CN	86.13												
Average C	0.61												
Average IA	3.88												

### Time to Peak Calculations

Max. Catchment Elev. (m):	83.20
Min. Catchment Elev. (m):	81.20
Catchment Length (m):	75
Catchment Slope (%):	2.67%
Method:	Bransby-Williams Formula
Time of Concentration (mins):	4.58

### Summary

Catchment CN:	98.4
Catchment C:	0.69
Catchment IA (mm):	4.43
Time of Concentration (hrs):	0.08
Catchment Time to Peak (hrs):	0.05
Catchment Time Step (mins):	0.61

## Visual OTTHYMO Model Parameter Calculations (NasHYD)

### Project Details

Project Number	523650
----------------	--------

### Data Sources

Detailed Soil Survey Reports for Ontario, MTO Drainage Management Manual (1997)
---

### Prepared By

Name	HY
------	----

### Pre-Development Condition

Watershed:	N/A
Catchment ID:	203
Catchment Area (ha):	0.12
Impervious %:	

### Average Curve Number (CN), Runoff Coefficient (C) and Initial Abstraction (IA)

Soil Symbol	C												
Soil Series	Clay												
Hydrologic Soils Group	C												
Soil Texture	Clay												
Runoff Coefficient Type	3												
Area (ha)	0.12												
Percentage of Catchment	100%												
Land Cover Category	IA	A (ha)	CN	C	A (ha)	CN	C	A (ha)	CN	C	A (ha)	CN	C
Impervious	2		98	0.95									
Gravel	3		89	0.44									
Woodland	10		73	0.42									
Pasture/Lawns	5	0.12	79	0.45									
Meadows	8		76	0.44									
Cultivated	7		82	0.60									
Waterbody	12		50	0.05									
Average CN	79.00												
Average C	0.45												
Average IA	5.00												

### Time to Peak Calculations

Max. Catchment Elev. (m):	81.60
Min. Catchment Elev. (m):	76.90
Catchment Length (m):	48
Catchment Slope (%):	9.79%
Method:	Bransby-Williams Formula
Time of Concentration (mins):	2.14

### Summary

Catchment CN:	79.0
Catchment C:	0.45
Catchment IA (mm):	5.00
Time of Concentration (hrs):	0.04
Catchment Time to Peak (hrs):	0.02
Catchment Time Step (mins):	0.29

## Visual OTTHYMO Model Parameter Calculations (NasHYD)

### Project Details

Project Number	523650
----------------	--------

### Data Sources

Detailed Soil Survey Reports for Ontario, MTO Drainage Management Manual (1997)
---

### Prepared By

Name	HY
------	----

### Pre-Development Condition

Watershed:	N/A
Catchment ID:	204
Catchment Area (ha):	0.01
Impervious %:	100%

### Average Curve Number (CN), Runoff Coefficient (C) and Initial Abstraction (IA)

Soil Symbol	C												
Soil Series	Clay												
Hydrologic Soils Group	C												
Soil Texture	Clay												
Runoff Coefficient Type	3												
Area (ha)	0.01												
Percentage of Catchment	100%												
Land Cover Category	IA	A (ha)	CN	C	A (ha)	CN	C	A (ha)	CN	C	A (ha)	CN	C
Impervious	2	0.01	98	0.95									
Gravel	3		89	0.54									
Woodland	10		73	0.52									
Pasture/Lawns	5		79	0.55									
Meadows	8		76	0.54									
Cultivated	7		82	0.70									
Waterbody	12		50	0.05									
Average CN	98.00												
Average C	0.95												
Average IA	2.00												

### Time to Peak Calculations

Max. Catchment Elev. (m):	82.30
Min. Catchment Elev. (m):	79.85
Catchment Length (m):	18
Catchment Slope (%):	13.61%
Method:	Bransby-Williams Formula
Time of Concentration (mins):	0.96

### Summary

Catchment CN:	98.0
Catchment C:	0.95
Catchment IA (mm):	2.00
Time of Concentration (hrs):	0.02
Catchment Time to Peak (hrs):	0.01
Catchment Time Step (mins):	0.13

Project :	2380 & 2396 CLÉROUX CRES
File No.	523650
Date:	Jan-23
Designed By:	HY
Checked By:	GC
Subject:	Dry SWM Facility

## Modified CN\* Calculation

Catchment 101		
100-yr 24hr Rainfall Depth:	111.9	mm
CN (AMC II):	81.5	
CN (AMC III):	91.0	
S:	25.1	
IA:	4.6	
IA*:	5.0	
Q:	86.6	
S*:	25.7	
CN3*:	90.8	
CN2*:	81.1	

Catchment 201		
100-yr 24hr Rainfall Depth:	111.9	mm
CN (AMC II):	92.1	
CN (AMC III):	96.4	
S:	9.5	
IA:	2.9	
IA*:	1.9	
Q:	101.2	
S*:	8.3	
CN3*:	96.8	
CN2*:	93.0	

Catchment 202		
100-yr 24hr Rainfall Depth:	111.9	mm
CN (AMC II):	98.4	
CN (AMC III):	99.3	
S:	1.8	
IA:	4.4	
IA*:	0.4	
Q:	109.8	
S*:	-2.3	
CN3*:	100.9	
CN2*:	102.1	

Catchment 203		
100-yr 24hr Rainfall Depth:	111.9	mm
CN (AMC II):	79.0	
CN (AMC III):	89.6	
S:	29.4	
IA:	5.0	
IA*:	4.4	
Q:	84.4	
S*:	28.4	
CN3*:	89.9	
CN2*:	79.5	

Catchment 204		
100-yr 24hr Rainfall Depth:	111.9	mm
CN (AMC II):	98.0	
CN (AMC III):	99.1	
S:	2.3	
IA:	2.0	
IA*:	0.5	
Q:	109.2	
S*:	0.7	
CN3*:	99.7	
CN2*:	99.4	



Project :	2380 & 2396 CLÉROUX CRES
File No.	523650
Date:	Jan-23
Designed By:	HY
Checked By:	GC
Subject:	Dry SWM Facility Discharge Table

**OUTLET CONTROL**

**Orifice Control**

	Orifice	Pipe
Orifice Size (mm):	80	250
Cross-Sectional Area (sq.m):	0.005027	0.049087
Orifice Coefficient:	0.61	0.80
Invert Elevation (m):	77.40	77.40
Outlet Pipe Size (mm):	250	250

**STAGE DISCHARGE TABLE & CONTROL STRUCTURE CONFIGURATION**

Water Level	80 mm dia. Orifice		250 PVC	Total Discharge	Active Storage
	Head	Discharge	Capacity		
(m)	(m)	(cms)	(cms)	(cms)	(cm)
79.45	2.01	0.019	0.090	0.019	0.0
79.50	2.06	0.019	0.090	0.019	10.5
79.55	2.11	0.020	0.090	0.020	21.6
79.60	2.16	0.020	0.090	0.020	33.3
79.65	2.21	0.020	0.090	0.020	45.6
79.70	2.26	0.020	0.090	0.020	58.6
79.75	2.31	0.021	0.090	0.021	72.3
79.80	2.36	0.021	0.090	0.021	86.7
79.85	2.41	0.021	0.090	0.021	101.8
79.90	2.46	0.021	0.090	0.021	117.6
79.95	2.51	0.022	0.090	0.022	134.2
80.00	2.56	0.022	0.090	0.022	151.5
80.05	2.61	0.022	0.090	0.022	169.6
80.10	2.66	0.022	0.090	0.022	188.5
80.15	2.71	0.022	0.090	0.022	208.2
80.20	2.76	0.023	0.090	0.023	228.7
80.25	2.81	0.023	0.090	0.023	250.1
80.30	2.86	0.023	0.090	0.023	272.4
80.35	2.91	0.023	0.090	0.023	295.5
80.40	2.96	0.023	0.090	0.023	319.5
80.45	3.01	0.024	0.090	0.024	344.4
80.50	3.06	0.024	0.090	0.024	370.3
80.55	3.11	0.024	0.090	0.024	397.1
80.60	3.16	0.024	0.090	0.024	424.9

Proposed Condition (Controlled area)

Design Storm	Dry SWM Facility Operating Characteristics		
	Storage (m <sup>3</sup> )	Total Outflow (m <sup>3</sup> /s)	Water Level (m)
5yr 24hr SCS	105	0.021	79.86
5yr 3hr Chicago	113	0.021	79.89
5yr 6hr Chicago	105	0.021	79.86
100yr 24hr SCS	247	0.023	80.24
100yr 3hr Chicago	252	0.023	80.25
100yr 6hr Chicago	258	0.023	80.27



Project :	2380 & 2396 CLÉROUX CRES
File No.	523650
Date:	Jan-23
Designed By:	HY
Checked By:	GC
Subject:	Dry SWM Facility

Dry SWM Facility

Elevation	Depth	Increasing Area	Accum Area	Volume	Quality Volume	Quantity Volume
(m)	(m)	(m <sup>2</sup> )	(m <sup>2</sup> )	(m <sup>3</sup> )	(m <sup>3</sup> )	(m <sup>3</sup> )
79.45	0.00	0.00	203.65	0.00	0.00	0.00
79.50	0.05	11.97	215.62	10.48	0.00	10.48
79.55	0.10	12.31	227.93	11.09	0.00	21.57
79.60	0.15	12.65	240.59	11.71	0.00	33.28
79.65	0.20	13.00	253.58	12.35	0.00	45.63
79.70	0.25	13.34	266.92	13.01	0.00	58.64
79.75	0.30	13.68	280.60	13.69	0.00	72.33
79.80	0.35	14.02	294.63	14.38	0.00	86.71
79.85	0.40	14.36	308.99	15.09	0.00	101.80
79.90	0.45	14.71	323.69	15.82	0.00	117.61
79.95	0.50	15.05	338.74	16.56	0.00	134.17
80.00	0.55	15.39	354.13	17.32	0.00	151.49
80.05	0.60	15.73	369.86	18.10	0.00	169.59
80.10	0.65	16.07	385.94	18.89	0.00	188.49
80.15	0.70	16.42	402.35	19.71	0.00	208.19
80.20	0.75	16.76	419.11	20.54	0.00	228.73
80.25	0.80	17.10	436.21	21.38	0.00	250.11
80.30	0.85	17.44	453.65	22.24	0.00	272.35
80.35	0.90	17.78	471.43	23.13	0.00	295.48
80.40	0.95	18.12	489.55	24.02	0.00	319.50
80.45	1.00	18.47	508.02	24.94	0.00	344.44
80.50	1.05	18.81	526.83	25.87	0.00	370.31
80.55	1.10	19.15	545.98	26.82	0.00	397.13
80.60	1.15	19.49	565.47	27.78	0.00	424.91





Project: 2380 & 2396 CLÉROUX CRES	Date: Mar-23
File No.: 523650	Designed: HY
Subject: Swale Capacity Calcs.	Checked GC

**West Swale Capacity for Drainage Area 201**

**Swale Characteristics**

Design Storms
100 year flow (m <sup>3</sup> /s)
0.240

<u>Channel Depth</u>	<u>Channel Type</u>	<u>Manning's N</u>	<u>Base Width</u>	<u>Side Slopes</u>	<u>Min. Slope</u>	<u>Total Area</u>	<u>Area Contributing</u>
0.30 m	Grass Ditch	0.035	0.00 m	3H : 1V	2.50%	0.620	0.080

Storm Conditions		Swale Flow Conditions					
Return Period	Peak Flow (m <sup>3</sup> /s)	Flow Depth	Area (m <sup>2</sup> )	WP	R	Q (m <sup>3</sup> /s)	V (m/s)
100-year storm	0.052	0.150	0.07	0.95	0.07	0.052	0.78

**Comments:** Therefore the proposed swale has sufficient capacity to safely convey the 100-year storm.



Project: 2380 & 2396 CLÉROUX CRES	Date: Mar-23
File No.: 523650	Designed: HY
Subject: Swale Capacity Calcs.	Checked GC

**East Swale Capacity for Drainage Area 202**

**Swale Characteristics**

Design Storms
100 year flow (m <sup>3</sup> /s)
0.025

<u>Channel Depth</u>	<u>Channel Type</u>	<u>Manning's N</u>	<u>Base Width</u>	<u>Side Slopes</u>	<u>Min. Slope</u>	<u>Total Area</u>	<u>Area Contributing</u>
0.30 m	Grass Ditch	0.035	0.00 m	3H : 1V	3.50%	0.080	0.040

Storm Conditions		Swale Flow Conditions					
Return Period	Peak Flow (m <sup>3</sup> /s)	Flow Depth	Area (m <sup>2</sup> )	WP	R	Q (m <sup>3</sup> /s)	V (m/s)
100-year storm	0.015	0.100	0.03	0.63	0.05	0.021	0.70
<b>Comments:</b>		Therefore the proposed swale has sufficient capacity to safely convey the 100-year storm.					



File No. 523650  
 Project: Proposed Apartment Buildings  
 Project Address: 2380 & 2396 CLÉROUX CRES  
 Client: Bridor Development

Date: January 23, 2023  
 Designed: HY  
 Checked: GC  
 Drawing Reference: STM-1

**STORM WATER MANAGEMENT DESIGN SHEET**  
**SEWER DESIGN**

LOCATION			AREA (ha)			FLOW					STORM SEWER DATA							
WATERSHED / STREET	From MH	To MH	C = 0.30	C = 0.80	C = 0.95	Indiv. 2.78AC	Accum. 2.78AC	Time of Conc. (min.)	Rainfall Intensity (mm/hr)	Peak Flow Q (l/s)	Pipe Diameter (mm)	Type	Slope (%)	Length (m)	Capacity Full (L/s)	Velocity Full (m/s)	Time of Flow (min.)	Ratio (Q/Q <sub>FULL</sub> )
A1	CB1	CBMH2	0.030	0.000	0.008	0.05	0.05	10.00	104.19	4.83	250	PVC	0.50%	24.0	42.05	0.86	0.47	0.11
A2	CBMH2	CBMH3	0.000	0.000	0.061	0.16	0.21	10.47	101.79	21.06	250	PVC	0.50%	23.5	42.05	0.86	0.46	0.50
A3	ROOF DRAIN	CBMH3	0.000	0.000	0.119	0.31	0.31	10.00	104.19	32.75	250	PVC	4.00%	12.6	118.94	2.42	0.09	0.28
A4	CBMH3	POND	0.000	0.000	0.059	0.16	0.68	10.92	99.55	67.37	375	PVC	0.50%	17.1	123.98	1.12	0.25	0.54
A5	ROOF DRAIN	POND	0.000	0.000	0.118	0.31	0.31	10.00	104.19	32.47	250	PVC	2.00%	4.0	84.10	1.71	0.04	0.39
A6	CB7	CB6	0.043	0.000	0.033	0.12	0.12	10.00	104.19	12.82	250	PVC	0.50%	23.2	42.05	0.86	0.45	0.30
A7	CB6	POND	0.002	0.000	0.012	0.03	0.16	10.45	101.87	15.96	250	PVC	0.50%	19.8	42.05	0.86	0.39	0.38
	POND	OGS	0.000	0.000	0.000	0.00	0.00	0.00	0.00	23.00	250	PVC	2.30%	16.0	90.19	1.84	0.15	0.26
	OGS	CBMH5	0.000	0.000	0.000	0.00	0.00	0.00	0.00	23.00	250	PVC	6.50%	13.0	151.61	3.09	0.07	0.15
A8	EX CB	CBMH5	0.120	0.000	0.000	0.10	0.10	10.00	104.19	10.43	250	PVC	0.50%	16.8	42.05	0.86	0.33	0.25
A9	TTRENCH D	STMMH8	0.000	0.000	0.004	0.01	0.01	10.00	104.19	1.10	250	PVC	2.00%	19.1	84.10	1.71	0.19	0.01
	TRENCH D	TEE	0.000	0.000	0.001	0.00	0.00	10.00	104.19	0.28	250	PVC	4.00%	12.6	118.94	2.42	0.09	0.00
	STMMH8	CBMH5	0.00	0.00	0.00	0.00	0.01	10.19	103.22	1.36	250	PVC	4.80%	64.4	130.29	2.65	0.40	0.01

DESIGN PARAMETERS NOTES

Runoff Coefficient (C)  
 Grass 0.30  
 Gravel 0.80  
 Asphalt / rooftop 0.90

Q = 2.78 AIC, where  
 Q = Peak flow in Litres per second (L/s)  
 A = Area in hectares (ha)  
 I = Rainfall Intensity (mm/hr)  
 C = Runoff Coefficient

Ottawa Macdonald-Cartier International Airport IDF curve  
 $I_s = 998.071 / (T_c + 6.053)^{0.814}$   
 Min. velocity = 0.76 m/s  
 Manning's "n" = 0.013

**File No.** 523650  
**Project:** Proposed Apartment Buildings  
**Project Address:** 2380 & 2396 CLÉROUX CRES  
**Client:** Bridor Development

**Date:** January 23, 2023  
**Designed:** HY  
**Checked:** GC  
**Drawing Reference:** STM-1

**STORM WATER MANAGEMENT DESIGN SHEET**  
**SEWER DESIGN**

LOCATION		MANHOLE INFORMATION					
From MH	To MH	Up Invert (m)	Down Invert (m)	T/G Up Stream (m)	T/G Down Stream	Up Depth obv (m)	Down Depth obv (m)
CB1	CBMH2	79.90	79.78	82.25	82.25	2.10	2.22
CBMH2	CBMH3	79.72	79.60	82.25	82.00	2.28	2.15
CBMH3	POND	79.54	79.45	82.00		2.08	
CB7	CB6	79.52	79.40	80.30	80.35	0.53	0.70
CB6	POND	79.40	79.30	80.35		0.70	
DICBMH4	OGS	77.40	77.04	79.45	80.60	1.80	3.31
OGS	CBMH5	76.89	76.05	80.60	77.20	3.46	0.90
EX CB	CBMH5	75.00	74.97	76.90	77.20	1.65	1.98
TRENCH D	STMMH8	78.98	78.60	79.80	82.33	0.57	3.48
STMMH8	CBMH5	78.54	76.60	82.33	77.20	3.54	0.35

PRE SCS

=====

```

V   V   I   SSSSS  U   U   A   L           (v 6.1.2001)
V   V   I   SS     U   U   A A  L
V   V   I   SS     U   U   AAAAA L
V   V   I   SS     U   U   A   A  L
  VV    I   SSSSS  UUUUU  A   A  LLLLL

```

```

  000  TTTTT  TTTTT  H   H  Y   Y  M   M   000  TM
  0   0   T    T    H   H   Y Y  MM MM  0   0
  0   0   T    T    H   H   Y   M   M  0   0
  000   T    T    H   H   Y   M   M  000

```

Developed and Distributed by Smart City Water Inc  
 Copyright 2007 - 2020 Smart City Water Inc  
 All rights reserved.

\*\*\*\*\* S U M M A R Y O U T P U T \*\*\*\*\*

Input filename: C:\Program Files (x86)\Visual OTTHYMO 6.1\V02\voin.dat

Output filename:

C:\Users\JAsh\AppData\Local\Civica\XH5\e2c2d2be-418b-4c4d-a4c4-d228733f752c\b7c673a3-d93a-420f-bf9f-618013aa73aa\scenari

Summary filename:

C:\Users\JAsh\AppData\Local\Civica\XH5\e2c2d2be-418b-4c4d-a4c4-d228733f752c\b7c673a3-d93a-420f-bf9f-618013aa73aa\scenari

DATE: 03-14-2023

TIME: 01:53:47

USER:

COMMENTS: \_\_\_\_\_

```

*****
** SIMULATION : Run 01           **
*****

```

W/E COMMAND	HYD ID	DT min	AREA ha	' Qpeak ' cms	Tpeak hrs	R.V. mm	R.C.	Qbase cms
-------------	--------	-----------	------------	------------------	--------------	------------	------	--------------

START @ 0.00 hrs

-----

READ STORM 5.0

[ Ptot= 49.09 mm ]

fname :

C:\Users\JAsh\AppData\Local\Temp\32c22fd1-2756-40a4-8db2-313c3547e793\a83aa445-7986-4108-a295-abaadc

remark: Ottawa Macdonald Cartier SCS 24 2yr

\*

\*\* CALIB NASHYD 0101 1 5.0 0.84 0.04 12.00 19.30 0.39 0.000  
[CN=81.5 ]  
[ N = 3.0:Tp 0.17]

\*

=====

V V I SSSSS U U A L (v 6.1.2001)  
V V I SS U U A A L  
V V I SS U U AAAAA L  
V V I SS U U A A L  
WV I SSSSS UUUUU A A LLLLL

000 TTTTT TTTTT H H Y Y M M 000 TM  
O O T T H H Y Y MM MM O O  
O O T T H H Y M M O O  
000 T T H H Y M M 000

Developed and Distributed by Smart City Water Inc  
Copyright 2007 - 2020 Smart City Water Inc  
All rights reserved.

\*\*\*\*\* S U M M A R Y O U T P U T \*\*\*\*\*

Input filename: C:\Program Files (x86)\Visual OTTHYMO 6.1\V02\voin.dat

Output filename:

C:\Users\JAsh\AppData\Local\Civica\XH5\2c2d2be-418b-4c4d-a4c4-d228733f752c\4761ae12-6660-4e1c-9676-d871b8093e32\scenari

Summary filename:

C:\Users\JAsh\AppData\Local\Civica\XH5\2c2d2be-418b-4c4d-a4c4-d228733f752c\4761ae12-6660-4e1c-9676-d871b8093e32\scenari

DATE: 03-14-2023

TIME: 01:53:47

USER:

COMMENTS: \_\_\_\_\_

\*\*\*\*\*  
 \*\* SIMULATION : Run 02 \*\*  
 \*\*\*\*\*

W/E COMMAND	HYD ID	DT min	AREA ha	Qpeak cms	Tpeak hrs	R.V. mm	R.C.	Qbase cms
-------------	--------	-----------	------------	--------------	--------------	------------	------	--------------

START @ 0.00 hrs

-----  
 READ STORM 5.0  
 [ Ptot= 65.91 mm ]  
 fname :

C:\Users\JAsh\AppData\Local\Temp\32c22fd1-2756-40a4-8db2-313c3547e793\5aca6ac2-ef25-4c6b-b023-6eea58

remark: Ottawa Macdonald Cartier SCS 24 5yr

\*  
 \*\* CALIB NASHYD 0101 1 5.0 0.84 0.07 12.00 31.48 0.48 0.000  
 [CN=81.5 ]  
 [ N = 3.0:Tp 0.17 ]  
 \*

=====  
 =====

V	V	I	SSSSS	U	U	A	L				(v 6.1.2001)
V	V	I	SS	U	U	A	A	L			
V	V	I	SS	U	U	A	A	A	A	A	L
V	V	I	SS	U	U	A	A	L			
VV		I	SSSSS	UUUUU		A	A	LLLLL			

000	TTTTT	TTTTT	H	H	Y	Y	M	M	000	TM	
0	0	T	T	H	H	Y	Y	MM	MM	0	0
0	0	T	T	H	H	Y	M	M	0	0	
000	T	T	H	H	Y	M	M	000			

Developed and Distributed by Smart City Water Inc  
 Copyright 2007 - 2020 Smart City Water Inc  
 All rights reserved.

\*\*\*\*\* SUMMARY OUTPUT \*\*\*\*\*

Input filename: C:\Program Files (x86)\Visual OTTHYMO 6.1\V02\voin.dat

Output filename:

C:\Users\JAsh\AppData\Local\Civica\XH5\2c2d2be-418b-4c4d-a4c4-d228733f752c\c92f24e4-8db6-46b0-88af-6f3a6a3a6952\scenari

Summary filename:

C:\Users\JAsh\AppData\Local\Civica\XH5\e2c2d2be-418b-4c4d-a4c4-d228733f752c\c92f24e4-8db6-46b0-88af-6f3a6a3a6952\scenari

DATE: 03-14-2023

TIME: 01:53:47

USER:

COMMENTS: \_\_\_\_\_

\*\*\*\*\*  
\*\* SIMULATION : Run 03 \*\*  
\*\*\*\*\*

W/E COMMAND	HYD ID	DT min	AREA ha	Qpeak cms	Tpeak hrs	R.V. mm	R.C.	Qbase cms
-------------	--------	-----------	------------	--------------	--------------	------------	------	--------------

START @ 0.00 hrs

-----  
READ STORM 5.0  
[ Ptot= 77.00 mm ]  
fname :

C:\Users\JAsh\AppData\Local\Temp\32c22fd1-2756-40a4-8db2-313c3547e793\937e7433-4342-40da-96a5-67c3cd  
remark: Ottawa Macdonald Cartier SCS 24 10yr

\*  
\*\* CALIB NASHYD 0101 1 5.0 0.84 0.09 12.00 40.15 0.52 0.000  
[CN=81.5 ]  
[ N = 3.0:Tp 0.17 ]  
\*

=====

V	V	I	SSSSS	U	U	A	L				(v 6.1.2001)
V	V	I	SS	U	U	A	A	L			
V	V	I	SS	U	U	AAAAA	L				
V	V	I	SS	U	U	A	A	L			
V	V	I	SSSSS	UUUUU	A	A	LLLLL				

000	TTTTT	TTTTT	H	H	Y	Y	M	M	000	TM	
0	0	T	T	H	H	Y	Y	MM	MM	0	0
0	0	T	T	H	H	Y	M	M	0	0	
000	T	T	H	H	Y	M	M	000			

Developed and Distributed by Smart City Water Inc  
Copyright 2007 - 2020 Smart City Water Inc



All rights reserved.

\*\*\*\*\* S U M M A R Y O U T P U T \*\*\*\*\*

Input filename: C:\Program Files (x86)\Visual OTTHYMO 6.1\V02\voin.dat

Output filename:

C:\Users\JAsh\AppData\Local\Civica\XH5\e2c2d2be-418b-4c4d-a4c4-d228733f752c\47b3e90-6d5b-4b5b-a0dd-45c31ff72924\scenari

Summary filename:

C:\Users\JAsh\AppData\Local\Civica\XH5\e2c2d2be-418b-4c4d-a4c4-d228733f752c\47b3e90-6d5b-4b5b-a0dd-45c31ff72924\scenari

DATE: 03-14-2023

TIME: 01:53:47

USER:

COMMENTS: \_\_\_\_\_

\*\*\*\*\*  
\*\* SIMULATION : Run 04 \*\*  
\*\*\*\*\*

W/E COMMAND	HYD ID	DT min	AREA ha	Qpeak cms	Tpeak hrs	R.V. mm	R.C.	Qbase cms
-------------	--------	-----------	------------	--------------	--------------	------------	------	--------------

START @ 0.00 hrs

-----  
READ STORM 5.0  
[ Ptot= 91.08 mm ]  
fname :

C:\Users\JAsh\AppData\Local\Temp\32c22fd1-2756-40a4-8db2-313c3547e793\8677e260-0877-4303-925b-23f854

remark: Ottawa Macdonald Cartier SCS 24 25yr

\*  
\*\* CALIB NASHYD 0101 1 5.0 0.84 0.12 12.00 51.69 0.57 0.000  
[CN=81.5 ]  
[ N = 3.0:Tp 0.17 ]  
\*

=====  
=====

```

V   V   I   SS   U   U   A   A   L
V   V   I   SS   U   U   A   A   A   L
V   V   I   SS   U   U   A   A   L
  VV   I   SSSSS UUUUU A   A   LLLLL

```

```

000   TTTTT   TTTTT   H   H   Y   Y   M   M   000   TM
0   0   T       T       H   H   Y   Y   MM  MM  0   0
0   0   T       T       H   H   Y       M   M  0   0
000   T       T       H   H   Y       M   M   000

```

Developed and Distributed by Smart City Water Inc  
 Copyright 2007 - 2020 Smart City Water Inc  
 All rights reserved.

\*\*\*\*\* S U M M A R Y O U T P U T \*\*\*\*\*

Input filename: C:\Program Files (x86)\Visual OTTHYM0 6.1\V02\voin.dat

Output filename:

C:\Users\JAsh\AppData\Local\Civica\XH5\2c2d2be-418b-4c4d-a4c4-d228733f752c\f68a9a6e-b8dc-491f-bbd5-38b0c62db25c\scenari

Summary filename:

C:\Users\JAsh\AppData\Local\Civica\XH5\2c2d2be-418b-4c4d-a4c4-d228733f752c\f68a9a6e-b8dc-491f-bbd5-38b0c62db25c\scenari

DATE: 03-14-2023

TIME: 01:53:47

USER:

COMMENTS: \_\_\_\_\_

```

*****
** SIMULATION : Run 05          **
*****

```

W/E COMMAND	HYD ID	DT	AREA	Qpeak	Tpeak	R.V.	R.C.	Qbase
		min	ha	cms	hrs	mm		cms

START @ 0.00 hrs

```

-----
READ STORM          5.0
[ Ptot=101.52 mm ]
fname :

```

C:\Users\JAsh\AppData\Local\Temp\32c22fd1-2756-40a4-8db2-313c3547e793\55c88cf1-c07d-4de2-b4c7-fa9ea9

remark: Ottawa Macdonald Cartier SCS 24 50yr

```

*
** CALIB NASHYD      0101  1  5.0   0.84   0.14 12.00  60.54 0.60   0.000
   [CN=81.5          ]
   [ N = 3.0:Tp 0.17]
*

```

```

=====
=====

```

```

V  V  I  SSSSS  U  U  A  L          (v 6.1.2001)
V  V  I  SS    U  U  A  A  L
V  V  I  SS    U  U  AAAAA  L
V  V  I  SS    U  U  A  A  L
  W  I  SSSSS  UUUUU  A  A  LLLLL

```

```

  000  TTTTT  TTTTT  H  H  Y  Y  M  M  000  TM
  0  0  T  T  H  H  Y  Y  MM  MM  0  0
  0  0  T  T  H  H  Y  M  M  0  0
  000  T  T  H  H  Y  M  M  000

```

Developed and Distributed by Smart City Water Inc  
 Copyright 2007 - 2020 Smart City Water Inc  
 All rights reserved.

\*\*\*\*\* S U M M A R Y O U T P U T \*\*\*\*\*

Input filename: C:\Program Files (x86)\Visual OTTHYMO 6.1\V02\voin.dat

Output filename:

C:\Users\JAsh\AppData\Local\Civica\XH5\e2c2d2be-418b-4c4d-a4c4-d228733f752c\f81c5622-08d5-48bf-bca3-1eb71c45cbd7\scenari

Summary filename:

C:\Users\JAsh\AppData\Local\Civica\XH5\e2c2d2be-418b-4c4d-a4c4-d228733f752c\f81c5622-08d5-48bf-bca3-1eb71c45cbd7\scenari

DATE: 03-14-2023

TIME: 01:53:47

USER:

COMMENTS: \_\_\_\_\_

```

*****
** SIMULATION : Run 06          **
*****

```

W/E COMMAND	HYD ID	DT min	AREA ha	Qpeak cms	Tpeak hrs	R.V. mm	R.C.	Qbase cms
-------------	--------	-----------	------------	--------------	--------------	------------	------	--------------

START @ 0.00 hrs

-----  
 READ STORM 5.0

[ Ptot=111.87 mm ]

fname :

C:\Users\JAsh\AppData\Local\Temp\32c22fd1-2756-40a4-8db2-313c3547e793\e20e7578-d439-4ffb-8edc-8fe258

remark: Ottawa Macdonald Cartier SCS 24 100yr

\*

** CALIB NASHYD	0101	1	5.0	0.84	0.16	12.00	69.51	0.62	0.000
[CN=81.5	]								
[ N = 3.0:Tp 0.17]									

\*

FINISH

=====

PRE CHI

=====

```

V   V   I   SSSSS  U   U   A   L           (v 6.1.2001)
V   V   I   SS    U   U   A A  L
V   V   I   SS    U   U   AAAAA L
V   V   I   SS    U   U   A   A  L
  VV    I   SSSSS  UUUUU  A   A  LLLLL

```

```

  000  TTTTT  TTTTT  H   H  Y   Y  M   M  000  TM
  0   0   T    T    H   H  Y Y  MM MM  0   0
  0   0   T    T    H   H  Y   M   M  0   0
  000   T    T    H   H  Y   M   M  000

```

Developed and Distributed by Smart City Water Inc  
 Copyright 2007 - 2020 Smart City Water Inc  
 All rights reserved.

\*\*\*\*\* S U M M A R Y O U T P U T \*\*\*\*\*

Input filename: C:\Program Files (x86)\Visual OTTHYMO 6.1\V02\voin.dat

Output filename:

C:\Users\JAsh\AppData\Local\Civica\XH5\e2c2d2be-418b-4c4d-a4c4-d228733f752c\51d2b20a-c962-46f2-b46d-0bcb89b18572\scenari

Summary filename:

C:\Users\JAsh\AppData\Local\Civica\XH5\e2c2d2be-418b-4c4d-a4c4-d228733f752c\51d2b20a-c962-46f2-b46d-0bcb89b18572\scenari

DATE: 03-14-2023

TIME: 01:49:08

USER:

COMMENTS: \_\_\_\_\_

```

*****
** SIMULATION : Run 01           **
*****

```

W/E COMMAND	HYD ID	DT min	AREA ha	' Qpeak ' cms	Tpeak hrs	R.V. mm	R.C.	Qbase cms
-------------	--------	-----------	------------	------------------	--------------	------------	------	--------------

START @ 0.00 hrs

-----

CHIC STORM 10.0

[ Ptot= 42.51 mm ]

\*

\*\* CALIB NASHYD 0101 1 5.0 0.84 0.05 1.17 14.98 0.35 0.000

[ CN=81.5 ]

[ N = 3.0:Tp 0.17 ]

\*

=====

```

V   V   I   SSSSS U   U   A   L           (v 6.1.2001)
V   V   I   SS   U   U   A A  L
V   V   I   SS   U   U   AAAAA L
V   V   I   SS   U   U   A   A  L
  VV   I   SSSSS UUUUU A   A  LLLLL

```

```

000  TTTTT TTTTT H   H   Y   Y   M   M   000  TM
0   0   T   T   H   H   Y   Y   MM  MM  0   0
0   0   T   T   H   H   Y   M   M   0   0
000  T   T   H   H   Y   M   M   000

```

Developed and Distributed by Smart City Water Inc  
Copyright 2007 - 2020 Smart City Water Inc  
All rights reserved.

\*\*\*\*\* S U M M A R Y O U T P U T \*\*\*\*\*

Input filename: C:\Program Files (x86)\Visual OTTHYMO 6.1\V02\voin.dat

Output filename:

C:\Users\JAsh\AppData\Local\Civica\VH5\e2c2d2be-418b-4c4d-a4c4-d228733f752c\8106252e-7f91-4954-a690-56795e9b7e1d\scenari

Summary filename:

C:\Users\JAsh\AppData\Local\Civica\VH5\e2c2d2be-418b-4c4d-a4c4-d228733f752c\8106252e-7f91-4954-a690-56795e9b7e1d\scenari

DATE: 03-14-2023

TIME: 01:49:08

USER:

COMMENTS: \_\_\_\_\_

```

*****
** SIMULATION : Run 02          **
*****

```

W/E COMMAND	HYD ID	DT min	AREA ha	Qpeak cms	Tpeak hrs	R.V. mm	R.C.	Qbase cms
-------------	--------	-----------	------------	--------------	--------------	------------	------	--------------

START @ 0.00 hrs

-----  
 CHIC STORM 10.0  
 [ Ptot= 49.04 mm ]

\*

** CALIB NASHYD	0101	1	5.0	0.84	0.05	2.17	19.27	0.39	0.000
[CN=81.5									
[ N = 3.0:Tp 0.17]									

\*

FINISH

=====  
 =====

POST SCS

=====

```

V   V   I   SSSSS  U   U   A   L           (v 6.1.2001)
V   V   I   SS     U   U   A A  L
V   V   I   SS     U   U   AAAAA L
V   V   I   SS     U   U   A   A  L
  VV    I   SSSSS  UUUUU  A   A  LLLLL

```

```

  000  TTTTT  TTTTT  H   H  Y   Y  M   M   000  TM
  0   0   T    T    H   H   Y Y  MM MM  0   0
  0   0   T    T    H   H   Y   M   M  0   0
  000   T    T    H   H   Y   M   M  000

```

Developed and Distributed by Smart City Water Inc  
 Copyright 2007 - 2020 Smart City Water Inc  
 All rights reserved.

\*\*\*\*\* S U M M A R Y O U T P U T \*\*\*\*\*

Input filename: C:\Program Files (x86)\Visual OTTHYMO 6.1\V02\voin.dat

Output filename:

C:\Users\hyu\AppData\Local\Civica\XH5\e2c2d2be-418b-4c4d-a4c4-d228733f752c\dead66f3-c7bd-44fa-ab3e-b90bcaf4653d\scenario

Summary filename:

C:\Users\hyu\AppData\Local\Civica\XH5\e2c2d2be-418b-4c4d-a4c4-d228733f752c\dead66f3-c7bd-44fa-ab3e-b90bcaf4653d\scenario

DATE: 06/01/2023

TIME: 09:53:18

USER:

COMMENTS: \_\_\_\_\_

```

*****
** SIMULATION : Run 01           **
*****

```

W/E COMMAND	HYD ID	DT min	AREA ha	' Qpeak ' cms	Tpeak hrs	R.V. mm	R.C.	Qbase cms
-------------	--------	-----------	------------	------------------	--------------	------------	------	--------------

START @ 0.00 hrs

-----



READ STORM 5.0

[ Ptot= 49.09 mm ]

fname :

C:\Users\hyu\AppData\Local\Temp\12248615-8112-417f-91a8-a724e4ef5224\a83aa445-7986-4108-a295-abaadc5

remark: Ottawa Macdonald Cartier SCS 24 2yr

\*

\*\* CALIB NASHYD 0135 1 5.0 0.12 0.01 12.00 17.68 0.36 0.000

[CN=79.5 ]

[ N = 3.0:Tp 0.17 ]

\*

READ STORM 5.0

[ Ptot= 49.09 mm ]

fname :

C:\Users\hyu\AppData\Local\Temp\12248615-8112-417f-91a8-a724e4ef5224\a83aa445-7986-4108-a295-abaadc5

remark: Ottawa Macdonald Cartier SCS 24 2yr

\*

\* CALIB STANDHYD 0139 1 5.0 0.01 0.00 12.00 39.00 0.79 0.000

[I%=99.0:S%= 2.00]

\*

ADD [ 0135+ 0139 ] 0149 3 5.0 0.13 0.01 12.00 19.32 n/a 0.000

\*

READ STORM 5.0

[ Ptot= 49.09 mm ]

fname :

C:\Users\hyu\AppData\Local\Temp\12248615-8112-417f-91a8-a724e4ef5224\a83aa445-7986-4108-a295-abaadc5

remark: Ottawa Macdonald Cartier SCS 24 2yr

\*

\* CALIB STANDHYD 0138 1 5.0 0.07 0.01 12.00 27.26 0.56 0.000

[I%=38.0:S%= 2.00]

\*

READ STORM 5.0

[ Ptot= 49.09 mm ]

fname :

C:\Users\hyu\AppData\Local\Temp\12248615-8112-417f-91a8-a724e4ef5224\a83aa445-7986-4108-a295-abaadc5

remark: Ottawa Macdonald Cartier SCS 24 2yr

\*

\* CALIB STANDHYD 0133 1 5.0 0.64 0.07 12.00 38.88 0.79 0.000

[I%=70.0:S%= 2.00]

\*

ADD [ 0133+ 0138 ] 0134 3 5.0 0.71 0.08 12.00 37.73 n/a 0.000

\*

\*\* Reservoir

```

OUTFLOW:          0136  1  5.0   0.71   0.02 12.17  37.73  n/a   0.000
*
ADD [ 0136+ 0149] 0150  3  5.0   0.84   0.03 12.00  34.88  n/a   0.000
*

```

```

=====
=====

```

```

V  V  I  SSSSS  U  U  A  L          (v 6.1.2001)
V  V  I  SS    U  U  A  A  L
V  V  I  SS    U  U  AAAAA  L
V  V  I  SS    U  U  A  A  L
  W  I  SSSSS  UUUUU  A  A  LLLLL

```

```

000  TTTTT  TTTTT  H  H  Y  Y  M  M  000  TM
0  0  T  T  H  H  Y  Y  MM  MM  0  0
0  0  T  T  H  H  Y  M  M  0  0
000  T  T  H  H  Y  M  M  000

```

Developed and Distributed by Smart City Water Inc  
 Copyright 2007 - 2020 Smart City Water Inc  
 All rights reserved.

\*\*\*\*\* S U M M A R Y O U T P U T \*\*\*\*\*

Input filename: C:\Program Files (x86)\Visual OTTHYMO 6.1\V02\voin.dat

Output filename:

C:\Users\hyu\AppData\Local\Civica\XH5\e2c2d2be-418b-4c4d-a4c4-d228733f752c\3e1f6bf3-ccfb-4f8c-872e-40caa5f9ed93\scenario

Summary filename:

C:\Users\hyu\AppData\Local\Civica\XH5\e2c2d2be-418b-4c4d-a4c4-d228733f752c\3e1f6bf3-ccfb-4f8c-872e-40caa5f9ed93\scenario

DATE: 06/01/2023

TIME: 09:53:18

USER:

COMMENTS: \_\_\_\_\_

```

*****
** SIMULATION : Run 02          **
*****

```

W/E COMMAND	HYD ID	DT min	AREA ha	Qpeak cms	Tpeak hrs	R.V. mm	R.C.	Qbase cms
-------------	--------	-----------	------------	--------------	--------------	------------	------	--------------

START @ 0.00 hrs

-----  
READ STORM 5.0

[ Ptot= 65.91 mm ]

fname :

C:\Users\hyu\AppData\Local\Temp\12248615-8112-417f-91a8-a724e4ef5224\5aca6ac2-ef25-4c6b-b023-6eea581

remark: Ottawa Macdonald Cartier SCS 24 5yr

\*

\*\* CALIB NASHYD 0135 1 5.0 0.12 0.01 12.00 29.24 0.44 0.000

[CN=79.5 ]

[ N = 3.0:Tp 0.17 ]

\*

READ STORM 5.0

[ Ptot= 65.91 mm ]

fname :

C:\Users\hyu\AppData\Local\Temp\12248615-8112-417f-91a8-a724e4ef5224\5aca6ac2-ef25-4c6b-b023-6eea581

remark: Ottawa Macdonald Cartier SCS 24 5yr

\*

\* CALIB STANDHYD 0139 1 5.0 0.01 0.00 12.00 52.71 0.80 0.000

[I%=99.0:S%= 2.00]

\*

ADD [ 0135+ 0139] 0149 3 5.0 0.13 0.01 12.00 31.05 n/a 0.000

\*

READ STORM 5.0

[ Ptot= 65.91 mm ]

fname :

C:\Users\hyu\AppData\Local\Temp\12248615-8112-417f-91a8-a724e4ef5224\5aca6ac2-ef25-4c6b-b023-6eea581

remark: Ottawa Macdonald Cartier SCS 24 5yr

\*

\* CALIB STANDHYD 0138 1 5.0 0.07 0.01 12.00 42.49 0.64 0.000

[I%=38.0:S%= 2.00]

\*

READ STORM 5.0

[ Ptot= 65.91 mm ]

fname :

C:\Users\hyu\AppData\Local\Temp\12248615-8112-417f-91a8-a724e4ef5224\5aca6ac2-ef25-4c6b-b023-6eea581

remark: Ottawa Macdonald Cartier SCS 24 5yr

\*

\* CALIB STANDHYD 0133 1 5.0 0.64 0.10 12.00 54.09 0.82 0.000

[I%=70.0:S%= 2.00]

\*

```

ADD [ 0133+ 0138] 0134 3 5.0 0.71 0.11 12.00 52.95 n/a 0.000
*
** Reservoir
OUTFLOW:          0136 1 5.0 0.71 0.02 12.33 52.94 n/a 0.000
*
ADD [ 0136+ 0149] 0150 3 5.0 0.84 0.03 12.00 49.55 n/a 0.000
*

```

```

=====
=====

```

```

V  V  I  SSSSS  U  U  A  L          (v 6.1.2001)
V  V  I  SS    U  U  A  A  L
V  V  I  SS    U  U  AAAAA  L
V  V  I  SS    U  U  A  A  L
  WV  I  SSSSS  UUUUU  A  A  LLLLL

```

```

000  TTTTT  TTTTT  H  H  Y  Y  M  M  000  TM
0  0  T      T  H  H  Y  Y  MM  MM  0  0
0  0  T      T  H  H  Y  M  M  0  0
000  T      T  H  H  Y  M  M  000

```

Developed and Distributed by Smart City Water Inc  
 Copyright 2007 - 2020 Smart City Water Inc  
 All rights reserved.

\*\*\*\*\* S U M M A R Y O U T P U T \*\*\*\*\*

Input filename: C:\Program Files (x86)\Visual OTTHYMO 6.1\V02\voin.dat

Output filename:

C:\Users\hyu\AppData\Local\Civica\XH5\2c2d2be-418b-4c4d-a4c4-d228733f752c\20983300-3dd2-4350-9aff-ecc9603591ad\scenario

Summary filename:

C:\Users\hyu\AppData\Local\Civica\XH5\2c2d2be-418b-4c4d-a4c4-d228733f752c\20983300-3dd2-4350-9aff-ecc9603591ad\scenario

DATE: 06/01/2023

TIME: 09:53:18

USER:

COMMENTS: \_\_\_\_\_

```

*****
** SIMULATION : Run 03          **
*****

```

W/E COMMAND	HYD ID	DT min	AREA ha	Qpeak cms	Tpeak hrs	R.V. mm	R.C.	Qbase cms
-------------	--------	-----------	------------	--------------	--------------	------------	------	--------------

START @ 0.00 hrs

-----  
READ STORM 5.0

[ Ptot= 77.00 mm ]

fname :

C:\Users\hyu\AppData\Local\Temp\12248615-8112-417f-91a8-a724e4ef5224\937e7433-4342-40da-96a5-67c3cdf

remark: Ottawa Macdonald Cartier SCS 24 10yr

\*

\*\* CALIB NASHYD 0135 1 5.0 0.12 0.01 12.00 37.56 0.49 0.000

[ CN=79.5 ]

[ N = 3.0:Tp 0.17 ]

\*

READ STORM 5.0

[ Ptot= 77.00 mm ]

fname :

C:\Users\hyu\AppData\Local\Temp\12248615-8112-417f-91a8-a724e4ef5224\937e7433-4342-40da-96a5-67c3cdf

remark: Ottawa Macdonald Cartier SCS 24 10yr

\*

\* CALIB STANDHYD 0139 1 5.0 0.01 0.00 12.00 61.78 0.80 0.000

[ I%=99.0:S%= 2.00 ]

\*

ADD [ 0135+ 0139 ] 0149 3 5.0 0.13 0.01 12.00 39.42 n/a 0.000

\*

READ STORM 5.0

[ Ptot= 77.00 mm ]

fname :

C:\Users\hyu\AppData\Local\Temp\12248615-8112-417f-91a8-a724e4ef5224\937e7433-4342-40da-96a5-67c3cdf

remark: Ottawa Macdonald Cartier SCS 24 10yr

\*

\* CALIB STANDHYD 0138 1 5.0 0.07 0.01 12.00 51.81 0.67 0.000

[ I%=38.0:S%= 2.00 ]

\*

READ STORM 5.0

[ Ptot= 77.00 mm ]

fname :

C:\Users\hyu\AppData\Local\Temp\12248615-8112-417f-91a8-a724e4ef5224\937e7433-4342-40da-96a5-67c3cdf

remark: Ottawa Macdonald Cartier SCS 24 10yr

\*



\*\*\*\*\*  
 \*\* SIMULATION : Run 04 \*\*  
 \*\*\*\*\*

W/E COMMAND	HYD ID	DT min	AREA ha	Qpeak cms	Tpeak hrs	R.V. mm	R.C.	Qbase cms
-------------	--------	-----------	------------	--------------	--------------	------------	------	--------------

START @ 0.00 hrs  
 -----

READ STORM 5.0

[ Ptot= 91.08 mm ]

fname :

C:\Users\hyu\AppData\Local\Temp\12248615-8112-417f-91a8-a724e4ef5224\8677e260-0877-4303-925b-23f8544

remark: Ottawa Macdonald Cartier SCS 24 25yr

\*

\*\* CALIB NASHYD 0135 1 5.0 0.12 0.02 12.00 48.70 0.53 0.000

[ CN=79.5 ]

[ N = 3.0:Tp 0.17 ]

\*

READ STORM 5.0

[ Ptot= 91.08 mm ]

fname :

C:\Users\hyu\AppData\Local\Temp\12248615-8112-417f-91a8-a724e4ef5224\8677e260-0877-4303-925b-23f8544

remark: Ottawa Macdonald Cartier SCS 24 25yr

\*

\* CALIB STANDHYD 0139 1 5.0 0.01 0.00 12.00 73.31 0.80 0.000

[ I%=99.0:S%= 2.00 ]

\*

ADD [ 0135+ 0139 ] 0149 3 5.0 0.13 0.02 12.00 50.60 n/a 0.000

\*

READ STORM 5.0

[ Ptot= 91.08 mm ]

fname :

C:\Users\hyu\AppData\Local\Temp\12248615-8112-417f-91a8-a724e4ef5224\8677e260-0877-4303-925b-23f8544

remark: Ottawa Macdonald Cartier SCS 24 25yr

\*

\* CALIB STANDHYD 0138 1 5.0 0.07 0.01 12.00 64.05 0.70 0.000

[ I%=38.0:S%= 2.00 ]

\*

READ STORM 5.0

[ Ptot= 91.08 mm ]

fname :

C:\Users\hyu\AppData\Local\Temp\12248615-8112-417f-91a8-a724e4ef5224\8677e260-0877-4303-925b-23f8544

remark: Ottawa Macdonald Cartier SCS 24 25yr

```

*
* CALIB STANDHYD      0133  1  5.0   0.64   0.15 12.00  77.52 0.85   0.000
  [I%=70.0:S%= 2.00]
*
  ADD [ 0133+ 0138] 0134  3  5.0   0.71   0.16 12.00  76.19 n/a   0.000
*
** Reservoir
  OUTFLOW:           0136  1  5.0   0.71   0.02 12.50  76.18 n/a   0.000
*
  ADD [ 0136+ 0149] 0150  3  5.0   0.84   0.04 12.00  72.22 n/a   0.000
*

```

FINISH

```

=====
=====
=====
=====

```

```

V  V  I  SSSSS  U  U  A  L          (v 6.1.2001)
V  V  I  SS    U  U  A  A  L
V  V  I  SS    U  U  AAAAA L
V  V  I  SS    U  U  A  A  L
  W  I  SSSSS  UUUUU  A  A  LLLLL

```

```

  000  TTTTT  TTTTT  H  H  Y  Y  M  M  000  TM
  0  0  T  T  H  H  Y  Y  MM MM  0  0
  0  0  T  T  H  H  Y  M  M  0  0
  000  T  T  H  H  Y  M  M  000

```

Developed and Distributed by Smart City Water Inc  
 Copyright 2007 - 2020 Smart City Water Inc  
 All rights reserved.

\*\*\*\*\* S U M M A R Y O U T P U T \*\*\*\*\*

Input filename: C:\Program Files (x86)\Visual OTTHYMO 6.1\V02\voin.dat

Output filename:

C:\Users\hyu\AppData\Local\Civica\XH5\e2c2d2be-418b-4c4d-a4c4-d228733f752c\3592b175-6811-4e92-acdf-1c90c60f3294\scenario

Summary filename:

C:\Users\hyu\AppData\Local\Civica\XH5\e2c2d2be-418b-4c4d-a4c4-d228733f752c\3592b175-6811-4e92-acdf-1c90c60f3294\scenario



DATE: 06/01/2023

TIME: 09:53:18

USER:

COMMENTS: \_\_\_\_\_

\*\*\*\*\*  
\*\* SIMULATION : Run 05 \*\*  
\*\*\*\*\*

W/E COMMAND	HYD ID	DT	AREA	Qpeak	Tpeak	R.V.	R.C.	Qbase
		min	ha	cms	hrs	mm		cms

START @ 0.00 hrs

-----

READ STORM 5.0

[ Ptot=101.52 mm ]

fname :

C:\Users\hyu\AppData\Local\Temp\12248615-8112-417f-91a8-a724e4ef5224\55c88cf1-c07d-4de2-b4c7-fa9ea96

remark: Ottawa Macdonald Cartier SCS 24 50yr

\*

** CALIB NASHYD	0135	1	5.0	0.12	0.02	12.00	57.29	0.56	0.000
-----------------	------	---	-----	------	------	-------	-------	------	-------

[ CN=79.5 ]

[ N = 3.0:Tp 0.17 ]

\*

READ STORM 5.0

[ Ptot=101.52 mm ]

fname :

C:\Users\hyu\AppData\Local\Temp\12248615-8112-417f-91a8-a724e4ef5224\55c88cf1-c07d-4de2-b4c7-fa9ea96

remark: Ottawa Macdonald Cartier SCS 24 50yr

\*

* CALIB STANDHYD	0139	1	5.0	0.01	0.00	12.00	81.82	0.81	0.000
------------------	------	---	-----	------	------	-------	-------	------	-------

[ I%=99.0:S%= 2.00 ]

\*

ADD [ 0135+ 0139]	0149	3	5.0	0.13	0.02	12.00	59.17	n/a	0.000
-------------------	------	---	-----	------	------	-------	-------	-----	-------

\*

READ STORM 5.0

[ Ptot=101.52 mm ]

fname :

C:\Users\hyu\AppData\Local\Temp\12248615-8112-417f-91a8-a724e4ef5224\55c88cf1-c07d-4de2-b4c7-fa9ea96

remark: Ottawa Macdonald Cartier SCS 24 50yr

\*

\* CALIB STANDHYD 0138 1 5.0 0.07 0.02 12.00 73.35 0.72 0.000  
 [I%=38.0:S%= 2.00]

\*  
 READ STORM 5.0  
 [ Ptot=101.52 mm ]  
 fname :

C:\Users\hyu\AppData\Local\Temp\12248615-8112-417f-91a8-a724e4ef5224\55c88cf1-c07d-4de2-b4c7-fa9ea96

remark: Ottawa Macdonald Cartier SCS 24 50yr

\*  
 \* CALIB STANDHYD 0133 1 5.0 0.64 0.17 12.00 87.39 0.86 0.000  
 [I%=70.0:S%= 2.00]

\*  
 ADD [ 0133+ 0138] 0134 3 5.0 0.71 0.19 12.00 86.00 n/a 0.000

\*  
 \*\* Reservoir  
 OUTFLOW: 0136 1 5.0 0.71 0.02 12.58 85.99 n/a 0.000

\*  
 ADD [ 0136+ 0149] 0150 3 5.0 0.84 0.04 12.00 81.84 n/a 0.000

\*

=====  
 =====

V V I SSSSS U U A L (v 6.1.2001)  
 V V I SS U U A A L  
 V V I SS U U AAAAA L  
 V V I SS U U A A L  
 VV I SSSSS UUUUU A A LLLLL

000 TTTTT TTTTT H H Y Y M M 000 TM  
 O O T T H H Y Y MM MM O O  
 O O T T H H Y M M O O  
 000 T T H H Y M M 000

Developed and Distributed by Smart City Water Inc  
 Copyright 2007 - 2020 Smart City Water Inc  
 All rights reserved.

\*\*\*\*\* S U M M A R Y O U T P U T \*\*\*\*\*

Input filename: C:\Program Files (x86)\Visual OTTHYMO 6.1\VO2\voin.dat

Output filename:

C:\Users\hyu\AppData\Local\Civica\H5\2c2d2be-418b-4c4d-a4c4-d228733f752c\4fd264b8-2922-458d-bc51-3b763d71b179\scenario

Summary filename:

C:\Users\hyu\AppData\Local\Civica\H5\2c2d2be-418b-4c4d-a4c4-d228733f752c\4fd264b8-

2922-458d-bc51-3b763d71b179\scenario

DATE: 06/01/2023

TIME: 09:53:18

USER:

COMMENTS: \_\_\_\_\_

\*\*\*\*\*  
\*\* SIMULATION : Run 06 \*\*  
\*\*\*\*\*

W/E COMMAND	HYD ID	DT min	AREA ha	Qpeak cms	Tpeak hrs	R.V. mm	R.C.	Qbase cms
-------------	--------	-----------	------------	--------------	--------------	------------	------	--------------

START @ 0.00 hrs

-----

READ STORM 5.0

[ Ptot=111.87 mm ]

fname :

C:\Users\hyu\AppData\Local\Temp\12248615-8112-417f-91a8-a724e4ef5224\20e7578-d439-4ffb-8edc-8fe2588

remark: Ottawa Macdonald Cartier SCS 24 100yr

\*

\*\* CALIB NASHYD 0135 1 5.0 0.12 0.02 12.00 66.02 0.59 0.000

[ CN=79.5 ]

[ N = 3.0:Tp 0.17 ]

\*

READ STORM 5.0

[ Ptot=111.87 mm ]

fname :

C:\Users\hyu\AppData\Local\Temp\12248615-8112-417f-91a8-a724e4ef5224\20e7578-d439-4ffb-8edc-8fe2588

remark: Ottawa Macdonald Cartier SCS 24 100yr

\*

\* CALIB STANDHYD 0139 1 5.0 0.01 0.00 12.00 90.33 0.81 0.000

[ I%=99.0:S%= 2.00 ]

\*

ADD [ 0135+ 0139 ] 0149 3 5.0 0.13 0.02 12.00 67.89 n/a 0.000

\*

READ STORM 5.0

[ Ptot=111.87 mm ]

fname :

C:\Users\hyu\AppData\Local\Temp\12248615-8112-417f-91a8-a724e4ef5224\20e7578-d439-4ffb-8edc-8fe2588

remark: Ottawa Macdonald Cartier SCS 24 100yr

\*

\* CALIB STANDHYD            0138 1 5.0    0.07    0.02 12.00 82.68 0.74    0.000  
[I%=38.0:S%= 2.00]

\*

READ STORM                            5.0  
[ Ptot=111.87 mm ]  
fname :

C:\Users\hyu\AppData\Local\Temp\12248615-8112-417f-91a8-a724e4ef5224\e20e7578-d439-4ffb-8edc-8fe2588

remark: Ottawa Macdonald Cartier SCS 24 100yr

\*

\* CALIB STANDHYD            0133 1 5.0    0.64    0.19 12.00 97.26 0.87    0.000  
[I%=70.0:S%= 2.00]

\*

ADD [ 0133+ 0138] 0134 3 5.0    0.71    0.21 12.00 95.82 n/a    0.000

\*

\*\* Reservoir

OUTFLOW:                            0136 1 5.0    0.71    0.02 12.58 95.81 n/a    0.000

\*

ADD [ 0136+ 0149] 0150 3 5.0    0.84    0.05 12.00 91.49 n/a    0.000

\*

POST CHI

=====

```

V   V   I   SSSSS  U   U   A   L           (v 6.1.2001)
V   V   I   SS     U   U   A A  L
V   V   I   SS     U   U   AAAAA L
V   V   I   SS     U   U   A   A  L
  VV    I   SSSSS  UUUUU  A   A  LLLLL

```

```

  000  TTTTT  TTTTT  H   H  Y   Y  M   M   000  TM
  0   0   T    T    H   H   Y  Y  MM  MM  0   0
  0   0   T    T    H   H   Y    M   M  0   0
  000   T    T    H   H   Y    M   M  000

```

Developed and Distributed by Smart City Water Inc  
 Copyright 2007 - 2020 Smart City Water Inc  
 All rights reserved.

\*\*\*\*\* S U M M A R Y O U T P U T \*\*\*\*\*

Input filename: C:\Program Files (x86)\Visual OTTHYMO 6.1\V02\voin.dat

Output filename:

C:\Users\hyu\AppData\Local\Civica\XH5\e2c2d2be-418b-4c4d-a4c4-d228733f752c\ba4b3151-3434-4d95-884c-1dfe096b7b54\scenario

Summary filename:

C:\Users\hyu\AppData\Local\Civica\XH5\e2c2d2be-418b-4c4d-a4c4-d228733f752c\ba4b3151-3434-4d95-884c-1dfe096b7b54\scenario

DATE: 06/01/2023

TIME: 09:53:27

USER:

COMMENTS: \_\_\_\_\_

```

*****
** SIMULATION : Ottawa 100yr 3hr Chicago **
*****

```

W/E COMMAND	HYD ID	DT min	AREA ha	' Qpeak ' cms	Tpeak hrs	R.V. mm	R.C.	Qbase cms
-------------	--------	-----------	------------	------------------	--------------	------------	------	--------------

START @ 0.00 hrs

-----

```

CHIC STORM                10.0
[ Ptot= 71.66 mm ]
*
* CALIB STANDHYD          0054  1  5.0   0.01   0.00  1.00  70.29  0.98   0.000
[ I%=99.0:S%= 2.00 ]
*
CHIC STORM                10.0
[ Ptot= 71.66 mm ]
*
* CALIB NASHYD            0055  1  5.0   0.12   0.02  1.08  33.50  0.47   0.000
[ CN=79.5                ]
[ N = 3.0:Tp 0.17 ]
*
ADD [ 0054+ 0055 ]      0149  3  5.0   0.13   0.02  1.08  36.33  n/a    0.000
*
CHIC STORM                10.0
[ Ptot= 71.66 mm ]
*
* CALIB STANDHYD          0051  1  5.0   0.64   0.25  1.00  59.40  0.83   0.000
[ I%=70.0:S%= 2.00 ]
*
CHIC STORM                10.0
[ Ptot= 71.66 mm ]
*
* CALIB STANDHYD          0056  1  5.0   0.07   0.02  1.00  47.32  0.66   0.000
[ I%=38.0:S%= 2.00 ]
*
ADD [ 0051+ 0056 ]      0053  3  5.0   0.71   0.27  1.00  58.21  n/a    0.000
*
** Reservoir
OUTFLOW:                  0052  1  5.0   0.71   0.02  1.75  58.20  n/a    0.000
*
ADD [ 0149+ 0052 ]      0150  3  5.0   0.84   0.04  1.17  54.82  n/a    0.000
*

```

```

=====
=====

```

```

V  V  I  SSSSS  U  U  A  L                (v 6.1.2001)
V  V  I  SS    U  U  A  A  L
V  V  I  SS    U  U  AAAAA  L
V  V  I  SS    U  U  A  A  L
  WV  I  SSSSS  UUUUU  A  A  LLLLL

```

```

000  TTTTT  TTTTT  H  H  Y  Y  M  M  000  TM
0  0  T  T  H  H  Y  Y  MM  MM  0  0
0  0  T  T  H  H  Y  M  M  0  0
000  T  T  H  H  Y  M  M  000

```

All rights reserved.

\*\*\*\*\* S U M M A R Y O U T P U T \*\*\*\*\*

Input filename: C:\Program Files (x86)\Visual OTTHYMO 6.1\V02\voin.dat

Output filename:

C:\Users\hyu\AppData\Local\Civica\XH5\e2c2d2be-418b-4c4d-a4c4-d228733f752c\89d27013-c96f-46e4-82e5-cbf43459bb00\scenario

Summary filename:

C:\Users\hyu\AppData\Local\Civica\XH5\e2c2d2be-418b-4c4d-a4c4-d228733f752c\89d27013-c96f-46e4-82e5-cbf43459bb00\scenario

DATE: 06/01/2023

TIME: 09:53:27

USER:

COMMENTS: \_\_\_\_\_

\*\*\*\*\*  
\*\* SIMULATION : Ottawa 100yr 6hr Chicago \*\*  
\*\*\*\*\*

W/E COMMAND	HYD ID	DT min	AREA ha	Qpeak cms	Tpeak hrs	R.V. mm	R.C.	Qbase cms
START @ 0.00 hrs								
-----								
CHIC STORM [ Ptot= 82.32 mm ]		10.0						
* CALIB STANDHYD [ I%=99.0:S%= 2.00 ]	0054	1 5.0	0.01	0.00	2.00	76.84	0.93	0.000
* CHIC STORM [ Ptot= 82.32 mm ]		10.0						
* CALIB NASHYD [ CN=79.5 [ N = 3.0:Tp 0.17 ]	0055	1 5.0	0.12	0.02	2.08	41.71	0.51	0.000
* ADD [ 0054+ 0055 ]	0149	3 5.0	0.13	0.02	2.08	44.41	n/a	0.000
* CHIC STORM [ Ptot= 82.32 mm ]		10.0						

```

*
* CALIB STANDHYD      0051  1  5.0   0.64   0.25  2.00  69.30  0.84   0.000
  [I%=70.0:S%= 2.00]
*
  CHIC STORM          10.0
  [ Ptot= 82.32 mm ]
*
* CALIB STANDHYD      0056  1  5.0   0.07   0.02  2.00  56.43  0.69   0.000
  [I%=38.0:S%= 2.00]
*
  ADD [ 0051+ 0056]  0053  3  5.0   0.71   0.27  2.00  68.03  n/a   0.000
*
** Reservoir
  OUTFLOW:            0052  1  5.0   0.71   0.02  2.75  68.03  n/a   0.000
*
  ADD [ 0149+ 0052]  0150  3  5.0   0.84   0.04  2.08  64.37  n/a   0.000
*

```

```

=====
=====

```

```

V  V  I  SSSSS  U  U  A  L          (v 6.1.2001)
V  V  I  SS    U  U  A  A  L
V  V  I  SS    U  U  AAAAA  L
V  V  I  SS    U  U  A  A  L
  VV  I  SSSSS  UUUUU  A  A  LLLLL

```

```

  000  TTTTT  TTTTT  H  H  Y  Y  M  M  000  TM
  0  0  T  T  H  H  Y  Y  MM  MM  0  0
  0  0  T  T  H  H  Y  M  M  0  0
  000  T  T  H  H  Y  M  M  000

```

Developed and Distributed by Smart City Water Inc  
 Copyright 2007 - 2020 Smart City Water Inc  
 All rights reserved.

\*\*\*\*\* S U M M A R Y O U T P U T \*\*\*\*\*

Input filename: C:\Program Files (x86)\Visual OTTHYM0 6.1\V02\voin.dat

Output filename:

C:\Users\hyu\AppData\Local\Civica\H5\2c2d2be-418b-4c4d-a4c4-d228733f752c\0f30a6d4-6b80-4051-9316-a065cb681355\scenario

Summary filename:

C:\Users\hyu\AppData\Local\Civica\H5\2c2d2be-418b-4c4d-a4c4-d228733f752c\0f30a6d4-6b80-4051-9316-a065cb681355\scenario

DATE: 06/01/2023

TIME: 09:53:27





=====

V V I SSSSS U U A L (v 6.1.2001)  
V V I SS U U A A L  
V V I SS U U AAAAA L  
V V I SS U U A A L  
VV I SSSSS UUUUU A A LLLLL

000 TTTTT TTTTT H H Y Y M M 000 TM  
O O T T H H Y Y MM MM O O  
O O T T H H Y M M O O  
000 T T H H Y M M 000

Developed and Distributed by Smart City Water Inc  
Copyright 2007 - 2020 Smart City Water Inc  
All rights reserved.

\*\*\*\*\* S U M M A R Y O U T P U T \*\*\*\*\*

Input filename: C:\Program Files (x86)\Visual OTTHYMO 6.1\V02\voin.dat

Output filename:  
C:\Users\hyu\AppData\Local\Civica\VH5\e2c2d2be-418b-4c4d-a4c4-d228733f752c\47c7f878-1036-49da-9920-545bcf030f6f\scenario  
Summary filename:  
C:\Users\hyu\AppData\Local\Civica\VH5\e2c2d2be-418b-4c4d-a4c4-d228733f752c\47c7f878-1036-49da-9920-545bcf030f6f\scenario

DATE: 06/01/2023 TIME: 09:53:28

USER:

COMMENTS: \_\_\_\_\_

\*\*\*\*\*  
\*\* SIMULATION : Ottawa 5yr 6hr Chicago \*\*  
\*\*\*\*\*

W/E COMMAND	HYD ID	DT min	AREA ha	Qpeak cms	Tpeak hrs	R.V. mm	R.C.	Qbase cms
-------------	--------	--------	---------	-----------	-----------	---------	------	-----------

START @ 0.00 hrs

-----  
READ STORM 5.0

[ Ptot= 65.91 mm ]

fname :

C:\Users\hyu\AppData\Local\Temp\ef1fc03d-078b-4574-9ae8-73c77ad1d7f6\5aca6ac2-ef25-4c6b-b023-6eea581

remark: Ottawa Macdonald Cartier SCS 24 5yr

\*  
\* CALIB STANDHYD           0054 1 5.0    0.01    0.00 12.00  52.71 0.80    0.000  
  [I%=99.0:S%= 2.00]

\*  
  READ STORM                           5.0  
  [ Ptot= 65.91 mm ]

fname :

C:\Users\hyu\AppData\Local\Temp\ef1fc03d-078b-4574-9ae8-73c77ad1d7f6\5aca6ac2-ef25-4c6b-b023-6eea581

remark: Ottawa Macdonald Cartier SCS 24 5yr

\*  
\* CALIB NASHYD            0055 1 5.0    0.12    0.01 12.00  29.24 0.44    0.000  
  [CN=79.5                ]  
  [ N = 3.0:Tp 0.17]

\*  
  ADD [ 0054+ 0055] 0149 3 5.0    0.13    0.01 12.00  31.05 n/a    0.000

\*  
  READ STORM                           5.0  
  [ Ptot= 65.91 mm ]

fname :

C:\Users\hyu\AppData\Local\Temp\ef1fc03d-078b-4574-9ae8-73c77ad1d7f6\5aca6ac2-ef25-4c6b-b023-6eea581

remark: Ottawa Macdonald Cartier SCS 24 5yr

\*  
\* CALIB STANDHYD           0051 1 5.0    0.64    0.10 12.00  54.09 0.82    0.000  
  [I%=70.0:S%= 2.00]

\*  
  READ STORM                           5.0  
  [ Ptot= 65.91 mm ]

fname :

C:\Users\hyu\AppData\Local\Temp\ef1fc03d-078b-4574-9ae8-73c77ad1d7f6\5aca6ac2-ef25-4c6b-b023-6eea581

remark: Ottawa Macdonald Cartier SCS 24 5yr

\*  
\* CALIB STANDHYD           0056 1 5.0    0.07    0.01 12.00  42.49 0.64    0.000  
  [I%=38.0:S%= 2.00]

\*  
  ADD [ 0051+ 0056] 0053 3 5.0    0.71    0.11 12.00  52.95 n/a    0.000

\*  
\*\* Reservoir  
  OUTFLOW:                           0052 1 5.0    0.71    0.02 12.33  52.94 n/a    0.000

# Stormceptor<sup>®</sup> EF Sizing Report

## STORMCEPTOR<sup>®</sup> ESTIMATED NET ANNUAL SEDIMENT (TSS) LOAD REDUCTION

06/01/2023

Province:	Ontario
City:	Ottawa
Nearest Rainfall Station:	OTTAWA CDA RCS
Climate Station Id:	6105978
Years of Rainfall Data:	20

Project Name:	2380 & 2396 Cleroux Cres
Project Number:	523650
Designer Name:	Guillaume Courtois
Designer Company:	Tatham Engineering
Designer Email:	gcourtois@tathameng.com
Designer Phone:	613-747-3636
EOR Name:	
EOR Company:	
EOR Email:	
EOR Phone:	

Site Name:	
------------	--

Drainage Area (ha):	0.71
% Imperviousness:	66.00

Runoff Coefficient 'c': 0.69

Particle Size Distribution:	Fine
Target TSS Removal (%):	80.0

Required Water Quality Runoff Volume Capture (%):	90.00
Estimated Water Quality Flow Rate (L/s):	15.95
Oil / Fuel Spill Risk Site?	Yes
Upstream Flow Control?	Yes
Upstream Orifice Control Flow Rate to Stormceptor (L/s):	21.00
Peak Conveyance (maximum) Flow Rate (L/s):	
Site Sediment Transport Rate (kg/ha/yr):	

### Net Annual Sediment (TSS) Load Reduction Sizing Summary

Stormceptor Model	TSS Removal Provided (%)
EFO4	84
EFO6	92
EFO8	96
EFO10	98
EFO12	100

**Recommended Stormceptor EFO Model: EFO4**  
**Estimated Net Annual Sediment (TSS) Load Reduction (%): 84**  
**Water Quality Runoff Volume Capture (%): > 90**

## Stormceptor® EF Sizing Report

### THIRD-PARTY TESTING AND VERIFICATION

► **Stormceptor® EF and Stormceptor® EFO** are the latest evolutions in the Stormceptor® oil-grit separator (OGS) technology series, and are designed to remove a wide variety of pollutants from stormwater and snowmelt runoff. These technologies have been third-party tested in accordance with the Canadian ETV **Procedure for Laboratory Testing of Oil-Grit Separators** and performance has been third-party verified in accordance with the **ISO 14034 Environmental Technology Verification (ETV)** protocol.

### PERFORMANCE

► **Stormceptor® EF and EFO** remove stormwater pollutants through gravity separation and floatation, and feature a patent-pending design that generates positive removal of total suspended solids (TSS) throughout each storm event, including high-intensity storms. Captured pollutants include sediment, free oils, and sediment-bound pollutants such as nutrients, heavy metals, and petroleum hydrocarbons. Stormceptor is sized to remove a high level of TSS from the frequent rainfall events that contribute the vast majority of annual runoff volume and pollutant load. The technology incorporates an internal bypass to convey excessive stormwater flows from high-intensity storms through the device without resuspension and washout (scour) of previously captured pollutants. Proper routine maintenance ensures high pollutant removal performance and protection of downstream waterways.

### PARTICLE SIZE DISTRIBUTION (PSD)

► The **Canadian ETV PSD** shown in the table below was used, or in part, for this sizing. This is the identical PSD that is referenced in the Canadian ETV **Procedure for Laboratory Testing of Oil-Grit Separators** for both sediment removal testing and scour testing. The Canadian ETV PSD contains a wide range of particle sizes in the sand and silt fractions, and is considered reasonably representative of the particle size fractions found in typical urban stormwater runoff.

Particle Size (µm)	Percent Less Than	Particle Size Fraction (µm)	Percent
1000	100	500-1000	5
500	95	250-500	5
250	90	150-250	15
150	75	100-150	15
100	60	75-100	10
75	50	50-75	5
50	45	20-50	10
20	35	8-20	15
8	20	5-8	10
5	10	2-5	5
2	5	<2	5



## Stormceptor<sup>®</sup> EF Sizing Report

### Upstream Flow Controlled Results

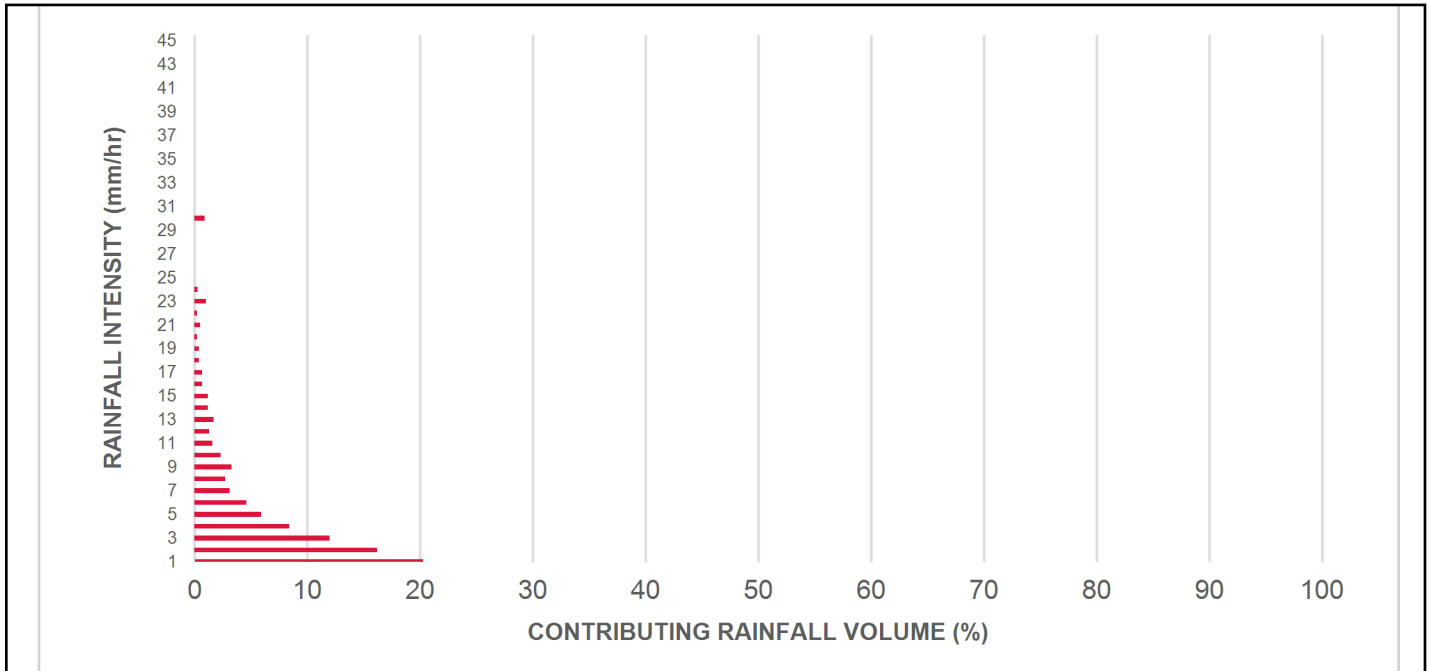
Rainfall Intensity (mm / hr)	Percent Rainfall Volume (%)	Cumulative Rainfall Volume (%)	Flow Rate (L/s)	Flow Rate (L/min)	Surface Loading Rate (L/min/m <sup>2</sup> )	Removal Efficiency (%)	Incremental Removal (%)	Cumulative Removal (%)
0.5	8.6	8.6	0.69	41.0	34.0	100	8.6	8.6
1	20.3	29.0	1.37	82.0	69.0	100	20.3	29.0
2	16.2	45.2	2.75	165.0	137.0	92	14.9	43.9
3	12.0	57.2	4.12	247.0	206.0	83	10.0	53.9
4	8.4	65.6	5.50	330.0	275.0	80	6.7	60.6
5	5.9	71.6	6.87	412.0	343.0	77	4.6	65.2
6	4.6	76.2	8.24	495.0	412.0	73	3.4	68.6
7	3.1	79.3	9.62	577.0	481.0	70	2.1	70.7
8	2.7	82.0	10.99	659.0	550.0	67	1.8	72.5
9	3.3	85.3	12.36	742.0	618.0	65	2.2	74.7
10	2.3	87.6	13.74	824.0	687.0	64	1.5	76.2
11	1.6	89.2	15.11	907.0	756.0	63	1.0	77.2
12	1.3	90.5	16.49	989.0	824.0	63	0.8	78.0
13	1.7	92.2	17.86	1072.0	893.0	62	1.1	79.1
14	1.2	93.5	19.23	1154.0	962.0	62	0.8	79.8
15	6.5	100.0	20.61	1236.0	1030.0	61	4.0	83.8
16	0.0	100.0	21.00	1260.0	1050.0	60	0.0	83.8
17	0.0	100.0	21.00	1260.0	1050.0	60	0.0	83.8
18	0.0	100.0	21.00	1260.0	1050.0	60	0.0	83.8
19	0.0	100.0	21.00	1260.0	1050.0	60	0.0	83.8
20	0.0	100.0	21.00	1260.0	1050.0	60	0.0	83.8
21	0.0	100.0	21.00	1260.0	1050.0	60	0.0	83.8
22	0.0	100.0	21.00	1260.0	1050.0	60	0.0	83.8
23	0.0	100.0	21.00	1260.0	1050.0	60	0.0	83.8
24	0.0	100.0	21.00	1260.0	1050.0	60	0.0	83.8
25	0.0	100.0	21.00	1260.0	1050.0	60	0.0	83.8
30	0.0	100.0	21.00	1260.0	1050.0	60	0.0	83.8
35	0.0	100.0	21.00	1260.0	1050.0	60	0.0	83.8
40	0.0	100.0	21.00	1260.0	1050.0	60	0.0	83.8
45	0.0	100.0	21.00	1260.0	1050.0	60	0.0	83.8
<b>Estimated Net Annual Sediment (TSS) Load Reduction =</b>								<b>84 %</b>

Climate Station ID: 6105978 Years of Rainfall Data: 20

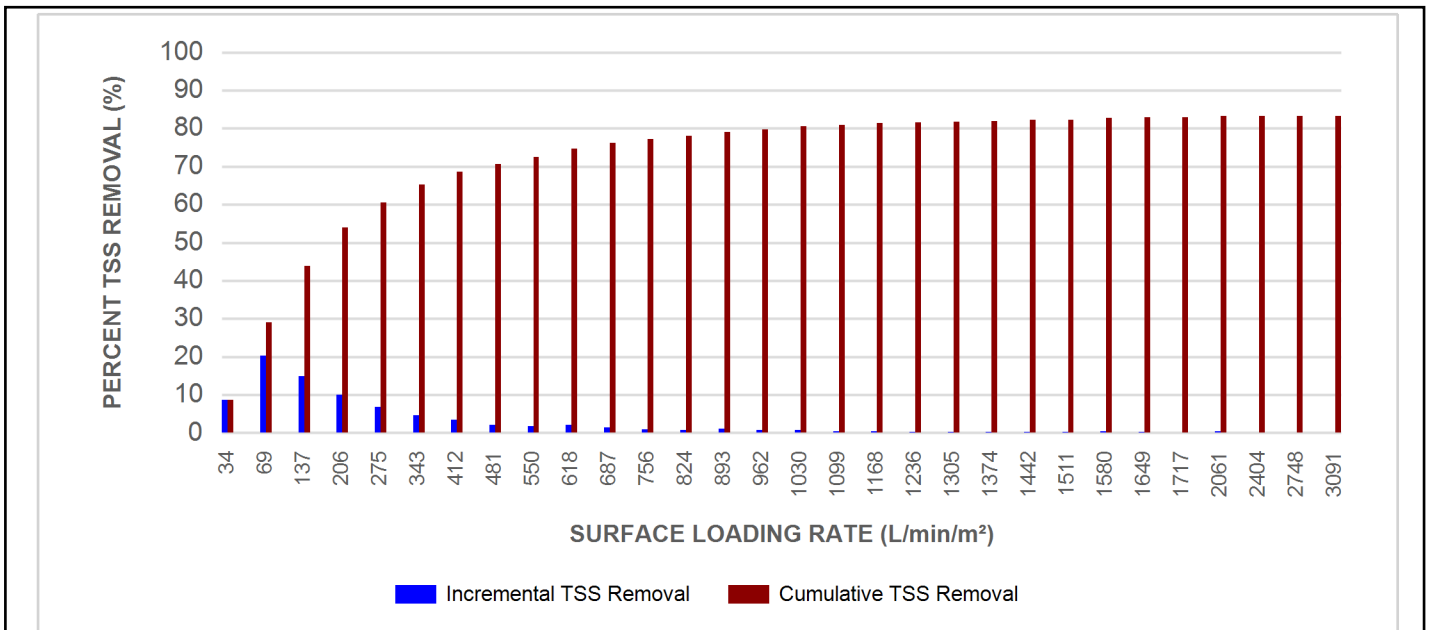


## Stormceptor<sup>®</sup> EF Sizing Report

### RAINFALL DATA FROM OTTAWA CDA RCS RAINFALL STATION



### INCREMENTAL AND CUMULATIVE TSS REMOVAL FOR THE RECOMMENDED STORMCEPTOR<sup>®</sup> MODEL



## Stormceptor® EF Sizing Report

### Maximum Pipe Diameter / Peak Conveyance

Stormceptor EF / EFO	Model Diameter		Min Angle Inlet / Outlet Pipes	Max Inlet Pipe Diameter		Max Outlet Pipe Diameter		Peak Conveyance Flow Rate	
	(m)	(ft)		(mm)	(in)	(mm)	(in)	(L/s)	(cfs)
EF4 / EFO4	1.2	4	90	609	24	609	24	425	15
EF6 / EFO6	1.8	6	90	914	36	914	36	990	35
EF8 / EFO8	2.4	8	90	1219	48	1219	48	1700	60
EF10 / EFO10	3.0	10	90	1828	72	1828	72	2830	100
EF12 / EFO12	3.6	12	90	1828	72	1828	72	2830	100

### SCOUR PREVENTION AND ONLINE CONFIGURATION

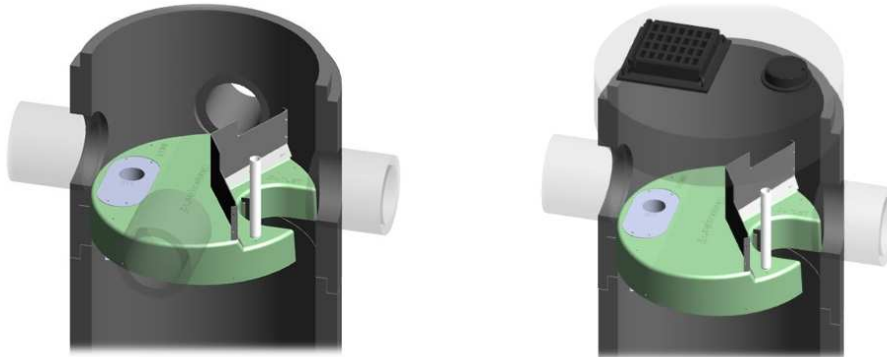
► Stormceptor® EF and EFO feature an internal bypass and superior scour prevention technology that have been demonstrated in third-party testing according to the scour testing provisions of the Canadian ETV **Procedure for Laboratory Testing of Oil-Grit Separators**, and the exceptional scour test performance has been third-party verified in accordance with the ISO 14034 ETV protocol. As a result, Stormceptor EF and EFO are approved for online installation, eliminating the need for costly additional bypass structures, piping, and installation expense.

### DESIGN FLEXIBILITY

► Stormceptor® EF and EFO offers design flexibility in one simplified platform, accepting stormwater flow from a single inlet pipe or multiple inlet pipes, and/or surface runoff through an inlet grate. The device can also serve as a junction structure, accommodate a 90-degree inlet-to-outlet bend angle, and can be modified to ensure performance in submerged conditions.

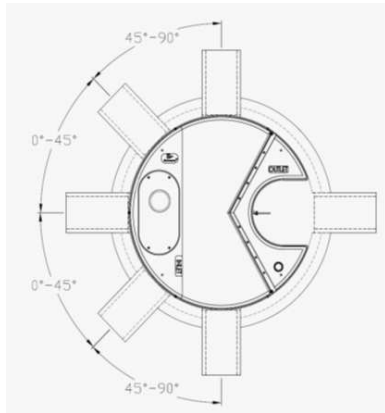
### OIL CAPTURE AND RETENTION

► While Stormceptor® EF will capture and retain oil from dry weather spills and low intensity runoff, Stormceptor® EFO has demonstrated superior oil capture and greater than 99% oil retention in third-party testing according to the light liquid re-entrainment testing provisions of the Canadian ETV **Procedure for Laboratory Testing of Oil-Grit Separators**. Stormceptor EFO is recommended for sites where oil capture and retention is a requirement.





## Stormceptor<sup>®</sup> EF Sizing Report



### INLET-TO-OUTLET DROP

Elevation differential between inlet and outlet pipe inverts is dictated by the angle at which the inlet pipe(s) enters the unit.

0° - 45° : The inlet pipe is 1-inch (25mm) higher than the outlet pipe.

45° - 90° : The inlet pipe is 2-inches (50mm) higher than the outlet pipe.

### HEAD LOSS

The head loss through Stormceptor EF is similar to that of a 60-degree bend structure. The applicable K value for calculating minor losses through the unit is 1.1.

For submerged conditions the applicable K value is 3.0.

### Pollutant Capacity

Stormceptor EF / EFO	Model Diameter		Depth (Outlet Pipe Invert to Sump Floor)		Oil Volume		Recommended Sediment Maintenance Depth *		Maximum Sediment Volume *		Maximum Sediment Mass **	
	(m)	(ft)	(m)	(ft)	(L)	(Gal)	(mm)	(in)	(L)	(ft <sup>3</sup> )	(kg)	(lb)
EF4 / EFO4	1.2	4	1.52	5.0	265	70	203	8	1190	42	1904	5250
EF6 / EFO6	1.8	6	1.93	6.3	610	160	305	12	3470	123	5552	15375
EF8 / EFO8	2.4	8	2.59	8.5	1070	280	610	24	8780	310	14048	38750
EF10 / EFO10	3.0	10	3.25	10.7	1670	440	610	24	17790	628	28464	78500
EF12 / EFO12	3.6	12	3.89	12.8	2475	655	610	24	31220	1103	49952	137875

\*Increased sump depth may be added to increase sediment storage capacity

\*\* Average density of wet packed sediment in sump = 1.6 kg/L (100 lb/ft<sup>3</sup>)

Feature	Benefit	Feature Appeals To
Patent-pending enhanced flow treatment and scour prevention technology	Superior, verified third-party performance	Regulator, Specifying & Design Engineer
Third-party verified light liquid capture and retention for EFO version	Proven performance for fuel/oil hotspot locations	Regulator, Specifying & Design Engineer, Site Owner
Functions as bend, junction or inlet structure	Design flexibility	Specifying & Design Engineer
Minimal drop between inlet and outlet	Site installation ease	Contractor
Large diameter outlet riser for inspection and maintenance	Easy maintenance access from grade	Maintenance Contractor & Site Owner

### STANDARD STORMCEPTOR EF/EFO DRAWINGS

For standard details, please visit <http://www.imbriumsystems.com/stormwater-treatment-solutions/stormceptor-ef>

### STANDARD STORMCEPTOR EF/EFO SPECIFICATION

For specifications, please visit <http://www.imbriumsystems.com/stormwater-treatment-solutions/stormceptor-ef>

## Stormceptor<sup>®</sup> EF Sizing Report

# STANDARD PERFORMANCE SPECIFICATION FOR “OIL GRIT SEPARATOR” (OGS) STORMWATER QUALITY TREATMENT DEVICE

## PART 1 – GENERAL

### 1.1 WORK INCLUDED

This section specifies requirements for selecting, sizing, and designing an underground Oil Grit Separator (OGS) device for stormwater quality treatment, with third-party testing results and a Statement of Verification in accordance with ISO 14034 Environmental Management – Environmental Technology Verification (ETV).

### 1.2 REFERENCE STANDARDS & PROCEDURES

ISO 14034:2016 Environmental management – Environmental technology verification (ETV)

Canadian Environmental Technology Verification (ETV) Program’s **Procedure for Laboratory Testing of Oil-Grit Separators**

### 1.3 SUBMITTALS

1.3.1 All submittals, including sizing reports & shop drawings, shall be submitted upon request with each order to the contractor then forwarded to the Engineer of Record for review and acceptance. Shop drawings shall detail all OGS components, elevations, and sequence of construction.

1.3.2 Alternative devices shall have features identical to or greater than the specified device, including: treatment chamber diameter, treatment chamber wet volume, sediment storage volume, and oil storage volume.

1.3.3 Unless directed otherwise by the Engineer of Record, OGS stormwater quality treatment product substitutions or alternatives submitted within ten days prior to project bid shall not be accepted. All alternatives or substitutions submitted shall be signed and sealed by a local registered Professional Engineer, based on the exact same criteria detailed in Section 3, in entirety, subject to review and approval by the Engineer of Record.

## PART 2 – PRODUCTS

### 2.1 OGS POLLUTANT STORAGE

The OGS device shall include a sump for sediment storage, and a protected volume for the capture and storage of petroleum hydrocarbons and buoyant gross pollutants. The minimum sediment & petroleum hydrocarbon storage capacity shall be as follows:

2.1.1	4 ft (1219 mm) Diameter OGS Units:	1.19 m <sup>3</sup> sediment / 265 L oil
	6 ft (1829 mm) Diameter OGS Units:	3.48 m <sup>3</sup> sediment / 609 L oil
	8 ft (2438 mm) Diameter OGS Units:	8.78 m <sup>3</sup> sediment / 1,071 L oil
	10 ft (3048 mm) Diameter OGS Units:	17.78 m <sup>3</sup> sediment / 1,673 L oil
	12 ft (3657 mm) Diameter OGS Units:	31.23 m <sup>3</sup> sediment / 2,476 L oil

## PART 3 – PERFORMANCE & DESIGN

### 3.1 GENERAL

The OGS stormwater quality treatment device shall be verified in accordance with ISO 14034:2016 Environmental management – Environmental technology verification (ETV). The OGS stormwater quality treatment device shall



## Stormceptor<sup>®</sup> EF Sizing Report

remove oil, sediment and gross pollutants from stormwater runoff during frequent wet weather events, and retain these pollutants during less frequent high flow wet weather events below the insert within the OGS for later removal during maintenance. The Manufacturer shall have at least ten (10) years of local experience, history and success in engineering design, manufacturing and production and supply of OGS stormwater quality treatment device systems, acceptable to the Engineer of Record.

### 3.2 SIZING METHODOLOGY

The OGS device shall be engineered, designed and sized to provide stormwater quality treatment based on treating a minimum of 90 percent of the average annual runoff volume and a minimum removal of an annual average 60% of the sediment (TSS) load based on the Particle Size Distribution (PSD) specified in the sizing report for the specified device. Sizing of the OGS shall be determined by use of a minimum ten (10) years of local historical rainfall data provided by Environment Canada. Sizing shall also be determined by use of the sediment removal performance data derived from the ISO 14034 ETV third-party verified laboratory testing data from testing conducted in accordance with the Canadian ETV protocol Procedure for Laboratory Testing of Oil-Grit Separators, as follows:

3.2.1 Sediment removal efficiency for a given surface loading rate and its associated flow rate shall be based on sediment removal efficiency demonstrated at the seven (7) tested surface loading rates specified in the protocol, ranging 40 L/min/m<sup>2</sup> to 1400 L/min/m<sup>2</sup>, and as stated in the ISO 14034 ETV Verification Statement for the OGS device.

3.2.2 Sediment removal efficiency for surface loading rates between 40 L/min/m<sup>2</sup> and 1400 L/min/m<sup>2</sup> shall be based on linear interpolation of data between consecutive tested surface loading rates.

3.2.3 Sediment removal efficiency for surface loading rates less than the lowest tested surface loading rate of 40 L/min/m<sup>2</sup> shall be assumed to be identical to the sediment removal efficiency at 40 L/min/m<sup>2</sup>. No extrapolation shall be allowed that results in a sediment removal efficiency that is greater than that demonstrated at 40 L/min/m<sup>2</sup>.

3.2.4 Sediment removal efficiency for surface loading rates greater than the highest tested surface loading rate of 1400 L/min/m<sup>2</sup> shall assume zero sediment removal for the portion of flow that exceeds 1400 L/min/m<sup>2</sup>, and shall be calculated using a simple proportioning formula, with 1400 L/min/m<sup>2</sup> in the numerator and the higher surface loading rate in the denominator, and multiplying the resulting fraction times the sediment removal efficiency at 1400 L/min/m<sup>2</sup>.

The OGS device shall also have sufficient annual sediment storage capacity as specified and calculated in Section 2.1.

### 3.3 CANADIAN ETV or ISO 14034 ETV VERIFICATION OF SCOUR TESTING

The OGS device shall have Canadian ETV or ISO 14034 ETV Verification of third-party scour testing conducted in accordance with the Canadian ETV Program's **Procedure for Laboratory Testing of Oil-Grit Separators**.

3.3.1 To be acceptable for on-line installation, the OGS device must demonstrate an average scour test effluent concentration less than 10 mg/L at each surface loading rate tested, up to and including 2600 L/min/m<sup>2</sup>.

### 3.4 LIGHT LIQUID RE-ENTRAINMENT SIMULATION TESTING

The OGS device shall have Canadian ETV or ISO 14034 ETV Verification of completed third-party Light Liquid Re-entrainment Simulation Testing in accordance with the Canadian ETV **Program's Procedure for Laboratory Testing of Oil-Grit Separators**, with results reported within the Canadian ETV or ISO 14034 ETV verification. This re-entrainment testing is conducted with the device pre-loaded with low density polyethylene (LDPE) plastic beads as a surrogate for light liquids such as oil and fuel. Testing is conducted on the same OGS unit tested for sediment removal to

## Stormceptor<sup>®</sup> EF Sizing Report

assess whether light liquids captured after a spill are effectively retained at high flow rates.

3.4.1 For an OGS device to be an acceptable stormwater treatment device on a site where vehicular traffic occurs and the potential for an oil or fuel spill exists, the OGS device must have reported verified performance results of greater than 99% cumulative retention of LDPE plastic beads for the five specified surface loading rates (ranging 200 L/min/m<sup>2</sup> to 2600 L/min/m<sup>2</sup>) in accordance with the Light Liquid Re-entrainment Simulation Testing within the Canadian ETV Program's **Procedure for Laboratory Testing of Oil-Grit Separators**. However, an OGS device shall not be allowed if the Light Liquid Re-entrainment Simulation Testing was performed with screening components within the OGS device that are effective at retaining the LDPE plastic beads, but would not be expected to retain light liquids such as oil and fuel.

\*

ADD [ 0149+ 0052] 0150 3 5.0 0.84 0.03 12.00 49.55 n/a 0.000

\*

FINISH

=====  
=====

## **Appendix B: Sanitary Service Calculations**

**File No.** 523650  
**Project:** Proposed Apartment Buildings  
**Project Address:** 2380 & 2396 Cleroux Crescent  
**Client:** Bridor Developments

**Date:** March 15, 2023  
**Designed:** GC  
**Checked:** JA  
**Drawing Reference:** C300

**SANITARY DESIGN SHEET**  
**SEWER DESIGN**

LOCATION			RESIDENTIAL AREA AND POPULATION						COMMERCIAL		INDUSTRIAL			INSTITUTIONAL		C+I+I	INFILTRATION			TOTAL FLOW	PIPE					MANHOLE		
STREET	FROM MH	TO MH	AREA (Ha)	POP.	CUMMULATIVE		PEAK FACT.	PEAK FLOW (l/s)	AREA (Ha)	ACCU. AREA (Ha)	AREA (Ha)	ACCU. AREA (Ha)	PEAK FACT.	AREA (Ha)	ACCU. AREA (Ha)	PEAK FLOW (l/s)	TOTAL AREA (Ha)	ACCU. AREA (Ha)	INFILT. FLOW (l/s)	TOTAL FLOW (l/s)	LENGTH (m)	DIA. (mm)	MATERAIL	SLOPE (%)	CAP. (FULL) (l/s)	VEL. (FULL) (m/s)	UP INVERT (m)	DOWN INVERT (m)
					AREA (Ha)	POP.																						
SITE	PROP. BLDG A	SAN MH1	0.45	63.0	0.45	63.0	4.0	0.82	0.000	0.000	0.00	0.00	7.0	0.0	0.0	0.00	0.45	0.45	0.13	0.94	9.6	150	PVC	1.00%	15.23	0.86	78.60	78.50
SITE	PROP. BLDG B	SAN MH1	0.39	64.4	0.39	64.4	4.0	0.83	0.000	0.000	0.00	0.00	7.0	0.0	0.0	0.00	0.39	0.39	0.11	0.94	15.0	150	PVC	1.00%	15.23	0.86	78.65	78.50
	SAN MH1	SAN MH2	0.000	0.0	0.84	127.4	4.0	1.65	0.000	0.000	0.00	0.00	7.0	0.0	0.0	0.00	0.00	0.84	0.23	1.89	64.4	200	PVC	4.80%	71.86	2.29	78.38	75.29

DESIGN PARAMETERS NOTES

Average Daily Flow = 280 L/p/day  
 Commercial and Institutional Flow = 280000 L/ha/da  
 Industrial Flow = 35000 L/ha/da  
 Maximum Residential Peak Flow = 4  
 Connection and Institutional Peak Factor = 1.5

Industrial Peak Factor = 7 as per Appendix 4-B  
 Extraneous Flow = 0.28 L/s/ha  
 Minimum Velocity = 0.76 m/s  
 Mannings n = 0.013

Appartments:	Person Per Unit	Building A	Building B
Bachelor =	1.4	0	0
1 Bedroom =	1.4	30	28
2 Bedroom =	2.1	10	12
3 Bedroom =	3.1	0	0
		63	64.4

# **Appendix C: Water Supply and Fire Protection Calculations**



**File No.** 523650  
**Project:** Proposed Apartment Buildings  
**Project Address:** 2380 & 2396 Cleroux Crescent  
**Client:** Bridor Developments

**Date: January 25, 2023**  
**Designed: GC**  
**Checked: JA**  
**Drawing Reference: C300**

**ANTICIPATED WATER DEMANDS**

Population			
Appartments:	Person Per Unit	Block A	Block B
Bachelor =	1.4	0	0
1 Bedroom =	1.4	30	28
2 Bedroom =	2.1	10	12
3 Bedroom =	3.1	0	0
		63.00	64.40

	Block A	Block B	
Average Daily Demand Per Capita =	280	280	L/c/d
Average Daily Demand =	17640	18032	L/d
	0.20	0.21	L/s
Maximum Daily Peak Factor =	2.5	2.5	* As per City of Ottawa
Maximum Daily Residential =	44100	45080	L/d
	0.51	0.52	L/s
Maximum Hourly Peak Factor =	2.2	2.2	* As per City of Ottawa
Maximum Hourly Residential =	97020	99176	L/d
	1.12	1.15	L/s

**REQUIRED WATER SERVICE CAPACITY (SAME FOR BLOCK A AND B)**

Fixture Count per Building					
	1 Bedroom	2 Bedroom	Unit Counts	WSFU	Total
Unrinal Flush Tank	1	1	40	2	80
Sinks	2	2	80	1	80
Bathub	1	1	40	4	160
Diswasher	1	1	40	1.5	60
Washing Machine	1	1	40	2	80
					460

Total fixture units:	460	(as per OBC Table 7.6.3.2.A)
Conversion of fixture units to equivalent gpm:	117	gpm
Required Pipe Capacity =	637,766	L/d
=	7.38	L/s

**WATER SERVICE SIZING**

$Q = VA$                       Where:                       $V =$  Design velocity of 1.5m/s x 3600 = 5400m/h (as per OBC guidelines)  
 $A =$  area of pipe =  $(\pi/4) \times D^2$   
 $Q =$  water supply flow rate to be accounted for in  $m^3/h$

Minimum pipe diameter for each building:                       $d = (4Q/\pi V)^{1/2}$                       (derived from  $Q = VA$  formula)  
 $d = 0.079$                       m  
 $d = 79$                       mm

Proposed pipe diameter for each building:                      100                      mm



### FUS Fire Flow Calculations (Block A)

Tatham File no. : 523650  
 Project: 2380 & 2396 Cleroux Crescent  
 Date: 31-May-23  
 Designed by: GC  
 Checked by: JA

$$RFF = 220C\sqrt{A}$$

Where:

- RFF = the Required Fire Flow in litres per minutes (LPM)
- C = the Construction Coefficient is related to the type of construction of the building
- A = the Total Effective Floor Area (effective building area) in square metres of the building

#### Determine the Construction Coefficient (C)

1	Choose frame used for building	Coefficient C related to the type of construction	Type V Wood Frame Construction	1.5	Type II Noncombustible Construction	0.8
			Type IV-A Mass Timber Construction	0.8		
			Type IV-B Mass Timber Construction	0.9		
			Type IV-C Mass Timber Construction	1.0		
			Type IV-D Mass Timber Construction	1.5		
			Type III Ordinary Construction	1.0		
			Type II Noncombustible Construction	0.8		
			Type I Fire Resistive Construction	0.6		

#### Determine Total Effective Floor Area (A)

Option 1							
The Construction coefficient is greater or equal to 1	FALSE	100% of all floor area (Excluding basements at least 50% below grade)			Total Effective Area	0	sq.m.
Option 2							
The Construction coefficient is less than 1	TRUE	Are vertical openings in the building protected? (Per NBC Division B, Section 3.5. Vertical Transportation)			NO	Are the floor areas uniform throughout the building	
		Unprotected Vertical Openings, Uniform Floor Area					
TRUE	Number of Floors	3	Area of Floor(s)	1,193	Total Effective Area	2,983	sq.m.
Unprotected Vertical Openings, Dissimilar Floor Area							
FALSE	Area of 2 largest adjoining floors		Area of floors above 2 largest adjoining floors (up to a maximum of 8 floors)		Total Effective Area	0	sq.m.
Protected Vertical Openings, Uniform Floor Area							
FALSE	Number of Floors		Area of Floor(s)		Total Effective Area	0	sq.m.
Protected Vertical Openings, Dissimilar Floor Area							
FALSE	Area of the largest floor	Area of floor directly above largest floor			Total Effective Area	0	sq.m.
		Area of floor directly below largest floor					

#### Determine the Required Fire Flow

3	Obtain Required Fire Flow	$RFF = 220C\sqrt{A}$	Required Fire Flow	10,000	L/min
				166.7	L/s

#### Reduction or Surcharge Due to Factors Affecting Burning

4	Choose combustibility of contents	Occupancy hazard reduction or surcharge	Non-combustible	-0.25	Limited combustible	-0.15		
			Limited combustible	-0.15				
			Combustible	0				
			Free burning	0.15			8,500	L/min
			Rapid burning	0.25			141.7	L/s
5	Choose reduction for sprinklers	Sprinkler reduction	Sprinklers conforming to NFPA13 (wet or dry system)	-0.30	NO	0		
			Water supply is standard for both the system and fire department hose lines (siamese connection)	-0.10	NO	0		
			Fully supervised system (electronic monitoring system on at all times)	-0.10	NO	0		
			All buildings within 30m of the proposed structure are confirmed to have a sprinkler system	-0.25	NO	0	8,500	L/min
						141.7	L/s	

#### Exposure Adjustment Charge

6	Exposure distance between units	North side	Over 30m	Length - Height Value (assumed worst case for exposed building facing wall)	>100	Exposure Adjustment Charge	0	
		East side	20.1 to 30m		>100	Exposure Adjustment Charge	0.04	
		South side	20.1 to 30m		>100	Exposure Adjustment Charge	0.04	
		West side	10.1 to 20m		>100	Exposure Adjustment Charge	0.08	
		Cumulative Required Fire Flow						
							164.3	L/s

#### Total Required Fire Flow

7	Obtain fire flow, duration	Minimum required fire flow rate (rounded to nearest 1000)		10,000	L/min
		Minimum required fire flow rate		166.7	L/s
		Required duration of fire flow		2	Hrs



### FUS Fire Flow Calculations (Block B)

Tatham File no. : 523650  
 Project: 2380 & 2396 Cleroux Crescent  
 Date: 31-May-23  
 Designed by: GC  
 Checked by: JA

$$RFF = 220C\sqrt{A}$$

Where:

- RFF = the Required Fire Flow in litres per minutes (LPM)
- C = the Construction Coefficient is related to the type of construction of the building
- A = the Total Effective Floor Area (effective building area) in square metres of the building

#### Determine the Construction Coefficient (C)

1	Choose frame used for building	Coefficient C related to the type of construction	Type V Wood Frame Construction	1.5	Type II Noncombustible Construction	0.8
			Type IV-A Mass Timber Construction	0.8		
			Type IV-B Mass Timber Construction	0.9		
			Type IV-C Mass Timber Construction	1.0		
			Type IV-D Mass Timber Construction	1.5		
			Type III Ordinary Construction	1.0		
			Type II Noncombustible Construction	0.8		
			Type I Fire Resistive Construction	0.6		

#### Determine Total Effective Floor Area (A)

Option 1							
The Construction coefficient is greater or equal to 1	FALSE	100% of all floor area (Excluding basements at least 50% below grade)			Total Effective Area	0	sq.m.
Option 2							
The Construction coefficient is less than 1	TRUE	Are vertical openings in the building protected? (Per NBC Division B, Section 3.5. Vertical Transportation)			NO	Are the floor areas uniform throughout the building	
		Unprotected Vertical Openings, Uniform Floor Area					
TRUE	Number of Floors	3	Area of Floor(s)	1,184	Total Effective Area	2,960	sq.m.
Unprotected Vertical Openings, Dissimilar Floor Area							
FALSE	Area of 2 largest adjoining floors	Area of floors above 2 largest adjoining floors (up to a maximum of 8 floors)		Total Effective Area			
		Protected Vertical Openings, Uniform Floor Area					
FALSE	Number of Floors	Area of Floor(s)		Total Effective Area			
		Protected Vertical Openings, Dissimilar Floor Area					
FALSE	Area of the largest floor	Area of floor directly above largest floor		Total Effective Area			
		Area of floor directly below largest floor		0			

#### Determine the Required Fire Flow

3	Obtain Required Fire Flow	$RFF = 220C\sqrt{A}$	Required Fire Flow	10,000	L/min
				166.7	L/s

#### Reduction or Surcharge Due to Factors Affecting Burning

4	Choose combustibility of contents	Occupancy hazard reduction or surcharge	Non-combustible	-0.25	Limited combustible	-0.15		
			Limited combustible	-0.15				
			Combustible	0				
			Free burning	0.15			8,500	L/min
			Rapid burning	0.25			141.7	L/s
5	Choose reduction for sprinklers	Sprinkler reduction	Sprinklers conforming to NFPA13 (wet or dry system)	-0.30	NO	0		
			Water supply is standard for both the system and fire department hose lines (siamese connection)	-0.10	NO	0		
			Fully supervised system (electronic monitoring system on at all times)	-0.10	NO	0		
			All buildings within 30m of the proposed structure are confirmed to have a sprinkler system	-0.25	NO	0	8,500	L/min
						141.7	L/s	

#### Exposure Adjustment Charge

6	Exposure distance between units	North side	Over 30m	Length - Height Value (assumed worst case for exposed building facing wall)	>100	Exposure Adjustment Charge	0	
		East side	20.1 to 30m		>100	Exposure Adjustment Charge	0.04	
		South side	20.1 to 30m		>100	Exposure Adjustment Charge	0.04	
		West side	10.1 to 20m		>100	Exposure Adjustment Charge	0.08	
		Cumulative Required Fire Flow						
							164.3	L/s

#### Total Required Fire Flow

7	Obtain fire flow, duration	Minimum required fire flow rate (rounded to nearest 1000)		10,000	L/min
		Minimum required fire flow rate		166.7	L/s
		Required duration of fire flow		2	Hrs

**Water Pressure Calculations (Block A)**

**Tatham File No. :** 523650  
**Project :** 2380 & 2396 Cleroux Crescent  
**Date :** January 25, 2023  
**Designed by :** GC  
**Reviewed by :** JA

**Piezometric Head Equation (Derived from Bernoulli's Equation)**

$$h = \frac{p}{\gamma} + z$$

Where:

h = HGL (m)

p = Pressure (Pa)

γ = Specific weight (N/m<sup>3</sup>) =

9810

z = Elevation of centreline of pipe (m) =

80.62

**Water Pressure at Cleroux Crescent Connection**

HGL (m)	Pressure	
	kPa	psi
Max Day	131	494.23
Peak Hour	127	454.99
Max. Day + Fire =	123.1	416.73

**Hazen Williams Equation**

$$h_f = \frac{10.67 \times Q^{1.85} \times L}{C^{1.85} \times d^{4.87}}$$

Where:

h<sub>f</sub> = Head loss over the length of pipe (m)

Q = Volumetric flow rate (m<sup>3</sup>/s)

L = Length of pipe (m)

C = Pipe roughness coefficient

d = Pipe diameter (m)

### Scenario 1: maximum daily demand

Q (L/s)	0.51	
C	150	
L (m.)	19.5	
I.D. (mm)	100	
V (m/s)	0.06	
$h_f$ (m)	0.00	
Head Loss (psi)	0.00	
Pressure (psi)	71.68	
Service Obv. @ Street Connection (m)	80.67	
Service Obv. @ Building Connection (m)	80.45	
Pressure Adjustment (psi)	0.31	(due to service elevation difference from street to building)
Adjusted Min. Pressure (psi)	71.99	(must not be less than 50 psi; must not be more than 80 psi)

### Scenario 2: maximum hourly demand

Q (L/s)	1.12	
C	150	
L (m.)	19.5	
I.D. (mm)	100	
V (m/s)	0.14	
$h_f$ (m)	0.01	
Head Loss (psi)	0.01	
Pressure (psi)	65.98	
Service Obv. @ Street Connection (m)	80.67	
Service Obv. @ Building Connection (m)	80.45	
Pressure Adjustment (psi)	0.31	(due to service elevation difference from street to building)
Adjusted Min. Pressure (psi)	66.30	(must not be less than 40 psi; must not be more than 80 psi)

**Water Pressure Calculations (Block B)**

**Tatham File No. :** 523650  
**Project :** 2380 & 2396 Cleroux Crescent  
**Date :** January 25, 2023  
**Designed by :** GC  
**Reviewed by :** JA

**Piezometric Head Equation (Derived from Bernoulli's Equation)**

$$h = \frac{p}{\gamma} + z$$

Where:

h = HGL (m)

p = Pressure (Pa)

γ = Specific weight (N/m<sup>3</sup>) =

9810

z = Elevation of centreline of pipe (m) =

81.01

**Water Pressure at Cleroux Crescent Connection**

HGL (m)	Pressure	
	kPa	psi
Max Day	131	490.40
Peak Hour	127	451.16
Max. Day + Fire =	123.1	412.90

**Hazen Williams Equation**

$$h_f = \frac{10.67 \times Q^{1.85} \times L}{C^{1.85} \times d^{4.87}}$$

Where:

h<sub>f</sub> = Head loss over the length of pipe (m)

Q = Volumetric flow rate (m<sup>3</sup>/s)

L = Length of pipe (m)

C = Pipe roughness coefficient

d = Pipe diameter (m)

**Scenario 1: maximum daily demand**

Q (L/s)	0.52	
C	150	
L (m.)	14.7	
I.D. (mm)	100	
V (m/s)	0.07	
$h_f$ (m)	0.00	
Head Loss (psi)	0.00	
Pressure (psi)	71.13	
Service Obv. @ Street Connection (m)	81.06	
Service Obv. @ Building Connection (m)	80.10	
Pressure Adjustment (psi)	1.37	(due to service elevation difference from street to building)
Adjusted Min. Pressure (psi)	72.49	(must not be less than 50 psi; must not be more than 80 psi)

**Scenario 2: maximum hourly demand**

Q (L/s)	1.15	
C	150	
L (m.)	14.7	
I.D. (mm)	100	
V (m/s)	0.15	
$h_f$ (m)	0.00	
Head Loss (psi)	0.01	
Pressure (psi)	65.43	
Service Obv. @ Street Connection (m)	81.06	
Service Obv. @ Building Connection (m)	80.10	
Pressure Adjustment (psi)	1.37	(due to service elevation difference from street to building)
Adjusted Min. Pressure (psi)	66.80	(must not be less than 40 psi; must not be more than 80 psi)

## **Appendix D: Boundary Conditions**



## Boundary Conditions 2396 Cleroux Street

### Provided Information

Scenario	Demand	
	L/min	L/s
Average Daily Demand	31	0.51
Maximum Daily Demand	76	1.27
Peak Hour	167	2.79
Fire Flow Demand #1	10,000	166.67

### Location



### Results

#### Connection 1 – Cleroux St.

Demand Scenario	Head (m)	Pressure <sup>1</sup> (psi)
Maximum HGL	131.0	67.8
Peak Hour	127.0	62.2
Max Day plus Fire 1	123.1	56.6

Ground Elevation = 83.2 m

**Connection 2 – Orient Park Dr.**

<b>Demand Scenario</b>	<b>Head (m)</b>	<b>Pressure<sup>1</sup> (psi)</b>
Maximum HGL	131.0	70.2
Peak Hour	127.0	64.6
Max Day plus Fire 1	120.1	54.8

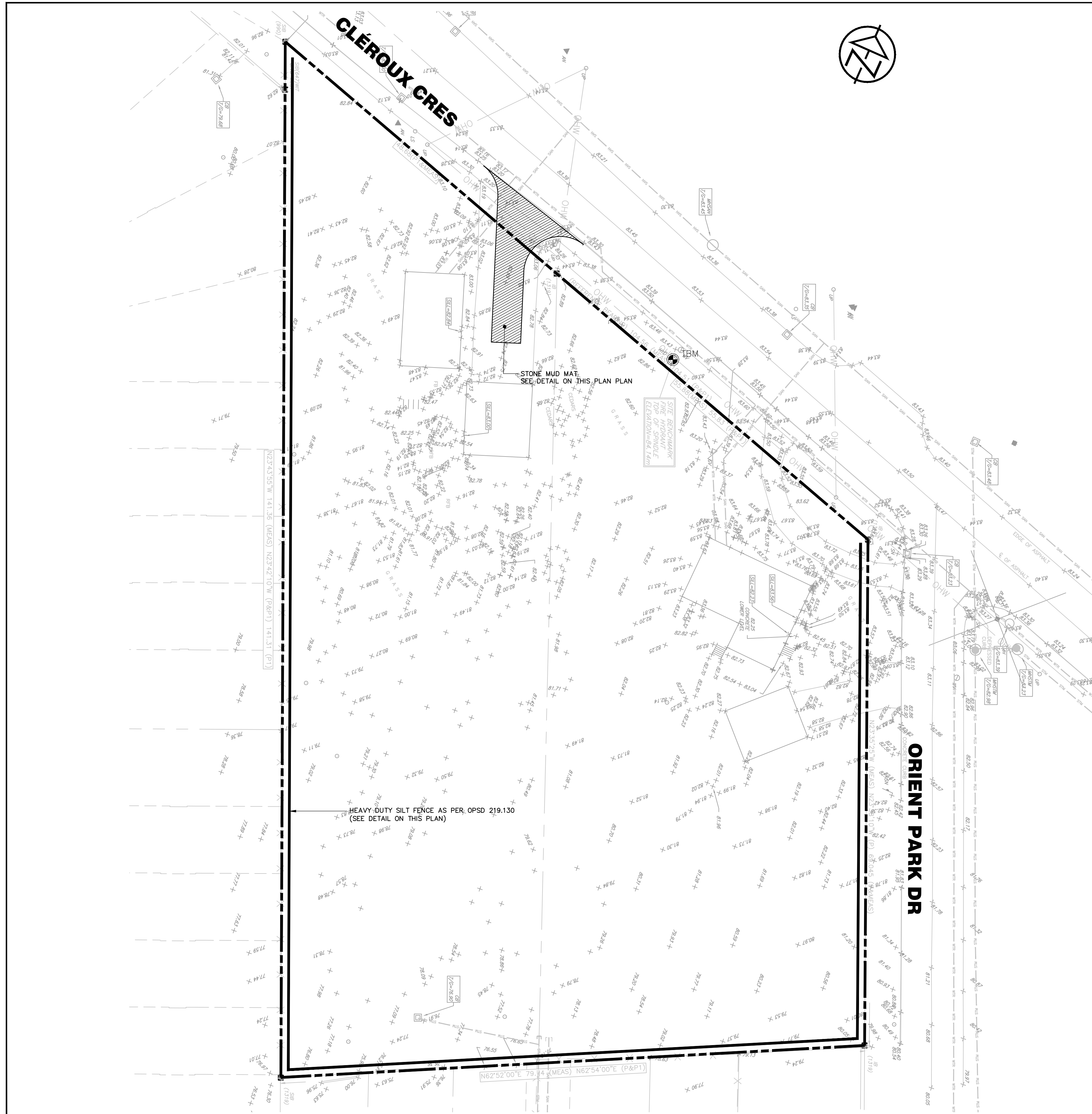
Ground Elevation = 81.6 m

**Disclaimer**

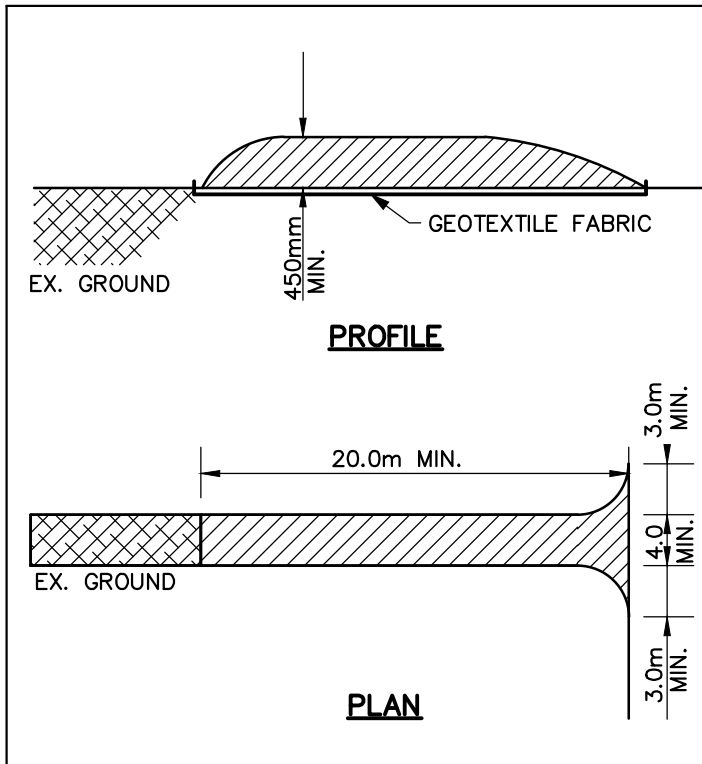
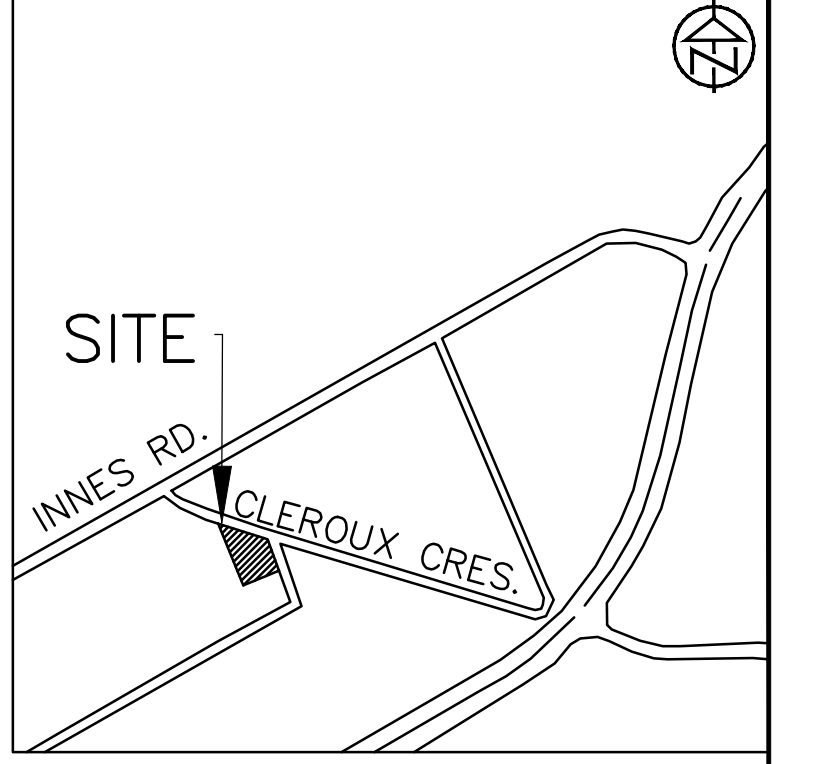
*The boundary condition information is based on current operation of the city water distribution system. The computer model simulation is based on the best information available at the time. The operation of the water distribution system can change on a regular basis, resulting in a variation in boundary conditions. The physical properties of watermains deteriorate over time, as such must be assumed in the absence of actual field test data. The variation in physical watermain properties can therefore alter the results of the computer model simulation. Fire Flow analysis is a reflection of available flow in the watermain; there may be additional restrictions that occur between the watermain and the hydrant that the model cannot take into account.*

# Appendix E: Engineering Drawings





- GENERAL NOTES**
- CONTRACTOR TO INSTALL AND MAINTAIN SILT FENCE AT LOCATIONS SHOWN OR AS DIRECTED BY THE ENGINEER.
  - CONTRACTOR TO ARRANGE PRE-CONSTRUCTION MEETING WITH ENGINEER AFTER PLACING ALL SILTATION CONTROL WORKS.
  - SILTATION AND EROSION CONTROL WORKS MUST BE INSTALLED PRIOR TO CONSTRUCTION.
  - ALL SEDIMENT CONTROL WORKS MUST BE CLEANED AND MAINTAINED AFTER EACH MAJOR STORM EVENT OR AS DEEMED NECESSARY BY THE ENGINEER.
  - THE CONTRACTOR WILL INSPECT THE SEDIMENT AND EROSION CONTROL MEASURES WEEKLY AND AFTER EACH MAJOR STORM EVENT. THE CONTRACTOR WILL NOTIFY THE ENGINEER OF CORRECTIVE ACTIONS REQUIRED AS SOON AS DEFICIENCIES ARE NOTED. THE CONTRACTOR MAINTAINS ULTIMATE RESPONSIBILITY TO ENSURE PROPER SEDIMENT AND EROSION CONTROL MEASURES ARE IMPLEMENTED AND MAINTAINED. ALL DEFICIENCIES AND CORRECTIVE MEASURES WILL BE DOCUMENTED IN A WEEKLY INSPECTION REPORT. A COPY OF THE WEEKLY INSPECTION REPORT WILL BE PROVIDED TO THE ENGINEER.
  - IF CONSTRUCTION IS INTERRUPTED AND/OR INACTIVITY EXCEEDS 30 DAYS, THEN STOCKPILED, STRIPPED OR EXPOSED AREAS MUST BE STABILIZED BY HYDROSEEDING AND ANY OTHER APPROPRIATE GEOTEXTILE MATERIAL, IF REQUIRED.
  - REMOVAL OF ALL SILT FENCES AT THE END OF CONSTRUCTION TO BE APPROVED BY THE ENGINEER AFTER THE SITE HAS STABILIZED.
  - ALL SILT FENCE TO OPSD 219.130.
  - CLEARING OF VEGETATION AND TREE COVER IS TO OCCUR OUTSIDE OF BIRD BREEDING SEASON AS RECOMMENDED BY ENVIRONMENT CANADA (APRIL 15 - AUGUST 15)
  - ALL SIDE SLOPES 3:1 OR GREATER ARE TO BE STABILIZED IMMEDIATELY WITH HYDROSEED (USING A NATIVE SEED MIX) UNLESS OTHERWISE NOTED. USE OF AN EROSION CONTROL BLANKET SUCH AS TERRAFIX S-100 (OR APPROVED EQUAL) IS RECOMMENDED IF CONSTRUCTION OCCURS OUTSIDE OF THE GROWING SEASON.



**STONE MUD MAT DETAIL**  
SCALE: N.T.S.

**STONE SIZE** - THE STONE PAD SHALL BE A MIN. 450mm THICK. USE 509mm STONE OR RECLAIMED CONCRETE EQUIVALENT FOR FIRST 10m FROM ADJACENT ROAD & 150mm $\phi$  STONE. FOR REMAINDER OF STONE PAD.

**LENGTH** - AS REQUIRED BUT NOT LESS THAN 20m.

**WIDTH** - 4m MIN. BUT NOT LESS THAN THE WIDTH AT POINTS WHERE INGRESS AND EGRESS OCCURS. GEOTEXTILE FABRIC (TERRAFIX 270R OR EQUAL) WILL BE PLACED OVER THE ENTIRE AREA PRIOR TO PLACING STONE.

**SURFACE WATER** - ALL SURFACE WATER FLOWING OR DIRECTED TOWARD CONSTRUCTION ENTRANCES SHALL BE PIPED ACROSS THE ENTRANCE.

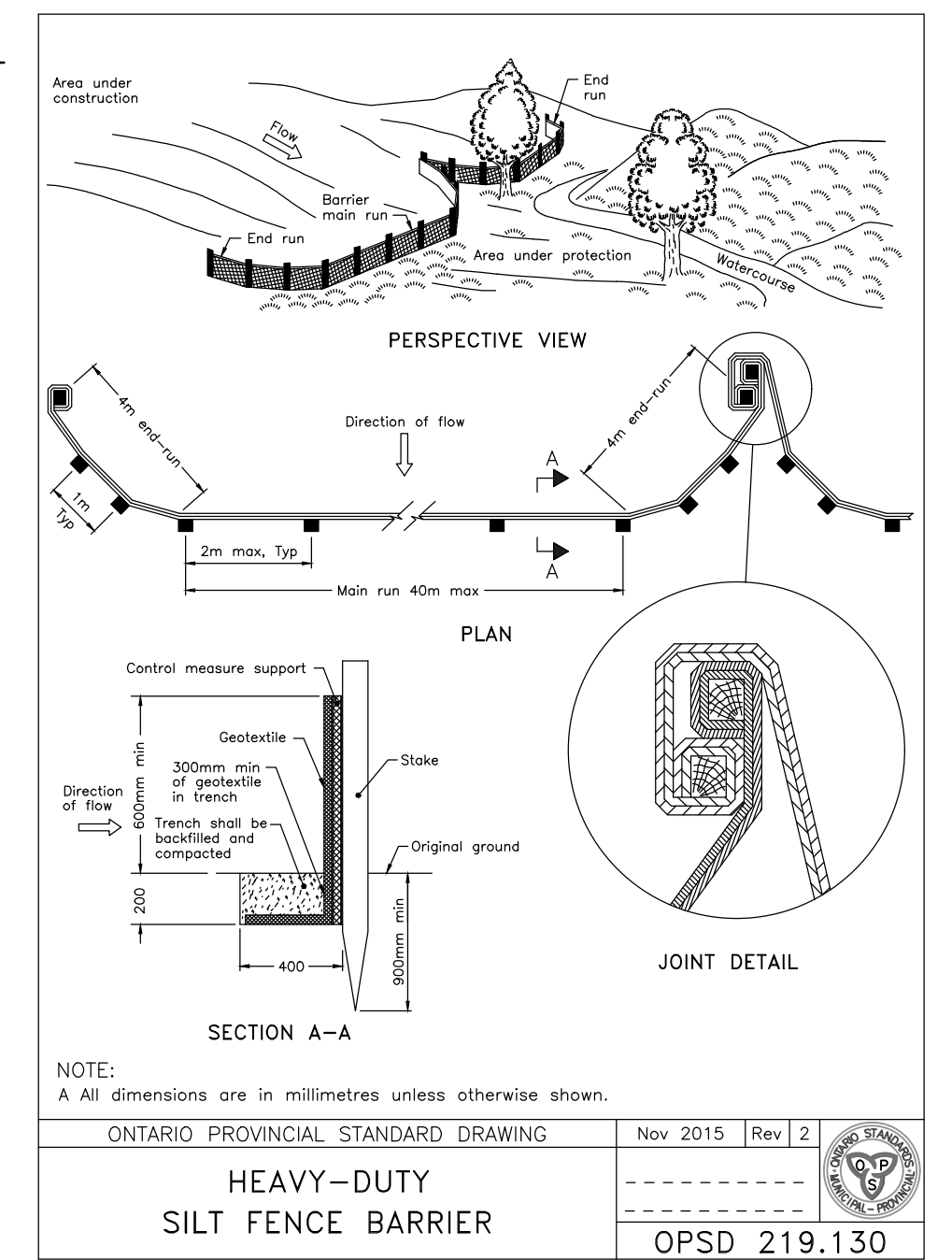
**MAINTENANCE** - THE CONTRACTOR SHALL MAINTAIN THE ENTRANCE IN A CONDITION WHICH WILL PREVENT TRACKING OR FLOWING OF SEDIMENT ONTO PUBLIC RIGHT-OF-WAY; THIS MAY REQUIRE PERIODIC DRESSING WITH ADDITIONAL STONE AS CONDITIONS DEMAND AND REPAIR AND/OR CLEANOUT OF ANY MEASURES USED TO TRAP SEDIMENT. ALL SEDIMENT SPILLED, DROPPED, WASHED OR TRACKED ONTO PUBLIC RIGHT-OF-WAY MUST BE REMOVED IMMEDIATELY BY THE CONTRACTOR. UPON OBSERVATION OF CONTINUOUS MUD TRACKING ONTO ADJACENT STREETS, THE STONE MAT IS TO BE FULLY REPLACED.

**WASHING** - WHEELS SHALL BE CLEANED TO REMOVE SEDIMENT PRIOR TO ENTRANCE ONTO PUBLIC RIGHT-OF-WAY. WHEN WASHING IS REQUIRED, IT SHALL BE DONE ON AN AREA STABILIZED WITH STONE AND WHICH DRAINS INTO AN APPROVED SEDIMENT TRAPPING DEVICE.

**INSPECTION AND REQUIRED MAINTENANCE** AFTER EACH RAIN SHALL BE PROVIDED BY THE CONTRACTOR.

**SCHEDULE OF CONSTRUCTION WORKS**

- IMPLEMENTATION OF EROSION CONTROL MEASURES AS SPECIFIED ON THIS PLAN
- REMOVALS AS SPECIFIED ON THIS PLAN
- TOPSOIL STRIPPING AND STOCKPILED
- EARTH EXCAVATION AND GRADING



**LEGEND**

--- PROPERTY BOUNDARY

**DISCLAIMER AND COPYRIGHT**

CONTRACTOR MUST VERIFY ALL DIMENSIONS AND BE RESPONSIBLE FOR SAME. ANY DISCREPANCIES MUST BE REPORTED TO THE ENGINEER BEFORE COMMENCING WORK. DRAWINGS ARE NOT TO BE SCALED.

TATHAM ENGINEERING LIMITED CLAIMS COPYRIGHT TO THIS DRAWING WHICH MAY NOT BE USED FOR ANY PURPOSE OTHER THAN THAT PROVIDED IN THE CONTRACT BETWEEN THE OWNER/CLIENT AND THE ENGINEER WITHOUT THE EXPRESS CONSENT OF TATHAM ENGINEERING LIMITED.

TOPOGRAPHIC SURVEY WAS COMPLETED BY STANTEC CONSULTING DATED JULY 19, 2016. ELEVATIONS SHOWN HEREON ARE GEODETIC (COVID-1928-1978) AND ARE DERIVED FROM NCC VERTICAL CONTROL MONUMENT No.217 HAVING AN ELEVATION OF 85.00.

**IBM:** TOP OF SPINDLE OF FIRE HYDRANT LOCATED ON THE SITE NORTH ENTRANCE. ELEVATION=84.14m.

No.	REVISION DESCRIPTION	DATE	ENGINEER STAMP
1.	ISSUED FOR SPA	JAN 2023	
2.	RE-ISSUED FOR SPA	MAR 2023	
3.	RE-ISSUED FOR SPA	JUN 2023	

**BRIDOR DEVELOPMENTS**  
2380 & 2396 CLÉROUX CRESCENT  
CITY OF OTTAWA

**SITE SILTATION AND EROSION CONTROL PLAN**

**TATHAM ENGINEERING**

DESIGN: HY  
DRAWN: HY  
CHECK: GC

FILE: 523650  
DATE: JAN 2023  
SCALE: 1:300

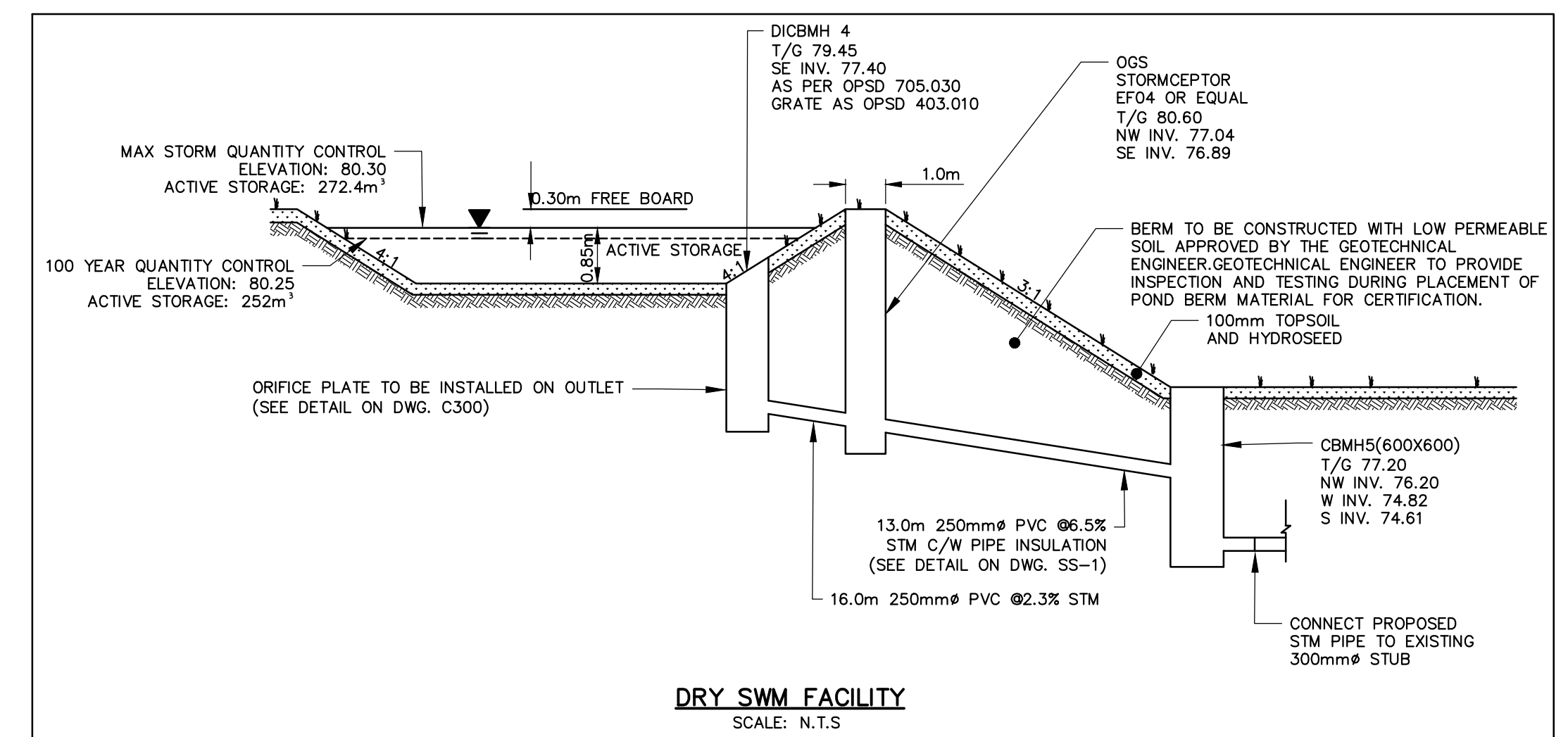
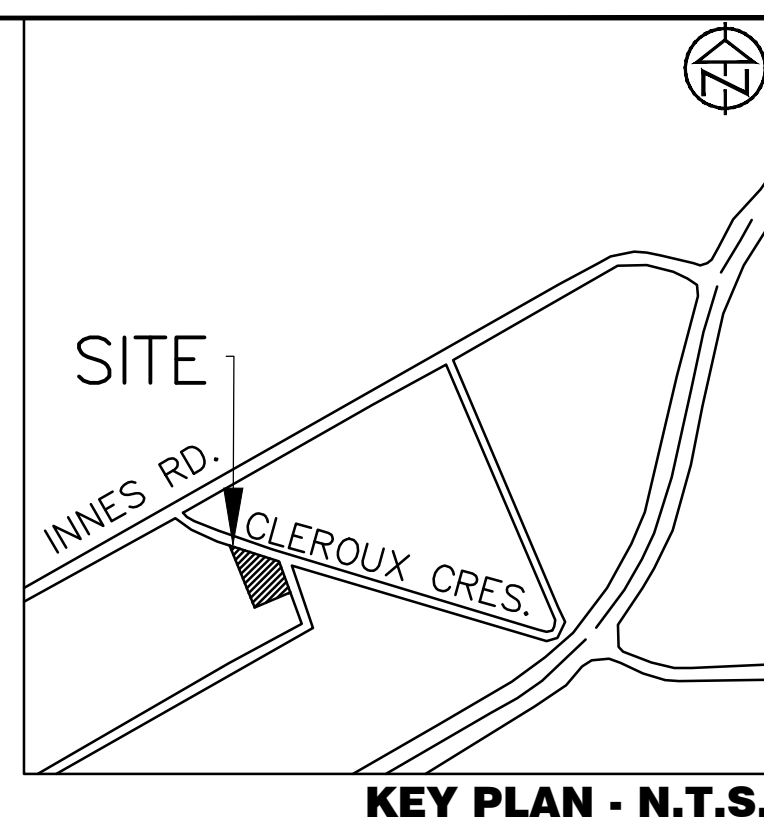
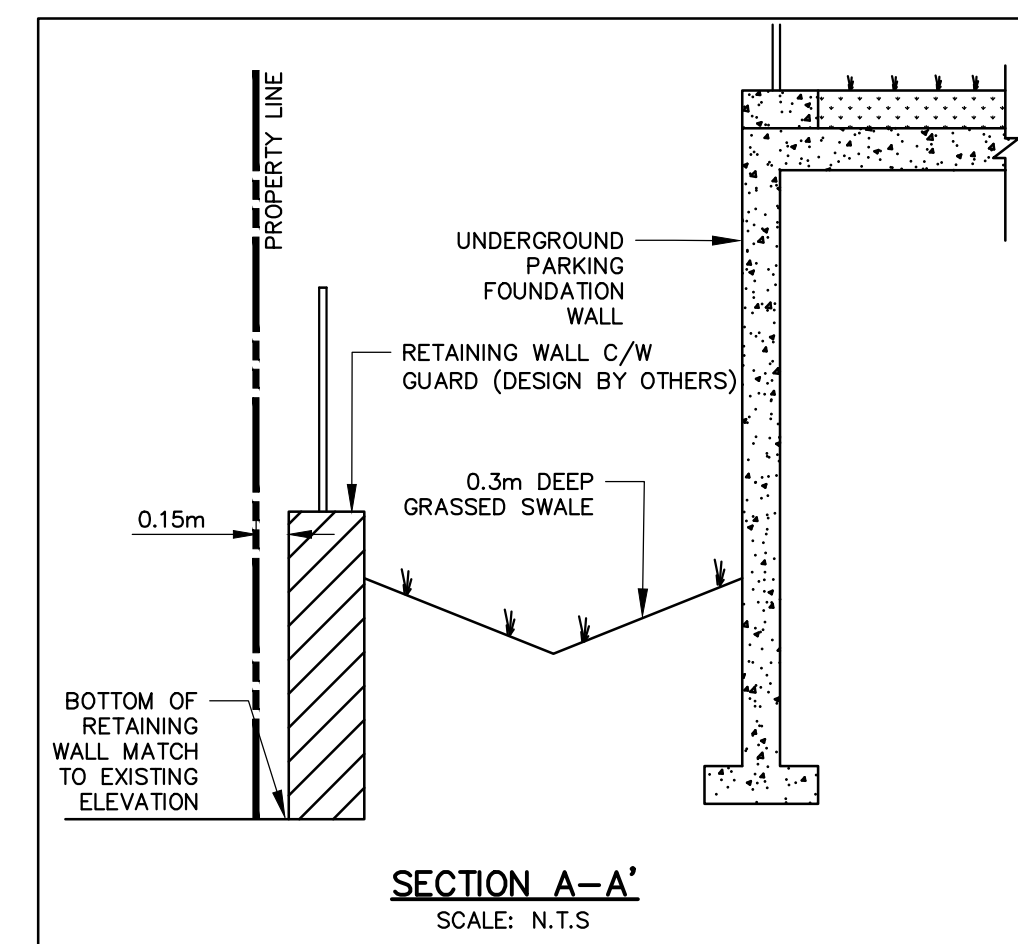
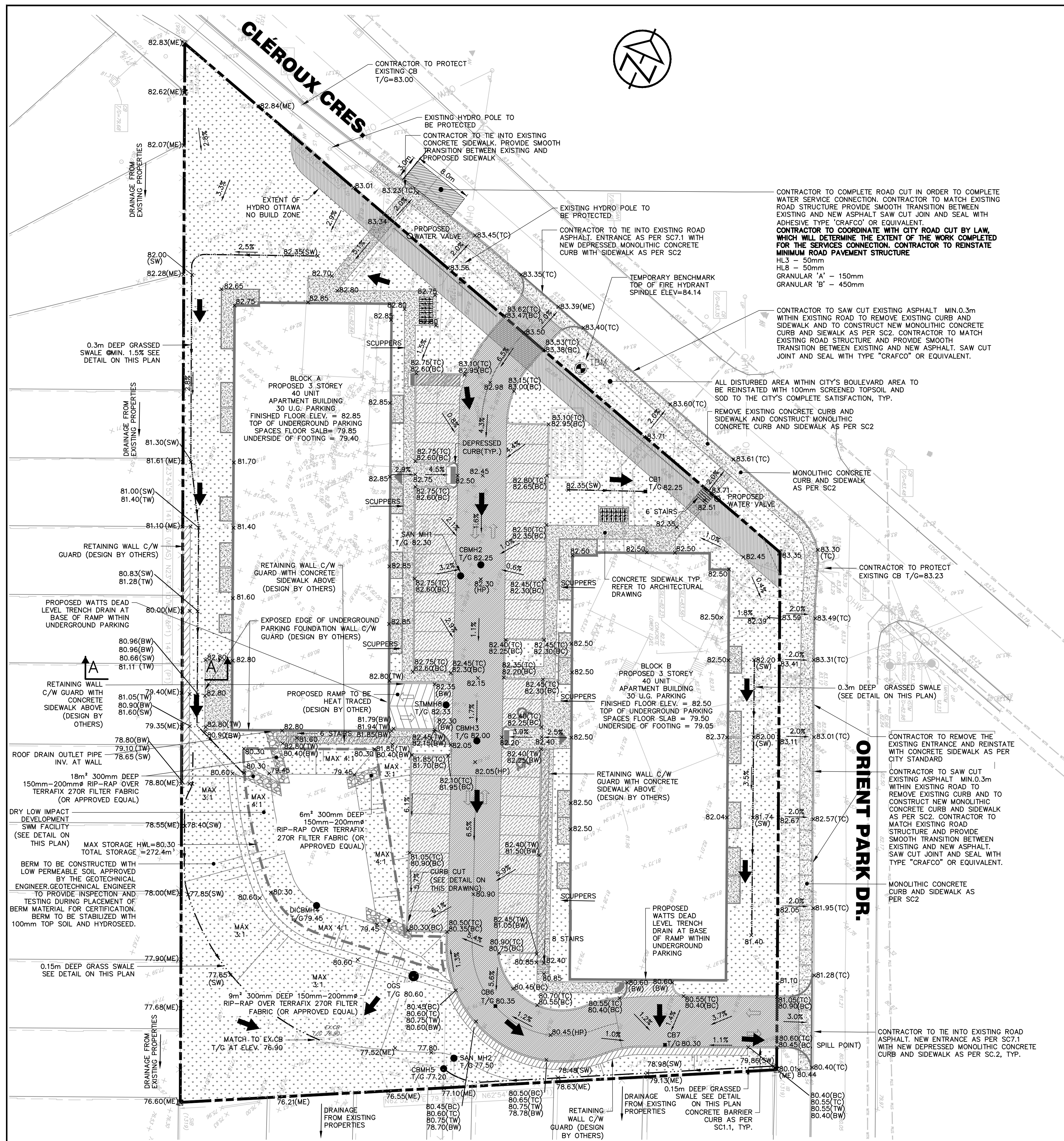
DWG:  
**C100**

Drawing Name: 523650-C100.dwg, Plotted: Jun 07, 2023

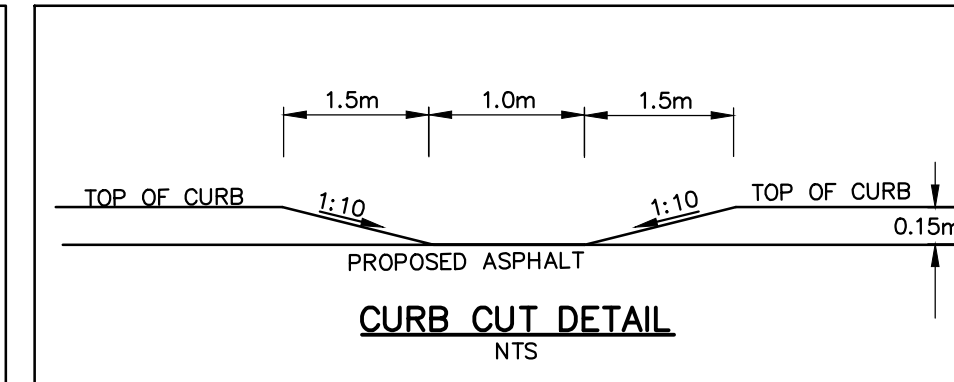
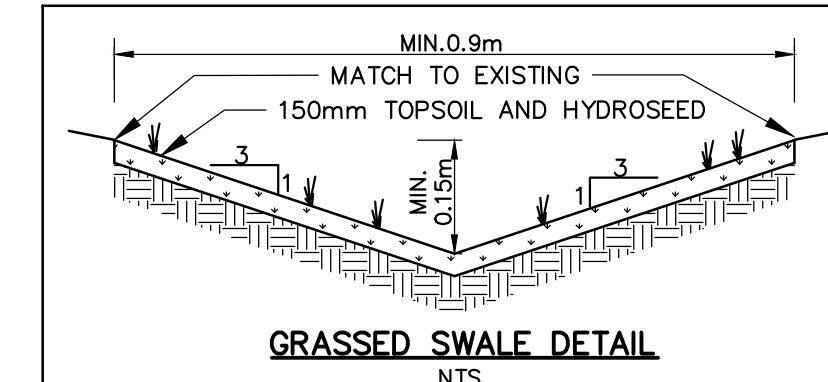
OPSD 219.130

D07-12-21-0081





PAVEMENT STRUCTURE			
Course	Compaction Requirement	Light Duty	Heavy Duty
Surface Course Asphalt	OPSS 310	50mm HL3 or HL5	40mm HL3 or HL5
Binder Course Asphalt	OPSS 310		50mm HL8 (2 lifts)
Granular Base	100% SPMD (ASTM-D698)	150mm OPSS 1010 Granular A	150mm OPSS 1010 Granular A
Granular Subbase	98% SPMD (ASTM-D698)	300mm OPSS 1010 Granular B	450mm OPSS 1010 Granular B



**LEGEND**

- LANDSCAPING STONES
- PROPOSED CONCRETE FEATURES
- PROPOSED SOD
- PROPOSED HEAVY DUTY ASPHALT
- PROPOSED LIGHT DUTY ASPHALT
- PROPOSED DOOR ENTRANCE/EXIT
- PROPOSED OVERLAND FLOW ROUTE
- PROPOSED ELEVATION
- PROPOSED ELEVATION MATCH EXISTING
- PROPOSED TOP OF CURB
- PROPOSED BOTTOM OF CURB
- PROPOSED BOTTOM OF CONCRETE PAD
- EXISTING COUNTEROUR
- PROPERTY BOUNDARY

**DISCLAIMER AND COPYRIGHT**  
CONTRACTOR MUST VERIFY ALL DIMENSIONS AND BE RESPONSIBLE FOR SAME. ANY DISCREPANCIES MUST BE REPORTED TO THE ENGINEER BEFORE COMMENCING WORK. DRAWINGS ARE NOT TO BE SCALED.  
TATHAM ENGINEERING LIMITED CLAIMS COPYRIGHT TO THIS DRAWING WHICH MAY NOT BE USED FOR ANY PURPOSE OTHER THAN THAT PROVIDED IN THE CONTRACT BETWEEN THE OWNER/CLIENT AND THE ENGINEER WITHOUT THE EXPRESS CONSENT OF TATHAM ENGINEERING LIMITED.

TOPOGRAPHIC SURVEY WAS COMPLETED BY STANTEC CONSULTING DATED JULY 19, 2016. ELEVATIONS SHOWN HEREON ARE GEODETIC (CGVD-1928:1978) AND ARE DERIVED FROM NCC VERTICAL CONTROL MONUMENT No.217 HAVING AN ELEVATION OF 85.00.  
T.M. TOP OF SPINDLE OF FIRE HYDRANT LOCATED ON THE SITE NORTH ENTRANCE. ELEVATION=84.14m.

No.	REVISION DESCRIPTION	DATE	ENGINEER STAMP
1.	ISSUED FOR SPA	JAN 2023	
2.	RE-ISSUED FOR SPA	MAR 2023	
3.	RE-ISSUED FOR SPA	JUN 2023	

**BRIDOR DEVELOPMENTS**  
2380 & 2396 CLÉROUX CRESCENT  
CITY OF OTTAWA

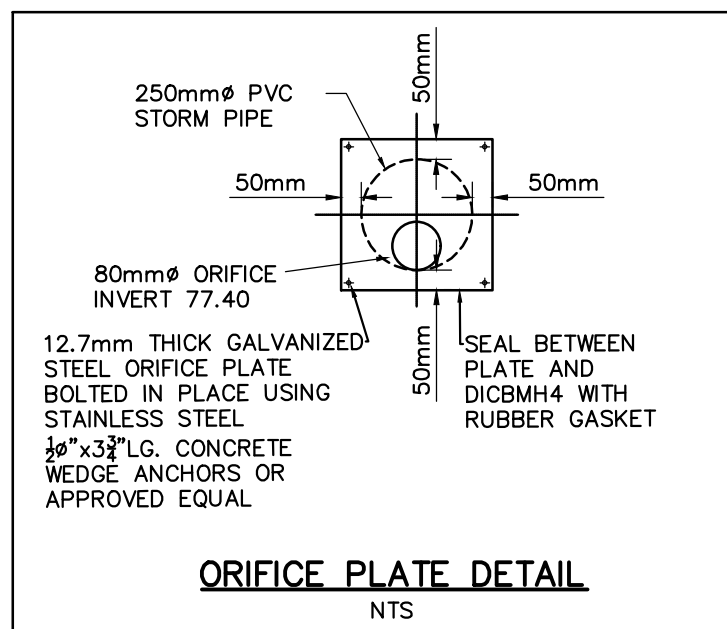
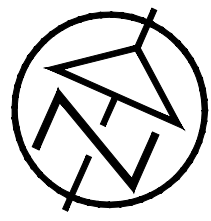
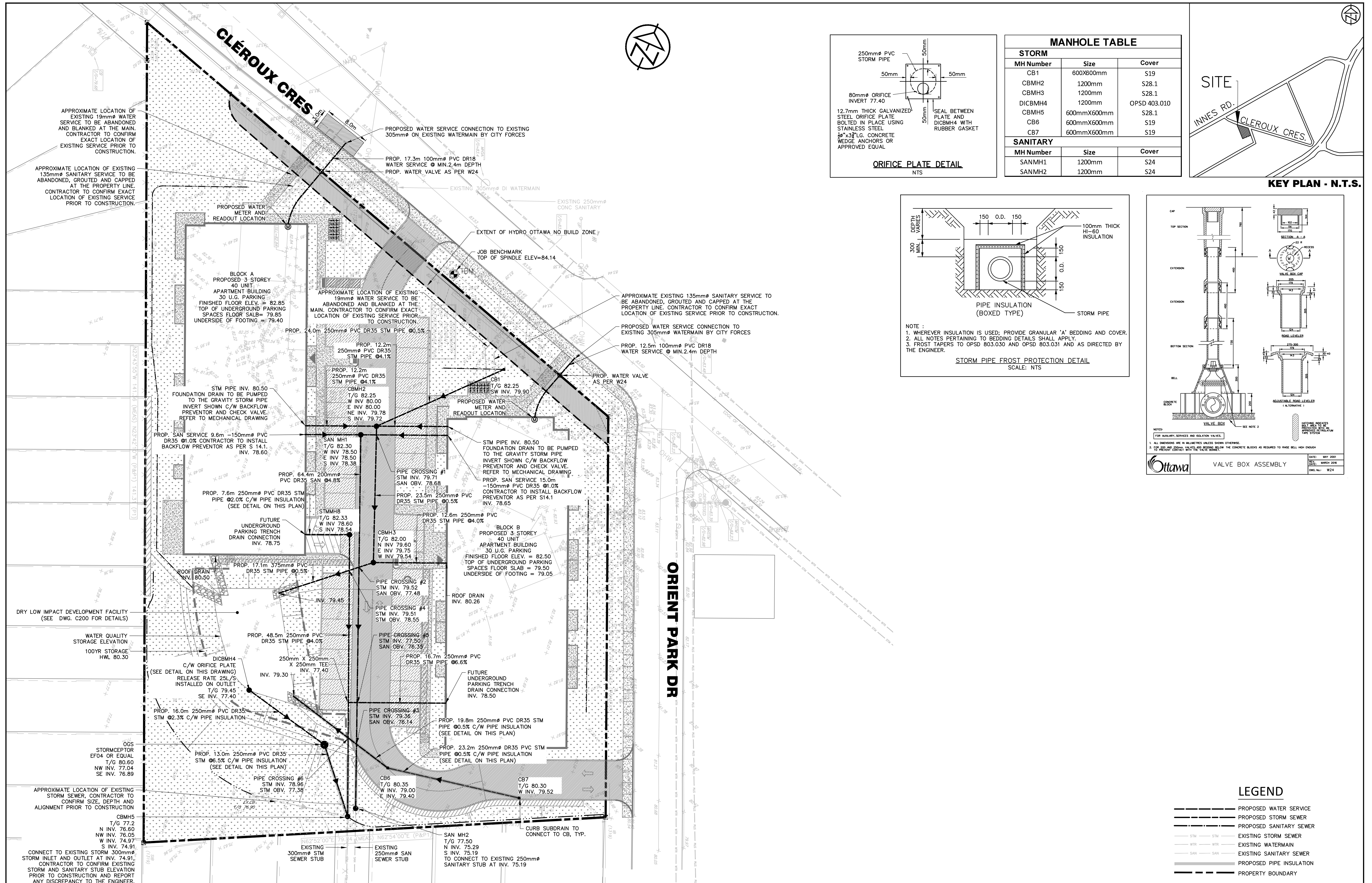
**TATHAM ENGINEERING**

**SITE GRADING PLAN**

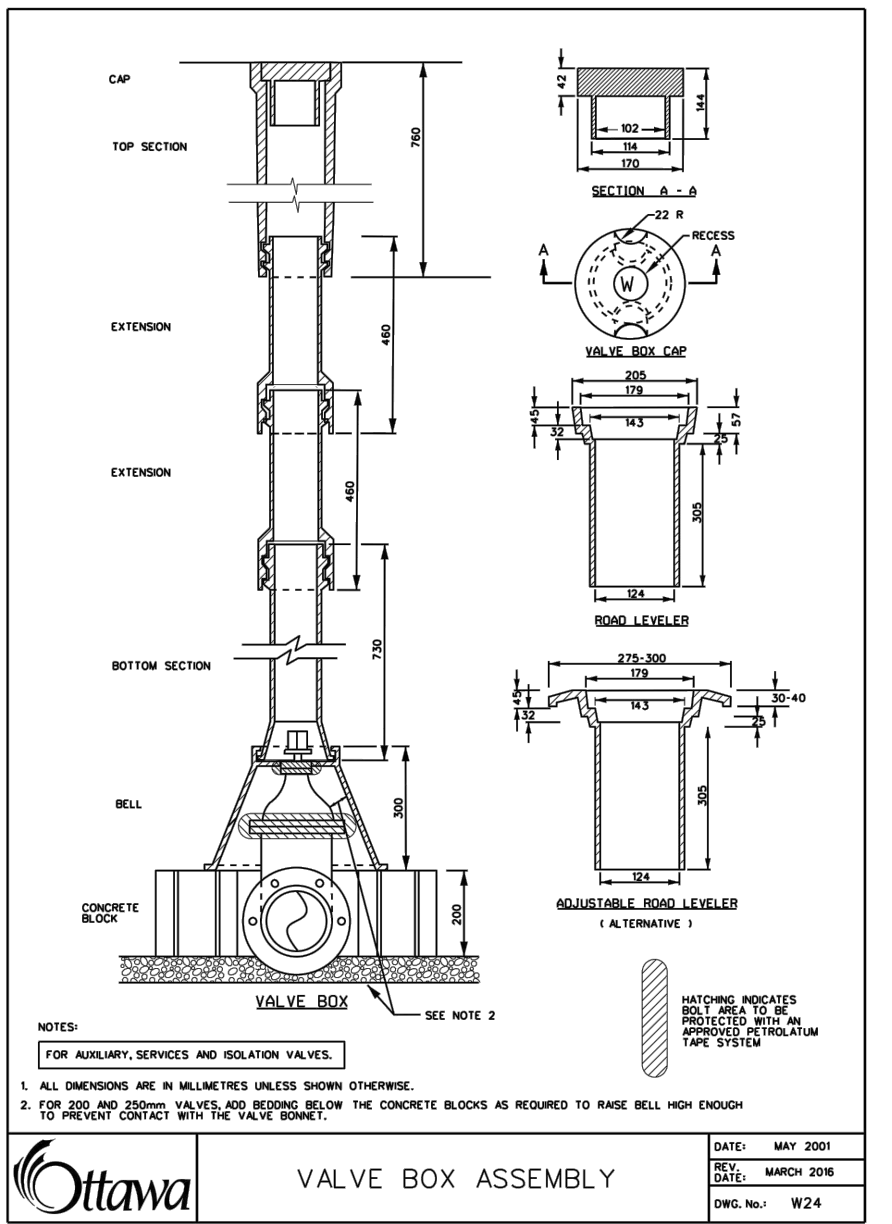
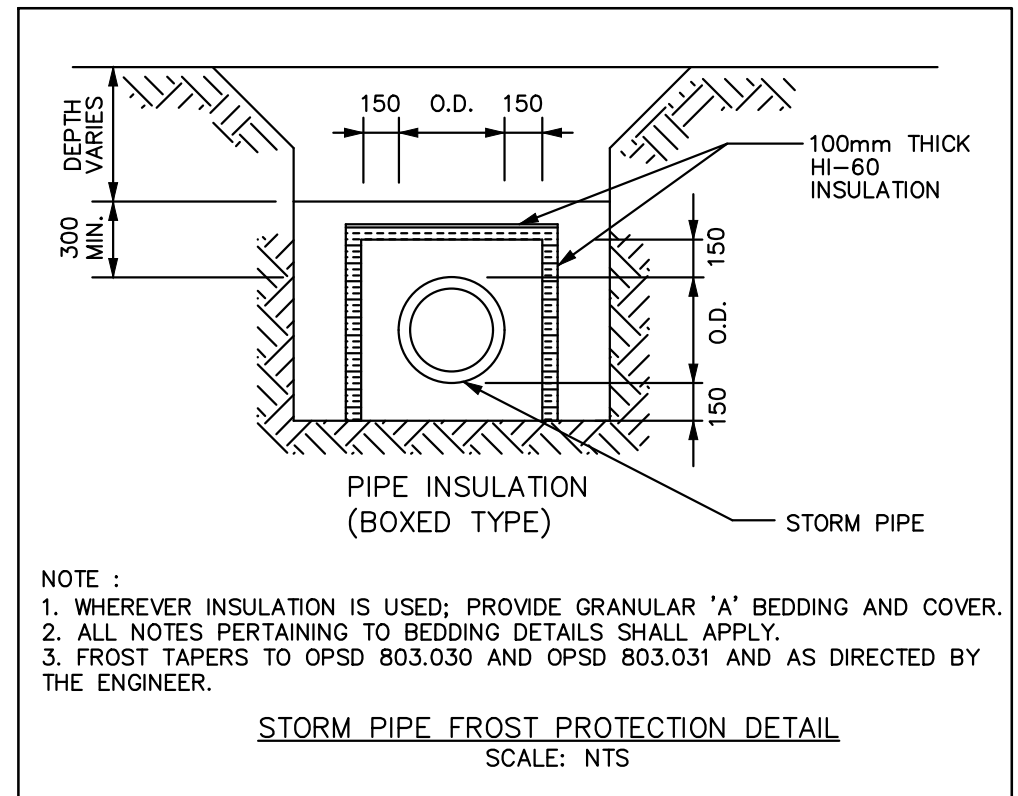
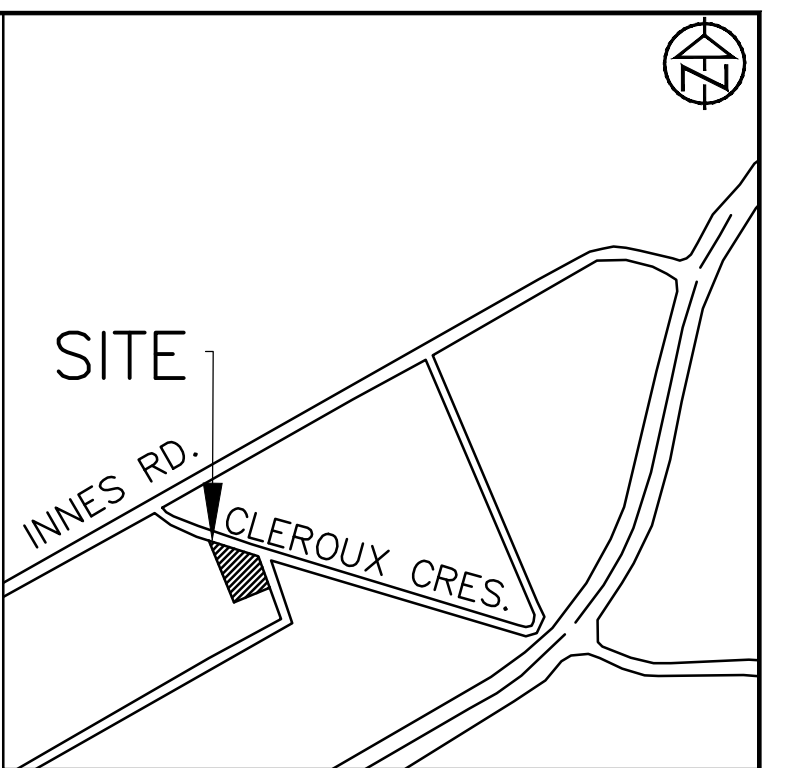
DESIGN: HY FILE: 523650 DWG:  
DRAWN: HY DATE: JAN 2023  
CHECK: GC SCALE: 1:300

**C200**





MANHOLE TABLE		
STORM		
MH Number	Size	Cover
CB1	600x600mm	S19
CBMH2	1200mm	S28.1
CBMH3	1200mm	S28.1
DICBMH4	1200mm	OPSD 403.010
CBMH5	600mmX600mm	S28.1
CB6	600mmX600mm	S19
CB7	600mmX600mm	S19
SANITARY		
MH Number	Size	Cover
SANMH1	1200mm	S24
SANMH2	1200mm	S24



**DISCLAIMER AND COPYRIGHT**  
 CONTRACTOR MUST VERIFY ALL DIMENSIONS AND BE RESPONSIBLE FOR SAME. ANY DISCREPANCIES MUST BE REPORTED TO THE ENGINEER BEFORE COMMENCING WORK. DRAWINGS ARE NOT TO BE SCALED.  
 TATHAM ENGINEERING LIMITED CLAIMS COPYRIGHT TO THIS DRAWING WHICH MAY NOT BE USED FOR ANY PURPOSE OTHER THAN THAT PROVIDED IN THE CONTRACT BETWEEN THE OWNER/CLIENT AND THE ENGINEER WITHOUT THE EXPRESS CONSENT OF TATHAM ENGINEERING LIMITED.

TOPOGRAPHIC SURVEY WAS COMPLETED BY STANTEC CONSULTING DATED JULY 19, 2016. ELEVATIONS SHOWN HEREON ARE GEODETIC (CGVD-1928/1978) AND ARE DERIVED FROM NCC VERTICAL CONTROL MONUMENT No.217 HAVING AN ELEVATION OF 85.00.  
**IBM:** TOP OF SPINDLE OF FIRE HYDRANT LOCATED ON THE SITE NORTH ENTRANCE. ELEVATION=84.14m.

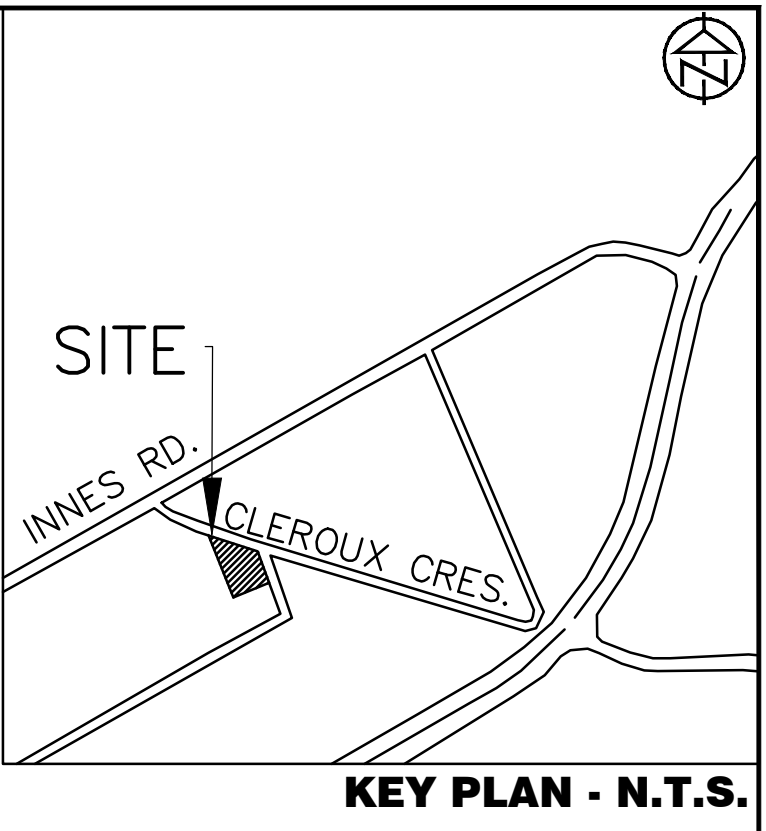
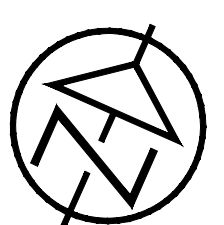
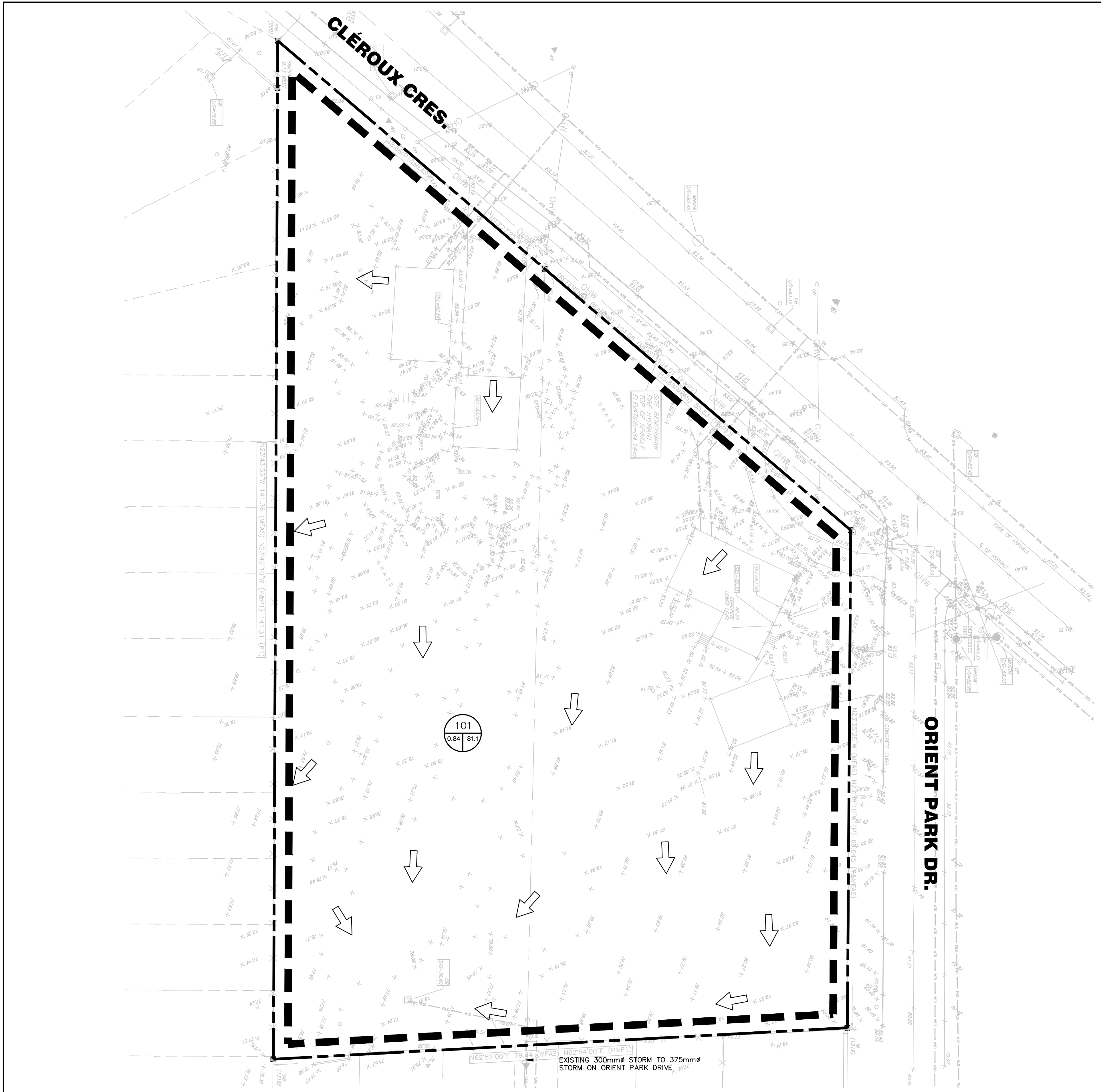
No.	REVISION DESCRIPTION	DATE	ENGINEER STAMP
1.	ISSUED FOR SPA	JAN 2023	
2.	RE-ISSUED FOR SPA	MAR 2023	
3.	RE-ISSUED FOR SPA	JUN 2023	

**BRIDOR DEVELOPMENTS**  
**2380 & 2396 CLÉROUX CRESCENT**  
**CITY OF OTTAWA**

**TATHAM ENGINEERING**

DESIGN: HY FILE: 523650 DWG:  
 DRAWN: HY DATE: JAN 2023 **C300**  
 CHECK: GC SCALE: 1:300





KEY PLAN - N.T.S.

**LEGEND**

- SUBJECT PROPERTY BOUNDARY
- DRAINAGE AREA BOUNDARY
- EXISTING CONDITION DRAINAGE DIRECTION
- DRAINAGE AREA ID
- CN\*
- AREA (ha.)

**DISCLAIMER AND COPYRIGHT**  
 CONTRACTOR MUST VERIFY ALL DIMENSIONS AND BE RESPONSIBLE FOR SAME. ANY DISCREPANCIES MUST BE REPORTED TO THE ENGINEER BEFORE COMMENCING WORK. DRAWINGS ARE NOT TO BE SCALED.  
 TATHAM ENGINEERING LIMITED CLAIMS COPYRIGHT TO THIS DRAWING WHICH MAY NOT BE USED FOR ANY PURPOSE OTHER THAN THAT PROVIDED IN THE CONTRACT BETWEEN THE OWNER/CLIENT AND THE ENGINEER WITHOUT THE EXPRESS CONSENT OF TATHAM ENGINEERING LIMITED.

TOPOGRAPHIC SURVEY WAS COMPLETED BY STANTEC CONSULTING DATED JULY 19, 2016. ELEVATIONS SHOWN HEREON ARE GEODETIC (CGVD-1928:1978) AND ARE DERIVED FROM NCC VERTICAL CONTROL MONUMENT No.217 HAVING AN ELEVATION OF 85.00.  
**IBM:** TOP OF SPINDLE OF FIRE HYDRANT LOCATED ON THE SITE NORTH ENTRANCE. ELEVATION=84.14m.

No.	REVISION DESCRIPTION	DATE	ENGINEER STAMP
1.	ISSUED FOR SPA	JAN 2023	
2.	RE-ISSUED FOR SPA	MAR 2023	
3.	RE-ISSUED FOR SPA	JUN 2023	

No.	REVISION DESCRIPTION	DATE	ENGINEER STAMP

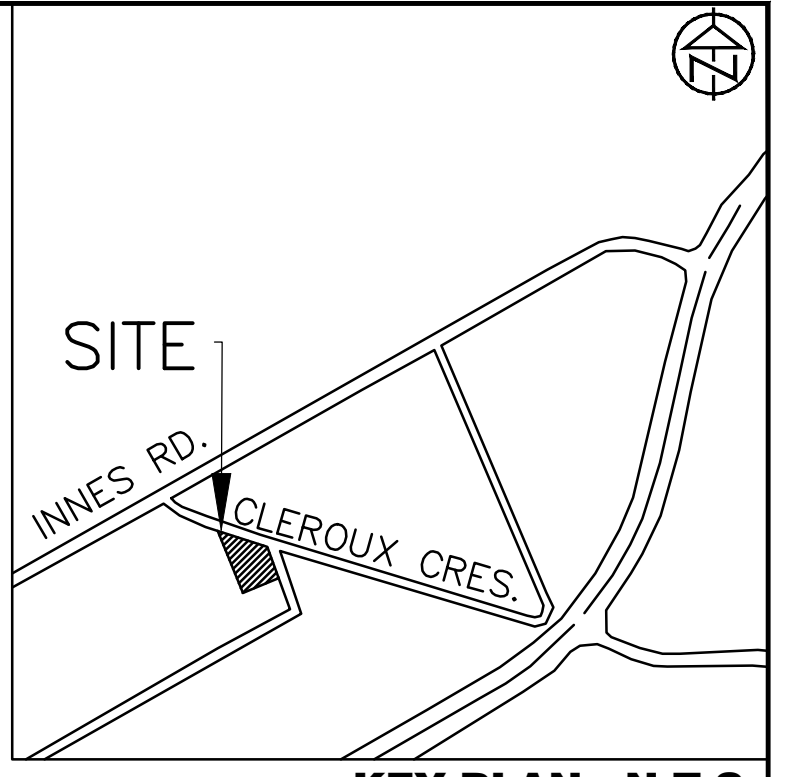
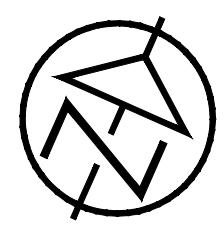
**BRIDOR DEVELOPMENTS**  
**2380 & 2396 CLÉROUX CRESCENT**  
**CITY OF OTTAWA**

**EXISTING CONDITION**  
**SITE DRAINAGE PLAN**

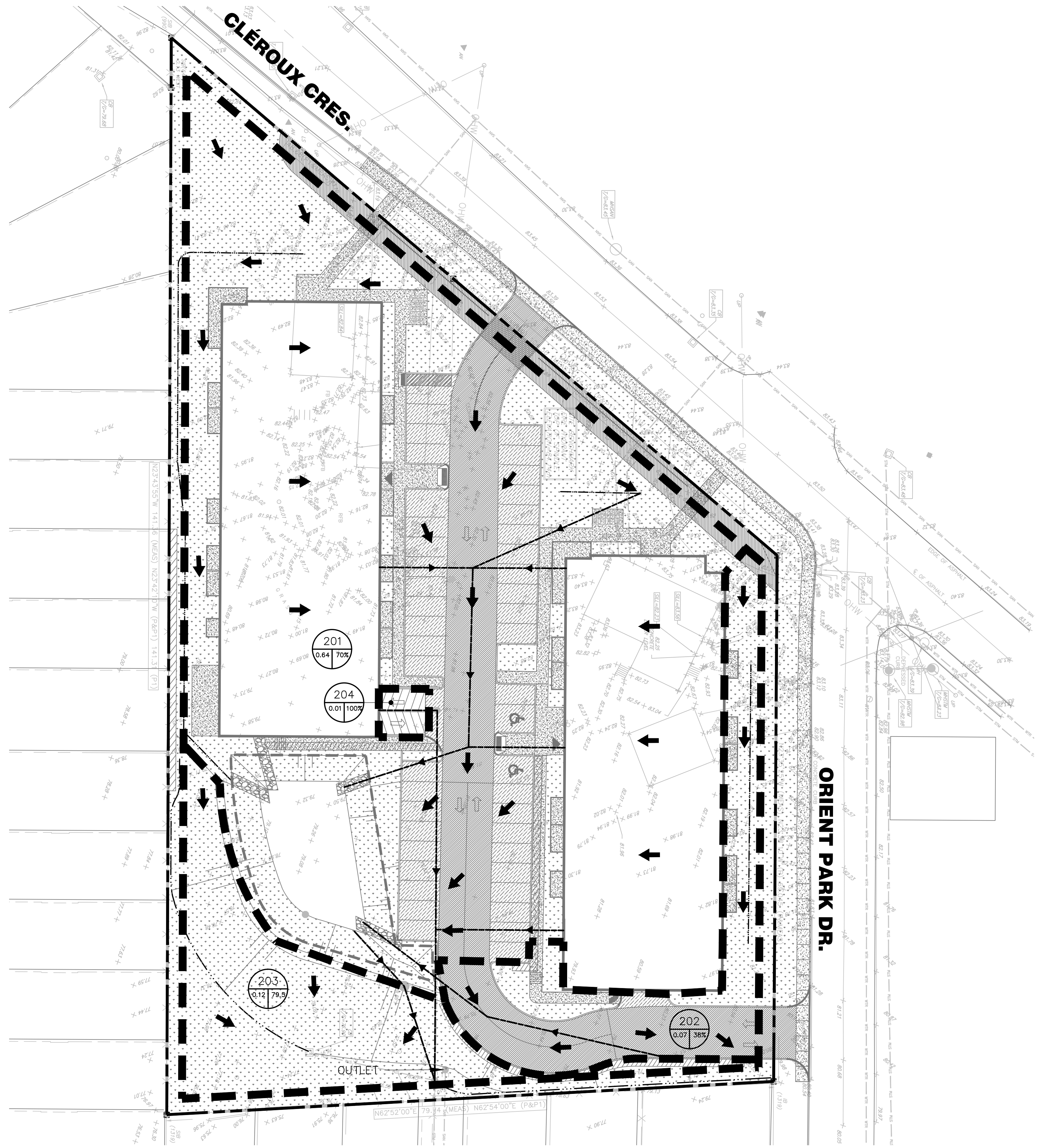
**TATHAM ENGINEERING**

DESIGN: HY	FILE: 523650	DWG: C400
DRAWN: HY	DATE: JAN 2023	
CHECK: GC	SCALE: 1:300	





KEY PLAN - N.T.S.



LEGEND

- SUBJECT PROPERTY BOUNDARY
- DRAINAGE AREA BOUNDARY
- PROPOSED CONDITION DRAINAGE DIRECTION
- DRAINAGE AREA ID  
CN+ / % IMPERVIOUS  
AREA (ha.)

**DISCLAIMER AND COPYRIGHT**  
 CONTRACTOR MUST VERIFY ALL DIMENSIONS AND BE RESPONSIBLE FOR SAME. ANY DISCREPANCIES MUST BE REPORTED TO THE ENGINEER BEFORE COMMENCING WORK. DRAWINGS ARE NOT TO BE SCALED.  
 TATHAM ENGINEERING LIMITED CLAIMS COPYRIGHT TO THIS DRAWING WHICH MAY NOT BE USED FOR ANY PURPOSE OTHER THAN THAT PROVIDED IN THE CONTRACT BETWEEN THE OWNER/CLIENT AND THE ENGINEER WITHOUT THE EXPRESS CONSENT OF TATHAM ENGINEERING LIMITED.

TOPOGRAPHIC SURVEY WAS COMPLETED BY STANTEC CONSULTING DATED JULY 19, 2016. ELEVATIONS SHOWN HEREON ARE GEODETIC (CGVD-1928/1978) AND ARE DERIVED FROM NCC VERTICAL CONTROL MONUMENT No.217 HAVING AN ELEVATION OF 85.00.  
**IBM:** TOP OF SPINDLE OF FIRE HYDRANT LOCATED ON THE SITE NORTH ENTRANCE. ELEVATION=84.14m.

No.	REVISION DESCRIPTION	DATE
1.	ISSUED FOR SPA	JAN 2023
2.	RE-ISSUED FOR SPA	MAR 2023
3.	RE-ISSUED FOR SPA	JUN 2023

No.	REVISION DESCRIPTION	DATE	ENGINEER STAMP
1.	ISSUED FOR SPA	JAN 2023	
2.	RE-ISSUED FOR SPA	MAR 2023	
3.	RE-ISSUED FOR SPA	JUN 2023	

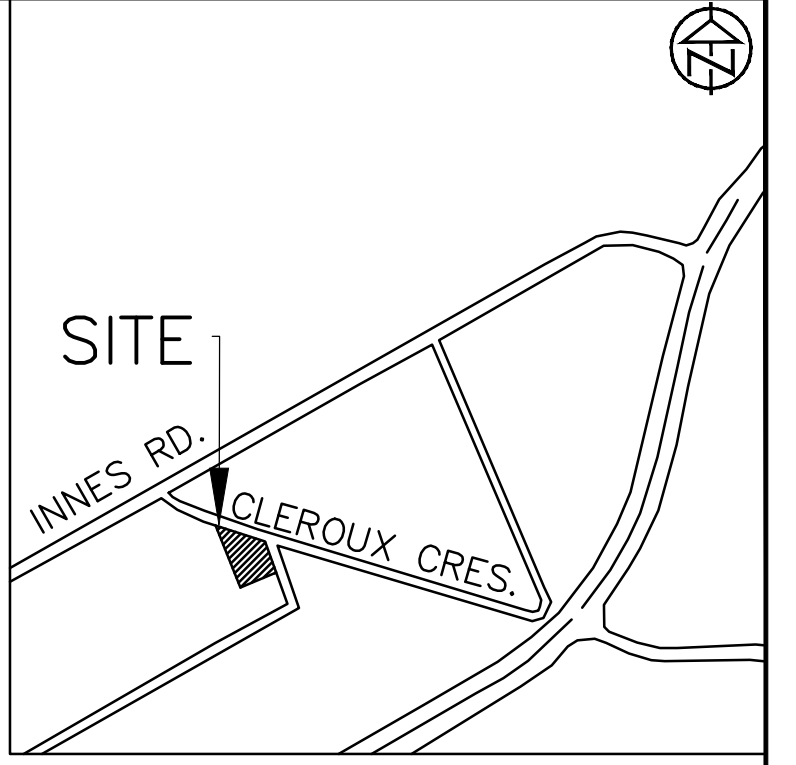
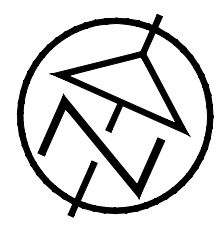
**BRIDOR DEVELOPMENTS**  
**2380 & 2396 CLÉROUX CRESCENT**  
**CITY OF OTTAWA**

**PROPOSED CONDITION**  
**SITE DRAINAGE PLAN**

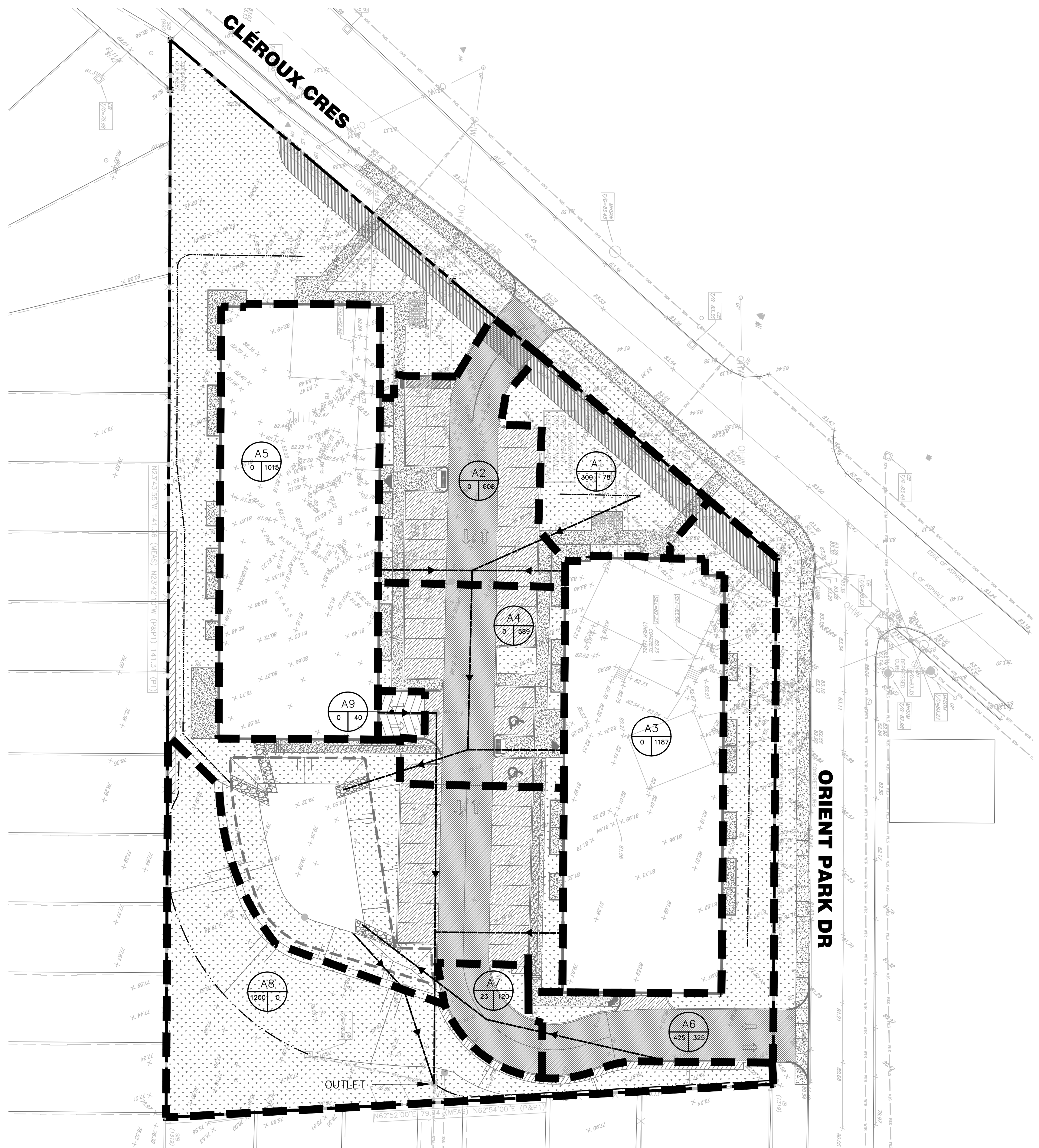


DESIGN: HY	FILE: 523650	DWG: <b>C401</b>
DRAWN: HY	DATE: JAN 2023	
CHECK: GC	SCALE: 1:300	





**KEY PLAN - N.T.S.**



**LEGEND**

- SUBJECT PROPERTY BOUNDARY
- DRAINAGE AREA BOUNDARY
- PROPOSED CONDITION DRAINAGE DIRECTION
- DRAINAGE AREA ID
- IMPERVIOUS AREA (m<sup>2</sup>)
- PERVIOUS AREA (m<sup>2</sup>)

**DISCLAIMER AND COPYRIGHT**  
 CONTRACTOR MUST VERIFY ALL DIMENSIONS AND BE RESPONSIBLE FOR SAME. ANY DISCREPANCIES MUST BE REPORTED TO THE ENGINEER BEFORE COMMENCING WORK. DRAWINGS ARE NOT TO BE SCALED.  
 TATHAM ENGINEERING LIMITED CLAIMS COPYRIGHT TO THIS DRAWING WHICH MAY NOT BE USED FOR ANY PURPOSE OTHER THAN THAT PROVIDED IN THE CONTRACT BETWEEN THE OWNER/CLIENT AND THE ENGINEER WITHOUT THE EXPRESS CONSENT OF TATHAM ENGINEERING LIMITED.

TOPOGRAPHIC SURVEY WAS COMPLETED BY STANTEC CONSULTING DATED JULY 19, 2016. ELEVATIONS SHOWN HEREON ARE GEODETIC (CGVD-1928:1978) AND ARE DERIVED FROM NCC VERTICAL CONTROL MONUMENT No.217 HAVING AN ELEVATION OF 85.00.  
**TM:** TOP OF SPINDLE OF FIRE HYDRANT LOCATED ON THE SITE NORTH ENTRANCE. ELEVATION=84.14m.

No.	REVISION DESCRIPTION	DATE
1.	ISSUED FOR SPA	JAN 2023
2.	RE-ISSUED FOR SPA	MAR 2023
3.	RE-ISSUED FOR SPA	JUN 2023

No.	REVISION DESCRIPTION	DATE	ENGINEER STAMP
1.	ISSUED FOR SPA	JAN 2023	
2.	RE-ISSUED FOR SPA	MAR 2023	
3.	RE-ISSUED FOR SPA	JUN 2023	

**BRIDOR DEVELOPMENTS**  
**2380 & 2396 CLÉROUX CRESCENT**  
**CITY OF OTTAWA**

**STORM DRAINAGE PLAN**

**TATHAM ENGINEERING**

DESIGN: HY	FILE: 523650	DWG:
DRAWN: HY	DATE: JAN 2023	<b>C402</b>
CHECK: GC	SCALE: 1:300	



**Appendix F:  
BL Engineering Site Servicing and  
SWM Report  
(May 5, 2022)**

# **SITE SERVICING AND STORMWATER MANAGEMENT REPORT**

---

**Project Address – 2380 & 2396 Cleroux Cres., Orleans, Ontario**

**Owner/Client:** Bridor Development  
**Address:** 996-B St-Augustin Rd, Embrun ON  
**City file Number:**

**By Blanchard Letendre Engineering Ltd.**  
**Date – May 05, 2022**  
**Our File Reference: 20-305**

**Previous Submission**  
October 14, 2020  
February 04, 2022

## TABLE OF CONTENTS

Table of Contents .....	2
Appendix Table .....	3
1.0 Introduction .....	4
2.0 Site Plan .....	4
3.0 STORM WATER MANAGEMENT .....	5
3.1 Existing Site Condition .....	5
3.2 Proposed Storm Water Management.....	5
3.3 Proposed Storm Water Management.....	6
3.4 Proposed Stormwater Quantity Control .....	6
<b>3.4.1 Roof Drainage</b> .....	7
<b>3.4.2 Underground Chambers</b> .....	7
3.5 Proposed Stormwater Quality Control.....	8
4.0 SANITARY SEWER DESIGN .....	8
4.1 Existing Site Conditions .....	8
4.2 Existing Site Conditions .....	8
5.0 WATER CONNECTION DESIGN.....	8
5.1 Existing Site Conditions .....	9
5.2 Proposed Domestic Water Service.....	9
5.3 Proposed Fire Demand.....	9
5.4 Water Capacity Comments .....	10
6.0 EROSION AND SEDIMENT CONTROL .....	10
7.0 CONCLUSION AND LIMITATION OF REPORT .....	10
7.1 Stormwater Management .....	10
7.2 Sanitary Service .....	10
7.3 Water Service.....	10
8.0 Limitation.....	11

## **APPENDIX TABLE**

Appendix A – Stormwater Design

Appendix B – Sanitary Design

Appendix C – Watermain Design

Appendix D – Stormwater Underground Chamber & Stormwater Treatment Unit

Appendix E – Boundary Conditions

Appendix F – Engineering Drawings

## 1.0 INTRODUCTION

Blanchard Letendre Engineering Ltd. (BLEL) was retained by Bridor Development. to complete their site servicing and stormwater management for the new proposed site located at 2380 – 2396 Cleroux Crescent in Ottawa. This report summarized proposed site servicing and stormwater management and should be read in conjunction with the engineering drawings prepare by BLEL.

This report and site servicing plan have been prepared based on the site plan proposed by P-Square Concepts and the site survey completed by Annis O’Sullivan Vollebekk. The information contained herein is based on the provided drawings and if there is any discrepancy with the survey or site plan, BLEL should be informed in order to verify the information and complete the changes if required.

## 2.0 SITE PLAN

The proposed site is to be located in Orleans, Ontario. As per the aerial picture in figure 1, the existing site consist of and green space area with two (2) existing houses with garage that will be demolished prior to construction. The property located at 2380 – 2396 Cleroux Cres., consist of approximately 0.839ha of undeveloped land. The land will be developed with two (2) new residential apartments building with underground parking with shared entrance and parking.

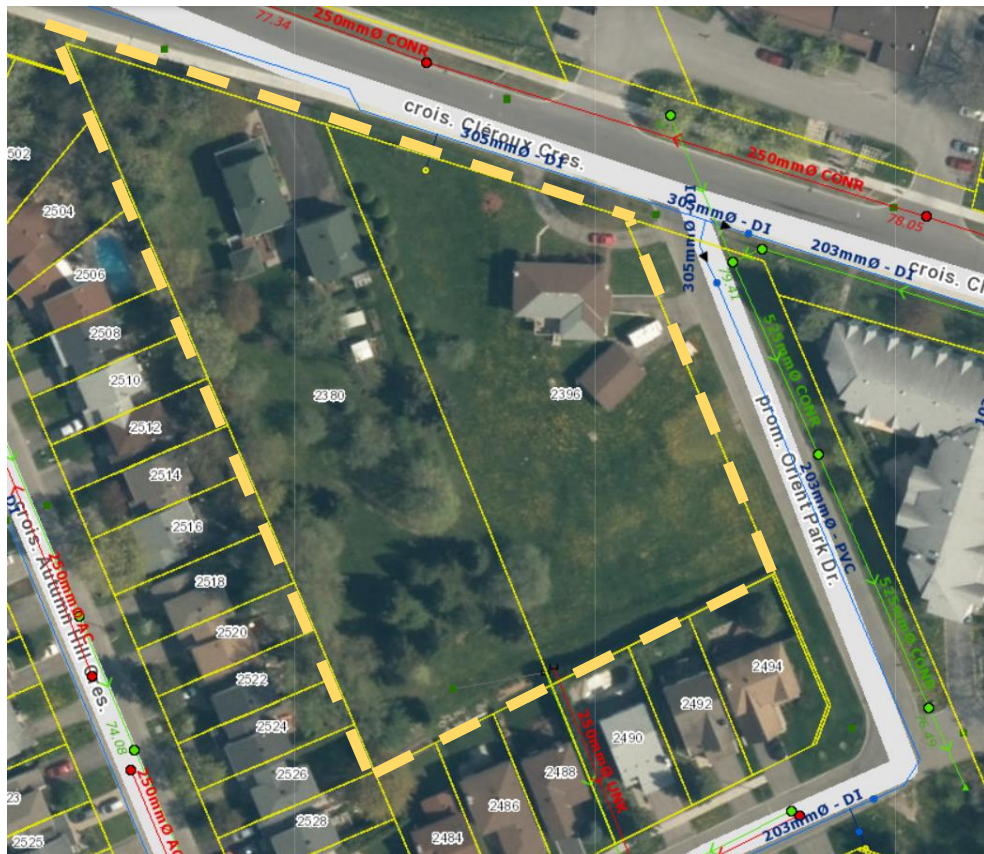


Figure 1- Existing site at 2380 - 2396 Cleroux Cres. Orleans, Ontario

## **3.0 STORM WATER MANAGEMENT**

### **3.1 Existing Site Condition**

The existing site currently has no stormwater management nor storm service connection. The site currently drains uncontrolled towards the surrounding roads, Cleroux Crescent and Orient Park as where the stormwater generated from the site is captured by the road site catchbasin. The south-west corner of the property drains uncontrolled towards the neighbouring backyards. An existing city catchbasin is installed in the corner with captures and conveys the stormwater towards the existing storm stub in the south easement. The existing property naturally grades south towards the existing neighbourhood backyard. There is an existing subdivision adjacent to property on the west and south portions. Refer to BL Engineering drawing C400 for the pre-development drainage area and existing grading showing the current drainage of the site.

### **3.2 Proposed Storm Water Management**

The development of the site will consist of constructing two (2) new three (3) storeys residential buildings. The site will be modified by adding two (2) new 1016 square meter building, asphalt parking and driving and amities areas. As the runoff coefficient will increase due to addition of hard surfaces, post-development stormwater quantity and quality will be implemented.

The site stormwater management has been prepared in correlation with the existing site grading. To minimize the fill and site work required, the stormwater management has been developed to follow the existing site grading. As the property naturally drains south towards the neighbour's backyard, the proposed site work has been prepared to limit the work at the south-west corner while maintaining the stormwater outlet to City storm sewer in the easement at the south end of the property. The overland flow route has also been designed to convey the storm runoff towards Oriental Park. By limiting the work at the south-west corner, where the biggest elevation drops occurs, the use of retaining walls near the neighbour's backyard won't be as intrusive.

The stormwater generated by the new hard surfaces will be directed to a series of catchbasins which will capture and covey the water runoff to existing the 300mm diameter storm sewer stub located in the easement at the south end portion of the property between 2492 and 2490 Orient Park Dr. The catchment areas have been delineated as per the proposed grading plan. Refer to Appendix 'A', for the catchment area and runoff coefficient. In order to respect the 5 year pre-development allowable release rate, the outlet will be controlled by a inlet control devise and limit the flow outletting to City storm sewer in the easement. By throttling the flow, stormwater retention will be completed with the use of underground storage which was designed to hold the 100 year storm event. Refer to Appendix 'A' for the stormwater flow and storage calculations.

### 3.3 Proposed Storm Water Management

The pre-development flow of the 5-year storm was calculated using a 5-year storm and a 10-minute time of concentration for the affected area. The pre-development flow of the 100-year storm was calculated using a 100-year storm and a 10-minute time of concentration for the affected area. From intensity duration curves established for the Ottawa area, the intensity was evaluated at of 104.2 mm/hr for the 5yr predevelopment flow and 178.6mm/hr for the 100-year predevelopment flow. A run-off coefficient of 0.50 was used as per the evaluated, see Appendix 'A' – Pre-Development Drainage Area table.

Using the Rational Method and considering the tributary areas of the proposed (see Appendix 'A'), the pre-development allowable release rate for the site was evaluated at **102.08 L/s**. See also the Storm Sewer Design Sheet in Appendix 'A'.

$$\begin{aligned}\text{Allowable Release Rate (Q)} &= 2.78CIA \text{ (L/s)} \\ I_5 &= 998.071 / (Tc + 6.053)^{0.814} \\ C &= 0.50 \\ I &= 104.2 \text{ mm/hr} \\ Tc &= 10 \text{ min} \\ \text{Total} &= 0.839 \text{ ha} \\ \text{Allowable Release Rate} &= 121.53 \text{ L/s}\end{aligned}$$

As the site will outlet to the existing storm sewer stub located in the easement between 2492 and 2490 Orient Park Dr., the existing 300mm diameter sewer stub previously installed only has a full flow capacity of 96.70 L/s. As the proposed site will have some underground chambers, the release rate was lowered to 50% of the allowable release rate. Therefore, the site total release rate has been designed to meet the maximum flow of **60.76 L/s** to the existing 300mm diameter storm stub on Oriental Park.

### 3.4 Proposed Stormwater Quantity Control

The proposed stormwater management for the site will be achieved primarily through the use of underground pipe storage and infiltration gallery. The grading of the site has been designed to direct the stormwater towards the series of catchbasins connected to the underground stormwater chambers before outleting south into the existing 300mm diameter storm city stubs that ultimately connect to the 375mm sewer on Orient Park Dr. The proposed underground stormwater chambers and catchbasins are shown on the attached drawings in Appendix 'E'.

The proposed site has been graded to outlet overland onto Oriental Park Dr. on the south-east side of the property. As the site naturally grades from the north side to the south side, the grades have been adjusted to suit this profile and minimize the grade raise of the site. All catchment areas were



designed to directed the stormwater overland to a series of catchbasins, landscaping drains and subdrains which will capture and convey the stormwater to Oriental Park Dr.

The stormwater generated from site will be discharged to the existing storm sewer stub on Orient Park Dr. and be controlled using orifices plates installed in manhole MHCB02 and the landscape catchbasin, LCB14, which will throttle the flow direct to the municipal sewer. The combined flow restrictors will release a total of **58.53 L/s** with a maximum head of 1.92m (HWL = 80.22) at MHCB02 and 0.86m (HWL = 76.65) at LCB14 during the 100 year event. As the flow will be restricted stormwater storage will be required. A total of 70.82m<sup>3</sup> is required for the watershed 05 and 175.65m<sup>3</sup> is for the remaining watersheds. This storage will be provided with underground stormwater chambers and infiltration gallery as the property natural slopes does not promote overland storage. The underground storage and infiltration gallery have been designed to hold and convey the stormwater water to the sewer located at in the easement on Oriental Park. Using a void area of 40% in the gravel, the infiltration gallery will provide a total of 73.8 m<sup>3</sup> and the underground chambers will provide 176 m<sup>3</sup> which will hold more than the required storage. Refer to the underground chambers in Appendix 'D'.

The two (2) underground parking ramp will be drained with separate catchbasin that will capture and convey the storm water generated from the ramps to the storm sewer downstream of the inlet control devices. These areas were left uncontrolled towards the city main stub.

### **3.4.1 Roof Drainage**

The proposed roofs are flat roof with roof drains. Drain and scuppers will be installed to drain the water onto the pavement area uncontrolled.

### **3.4.2 Underground Chambers**

The underground storage chambers have been designed to hold and convey the stormwater generated from area A1, A2, A3, A4, A6, A9 and A10. Area A6 is being captured by three landscape catchbasins and a subdrain. The underground chambers have been designed to hold the stormwater runoff under the proposed parking/ driving area. The chambers, which have been designed as per the manufacturer, were designed to also provide some filtration which is favorable for the final site TSS. A total of 176.00 m<sup>3</sup> will be provided by the underground chambers. The chambers will be connected to the proposed manhole catchbasin which will facilitates the maintenance of the chambers. The maintenance of the chambers is to be in accordance with the manufacture. Refer to Appendix "D" for Stormwater Storage Chambers.

### **3.4.3 Infiltration Gallery**

The infiltration gallery has been design to hold and convey the stormwater generated from the site area A5. The infiltration gallery has been designed to hold the stormwater runoff generated from the grass area that drains towards the adjacent property south. The infiltration gallery will have a total length of 82m and stretch all along the south portion of the property. The infiltration gallery volume was calculated using an area of 1.5m heigh by 1.5m wide with a void ration of 40%. A total of 73.80 m<sup>3</sup> will be provided by the infiltration gallery. The infiltration gallery will be connected to the proposed manhole catchbasin manhole MH01.

### 3.5 Proposed Stormwater Quality Control

A water quality control requirement of 80% TSS removal was set by the City of Ottawa. In order to meet the requirements, a storm treatment unit will be installed and the downstream end of the system. Using the Stormceptor sizing software, the EF06 was selected. The software generated report has been attached (See Appendix "D").

## 4.0 SANITARY SEWER DESIGN

### 4.1 Existing Site Conditions

The existing site is currently being service by a two separate residential service connected to the the houses on the two parcels which are connected to the existing 250mm diameter sanitary on Cleroux Crescent. The existing connection will be abandoned at the property line as the new connections will be completed at the north end portion of the property where and existing sanitary stub was previously installed in the city right away between 2492 and 2490 Orient Park Dr.

### 4.2 Existing Site Conditions

The two new residential apartment building, which proposes 40 units each will discharge to the city main sewer stub on Orient Park Dr. via two new 150mm diameter sanitary services connected to the 200mm diameter sewer proposed between the two new buildings. The services will be discharged into the new sewer before being conveyed north to the existing 250mm diameter sanitary stub in the city easement between 2492 and 2490 Orient Park Dr. The proposed 150mm diameter service will be installed at a minimum of 1.00% slope directly to the new private sewer. A monitoring manhole is proposed at the sanitary stub which will also be a drop structure considering the change in elevation on the property. Refer to drawing C300 – Site Servicing Plan for the existing and proposed sanitary service.

Based on the City of Ottawa Sanitary Design Guidelines, the sanitary peak loads were evaluated as follow; Block A: **1.15 L/s** and Block B: **1.12L/s** for a total of **2.27 L/s** which is below the allowable flow of 7.0L/s as per the City of Ottawa property boundaries. As per the City specific design parameters, the sanitary flow was evaluated based on the new building footprint and the total site area for each individual building. Refer to Appendix 'B' for the sanitary sewer design calculation and design parameters set by the City of Ottawa.

## 5.0 WATER CONNECTION DESIGN

## 5.1 Existing Site Conditions

The existing site is currently being service by a two separate 19mm diameter water service which services the existing two houses on the parcels and are connected to the existing 305mm diameter watermain on Cleroux Crescent. The existing connection will be removed and where two new connection will be installed to service the two new buildings. There is currently two (2) city fire hydrant, one (1) at the south façade of the property and the other at the north-west. The hydrants on south is located on the north side of Cleroux Crescent and the other is located on the north side of Orient Park Dr, both within the 90m radius from the building entrance. Refer to drawing C300 – Site Servicing Plan for the existing and proposed water services and city existing infrastructure.

## 5.2 Proposed Domestic Water Service

The new residential apartment buildings water services were sized based on the City of Ottawa Design Guidelines and the AWWA Standards. Based on the number of fixtures proposed and on the average water demand for residential developments the daily water consumption was evaluated for the proposed building. As per the city guidelines, the average water demand per person of **350L/c/d** was applied to the population of the new building. The daily and hourly peak factor of **2.5** and **2.2** respectively were applied to the water demand as stated in the City of Ottawa guideline. By using the average demand and peaking factors, the daily water demand for the new buildings were evaluated as follow:

	BLOCK A	BLOCK B	UNITS
<b>Average Water Demand =</b>	22050.00	22540.00	L/d
<b>Maximum Daily =</b>	55125.00	56350.50	L/d
<b>Maximum Hourly =</b>	121275.00	123970.50	L/d
<b>Total Domestic Flow =</b>	<b>1.40</b>	<b>1.43</b>	<b>L/s</b>
<b>Total Fire Flow =</b>	<b>166.67</b>	<b>161.67</b>	<b>L/s</b>

Refer to Appendix ‘C’ for the water flow calculation sheet.

The proposed buildings will be serviced with a new 100mm water service that will be connected to the existing 305mm watermain on Cleroux Crescent. The two new building will be connected to the new 100mm service via separate 50mm diameter water service. Each service will connect into the proposed mechanical room of the buildings. As per the City standard, two water service will be teed off the existing watermain on Cleroux with an isolation valve in between to allow maintenance on the city watermain without interrupting the water for the site.

## 5.3 Proposed Fire Demand

As the new residential buildings will not have a sprinkler system, the new services were sized to supply only the domestic flow. Based on the Ontario building code calculations, the water flow

was evaluated at **166.67L/s** for Block A and **161.67L/s** for Block B. Refer to Appendix 'C' for the fire flow calculation sheet. As there is two existing water hydrants located within the 90m radius from the building main entrances, there will be no new private hydrant installed on the property.

## 5.4 Water Capacity Comments

The boundary conditions and HGL for hydraulic analysis for 2396 Cleroux Crescent was obtained from the city. See attached copy in Appendix 'E'. From the boundary conditions, the minimum HGL was evaluated at 131.0 m for the water main elevation at 83.2m and a maximum pressure estimate of 67.8 psi.

## 6.0 EROSION AND SEDIMENT CONTROL

During the construction, sediment and erosion protect will be implemented around the property to prevent any sediments from leaching off site. The construction and maintenance of the sediment controls must comply with the Ontario Provision Standard Specification OPSS 577. Refer to drawing C100 – Erosion and Sediment Control for the perimeter fence proposed.

## 7.0 CONCLUSION AND LIMITATION OF REPORT

### 7.1 Stormwater Management

The stormwater management proposed for the site will maintain the site to its pre-development release rate conditions and meet the requirements from the City of Ottawa. The post development release rate will be maintained to its pre-development rate of **60.76 L/s** through flow restrictors installed in the sewers before outletting to the sewer main on Oriental Park. Stormwater quantity control will be achieved with 176m<sup>3</sup> of underground chamber and 73.8 m<sup>3</sup> in the infiltration gallery. The stormwater quality control will be met through the use of a stormwater treatment unit and isolator rows in the underground chambers.

### 7.2 Sanitary Service

The current site will be serviced with three new 200mm sanitary sewer located in the easement south of the property. The estimated sanitary flow of; Block A: **1.15 L/s** and Block B: **1.12L/s** a for the new connections will be directed to the existing sanitary sewer along the easement of Oriental Park.

### 7.3 Water Service

Currently the existing buildings on site are serviced with an existing 19mm diameter water service that will be replaced with a 100mm diameter water services to connected to the existing 305mm diameter main on Cleroux Crescent. The existing connections will be removed. The water demand for building was evaluated at: Block A: **1.40 L/s** and Block B: **1.43L/s** and the fire flow demand

at Block A: **166.67 L/s** and Block B: **161.67 L/s**. Sprinkler system are not proposed for the site. There is also two (2) fire located around the property within 90m from every entrance doors.

## 8.0 LIMITATION

This report was prepared for **Bridor Development.**, and is only applicable for the property at 2380-2396 Cleroux Crescent, Ottawa.

Any changes to the existing site may require a review by Blanchard Letendre engineering Ltd. to ensure all information is consistent with the proposed design.

Should you have any questions, please do not hesitate to contact the undersigned.

Sincerely Yours,



Guillaume Brunet, P. Eng.

# APPENDIX “A”

## Stormwater Management Design

<b>File No.</b>	20-305	<b>Date:</b>	May 5, 2022
<b>Project:</b>	Proposed Apartment Buildings	<b>Designed:</b>	Guillaume Brunet
<b>Project Address:</b>	2396 Cleroux Crescent, Ottawa	<b>Checked:</b>	Guillaume Brunet
<b>Client:</b>	Bridor Development	<b>Drawing Reference:</b>	C200 & C300

PRE-DEVELOPMENT DRAINAGE AREA (AFFECTED AREA)

Catchment Area	Runoff Coefficient			Total Area (ha)	Combined C
	C = 0.3	C = 0.80	C = 0.90		
E-01	0.671	0.000	0.168	0.839	0.42
TOTAL	0.671	0.000	0.168	0.839	0.42

POST-DEVELOPMENT DRAINAGE AREA

Catchment Area	Runoff Coefficient			Total Area (ha)	Combined C
	C = 0.30	C = 0.80	C = 0.90		
WS-01	0.074	0.000	0.011	0.085	0.38
WS-02	0.033	0.000	0.070	0.103	0.71
WS-03	0.021	0.000	0.060	0.081	0.74
WS-04	0.015	0.000	0.063	0.078	0.78
WS-05	0.200	0.000	0.020	0.220	0.35
WS-06	0.052	0.000	0.000	0.052	0.30
WS-07- Ramp	0.000	0.000	0.005	0.005	0.90
WS-08 - Ramp	0.000	0.000	0.013	0.013	0.90
WS-09 - Roof	0.000	0.000	0.102	0.102	0.90
WS-10 - Roof	0.000	0.000	0.102	0.102	0.90
TOTAL	0.395	0.000	0.444	0.839	0.62

RUNOFF COEFFICIENT (C)

Grass	0.30
Gravel	0.80
Asphalt / rooftop	0.90

**File No.** 20-305  
**Project:** Proposed Apartment Buildings  
**Project Address:** 2396 Cleroux Crescent, Ottawa  
**Client:** Bridor Development

**Date:** May 5, 2022  
**Designed:** Guillaume Brunet  
**Checked:** Guillaume Brunet  
**Drawing Reference:** C200 & C300

**STORM WATER MANAGEMENT DESIGN SHEET**  
**SEWER DESIGN**

LOCATION		AREA (ha)			FLOW					STORM SEWER DATA								
WATERSHED / STREET	From MH	To MH	C = 0.30	C = 0.80	C = 0.90	Indiv. 2.78AC	Accum. 2.78AC	Time of Conc. (min.)	Rainfall Intensity (mm/hr)	Peak Flow Q (l/s)	Pipe Diameter (mm)	Type	Slope (%)	Length (m)	Capacity Full (L/s)	Velocity Full (m/s)	Time of Flow (min.)	Ratio (Q/Q <sub>FULL</sub> )
WS-06	LCB10	MHCB08	0.052	0.000	0.000	0.03	0.03	10.00	104.19	3.01	250	PVC	0.40%	20.8	37.6	0.77	0.45	0.08
	MHCB08	MHCB02	0.000	0.000	0.000	0.00	0.03	10.45	101.86	2.95	250	PVC	1.00%	16.0	59.47	1.21	0.22	0.05
	LCB13	MHCB06	0.000	0.000	0.000	0.00	0.00	10.00	104.19	0.00	250	PVC	0.40%	18.0	37.6	0.77	0.39	0.00
WS-01	LCB12	LCB07	0.000	0.000	0.000	0.00	0.00	10.00	104.19	0.00	250	PVC	0.25%	31.0	29.73	0.61	0.85	0.00
	LCB07	MHCB06	0.074	0.000	0.011	0.07	0.07	10.85	99.89	6.83	250	PVC	0.40%	15.5	37.61	0.77	0.34	0.18
	MHCB06	MHCB05	0.000	0.000	0.000	0.00	0.07	11.19	98.30	6.72	250	PVC	1.00%	19.3	59.47	1.21	0.27	0.11
WS-02 + WS-10	MHCB05	MHCB04	0.033	0.000	0.172	0.45	0.52	11.46	97.09	50.18	250	PVC	1.00%	14.7	59.5	1.21	0.20	0.84
WS-03 + WS-09	MHCB04	MHCB03	0.021	0.000	0.162	0.42	0.93	11.66	96.18	89.70	450	PVC	0.25%	21.0	142.6	0.90	0.39	0.63
WS-04	MHCB03	MHCB02	0.015	0.000	0.063	0.17	1.10	12.05	94.49	103.80	450	PVC	0.25%	21.5	142.55	0.90	0.40	0.73
	MHCB02	MHCB01	0.000	0.000	0.000	0.00	1.10	12.45	92.82	101.97	450	PVC	1.00%	7.6	285.11	1.79	0.07	0.36
WS-05	LCB14	MHCB01	0.200	0.000	0.020	0.16	1.29	12.52	92.54	119.25	250	PVC	1.00%	9.2	59.47	1.21	0.13	2.01
	MHCB01	STORMCEPTOR	0.000	0.000	0.000	0.00	1.29	12.65	92.03	118.59	300	PVC	1.00%	3.2	96.70	1.37	0.04	1.23
	STORMCEPTOR	CITY	0.000	0.000	0.000	0.00	1.29	12.68	91.87	118.39	300	PVC	1.00%	16.1	96.7	1.37	0.20	1.22

DESIGN PARAMETERS NOTES

Runoff Coefficient (C)  
 Grass 0.30  
 Gravel 0.80  
 Asphalt / rooftop 0.90

Q = 2.78 AIC, where  
 Q = Peak flow in Litres per second (L/s)  
 A = Area in hectares (ha)  
 I = Rainfall Intensity (mm/hr)  
 C = Runoff Coefficient

Ottawa Macdonald-Cartier International Airport IDF curve  
 $I_t = 998.071 / (T_c + 6.053)^{0.814}$   
 Min. velocity = 0.76 m/s  
 Manning's "n" = 0.013  
 \* From City of Ottawa Stub in Easement



**File No.** 20-305  
**Project:** Proposed Apartment Buildings  
**Project Address:** 2396 Cleroux Crescent, Ottawa  
**Client:** Bridor Development

**Date:** May 5, 2022  
**Designed:** Guillaume Brunet  
**Checked:** Guillaume Brunet  
**Drawing Reference:** C200 & C300

**STORM WATER MANAGEMENT DESIGN SHEET**  
**SEWER DESIGN**

LOCATION		MANHOLE INFORMATION						
From MH	To MH	Up Invert (m)	Down Invert (m)	T/G Up Stream (m)	T/G Down Stream	Up Depth obv (m)	Down Depth obv (m)	Up Depth inv (m)
LCB10	MHCB08	78.54	78.45	81.80	80.20	3.01	1.50	3.01
MHCB08	MHCB02	78.21	78.05	80.20	80.71	1.74	2.41	1.74
LCB13	MHCB06	80.37	80.29	82.42	82.75	1.80	2.21	1.80
LCB12	LCB07	81.23	81.16	82.40	82.60	0.92	1.19	0.92
LCB07	MHCB06	80.36	80.29	82.60	82.75	1.99	2.21	1.99
MHCB06	MHCB05	80.09	79.90	82.75	82.20	2.41	2.05	2.41
MHCB05	MHCB04	79.62	79.42	82.20	81.90	2.33	2.23	2.33
MHCB04	MHCB03	78.46	78.41	81.90	81.30	2.99	2.44	3.19
MHCB03	MHCB02	78.35	78.30	81.30	80.71	2.50	1.96	2.50
MHCB02	MHCB01	76.08	76.00	80.71	78.20	4.18	1.75	4.18
LCB14	MHCB01	75.24	75.15	76.65	78.20	1.16	2.80	1.41
MHCB01	STORMCEPTOR	74.91	74.88	78.20	78.00	2.99	2.82	3.29
STORMCEPTOR	CITY	74.82	74.73	78.00	77.40	2.88	2.37	2.88

File No.	20-305	Date:	May 5, 2022
Project:	Proposed Apartment Buildings	Designed:	Guillaume Brunet
Project Address:	2396 Cleroux Crescent, Ottawa	Checked:	Guillaume Brunet
Client:	Bridor Development	Drawing Reference:	C200 & C300

**STORM WATER MANAGEMENT DESIGN SHEET**  
**5 YEAR STORM EVENT**

**PRE-DEVELOPMENT STORMWATER MANAGEMENT**

Runoff	Catchment Area	Area		$\Sigma R_s$
Un-Controlled	EWS-01	0.839	ha	R= 0.42
	<b>Total Uncontrolled =</b>	<b>0.839</b>	<b>ha</b>	<b><math>\Sigma R = 0.42</math></b>

**PRE-DEVELOPMENT ALLOWABLE RELEASE RATE**

$Q = 2.78CIA \text{ (L/s)}$

$I_s = 998.071 / (T_c + 6.053)^{0.814}$

C =	0.50	up to a maximum of 0.5 as per City of Ottawa Sewer Design Guidelines
I =	104.2	mm/hr
T <sub>c</sub> =	10	min
Total =	0.839	ha
<b>Allowable Release Rate=</b>	<b>121.53</b>	<b>L/s</b>

**Allowable Release Rate= 96.70 L/s** \* As per City 300mm Diameter Stub installed at 1.00%

**Allowable Release Rate= 60.76 L/s** \* 50% of Pre-Development Flow due to underground storage

**POST-DEVELOPMENT STORMWATER MANAGEMENT**

Runoff	Catchment Area	Area		$\Sigma R_s$	$\Sigma R_{100}$
Controlled	WS-01	0.085	ha	R= 0.38	0.47
	WS-02	0.103	ha	R= 0.71	0.89
	WS-03	0.081	ha	R= 0.74	0.93
	WS-04	0.078	ha	R= 0.78	0.98
	WS-05	0.220	ha	R= 0.35	0.44
	WS-06	0.052	ha	R= 0.30	0.38
	WS-09 - Roof	0.102	ha	R= 0.90	1.00
	WS-10 - Roof	0.102	ha	R= 0.90	1.00
	<b>Total Controlled =</b>	<b>0.822</b>	<b>ha</b>	<b><math>\Sigma R = 0.61</math></b>	<b>0.73</b>
	Un-controlled	WS-07 - Ramp	0.005	ha	R= 0.90
WS-08 - Ramp		0.013	ha	R= 0.90	1.00
<b>Total Un-Controlled =</b>		<b>0.017</b>	<b>ha</b>	<b><math>\Sigma R = 0.90</math></b>	<b>1.00</b>

$I_s = 998.071 / (T_c + 6.053)^{0.814}$

\* WS-09 will not be accounted for as it will remain unaffected

Time (min)	Intensity (mm/hr)	REQUIRED STORAGE (A1, A2, A3, A4, A6, A9, A10)			REQUIRED STORAGE (A5)			Uncontrolled Runoff (L/s)	Total Release Rate (L/s)
		Controlled Runoff (L/s)	Storage Volume (m <sup>3</sup> )	Controlled Release Rate (L/s)	Controlled Runoff (L/s)	Storage Volume (m <sup>3</sup> )	Controlled Release Rate (L/s)		
10	104.2	127.97	64.78	20.00	28.24	0.00	39.46	1.30	60.76
15	83.6	102.63	74.37	20.00	22.65	0.00	39.46	1.05	21.05
20	70.3	86.29	79.54	20.00	19.04	0.00	39.46	0.88	20.88
25	60.9	74.80	82.19	20.00	16.51	0.00	39.46	0.76	20.76
30	53.9	66.24	83.22	20.00	14.62	0.00	39.46	0.67	20.67
35	48.5	59.59	83.14	20.00	13.15	0.00	39.46	0.61	20.61
40	44.2	54.27	82.25	20.00	11.98	0.00	39.46	0.55	20.55
45	40.6	49.90	80.73	20.00	11.01	0.00	39.46	0.51	20.51
50	37.7	46.25	78.74	20.00	10.21	0.00	39.46	0.47	20.47
60	32.9	40.46	73.66	20.00	8.93	0.00	39.46	0.41	20.41
70	29.4	36.08	67.52	20.00	7.96	0.00	39.46	0.37	20.37
80	26.6	32.62	60.60	20.00	7.20	0.00	39.46	0.33	20.33
90	24.3	29.83	53.09	20.00	6.58	0.00	39.46	0.30	20.30
500	6.3	7.71	0.00	20.00	1.70	0.00	39.46	0.08	20.08
720	4.7	5.75	0.00	20.00	1.27	0.00	39.46	0.06	20.06
1440	2.7	3.28	0.00	20.00	0.72	0.00	39.46	0.03	20.03

Storage Volume = (Controlled Runoff - Controlled RR)/1000 \* (Time\*60s)

**STORMWATER STORAGE REQUIREMENTS**

Total Storage Required =	83.22 m <sup>3</sup>
Underground Chambers =	176.00 m <sup>3</sup>
<b>Total Available Storage =</b>	<b>175.00 m<sup>3</sup></b>

Total Storage Required =	0.00 m <sup>3</sup>
Infiltration Gallery =	73.80 m <sup>3</sup>
<b>Total Available Storage =</b>	<b>73.80 m<sup>3</sup></b>

**Inlet Control Device Parameters**

<b>Product Orifice Plate</b>	at MHCB 02
Invert Level = 78.30	masl.
HWL = 1.92	m from inv.
HWL = 80.22	masl.
Orifice Dia. = 82	mm
Orifice Invert = 78.30	masl.
Orifice Area = 0.0053	m <sup>2</sup>
ICD Centerline = 78.45	masl.
HWL Head = 1.91	m from centerline
C = 0.61	
Controlled Release = 20.00	L/s

**Inlet Control Device Parameters**

<b>Product Orifice Plate</b>	at LCB14
Invert Level = 75.74	masl.
HWL = 0.86	m from inv.
HWL = 76.60	masl.
Orifice Dia. = 142	mm
Orifice Invert = 75.74	masl.
Orifice Area = 0.0158	m <sup>2</sup>
ICD Centerline = 75.89	masl.
HWL Head = 0.84	m from centerline
C = 0.61	
Controlled Release = 39.46	L/s

File No. 20-305  
Project: Proposed Apartment Buildings  
Project Address: 2396 Cleroux Crescent, Ottawa  
Client: Bridor Development

Date: May 5, 2022  
Designed: Guillaume Brunet  
Checked: Guillaume Brunet  
Drawing Reference: C200 & C300

**STORM WATER MANAGEMENT DESIGN SHEET  
100 YEAR STORM EVENT**

**PRE-DEVELOPMENT STORMWATER MANAGEMENT**

Runoff	Catchment Area	Area		R=	ΣR <sub>s</sub>
Un-Controlled	EWS-01	0.839	ha	R=	0.42
	<b>Total Uncontrolled =</b>	<b>0.839</b>	<b>ha</b>	<b>Σ R=</b>	<b>0.42</b>

**PRE-DEVELOPMENT ALLOWABLE RELEASE RATE**

$Q = 2.78CIA \text{ (L/s)}$

$I_s = 998.071 / (Tc + 6.053)^{0.814}$

C = 0.50 up to a maximum of 0.5 as per City of Ottawa Sewer Design Guidelines  
I = 104.2 mm/hr  
Tc = 10 min  
Total = 0.839 ha  
**Allowable Release Rate = 121.53 L/s**

**Release Rate = 96.70 L/s** \* As per City 300mm Diameter Stub installed at 1.00%

**Allowable Release Rate = 60.76 L/s** \* 50% of Pre-Development Flow due to underground storage

**POST-DEVELOPMENT STORMWATER MANAGEMENT**

Runoff	Catchment Area	Area		R=	ΣR <sub>s</sub>	ΣR <sub>100</sub>
Controlled	WS-01	0.085	ha	R=	0.38	0.47
	WS-02	0.103	ha	R=	0.71	0.89
	WS-03	0.081	ha	R=	0.74	0.93
	WS-04	0.078	ha	R=	0.78	0.98
	WS-05	0.220	ha	R=	0.35	0.44
	WS-06	0.052	ha	R=	0.30	0.38
	WS-09 - Roof	0.102	ha	R=	0.90	1.00
	WS-10 - Roof	0.102	ha	R=	0.90	1.00
	<b>Total Controlled =</b>	<b>0.822</b>	<b>ha</b>	<b>Σ R=</b>	<b>0.61</b>	<b>0.73</b>
Un-controlled	WS-07 - Ramp	0.005	ha	R=	0.90	1.00
	WS-08 - Ramp	0.013	ha	R=	0.90	1.00
	<b>Total Un-Controlled =</b>	<b>0.017</b>	<b>ha</b>	<b>Σ R=</b>	<b>0.90</b>	<b>1.00</b>

$I_{100} = 1735.688 / (Tc + 6.014)^{0.820}$

Time (min)	Intensity (mm/hr)	REQUIRED STORAGE (A1, A2, A3, A4, A6, A9, A10)			REQUIRED STORAGE (A5)			Uncontrolled Runoff (L/s)	Total Release Rate (L/s)
		Controlled Runoff (L/s)	Storage Volume (m <sup>3</sup> )	Controlled Release Rate (L/s)	Controlled Runoff (L/s)	Storage Volume (m <sup>3</sup> )	Controlled Release Rate (L/s)		
10	178.6	219.31	119.59	20.00	48.40	70.82	38.53	2.23	60.76
15	142.9	175.51	139.96	20.00	38.73	1.70	38.53	1.79	21.79
20	120.0	147.33	152.79	20.00	32.51	0.00	38.53	1.50	21.50
25	103.8	127.55	161.32	20.00	28.15	0.00	38.53	1.30	21.30
30	91.9	112.84	167.11	20.00	24.90	0.00	38.53	1.15	21.15
35	82.6	101.43	171.00	20.00	22.38	0.00	38.53	1.03	21.03
40	75.1	92.30	173.51	20.00	20.37	0.00	38.53	0.94	20.94
45	69.1	84.81	174.99	20.00	18.72	0.00	38.53	0.86	20.86
50	64.0	78.55	175.65	20.00	17.33	0.00	38.53	0.80	20.80
60	55.9	68.65	175.15	20.00	15.15	0.00	38.53	0.70	20.70
90	41.1	50.49	164.67	20.00	11.14	0.00	38.53	0.51	20.51
120	32.9	40.40	146.90	20.00	8.92	0.00	38.53	0.41	20.41
360	13.7	16.85	0.00	20.00	3.72	0.00	38.53	0.17	20.17
500	10.5	12.92	0.00	20.00	2.85	0.00	38.53	0.13	20.13
720	7.8	9.61	0.00	20.00	2.12	0.00	38.53	0.10	20.10

**Storage Volume = (Controlled Runoff - Controlled RR)/1000 \* (Time\*60s)**

**STORMWATER STORAGE REQUIREMENTS**

Total Storage Required = 175.65 m<sup>3</sup>  
Underground Chambers = 176.00 m<sup>3</sup>  
Total Available Storage = 175.00 m<sup>3</sup>

Total Storage Required = 70.82 m<sup>3</sup>  
Infiltration Gallery = 73.80 m<sup>3</sup>  
Total Available Storage = 73.80 m<sup>3</sup>

**Inlet Control Device Parameters**

**Product Orifice Plate** at MHCB 02  
Invert Level = 78.30 masl.  
HWL = 1.92 m from inv.  
HWL = 80.22 masl.  
Orifice Dia. = 82 mm  
Orifice Invert = 78.30 masl.  
Orifice Area = 0.0053 m<sup>2</sup>  
ICD Centerline = 78.45 masl.  
HWL Head = 1.91 m from centerline  
C = 0.61  
Controlled Release = 20.00 L/s

**Inlet Control Device Parameters**

**Product Orifice Plate** at LCB14  
Invert Level = 75.74 masl.  
HWL = 0.86 m from inv.  
HWL = 76.60 masl.  
Orifice Dia. = 142 mm  
Orifice Invert = 75.74 masl.  
Orifice Area = 0.0158 m<sup>2</sup>  
ICD Centerline = 75.89 masl.  
HWL Head = 0.84 m from centerline  
C = 0.61  
Controlled Release = 39.46 L/s

# APPENDIX “B”

## Sanitary Design

**File No.** 20-305  
**Project:** Proposed Apartment Buildings  
**Project Address:** 2396 Cleroux Crescent, Ottawa  
**Client:** Bridor Development

**Date:** May 5, 2022  
**Designed:** Guillaume Brunet  
**Checked:** Guillaume Brunet  
**Drawing Reference:** C200 & C300

**SANITARY DESIGN SHEET**  
**SEWER DESIGN**

LOCATION			RESIDENTIAL AREA AND POPULATION						COMMERCIAL		INDUSTRIAL			INSTITUTIONAL		C+I+I	INFILTRATION			TOTAL FLOW (l/s)	PIPE					MANHOLE		
STREET	FROM MH	TO MH	AREA (Ha)	POP.	CUMMULATIVE		PEAK FLOW (l/s)	PEAK FLOW (l/s)	AREA (Ha)	ACCU. AREA (Ha)	AREA (Ha)	ACCU. AREA (Ha)	PEAK FLOW (l/s)	AREA (Ha)	ACCU. AREA (Ha)	PEAK FLOW (l/s)	TOTAL AREA (Ha)	ACCU. AREA (Ha)	INFILT. FLOW (l/s)		LENGTH (m)	DIA. (mm)	MATERAIL	SLOPE (%)	CAP. (FULL) (l/s)	VEL. (FULL) (m/s)	UP INVERT (m)	DOWN INVERT (m)
SITE	PROP. BLDG A	SAN MH02	0.450	63.0	0.45	63.0	4.0	1.02	0.000	0.000	0.00	0.00	7.0	0.0	0.0	0.00	0.45	0.45	0.13	1.15	8.4	150	PVC	2.00%	21.54	1.22	78.67	78.50
SITE	PROP. BLDG B	SAN MH02	0.389	62.3	0.39	62.3	4.0	1.01	0.000	0.000	0.00	0.00	7.0	0.0	0.0	0.00	0.39	0.39	0.11	1.12	17.4	150	PVC	2.00%	21.54	1.22	78.85	78.50
	SAN MH02	SAN MH01	0.000	0.0	0.84	125.3	4.0	2.03	0.000	0.000	0.00	0.00	7.0	0.0	0.0	0.00	0.00	0.84	0.23	2.27	65.3	200	PVC	1.20%	35.93	1.14	76.38	75.60

DESIGN PARAMETERS NOTES

Average Daily Flow = 350 L/p/day  
 Commercial and Institutional Flow = 50000 L/ha/da  
 Industrial Flow = 35000.00 L/ha/da  
 Maximum Residential Peak Flow = 4  
 Connection and Institutional Peak Factor = 1.5

Industrial Peak Factor = 7 as per Appendix 4-B  
 Extraneous Flow = 0.28 L/s/ha  
 Minimum Velocity = 0.76 m/s  
 Mannings n = 0.013

**Appartments:**  
 Bachelor = 1.4  
 1 Bedroom = 1.4      30      28  
 2 Bedroom = 2.1      10      12  
 3 Bedroom = 3.1

# APPENDIX “C”

## Watermain Design

<b>File No.</b>	20-305	<b>Date:</b>	19/03/2021
<b>Project:</b>	Proposed Apartment Buildings	<b>Designed:</b>	Guillaume Brunet
<b>Project Address:</b>	2396 Cleroux Crescent, Ottawa	<b>Checked:</b>	Guillaume Brunet
<b>Client:</b>	Bridor Development	<b>Drawing Reference:</b>	C200 & C300

WATER CONSUMPTION CALCULATION

	BLOCK A	BLOCK B	
Total Building Floor Area =	<b>1016</b>	<b>1016</b>	m <sup>2</sup>
Site Total Area =	<b>0.4195</b>	<b>0.4195</b>	ha
Total Population =	63.00	64.40	ea.
Average Demand Per People =	350	350	L/c/d
<b>Average Water Demand =</b>	<b>22050.00</b>	<b>22540.00</b>	L/d
Maximum Daily Peak Factor =	2.5	2.5	* As per City of Ottawa
<b>Maximum Daily Residential =</b>	<b>55125.00</b>	<b>56350.00</b>	L/d
Maximum Hourly Peak Factor =	2.2	2.2	* As per City of Ottawa
<b>Maximum Hourly Residential =</b>	<b>121275.00</b>	<b>123970.00</b>	L/d
<b>Total Domestic Flow =</b>	<b>1.40</b>	<b>1.43</b>	L/s
<b>Total Fire Flow =</b>	<b>166.67</b>	<b>161.67</b>	L/s

Apartments:	Person Per Unit	Building A	Building B
Bachelor =	1.4	0	0
1 Bedroom =	1.4	30	28
2 Bedroom =	2.1	10	12
3 Bedroom =	3.1	0	0
		<b>63.00</b>	<b>64.40</b>

BLOCK A	1 Bedroom	2 Bedroom	Unit Counts	WSFU	Total
Unrinal Flush Tank	1	1	40	2	80
Sinks	2	2	80	1	80
Bathub	1	1	40	4	160
Diswasher	1	1	40	1.5	60
Washing Machine	1	1	40	2	80
<b>Total</b>					<b>460</b>

BLOCK B	1 Bedroom	2 Bedroom	Unit Counts	WSFU	Total
Unrinal Flush Tank	1	1	40	2	80
Sinks	2	2	80	1	80
Bathub	1	1	40	4	160
Diswasher	1	1	40	1.5	60
Washing Machine	1	1	40	2	80
<b>Total</b>					<b>460</b>

<b>File No.</b>	20-305	<b>Date:</b>	18/02/2021
<b>Project:</b>	Proposed Apartment Buildings	<b>Designed:</b>	Guillaume Brunet
<b>Project Address:</b>	2396 Cleroux Crescent, Ottawa	<b>Checked:</b>	Guillaume Brunet
<b>Client:</b>	Bridor Development	<b>Drawing Reference:</b>	C200 & C300

**BLOCK A**

Term	Options	Multiplier	Choose:	Value	unit	Fire Flow		
Coefficient C related to the type of construction	Wood Frame	1.5	Non-combustible construction	0.8				
	Ordinary Construction	1.0						
	Non-combustible construction	0.8						
	Fire resistive construction <2 hrs	0.7						
	Fire resistive construction >2 hrs	0.6						
Type of housing	Single family dwelling	0	Building - no. of units per floor	14	unit			
	Townhouse - no. of units	0						
	Building - no. of units per floor	0						
	Number of floors excluding the basement						3	floor
	Floor space per unit	1					1,016	1,016
Required fire flow	<b>Fire Flow = 220 x C x Area<sup>0.5</sup></b>				L/min	<b>9,717</b>		
					L/s	162		
Occupancy hazard reduction or surcharge	Non-combustible	-0.25	Limited combustible	-0.15				
	Limited combustible	-0.15						
	Combustible	0						
	Free burning	0.15					L/min	<b>8,259</b>
	Rapid burning	0.25					L/s	138
Sprinkler reduction	Sprinklers (NFPA13)	-0.30	False	0				
	Water supply is standard for both the system and fire department hose lines	-0.10	False	0	L/min	<b>7,433</b>		
	Fully supervised system	-0.10	True	-0.1	L/s	124		
Exposure distance between units	North side	Over 45m	0					
	East side	20.1 to 30m	0.1					
	South side	20.1 to 30m	0.1		L/min	<b>10,035</b>		
	West side	10.1 to 20m	0.15	0.35	L/s	167		
Minimum required fire flow rate (rounded to nearest 100)					L/min	<b>10,000</b>		
Minimum required fire flow rate					L/s	<b>167</b>		
Required duration of fire flow					min	<b>30</b>		



<b>File No.</b>	20-305	<b>Date:</b>	19/03/2021
<b>Project:</b>	Proposed Apartment Buildings	<b>Designed:</b>	Guillaume Brunet
<b>Project Address:</b>	2396 Cleroux Crescent, Ottawa	<b>Checked:</b>	Guillaume Brunet
<b>Client:</b>	Bridor Development	<b>Drawing Reference:</b>	C200 & C300

**BLOCK B**

Term	Options	Multiplier	Choose:	Value	unit	Fire Flow		
Coefficient C related to the type of construction	Wood Frame	1.5	Non-combustible construction	0.8				
	Ordinary Construction	1.0						
	Non-combustible construction	0.8						
	Fire resistive construction <2 hrs	0.7						
	Fire resistive construction >2 hrs	0.6						
Type of housing	Single family dwelling	0	Building - no. of units per floor	14	unit			
	Townhouse - no. of units	0						
	Building - no. of units per floor	0						
	Number of floors excluding the basement						3	floor
	Floor space per unit	1					1,016	1,016
Required fire flow	<b>Fire Flow = 220 x C x Area<sup>0.5</sup></b>				L/min	<b>9,717</b>		
					L/s	162		
Occupancy hazard reduction or surcharge	Non-combustible	-0.25	Limited combustible	-0.15				
	Limited combustible	-0.15						
	Combustible	0						
	Free burning	0.15					L/min	<b>8,259</b>
	Rapid burning	0.25					L/s	138
Sprinkler reduction	Sprinklers (NFPA13)	-0.30	False	0				
	Water supply is standard for both the system and fire department hose lines	-0.10	False	0	L/min	<b>7,433</b>		
	Fully supervised system	-0.10	True	-0.1	L/s	124		
Exposure distance between units	North side	Over 45m	0					
	East side	20.1 to 30m	0.1					
	South side	20.1 to 30m	0.1		L/min	<b>9,663</b>		
	West side	20.1 to 30m	0.1	0.3	L/s	161		
Minimum required fire flow rate (rounded to nearest 100)					L/min	<b>9,700</b>		
Minimum required fire flow rate					L/s	<b>162</b>		
Required duration of fire flow					min	<b>30</b>		

# APPENDIX “D”

## Underground Chambers & Stormwater Treatment Unit

PROJECT INFORMATION	
ENGINEERED PRODUCT MANAGER:	HAIDER NASRULLAH 647-850-9417 HAIDER.NASRULLAH@ADS-PIPE.COM
ADS SALES REP:	MICHAEL REID 613-882-4186 MICHAEL.REID@ADS-PIPE.COM
PROJECT NO:	S230845
ADS SITE COORDINATOR:	MATTHEW BEGHIN 519-710-3687 MATTHEW.BEGHIN@ADS-PIPE.COM



# 2396 CLEROUX CRESCENT

## OTTAWA, ON.

### MC-4500 STORMTECH CHAMBER SPECIFICATIONS

- CHAMBERS SHALL BE STORMTECH MC-4500.
- CHAMBERS SHALL BE ARCH-SHAPED AND SHALL BE MANUFACTURED FROM VIRGIN, IMPACT-MODIFIED POLYPROPYLENE COPOLYMERS.
- CHAMBERS SHALL BE CERTIFIED TO CSA B184, "POLYMERIC SUB-SURFACE STORMWATER MANAGEMENT STRUCTURES", AND MEET THE REQUIREMENTS OF ASTM F2418, "STANDARD SPECIFICATION FOR POLYPROPYLENE (PP) CORRUGATED WALL STORMWATER COLLECTION CHAMBERS" CHAMBER CLASSIFICATION 60x101.
- CHAMBER ROWS SHALL PROVIDE CONTINUOUS, UNOBSTRUCTED INTERNAL SPACE WITH NO INTERNAL SUPPORTS THAT WOULD IMPEDE FLOW OR LIMIT ACCESS FOR INSPECTION.
- THE STRUCTURAL DESIGN OF THE CHAMBERS, THE STRUCTURAL BACKFILL, AND THE INSTALLATION REQUIREMENTS SHALL ENSURE THAT THE LOAD FACTORS SPECIFIED IN THE AASHTO LRFD BRIDGE DESIGN SPECIFICATIONS, SECTION 12.12, ARE MET FOR: 1) LONG-DURATION DEAD LOADS AND 2) SHORT-DURATION LIVE LOADS, BASED ON THE CSA S6 CL-625 TRUCK AND THE AASHTO DESIGN TRUCK WITH CONSIDERATION FOR IMPACT AND MULTIPLE VEHICLE PRESENCES.
- CHAMBERS SHALL BE DESIGNED, TESTED AND ALLOWABLE LOAD CONFIGURATIONS DETERMINED IN ACCORDANCE WITH ASTM F2787, "STANDARD PRACTICE FOR STRUCTURAL DESIGN OF THERMOPLASTIC CORRUGATED WALL STORMWATER COLLECTION CHAMBERS". LOAD CONFIGURATIONS SHALL INCLUDE: 1) INSTANTANEOUS (<1 MIN) AASHTO DESIGN TRUCK LIVE LOAD ON MINIMUM COVER 2) MAXIMUM PERMANENT (75-YR) COVER LOAD AND 3) ALLOWABLE COVER WITH PARKED (1-WEEK) AASHTO DESIGN TRUCK.
- REQUIREMENTS FOR HANDLING AND INSTALLATION:
  - TO MAINTAIN THE WIDTH OF CHAMBERS DURING SHIPPING AND HANDLING, CHAMBERS SHALL HAVE INTEGRAL, INTERLOCKING STACKING LUGS.
  - TO ENSURE A SECURE JOINT DURING INSTALLATION AND BACKFILL, THE HEIGHT OF THE CHAMBER JOINT SHALL NOT BE LESS THAN 75 mm (3").
  - TO ENSURE THE INTEGRITY OF THE ARCH SHAPE DURING INSTALLATION, a) THE ARCH STIFFNESS CONSTANT SHALL BE GREATER THAN OR EQUAL TO 450 LBS/IN/IN. THE ASC IS DEFINED IN SECTION 6.2.8 OF ASTM F2418. AND b) TO RESIST CHAMBER DEFORMATION DURING INSTALLATION AT ELEVATED TEMPERATURES (ABOVE 23° C / 73° F), CHAMBERS SHALL BE PRODUCED FROM REFLECTIVE GOLD OR YELLOW COLORS.
- ONLY CHAMBERS THAT ARE APPROVED BY THE SITE DESIGN ENGINEER WILL BE ALLOWED. UPON REQUEST BY THE SITE DESIGN ENGINEER OR OWNER, THE CHAMBER MANUFACTURER SHALL SUBMIT A STRUCTURAL EVALUATION FOR APPROVAL BEFORE DELIVERING CHAMBERS TO THE PROJECT SITE AS FOLLOWS:
  - THE STRUCTURAL EVALUATION SHALL BE SEALED BY A REGISTERED PROFESSIONAL ENGINEER.
  - THE STRUCTURAL EVALUATION SHALL DEMONSTRATE THAT THE SAFETY FACTORS ARE GREATER THAN OR EQUAL TO 1.95 FOR DEAD LOAD AND 1.75 FOR LIVE LOAD, THE MINIMUM REQUIRED BY ASTM F2787 AND BY SECTIONS 3 AND 12.12 OF THE AASHTO LRFD BRIDGE DESIGN SPECIFICATIONS FOR THERMOPLASTIC PIPE.
  - THE TEST DERIVED CREEP MODULUS AS SPECIFIED IN ASTM F2418 SHALL BE USED FOR PERMANENT DEAD LOAD DESIGN EXCEPT THAT IT SHALL BE THE 75-YEAR MODULUS USED FOR DESIGN.
- CHAMBERS AND END CAPS SHALL BE PRODUCED AT AN ISO 9001 CERTIFIED MANUFACTURING FACILITY.

### IMPORTANT - NOTES FOR THE BIDDING AND INSTALLATION OF MC-4500 CHAMBER SYSTEM

- STORMTECH MC-4500 CHAMBERS SHALL NOT BE INSTALLED UNTIL THE MANUFACTURER'S REPRESENTATIVE HAS COMPLETED A PRE-CONSTRUCTION MEETING WITH THE INSTALLERS.
- STORMTECH MC-4500 CHAMBERS SHALL BE INSTALLED IN ACCORDANCE WITH THE "STORMTECH MC-3500/MC-4500 CONSTRUCTION GUIDE".
- CHAMBERS ARE NOT TO BE BACKFILLED WITH A DOZER OR EXCAVATOR SITUATED OVER THE CHAMBERS. STORMTECH RECOMMENDS 3 BACKFILL METHODS:
  - STONESHOOTER LOCATED OFF THE CHAMBER BED.
  - BACKFILL AS ROWS ARE BUILT USING AN EXCAVATOR ON THE FOUNDATION STONE OR SUBGRADE.
  - BACKFILL FROM OUTSIDE THE EXCAVATION USING A LONG BOOM HOE OR EXCAVATOR.
- THE FOUNDATION STONE SHALL BE LEVELED AND COMPACTED PRIOR TO PLACING CHAMBERS.
- JOINTS BETWEEN CHAMBERS SHALL BE PROPERLY SEATED PRIOR TO PLACING STONE.
- MAINTAIN MINIMUM - 230 mm (9") SPACING BETWEEN THE CHAMBER ROWS.
- INLET AND OUTLET MANIFOLDS MUST BE INSERTED A MINIMUM OF 300 mm (12") INTO CHAMBER END CAPS.
- EMBEDMENT STONE SURROUNDING CHAMBERS MUST BE A CLEAN, CRUSHED, ANGULAR STONE WELL GRADED BETWEEN ¾" AND 2" (20-50 mm).
- STONE SHALL BE BROUGHT UP EVENLY AROUND CHAMBERS SO AS NOT TO DISTORT THE CHAMBER SHAPE. STONE DEPTHS SHOULD NEVER DIFFER BY MORE THAN 300 mm (12") BETWEEN ADJACENT CHAMBER ROWS.
- STONE MUST BE PLACED ON THE TOP CENTER OF THE CHAMBER TO ANCHOR THE CHAMBERS IN PLACE AND PRESERVE ROW SPACING.
- THE CONTRACTOR MUST REPORT ANY DISCREPANCIES WITH CHAMBER FOUNDATION MATERIAL BEARING CAPACITIES TO THE SITE DESIGN ENGINEER.
- ADS RECOMMENDS THE USE OF "FLEXSTORM CATCH IT" INSERTS DURING CONSTRUCTION FOR ALL INLETS TO PROTECT THE SUBSURFACE STORMWATER MANAGEMENT SYSTEM FROM CONSTRUCTION SITE RUNOFF.

### NOTES FOR CONSTRUCTION EQUIPMENT

- STORMTECH MC-4500 CHAMBERS SHALL BE INSTALLED IN ACCORDANCE WITH THE "STORMTECH MC-3500/MC-4500 CONSTRUCTION GUIDE".
- THE USE OF EQUIPMENT OVER MC-4500 CHAMBERS IS LIMITED:
  - NO EQUIPMENT IS ALLOWED ON BARE CHAMBERS.
  - NO RUBBER TIRE LOADER, DUMP TRUCK, OR EXCAVATORS ARE ALLOWED UNTIL PROPER FILL DEPTHS ARE REACHED IN ACCORDANCE WITH THE "STORMTECH MC-3500/MC-4500 CONSTRUCTION GUIDE".
  - WEIGHT LIMITS FOR CONSTRUCTION EQUIPMENT CAN BE FOUND IN THE "STORMTECH MC-3500/MC-4500 CONSTRUCTION GUIDE".
- FULL 900 mm (36") OF STABILIZED COVER MATERIALS OVER THE CHAMBERS IS REQUIRED FOR DUMP TRUCK TRAVEL OR DUMPING.

**USE OF A DOZER TO PUSH EMBEDMENT STONE BETWEEN THE ROWS OF CHAMBERS MAY CAUSE DAMAGE TO CHAMBERS AND IS NOT AN ACCEPTABLE BACKFILL METHOD. ANY CHAMBERS DAMAGED BY USING THE "DUMP AND PUSH" METHOD ARE NOT COVERED UNDER THE STORMTECH STANDARD WARRANTY.**

CONTACT STORMTECH AT 1-888-892-2694 WITH ANY QUESTIONS ON INSTALLATION REQUIREMENTS OR WEIGHT LIMITS FOR CONSTRUCTION EQUIPMENT.

**PROPOSED LAYOUT**

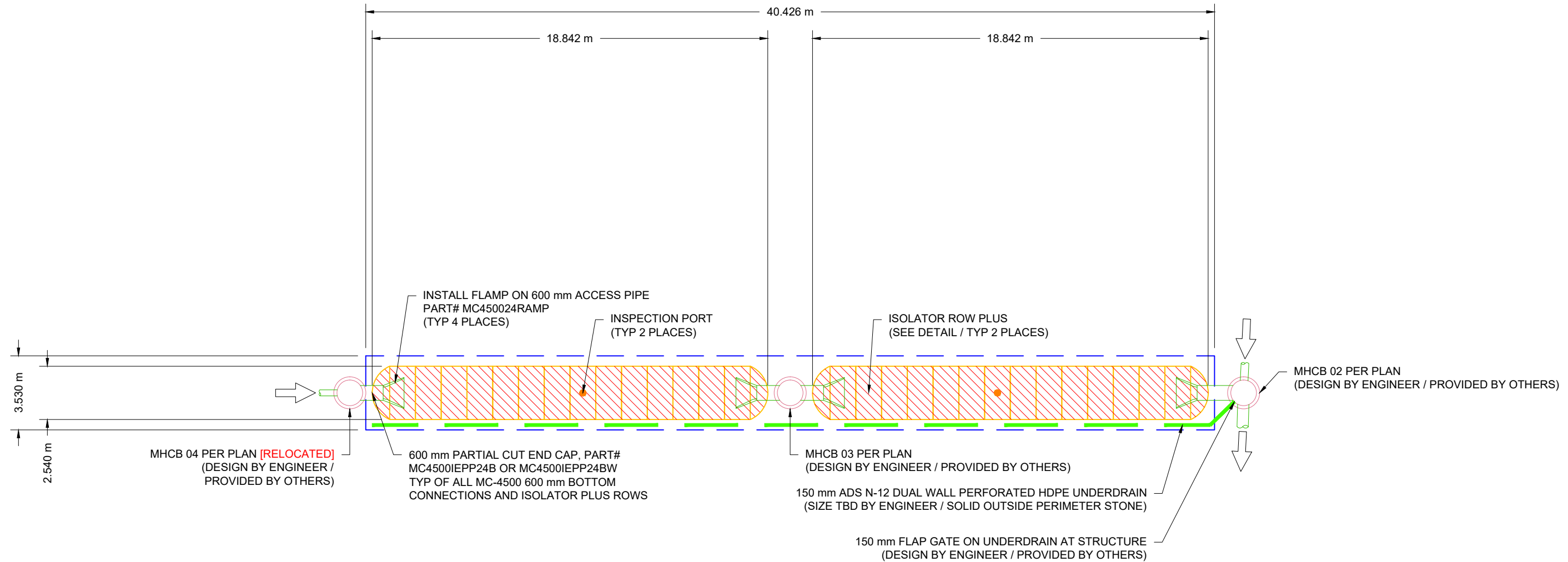
28	STORMTECH MC-4500 CHAMBERS
4	STORMTECH MC-4500 END CAPS
305	STONE ABOVE (mm)
229	STONE BELOW (mm)
40	% STONE VOID
<b>170.9</b>	<b>INSTALLED SYSTEM VOLUME (m³) (PERIMETER STONE INCLUDED)</b>
142.7	SYSTEM AREA (m²)
87.9	SYSTEM PERIMETER (m)

**PROPOSED ELEVATIONS**

82.051	MAXIMUM ALLOWABLE GRADE (TOP OF PAVEMENT/UNPAVED):
80.679	MINIMUM ALLOWABLE GRADE (UNPAVED WITH TRAFFIC):
80.527	MINIMUM ALLOWABLE GRADE (UNPAVED NO TRAFFIC):
80.527	MINIMUM ALLOWABLE GRADE (BASE OF FLEXIBLE PAVEMENT):
80.527	MINIMUM ALLOWABLE GRADE (TOP OF RIGID PAVEMENT):
80.222	TOP OF STONE:
79.917	TOP OF MC-4500 CHAMBER:
78.451	600 mm ISOLATOR ROW PLUS INVERT:
78.393	BOTTOM OF MC-4500 CHAMBER:
78.164	BOTTOM OF STONE:

**NOTES**

- MANIFOLD SIZE TO BE DETERMINED BY SITE DESIGN ENGINEER. SEE TECHNICAL NOTE 6.32 FOR MANIFOLD SIZING GUIDANCE.
- DUE TO THE ADAPTATION OF THIS CHAMBER SYSTEM TO SPECIFIC SITE AND DESIGN CONSTRAINTS, IT MAY BE NECESSARY TO CUT AND COUPLE ADDITIONAL PIPE TO STANDARD MANIFOLD COMPONENTS IN THE FIELD.
- THE SITE DESIGN ENGINEER MUST REVIEW ELEVATIONS AND IF NECESSARY ADJUST GRADING TO ENSURE THE CHAMBER COVER REQUIREMENTS ARE MET.
- THIS CHAMBER SYSTEM WAS DESIGNED WITHOUT SITE-SPECIFIC INFORMATION ON SOIL CONDITIONS OR BEARING CAPACITY. THE SITE DESIGN ENGINEER IS RESPONSIBLE FOR DETERMINING THE SUITABILITY OF THE SOIL AND PROVIDING THE BEARING CAPACITY OF THE INSITU SOILS. THE BASE STONE DEPTH MAY BE INCREASED OR DECREASED ONCE THIS INFORMATION IS PROVIDED.



2396 CLEROUX CRESCENT

OTTAWA, ON.

DATE: 12/23/21 DRAWN: MAD  
PROJECT #: S230845 CHECKED: RWD

DATE	DESCRIPTION
02/03/22	RCT NEW PLAN W/4500'S
	RCT DRWN CHKD

**StormTech®**  
Système de Chambres  
888-892-2694 | WWW.STORMTECH.COM

**ADS**  
4640 TRUJEMAN BLVD  
HILLIARD, OH 43026

SCALE = 1 : 200

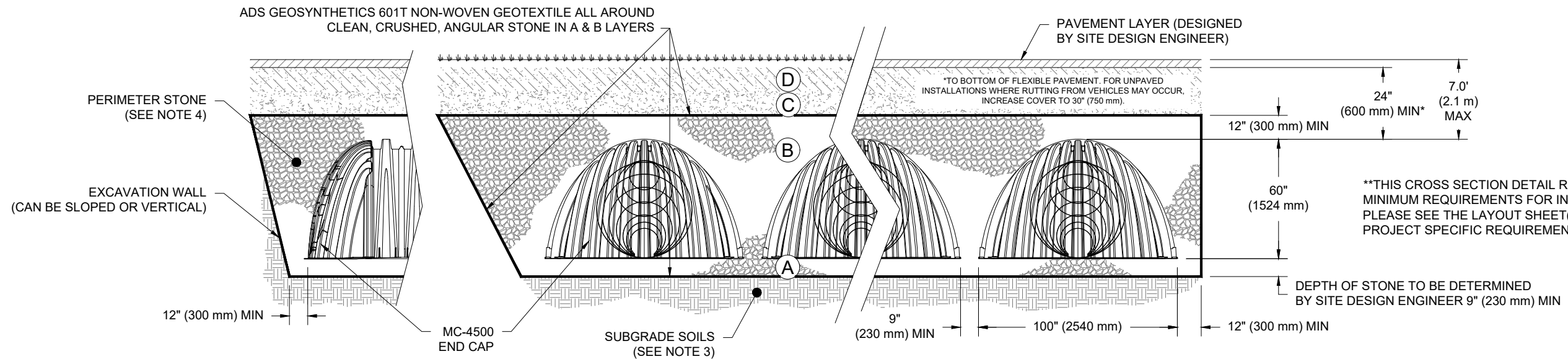
THIS DRAWING HAS BEEN PREPARED BASED ON INFORMATION PROVIDED TO ADS UNDER THE DIRECTION OF THE SITE DESIGN ENGINEER OR OTHER PROJECT REPRESENTATIVE. THE SITE DESIGN ENGINEER SHALL REVIEW THIS DRAWING PRIOR TO CONSTRUCTION. IT IS THE ULTIMATE RESPONSIBILITY OF THE SITE DESIGN ENGINEER TO ENSURE THAT THE PRODUCT(S) DEPICTED AND ALL ASSOCIATED DETAILS MEET ALL APPLICABLE LAWS, REGULATIONS, AND PROJECT REQUIREMENTS.

## ACCEPTABLE FILL MATERIALS: STORMTECH MC-4500 CHAMBER SYSTEMS

MATERIAL LOCATION	DESCRIPTION	AASHTO MATERIAL CLASSIFICATIONS	COMPACTION / DENSITY REQUIREMENT
D	<b>FINAL FILL:</b> FILL MATERIAL FOR LAYER 'D' STARTS FROM THE TOP OF THE 'C' LAYER TO THE BOTTOM OF FLEXIBLE PAVEMENT OR UNPAVED FINISHED GRADE ABOVE. NOTE THAT PAVEMENT SUBBASE MAY BE PART OF THE 'D' LAYER	N/A	PREPARE PER SITE DESIGN ENGINEER'S PLANS. PAVED INSTALLATIONS MAY HAVE STRINGENT MATERIAL AND PREPARATION REQUIREMENTS.
C	<b>INITIAL FILL:</b> FILL MATERIAL FOR LAYER 'C' STARTS FROM THE TOP OF THE EMBEDMENT STONE ('B' LAYER) TO 24" (600 mm) ABOVE THE TOP OF THE CHAMBER. NOTE THAT PAVEMENT SUBBASE MAY BE A PART OF THE 'C' LAYER.	AASHTO M145 <sup>1</sup> A-1, A-2-4, A-3  OR AASHTO M43 <sup>1</sup> 3, 357, 4, 467, 5, 56, 57, 6, 67, 68, 7, 78, 8, 89, 9, 10	BEGIN COMPACTIONS AFTER 24" (600 mm) OF MATERIAL OVER THE CHAMBERS IS REACHED. COMPACT ADDITIONAL LAYERS IN 12" (300 mm) MAX LIFTS TO A MIN. 95% PROCTOR DENSITY FOR WELL GRADED MATERIAL AND 95% RELATIVE DENSITY FOR PROCESSED AGGREGATE MATERIALS.
B	<b>EMBEDMENT STONE:</b> FILL SURROUNDING THE CHAMBERS FROM THE FOUNDATION STONE ('A' LAYER) TO THE 'C' LAYER ABOVE.	CLEAN, CRUSHED, ANGULAR STONE  AASHTO M43 <sup>1</sup> 3, 4	NO COMPACTION REQUIRED.
A	<b>FOUNDATION STONE:</b> FILL BELOW CHAMBERS FROM THE SUBGRADE UP TO THE FOOT (BOTTOM) OF THE CHAMBER.	CLEAN, CRUSHED, ANGULAR STONE  AASHTO M43 <sup>1</sup> 3, 4	PLATE COMPACT OR ROLL TO ACHIEVE A FLAT SURFACE. <sup>2,3</sup>

**PLEASE NOTE:**

- THE LISTED AASHTO DESIGNATIONS ARE FOR GRADATIONS ONLY. THE STONE MUST ALSO BE CLEAN, CRUSHED, ANGULAR. FOR EXAMPLE, A SPECIFICATION FOR #4 STONE WOULD STATE: "CLEAN, CRUSHED, ANGULAR NO. 4 (AASHTO M43) STONE".
- STORMTECH COMPACTION REQUIREMENTS ARE MET FOR 'A' LOCATION MATERIALS WHEN PLACED AND COMPACTED IN 9" (230 mm) (MAX) LIFTS USING TWO FULL COVERAGES WITH A VIBRATORY COMPACTOR.
- WHERE INFILTRATION SURFACES MAY BE COMPROMISED BY COMPACTION, FOR STANDARD DESIGN LOAD CONDITIONS, A FLAT SURFACE MAY BE ACHIEVED BY RAKING OR DRAGGING WITHOUT COMPACTION EQUIPMENT. FOR SPECIAL LOAD DESIGNS, CONTACT STORMTECH FOR COMPACTION REQUIREMENTS.
- ONCE LAYER 'C' IS PLACED, ANY SOIL/MATERIAL CAN BE PLACED IN LAYER 'D' UP TO THE FINISHED GRADE. MOST PAVEMENT SUBBASE SOILS CAN BE USED TO REPLACE THE MATERIAL REQUIREMENTS OF LAYER 'C' OR 'D' AT THE SITE DESIGN ENGINEER'S DISCRETION.



**NOTES:**

- CHAMBERS SHALL MEET THE REQUIREMENTS OF ASTM F2418, "STANDARD SPECIFICATION FOR POLYPROPYLENE (PP) CORRUGATED WALL STORMWATER COLLECTION CHAMBERS" CHAMBER CLASSIFICATION 60x101
- MC-4500 CHAMBERS SHALL BE DESIGNED IN ACCORDANCE WITH ASTM F2787 "STANDARD PRACTICE FOR STRUCTURAL DESIGN OF THERMOPLASTIC CORRUGATED WALL STORMWATER COLLECTION CHAMBERS".
- THE SITE DESIGN ENGINEER IS RESPONSIBLE FOR ASSESSING THE BEARING RESISTANCE (ALLOWABLE BEARING CAPACITY) OF THE SUBGRADE SOILS AND THE DEPTH OF FOUNDATION STONE WITH CONSIDERATION FOR THE RANGE OF EXPECTED SOIL MOISTURE CONDITIONS.
- PERIMETER STONE MUST BE EXTENDED HORIZONTALLY TO THE EXCAVATION WALL FOR BOTH VERTICAL AND SLOPED EXCAVATION WALLS.
- REQUIREMENTS FOR HANDLING AND INSTALLATION:
  - TO MAINTAIN THE WIDTH OF CHAMBERS DURING SHIPPING AND HANDLING, CHAMBERS SHALL HAVE INTEGRAL, INTERLOCKING STACKING LUGS.
  - TO ENSURE A SECURE JOINT DURING INSTALLATION AND BACKFILL, THE HEIGHT OF THE CHAMBER JOINT SHALL NOT BE LESS THAN 3".
  - TO ENSURE THE INTEGRITY OF THE ARCH SHAPE DURING INSTALLATION, a) THE ARCH STIFFNESS CONSTANT AS DEFINED IN SECTION 6.2.8 OF ASTM F2418 SHALL BE GREATER THAN OR EQUAL TO 500 LBS/IN/IN. AND b) TO RESIST CHAMBER DEFORMATION DURING INSTALLATION AT ELEVATED TEMPERATURES (ABOVE 73° F / 23° C), CHAMBERS SHALL BE PRODUCED FROM REFLECTIVE GOLD OR YELLOW COLORS.

2396 CLEROUX CRESCENT

OTTAWA, ON.

DATE: 12/23/21

DRAWN: MAD

PROJECT #: S230845

CHECKED: RWD

02/03/22

DATE

RCT

DRWN

CHKD

DESCRIPTION

StormTech®

Chamber System

888-892-2694 | WWW.STORMTECH.COM

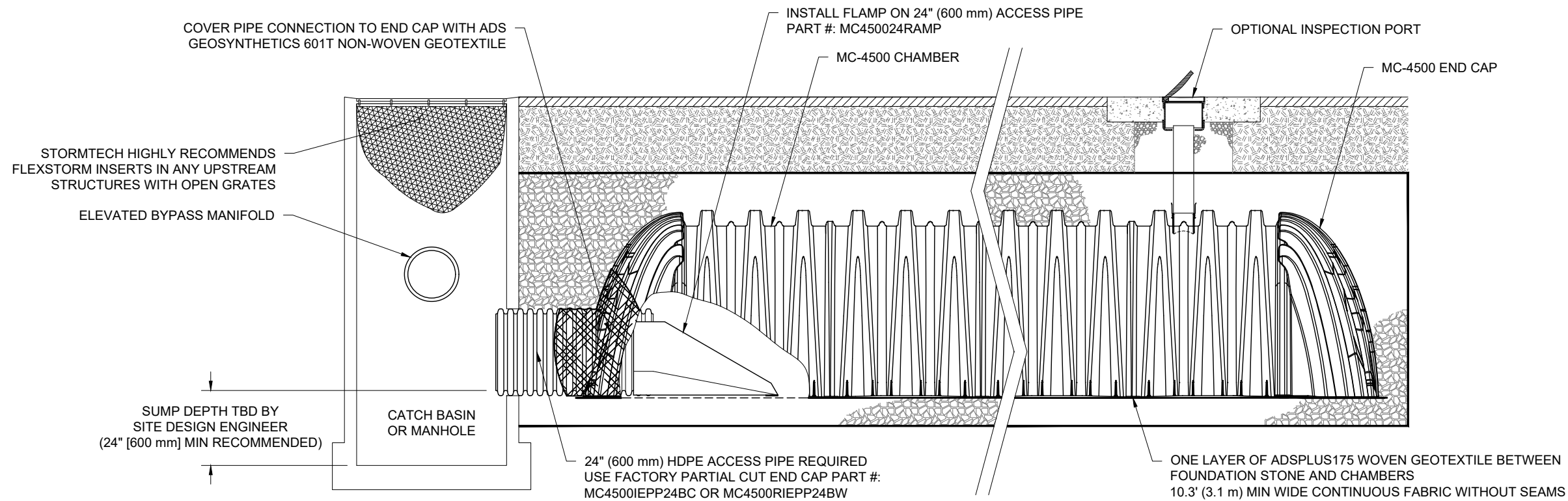
4640 TRUEMAN BLVD

HILLIARD, OH 43026

3
SHEET
5

THIS DRAWING HAS BEEN PREPARED BASED ON INFORMATION PROVIDED BY THE SITE DESIGN ENGINEER OR OTHER PROJECT REPRESENTATIVE. THE SITE DESIGN ENGINEER SHALL REVIEW THIS DRAWING PRIOR TO CONSTRUCTION. IT IS THE ULTIMATE RESPONSIBILITY OF THE SITE DESIGN ENGINEER TO ENSURE THAT THE PRODUCT(S) DEPICTED AND ALL ASSOCIATED DETAILS MEET ALL APPLICABLE LAWS, REGULATIONS, AND PROJECT REQUIREMENTS.





**MC-4500 ISOLATOR ROW PLUS DETAIL**

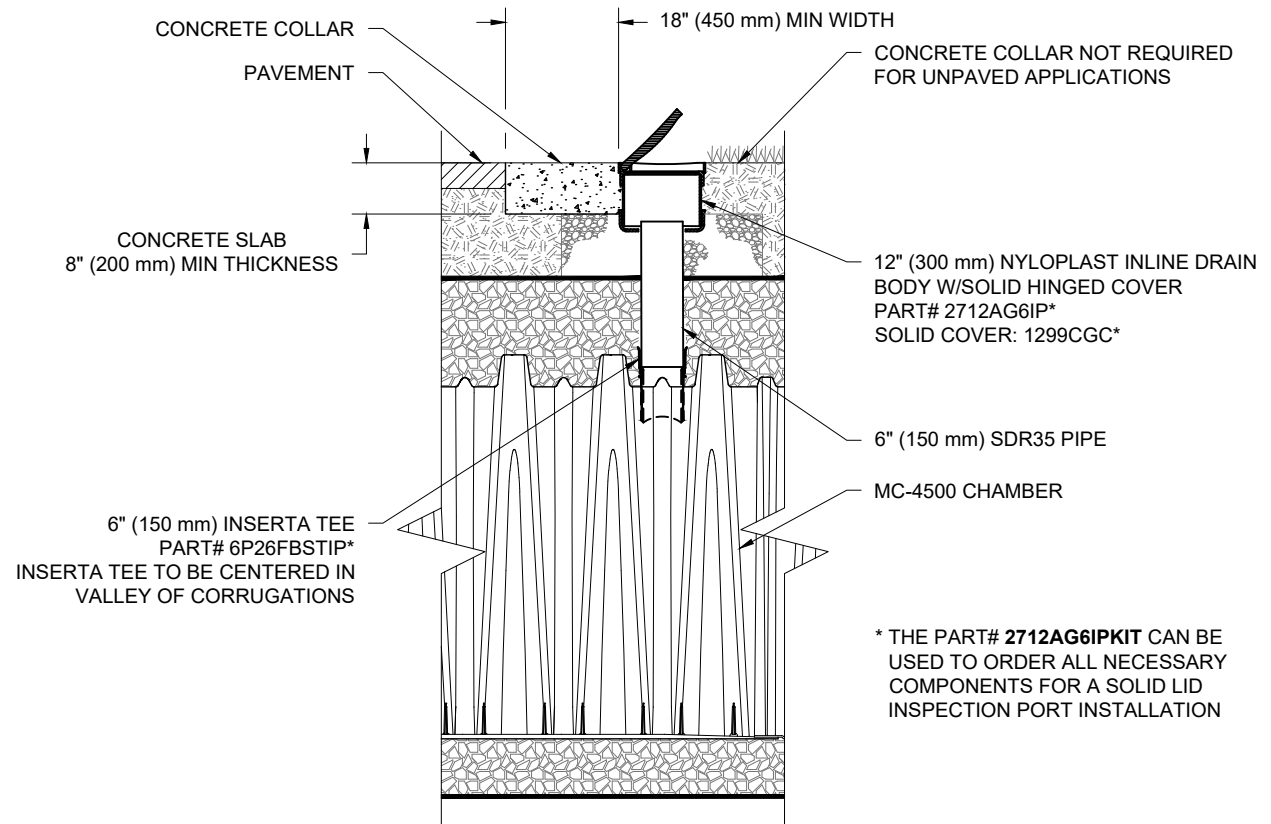
NTS

**INSPECTION & MAINTENANCE**

- STEP 1) INSPECT ISOLATOR ROW PLUS FOR SEDIMENT
- A. INSPECTION PORTS (IF PRESENT)
    - A.1. REMOVE/OPEN LID ON NYLOPLAST INLINE DRAIN
    - A.2. REMOVE AND CLEAN FLEXSTORM FILTER IF INSTALLED
    - A.3. USING A FLASHLIGHT AND STADIA ROD, MEASURE DEPTH OF SEDIMENT AND RECORD ON MAINTENANCE LOG
    - A.4. LOWER A CAMERA INTO ISOLATOR ROW PLUS FOR VISUAL INSPECTION OF SEDIMENT LEVELS (OPTIONAL)
    - A.5. IF SEDIMENT IS AT, OR ABOVE, 3" (80 mm) PROCEED TO STEP 2. IF NOT, PROCEED TO STEP 3.
  - B. ALL ISOLATOR PLUS ROWS
    - B.1. REMOVE COVER FROM STRUCTURE AT UPSTREAM END OF ISOLATOR ROW PLUS
    - B.2. USING A FLASHLIGHT, INSPECT DOWN THE ISOLATOR ROW PLUS THROUGH OUTLET PIPE
      - i) MIRRORS ON POLES OR CAMERAS MAY BE USED TO AVOID A CONFINED SPACE ENTRY
      - ii) FOLLOW OSHA REGULATIONS FOR CONFINED SPACE ENTRY IF ENTERING MANHOLE
    - B.3. IF SEDIMENT IS AT, OR ABOVE, 3" (80 mm) PROCEED TO STEP 2. IF NOT, PROCEED TO STEP 3.
- STEP 2) CLEAN OUT ISOLATOR ROW PLUS USING THE JETVAC PROCESS
- A. A FIXED CULVERT CLEANING NOZZLE WITH REAR FACING SPREAD OF 45" (1.1 m) OR MORE IS PREFERRED
  - B. APPLY MULTIPLE PASSES OF JETVAC UNTIL BACKFLUSH WATER IS CLEAN
  - C. VACUUM STRUCTURE SUMP AS REQUIRED
- STEP 3) REPLACE ALL COVERS, GRATES, FILTERS, AND LIDS; RECORD OBSERVATIONS AND ACTIONS.
- STEP 4) INSPECT AND CLEAN BASINS AND MANHOLES UPSTREAM OF THE STORMTECH SYSTEM.

**NOTES**

1. INSPECT EVERY 6 MONTHS DURING THE FIRST YEAR OF OPERATION. ADJUST THE INSPECTION INTERVAL BASED ON PREVIOUS OBSERVATIONS OF SEDIMENT ACCUMULATION AND HIGH WATER ELEVATIONS.
2. CONDUCT JETTING AND VACTORING ANNUALLY OR WHEN INSPECTION SHOWS THAT MAINTENANCE IS NECESSARY.



**MC-4500 6" (150 mm) INSPECTION PORT DETAIL**

NTS

2396 CLEROUX CRESCENT

OTTAWA, ON.

DATE: 12/23/21 DRAWN: MAD  
PROJECT #: S230845 CHECKED: RWD

DATE	DESCRIPTION
02/03/22	RCT DRWN CHKD
	RCT NEW PLAN W/4500'S

**StormTech®**  
Chamber System

888-892-2694 | WWW.STORMTECH.COM

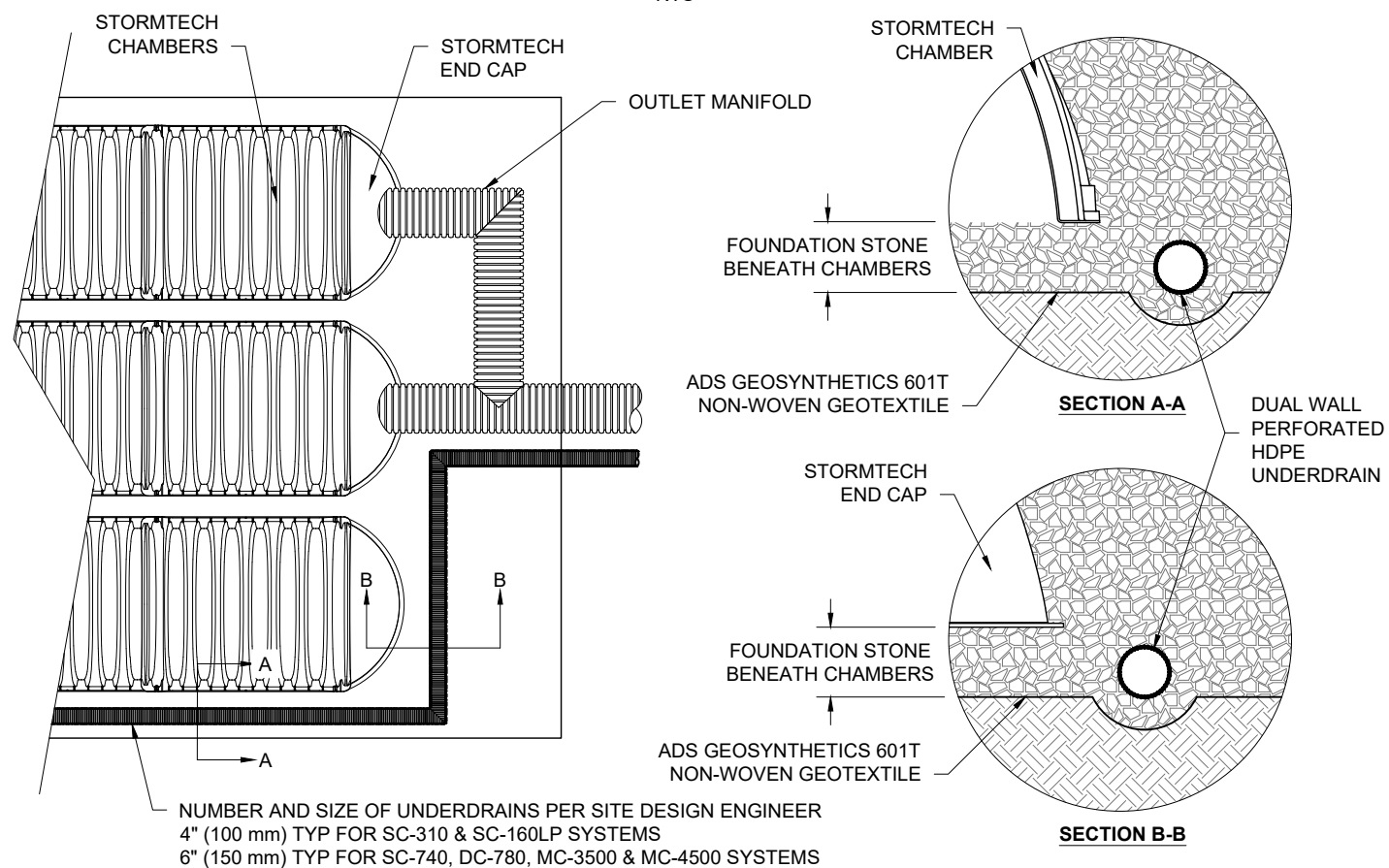
4640 TRUEMAN BLVD  
HILLIARD, OH 43026

**ADS**

THIS DRAWING HAS BEEN PREPARED BASED ON INFORMATION PROVIDED TO ADS UNDER THE DIRECTION OF THE SITE DESIGN ENGINEER OR OTHER PROJECT REPRESENTATIVE. THE SITE DESIGN ENGINEER SHALL REVIEW THIS DRAWING PRIOR TO CONSTRUCTION. IT IS THE ULTIMATE RESPONSIBILITY OF THE SITE DESIGN ENGINEER TO ENSURE THAT THE PRODUCT(S) DEPICTED AND ALL ASSOCIATED DETAILS MEET ALL APPLICABLE LAWS, REGULATIONS, AND PROJECT REQUIREMENTS.

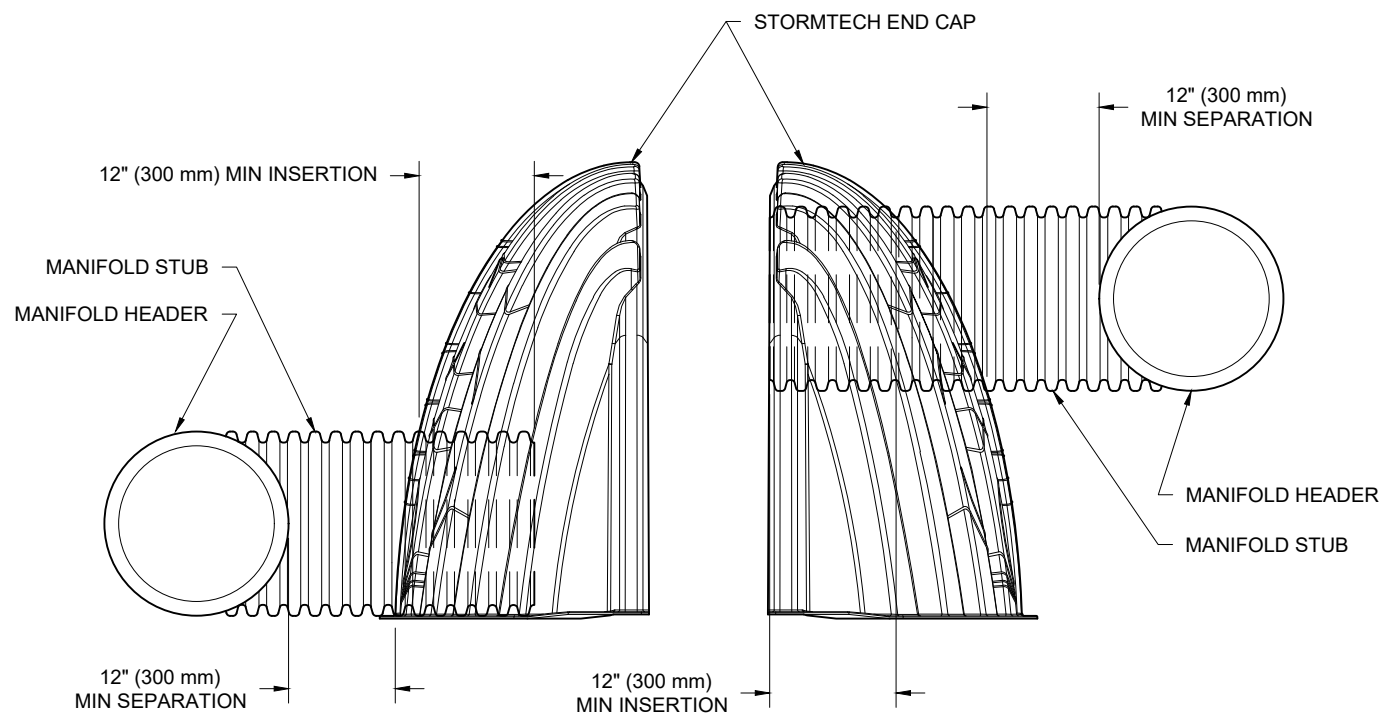
### UNDERDRAIN DETAIL

NTS



### MC-SERIES END CAP INSERTION DETAIL

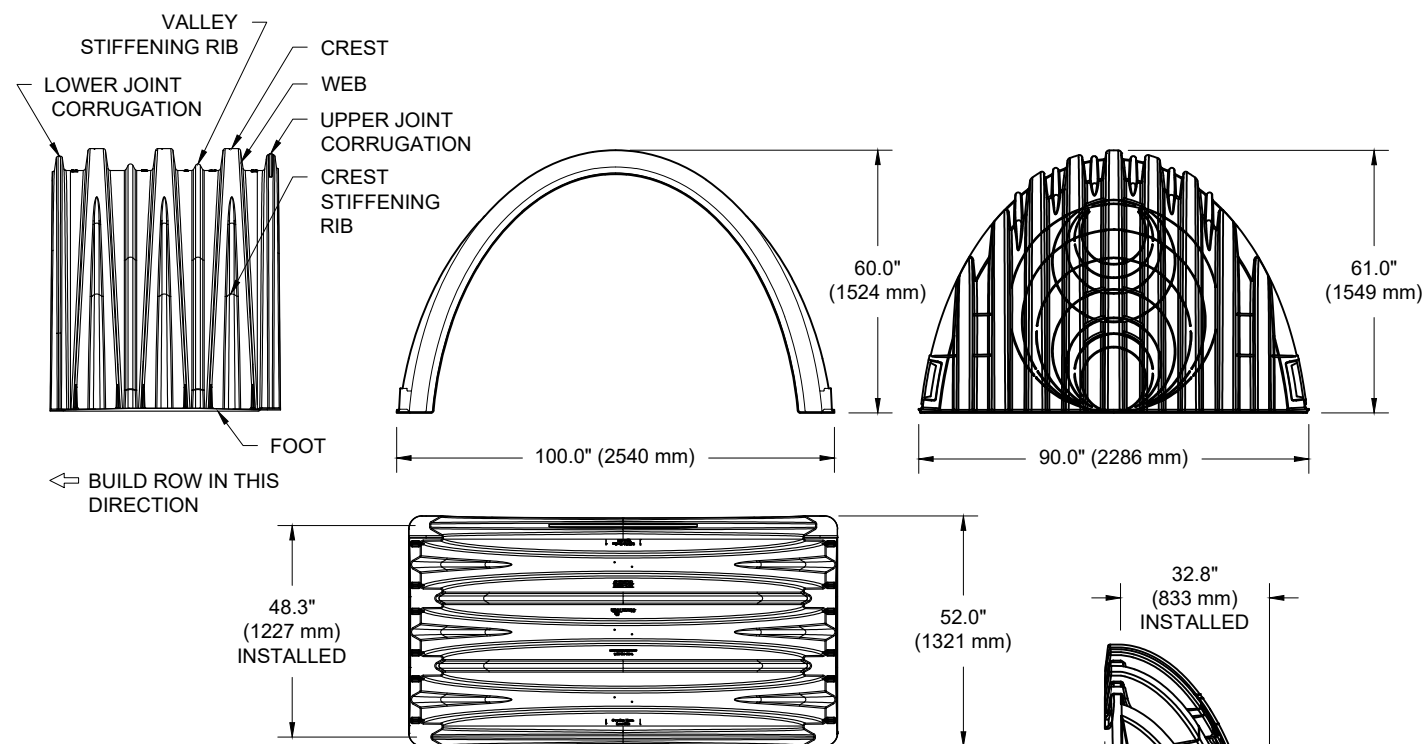
NTS



NOTE: MANIFOLD STUB MUST BE LAID HORIZONTAL FOR A PROPER FIT IN END CAP OPENING.

### MC-4500 TECHNICAL SPECIFICATION

NTS



#### NOMINAL CHAMBER SPECIFICATIONS

SIZE (W X H X INSTALLED LENGTH)	100.0" X 60.0" X 48.3"	(2540 mm X 1524 mm X 1227 mm)
CHAMBER STORAGE	106.5 CUBIC FEET	(3.01 m <sup>3</sup> )
MINIMUM INSTALLED STORAGE*	162.6 CUBIC FEET	(4.60 m <sup>3</sup> )
WEIGHT (NOMINAL)	125.0 lbs.	(56.7 kg)

#### NOMINAL END CAP SPECIFICATIONS

SIZE (W X H X INSTALLED LENGTH)	90.0" X 61.0" X 32.8"	(2286 mm X 1549 mm X 833 mm)
END CAP STORAGE	39.5 CUBIC FEET	(1.12 m <sup>3</sup> )
MINIMUM INSTALLED STORAGE*	115.3 CUBIC FEET	(3.26 m <sup>3</sup> )
WEIGHT (NOMINAL)	90 lbs.	(40.8 kg)

\*ASSUMES 12" (305 mm) STONE ABOVE, 9" (229 mm) STONE FOUNDATION AND BETWEEN CHAMBERS, 12" (305 mm) STONE PERIMETER IN FRONT OF END CAPS AND 40% STONE POROSITY.

PARTIAL CUT HOLES AT BOTTOM OF END CAP FOR PART NUMBERS ENDING WITH "B"  
 PARTIAL CUT HOLES AT TOP OF END CAP FOR PART NUMBERS ENDING WITH "T"  
 END CAPS WITH A PREFABRICATED WELDED STUB END WITH "W"

PART #	STUB	B	C
MC4500IEPP06T	6" (150 mm)	42.54" (1081 mm)	---
MC4500IEPP06B	---	---	0.86" (22 mm)
MC4500IEPP08T	8" (200 mm)	40.50" (1029 mm)	---
MC4500IEPP08B	---	---	1.01" (26 mm)
MC4500IEPP10T	10" (250 mm)	38.37" (975 mm)	---
MC4500IEPP10B	---	---	1.33" (34 mm)
MC4500IEPP12T	12" (300 mm)	35.69" (907 mm)	---
MC4500IEPP12B	---	---	1.55" (39 mm)
MC4500IEPP15T	15" (375 mm)	32.72" (831 mm)	---
MC4500IEPP15B	---	---	1.70" (43 mm)
MC4500IEPP18T	---	29.36" (746 mm)	---
MC4500IEPP18TW	18" (450 mm)	---	---
MC4500IEPP18B	---	---	1.97" (50 mm)
MC4500IEPP18BW	---	---	---
MC4500IEPP24T	---	23.05" (585 mm)	---
MC4500IEPP24TW	24" (600 mm)	---	---
MC4500IEPP24B	---	---	2.26" (57 mm)
MC4500IEPP24BW	---	---	---
MC4500IEPP30BW	30" (750 mm)	---	2.95" (75 mm)
MC4500IEPP36BW	36" (900 mm)	---	3.25" (83 mm)
MC4500IEPP42BW	42" (1050 mm)	---	3.55" (90 mm)

NOTE: ALL DIMENSIONS ARE NOMINAL

CUSTOM PREFABRICATED INVERTS ARE AVAILABLE UPON REQUEST. INVENTORIED MANIFOLDS INCLUDE 12-24" (300-600 mm) SIZE ON SIZE AND 15-48" (375-1200 mm) ECCENTRIC MANIFOLDS. CUSTOM INVERT LOCATIONS ON THE MC-4500 END CAP CUT IN THE FIELD ARE NOT RECOMMENDED FOR PIPE SIZES GREATER THAN 10" (250 mm). THE INVERT LOCATION IN COLUMN 'B' ARE THE HIGHEST POSSIBLE FOR THE PIPE SIZE.

2396 CLEROUX CRESCENT

StormTech®  
Chamber System

4640 TRUEJMAN BLVD  
HILLIARD, OH 43026

ADS

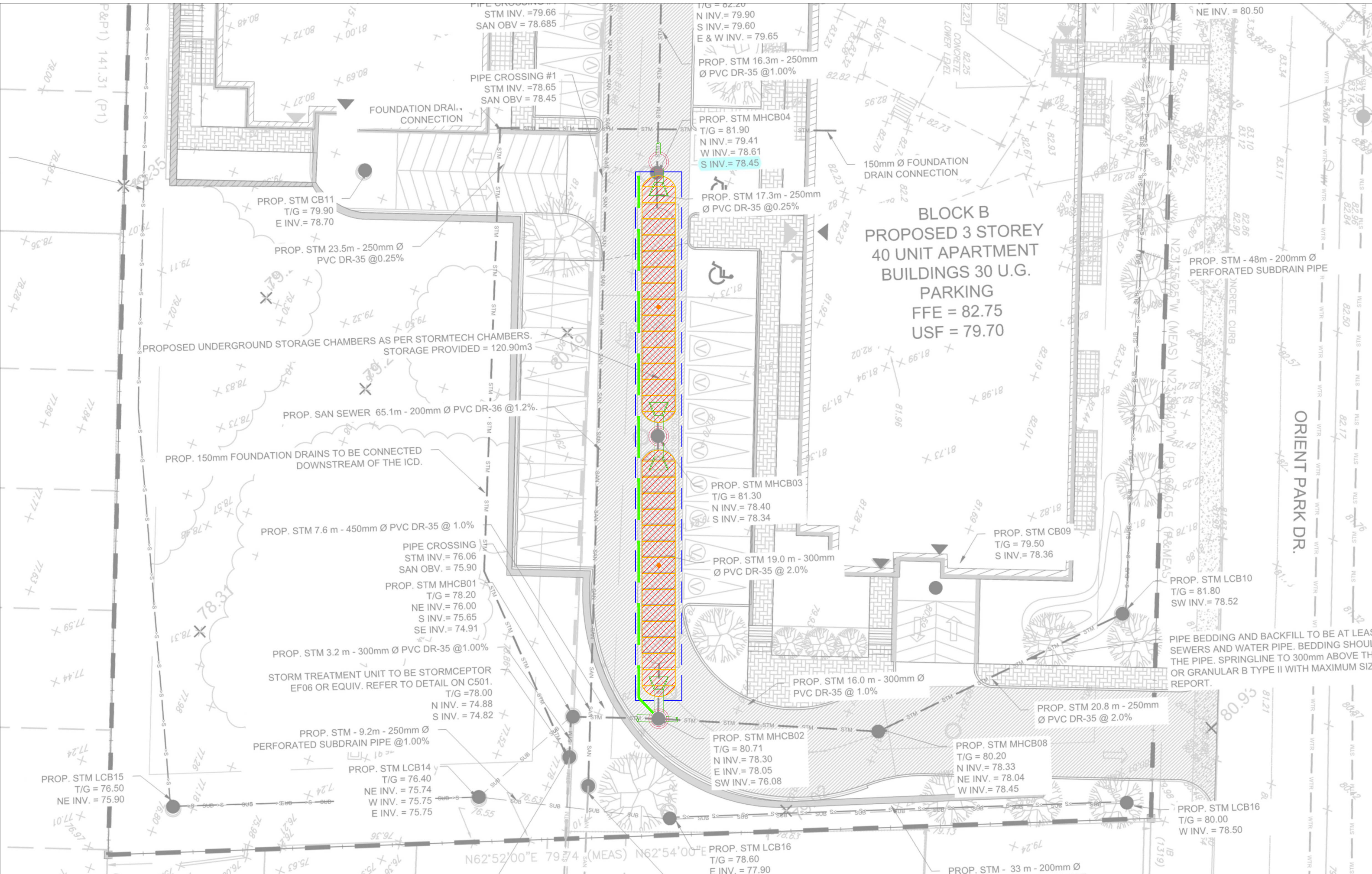
888-892-2694 | WWW.STORMTECH.COM

DATE: 12/23/21 DRAWN: MAD  
PROJECT #: S230845 CHECKED: RWD

DESCRIPTION  
NEW PLAN W/4500'S  
DATE  
02/03/22  
RCT  
RCT  
DRWN  
CHKD

THIS DRAWING HAS BEEN PREPARED BASED ON INFORMATION PROVIDED TO ADS UNDER THE DIRECTION OF THE SITE DESIGN ENGINEER OR OTHER PROJECT REPRESENTATIVE. THE SITE DESIGN ENGINEER SHALL REVIEW THIS DRAWING PRIOR TO CONSTRUCTION. IT IS THE ULTIMATE RESPONSIBILITY OF THE SITE DESIGN ENGINEER TO ENSURE THAT THE PRODUCT(S) DEPICTED AND ALL ASSOCIATED DETAILS MEET ALL APPLICABLE LAWS, REGULATIONS, AND PROJECT REQUIREMENTS.





**BLOCK B**  
**PROPOSED 3 STOREY**  
**40 UNIT APARTMENT**  
**BUILDINGS 30 U.G.**  
**PARKING**  
**FFE = 82.75**  
**USF = 79.70**

**ORIENT PARK DR.**

PROPOSED UNDERGROUND STORAGE CHAMBERS AS PER STORMTECH CHAMBERS.  
 STORAGE PROVIDED = 120.90m<sup>3</sup>

PIPE BEDDING AND BACKFILL TO BE AT LEAST  
 SEWERS AND WATER PIPE. BEDDING SHOULD  
 BE 300mm ABOVE THE PIPE. SPRINGLINE TO 300mm ABOVE THE  
 PIPE OR GRANULAR B TYPE II WITH MAXIMUM SIZE  
 REPORT.

STM INV. = 79.66  
 SAN OBV = 78.685

T/G = 82.20  
 N INV. = 79.90  
 S INV. = 79.60  
 E & W INV. = 79.65

PROP. STM 16.3m - 250mm  
 Ø PVC DR-35 @ 1.00%

PROP. STM MHCB04  
 T/G = 81.90  
 N INV. = 79.41  
 W INV. = 78.61  
 S INV. = 78.45

PROP. STM 17.3m - 250mm  
 Ø PVC DR-35 @ 0.25%

PROP. STM MHCB03  
 T/G = 81.30  
 N INV. = 78.40  
 S INV. = 78.34

PROP. STM 19.0 m - 300mm  
 Ø PVC DR-35 @ 2.0%

PROP. STM MHCB02  
 T/G = 80.71  
 N INV. = 78.30  
 E INV. = 78.05  
 SW INV. = 76.08

PROP. STM MHCB08  
 T/G = 80.20  
 N INV. = 78.33  
 NE INV. = 78.04  
 W INV. = 78.45

PROP. STM LCB10  
 T/G = 81.80  
 SW INV. = 78.52

PROP. STM LCB16  
 T/G = 80.00  
 W INV. = 78.50

PROP. STM CB11  
 T/G = 79.90  
 E INV. = 78.70

PROP. STM 23.5m - 250mm Ø  
 PVC DR-35 @ 0.25%

PROP. SAN SEWER 65.1m - 200mm Ø PVC DR-36 @ 1.2%.

PROP. STM 7.6 m - 450mm Ø PVC DR-35 @ 1.0%

PIPE CROSSING  
 STM INV. = 76.06  
 SAN OBV. = 75.90

PROP. STM MHCB01  
 T/G = 78.20  
 NE INV. = 76.00  
 S INV. = 75.65  
 SE INV. = 74.91

PROP. STM 3.2 m - 300mm Ø PVC DR-35 @ 1.00%

STORM TREATMENT UNIT TO BE STORMCEPTOR  
 EF06 OR EQUIV. REFER TO DETAIL ON C501.

T/G = 78.00  
 N INV. = 74.88  
 S INV. = 74.82

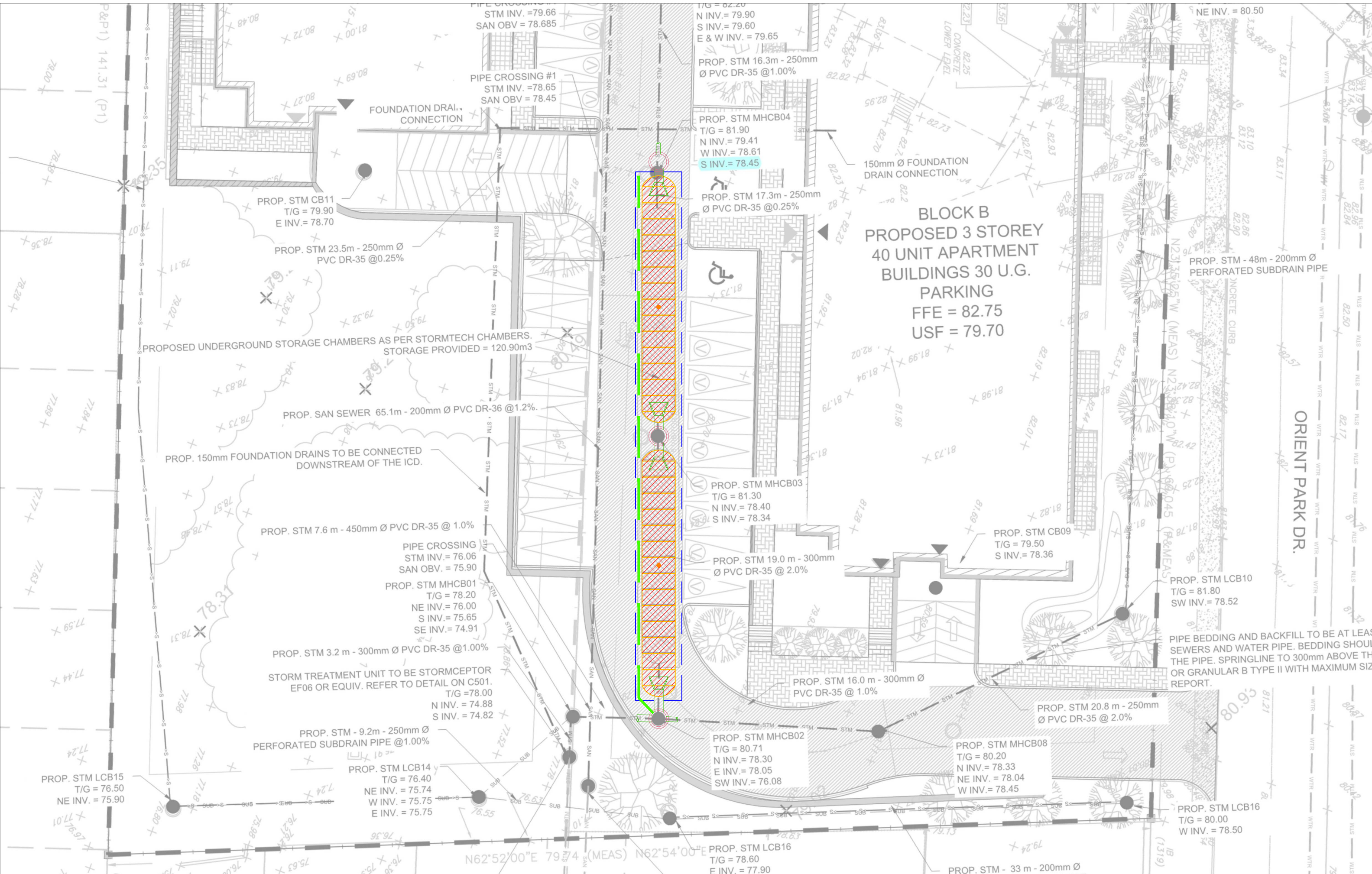
PROP. STM - 9.2m - 250mm Ø  
 PERFORATED SUBDRAIN PIPE @ 1.00%

PROP. STM LCB14  
 T/G = 76.40  
 NE INV. = 75.74  
 W INV. = 75.75  
 E INV. = 75.75

PROP. STM LCB15  
 T/G = 76.50  
 NE INV. = 75.90

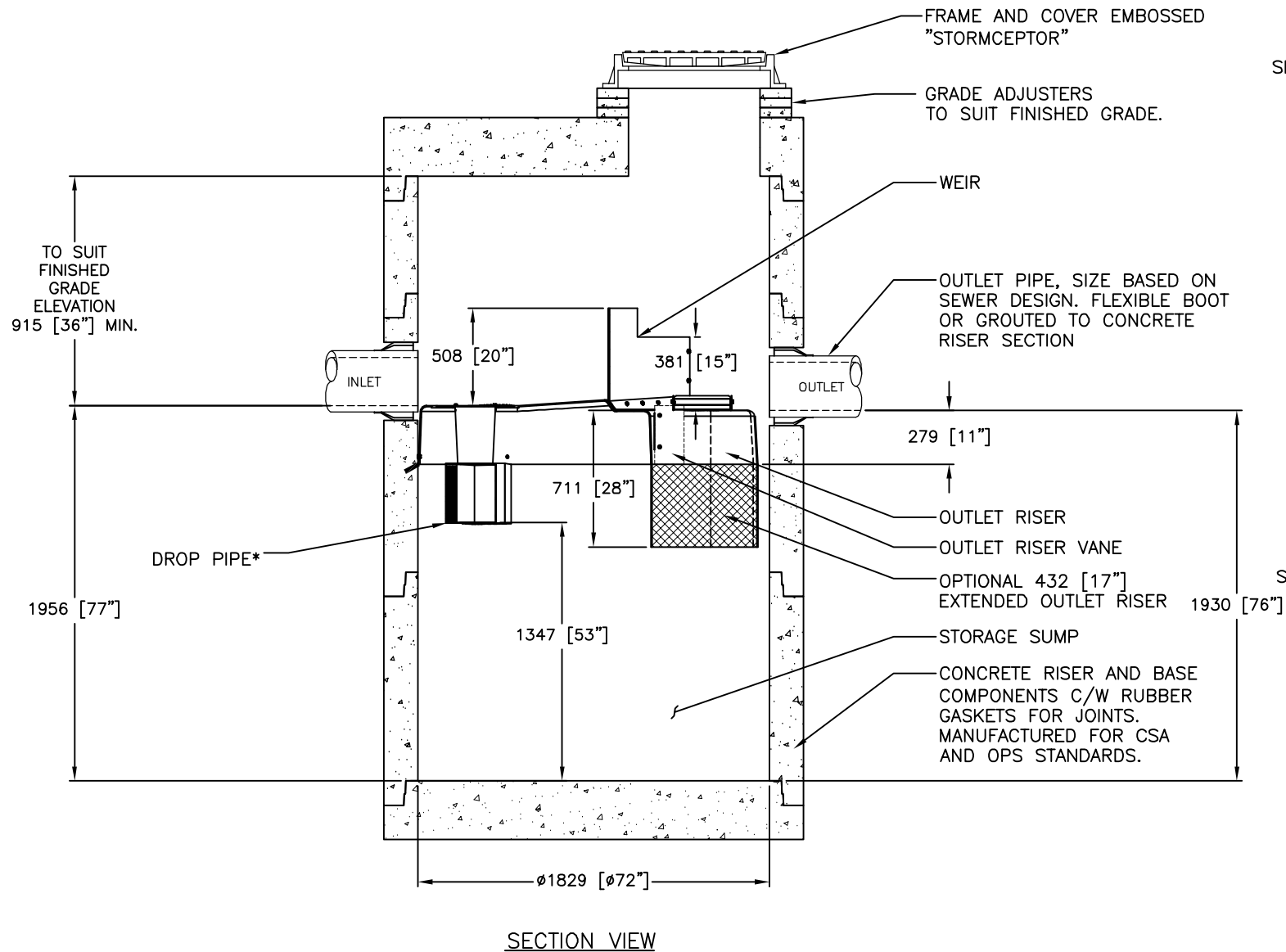
PROP. STM LCB16  
 T/G = 78.60  
 E INV. = 77.90

PROP. STM - 33 m - 200mm Ø

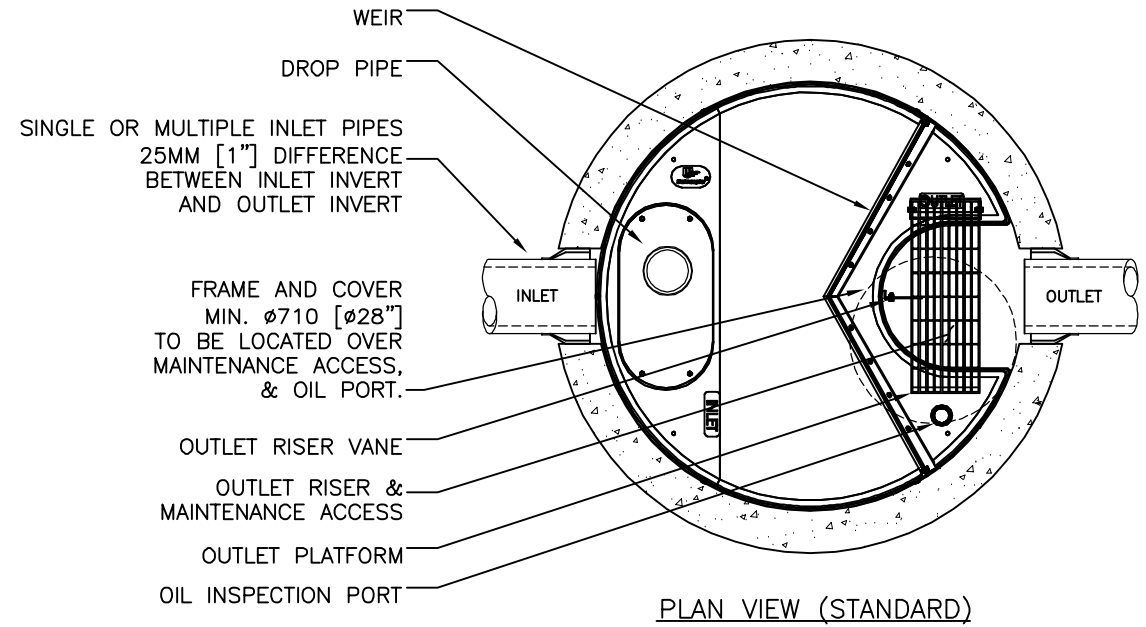




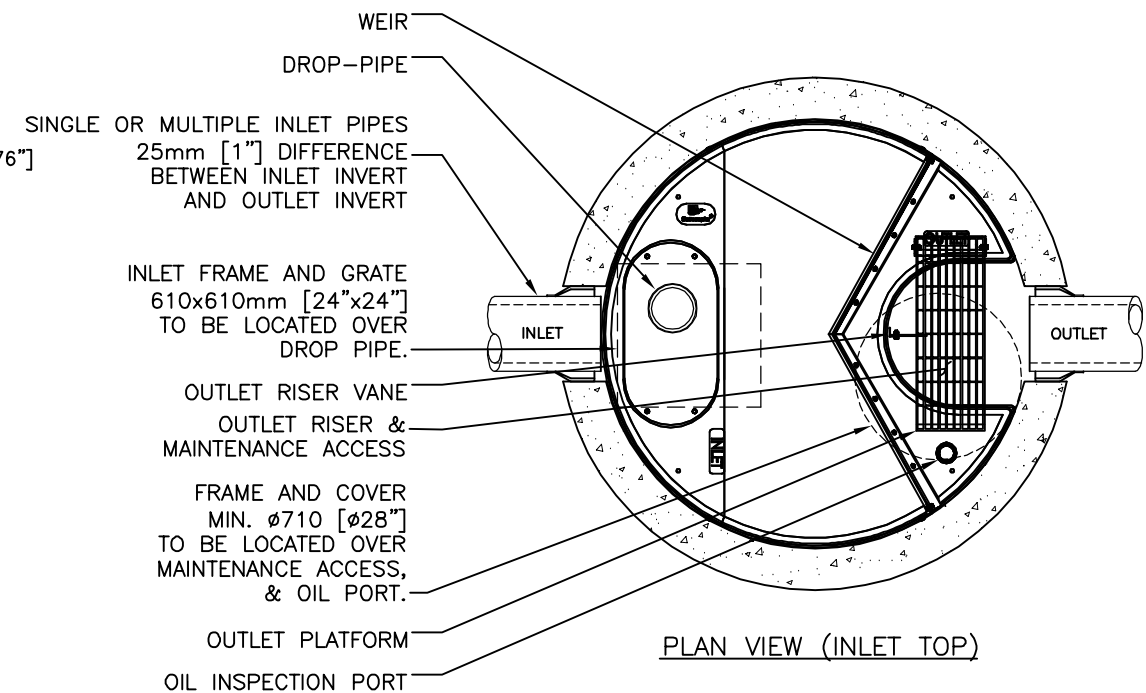
# DRAWING NOT TO BE USED FOR CONSTRUCTION



SECTION VIEW



PLAN VIEW (STANDARD)



PLAN VIEW (INLET TOP)

**GENERAL NOTES:**

- \* MAXIMUM SURFACE LOADING RATE (SLR) INTO LOWER CHAMBER THROUGH DROP PIPE IS 1135 L/min/m<sup>2</sup> (27.9 gpm/ft<sup>2</sup>) FOR STORMCEPTOR EF6 AND 535 L/min/m<sup>2</sup> (13.1 gpm/ft<sup>2</sup>) FOR STORMCEPTOR EFO6 (OIL CAPTURE CONFIGURATION).
- 1. ALL DIMENSIONS INDICATED ARE IN MILLIMETERS (INCHES) UNLESS OTHERWISE SPECIFIED.
- 2. STORMCEPTOR STRUCTURE INLET AND OUTLET PIPE SIZE AND ORIENTATION SHOWN FOR INFORMATIONAL PURPOSES ONLY.
- 3. UNLESS OTHERWISE NOTED, BYPASS INFRASTRUCTURE, SUCH AS ALL UPSTREAM DIVERSION STRUCTURES, CONNECTING STRUCTURES, OR PIPE CONDUITS CONNECTING TO COMPLETE THE STORMCEPTOR SYSTEM SHALL BE PROVIDED AND ADDRESSED SEPARATELY.
- 4. DRAWING FOR INFORMATION PURPOSES ONLY. REFER TO ENGINEER'S SITE/UTILITY PLAN FOR STRUCTURE ORIENTATION.
- 5. NO PRODUCT SUBSTITUTIONS SHALL BE ACCEPTED UNLESS SUBMITTED 10 DAYS PRIOR TO PROJECT BID DATE, OR AS DIRECTED BY THE ENGINEER OF RECORD.

**INSTALLATION NOTES**

- A. ANY SUB-BASE, BACKFILL DEPTH, AND/OR ANTI-FLOTATION PROVISIONS ARE SITE-SPECIFIC DESIGN CONSIDERATIONS AND SHALL BE SPECIFIED BY ENGINEER OF RECORD.
- B. CONTRACTOR TO PROVIDE EQUIPMENT WITH SUFFICIENT LIFTING AND REACH CAPACITY TO LIFT AND SET THE STRUCTURE (LIFTING CLUTCHES PROVIDED)
- C. CONTRACTOR WILL INSTALL AND LEVEL THE STRUCTURE, SEALING THE JOINTS, LINE ENTRY AND EXIT POINTS (NON-SHRINK GROUT WITH APPROVED WATERSTOP OR FLEXIBLE BOOT)
- D. CONTRACTOR TO TAKE APPROPRIATE MEASURES TO PROTECT THE DEVICE FROM CONSTRUCTION-RELATED EROSION RUNOFF.
- E. DEVICE ACTIVATION, BY CONTRACTOR, SHALL OCCUR ONLY AFTER SITE HAS BEEN STABILIZED AND THE STORMCEPTOR UNIT IS CLEAN AND FREE OF DEBRIS.

FOR SITE SPECIFIC DRAWINGS PLEASE CONTACT YOUR LOCAL STORMCEPTOR REPRESENTATIVE. SITE SPECIFIC DRAWINGS ARE BASED ON THE BEST AVAILABLE INFORMATION AT THE TIME. SOME FIELD REVISIONS TO THE SYSTEM LOCATION OR CONNECTION PIPING MAY BE NECESSARY BASED ON AVAILABLE SPACE OR SITE CONFIGURATION REVISIONS. ELEVATIONS SHOULD BE MAINTAINED EXCEPT WHERE NOTED ON BYPASS STRUCTURE (IF REQUIRED).

## STANDARD DETAIL NOT FOR CONSTRUCTION

**SITE SPECIFIC DATA REQUIREMENTS**

STORMCEPTOR MODEL	EFO6				
STRUCTURE ID	*				
HYDROCARBON STORAGE REQ'D (L)	*				
WATER QUALITY FLOW RATE (L/s)	*				
PEAK FLOW RATE (L/s)	*				
RETURN PERIOD OF PEAK FLOW (yrs)	*				
DRAINAGE AREA (HA)	*				
DRAINAGE AREA IMPERVIOUSNESS (%)	*				
PIPE DATA:	I.E.	MAT'L	DIA	SLOPE %	HGL
INLET #1	*	*	*	*	*
INLET #2	*	*	*	*	*
OUTLET	*	*	*	*	*

\* PER ENGINEER OF RECORD

This drawing and information shown on this drawing is provided as a service to the project owner, engineer and contractor by Imbrium Systems ("Imbrium"). Neither the drawing, nor any part thereof, may be reproduced, stored in a retrieval system, or transmitted in any form or by any means, electronic, mechanical, photocopying, recording, or by any information storage and retrieval system, without the prior written consent of Imbrium. It is to be used only for the project and site for which it was prepared. Imbrium expressly disclaims any liability or responsibility for such use. If discrepancies between the supplied information upon which this drawing is based and actual field conditions are discovered, the contractor shall be responsible for re-evaluation of the design. Imbrium accepts no liability for designs based on missing, incomplete or inaccurate information supplied by others.

MARK	DATE	REVISION DESCRIPTION	BY
###	###/###/###	INITIAL RELEASE	JSK
###	###/###/###	OUTLET PLATFORM	JSK
###	###/###/###		
###	###/###/###		

**Stormceptor® EF**

**imbrium**  
407 FAIRVIEW DRIVE, WHITBY, ON L1N 3J8  
TEL: 800-585-4801 CA 416-960-9800 INTL +1-416-960-9800  
The Stormceptor is a registered trademark of Imbrium Systems Inc. All rights reserved. © 2017 Imbrium Systems Inc. All other trademarks are the property of their respective owners.

DATE: 10/13/2017

DESIGNED: JSK	DRAWN: JSK
CHECKED: BSF	APPROVED: SP
PROJECT No.: EFO6	SEQUENCE No.: *
SHEET: 1	OF 1



Chamber Model -  
 Units -  
 Number of Chambers -  
 Number of End Caps -  
 Voids in the stone (porosity) -  
 Base of Stone Elevation -  
 Amount of Stone Above Chambers -  
 Amount of Stone Below Chambers -

MC-4500	
Metric	<a href="#">Click Here for Imperial</a>
28	
4	
40	%
78.16	m
305	mm
229	mm

Include Perimeter Stone in Calculations

142.7 sq.meters Min. Area - 107.736 sq.meters

Height of System (mm)	Incremental Single Chamber (cubic meters)	Incremental Single End Cap (cubic meters)	Incremental Chambers (cubic meters)	Incremental End Cap (cubic meters)	Incremental Stone (cubic meters)	Incremental Chamber, End Cap and Stone (cubic meters)	Cumulative System (cubic meters)	Elevation (meters)
2057	0.00	0.00	0.00	0.00	1.450	1.45	170.73	80.22
2032	0.00	0.00	0.00	0.00	1.450	1.45	169.28	80.20
2007	0.00	0.00	0.00	0.00	1.450	1.45	167.83	80.17
1981	0.00	0.00	0.00	0.00	1.450	1.45	166.39	80.15
1956	0.00	0.00	0.00	0.00	1.450	1.45	164.94	80.12
1930	0.00	0.00	0.00	0.00	1.450	1.45	163.49	80.09
1905	0.00	0.00	0.00	0.00	1.450	1.45	162.04	80.07
1880	0.00	0.00	0.00	0.00	1.450	1.45	160.59	80.04
1854	0.00	0.00	0.00	0.00	1.450	1.45	159.14	80.02
1829	0.00	0.00	0.00	0.00	1.450	1.45	157.69	79.99
1803	0.00	0.00	0.00	0.00	1.450	1.45	156.24	79.97
1778	0.00	0.00	0.00	0.00	1.450	1.45	154.79	79.94
1753	0.00	0.00	0.03	0.00	1.440	1.47	153.34	79.92
1727	0.00	0.00	0.09	0.00	1.410	1.51	151.87	79.89
1702	0.00	0.00	0.13	0.01	1.390	1.53	150.37	79.87
1676	0.01	0.00	0.17	0.01	1.380	1.55	148.84	79.84
1651	0.01	0.00	0.21	0.01	1.360	1.58	147.28	79.82
1626	0.01	0.00	0.36	0.01	1.300	1.67	145.70	79.79
1600	0.02	0.00	0.53	0.01	1.230	1.77	144.03	79.76
1575	0.02	0.00	0.63	0.02	1.190	1.84	142.26	79.74
1549	0.03	0.01	0.72	0.02	1.150	1.89	140.41	79.71
1524	0.03	0.01	0.80	0.02	1.120	1.94	138.52	79.69
1499	0.03	0.01	0.86	0.03	1.090	1.98	136.58	79.66
1473	0.03	0.01	0.92	0.03	1.070	2.02	134.60	79.64
1448	0.03	0.01	0.98	0.03	1.040	2.06	132.58	79.61
1422	0.04	0.01	1.03	0.04	1.020	2.09	130.52	79.59
1397	0.04	0.01	1.08	0.04	1.000	2.12	128.43	79.56
1372	0.04	0.01	1.12	0.04	0.980	2.15	126.31	79.54
1346	0.04	0.01	1.17	0.05		2.18	124.16	79.51
1321	0.04	0.01	1.21	0.05	0.950	2.20	121.98	79.48
1295	0.04	0.01	1.25	0.05		2.23	119.78	79.46
1270	0.05	0.01	1.29	0.06	0.910	2.25	117.55	79.43
1245	0.05	0.01	1.32	0.06		2.28	115.29	79.41
1219	0.05	0.02	1.36	0.06	0.880	2.30	113.01	79.38
1194	0.05	0.02	1.39	0.06		2.32	110.72	79.36
1168	0.05	0.02	1.42	0.07	0.850	2.34	108.40	79.33
1143	0.05	0.02	1.45	0.07		2.36	106.05	79.31
1118	0.05	0.02	1.48	0.07	0.830	2.38	103.70	79.28
1092	0.05	0.02	1.51	0.07		2.40	101.32	79.26
1067	0.05	0.02	1.53	0.08	0.810	2.41	98.92	79.23
1041	0.06	0.02	1.56	0.08		2.43	96.51	79.21
1016	0.06	0.02	1.58	0.08	0.780	2.45	94.08	79.18
991	0.06	0.02	1.61	0.08		2.46	91.63	79.15
965	0.06	0.02	1.63	0.09	0.760	2.48	89.17	79.13
940	0.06	0.02	1.65	0.09		2.49	86.69	79.10
914	0.06	0.02	1.67	0.09	0.740	2.51	84.19	79.08
889	0.06	0.02	1.69	0.09		2.52	81.69	79.05
864	0.06	0.02	1.71	0.09	0.730	2.53	79.17	79.03
838	0.06	0.02	1.73	0.10		2.55	76.63	79.00
813	0.06	0.02	1.75	0.10	0.710	2.56	74.09	78.98
787	0.06	0.03	1.77	0.10		2.57	71.53	78.95
762	0.06	0.03	1.78	0.10	0.690	2.58	68.96	78.93
737	0.06	0.03	1.80	0.10		2.59	66.38	78.90
711	0.06	0.03	1.81	0.10	0.680	2.60	63.79	78.88
686	0.07	0.03	1.83	0.11		2.61	61.19	78.85
660	0.07	0.03	1.84	0.11	0.670	2.62	58.58	78.82
635	0.07	0.03	1.86	0.11		2.63	55.96	78.80
610	0.07	0.03	1.87	0.11	0.660	2.64	53.33	78.77
584	0.07	0.03	1.88	0.11		2.65	50.69	78.75
559	0.07	0.03	1.90	0.11	0.650	2.65	48.05	78.72
533	0.07	0.03	1.91	0.11		2.66	45.39	78.70
508	0.07	0.03	1.92	0.12	0.640	2.67	42.73	78.67
483	0.07	0.03	1.93	0.12		2.68	40.06	78.65
457	0.07	0.03	1.94	0.12	0.630	2.68	37.38	78.62
432	0.07	0.03	1.95	0.12		2.69	34.70	78.60
406	0.07	0.03	1.96	0.12	0.620	2.69	32.01	78.57
381	0.07	0.03	1.96	0.12		2.70	29.32	78.55
356	0.07	0.03	1.97	0.12	0.610	2.70	26.62	78.52
330	0.07	0.03	1.98	0.12		2.71	23.91	78.49
305	0.07	0.03	1.99	0.12	0.610	2.72	21.20	78.47
279	0.07	0.03	1.99	0.12		2.72	18.49	78.44
254	0.07	0.03	2.00	0.13	0.600	2.73	15.77	78.42
229	0.00	0.00	0.00	0.00		1.45	13.04	78.39
203	0.00	0.00	0.00	0.00	1.450	1.45	11.59	78.37
178	0.00	0.00	0.00	0.00		1.45	10.14	78.34
152	0.00	0.00	0.00	0.00	1.450	1.45	8.69	78.32
127	0.00	0.00	0.00	0.00		1.45	7.25	78.29
102	0.00	0.00	0.00	0.00	1.450	1.45	5.80	78.27
76	0.00	0.00	0.00	0.00		1.45	4.35	78.24
51	0.00	0.00	0.00	0.00	1.450	1.45	2.90	78.21
25	0.00	0.00	0.00	0.00		1.45	1.45	78.19

# APPENDIX “E”

## Boundary Conditions

## Boundary Conditions 2396 Cleroux Street

### Provided Information

Scenario	Demand	
	L/min	L/s
Average Daily Demand	31	0.51
Maximum Daily Demand	76	1.27
Peak Hour	167	2.79
Fire Flow Demand #1	10,000	166.67

### Location



### Results

#### Connection 1 – Cleroux St.

Demand Scenario	Head (m)	Pressure <sup>1</sup> (psi)
Maximum HGL	131.0	67.8
Peak Hour	127.0	62.2
Max Day plus Fire 1	123.1	56.6

Ground Elevation = 83.2 m

**Connection 2 – Orient Park Dr.**

<b>Demand Scenario</b>	<b>Head (m)</b>	<b>Pressure<sup>1</sup> (psi)</b>
Maximum HGL	131.0	70.2
Peak Hour	127.0	64.6
Max Day plus Fire 1	120.1	54.8

Ground Elevation = 81.6 m

**Disclaimer**

*The boundary condition information is based on current operation of the city water distribution system. The computer model simulation is based on the best information available at the time. The operation of the water distribution system can change on a regular basis, resulting in a variation in boundary conditions. The physical properties of watermains deteriorate over time, as such must be assumed in the absence of actual field test data. The variation in physical watermain properties can therefore alter the results of the computer model simulation. Fire Flow analysis is a reflection of available flow in the watermain; there may be additional restrictions that occur between the watermain and the hydrant that the model cannot take into account.*

# APPENDIX “F”

## Engineering Drawings



**EROSION AND SEDIMENT CONTROL MEASURES:**

\*\* CONTRACTOR IS RESPONSIBLE FOR ALL INSTALLATION, MONITORING, REPAIR AND REMOVAL OF ALL EROSION AND SEDIMENT CONTROL FEATURES \*\*

**1. PRIOR TO START OF CONSTRUCTION:**

- 1.1. PRIOR TO THE REMOVAL OF ANY VEGETATIVE COVER, MOVING OF ANY SOIL, AND CONSTRUCTION:
  - 1.1.1. INSTALL SILT FENCE IMMEDIATELY DOWNSTREAM FROM AREAS TO BE DISTURBED (SEE PLAN FOR LOCATION).
  - 1.1.2. INSTALL GEOSOCK INSERTS WITH AN OVERFLOW IN ALL THE DOWNSTREAM CATCH BASINS AND MANHOLES.
  - 1.1.3. INSTALL SILTSACK FILTERS IN ALL CONCRETE CATCH BASIN STRUCTURES.
  - 1.1.4. INSPECT MEASURES IMMEDIATELY AFTER INSTALLATION.

**2. DURING CONSTRUCTION:**

- 2.1. WORK TO BE DONE IN THE VICINITY OF MAJOR WATERWAYS TO BE CARRIED OUT FROM JULY TO SEPTEMBER ONLY.
- 2.2. MINIMIZE THE EXTENT OF DISTURBED AREAS AND THE DURATION OF EXPOSURE.
- 2.3. PROTECT DISTURBED AREAS FROM RUNOFF.
- 2.4. PROVIDE TEMPORARY COVER SUCH AS SEEDING OR MULCHING IF DISTURBED AREA WILL NOT BE REHABILITATED WITHIN 30 DAYS.
- 2.5. INSPECT SILT FENCE, FILTER CLOTHS, AND CATCH BASIN SUMPS WEEKLY AND AFTER EVERY MAJOR STORM EVENT. CLEAN AND REPAIR WHEN NECESSARY.
- 2.6. PLAN TO BE REVIEWED AND REVISED AS REQUIRED DURING CONSTRUCTION.
- 2.7. EROSION CONTROL FENCING TO BE ALSO INSTALLED AROUND THE BASE OF ALL STOCKPILES.
- 2.8. DO NOT LOCATE TOPSOIL PILES AND EXCAVATION MATERIAL CLOSER THAN 2.5m FROM ANY PAVED SURFACE, OR ONE WHICH IS TO BE PAVED BEFORE PILE IS REMOVED. ALL TOPSOIL PILES ARE TO BE SEEDED IF THEY ARE TO REMAIN ON SITE LONG ENOUGH FOR SEEDS TO GROW (30 DAYS).

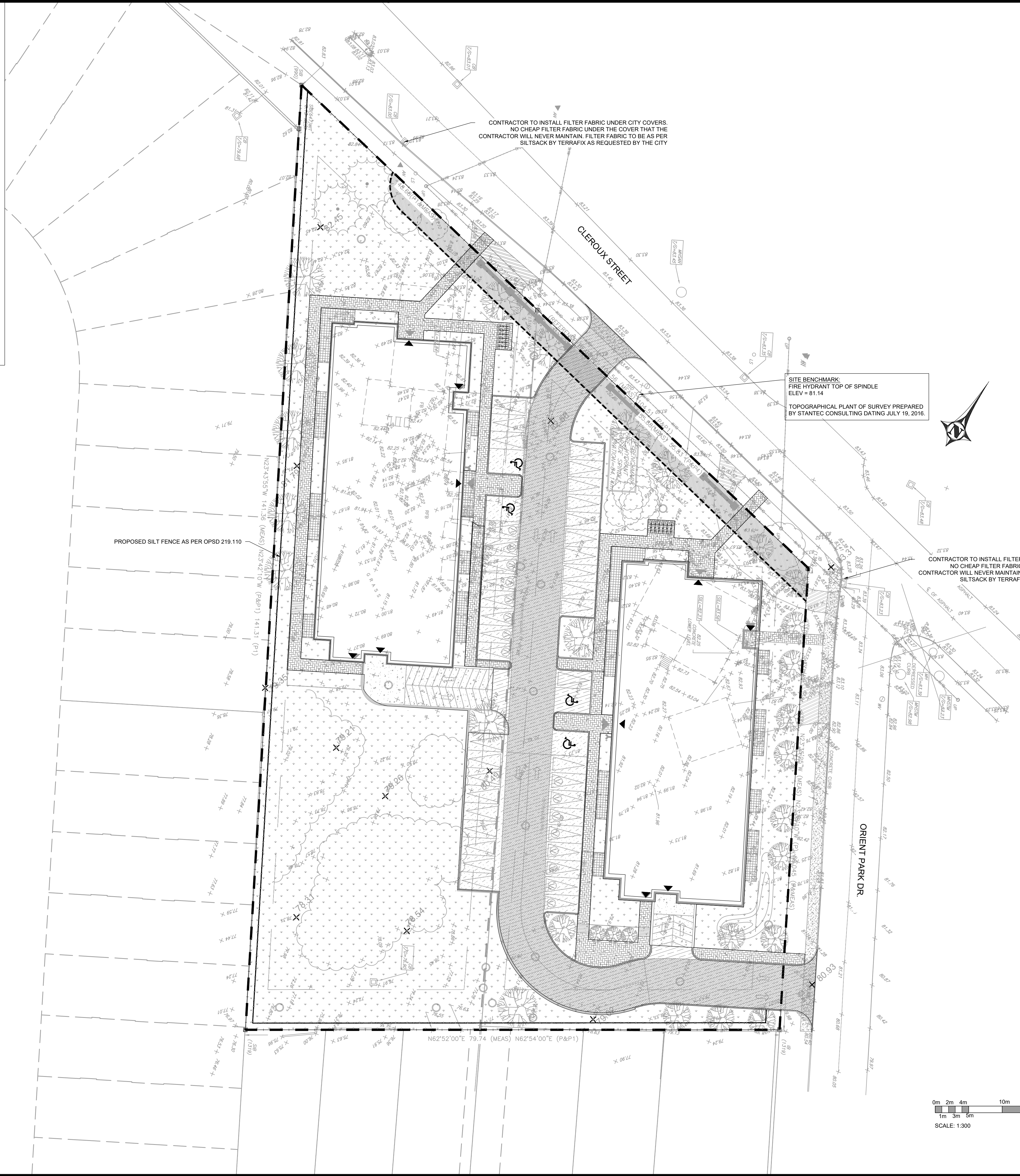
- 2.9. CONTROL WIND-BLOWN DUST OFF SITE TO ACCEPTABLE LEVELS BY SEEDING TOPSOIL PILES AND OTHER AREAS TEMPORARILY (PROVIDE WATERING AS REQUIRED).
  - 2.10. ALL EROSION CONTROL STRUCTURE TO REMAIN IN PLACE UNTIL ALL DISTURBED GROUND SURFACES HAVE BEEN STABILIZED EITHER BY PAVING OR RESTORATION OF VEGETATIVE GROUND COVER.
  - 2.11. NO ALTERNATE METHODS OF EROSION PROTECTION SHALL BE PERMITTED UNLESS APPROVED BY THIS CONSULTING ENGINEER AND THE CITY DEPARTMENT OF PUBLIC WORKS. TO PREVENT UNNECESSARY SEDIMENT DISCHARGE, THE CONTRACTOR IS PERMITTED TO PLACE ADDITIONAL SEDIMENT AND EROSION CONTROL MEASURES IN A TIMELY MANNER, IF REQUIRED. THE CONTRACTOR TO ADVISE CONSULTANT ONCE INSTALLED FOR INSPECTION.
  - 2.12. CONTRACTOR RESPONSIBLE FOR CITY ROADWAY AND SIDEWALK TO BE CLEANED OF ALL SEDIMENT FROM VEHICULAR TRACKING ETC. AT THE END OF EACH WORK DAY.
  - 2.13. PROVIDE GRAVEL ENTRANCE WHEREVER EQUIPMENT LEAVES THE SITE TO PREVENT MUD TRACKING ONTO PAVED SURFACES. GRAVEL BED SHALL BE A MINIMUM OF 15m LONG, 4m WIDE AND 0.3m DEEP AND SHALL CONSIST OF COARSE (50mm CRUSHER-RUN LIMESTONE). MAINTAIN GRAVEL ENTRANCE IN CLEAN CONDITION.
  - 2.14. DURING WET CONDITIONS, TIRES OF ALL VEHICLES/EQUIPMENT LEAVING THE SITE ARE TO BE SCRAPPED.
  - 2.15. ANY MUD/MATERIAL TRACKED ONTO THE ROAD SHALL BE REMOVED IMMEDIATELY BY HAND OR RUBBER TIRE LOADER.
  - 2.16. TAKE ALL NECESSARY STEPS TO PREVENT BUILDING MATERIAL, CONSTRUCTION DEBRIS OR WASTE BEING SPILLED OR TRACKED ONTO ADJUTING PROPERTIES OR PUBLIC STREETS DURING CONSTRUCTION AND PROCEED IMMEDIATELY TO CLEAN UP ANY AREAS SO AFFECTED.
- 3. AFTER CONSTRUCTION:**
- 3.1. PROVIDE PERMANENT COVER CONSISTING OF TOPSOIL AND SEED TO DISTURBED AREA.
  - 3.2. REMOVE STRAW BALE FLOW CHECK DAMS, SILT FENCES AND FILTER CLOTHS ON CATCH BASINS AND MANHOLE COVERS AFTER DISTURBED AREAS HAVE BEEN REHABILITATED AND STABILIZED.
  - 3.3. INSPECT AND CLEAN CATCH BASIN SUMPS AND STORM SEWERS.

**LEGEND:**

- EXISTING PROPERTY LINE TO REMAIN
- - - PROPOSED EASEMENT
- - - PROPOSED TERRACING (3:1 MIN.)
- ▽ PROPOSED DOOR ENTRANCE/EXIT
- +50.00 PROPOSED ELEVATION
- +50.00HP PROPOSED HIGH POINT ELEVATION
- +50.00SW PROPOSED SWALE ELEVATION
- +50.00EX MATCH INTO EXISTING ELEVATION
- +50.00SD PROPOSED SIDEWALK
- +50.19 EXISTING ELEVATION
- PROPOSED OVERLAND MAJOR FLOW ROUTE
- PROPOSED SILT FENCE AS PER OPSD 219.110
- PROPOSED 100mm PERFORATED SUBDRAIN
- PROPOSED STORM SEWER
- PROPOSED SANITARY SEWER
- PROPOSED WATERMAIN
- EXISTING SANITARY SEWER
- EXISTING WATERMAIN
- PROPOSED CATCHBASIN/MANHOLE/CATCH-BASIN
- PROPOSED CURB STOP
- PROPOSED PIPE INSULATION
- PROPOSED 100 YEAR HIGH WATER LEVEL
- STORM WATERSHED EXTENT
- WATERSHED NAME
- RUNOFF COEFFICIENT
- AREA IN HECTARES
- PROPOSED GRASS AREA
- PROPOSED CONCRETE FEATURES/SLAB
- PROPOSED HEAVY DUTY ASPHALT
- PROPOSED LIGHT DUTY ASPHALT
- PROPOSED GRAVEL AREA
- PROPOSED RIP RAP AS PER OPSD 810.010
- PROPOSED WATER METER
- PROPOSED ACCESS GATE
- PROPOSED GROWING FIELD

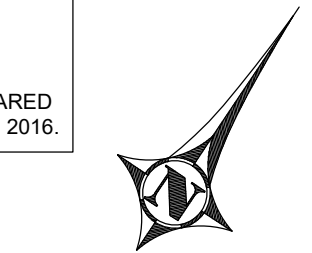
g or invalid reference  
 .\..l..Desktop\OPSD 219.110 Rev#2 Nov15.pdf

g or invalid reference  
 .\..l..Desktop\OPSD 219.110 Rev#2 Nov15.pdf



CONTRACTOR TO INSTALL FILTER FABRIC UNDER CITY COVERS.  
 NO CHEAP FILTER FABRIC UNDER THE COVER THAT THE  
 CONTRACTOR WILL NEVER MAINTAIN. FILTER FABRIC TO BE AS PER  
 SILTSACK BY TERRAFIX AS REQUESTED BY THE CITY

SITE BENCHMARK  
 FIRE HYDRANT TOP OF SPINDLE  
 ELEV = 81.14  
 TOPOGRAPHICAL PLANT OF SURVEY PREPARED  
 BY STANTEC CONSULTING DATING JULY 19, 2016.



CONTRACTOR TO INSTALL FILTER FABRIC UNDER CITY COVERS.  
 NO CHEAP FILTER FABRIC UNDER THE COVER THAT THE  
 CONTRACTOR WILL NEVER MAINTAIN. FILTER FABRIC TO BE AS PER  
 SILTSACK BY TERRAFIX AS REQUESTED BY THE CITY

COPYRIGHT RESERVED  
 THE CONTRACTOR SHALL VERIFY AND BE RESPONSIBLE OF ALL  
 DIMENSIONS. DO NOT SCALE THE DRAWING. ANY ERRORS OR  
 OMISSIONS SHALL BE REPORTED TO BLANCHARD LETENDRE  
 ENGINEERING LTD. WITHOUT DELAY. THE CONTRACTOR SHALL DESIGN  
 AND DRAWINGS ARE THE PROPERTY OF BLANCHARD LETENDRE  
 ENGINEERING LTD. REPRODUCTION OR USE FOR ANY PURPOSE OTHER  
 THAN THAT AUTHORIZED BY BLANCHARD LETENDRE ENGINEERING LTD.  
 IS STRICTLY PROHIBITED.

**ENGINEERING STAMP**

#6		
#7		
#8		
#9		
#4		
#3	ISSUED AS PER CITY COMMENTS	05/05/2022
#2	ISSUED FOR SPA	04/02/2022
#1	ISSUED FOR SPA	19/03/2021
NO. REVISION		DATE (DDMMYYYY)

**BLANCHARD LETENDRE ENGINEERING**

767, Notre Dame, Local 42, Embrun, Ontario,  
 (613) 693-0700 K0A 1R1 blengineering.ca

**CLIENT:**  
**BRIDOR DEVELOPMENTS**  
 996-B ST. AUGUSTIN RD.  
 EMBRUN, ON

**PROJECT:**  
**NEW RESIDENTIAL DEVELOPMENT**  
 2396 CLEROUX CRES,  
 OTTAWA, ON

**DRAWING:**  
**SEDIMENT & EROSION CONTROL PLAN**

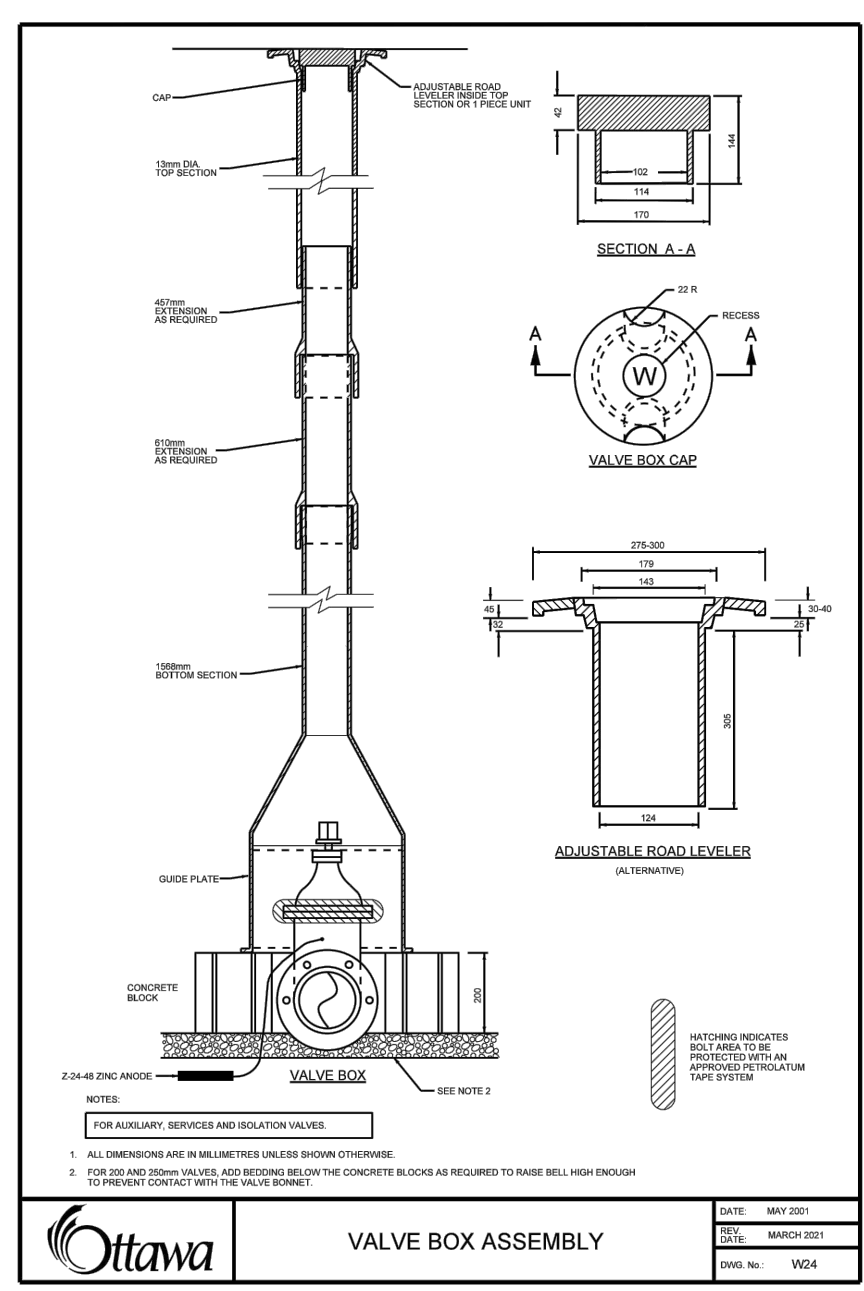
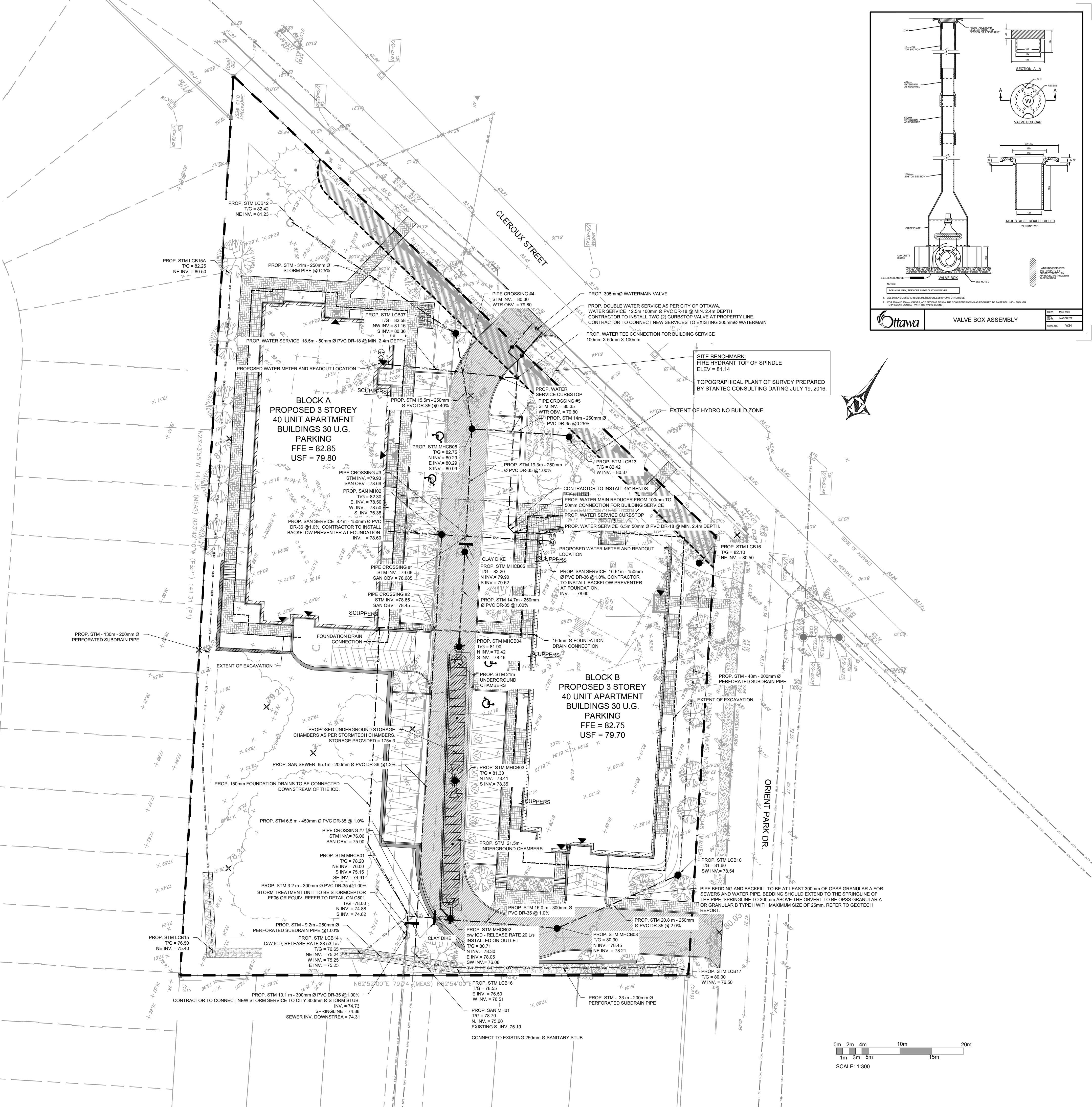
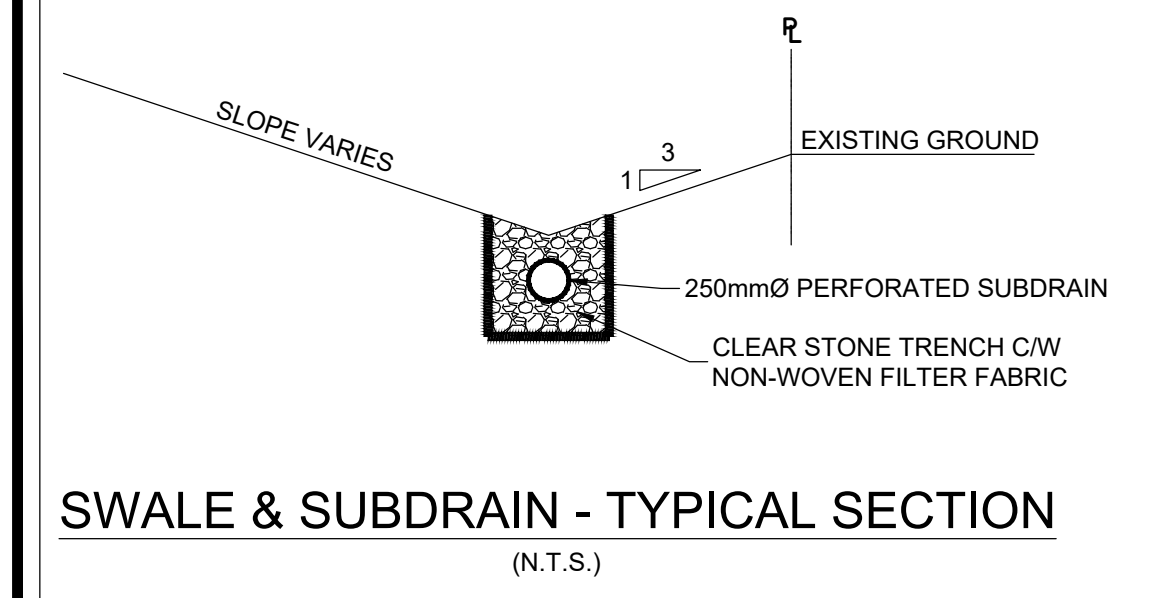
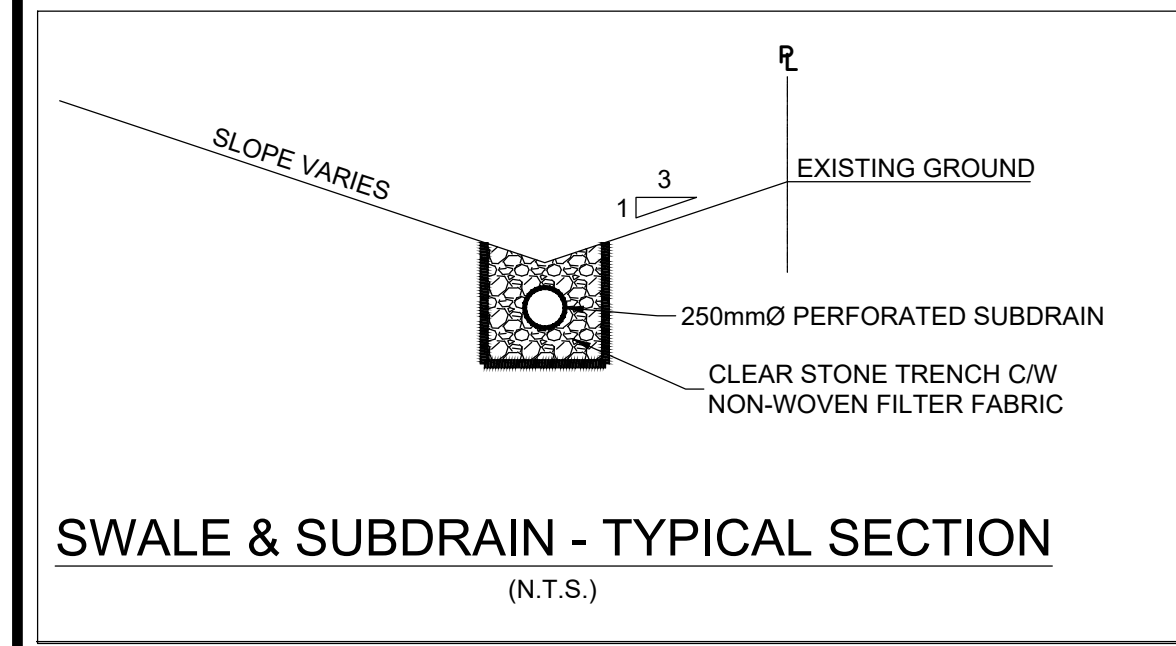
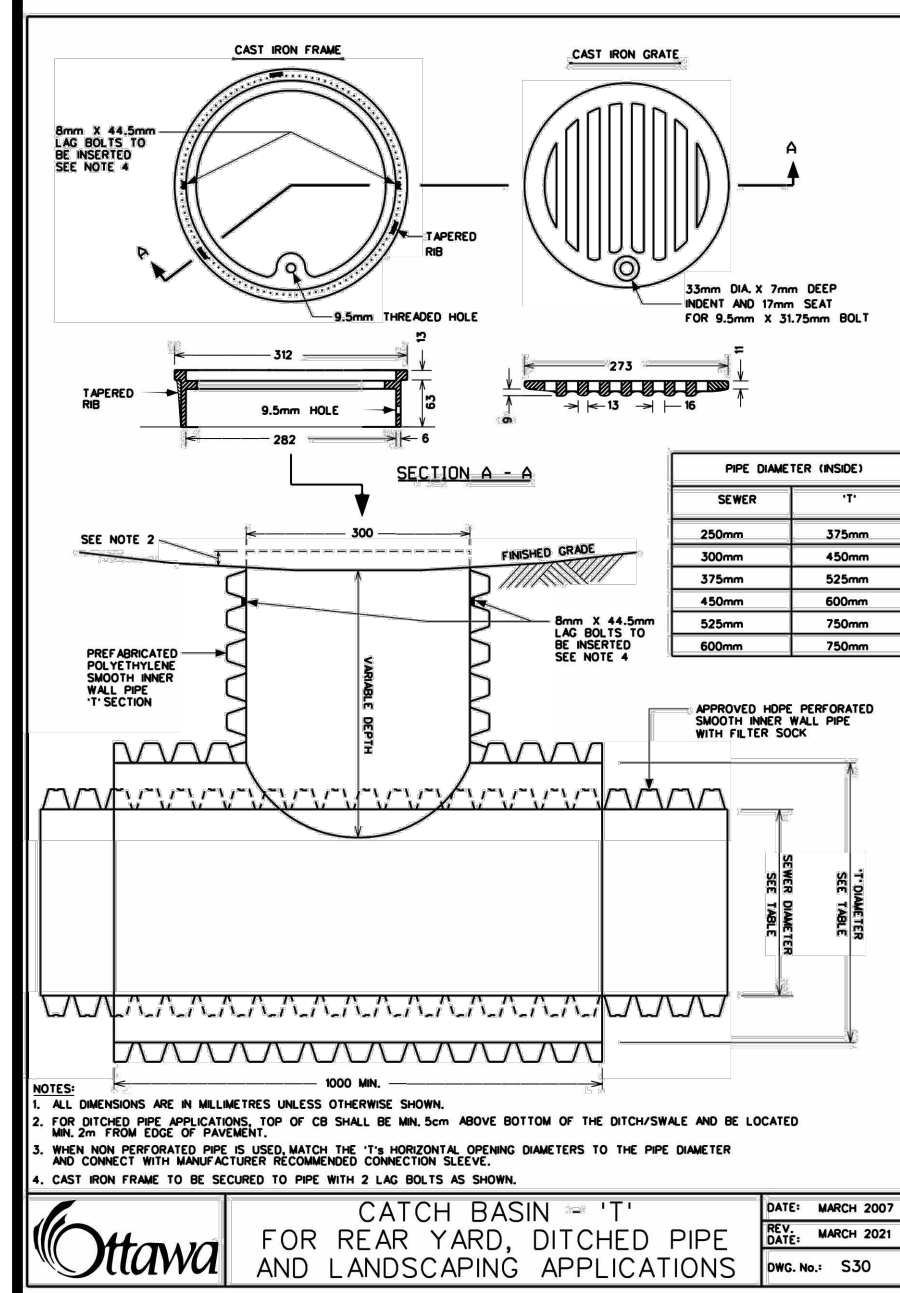
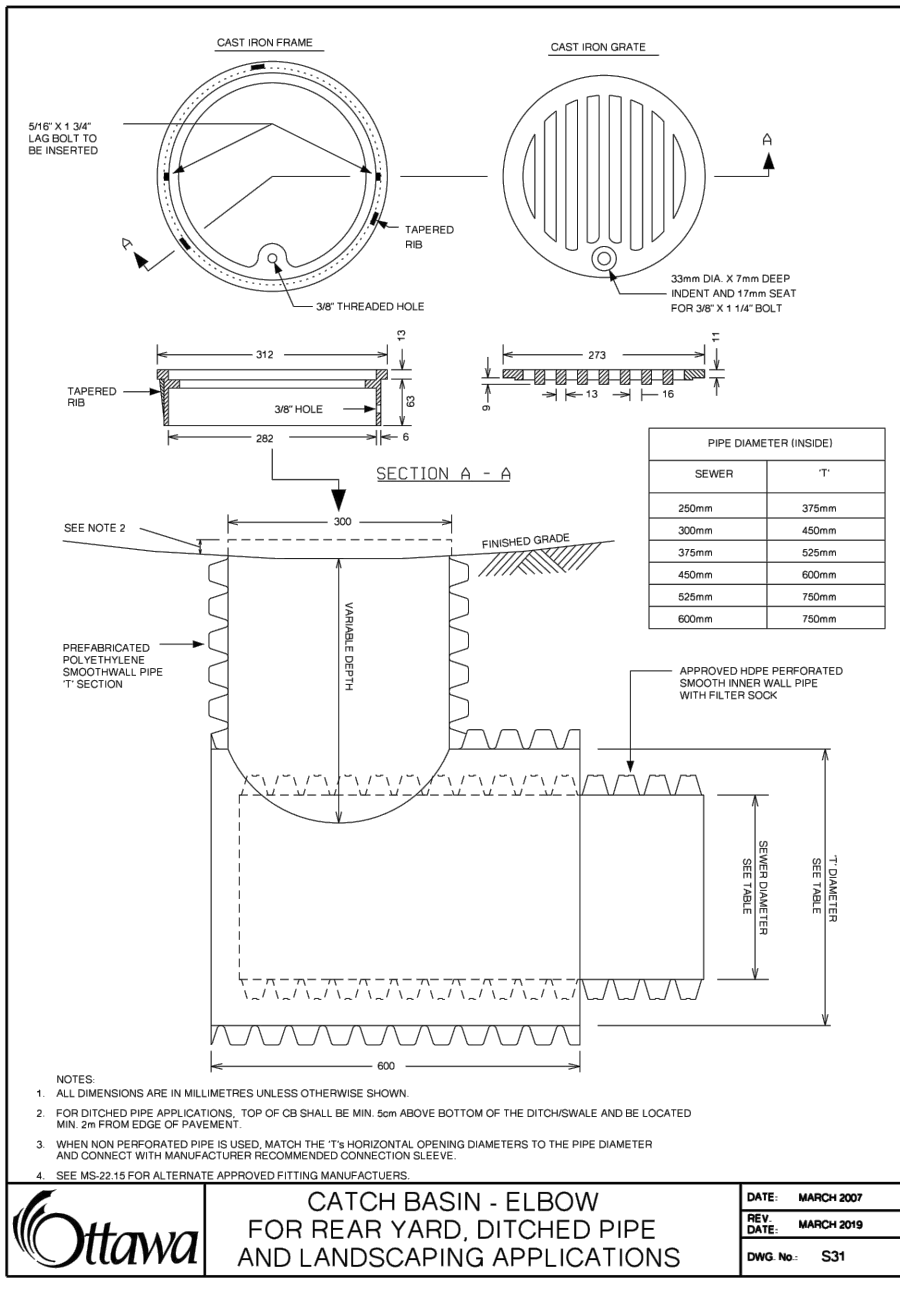
PAPER FORMAT:	24x36	<b>PAGE:</b>  <b>C100</b>
DRAWN BY:	BF + GB	
CHECKED BY:	GB	
DATE:	02-20-2022	
SCALE:	1:300	
PROJECT NUMBER:	20-305	







- LEGEND:**
- EXISTING PROPERTY LINE TO REMAIN
  - PROPOSED EASEMENT
  - PROPOSED TERRACING (3.1 MIN.)
  - PROPOSED DOOR ENTRANCE/EXIT
  - +50.00 PROPOSED ELEVATION
  - +50.00HP PROPOSED HIGH POINT ELEVATION
  - +50.00SW PROPOSED SWALE ELEVATION
  - +50.00EX MATCH INTO EXISTING ELEVATION
  - +50.00SD PROPOSED SIDEWALK
  - +50.00SD EXISTING ELEVATION
  - 0.15
  - PROPOSED OVERLAND MAJOR FLOW ROUTE
  - PROPOSED SILT FENCE AS PER OPSD 219.110
  - PROPOSED 100mm PERFORATED SUBDRAIN
  - PROPOSED SANITARY SEWER
  - PROPOSED WATERMAIN
  - EXISTING SANITARY SEWER
  - EXISTING WATERMAIN
  - PROPOSED CATCHBASIN/MANHOLE/CATCHBASIN
  - PROPOSED CURB STOP
  - PROPOSED PIPE INSULATION
  - PROPOSED 100 YEAR HIGH WATER LEVEL
  - STORM WATERSED EXTENT
  - WATERSHED NAME
  - RUNOFF COEFFICIENT
  - AREA IN HECTARES
  - PROPOSED GRASS AREA
  - PROPOSED CONCRETE FEATURES/SLAB
  - PROPOSED HEAVY DUTY ASPHALT
  - PROPOSED LIGHT DUTY ASPHALT
  - PROPOSED GRAVEL AREA
  - PROPOSED RIP RAP AS PER OPSD 810.010
  - PROPOSED WATER METER
  - PROPOSED ACCESS GATE
  - PROPOSED GROWING FIELD



**COPYRIGHT RESERVED**  
 THE CONTRACTOR SHALL VERIFY AND BE RESPONSIBLE FOR ALL DIMENSIONS. DO NOT SCALE THE DRAWING. ANY ERRORS OR OMISSIONS SHALL BE REPORTED TO BLANCHARD LETENDRE ENGINEERING LTD. WITHOUT DELAY. THE CONTRACTOR'S ALL DESIGN AND DRAWINGS ARE THE PROPERTY OF BLANCHARD LETENDRE ENGINEERING LTD. REPRODUCTION OR USE FOR ANY PURPOSE OTHER THAN THAT AUTHORIZED BY BLANCHARD LETENDRE ENGINEERING LTD. IS STRICTLY PROHIBITED.

**ENGINEERING STAMP**

NO.	REVISION	DATE (DDMMYYYY)
#3	ISSUED AS PER CITY COMMENTS	05/06/2022
#2	ISSUED FOR SPA	04/02/2022
#1	ISSUED FOR SPA	19/03/2021

**BLANCHARD LETENDRE ENGINEERING**  
 767, Notre Dame, Local 42, Embrun, Ontario,  
 (613) 693-0700 K0A 1R1 blngengineering.ca

**CLIENT:**  
**BRIDOR DEVELOPMENTS**  
 996-B ST. AUGUSTIN RD.  
 EMBRUN, ON

**PROJECT:**  
**NEW RESIDENTIAL DEVELOPMENT**  
 2396 CLEROUX CRES,  
 OTTAWA, ON

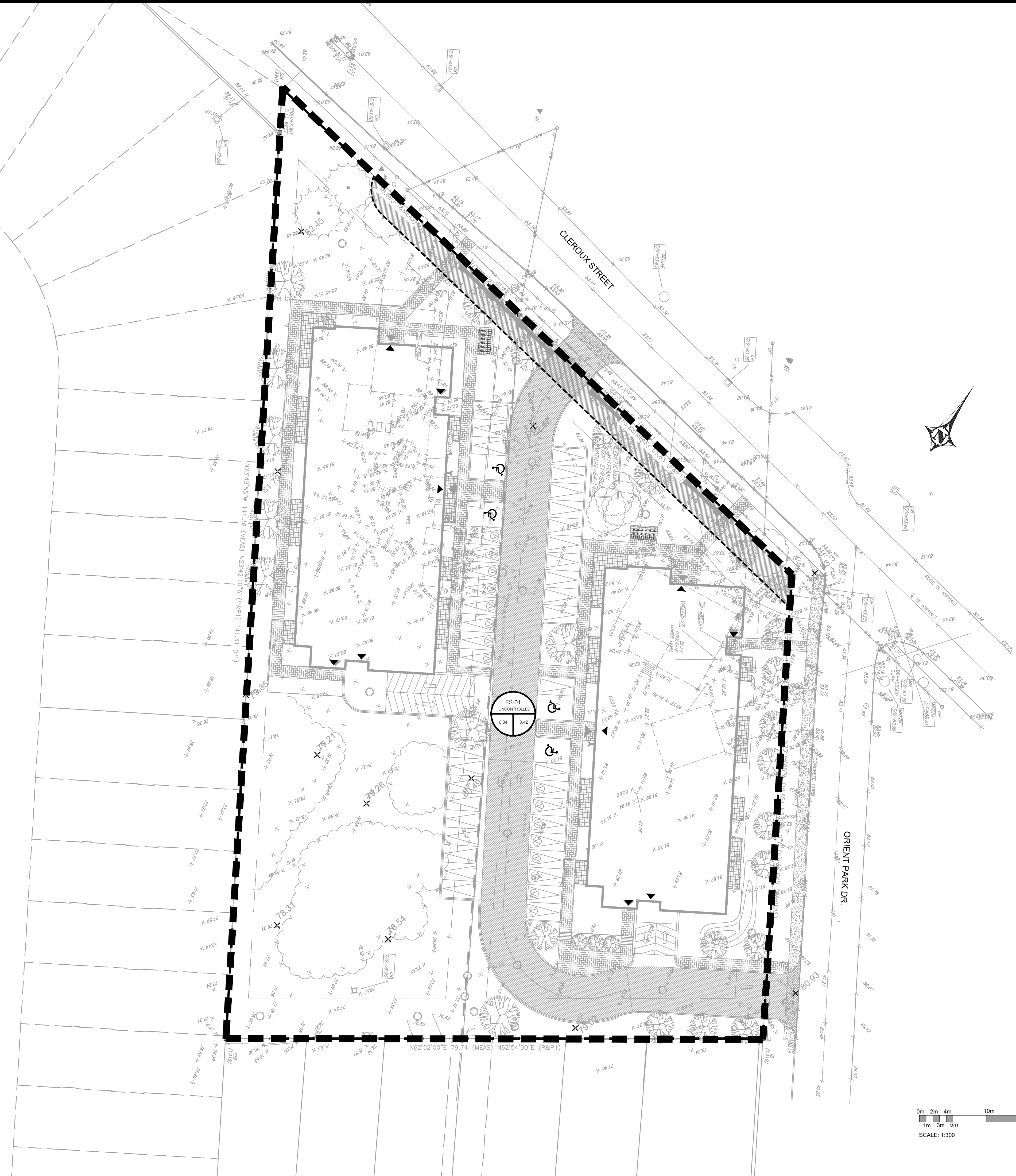
**DRAWING:**  
**SITE SERVICING PLAN**

PAPER FORMAT:	24x36	PAGE:
DRAWN BY:	BF + GB	C300
CHECKED BY:	GB	
DATE:	02-2022	
SCALE:	1:300	
PROJECT NUMBER:	20-305	



**LEGEND:**

- EXISTING PROPERTY LINE TO REMAIN
- - - PROPOSED EASEMENT
- PROPOSED TERRACING (0.1 MIN)
- ▼ PROPOSED DOOR ENTRANCE/EKT
- +50.00 PROPOSED ELEVATION
- +50.00HP PROPOSED HIGH POINT ELEVATION
- +50.00SW PROPOSED SWALE ELEVATION
- +50.00EX MATCH INTO EXISTING ELEVATION
- +50.00SD PROPOSED SIDEWALK EXISTING ELEVATION
- +70.19 EXISTING ELEVATION
- PROPOSED OVERLAND MAJOR FLOW ROUTE
- PROPOSED 3/1% FENCE AS PER OPSD 219 110
- PROPOSED 100mm PERFORATED SUBDRAIN
- PROPOSED STORM SEWER
- PROPOSED SANITARY SEWER
- PROPOSED WATERMAN
- EXISTING SANITARY SEWER
- EXISTING WATERMAN
- PROPOSED CATCHBASIN-MANHOLE/CATCHBASIN
- PROPOSED CURB STOP
- PROPOSED PIPE INSULATION
- PROPOSED 100 YEAR HIGH WATER LEVEL
- STORM WATERSHED EXTENT
- WATERSHED NAME
- RUNOFF COEFFICIENT
- AREA IN HECTARES
- PROPOSED GRASS AREA
- PROPOSED CONCRETE FEATURES/SLAB
- PROPOSED HEAVY DUTY ASPHALT
- PROPOSED LIGHT DUTY ASPHALT
- PROPOSED GRAVEL AREA
- PROPOSED RIP RAP AS PER OPSD 810.010
- PROPOSED WATER METER
- PROPOSED ACCESS GATE
- PROPOSED GROWING FIELD



COPYRIGHT RESERVED  
THE CONTRACTOR SHALL VERIFY AND BE RESPONSIBLE OF ALL DIMENSIONS. DO NOT SCALE THE DRAWING. ANY ERRORS OR OMISSIONS SHALL BE REPORTED TO BLANCHARD LETENDRE ENGINEERING LTD. WITHOUT DELAY. THE COPYRIGHTS TO ALL DESIGN AND DRAWINGS ARE THE PROPERTY OF BLANCHARD LETENDRE ENGINEERING LTD. REPRODUCTION OR USE FOR ANY PURPOSE OTHER THAN THAT AUTHORIZED BY BLANCHARD LETENDRE ENGINEERING LTD. IS STRICTLY PROHIBITED.

**ENGINEERING STAMP**

PROFESSIONAL ENGINEER  
G. L. BRUNET  
100191036  
11/7/2021  
PROVINCE OF ONTARIO

#0	
#1	
#2	
#3	
#4	
#5	
#6	
#7	
#8	
#9	
#10	
#11	
#12	
#13	
#14	
#15	
#16	
#17	
#18	
#19	
#20	
#21	
#22	
#23	
#24	
#25	
#26	
#27	
#28	
#29	
#30	
#31	
#32	
#33	
#34	
#35	
#36	
#37	
#38	
#39	
#40	
#41	
#42	
#43	
#44	
#45	
#46	
#47	
#48	
#49	
#50	
#51	
#52	
#53	
#54	
#55	
#56	
#57	
#58	
#59	
#60	
#61	
#62	
#63	
#64	
#65	
#66	
#67	
#68	
#69	
#70	
#71	
#72	
#73	
#74	
#75	
#76	
#77	
#78	
#79	
#80	
#81	
#82	
#83	
#84	
#85	
#86	
#87	
#88	
#89	
#90	
#91	
#92	
#93	
#94	
#95	
#96	
#97	
#98	
#99	
#100	

**BLANCHARD LETENDRE ENGINEERING**

767, Notre Dame, Local 42, Embrun, Ontario,  
(613) 693-0700 K0A 1R1 blngengineering.ca

**CLIENT:**  
**BRIDOR DEVELOPMENTS**  
996-B ST. AUGUSTIN RD.  
EMBRUN, ON

**PROJECT:**  
**NEW RESIDENTIAL DEVELOPMENT**  
2396 CLEROUX CRES,  
OTTAWA, ON

**DRAWING:**  
**PRE-DEVELOPMENT DRAINAGE**

PAPER FORMAT:	24x36
DRAWN BY:	BF + GB
CHECKED BY:	GB
DATE:	02-2022
SCALE:	1:300
PROJECT NUMBER:	20-305

**PAGE:**  
**C400**







**COPYRIGHT RESERVED**  
 THE CONTRACTOR SHALL VERIFY AND BE RESPONSIBLE OF ALL DIMENSIONS. DO NOT SCALE THE DRAWING. ANY ERRORS OR OMISSIONS SHALL BE REPORTED TO BLANCHARD LETENDRE ENGINEERING LTD. WITHOUT DELAY. THE CONTRACTOR'S DESIGN AND DRAWINGS ARE THE PROPERTY OF BLANCHARD LETENDRE ENGINEERING LTD. REPRODUCTION OR USE FOR ANY PURPOSE OTHER THAN THAT AUTHORIZED BY BLANCHARD LETENDRE ENGINEERING LTD. IS STRICTLY PROHIBITED.

PROJECT INFORMATION	
ENGINEERED PROJECT MANAGER:	HADER NASRULLAH HADER.NASRULLAH@ADS-PIPE.COM
ADS SALES REP:	MICHAEL REED 613-862-4186 MICHAEL.REED@ADS-PIPE.COM
PROJECT NO.:	5298AS
ADS SITE COORDINATOR:	MATTHEW BEGIN 613-710-9827 MATTHEW.BEGIN@ADS-PIPE.COM



## 2396 CLEROUX CRESCENT OTTAWA, ON.

### MC-4500 STORMTECH CHAMBER SPECIFICATIONS

- CHAMBERS SHALL BE STORMTECH MC-4500.
- CHAMBERS SHALL BE ARCH-SHAPED AND SHALL BE MANUFACTURED FROM VIRGIN, IMPACT-MODIFIED POLYPROPYLENE COPOLYMERS.
- CHAMBERS SHALL BE CERTIFIED TO CSA B14 "POLYMERIC SUB-SURFACE STORMWATER MANAGEMENT STRUCTURES" AND MEET THE REQUIREMENTS OF ASTM F218 "STANDARD SPECIFICATION FOR POLYPROPYLENE (PP) CORRUGATED WALL STORMWATER COLLECTION CHAMBERS" CHAMBER CLASSIFICATION 601101.
- CHAMBER ROWS SHALL PROVIDE CONTINUOUS, UNOBSTRUCTED INTERNAL SPACE WITH NO INTERNAL SUPPORTS THAT WOULD IMPEDE FLOW OR LIMIT ACCESS FOR INSPECTION.
- THE STRUCTURAL DESIGN OF THE CHAMBERS, THE STRUCTURAL BACKFILL, AND THE INSTALLATION REQUIREMENTS SHALL ENSURE THAT THE LOAD FACTORS SPECIFIED IN THE AASHTO LEAD BRIDGE DESIGN SPECIFICATIONS SECTION 12.12 ARE MET FOR: 1) LONG-DURATION DEAD LOADS AND 2) SHORT-DURATION LIVE LOADS, BASED ON THE CSA S6 CL-625 TRUCK AND THE AASHTO DESIGN TRUCK WITH CONSIDERATION FOR IMPACT AND MULTIPLE VEHICLE PRESENCES.
- CHAMBERS SHALL BE DESIGNED, TESTED AND ALLOWABLE LOAD CONFIGURATIONS DETERMINED IN ACCORDANCE WITH ASTM F2787 "STANDARD PRACTICE FOR STRUCTURAL DESIGN OF THERMOPLASTIC CORRUGATED WALL STORMWATER COLLECTION CHAMBERS". LOAD CONFIGURATIONS SHALL INCLUDE: 1) INSTANTANEOUS (1 MIN) AASHTO DESIGN TRUCK LIVE LOAD ON MINIMUM COVER 2) MAXIMUM PERMANENT (75-TR) COVER LOAD AND 3) ALLOWABLE COVER WITH PARKED (1-WEEK) AASHTO DESIGN TRUCK.
- REQUIREMENTS FOR HANDLING AND INSTALLATION:
  - TO MAINTAIN THE WIDTH OF CHAMBERS DURING SHIPPING AND HANDLING, CHAMBERS SHALL HAVE INTEGRAL, INTERLOCKING STACKING LOGS.
  - TO ENSURE A SECURE JOINT DURING INSTALLATION AND BACKFILL, THE HEIGHT OF THE CHAMBER JOINT SHALL NOT BE LESS THAN 75 mm (3").
  - TO ENSURE THE INTEGRITY OF THE ARCH SHAPE DURING INSTALLATION, a) THE ARCH STIFFNESS CONSTANT SHALL BE GREATER THAN OR EQUAL TO 400 LB-IN. THE ARCH IS DEFINED IN SECTION 6.2.4 OF ASTM F218, AND b) TO RESIST CHAMBER DEFORMATION DURING INSTALLATION AT ELEVATED TEMPERATURES (ABOVE 23° C / 73° F), CHAMBERS SHALL BE PRODUCED FROM REFLECTIVE GOLD OR YELLOW COLORS.
- ONLY CHAMBERS THAT ARE APPROVED BY THE SITE DESIGN ENGINEER WILL BE ALLOWED. UPON REQUEST BY THE SITE DESIGN ENGINEER OR OWNER, THE CHAMBER MANUFACTURER SHALL SUBMIT A STRUCTURAL EVALUATION FOR APPROVAL BEFORE DELIVERING CHAMBERS TO THE PROJECT SITE AS FOLLOWS:
  - THE STRUCTURAL EVALUATION SHALL BE SEALED BY A REGISTERED PROFESSIONAL ENGINEER.
  - THE STRUCTURAL EVALUATION SHALL DEMONSTRATE THAT THE SAFETY FACTORS ARE GREATER THAN OR EQUAL TO 1.66 FOR DEAD LOAD AND 1.75 FOR LIVE LOAD, THE MINIMUM REQUIRED BY ASTM F2787 AND BY SECTIONS 3 AND 12.12 OF THE AASHTO LEAD BRIDGE DESIGN SPECIFICATIONS FOR THERMOPLASTIC PIPE.
  - THE TEST DERIVED CREEP MODULUS AS SPECIFIED IN ASTM F218 SHALL BE USED FOR PERMANENT DEAD LOAD DESIGN EXCEPT THAT IT SHALL BE THE 75-YEAR MODULUS USED FOR DESIGN.
- CHAMBERS AND END CAPS SHALL BE PRODUCED AT AN ISO 9001 CERTIFIED MANUFACTURING FACILITY.

### IMPORTANT - NOTES FOR THE BIDDING AND INSTALLATION OF MC-4500 CHAMBER SYSTEM

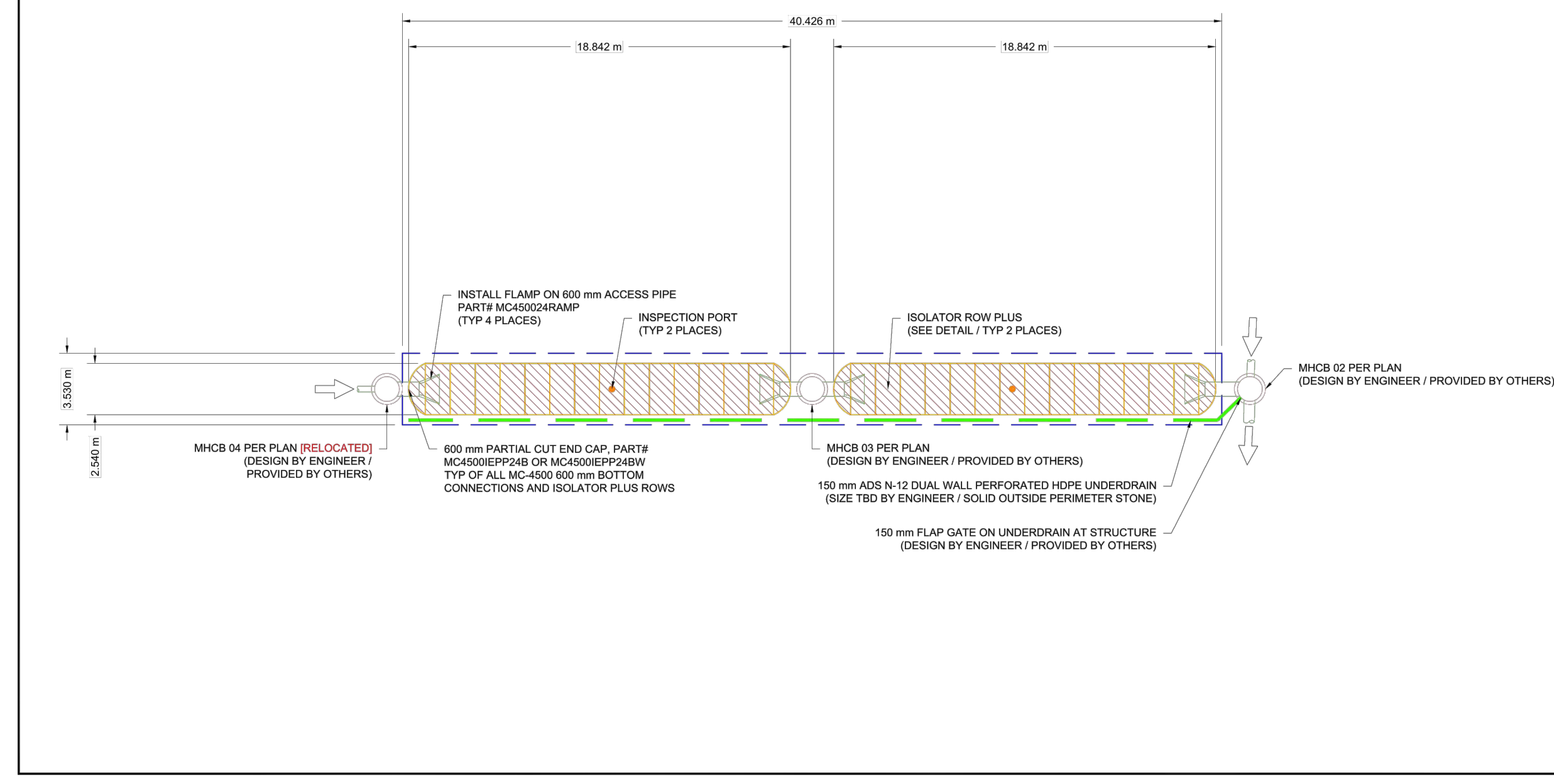
- STORMTECH MC-4500 CHAMBERS SHALL NOT BE INSTALLED UNTIL THE MANUFACTURER'S REPRESENTATIVE HAS COMPLETED A PRE-CONSTRUCTION MEETING WITH THE INSTALLERS.
  - STORMTECH MC-4500 CHAMBERS SHALL BE INSTALLED IN ACCORDANCE WITH THE "STORMTECH MC-3000/MC-4500 CONSTRUCTION GUIDE".
  - CHAMBERS ARE NOT TO BE BACKFILLED WITH A DOZER OR EXCAVATOR SITUATED OVER THE CHAMBERS. STORMTECH RECOMMENDS 3 BACKFILL METHODS:
    - STONE SHOOTER LOCATED OFF THE CHAMBER BED.
    - BACKFILL AS ROWS ARE BUILT USING AN EXCAVATOR ON THE FOUNDATION STONE OR SUBGRADE.
    - BACKFILL FROM OUTSIDE THE EXCAVATION USING A LONG BOOM HOE OR EXCAVATOR.
  - THE FOUNDATION STONE SHALL BE LEVELLED AND COMPACTED PRIOR TO PLACING CHAMBERS.
  - JOINTS BETWEEN CHAMBERS SHALL BE PROPERLY SEATED PRIOR TO PLACING STONE.
  - MAINTAIN MINIMUM - 230 mm (9") SPACING BETWEEN THE CHAMBER ROWS.
  - INLET AND OUTLET MANIFOLDS MUST BE INSERTED A MINIMUM OF 300 mm (12") INTO CHAMBER END CAPS.
  - EMBEDMENT STONE SURROUNDING CHAMBERS MUST BE A CLEAN, CRUSHED, ANGULAR STONE WELL GRADED BETWEEN 1" AND 2" (20-50 mm).
  - STONE SHALL BE BROUGHT UP EVENLY AROUND CHAMBERS 80% AS NOT TO DISTORT THE CHAMBER SHAPE. STONE DEPTHS SHOULD NEVER EXCEED BY MORE THAN 300 mm (12") BETWEEN ADJACENT CHAMBER ROWS.
  - STONE MUST BE PLACED ON THE TOP CENTER OF THE CHAMBER TO ANCHOR THE CHAMBERS IN PLACE AND PRESERVE ROW SPACING.
  - THE CONTRACTOR MUST REPORT ANY DISCREPANCIES WITH CHAMBER FOUNDATION MATERIAL BEARING CAPACITIES TO THE SITE DESIGN ENGINEER.
  - ADS RECOMMENDS THE USE OF "FLEXSTANCH CATCH IT" INSERTS DURING CONSTRUCTION FOR ALL INLETS TO PROTECT THE SUBSURFACE STORMWATER MANAGEMENT SYSTEM FROM CONSTRUCTION SITE RUNOFF.
- NOTES FOR CONSTRUCTION EQUIPMENT**
- STORMTECH MC-4500 CHAMBERS SHALL BE INSTALLED IN ACCORDANCE WITH THE "STORMTECH MC-3000/MC-4500 CONSTRUCTION GUIDE".
  - THE USE OF EQUIPMENT OVER MC-4500 CHAMBERS IS LIMITED:
    - NO EQUIPMENT IS ALLOWED ON BARE CHAMBERS.
    - NO RUBBER TIED LOADERS OR EXCAVATORS ARE ALLOWED UNLESS PROPER FILL DEPTHS ARE REACHED IN ACCORDANCE WITH THE "STORMTECH MC-3000/MC-4500 CONSTRUCTION GUIDE".
    - WEIGHT LIMITS FOR CONSTRUCTION EQUIPMENT CAN BE FOUND IN THE "STORMTECH MC-3000/MC-4500 CONSTRUCTION GUIDE".
  - FULL 300 mm (9") OF STABILIZED COVER MATERIALS OVER THE CHAMBERS IS REQUIRED FOR DUMP TRUCK TRAVEL OR DUMPING.
  - USE OF A DOZER TO PUSH EMBEDMENT STONE BETWEEN THE ROWS OF CHAMBERS MAY CAUSE DAMAGE TO CHAMBERS AND IS NOT AN ACCEPTABLE BACKFILL METHOD. ANY CHAMBERS DAMAGED BY USING THE "DUMP AND PUSH" METHOD ARE NOT COVERED UNDER THE STORMTECH STANDARD WARRANTY.
- CONTACT STORMTECH AT 1-888-892-2694 WITH ANY QUESTIONS ON INSTALLATION REQUIREMENTS OR WEIGHT LIMITS FOR CONSTRUCTION EQUIPMENT.

PROPOSED LAYOUT	
26	STORMTECH MC-4500 CHAMBERS
4	STORMTECH MC-4500 END CAPS
206	STONE ABOVE (mm)
229	STONE BELOW (mm)
40	STONE VOID
179.8	INSTALLED SYSTEM VOLUME (m³) (PERMETER STONE INCLUDED)
14.7	SYSTEM PERIMETER (m)
67.3	SYSTEM PERIMETER (m)

PROPOSED ELEVATIONS	
82.051	MAXIMUM ALLOWABLE GRADE (TOP OF PAVEMENT UNPAVED)
80.078	MINIMUM ALLOWABLE GRADE (UNPAVED WITH TRAFFIC)
80.527	MINIMUM ALLOWABLE GRADE (UNPAVED NO TRAFFIC)
80.527	MINIMUM ALLOWABLE GRADE (BASE OF FLEXIBLE PAVEMENT)
80.527	MINIMUM ALLOWABLE GRADE (TOP OF RIGID PAVEMENT)
80.222	TOP OF STONE
79.917	TOP OF MC-4500 CHAMBER
78.451	600 mm ISOLATOR ROW PLUS INVERT
78.393	BOTTOM OF MC-4500 CHAMBER
78.164	BOTTOM OF STONE

- NOTES**
- MANHOLD SIZE TO BE DETERMINED BY SITE DESIGN ENGINEER. SEE TECHNICAL NOTE 632 FOR MANHOLD SIZING GUIDANCE.
  - DOE TO THE ADAPTATION OF THIS CHAMBER SYSTEM TO SPECIFIC SITE AND DESIGN CONSTRAINTS, IT MAY BE NECESSARY TO CUT AND COUPLE ADDITIONAL PIPE TO STANDARD MANHOLD COMPONENTS IN THE FIELD.
  - THE SITE DESIGN ENGINEER MUST REVIEW ELEVATIONS AND IF NECESSARY ADJUST GRADING TO ENSURE THE CHAMBER COVER REQUIREMENTS ARE MET.
  - THIS CHAMBER SYSTEM WAS DESIGNED WITHOUT SITE-SPECIFIC INFORMATION ON SOIL CONDITIONS OR BEARING CAPACITY. THE SITE DESIGN ENGINEER IS RESPONSIBLE FOR DETERMINING THE SUITABILITY OF THE SOIL AND PROVIDING THE BEARING CAPACITY OF THE INSTALLED SOILS. THE BASE STONE DEPTH MAY BE INCREASED OR DECREASED ONCE THIS INFORMATION IS PROVIDED.



2396 CLEROUX CRESCENT  
OTTAWA, ON.

DATE: 12/20/21 DRAWN: MAD CHECKED: RWD

PROJECT # 5298AS

SCALE = 1 : 200

4660 TRUDMAN BLVD  
HELAND, ON L4Z0B  
888-892-2694 | WWW.STORMTECH.COM

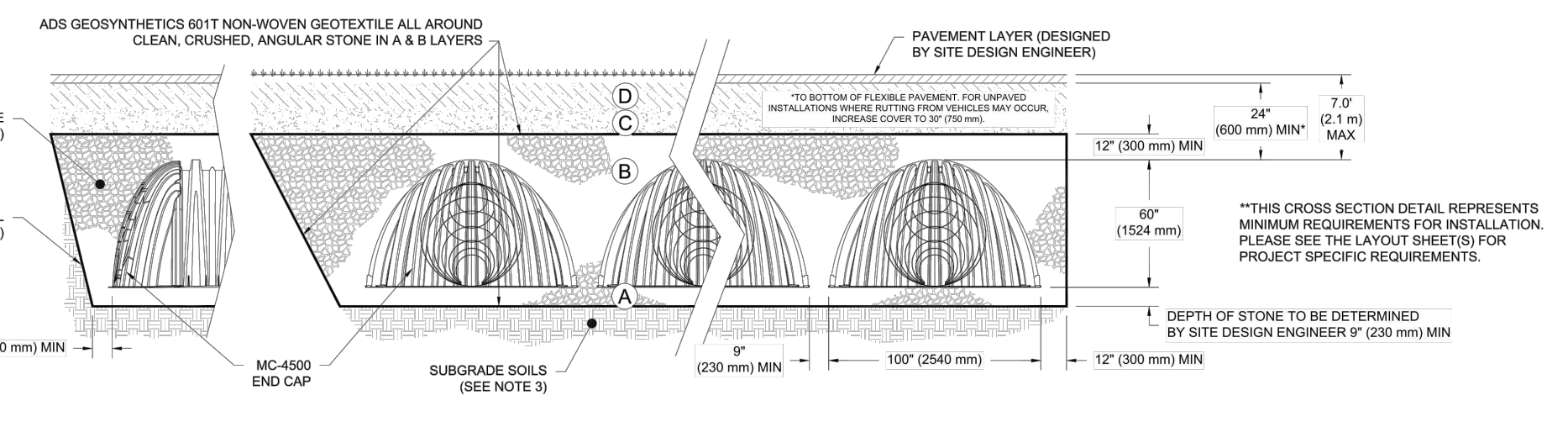
StormTech Chamber System

3 SHEET OF 5

### ACCEPTABLE FILL MATERIALS: STORMTECH MC-4500 CHAMBER SYSTEMS

MATERIAL LOCATION	DESCRIPTION	AASHTO MATERIAL CLASSIFICATIONS	COMPACTION / DENSITY REQUIREMENT
D	FINAL FILL: FILL MATERIAL FOR LAYER 'D' STARTS FROM THE TOP OF THE 'C' LAYER TO THE BOTTOM OF THE FINISHED GRADE OR UNPAVED FINISHED GRADE ABOVE. NOTE THAT PAVEMENT SUBBASE MAY BE PART OF THE 'D' LAYER.	N/A	PREPARE PER SITE DESIGN ENGINEER'S PLANS. PAVED INSTALLATIONS MAY HAVE STRINGENT MATERIAL AND PREPARATION REQUIREMENTS.
C	INITIAL FILL: FILL MATERIAL FOR LAYER 'C' STARTS FROM THE TOP OF THE EMBEDMENT STONE (X) LAYER TO 24" (600 mm) ABOVE THE TOP OF THE CHAMBER. NOTE THAT PAVEMENT SUBBASE MAY BE A PART OF THE 'C' LAYER.	AASHTO M145 <sup>1</sup> A-1, A-2, A-3 OR AASHTO M33 <sup>2</sup> 3, 357, 4, 467, 5, 56, 57, 6, 67, 68, 7, 78, 8, 89, 9, 10	BEGIN COMPACTIONS AFTER 24" (600 mm) OF MATERIAL OVER THE CHAMBERS IS REACHED. COMPACT ADDITIONAL LAYERS TO 12" (300 mm) MAX LIFTS TO A MIN. 95% PROCTOR DENSITY FOR WELL GRADED MATERIAL AND 90% RELATIVE DENSITY FOR PROCESSED AGGREGATE MATERIALS.
B	EMBEDMENT STONE: FILL SURROUNDING THE CHAMBERS FROM THE FOUNDATION STONE (X) LAYER TO THE 'C' LAYER ABOVE.	AASHTO M33 <sup>2</sup> 3, 4	NO COMPACTION REQUIRED.
A	FOUNDATION STONE: FILL BELOW CHAMBERS FROM THE SUBGRADE UP TO THE FOOT (BOTTOM) OF THE CHAMBER.	AASHTO M33 <sup>2</sup> 3, 4	PLATE COMPACT OR ROLL TO ACHIEVE A FLAT SURFACE. <sup>2,3</sup>

- PLEASE NOTE:
- THE LISTED AASHTO DESIGNATIONS ARE FOR GRADATIONS ONLY. THE STONE MUST ALSO BE CLEAN, CRUSHED, ANGULAR. FOR EXAMPLE, A SPECIFICATION FOR A STONE WOULD STATE: "CLEAN, CRUSHED, ANGULAR NO. 4 (AASHTO M33) STONE".
  - STORMTECH COMPACTION REQUIREMENTS ARE MET FOR A LOCATION MATERIALS WHEN PLACED AND COMPACTED IN 9" (230 mm) MAX LIFTS USING TWO FULL COVERAGES WITH A VIBRATORY COMPACTOR.
  - WHERE INFILTRATION SURFACES MAY BE COMPROMISED BY COMPACTION, FOR STANDARD DESIGN LOAD CONDITIONS, A FLAT SURFACE MAY BE ACHIEVED BY RAKING OR DRAGGING WITHOUT COMPACTION EQUIPMENT. FOR SPECIAL LOAD DESIGNS, CONTACT STORMTECH FOR COMPACTION REQUIREMENTS.
  - ONCE LAYER 'C' IS PLACED, ANY SOLI-MATERIAL CAN BE PLACED IN LAYER 'D' UP TO THE FINISHED GRADE. MOST PAVEMENT SUBBASE SOILS CAN BE USED TO REPLACE THE MATERIAL REQUIREMENTS OF LAYER 'C' OR 'D' AT THE SITE DESIGN ENGINEER'S DISCRETION.



- NOTES:**
- CHAMBERS SHALL MEET THE REQUIREMENTS OF ASTM F218 "STANDARD SPECIFICATION FOR POLYPROPYLENE (PP) CORRUGATED WALL STORMWATER COLLECTION CHAMBERS" CHAMBER CLASSIFICATION 601101.
  - MC-4500 CHAMBERS SHALL BE DESIGNED IN ACCORDANCE WITH ASTM F2787 "STANDARD PRACTICE FOR STRUCTURAL DESIGN OF THERMOPLASTIC CORRUGATED WALL STORMWATER COLLECTION CHAMBERS".
  - THE SITE DESIGN ENGINEER IS RESPONSIBLE FOR ASSESSING THE BEARING RESISTANCE (ALLOWABLE BEARING CAPACITY) OF THE SUBGRADE SOILS AND THE DEPTH OF FOUNDATION STONE WITH CONSIDERATION FOR THE RANGE OF EXPECTED SOIL MOISTURE CONDITIONS.
  - PERIMETER STONE MUST BE EXTENDED HORIZONTALLY TO THE EXCAVATION WALL FOR BOTH VERTICAL AND SLOPED EXCAVATION WALLS.
  - REQUIREMENTS FOR HANDLING AND INSTALLATION:
    - TO MAINTAIN THE WIDTH OF CHAMBERS DURING SHIPPING AND HANDLING, CHAMBERS SHALL HAVE INTEGRAL, INTERLOCKING STACKING LOGS.
    - TO ENSURE A SECURE JOINT DURING INSTALLATION AND BACKFILL, THE HEIGHT OF THE CHAMBER JOINT SHALL NOT BE LESS THAN 75 mm (3").
    - TO ENSURE THE INTEGRITY OF THE ARCH SHAPE DURING INSTALLATION, a) THE ARCH STIFFNESS CONSTANT AS DEFINED IN SECTION 6.2.4 OF ASTM F218 SHALL BE GREATER THAN OR EQUAL TO 400 LB-SIN. AND b) TO RESIST CHAMBER DEFORMATION DURING INSTALLATION AT ELEVATED TEMPERATURES (ABOVE 73° F / 23° C), CHAMBERS SHALL BE PRODUCED FROM REFLECTIVE GOLD OR YELLOW COLORS.

2396 CLEROUX CRESCENT  
OTTAWA, ON.

DATE: 12/20/21 DRAWN: MAD CHECKED: RWD

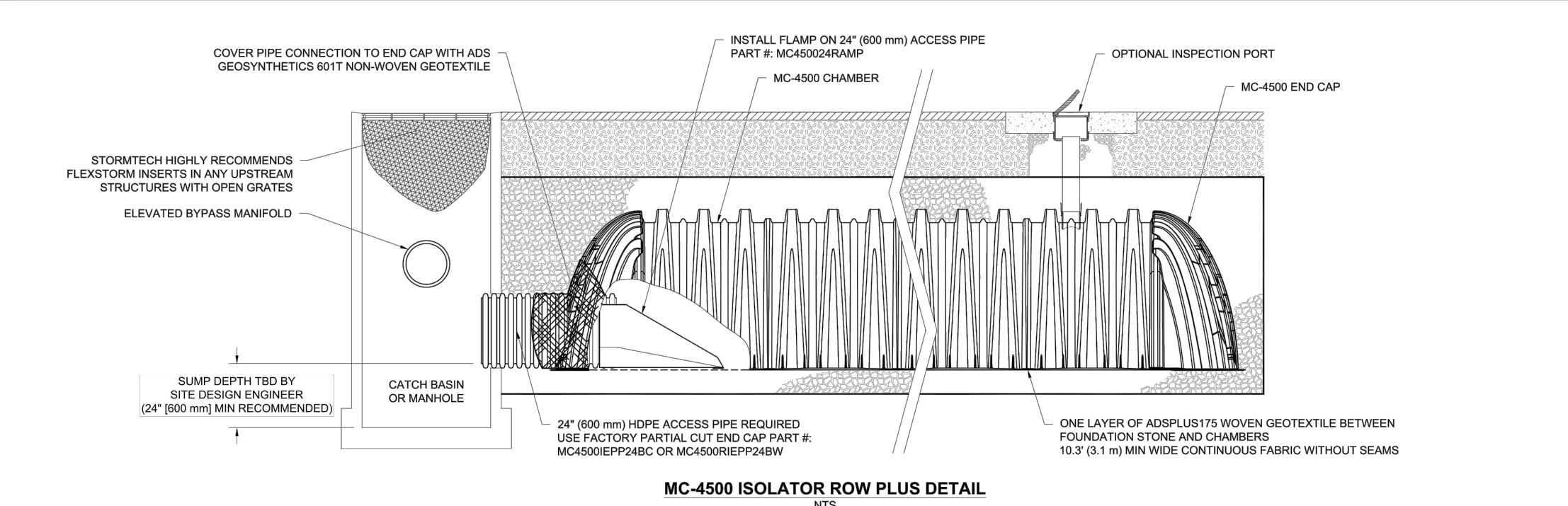
PROJECT # 5298AS

SCALE = 1 : 200

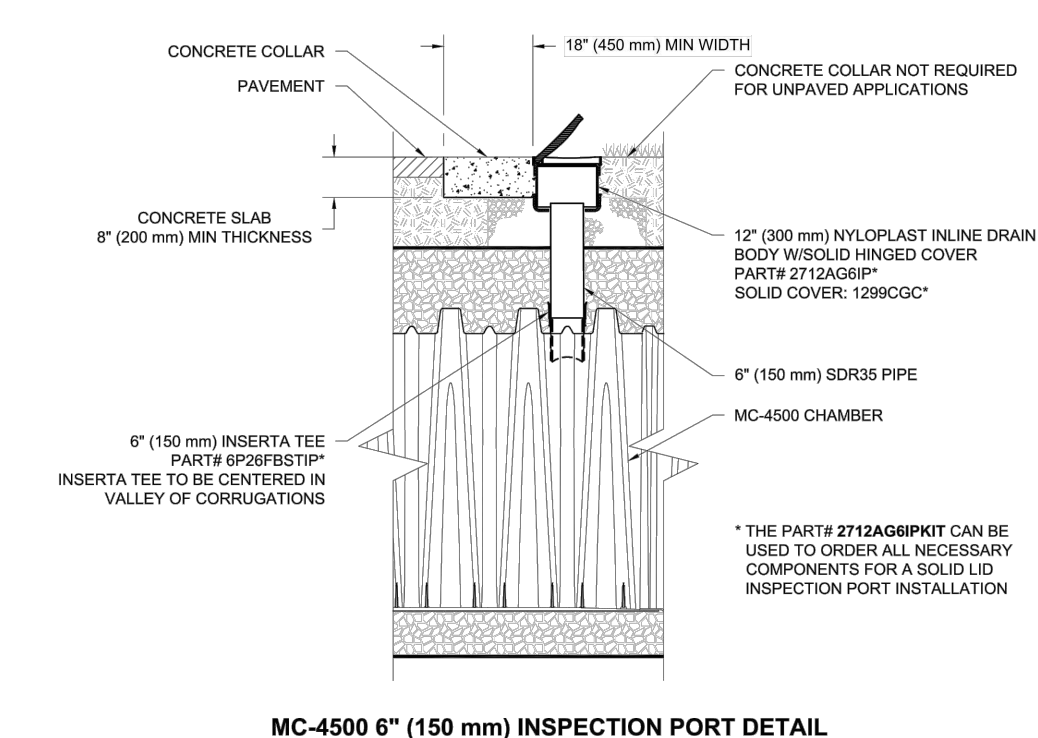
4660 TRUDMAN BLVD  
HELAND, ON L4Z0B  
888-892-2694 | WWW.STORMTECH.COM

StormTech Chamber System

3 SHEET OF 5



- INSPECTION & MAINTENANCE**
- STEP 1) INSPECT ISOLATOR ROW PLUS FOR SEDIMENT
- A. INSPECTION PORTS (IF PRESENT)
- A.1. REMOVE OPEN LID ON NYLOPLAST INLINE DRAIN
- A.2. REMOVE AND CLEAN FLEXSTANCH FILTER IF INSTALLED
- A.3. USING A FLASHLIGHT AND STADIA ROD, MEASURE DEPTH OF SEDIMENT AND RECORD ON MAINTENANCE LOG
- A.4. LOWER A CAMERA INTO ISOLATOR ROW PLUS FOR VISUAL INSPECTION OF SEDIMENT LEVELS (OPTIONAL)
- A.5. IF SEDIMENT IS AT OR ABOVE 3" (80 mm) PROCEED TO STEP 2. IF NOT, PROCEED TO STEP 3.
- B. ALL ISOLATOR PLUS ROWS
- B.1. REMOVE COVER FROM STRUCTURE AT UPSTREAM END OF ISOLATOR ROW PLUS
- B.2. USING A FLASHLIGHT, INSPECT DOWN THE ISOLATOR ROW PLUS THROUGH OUTLET PIPE
- B.3. MIRRORS ON POLES OR CAMERAS MAY BE USED TO AVOID A CONFINED SPACE ENTRY
- B.4. FOLLOW OSHA REGULATIONS FOR CONFINED SPACE ENTRY IF EXTENDING MANHOLE
- IF SEDIMENT IS AT OR ABOVE 3" (80 mm) PROCEED TO STEP 2. IF NOT, PROCEED TO STEP 3.
- STEP 2) CLEAN OUT ISOLATOR ROW PLUS USING THE JET/VAC PROCESS
- A. A FIXED CULVERT CLEANING NOZZLE WITH REAR FACING SPREAD OF 45° (1.1 m) OR MORE IS PREFERRED
- B. APPLY MULTIPLE PASSES OF JET/VAC UNTIL BACKFLUSH WATER IS CLEAN
- C. VACUUM STRUCTURE SUMP AS REQUIRED
- STEP 3) REPLACE ALL COVERS, GRATES, FILTERS, AND LIDS, RECORD OBSERVATIONS AND ACTIONS.
- STEP 4) INSPECT AND CLEAN BASINS AND MANHOLES UPSTREAM OF THE STORMTECH SYSTEM.



- NOTES**
- INSPECT EVERY 6 MONTHS DURING THE FIRST YEAR OF OPERATION. ADJUST THE INSPECTION INTERVAL BASED ON PREVIOUS OBSERVATIONS OF SEDIMENT ACCUMULATION AND HIGH WATER ELEVATIONS.
  - CONDUCT JETTING AND VACUUMING ANNUALLY OR WHEN INSPECTION SHOWS THAT MAINTENANCE IS NECESSARY.

2396 CLEROUX CRESCENT  
OTTAWA, ON.

DATE: 12/20/21 DRAWN: MAD CHECKED: RWD

PROJECT # 5298AS

SCALE = 1 : 200

4660 TRUDMAN BLVD  
HELAND, ON L4Z0B  
888-892-2694 | WWW.STORMTECH.COM

StormTech Chamber System

4 SHEET OF 5

### ENGINEERING STAMP



#	ISSUED AS PER CITY COMMENTS	DATE
#1	ISSUED FOR SPA	05/06/2022
#2	ISSUED FOR SPA	04/02/2022
#3	ISSUED FOR SPA	19/03/2021
NO. REVISION	DATE (DDMMYYYY)	

**BLANCHARD LETENDRE ENGINEERING**

767, Notre Dame, Local 42, Embrun, Ontario,  
(613) 693-0700 K0A 1R1 blingengineering.ca

**CLIENT:**  
BRIDOR DEVELOPMENTS  
996-B ST. AUGUSTIN RD.  
EMBRUN, ON

**PROJECT:**  
NEW RESIDENTIAL DEVELOPMENT  
2396 CLEROUX CRES,  
OTTAWA, ON

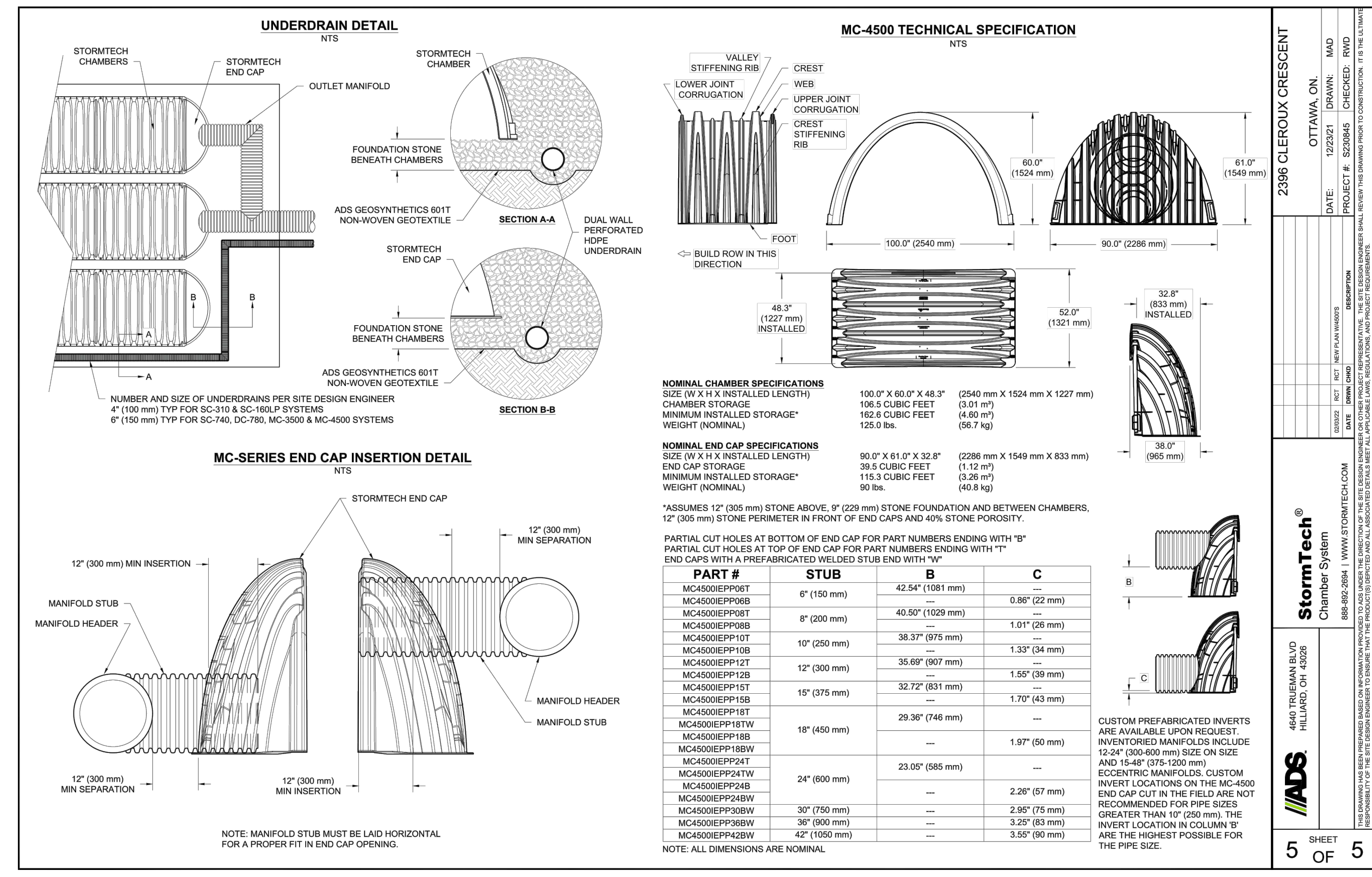
**DRAWING:**  
DETAILS - 1

PAPER FORMAT:	24x36	PAGE:	
DRAWN BY:	BF + GB	CHECKED BY:	GB
DATE:	02-2022	SCALE:	
PROJECT NUMBER:	20-305		

C500



COPYRIGHT RESERVED  
 THE CONTRACTOR SHALL VERIFY AND BE RESPONSIBLE OF ALL DIMENSIONS. DO NOT SCALE THE DRAWING. ANY ERRORS OR OMISSIONS SHALL BE REPORTED TO BLANCHARD LETENDRE ENGINEERING LTD. WITHOUT DELAY. THE CONTRACTOR'S ALL DESIGN AND DRAWINGS ARE THE PROPERTY OF BLANCHARD LETENDRE ENGINEERING LTD. REPRODUCTION OR USE FOR ANY PURPOSE OTHER THAN THAT AUTHORIZED BY BLANCHARD LETENDRE ENGINEERING LTD. IS STRICTLY PROHIBITED.

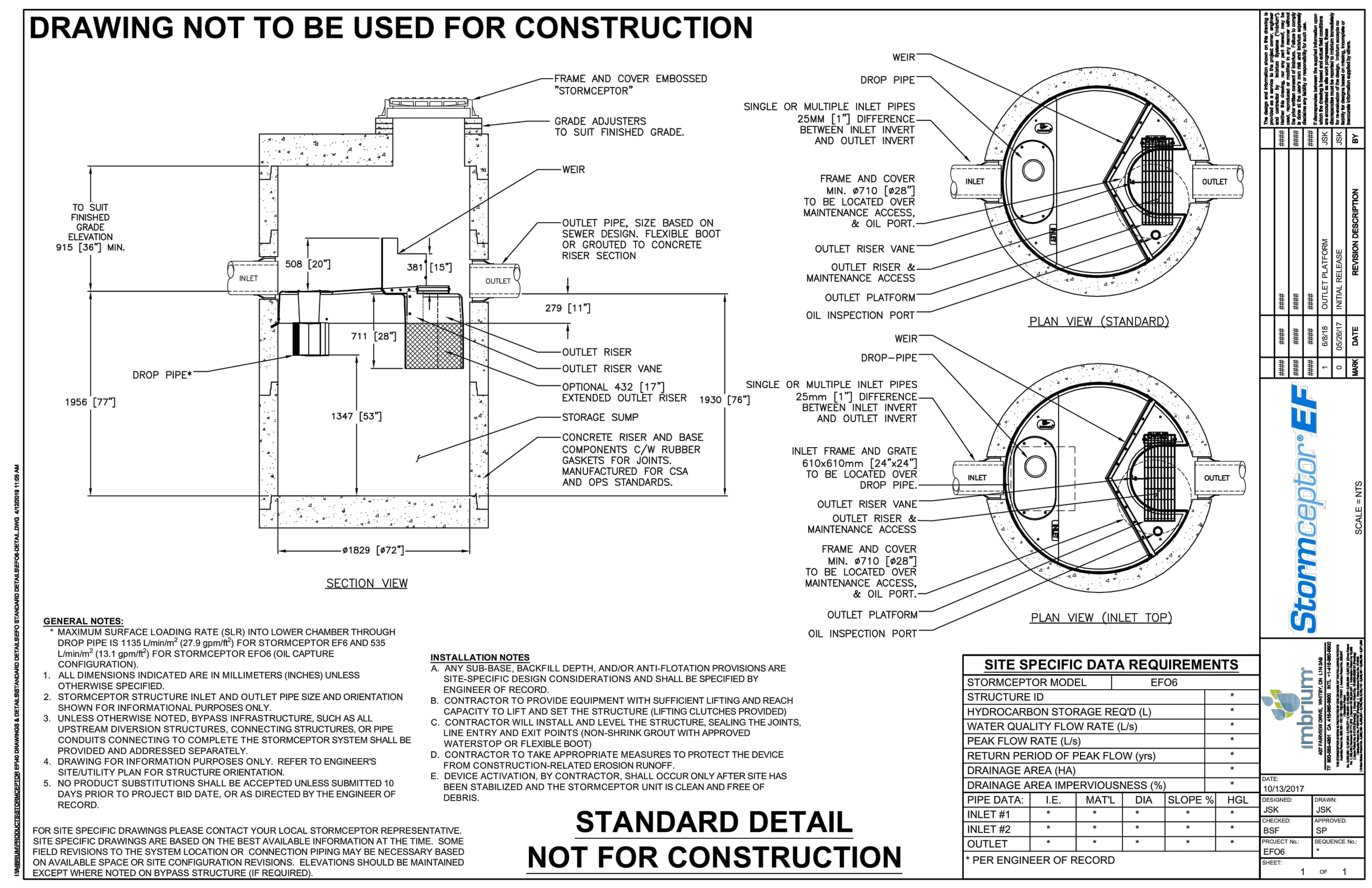


2396 CLEROUX CRESCENT  
 OTTAWA, ON.  
 DATE: 02/23/2022  
 PROJECT #: 2020005  
 CHECKED BY: RMD  
 DRAWN BY: BF+GB  
 REVISIONS:  
 NO. DATE BY DESCRIPTION  
 1 02/23/2022 BF+GB  
 2 02/23/2022 BF+GB  
 3 02/23/2022 BF+GB  
 4 02/23/2022 BF+GB  
 5 02/23/2022 BF+GB

StormTech®  
 Stormceptor®  
 4840 TREEMAN BLVD  
 FREDERICTON, NB  
 CANADA E3B 6M9  
 TEL: 506-753-1111  
 FAX: 506-753-1112  
 WWW.STORMTECH.COM

ADS  
 4840 TREEMAN BLVD  
 FREDERICTON, NB  
 CANADA E3B 6M9  
 TEL: 506-753-1111  
 FAX: 506-753-1112  
 WWW.ADS-ENVIRONMENTAL.COM

5 SHEET  
 OF 5



Stormceptor® EF  
 imbitum  
 4840 TREEMAN BLVD  
 FREDERICTON, NB  
 CANADA E3B 6M9  
 TEL: 506-753-1111  
 FAX: 506-753-1112  
 WWW.STORMTECH.COM

SCALE: 1:1

**ENGINEERING STAMP**

LICENSED PROFESSIONAL ENGINEER  
 G. L. BRUNET  
 100191036  
 20/11/2021  
 PROVINCE OF ONTARIO

NO.	REVISION	DATE (DDMMYYYY)
#3	ISSUED AS PER CITY COMMENTS	05/06/2022
#2	ISSUED FOR SPA	04/02/2022
#1	ISSUED FOR SPA	19/03/2021

**BLANCHARD LETENDRE ENGINEERING**  
 767, Notre Dame, Local 42, Embrun, Ontario,  
 (613) 693-0700 K0A 1R1 blngengineering.ca

**CLIENT:**  
 BRIDOR DEVELOPMENTS  
 996-B ST. AUGUSTIN RD.  
 EMBRUN, ON

**PROJECT:**  
 NEW RESIDENTIAL DEVELOPMENT  
 2396 CLEROUX CRES,  
 OTTAWA, ON

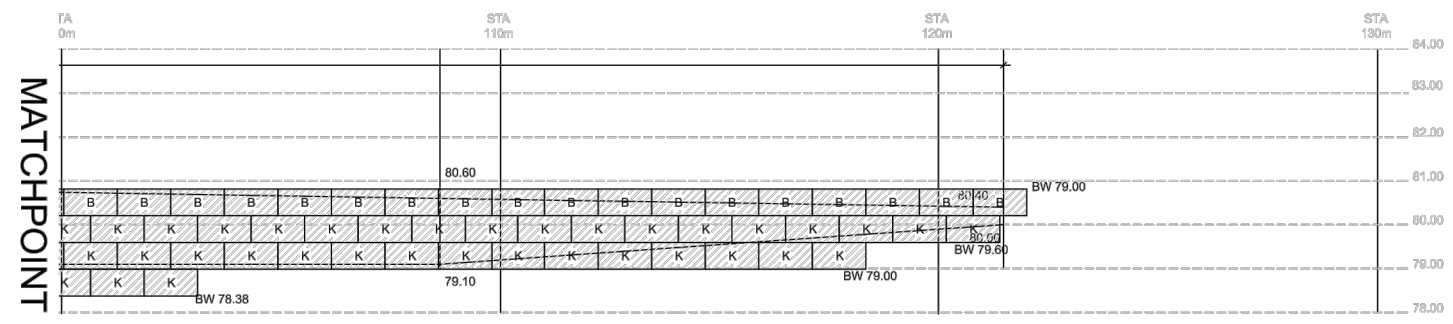
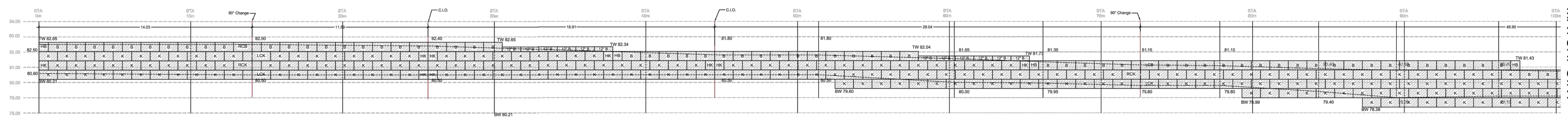
**DRAWING:**  
 DETAILS - 1

PAPER FORMAT: 24x36  
 DRAWN BY: BF + GB  
 CHECKED BY: GB  
 DATE: 02-2022  
 SCALE:  
 PROJECT NUMBER: 20-305

**PAGE:**  
 C501



**COPYRIGHT RESERVED**  
 THE CONTRACTOR SHALL VERIFY AND BE RESPONSIBLE OF ALL DIMENSIONS. DO NOT SCALE THE DRAWING. ANY ERRORS OR OMISSIONS SHALL BE REPORTED TO BLANCHARD LETENDRE ENGINEERING LTD. WITHOUT DELAY. THE CONTRACTOR SHALL LEASE AND DRAWINGS ARE THE PROPERTY OF BLANCHARD LETENDRE ENGINEERING LTD. REPRODUCTION OR USE FOR ANY PURPOSE OTHER THAN THAT AUTHORIZED BY BLANCHARD LETENDRE ENGINEERING LTD. IS STRICTLY PROHIBITED.



MATCHPOINT

MATCHPOINT

NO.	DATE	DESCRIPTION

**REVISIONS ISSUED:**

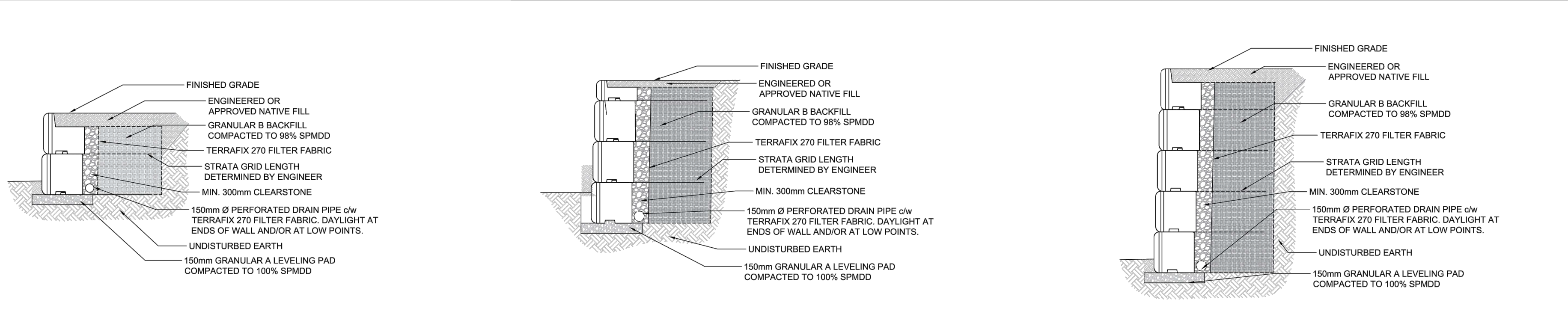
THIS DRAWING IS FOR CONSTRUCTION ONLY. IT IS NOT TO BE COPIED OR REPRODUCED IN ANY MANNER WITHOUT THE WRITTEN CONSENT OF THE ENGINEER. THIS DRAWING IS NOT TO BE USED FOR CONSTRUCTION UNLESS APPROVED BY THE ENGINEER. ALL WORK IS TO BE DONE IN ACCORDANCE WITH THE CANADIAN CODES AND ALL APPLICABLE REGULATIONS. THE ENGINEER DOES NOT GUARANTEE THE ACCURACY OF THE INFORMATION PROVIDED IN THIS DRAWING. THE CONTRACTOR SHALL VERIFY AND BE RESPONSIBLE OF ALL DIMENSIONS. DO NOT SCALE THE DRAWING. ANY ERRORS OR OMISSIONS SHALL BE REPORTED TO BLANCHARD LETENDRE ENGINEERING LTD. WITHOUT DELAY. THE CONTRACTOR SHALL LEASE AND DRAWINGS ARE THE PROPERTY OF BLANCHARD LETENDRE ENGINEERING LTD. REPRODUCTION OR USE FOR ANY PURPOSE OTHER THAN THAT AUTHORIZED BY BLANCHARD LETENDRE ENGINEERING LTD. IS STRICTLY PROHIBITED.

100 MATHESON BLVD. S. UNIT #201,  
 MISSISSAUGA, ON L4Z 1A7  
 Phone: (905) 845-0532  
 Fax: (905) 273-9012



4765 16TH BIRCHDALE  
 KING, ON L7B 4E4  
 Phone: (905) 864-9608  
 Fax: (905) 864-9818

PROJECT:	OLIGO DEVELOPMENTS
LOCATION:	996-B ST. AUGUSTIN RD. EMBRUN, ON
DRAWING DESCRIPTION:	ELEVATION, CROSS SECTIONS, & LAYOUT
REFERENCE:	BASED ON INFORMATION FOUND ON GRADING PLANS ISSUED TO CONTRACTOR BY: BF@DATE:02-2021
DRAWN BY:	DS
CHECKED BY:	
DATE STARTED:	2021-02-26
PROJECT NO.:	EST12897
SHEET NO.:	1



**DNM Stone Terra™ PRELIMINARY BLOCK COUNT**

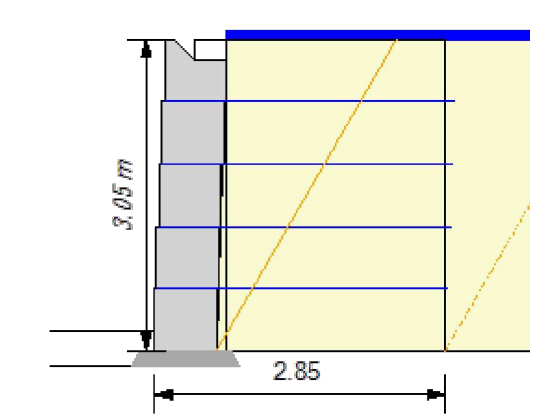
12" BENCH	12'B	12
FULL BENCH	B	83
HALF BENCH	HB	4
LEFT BENCH	LCB	1
RIGHT BENCH	RCB	1
12" KEYED	12'K	0
FULL KEYED	K	254
HALF KEYED	HK	9
LEFT KEYED	LCK	3
RIGHT KEYED	RCK	2
SG350 - 5 ROLLS		

- GENERAL NOTES:**
- THE FOLLOWING NOTES SHALL GOVERN UNLESS NOTED OTHERWISE ON THE DRAWINGS.
  - THESE DRAWINGS ARE TO BE READ IN CONJUNCTION WITH ALL PROJECT DRAWINGS AND CONTRACT DOCUMENTS.
  - PRIOR TO COMMENCING WORK THE CONTRACTOR WILL VERIFY ALL MEASUREMENTS AND CONDITIONS ON SITE AND REPORT TO THE ENGINEER ANY DISCREPANCIES OR UNSATISFACTORY CONDITIONS THAT MAY AFFECT THE PROPER COMPLETION OF WORK.
  - SEE FIELD CONSTRUCTION MANUAL FOR INSTALLATION DETAILS.
  - DRAWINGS ARE METRIC AND NOT TO BE SCALED.
  - OUTSIDE CURVES WILL REQUIRE BACKS OF BLOCKS TO BE TRIMMED.
  - CONTRACTORS CONSTRUCTION LOADS MUST NOT EXCEED THE ABOVE DESIGN LOADS. DESIGN LOADS MAY ONLY BE APPLIED AFTER THE WALL HAS BEEN INSTALLED AND APPROVED.
- SOIL AND BACKFILL:**
- SPECIFIED SOIL BEARING CAPACITY MUST BE VERIFIED BY A GEOTECHNICAL ENGINEER PRIOR TO COMMENCING CONSTRUCTION OF THE FOUNDATION. CONDITIONS FOUND TO BE UNSATISFACTORY IN BEARING CAPACITY MUST BE REPORTED TO THE PROJECT GEOTECHNICAL ENGINEER.
  - FOUNDATIONS MUST BEAR ON SUITABLE MATERIAL.
  - BACKFILL TO BE INSTALLED AND COMPACTED IN LIFTS NOT GREATER THAN 200mm WHERE HEAVY EQUIPMENT IS USED AND 150mm WHERE HAND OPERATED EQUIPMENT IS USED. HAND OPERATED EQUIPMENT MUST BE USED WHEN WITHIN 1m OF THE WALL.



**REA Analysis**

Project: Olgin Development  
 Location: Ottawa  
 Designer: ds  
 Date: 2021-02-26  
 Section: Section 1  
 Design Method: CAN\_CSA\_S6  
 Design Unit: StoneTerra



**SOIL PARAMETERS**

Parameter	φ	coh	γ
Reinforced Soil:	30 deg	0.00 kNpsm	18.85 kNpcm
Retained Soil:	30 deg	0.00 kNpsm	18.85 kNpcm
Foundation Soil:	30.00 deg	0.00 kNpsm	18.85 kNpcm
Leveling Pad:	Crushed Stone		

**GEOMETRY**

Design Height:	3.05 m	Live Load:	2.40 kNpsm
Wall Batter/Tilt:	2.4/ 0.00 deg	Live Load Offset:	0.00 m
Embedment:	0.20 m	Live Load Width:	6.00 m
Leveling Pad Depth:	0.15 m	Dead Load:	0.00 kNpsm
Slope Angle:	0.0 deg	Dead Load Offset:	0.0 m
Slope Length:	0.0 m	Dead Load Width:	0.00 m
Slope Toe Offset:	0.0 m	Leveling Pad Width:	0.91 m



**RESULTS**

CDR Sliding:	1.54 (fn)	CDR Bearing:	3.61
Eccentricity (e/L):	0.13	Bearing:	83.09; srvc 71.37
FoS Connection:	1.68		

ID	Height	Length	Geogrid	Ta (Ta/R)	% Cvr	EP (Pa)	LL (Pa)	DL (Pa)	Tmax	CDR Str	Tallow	Cn	CDR Pk	CDR POI	CDR Slg	Grid
1	2.44	2.85	SG350	32.04	100	3.30	1.25	0.00	4.54	7.05	11.31	2.49	1.74(3.30)	93.20	0.93	
2	1.83	2.85	SG350	32.04	100	5.85	0.83	0.00	6.68	4.80	15.62	2.34	2.64(5.85)	29.74	1.26	
3	1.22	2.85	SG350	32.04	100	8.77	0.83	0.00	9.59	3.34	19.93	2.08	3.33(8.77)	14.87	1.59	
4	0.61	2.85	SG350	32.04	100	11.68	0.83	0.00	12.51	2.56	21.06	1.68	2.74(11.68)	9.07(1.54)	1.91	

Column Descriptions:  
 Ta: allowable geogrid strength  
 Rc %: percent coverage for geosynthetics  
 EP (Pa) internal active earth pressure  
 LL (Pa) earth pressure due to live load surcharge  
 DL (Pa) earth pressure due to dead load surcharge  
 Tmax maximum earth pressure on geosynthetic layer  
 FSstr factor of safety on geogrid strength (Ta/Tmax)  
 Ta on allowable tension on the connection  
 FS Pkon, factor of safety on the connection (Ta cni/Tmax)  
 FS PO, factor of safety on pullout (Ta pullout/(Tmax - LL)  
 Grid Embedment, depth of embedment beyond the theoretical failure plane.

**ENGINEERING STAMP**



#3	ISSUED AS PER CITY COMMENTS	05/06/2022
#2	ISSUED FOR SPA	04/02/2022
#1	ISSUED FOR SPA	19/03/2021
NO.	REVISION	DATE (DDMMYYYY)

**BLANCHARD LETENDRE ENGINEERING**  
 767, Notre Dame, Local 42, Embrun, Ontario,  
 (613) 693-0700 K0A 1R1 blngengineering.ca

**CLIENT:**  
**BRIDOR DEVELOPMENTS**  
 996-B ST. AUGUSTIN RD.  
 EMBRUN, ON

**PROJECT:**  
**NEW RESIDENTIAL DEVELOPMENT**  
 2396 CLEROUX CRES,  
 OTTAWA, ON

**DRAWING:**  
**DETAILS - 1**

PAPER FORMAT:	24x36	PAGE:	5
DRAWN BY:	BF + GB		
CHECKED BY:	GB		
DATE:	02-2022		
SCALE:			
PROJECT NUMBER:	20-305		